



HOVER

HMG20C5SB

HMG20C5SB-80

MICROWAVE OVENS
USER INSTRUCTIONS

GB

FOUR À MICRO-ONDES
MANUEL D'INSTRUCTIONS

FR

Microwave Oven
INSTRUCTION MANUAL
MODEL:HMG20C5SB
HMG20C5SB-80

Read these instructions carefully before using your microwave oven, and keep it carefully.

If you follow the instructions, your oven will provide you with many years of good service.

SAVE THESE INSTRUCTIONS CAREFULLY

PRECAUTIONS TO AVOID POSSIBLE EXPOSURE TO EXCESSIVE MICROWAVE ENERGY

(a) Do not attempt to operate this oven with the door open since this can result in harmful exposure to microwave energy. It is important not to break or tamper with the safety interlocks.

(b) Do not place any object between the oven front face and the door or allow soil or cleaner residue to accumulate on sealing surfaces.

(c) **WARNING:** If the door or door seals are damaged, the oven must not be operated until it has been repaired by a competent person.

ADDENDUM

If the apparatus is not maintained in a good state of cleanliness, its surface could be degraded and affect the lifespan of the apparatus and lead to a dangerous situation.

Specifications

Model:	HMG20C5SB HMG20C5SB-80
Rated Voltage:	230V~ 50Hz
Rated Input Power(Microwave):	1270W
Rated Output Power(Microwave):	800W
Rated Input Power(Grill):	1000W

IMPORTANT SAFETY INSTRUCTIONS

WARNING

To reduce the risk of fire, electric shock, injury to persons or exposure to excessive microwave oven energy when using your appliance, follow basic precautions, including the following:

1. Warning: Liquids and other foods must not be heated in sealed containers since they are liable to explode.
2. Warning: It is hazardous for anyone other than a competent person to carry out any service or repair operation that involves the removal of a cover which gives protection against exposure to microwave energy.
3. This appliance can be used by children aged from 8 years and above and persons with reduced physical, sensory or mental capabilities or lack of experience and knowledge if they have been given supervision or instruction concerning use of the appliance in a safe way and understand the hazards involved. Children shall not play with the appliance. Cleaning and user maintenance shall not be made by children unless they are older than 8 and supervised.
4. Keep the appliance and its cord out of reach of children less than 8 years.
5. Only use utensils that are suitable for use in microwave ovens.
6. The oven should be cleaned regularly and any food deposits should be removed.
7. Read and follow the specific: "PRECAUTIONS TO AVOID POSSIBLE EXPOSURE TO EXCESSIVE MICROWAVE ENERGY".
8. When heating food in plastic or paper containers,

- keep an eye on the oven due to the possibility of ignition.
9. If smoke is emitted, switch off or unplug the appliance and keep the door closed in order to stifle any flames.
 10. Do not overcook food.
 11. Do not use the oven cavity for storage purposes. Do not store items, such as bread, cookies, etc. inside the oven.
 12. Remove wire twist-ties and metal handles from paper or plastic containers/bags before placing them in the oven.
 13. Install or locate this oven only in accordance with the installation instructions provided.
 14. Eggs in their shell and whole hard-boiled eggs should not be heated in microwave ovens since they may explode, even after microwave heating has ended.
 15. This appliance is intended to be used in household and similar applications such as:
 - staff kitchen areas in shops, offices and other working environments;
 - by clients in hotels, motels and other residential type environments;
 - farm houses;
 - bed and breakfast type environments.
 16. If the supply cord is damaged, it must be replaced by the manufacturer, its service agent or similarly qualified persons in order to avoid a hazard.
 17. Do not store or use this appliance outdoors.
 18. Do not use this oven near water, in a wet basement or near a swimming pool.
 19. The temperature of accessible surfaces may be high when the appliance is operating. The surfaces are liable to get hot during use. Keep cord away from heated

surface, and do not cover any vents on the oven.

20. Do not let cord hang over edge of table or counter.

21. Failure to maintain the oven in a clean condition could lead to deterioration of the surface that could adversely affect the life of the appliance and possibly result in a hazardous situation.

22. The contents of feeding bottles and baby food jars shall be stirred or shaken and the temperature checked before consumption, in order to avoid burns.

23. Microwave heating of beverages can result in delayed eruptive boiling, therefore care must be taken when handling the container.

24. The appliance is not intended for use by persons (including children) with reduced physical, sensory or mental capabilities, or lack of experience and knowledge, unless they have been given supervision or instruction concerning use of the appliance by a person responsible for their safety.

25. Children should be supervised to ensure that they do not play with the appliance.

26. The appliances are not intended to be operated by means of an external timer or separate remote-control system.

27. Accessible parts may become hot during use. Young children should be kept away.

28. Steam cleaner is not to be used.

29. During use the appliance becomes hot. Care should be taken to avoid touching heating elements inside the oven.

30. Only use the temperature probe recommended for this oven. (for ovens provided with a facility to use a

temperature-sensing probe.)

31. **WARNING:** The appliance and its accessible parts become hot during use. Care should be taken to avoid touching heating elements. Children less than 8 years of age shall be kept away unless continuously supervised.

32. The microwave oven must be operated with the decorative door open. (for ovens with a decorative door.)

33. Surface of a storage drawer can get hot.

34. The microwave oven is intended for heating food and beverages. Drying of food or clothing and heating of warming pads, slippers, sponges, damp cloth and similar may lead to risk of injury, ignition or fire.

35. Metallic containers for food and beverages are not allowed during microwave cooking.

36. The appliance shall not be cleaned with a steam cleaner.

37. Care should be taken not to displace the turntable when removing containers from the appliance.

38. The appliance must not be installed behind a decorative door in order to avoid overheating.

39. **WARNING:** When the appliance is operated in the combination mode, children should only use the oven under adult supervision due to the temperatures generated.

READ CAREFULLY AND KEEP FOR FUTURE REFERENCE

To Reduce the Risk of Injury to Persons Grounding Installation

DANGER

Electric Shock Hazard
Touching some of the internal components can cause serious personal injury or death. Do not disassemble this appliance.

WARNING

Electric Shock Hazard Improper use of the grounding can result in electric shock. Do not plug into an outlet until appliance is properly installed and grounded.

This appliance must be grounded. In the event of an electrical short circuit, grounding reduces the risk of electric shock by providing an escape wire for the electric current. This appliance is equipped with a cord having a grounding wire with a grounding plug. The plug must be plugged into an outlet that is properly installed and grounded.

Consult a qualified electrician or serviceman if the grounding instructions are not completely understood or if doubt exists as to whether the appliance is properly grounded. If it is necessary to use an extension cord, use only a 3-wire extension cord.

1. A short power-supply cord is provided to reduce the risks resulting from becoming entangled in or tripping over a longer cord.
2. If a long cord set or extension cord is used:
 - 1)The marked electrical rating of the cord set or extension cord should be at least as great as the electrical rating of the appliance.
 - 2)The extension cord must be a grounding-type 3-wire cord.
 - 3)The long cord should be arranged so that it will not drape over the counter top or tabletop where it can be pulled on by children or tripped over unintentionally.

CLEANING

Be sure to unplug the appliance from the power supply.

1. Clean the cavity of the oven after using with a slightly damp cloth.
2. Clean the accessories in the usual way in soapy water.
3. The door frame and seal and neighbouring parts must be cleaned carefully with a damp cloth when they are dirty.
4. Do not use harsh abrasive cleaners or sharp metal scrapers to clean the oven door glass since they can scratch the surface, which may result in shattering of the glass.
5. **Cleaning Tip**---For easier cleaning of the cavity walls that the food cooked can touch: Place half a lemon in a bowl, add 300ml (1/2 pint) water and heat on 100% microwave power for 10 minutes. Wipe the oven clean using a soft, dry cloth.

UTENSILS

CAUTION

Personal Injury Hazard

It is hazardous for anyone other than a competent person to carry out any service or repair operation that involves the removal of a cover which gives protection against exposure to microwave energy.

See the instructions on "Materials you can use in microwave oven or to be avoided in microwave oven." There may be certain non-metallic utensils that are not safe to use for microwaving. If in doubt, you can test the utensil in question following the procedure below.

Utensil Test:

1. Fill a microwave-safe container with 1 cup of cold water (250ml) along with the utensil in question.
2. Cook on maximum power for 1 minute.
3. Carefully feel the utensil. If the empty utensil is warm, do not use it for microwave cooking.
4. Do not exceed 1 minute cooking time.

Materials you can use in microwave oven

Utensils	Remarks
Browning dish	Follow manufacturer's instructions. The bottom of browning dish must be at least 3/16 inch (5mm) above the turntable. Incorrect usage may cause the turntable to break.
Dinnerware	Microwave-safe only. Follow manufacturer's instructions. Do not use cracked or chipped dishes.
Glass jars	Always remove lid. Use only to heat food until just warm. Most glass jars are not heat resistant and may break.
Glassware	Heat-resistant oven glassware only. Make sure there is no metallic trim. Do not use cracked or chipped dishes.
Oven cooking bags	Follow manufacturer's instructions. Do not close with metal tie. Make slits to allow steam to escape.
Paper plates and cups	Use for short-term cooking/warming only. Do not leave oven unattended while cooking.
Paper towels	Use to cover food for reheating and absorbing fat. Use with supervision for a short-term cooking only.
Parchment paper	Use as a cover to prevent splattering or a wrap for steaming.
Plastic	Microwave-safe only. Follow the manufacturer's instructions. Should be labeled "Microwave Safe". Some plastic containers soften, as the food inside gets hot. "Boiling bags" and tightly closed plastic bags should be slit, pierced or vented as directed by package.
Plastic wrap	Microwave-safe only. Use to cover food during cooking to retain moisture. Do not allow plastic wrap to touch food.
Thermometers	Microwave-safe only (meat and candy thermometers).
Wax paper	Use as a cover to prevent splattering and retain moisture.

Materials to be avoided in microwave oven

Utensils	Remarks
Aluminum tray	May cause arcing. Transfer food into microwave-safe dish.
Food carton with metal handle	May cause arcing. Transfer food into microwave-safe dish.
Metal or metal-trimmed utensils	Metal shields the food from microwave energy. Metal trim may cause arcing.
Metal twist ties	May cause arcing and could cause a fire in the oven.
Paper bags	May cause a fire in the oven.
Plastic foam	Plastic foam may melt or contaminate the liquid inside when exposed to high temperature.
Wood	Wood will dry out when used in the microwave oven and may split or crack.

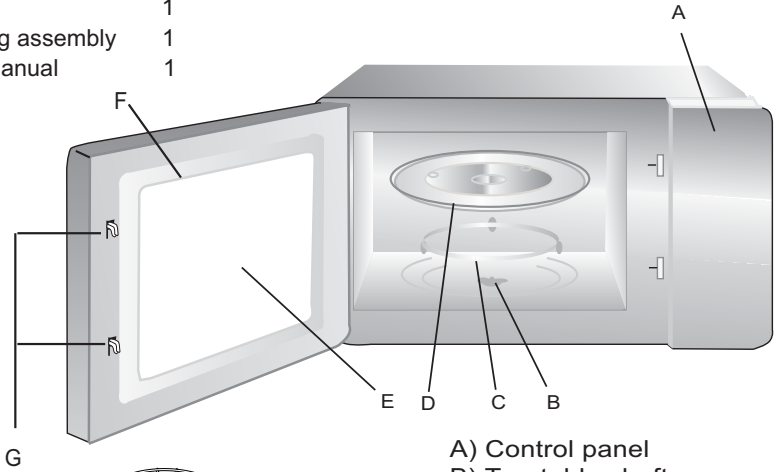
SETTING UP YOUR OVEN

Names of Oven Parts and Accessories

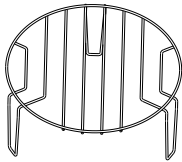
Remove the oven and all materials from the carton and oven cavity.

Your oven comes with the following accessories:

- Glass tray 1
- Turntable ring assembly 1
- Instruction Manual 1

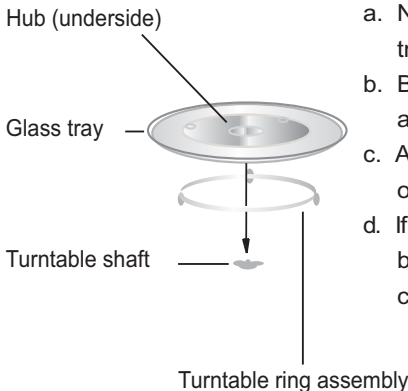


- A) Control panel
- B) Turntable shaft
- C) Turntable ring assembly
- D) Glass tray
- E) Observation window
- F) Door assembly
- G) Safety interlock system



Grill Rack(Only be used in grill function and be placed on the glass tray)

Turntable Installation



- a. Never place the glass tray upside down. The glass tray should never be restricted.
- b. Both glass tray and turntable ring assembly must always be used during cooking.
- c. All food and containers of food are always placed on the glass tray for cooking.
- d. If glass tray or turntable ring assembly cracks or breaks, contact your nearest authorized service center.

Installation and connection

1. This appliance is only intended for domestic use.
2. This oven is intended for built-in use only. It is not intended for counter-top use or for use inside a cupboard.
3. Please observe the special installation instructions.
4. The appliance can be installed in a 60cm wide wall-mounted cupboard.
5. The appliance is fitted with a plug and must only be connected to a properly installed earthed socket.
6. The mains voltage must correspond to the voltage specified on the rating plate.
7. The socket must be installed and connecting cable must only be replaced by a qualified electrician. If the plug is no longer to accessible following installation, an all-pole disconnecting device must be present on the installation side with a contact gap of at least 3mm.
8. Adapters, multi-way strips and extension leads must not be used. Overloading can result in a risk of fire.

The accessible surface may be hot during operation.



Installation Instruction

The following must be noted

Electrical connection

The appliance is fitted with a plug and must only be connected to a properly installed earthed socket. Only a qualified electrician who takes the appropriate regulations into account may install the socket or replace the connecting cable. If the plug is no longer accessible following installation, an all-pole isolating switch must be present on the installation side with a contact gap of at least 3 mm. Contact protection must be ensured by the installation.

Fitted units

The installation cabinet must not have a back panel behind the appliance. Minimum installation height: 850 mm.

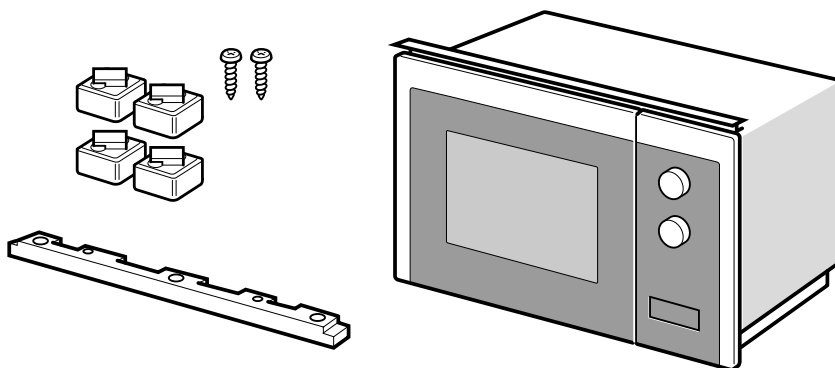
Ventilation slots and intakes must not be covered.

Appliance in a wall-hanging unit - Fig. 1A

Appliance in a tall unit - Fig.1B

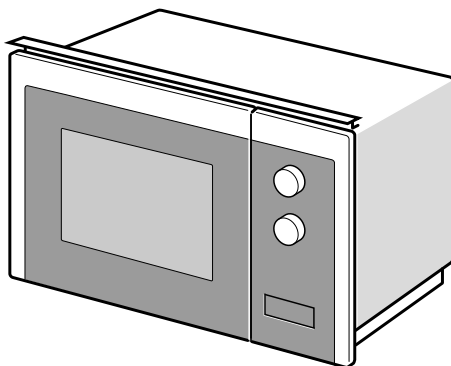
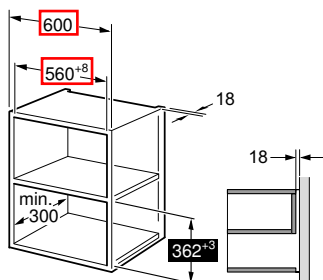
Installing the oven - Fig. 2

Note: Do not trap or kink the mains lead.

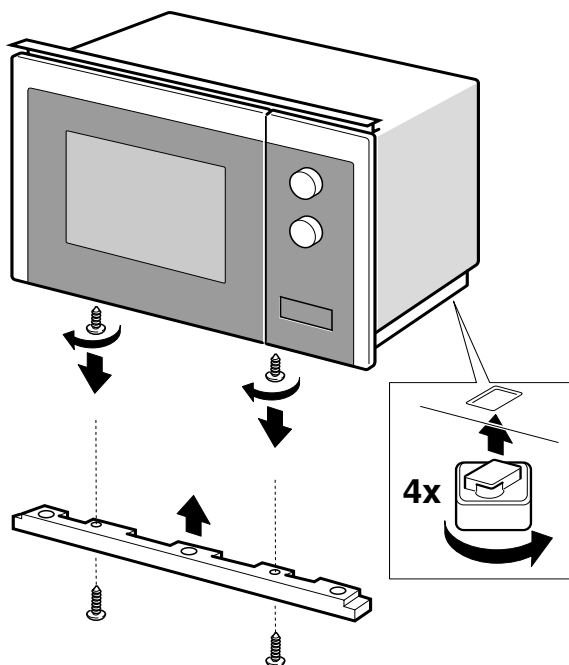
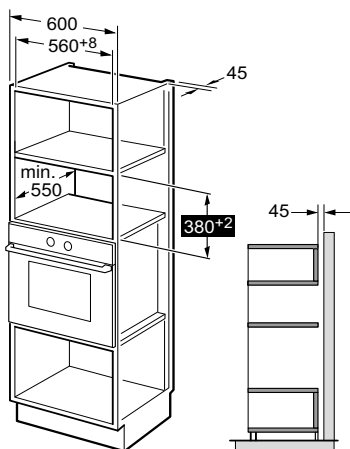


1

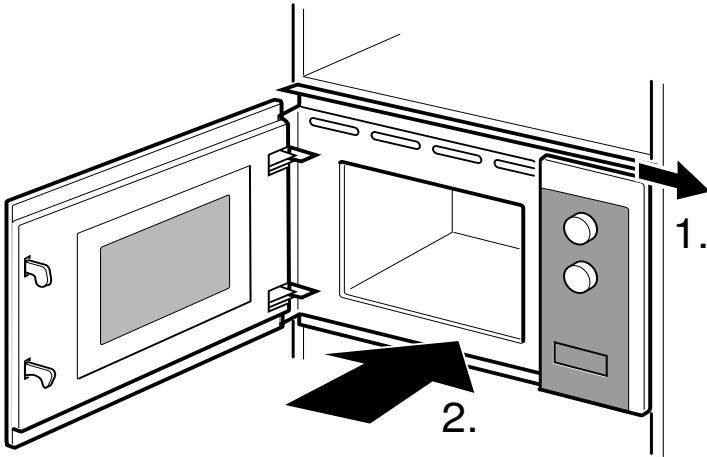
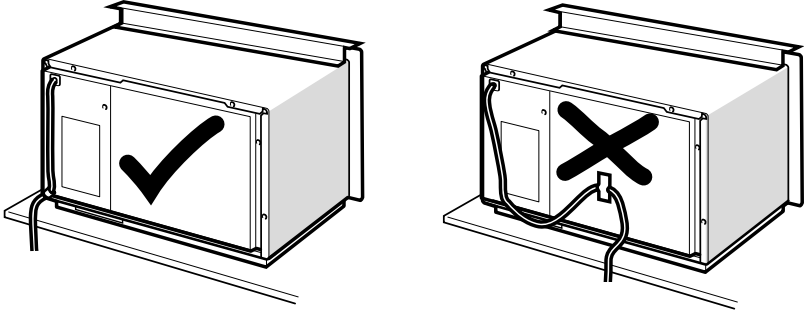
A

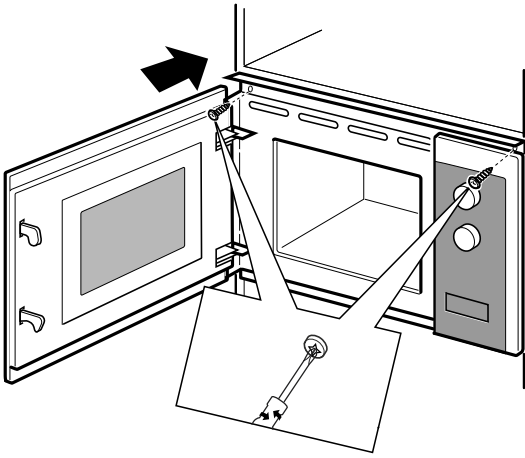


B

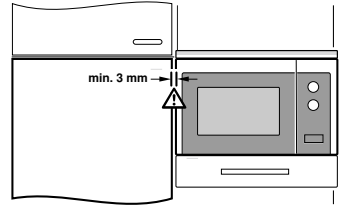


2





3.



OPERATION INSTRUCTION

This microwave oven uses modern electronic control to adjust cooking parameters to meet your needs better for cooking.

1. Clock Setting

When the microwave oven is electrified, the oven will display "0:00", buzzer will ring once. The oven will enter to waiting state.

- 1) Press "Duration" twice, the hour figures will flash;
- 2) Press " - " or " + " to adjust the hour figures, the input time should be within 0--23.
- 3) Press "Duration" to confirm, the minute figures will flash.
- 4) Turn " - " or " + " to adjust the minute figures, the input time should be within 0--59.
- 5) Press "Duration" to finish clock setting.
 ":" will flash. The current time will display.

Note: If the clock is not set, it would not function when powered.

2. Microwave Cooking

- 1) Press the "Microwave" key once, and "P100" will display.
- 2) Press "Microwave" repeatedly or press " - " or " + " to select the microwave power.
 "P100", "P80", "P50", "P30", "P10" will display in order.
- 3) Press "Start | + 30" | Confirm" to confirm setting.
- 4) Press " - " or " + " to adjust the cooking time.
 (The maximum cooking time is 95 minutes)
- 5) Press "Start | + 30" | Confirm" to start cooking.

NOTE: the step quantities for the adjustment time of the coding switch are as follow:

- 0---1 min : 5 seconds
- 1---5 min : 10 seconds
- 5---10 min : 30 seconds
- 10---30 min : 1 minute
- 30---95 min : 5 minutes

Microwave Power Chart

Microwave Power	High	Med.High	Med.	Med.Low	Low
Display	P100	P80	P50	P30	P10

3. Grill or Combi. Cooking

Press "Grill Combi" once, the screen will display "G", and press "Grill Combi" repeatedly or press " - " or " + " to choose the power you want, and "G","C-1" or "C-2" will display. Press "Start | + 30" | Confirm " to confirm the power. Press " - " or " + " to set cooking time. (The maximum cooking time is 95 minutes) Press "Start | + 30" | Confirm " again to start cooking.

Example: If you want to use 55% microwave power and 45% grill power(C-1) to cook for 10 minutes, you can operate the oven as the following steps.

- 1) Press "Grill Combi" once, the screen displays "G".
- 2) Continue to press "Grill Combi" until the screen displays "C-1".
- 3) Press "Start | + 30" | Confirm " to confirm.
- 4) Press " - " or " + " to adjust the cooking time until the oven displays "10:00".
- 5) Press "Start | + 30" | Confirm " to start cooking.

Combination Power instructions:

Program	Display	Microwave Power	Grill Power
Grill	G	0%	100%
Combi.1	C-1	55%	45%
Combi.2	C-2	36%	64%

Note: If half the grill time passes, the oven sounds twice, and this is normal. In order to have a better effect of grilling food, you should turn the food over, close the door, and then press "Start | + 30" | Confirm " to continue cooking. If no operation, the oven will continue working.

4. Defrost By Weight

- 1) Press "Weight Defrost" once, the screen will display "dEF1".
- 2) Press " - " or " + " to select the food weight. The range of weight is 100-2000g.
- 3) Press "Start | + 30" | Confirm " key to start defrosting.

Note: If half the defrost time passes, the oven sounds twice, and this is normal. In order to have a better effect of defrosting, you should turn the food over, close the door, and then press "Start | + 30" | Confirm" to continue cooking. If no operation, the oven will continue working.

5. Defrost By Time

- 1) Press "Time Defrost " once, the screen will display "dEF2".
- 2) Press " - "or " + " to select the cooking time.The maximum time is 95 minutes.
- 3) Press "Start | + 30Sec" | Confirm" key to start defrosting.

Note: If half the defrost time passes, the oven sounds twice, and this is normal. In order to have a better effect of defrosting, you should turn the food over, close the door, and then press" Start | + 30Sec" | Confirm " to continue cooking. If no operation, the oven will continue working.

6.Multi-Stage Cooking

2 stages can be maximumly set. If one stages is defrosting, it should be put in the first stage automatically. The buzzer will ring once after each stage and the next stage will begin.

Note: Auto menu and speedy cooking cannot be set as one of the multi-stage.

Example: if you want to defrost the food for 5 minutes, then to cook with 80% microwave power for 7 minutes. The steps are as following:

- 1) Press " Time Defrost " once, the screen will display "dEF2".
- 2) Press " - "or " + " to adjust the defrost time of 5 minutes;
- 3) Press "Microwave" once, the screen will display "P100".
- 4) Press " Microwave" repeatedly to choose microwave power till "P80" displays;
- 5) Press " Start | + 30 " | Confirm" to confirm.
- 5) Press " - "or " + " to adjust the cooking time of 7 minutes;
- 7) Press " Start | + 30 " | Confirm " to start cooking.

7. Kitchen Timer

- 1) Press " Duration" once, the screen will display " 00:00 " .
- 2) Press " - " or " + " to enter the correct timer.
(The maximum cooking time is 95 minutes)
- 3) Press " Start | + 30 " | Confirm " to confirm setting.
- 4) When the kitchen time is reached, the buzzer will ring 5 times.

If the clock has been set(24-hour system), the screen will display the current time.

Note: The kitchen Time is different from 24-hour system. Kitchen Timer is a timer.

8. Auto Menu

- 1) In waiting state, press " + " repeatedly to choose the menu .
- 2) Press " Start | + 30 " | Confirm " to confirm the menu you choose.
- 3) Press " - "or" + " to choose the food weight.
- 4) Press "Start | + 30 " | Confirm " to start cooking.


The menu chart:

Menu	Weight	Power
Pizza	200 g	100%(Mic.)
	400 g	
Meat	250 g	100%(Mic.)
	350 g	
	450 g	
Vegetable	200 g	100%(Mic.)
	300 g	
	400 g	
Pasta	50g(with 450g cold water)	80%(Mic.)
	100g(with 800g cold water)	
Potato	200 g	100%(Mic.)
	400 g	
	600 g	
Fish	250 g	80%(Mic.)
	350 g	
	450 g	
Beverage	1cup (about 120ml)	100%(Mic.)
	2cups (about 240ml)	
	3cups (about 360ml)	
Popcorn	50 g	100%(Mic.)
	100 g	

9. Speedy Cooking

- 1) In waiting state, press " Start | + 30 " | Confirm " key to cook with 100% power level for 30 seconds. Each press on the same key can increase 30 seconds. The maximum cooking time is 95 minutes.
- 2) During the microwave,grill,combination cooking and the defrost by time process, press "Start | + 30 " | Confirm" to increase the cooking time.
- 3) Under the states of auto menu and defrost by weight, cooking time cannot be increased by pressing" Start | + 30Sec" | Confirm ".
- 4) In waiting state, press " - " to choose the cooking time. After adjusting the cooking time, press"Start | + 30 " | Confirm" to start microwave cooking with 100% power lever .

10. Lock Function for Children

Lock: In waiting state, press "Stop|Clear" for 3 seconds to enter the children-lock state and the current time will display if the time has been set, otherwise, the screen will display "  ".

Lock quitting: In locked state, press " Stop|Clear " for 3 seconds, the lock is released.

11. Inquiring Function

- 1) In cooking states of microwave or grill and combination. Press " Microwave" or " Grill Combi ", the current power will be displayed for 3 seconds.
- 2) If the clock has been set , during cooking state, press " Duration" to check the current time. It will be displayed for 3 seconds.

12. Specification

- 1) If the door is opened in the process of cooking, close the door and then press "Start | + 30 " | Confirm" to continue cooking.
- 2) Once the cooking programme has been set , " Start | + 30 " | Confirm " is not pressed in 1 minutes. The current time will be displayed. The setting will be cancelled.
- 3) The buzzer sounds once by efficient press, inefficient press will be no response.

Trouble shooting

Normal	
Microwave oven interfering TV reception	Radio and TV reception may be interfered when microwave oven operating. It is similar to the interference of small electrical appliances, like mixer, vacuum cleaner, and electric fan. It is normal.
Dim oven light	In low power microwave cooking, oven light may become dim. It is normal.
Steam accumulating on door, hot air out of vents	In cooking, steam may come out of food. Most will get out from vents. But some may accumulate on cool place like oven door. It is normal.
Oven started accidentally with no food in.	It is forbidden to run the unit without any food inside. It is very dangerous.

Trouble	Possible Cause	Remedy
Oven cannot be started.	(1) Power cord is not plugged in tightly.	Unplug. Then plug again after 10 seconds.
	(2) Fuse blowing or circuit breaker works.	Replace fuse or reset circuit breaker (repaired by professional personnel of our company)
	(3) Trouble with outlet.	Test outlet with other electrical appliances.
Oven does not heat.	(4) Door is not closed well.	Close door well.



According to Waste of Electrical and Electronic Equipment (WEEE) directive, WEEE should be separately collected and treated. If at any time in future you need to dispose of this product please do NOT dispose of this product with household waste. Please send this product to WEEE collecting points where available.

ROSIÈRES

Four à micro-ondes

MANUEL D'INSTRUCTIONS

MODÈLE : HMG20C5SB

HMG20C5SB-80

Veillez lire attentivement les instructions de ce manuel avant d'utiliser votre four à micro-ondes, et conservez-le en lieu sûr. Si vous suivez les instructions, votre four vous servira pendant de nombreuses années.

CONSERVEZ CES INSTRUCTIONS DANS UN LIEU SÛR

PRÉCAUTIONS À PRENDRE POUR ÉVITER UNE EXPOSITION ÉVENTUELLE À UNE ÉNERGIE EXCESSIVE DUE AUX MICRO-ONDES

(a) N'essayez pas de faire fonctionner ce four avec la porte ouverte, car cela peut entraîner une exposition nocive à l'énergie micro-ondes. Il est important de ne pas briser ou altérer les verrouillages de sécurité.

(b) Ne placez aucun objet entre la face avant du four et la porte et ne laissez pas de saleté ou de résidus de nettoyant s'accumuler sur les surfaces d'étanchéité.

(c) AVERTISSEMENT : Si la porte ou les joints de porte sont endommagés, le four ne doit pas être utilisé tant qu'il n'a pas été réparé par une personne compétente.

ADDENDUM

Si l'appareil n'est pas conservé dans un bon état de propreté, sa surface pourrait se dégrader et affecter la durée de vie de l'appareil et conduire à une situation dangereuse.

Caractéristiques

Modèle :	HMG20C5SB / HMG20C5SB-80
Tension nominale :	230V~50Hz
Puissance d'entrée nominale (micro-ondes) :	1270 W
Puissance de sortie nominale (micro-ondes) :	800 W
Puissance d'entrée nominale (gril) :	1000 W

AVERTISSEMENT CONCERNANT LES CONSIGNES DE SÉCURITÉ IMPORTANTES

Pour réduire les risques d'incendie, de choc électrique, de blessures ou d'exposition à une énergie excessive du four à micro-ondes lors de l'utilisation de votre appareil, suivez les précautions de base, y compris celles qui suivent :

1. Avertissement : Les liquides et autres aliments ne doivent pas être chauffés dans des contenants scellés, car ils sont susceptibles d'exploser.
2. Avertissement : Il est dangereux pour les personnes autres que des personnes compétentes d'effectuer toute opération d'entretien ou de réparation impliquant l'enlèvement d'un cache qui protège contre l'exposition à l'énergie des micro-ondes.
3. Cet appareil peut être utilisé par des enfants à partir de 8 ans et par des personnes ayant des capacités physiques, sensorielles ou mentales réduites ou un manque d'expérience et de connaissances, s'ils sont sous surveillance ou si on leur a appris à utiliser l'appareil en toute sécurité et s'ils comprennent les risques courus. Les enfants ne doivent pas jouer avec l'appareil. Le nettoyage et l'entretien par l'utilisateur ne doivent pas être effectués par des enfants, sauf s'ils ont plus de 8 ans et s'ils sont surveillés.
4. Gardez l'appareil et son cordon hors de portée des enfants de moins de 8 ans.
5. N'utilisez que des ustensiles adaptés à l'utilisation dans les fours à micro-ondes.
6. Le four doit être nettoyé régulièrement et tout dépôt de nourriture doit être enlevé.

7. Lisez et suivez les instructions spécifiques :

« PRÉCAUTIONS À PRENDRE POUR ÉVITER UNE EXPOSITION ÉVENTUELLE À UNE ÉNERGIE EXCESSIVE DUE AUX MICRO-ONDES ».

8. Lorsque vous chauffez des aliments dans des contenants en plastique ou en papier, gardez un œil sur le four en raison du risque d'inflammation.

9. En cas d'émission de fumée, éteignez ou débranchez l'appareil et gardez la porte fermée afin d'étouffer toute flamme.

10. Ne faites pas trop cuire les aliments.

11. N'utilisez pas la cavité du four à des fins de conservation. Ne conservez pas d'aliments tels que du pain, des biscuits, etc. à l'intérieur du four.

12. Retirez les attaches en métal et les poignées en métal des contenants/sacs en papier ou en plastique avant de les placer dans le four.

13. Installez ou positionnez ce four uniquement conformément aux instructions d'installation fournies.

14. Les œufs dans leur coquille et les œufs durs entiers ne doivent pas être chauffés dans un four à micro-ondes, car ils peuvent exploser, même après la fin du chauffage au micro-ondes.

15. Cet appareil est conçu pour être utilisé dans une habitation et pour des applications similaires telles que :

-coins-cuisine du personnel dans des magasins, bureaux et autres environnements de travail ;

-par des clients dans des hôtels, motels et autres environnements de type résidentiel ;

-habitations rurales ;

-environnements de type chambres d'hôtes ou B&B.

16. Si le cordon d'alimentation est endommagé, faites-le remplacer par le fabricant, le service après-vente ou un électricien qualifié pour éviter tout risque d'accident.

17. Ne rangez pas et n'utilisez pas cet appareil à l'extérieur.

18. N'utilisez pas ce four près de sources d'eau, dans un sous-sol humide ou près d'une piscine.

19. La température des surfaces accessibles peut être élevée durant le fonctionnement. Les surfaces risquent de s'échauffer pendant l'utilisation. Tenez le cordon éloigné de la surface chauffée et ne couvrez pas les événements du four.

20. Ne laissez pas le cordon pendre sur le bord de la table ou du comptoir.

21. Le fait de ne pas conserver le four dans un état de propreté peut entraîner une détérioration de la surface qui pourrait nuire à la durée de vie de l'appareil et éventuellement entraîner une situation dangereuse.

22. Le contenu des biberons et des pots d'aliments pour bébés doit être mélangé ou agité et la température vérifiée avant consommation, afin d'éviter les brûlures.

23. Le chauffage des boissons par micro-ondes peut retarder l'ébullition par éruption ; il faut donc être prudent lors de la manipulation du contenant.

24. Cet appareil n'est pas prévu pour être utilisé par des personnes (y compris des enfants) à capacités physiques, sensorielles ou intellectuelles réduites ou sans expérience et connaissances, à moins d'être surveillés ou d'avoir appris à utiliser l'appareil par une personne responsable de leur sécurité.

25. Surveillez les enfants pour éviter qu'ils ne jouent avec l'appareil.

26. Les appareils ne sont pas prévus pour être utilisés au moyen d'une minuterie extérieure ou d'un système de télécommande séparé.

27. Les parties accessibles peuvent devenir chaudes au cours de l'utilisation.

Tenez les jeunes enfants à l'écart de l'appareil.

28. Il ne faut pas utiliser de nettoyeur vapeur.

29. Au cours de l'utilisation, l'appareil devient chaud.

Faites attention à ne pas toucher les éléments de chauffage à l'intérieur du four.

30. Utilisez uniquement la sonde de température recommandée pour ce four (pour les fours équipés d'une sonde de température).

31. **AVERTISSEMENT** : l'appareil et ses parties accessibles peuvent devenir chauds au cours de l'utilisation. Il faut faire attention à ne pas toucher les éléments de chauffage.

Les enfants de moins de 8 ans doivent être tenus à l'écart à moins d'être surveillés constamment.

32. Le four à micro-ondes doit être utilisé avec la porte décorative ouverte (pour les fours équipés d'une porte décorative).

33. La surface d'un éventuel tiroir de rangement peut devenir chaude.

34. Le four à micro-ondes est destiné au chauffage des aliments et des boissons. Le séchage d'aliments ou de vêtements et le chauffage de coussins chauffants, de chaussons, d'éponges, de chiffons humides ou similaires peuvent entraîner un risque de blessure, d'ignition ou d'incendie.

35. Les récipients métalliques pour aliments et boissons ne sont pas autorisés pendant la cuisson au micro-ondes.
36. L'appareil ne doit pas être nettoyé à l'aide d'un nettoyeur à vapeur.
37. Veillez à ne pas déplacer le plateau tournant lorsque vous retirez les récipients de l'appareil.
38. L'appareil ne doit pas être installé derrière une porte décorative afin d'éviter toute surchauffe.
39. AVERTISSEMENT : Lorsque l'appareil est utilisé en mode combiné, les enfants doivent uniquement utiliser le four sous la surveillance d'un adulte en raison des températures générées.

**LISEZ ATTENTIVEMENT ET CONSERVEZ CE MANUEL
POUR POUVOIR LE CONSULTER EN CAS DE BESOIN**

Pour réduire les risques de blessures aux personnes – Installation de mise à la terre

DANGER

Risque de choc électrique. Toucher certains des composants internes peut causer des blessures graves, voire mortelles. Ne démontez pas cet appareil.

AVERTISSEMENT :

Risque de choc électrique. Toute utilisation impropre de la mise à la terre vous expose à un risque d'électrocution. Ne branchez pas l'appareil à une prise de courant avant qu'il ne soit correctement installé et mis à la terre.

Cet appareil doit être mis à la terre. En cas de court-circuit électrique, la mise à la terre réduit les risques d'électrocution en offrant une voie d'évacuation au courant électrique.

Cet appareil est équipé d'un cordon muni d'un cordon avec une mise à la terre et une prise de mise à la terre. Le connecteur fiche doit être branché sur une prise appropriée, installée et mise à la terre.

Consultez un électricien ou un technicien qualifié si les instructions de mise à la terre ne sont pas entièrement comprises ou s'il existe un doute quant à la mise à la terre correcte de l'appareil. S'il est nécessaire d'utiliser une rallonge, utilisez uniquement une rallonge à 3 fils.

1. Un cordon d'alimentation court est fourni pour réduire les risques de s'emmêler ou de trébucher sur un cordon plus long.
2. Si un cordon long ou une rallonge est utilisé :
 - 1) La puissance électrique marquée de l'ensemble de cordons ou de la rallonge doit être au moins aussi élevée que la puissance électrique de l'appareil.
 - 2) La rallonge doit être une rallonge à 3 fils de type mise à la terre.
 - 3) Le long cordon doit être disposé de façon à ce qu'il ne s'enroule pas sur le comptoir ou sur le dessus de la table où il peut être tiré par les enfants ou vous pouvez trébucher dessus par inadvertance.

NETTOYAGE

Assurez-vous de débrancher l'appareil de l'alimentation électrique.

1. Après utilisation, nettoyez la cavité de l'appareil avec un chiffon humide.
2. Nettoyez les accessoires à l'eau savonneuse comme d'habitude.
3. Le cadre et le joint de la porte ainsi que les pièces voisines doivent être nettoyés soigneusement avec un chiffon humide lorsqu'ils sont sales.
4. N'utilisez pas de nettoyeurs abrasifs agressifs ni des racloirs en métal pointus pour nettoyer la vitre de la porte du four, car ils peuvent rayer la surface du verre et briser la vitre.
5. Astuce de nettoyage --- pour un nettoyage plus facile des parois de la cavité que les aliments cuits peuvent toucher : Mettre un demi-citron dans un bol, ajouter 300 ml (1/2 pinte) d'eau et chauffer au micro-ondes à 100 % pendant 10 minutes. Essuyez le four avec un chiffon doux et sec.

USTENSILES

ATTENTION

Danger de blessures corporelles

Il est dangereux pour les personnes autres que des personnes compétentes d'effectuer toute opération d'entretien ou de réparation impliquant l'enlèvement d'un cache qui protège contre l'exposition à l'énergie des micro-ondes.

Voir les instructions sur les « Matériaux à utiliser dans un four à micro-ondes ou à éviter dans un four à micro-ondes ». Certains ustensiles non métalliques peuvent ne pas être sécurisés pour le micro-ondes. En cas de doute, vous pouvez tester l'ustensile en question en suivant la procédure ci-dessous.

Test des ustensiles :

1. Remplissez un contenant allant au micro-ondes d'une tasse d'eau froide (250 ml) avec l'ustensile en question.
2. Faites-le chauffer à la puissance maximale pendant 1 minute.
3. Touchez délicatement l'ustensile. Si l'ustensile vide est chaud, ne l'utilisez pas pour la cuisson au micro-ondes.
4. Ne dépassez pas 1 minute de cuisson.

Matériaux que vous pouvez utiliser dans un four à micro-ondes

Ustensiles	Remarques
Plat brunisseur	Suivez les instructions du fabricant. Le fond du plat brunisseur doit être à au moins 5 mm (3/16 po) au-dessus de la plaque tournante. Une utilisation incorrecte peut entraîner la rupture de la plaque tournante.
Vaisselle de table	Uniquement si compatible micro-ondes. Suivez les instructions du fabricant. N'utilisez pas de vaisselle craquelée ou ébréchée.
Bocaux en verre	Ôtez toujours le couvercle. À n'utiliser que pour réchauffer les aliments jusqu'à ce qu'ils soient chauds. La plupart des bocaux en verre ne sont pas résistants à la chaleur et peuvent se briser.
Verres	Verres résistants à la chaleur seulement. Assurez-vous qu'il n'y a pas de garniture métallique. N'utilisez pas de vaisselle craquelée ou ébréchée.
Sacs de cuisson au four	Suivez les instructions du fabricant. Ne pas fermer avec une attache métallique. Faites des fentes pour permettre à la vapeur de s'échapper.
Assiettes et gobelets en papier	Utilisez-les uniquement pour la cuisson/le réchauffement rapide. Ne laissez pas le four sans surveillance pendant la cuisson.
Essuie-mains en papier	Utilisez-le pour couvrir les aliments afin de les réchauffer et d'absorber les graisses. Utilisez-le sous surveillance pour une cuisson de courte durée seulement.
Papier sulfurisé	Utiliser comme couvercle pour éviter les éclaboussures ou comme emballage pour la cuisson à la vapeur.
Plastique	Uniquement si compatible micro-ondes. Suivez les instructions du fabricant. Doit porter la mention « Compatible micro-ondes ». Certains contenants en plastique s'assouplissent lorsque la nourriture à l'intérieur devient chaude. Les « sachets cuisson » et les sacs en plastique hermétiquement fermés doivent être fendus, percés ou ventilés selon les directives de l'emballage.
Film plastique	Uniquement si compatible micro-ondes. À utiliser pour couvrir les aliments pendant la cuisson afin de retenir l'humidité. Ne laissez pas le film plastique toucher les aliments.
Thermomètre	Seulement si compatible micro-ondes (thermomètres à viande et confiseurs).
Papier paraffiné	Utilisez-le comme protection pour éviter les éclaboussures et retenir l'humidité.

Matières à éviter dans le four à micro-ondes

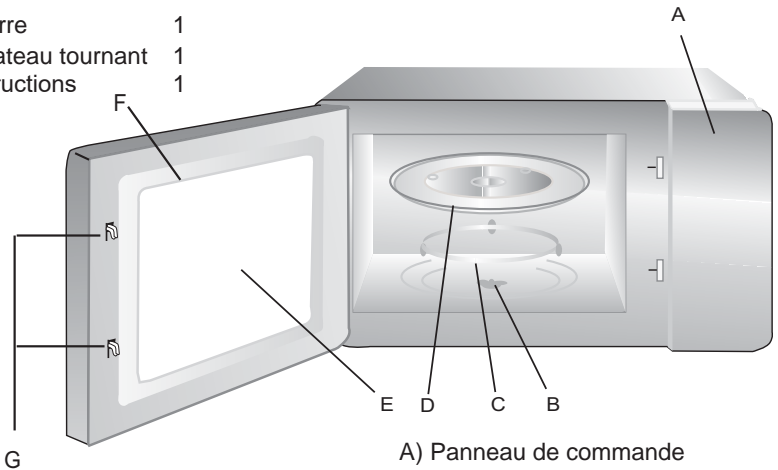
Ustensiles	Remarques
Contenant en aluminium	Peut causer des arcs électriques. Transférez les aliments dans un plat adapté pour le micro-ondes.
Carton alimentaire avec poignée en métal	Peut causer des arcs électriques. Transférez les aliments dans un plat adapté pour le micro-ondes.
Ustensiles en métal ou à garniture métallique	Le métal protège les aliments de l'énergie micro-ondes. Les garnitures métalliques peuvent causer des arcs électriques.
Attaches en métal	Risque de formation d'arcs électriques et d'incendie dans le four.
Sacs en papier	Peut causer un incendie dans le four.
Mousse plastique	La mousse plastique peut fondre ou contaminer le liquide à l'intérieur lorsqu'elle est exposée à des températures élevées.
Bois	Le bois se dessèche lorsqu'il est utilisé dans le four à micro-ondes et peut se fendre ou se briser.

INSTALLATION DE VOTRE FOUR

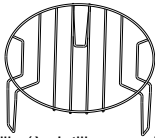
Noms des pièces et accessoires du four

Enlevez le four et tous les matériaux du carton et de la cavité du four. Votre four est livré avec les accessoires suivants :

Plateau en verre	1
Anneau du plateau tournant	1
Manuel d'instructions	1



G

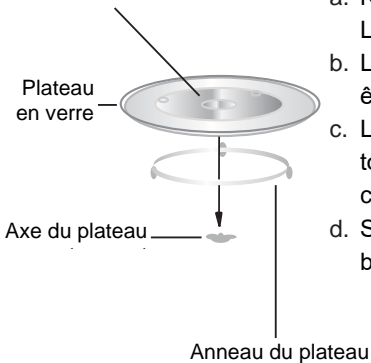


Grille (à n'utiliser que lorsque la fonction grill est activée et doit être placée sur le plateau en verre)

- A) Panneau de commande
- B) Axe du plateau tournant
- C) Anneau du plateau tournant
- D) Plateau en verre
- E) Fenêtre d'observation
- F) Ensemble porte
- G) Système de verrouillage de sécurité

Installation du plateau tournant

Moyeu (dessous)



- a. Ne placez jamais le plateau en verre à l'envers. Le plateau en verre ne doit jamais être bloqué.
- b. Le plateau en verre et son anneau doivent toujours être utilisés pendant la cuisson.
- c. La nourriture et les contenants alimentaires doivent toujours être placés sur le plateau en verre pour la cuisson.
- d. Si le plateau en verre ou l'anneau se fend ou se brise, contactez le SAV autorisé le plus proche.

Installation et raccordement

1. Cet appareil est uniquement destiné à un usage domestique.
2. Ce four est uniquement destiné à une installation encastrée. Il n'est pas destiné à un usage sur plan de travail ou à l'intérieur d'un placard.
3. Veuillez respecter les instructions d'installation spécifiques.
4. L'appareil peut être installé dans un placard mural de 60 cm de large.
5. L'appareil est muni d'un connecteur de type fiche et il ne doit être branché que sur une prise correctement mise à la terre.
6. La tension secteur doit correspondre à la tension spécifiée sur la plaque signalétique.
7. La prise doit être installée et le câble de connexion ne doit être remplacé que par un électricien qualifié. Si le connecteur de type fiche n'est plus accessible après l'installation, un sectionneur doit être installé avec un intervalle de contact d'au moins 3 mm.
8. N'utilisez pas d'adaptateurs, de multiprises ni de rallonges électriques. La surcharge peut entraîner un risque d'incendie.

Les surfaces accessibles peuvent être chaudes pendant le fonctionnement de votre four.



Instructions d'installation

Il convient de noter les instructions qui suivent.

Branchement électrique

L'appareil est muni d'un connecteur de type fiche et il ne doit être branché que sur une prise correctement mise à la terre. Ne faites installer la prise ou remplacer le câble de connexion que par un électricien qualifié, qui respecte les règlements en la matière. Si le connecteur de type fiche n'est plus accessible après l'installation, un sectionneur doit être installé avec un intervalle de contact d'au moins 3 mm. La protection du contact doit être assurée.

Encastrement

L'élément au sein duquel l'appareil sera encastré ne doit pas comporter de panneau arrière situé derrière l'appareil. Hauteur d'installation minimale : 850 mm

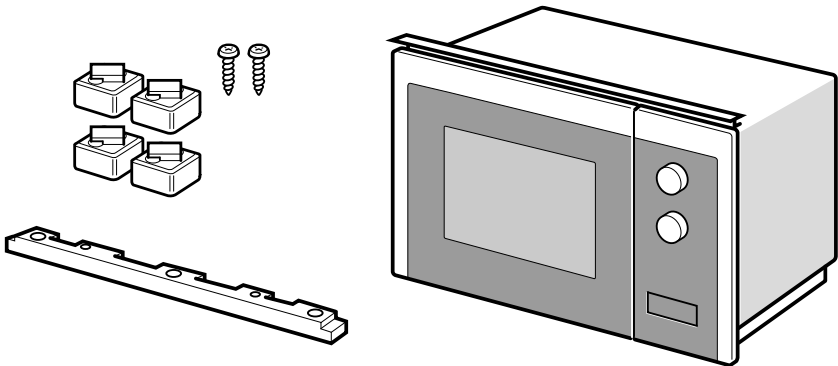
Les fentes d'aération et les prises d'air ne doivent en aucun cas être couvertes.

Appareil installé dans un élément mural - Fig. 1A

Appareil installé dans un meuble haut - Fig.1B

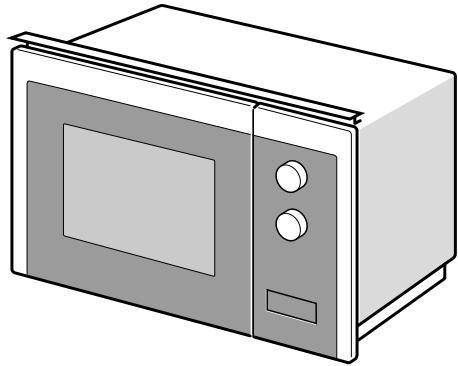
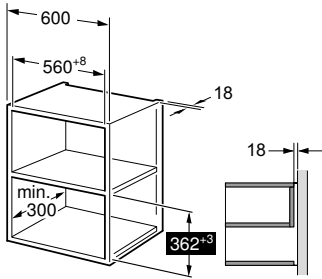
Installation du four - Fig. 2

Remarque : veillez à ce que le cordon d'alimentation ne soit ni piégé ni tordu.

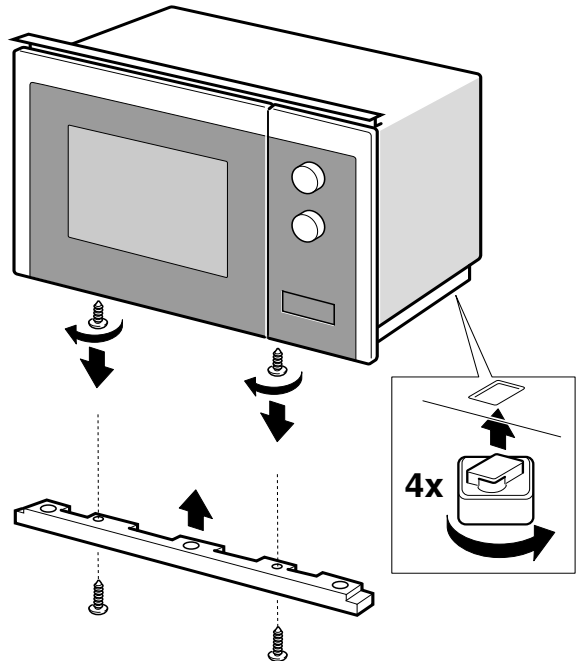
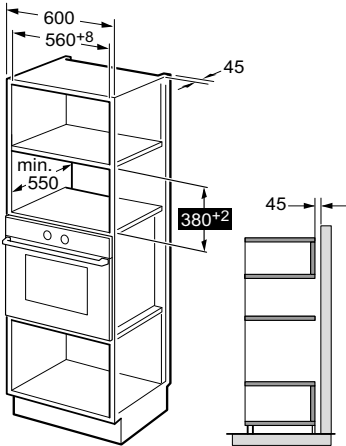


1

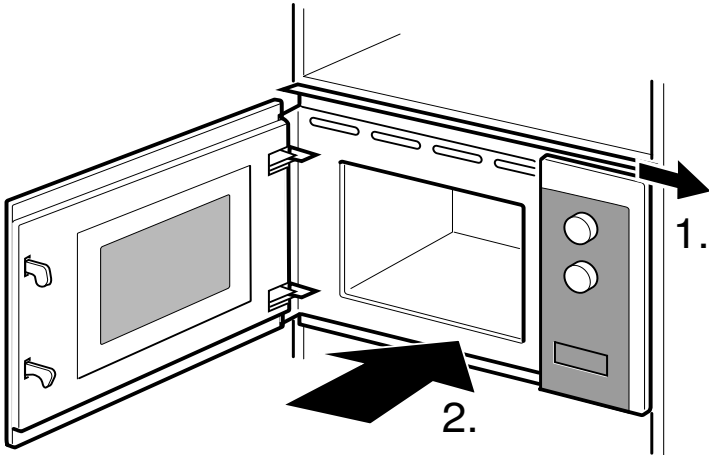
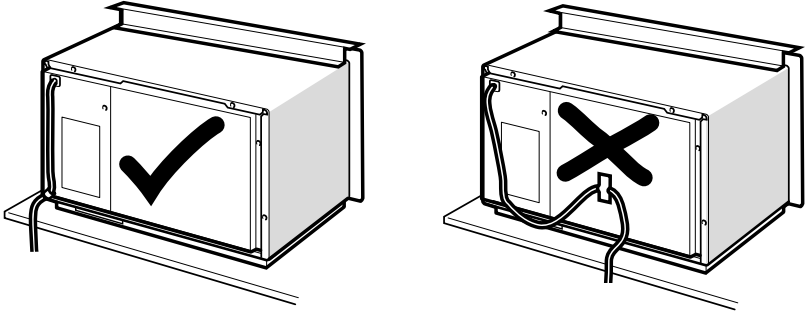
A

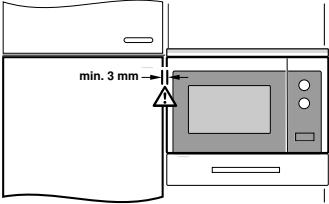
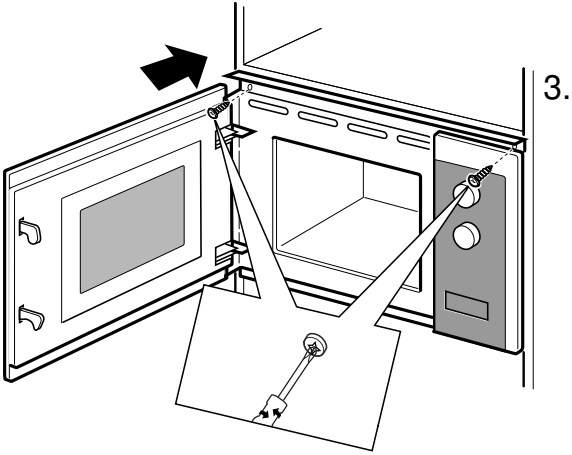


B



2





MODE D'EMPLOI

Ce four à micro-ondes intègre un système de commande électronique moderne qui permet de régler les paramètres de cuisson afin de mieux répondre à vos besoins.

1. Réglage de l'horloge

Lorsque le four à micro-ondes est sous tension, l'indication « 0:00 » clignote, la sonnerie retentit une fois. Le four passe ensuite en mode attente.

- 1) Appuyez deux fois sur la touche « Duration », les chiffres des heures se mettent à clignoter.
- 2) Appuyez sur « - » ou « + » pour régler les chiffres des heures, la valeur saisie doit être comprise entre 0 et 23.
- 3) Appuyez sur la touche « Duration » pour confirmer votre saisie, les chiffres des minutes se mettent alors à clignoter.
- 4) Tournez sur « - » ou « + » pour régler les chiffres des minutes, la valeur saisie doit être comprise entre 0 et 59.
- 5) Appuyez sur la touche « Duration » pour finaliser le réglage de l'heure.
« : » clignote. L'heure actuelle s'affiche.

Remarque : Si l'heure n'est pas réglée, l'appareil ne fonctionnera pas après la mise sous tension.

2. Cuisson au micro-ondes

- 1) Appuyez une fois sur la touche « Microwave ». L'indication « P100 » s'affiche.
- 2) Appuyez plusieurs fois sur la touche « Microwave » ou sur « - » ou « + » pour sélectionner la puissance du micro-ondes. Les indications « P100 », « P80 », « P50 », « P30 », « P10 » s'affichent successivement.
- 3) Appuyez sur la touche « Start | + 30" | Confirm » pour valider le réglage.
- 4) Appuyez sur « - » ou « + » pour régler le temps de cuisson.
(Le temps de cuisson maximal est de 95 minutes)
- 5) Appuyez sur « Start | + 30" | Confirm » pour démarrer la cuisson.

REMARQUE : la durée de réglage s'effectue à l'aide de la commande selon les incréments suivants :

0---1	min	: 5 secondes
1---5	min	: 10 secondes
5---10	min	: 30 secondes
10---30	min	: 1 minute
30---95	min	: 5 minutes

Tableau de puissance du micro-ondes

Puissance du micro-ondes	Élevée	Moy./Élevée	Moy.	Moy./Basse	Basse
Affichage	P100	P80	P50	P30	P10

3. Cuisson Gril ou Combinée

Appuyez une fois sur la touche « Grill Combi », l'écran affiche le symbole « G », puis appuyez plusieurs fois sur la touche « Grill Combi » ou sur « - » ou « + » pour choisir la puissance souhaitée. Les indications « G », « C-1 » ou « C-2 » s'affichent. Appuyez sur « Start | +30" | Confirm » pour confirmer la puissance. Appuyez sur « - » ou sur « + » pour régler le temps de cuisson. (Le temps de cuisson maximum est de 95 minutes) Appuyez à nouveau sur « Start | +30" | Confirm » pour commencer la cuisson.

Exemple : Si vous souhaitez utiliser 55 % de puissance micro-ondes et 45 % de puissance du gril (C-1) pour cuire pendant 10 minutes, vous pouvez faire fonctionner le four comme suit.

- 1) Appuyez une fois sur la touche « Grill Combi », l'écran affiche le symbole « G ».
- 2) Appuyez de nouveau sur la touche « Grill Combi » jusqu'à ce que l'écran affiche le symbole « C-1 ».
- 3) Appuyez sur la touche « Start | +30" | Confirm » pour confirmer.
- 4) Appuyez sur « - » ou « + » pour régler le temps de cuisson jusqu'à ce que le four affiche « 10:00 ».
- 5) Appuyez sur « Start | +30" | Confirm » pour démarrer la cuisson.

Instructions de cuisson combinée :

Programme	Affichage	Puissance du micro-ondes	Puissance du gril
Gril	G	0 %	100 %
Combi.1	C-1	55 %	45 %
Combi.2	C-2	36 %	64 %

Remarque : Lorsque la moitié du temps de gril est écoulée, le four sonne deux fois, ce qui est normal. Pour que les aliments soient mieux grillés, vous devez les retourner, fermer la porte et appuyer sur « Start | +30" | Confirm » pour poursuivre la cuisson.

Si aucune opération n'est effectuée, le four continue à fonctionner.

4. Décongeler en fonction du poids

- 1) Appuyez une fois sur « Weight Defrost », l'écran affiche l'indication « dEF1 ».
- 2) Appuyez sur « - » ou « + » pour sélectionner le poids des aliments. La plage de poids varie entre 100 et 2 000 g.
- 3) Appuyez sur la touche « Start | +30" | Confirm » pour lancer la décongélation.

Remarque : Lorsque la moitié du temps de décongélation est écoulée, le four sonne deux fois, ce qui est normal. Pour que les aliments soient mieux décongelés, vous devez les retourner, fermer la porte et appuyer sur « Start | +30" | Confirm » pour poursuivre la cuisson. Si aucune opération n'est effectuée, le four continue à fonctionner.

5. Décongélation en fonction du temps

- 1) Appuyez une fois sur « Time Defrost », l'écran affiche l'indication « dEF2 ».
- 2) Appuyez sur « - » ou « + » pour sélectionner la durée. Le temps de cuisson maximum est de 95 minutes.
- 3) Appuyez sur la touche « Start | + 30" | Confirm » pour lancer la décongélation.

Remarque : Lorsque la moitié du temps de décongélation est écoulée, le four sonne deux fois, ce qui est normal. Pour que les aliments soient mieux décongelés, vous devez les retourner, fermer la porte et appuyer sur « Start | + 30" | Confirm » pour poursuivre la cuisson. Si aucune opération n'est effectuée, le four continue à fonctionner.

6. Cuisson en plusieurs étapes

Deux étapes peuvent être réglées au maximum. Si une étape consiste à décongeler, celle-ci doit être automatiquement effectuée en premier lieu. La sonnerie retentit à la fin de chaque étape et l'étape suivante commence. Remarque : le menu automatique et la cuisson rapide ne peuvent pas être définis comme l'une des étapes.

Exemple : si vous voulez décongeler les aliments pendant 5 minutes, puis faire cuire à 80 % de puissance micro-ondes pendant 7 minutes. Les étapes sont les suivantes :

- 1) Appuyez une fois sur « Time Defrost », l'écran affiche l'indication « dEF2 ».
- 2) Appuyez sur « - » ou « + » pour régler le temps de décongélation sur 5 minutes.
- 3) Appuyez sur la touche « Microwave », l'écran affiche alors l'indication « P100 ».
- 4) Appuyez plusieurs fois sur la touche « Microwave » pour choisir la puissance du micro-ondes jusqu'à ce que l'indication « P80 » s'affiche.
- 5) Appuyez sur « Start | + 30" | Confirm » pour confirmer.
- 6) Appuyez sur « - » ou « + » pour régler le temps de cuisson sur 7 minutes.
- 7) Appuyez sur « Start | + 30" | Confirm » pour démarrer la cuisson.

7. Minuterie

- 1) Appuyez une fois sur la touche « Duration », l'écran affiche alors l'indication « 00:00 ».
- 2) Appuyez sur « - » ou « + » pour saisir la valeur de minuterie souhaitée.
(Le temps de cuisson maximal est de 95 minutes)
- 3) Appuyez sur la touche « Start | + 30" | Confirm » pour valider le réglage.
- 4) Lorsque le temps de cuisson est atteint, le signal sonore retentit 5 fois.

Si l'horloge a été réglée (système de 24 heures), l'écran affiche l'heure actuelle.

Remarque : le temps de cuisson est différent du système 24 heures. Il s'agit d'une minuterie.

8.Menu Auto

- 1) En mode attente, appuyez plusieurs fois sur « + » pour choisir le menu.
- 2) Appuyez sur « Start | + 30" | Confirm » pour confirmer le menu choisi.
- 3) Appuyez sur « - » ou « + » pour sélectionner le poids des aliments.
- 4) Appuyez sur « Start | + 30" | Confirm » pour démarrer la cuisson.


Tableau des menus :

Menu	Poids	Puissance
Pizza	200 g	100 % (mic.)
	400 g	
Viande	250 g	100 % (mic.)
	350 g	
	450 g	
Légumes	200 g	100 % (mic.)
	300 g	
	400 g	
Pâtes	50 g (avec 450 g d'eau froide)	80 % (mic.)
	100 g (avec 800 g d'eau froide)	
Pomme de terre	200 g	100 % (mic.)
	400 g	
	600 g	
Poisson	250 g	80 % (mic.)
	350 g	
	450 g	
Boissons	1 tasse (environ 120 ml)	100 % (mic.)
	2 tasses (environ 240 ml)	
	3 tasses (environ 360 ml)	
Popcorn	50 g	100 % (mic.)
	100 g	

9. Cuisson rapide

- 1) En mode attente, appuyez sur la touche « Start | + 30" | Confirm » pour cuire à 100 % de puissance pendant 30 secondes. Chaque pression sur la même touche permet d'augmenter le temps de cuisson de 30 secondes. Le temps de cuisson maximal est de 95 minutes.
- 2) Pendant la cuisson au micro-ondes, au gril, la cuisson combinée et la décongélation, appuyez sur « Start | + 30" | Confirm » pour augmenter le temps de cuisson.
- 3) En mode automatique et de décongélation en fonction du poids, le temps de cuisson ne peut pas être augmenté en appuyant sur « Start | + 30" | Confirm ».
- 4) En mode attente, appuyez sur « - » pour sélectionner le temps de cuisson. Après avoir réglé le temps de cuisson, appuyez sur « Start | + 30" | Confirm » pour démarrer la cuisson au micro-ondes avec une puissance à 100 %.

10. Sécurité enfants

Activation de la sécurité enfants : En mode attente, appuyez sur « Stop|Clear » pendant 3 secondes pour activer la sécurité enfants. L'heure actuelle s'affiche si l'heure a été réglée, sinon, l'écran affiche «  ».

Désactivation de la sécurité enfants : Tandis que la sécurité enfants est activée, appuyez sur « Stop|Clear » pendant 3 secondes, la sécurité enfants est alors désactivée.

11. Fonction de consultation

- 1) Pendant la cuisson au micro-ondes ou au gril ou en mode combiné : appuyez sur « Microwave » ou « Grill Combi », la puissance actuelle s'affiche pendant 3 secondes.
- 2) Si l'heure a été réglée, appuyez pendant la cuisson sur « Duration » pour vérifier l'heure actuelle. Elle s'affiche pendant 3 secondes.

12. Caractéristiques

- 1) Si la porte est ouverte pendant la cuisson, fermez la porte, puis appuyez sur « Start | + 30" | Confirm » pour continuer la cuisson.
- 2) Une fois le programme de cuisson sélectionné, si vous n'appuyez pas sur « Start | + 30" | Confirm » dans la minute qui suit, l'heure actuelle s'affiche, le réglage est annulé.
- 3) La sonnerie retentit si vous appuyez vigoureusement sur la touche, sinon vous n'entendrez rien.

Dépannage

Fonctionnement normal	
Four à micro-ondes interférant avec la réception TV	La réception de la radio et de la télévision peut être perturbée lorsque le four à micro-ondes fonctionne. Il s'agit d'un phénomène similaire à l'interférence des petits appareils électriques, comme les mixeurs, les aspirateurs et les ventilateurs électriques. C'est tout à fait normal.
Lumière du four	Durant la cuisson au micro-ondes à faible puissance, la lumière du four peut s'assombrir. C'est tout à fait normal.
La vapeur s'accumule sur la porte, de l'air chaud s'échappe par les événements.	Durant la cuisson, de la vapeur peut s'échapper des aliments. Elle sortira principalement par les événements d'aération. Mais il est possible qu'un peu de vapeur s'accumule sur un endroit frais comme la porte du four. C'est tout à fait normal.
Le four a démarré accidentellement sans nourriture.	Il est interdit de faire fonctionner l'appareil sans nourriture à l'intérieur. Il est très dangereux de faire fonctionner l'appareil ainsi.

Problème	Cause possible	Solution
Il est impossible de démarrer le four.	(1) Le cordon d'alimentation n'est pas bien branché.	Débranchez-le. Puis rebranchez après 10 secondes.
	(2) Les fusibles ou le disjoncteur ont sauté.	Remplacez le fusible ou réinitialisez le disjoncteur (réparé par du personnel professionnel de notre société)
	(3) Problème avec la prise de courant.	Testez la prise avec d'autres appareils électriques.
Le four ne chauffe pas.	(4) La porte n'est pas bien fermée.	Fermez bien la porte.



Conformément à la directive relative aux déchets d'équipements électriques et électroniques (DEEE), les DEEE doivent être collectés et traités séparément. Si à l'avenir vous devez vous débarrasser de ce produit, veuillez NE PAS le jeter avec les ordures ménagères. Veuillez envoyer ce produit aux points de collecte des DEEE, le cas échéant.