

LANGUAGES

English	1
Čeština	15
Español	29
Français	44
Italiano	59
Nederlands	74
Polskie	88
Português	103
Slovák	117
Slovensko	131
Deutsch	145

English

Thank you for purchasing this product.

Before using your refrigerator, please carefully read this instruction manual in order to maximize its performance. Store all documentation for subsequent use or for other owners. This product is intended solely for household use or similar applications such as:

- the kitchen area for personnel in shops, offices and other working environments
- on farms, by clientele of hotels, motels and other environments of a residential type
- at bed and breakfasts (B & B)
- for catering services and similar applications not for retail sale.

This appliance must be used only for purposes of storage of food, any other use is considered dangerous and the manufacturer will not be responsible for any omissions. Also, it is recommended that you take note of the warranty conditions.

SAFETY INFORMATION

Please read the operating and installation instructions carefully!

They contain important information on how to install, use and maintain the appliance.

The manufacturer is not liable if you fail to comply with the instructions and warnings.

Retain all documents for subsequent use or for the next owner.

- **Do not connect the appliance to the electricity supply until all packing and transit protectors have been removed. Keep children away from packaging and its parts.**
Danger of suffocation from folding cartons and plastic film!
- **Leave to stand for at least 4 hours before switching on the product, to allow compressor oil to settle if transported horizontally.**
- **Make sure there is no transport damage.**
- **Do not damage the refrigerant circuit.**
- **Maintain the ventilation openings in the appliance enclosure or in the built-in structure, free of obstruction.**
- **Never use water to wash the compressor position, wipe it with a dry cloth thoroughly after cleaning to prevent rust.**
- **Handle the appliance always with at least two persons because it is heavy.**
- **Install and level the appliance in an area suitable for its size and use.**
- **Make sure that the electrical information on the rating plate agrees with the power supply. If it does not, contact an electrician.**
- **The appliance is operated by a 220-240 VAC/50 Hz power supply. Abnormal voltage fluctuation may cause the appliance to fail to start, or damage to the temperature control or compressor, or there may be an abnormal noise when operating. In such case, an automatic regulator shall be mounted.**
- **Only for UK: The appliance's power cable is fitted with 3-cord**

(grounding) plug that fits a standard 3-cord (grounded) socket. Never cut off or dismount the third pin (grounding). After the appliance is installed, the plug should be accessible.

- **Make sure that mains cable is not caught under the appliance during and after carrying/moving the appliance, to avoid the mains cable becoming cut or damaged. If the supply cord is damaged, it must be replaced by the manufacturer, its service agent or similarly qualified person in order to avoid a hazard.**
- **Do not install the appliance in humid, oily or dusty places, nor expose it to direct sunlight and to water.**
- **Do not install the appliance near heaters or inflammable materials.**
- **FOR appliances with a freezer compartment: if there is a power failure do not open the lid. Frozen food should not be affected if the failure lasts for less than the hours indicated on the rating label (Temperature rise time). If the failure is longer, then the food should be checked and eaten immediately or cooked and then refrozen.**
- **If you find that the lid of the appliance is difficult to open just after you have closed it, don't worry. This is due to the pressure difference which will equalize and allow the lid to be opened normally after a few minutes.**
- **Do not store medicines, bacteria or chemical agents in the appliance. This appliance is a household appliance, it is not recommended to store materials that require strict temperatures.**
- **Do not excessively pull or fold the power cord or touch the plug with wet hands.**
- **Do not store products which contain flammable propellant (e.g. spray cans) or explosive substances in the appliance. Risk of explosion!**
- **Do not place unstable articles (heavy objects, containers filled with water) on top of the refrigerator, to avoid personal injury caused by falling or electric shock caused by contact with water.**
- **Do not use electrical appliances inside the food storage compartments, unless they are of the type recommended by the manufacturer.**
- **Do not touch internal cooling elements, especially with wet hands, to avoid cracks or injuries.**
- **At risk here are children, people who have limited physical, mental or sensory abilities, as well as people who have inadequate knowledge concerning safe operation of the appliance.**
- **Check that children and vulnerable people have understood the hazards. A person responsible for safety must supervise or instruct children and vulnerable people who are using the appliance. Only**

children aged 8 years and above may use the appliance.

- Children should not play with the appliance.
- Children aged from 3 to 8 years are allowed to load and unload this appliance.
- FOR appliances with a freezer compartment: do not store bottled or canned liquids (especially carbonated drinks) in the freezer compartment. Bottles and cans may burst!
- FOR appliances with a freezer compartment: never put frozen food straight from the freezer compartment in your mouth. Risk of low-temperature burns!
- Keep plastic parts and the door seal free of oil and grease. Otherwise, plastic parts and the door seal will become porous.
- Before performing any operation, unplug the power cord from the power socket.
- Do not use mechanical devices or other means to accelerate the defrosting process, other than those recommended by the manufacturer.
- Do not use pointed or sharp-edged objects such as knives or forks to remove the frost.
- Never use hairdryers, electrical heaters or other such electrical appliances for defrosting.
- It is recommended to keep the plug clean, any excessive dust residues on the plug can be the cause fire.
- Do not try to repair, disassemble or modify the appliance by yourself. In case of repair please contact always our customer service.
- Supervise children while the appliance is being cleaned or maintained.
- Do not clean the cold glass shelves with hot water. Sudden temperature change may cause the glass to break.
- **WARNING:** The tubes of the refrigeration circuit convey a small quantity of an environmentally friendly but flammable refrigerant (R600a) and insulating gas (cyclopentane). It does not damage the ozone layer and does not increase the greenhouse effect. If refrigerant escapes, it may injure your eyes or ignite.
- If the refrigerant circuit should be damaged:
 - Switch off the appliance and pull out the mains plug,
 - Keep naked flames and/or ignition sources away from the appliance,
 - Thoroughly ventilate the room for several minutes,
 - Inform customer service.
- **WARNING:** Do not damage the plug and/or the power cord; this could cause electrical shocks or fires.

- **WARNING: Do not use multiple portable socket-outlets or portable power supplies. We do not recommend the use of extension leads and multi-way adapters.**
- **Do not attempt to sit or stand on the top of the appliance. You could injure yourself or damage it. This appliance is not designed for stacking with any other ones.**
- **The product is designed and built for domestic household use only.**
- **Only original parts supplied by the manufacturer may be used. The manufacturer guarantees that only these parts satisfy the safety requirements.**
- **Opening the door for long periods can cause a significant increase of the temperature in the compartments of the appliance.**
 - Clean regularly surfaces that can come in contact with food and accessible drainage systems.**
 - Clean water tanks if they have not been used for 48h; flush the water system connected to a water supply if water has not been drawn for 5 days.**
 - Store raw meat and fish in suitable containers in the refrigerator, so that it is not in contact with or drip onto other food.**
 - Two-star frozen-food compartments(if they are presented in the appliance) are suitable for storing pre-frozen food, storing or making ice-cream and making ice cubes.**
 - One-, two- and three -star compartments, if present in the appliance, are not suitable for the freezing of fresh food.**
 - If the appliance is left empty for long periods, switch off, defrost, clean, dry and leave the door open to prevent mould developing within the appliance.**
- **FOR Wine Coolers: this appliance is intended to be used exclusively for the storage of wine**
- **FOR a free standing appliance: this refrigerating appliance is not intended to be used as a built-in appliance**
- **FOR appliances without a 4-star compartment: this refrigerating appliance is not suitable for freezing foodstuffs**

Scrapping old appliances



This appliance is marked according to the European directive 2012/19/EU on Waste Electrical and Electronic Equipment (WEEE).

WEEE contains both polluting substances (which can cause negative consequences for the environment) and basic components (which can be re-used). It is important to have WEEE subjected to specific treatments, in order to remove and dispose properly all pollutants, and recover and recycle all materials.

Individuals can play an important role in ensuring that WEEE does not become an environmental issue; it is essential to follow some basic rules:

- WEEE should not be treated as household waste;
- WEEE should be handed over to the relevant collection points managed by the municipality or by registered companies. In many countries, for large WEEE, home collection could be present.

In many countries, when you buy a new appliance, the old one may be returned to the retailer who has to collect it free of charge on a one-to-one basis, as long as the equipment is of equivalent type and has the same functions as the supplied equipment.

Conformity

By placing the **CE** mark on this product, we are confirming compliance to all relevant European safety, health and environmental requirements which are applicable in legislation for this product.

Guarantee

Minimum guarantee is: 2 years for EU Countries, 3 years for Turkey, 1 year for UK, 1 year for Russia, 3 years for Sweden, 2 years for Serbia, 5 years for Norway, 1 year for Morocco, 6 months for Algeria, Tunisia no legal warranty required.

Energy Saving

For better energy saving we suggest :

- Installing the appliance away from heat sources and not exposed to direct sunlight and in a well ventilated room.
- Avoid putting hot food into the refrigerator to avoid increasing the internal temperature and therefore causing continuous functionaliting of the compressor.
- Do not excessively stuff foods so as to ensure proper air circulation.
- Defrost the appliance in case there is ice to facilitate the transfer of cold.
- In case of absence of electrical energy, it is advisable to keep the refrigerator door closed.
- Open or keep the doors of the appliance open as little as possible
- Avoid adjusting the setting to temperatures too cold.
- Remove dust present on the rear of the appliance

Replaceable (LED only) light source by a professional

This product contains a light source of energy efficiency class G.

INSTALLATION INSTRUCTIONS

➤ **Before Using Your Wine cooler**

- Remove the exterior and interior packing.
- Before connecting the Wine cooler to the power source, let it stand upright for approximately 2 hours. This will reduce the possibility of a malfunction in the cooling system from handling during transportation.
- Clean the interior surface with lukewarm water using a soft cloth.
- When disposing your appliance, please choose an authorized disposal site.

➤ **Installation of Your Wine Cooler**

- This appliance is designed to be for free standing installation or built-in (fully recessed) (Refer to sticker location the back of this appliance).
- **This appliance is intended to be used exclusively for the storage of wine or beverages.**
- Place your Wine cooler on a floor that is strong enough to support it when it is fully loaded. To level your Wine cooler, adjust the front leveling leg at the bottom of the Wine cooler.
- This appliance is using flammability refrigerant. So never damage the cooling pipework during the transportation. Locate the Wine cooler away from direct sunlight and sources of heat (stove, heater, radiator, etc.). Direct sunlight may affect the acrylic coating and heat sources may increase electrical consumption. Extreme cold ambient temperatures may also cause the unit not to perform properly.
- Avoid locating the unit in moist areas.
- Plug the Wine cooler into an exclusive, properly installed-grounded wall outlet. Do not under any circumstances cut or remove the third (ground) prong from the power cord. Any questions concerning power and/or grounding should be directed toward a certified electrician or an authorized Products service center.

➤ **Attention**

- Store wine in sealed bottles;
- Do not overload the cabinet;
- Do not open the door unless necessary;
- Do not cover shelves with aluminum foil or any other shelf material which may prevent air circulation;
- Should the Wine cooler be stored without use for long periods it is suggested, after a careful cleaning, to leave the door ajar to allow air to circulate inside the cabinet in order to avoid possible formations of condensation, mold or odors.

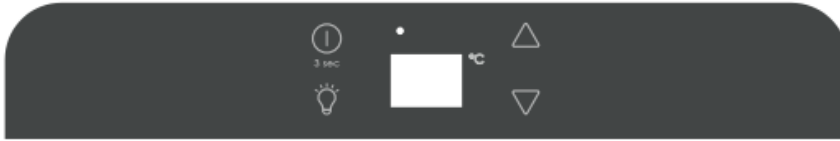
➤ **Ambient Room Temperature Limits**





This appliance is designed to operate in ambient temperatures specified by its temperature class marked on the rating plate.

- extended temperate (SN): 'this refrigerating appliance is intended to be used at ambient temperatures ranging from 10 °C to 32 °C';
- temperate (N): 'this refrigerating appliance is intended to be used at ambient temperatures ranging from 16 °C to 32 °C';
- subtropical (ST): 'this refrigerating appliance is intended to be used at ambient temperatures ranging from 16 °C to 38 °C';



OPERATING YOUR WINE COOLER/BEVERAGE COOLER AND SETTING THE TEMPERATURE CONTROL

➤ Control System Instruction





- “” Button
To control this appliance turn on/off (press and hold this buttons for approximately 3 seconds).
- “” Button
To control the inner light turn on/off.
- “” Button
Used to raise(warm) the temperature in 1°F (1°C) .
- “” Button
Used to lower(cool) the temperature in 1°F (1°C) .
- “o”
Indicator light illuminates to signify the cooling mode is currently in operation.
- “DISPLAY”
To shows the temperature of the set temperature.

➤ Setting The Temperature Controls

Set the desired cooling temperature by pressing the buttons adjacent to the " " or " " indicators. Each press of the buttons will scroll through the available temperature settings in increments of 1°C.

The temperature setting can be adjusted from 5°C to 18°C.

If you want to reveal every indoor actual temperature, please press and hold the " " or " " button for 3 seconds, the LED will flash and display the actual temperature. After stopping pressing the button for 5 seconds, LED figure will stop flash, then revert back to display the set temperature.

Flashing LED = Cabinet temperature

Steady LED = Set temperature

➤ Temperature Alarm

If the temperature inside is higher than 23 °C, it will display "HI" on the display panel, and after one hour after the alarm / buzzer will sound. This indicates that the temperature inside is too high. If the temperature inside is lower than 0 °C, it will display "LO" on the display panel and at the same time the alarm also malfunction indicator is active

➤ **Temperature Recollection Function**

In the event of a power interruption, wine chiller can remember the previous temperature settings, and when the power is recovery, the cooler temperature will go back the same setting temperature as power off.

➤ **Internal light**

In order to reduce energy consumption, this wine cabinet will automatically switch off the LED lights after 10 minutes.

If you want the LED light to remain on continuously, this is possible. Please press and hold the "LIGHT" button for 5 seconds, the display will show "LP".After 4 seconds the display will revert back to normal and the light will remain on until manually switched off.

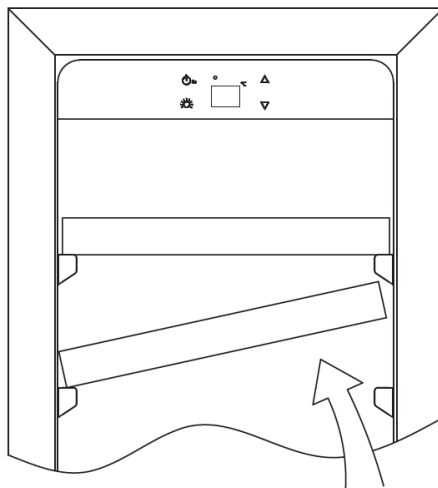
If you want to revert back and conserve energy (recommended), please press and hold the "LIGHT" button for 5 second, the display will show "LF",after 4 seconds the display will revert back to normal, and the light will automatically switch off after 10 minutes.

➤ **Shelves**

- To prevent damaging the door gasket, make sure to have the door all the way opened when pulling shelves out of the rail compartment.
- For easy access to the storage content, you must pull the shelves approximately 1/3 out of the rail compartment, however this unit was designed with a notch on each sides of the shelf tracks to prevent bottles from falling.
- When removing any of these shelves out of the rail compartment, To fit or remove the shelf, tilt the shelf as per the diagram and simply pull out, or push in the shelf until it sits on the support brackets securely.

➤ **NOTE:**

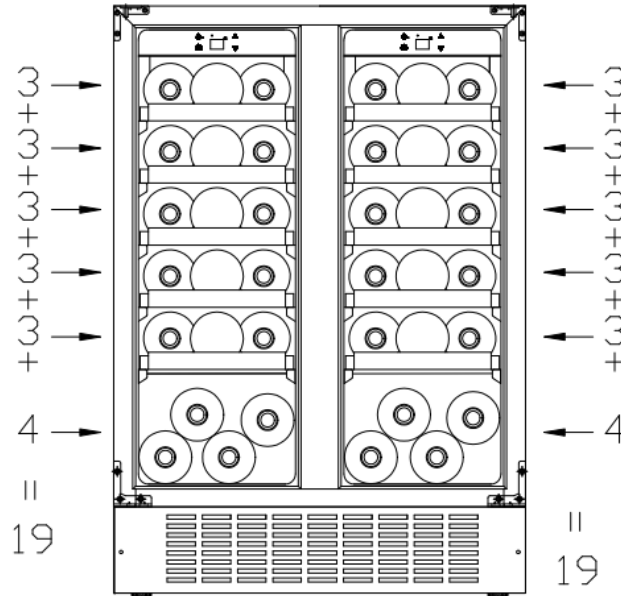
- If the unit is unplugged, power lost, or turned off, you must wait 3 to 5 minutes before restarting the unit. If you attempt to restart before this time delay, the Wine cooler/beverage cooler will not start.
- When you use the Wine cooler/beverage cooler for the first time or restart the Wine cooler/beverage cooler after having been shut off for a long time, there could be a few degrees variance between the temperature you select and the one indicated on the LED readout. This is normal and it is due to the length of the activation time. Once the Wine cooler/beverage cooler is running for a few hours everything will be back to normal.



➤ **Storage diagram**

According to the actual configuration of your product, please check the relative Storage diagram.

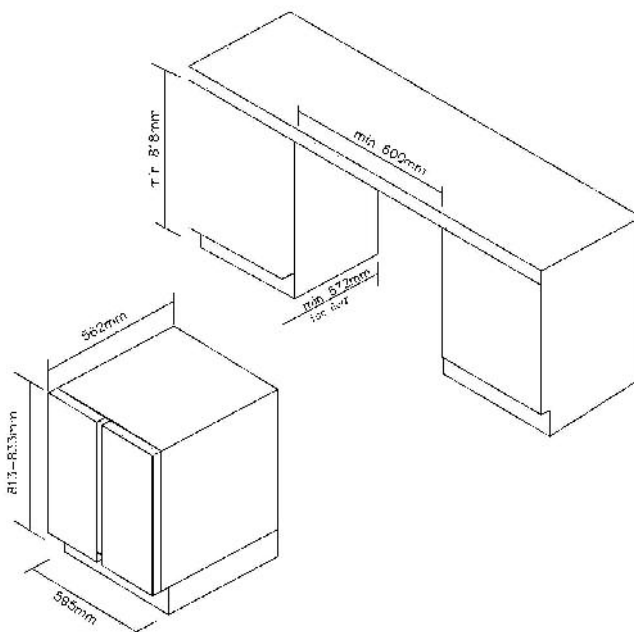
Total: 38 bottles (Max)



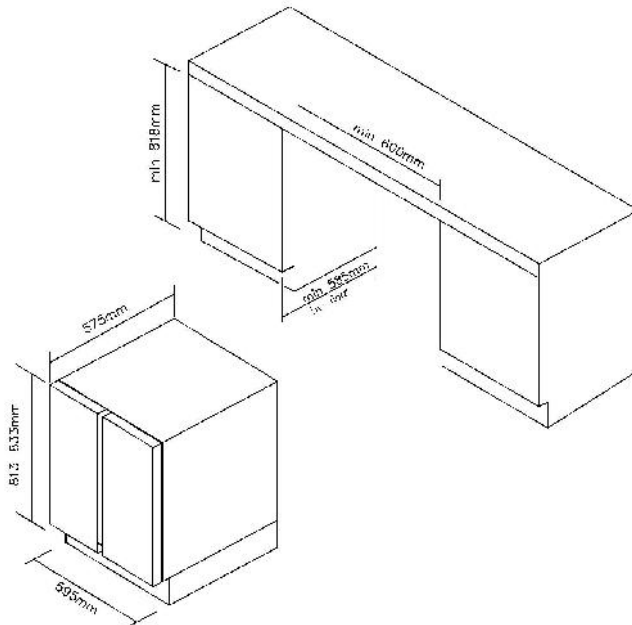
The most energy-saving configuration requires shelves to be positioned in the product, please refer to the above pictures.

➤ **Installation specifications for built-in purposes**

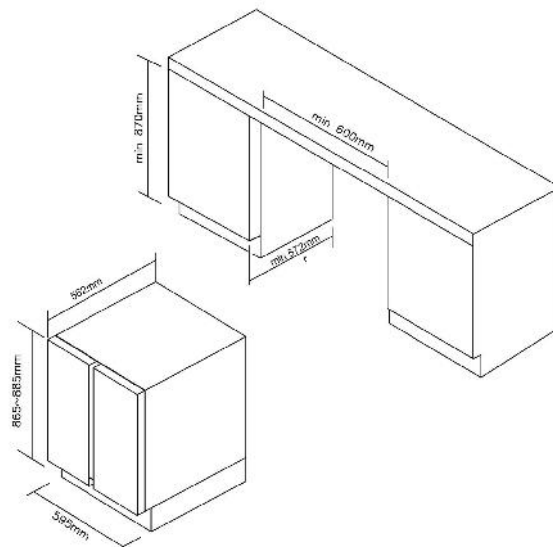
For height 813mm with full glass/stainless steel door



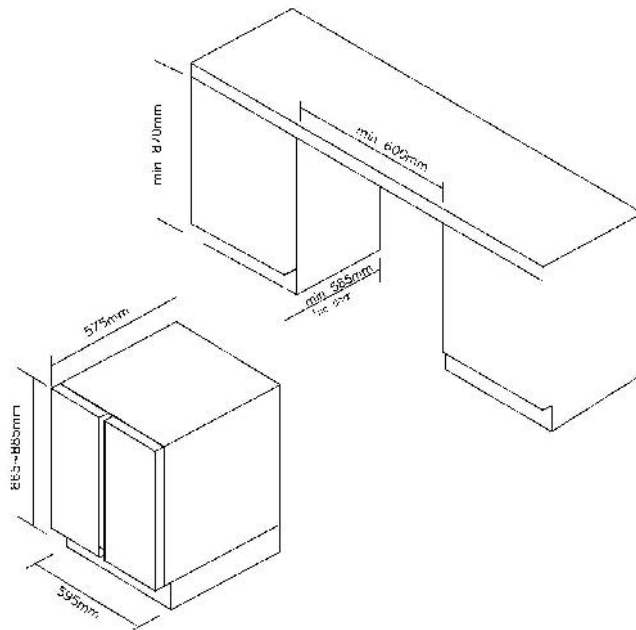
For height 813 with slim stainless steel door



For height 865 with full glass/stainless steel door



For height 865mm with slim stainless steel door



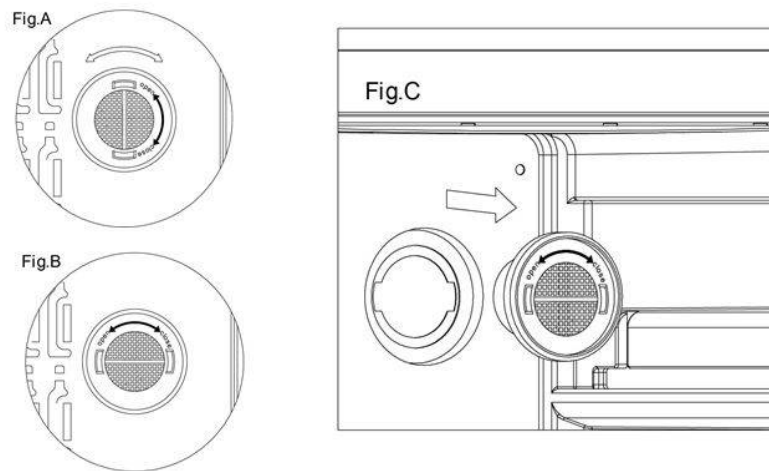
CARE AND MAINTENANCE

➤ Cleaning Your Wine Cooler

- Turn off the power, unplug the appliance, and remove all items including shelves and rack.
- Wash the inside surfaces with a warm water and baking soda solution. The solution should be about 2 tablespoons of baking soda to a quart of water.
- Wash the shelves with a mild detergent solution.
- Wring excess water out of the sponge or cloth when cleaning area of the controls, or any electrical parts.
- Wash the outside cabinet with warm water and mild liquid detergent. Rinse well and wipe dry with a clean soft cloth.

➤ **How to replace the charcoal filter (if present in your appliance)**

- Charcoal filters are located in the top left corner of each wine cabinet zone.
- Open the door and remove the top 2 shelves (see removing the shelves).
- Turn the filter as per Fig A.
- As per Fig B, the filter should line up with the notches as shown.
- Pull the filter out (Fig C).
- Insert replacement filter and twist as per Fig A to lock into position.
- Re-install the shelves.



➤ **Power Failure**

- Most power failures are corrected within a few hours and should not affect the temperature of your appliance if you minimize the number of times the door is opened. If the power is going to be off for a longer period of time, you need to take the proper steps to protect your contents.

➤ **Vacation Time**

- **Short vacations:** Leave the Wine Cooler operating during vacations of less than three weeks.
- **Long vacations:** If the appliance will not be used for several months, remove all items and turn off the appliance. Clean and dry the interior thoroughly. To prevent odor and mold growth, leave the door open slightly: blocking it open if necessary.

➤ **Moving Your Wine Cooler**

- Remove all items.
- Securely tape down all loose items (shelves) inside your appliance.
- Turn the adjustable leg up to the base to avoid damage.
- Tape the door shut.
- Be sure the appliance stays secure in the upright position during transportation. Also protect outside of appliance with a blanket, or similar item.

➤ **Energy Saving Tips**

- The Wine Cooler should be located in the coolest area of the room, away from heat producing appliances, and out of the direct sunlight.

PROBLEMS WITH YOUR WINE COOLER/BEVERAGE COOLER?

You can solve many common Wine cooler/beverage cooler problems easily, saving you the cost of a possible service call. Try the suggestions below to see if you can solve the problem before calling the servicer.

TROUBLESHOOTING GUIDE

PROBLEM	POSSIBLE CAUSE
Wine cooler/beverage cooler does not operate.	Not plugged in. The appliance is turned off. The circuit breaker tripped or a blown fuse.
Wine cooler/beverage cooler is not cold enough.	Check the temperature control setting. External environment may require a higher setting. The door is opened too often. The door is not closed completely. The door gasket does not seal properly.
Turns on and off frequently.	The room temperature is hotter than normal. A large amount of contents has been added to the Wine cooler/beverage cooler. The door is opened too often. The door is not closed completely. The temperature control is not set correctly. The door gasket does not seal properly.
The light does not work.	Not plugged in. The circuit breaker tripped or a blown fuse. The bulb has burned out. The light button is "OFF".
Vibrations.	Check to assure that the Wine cooler/beverage cooler is level.
The Wine cooler/beverage cooler seems to make too much noise.	The rattling noise may come from the flow of the refrigerant, which is normal. As each cycle ends, you may hear gurgling sounds caused by the flow of refrigerant in your Wine cooler/beverage cooler. Contraction and expansion of the inside walls may cause popping and crackling noises. The Wine cooler/beverage cooler is not level.
The door will not close properly.	The Wine cooler/beverage cooler is not level. The door was reversed and not properly installed. The gasket is dirty. The shelves are out of position.

To contact the technical assistance, visit our website: <https://corporate.haier-europe.com/en/>
Under the section "website", choose the brand of your product and your country. You will be redirected to the specific website where you can find the telephone number and form to contact the technical assistance

Availability Of Spare Parts

- Thermostats, temperature sensors, printed circuit boards and light sources are available for a minimum period of seven years after placing the last unit of the model on the market.
- Door handles, door hinges, trays and baskets for a minimum period of seven years and door gaskets for a minimum period of 10 year, after placing the last unit of the model on the market.

Recommended temperature SETTINGS

For storing ALL TYPES OF WINES	12 °C to 14 °C
Recommended DRINKING temperature	
Champagne NV, Sparkling	6 °C
Champagne Vintage	10 °C
Dry White Semillon, Sauvignon Blanc	8 °C
Dry White Gewürztraminer, Riesling	10 °C
Dry White Chardonnay	10 °C
Vintage Chardonnay	14 °C
Sweet White Sauternes Monbazillac, Late Harvest ice wine	10 °C
Sweet whites vintage Sauternes	14 °C
Beaujolais	13 °C
Red Pinot Noir	16 °C
Vintage Pinot Noir red	18 °C
Red Cabernet, Merlot, French, Australian, New Zealand, Chilean, Argentinean, Italian, Spanish, Californian	18 °C
Red Grenache, Syrah	16 °C

For further information about the product, please consult <https://eprel.ec.europa.eu/> or scan the QR on the energy label supplied with the appliance

Čeština

Děkujeme vám za zakoupení tohoto výrobku.

Před použitím chladničky si pozorně přečtěte tento návod k použití, abyste mohli maximálně využít jejích možností. Uchovejte veškerou dokumentaci pro pozdější použití nebo pro další majitele. Tento výrobek je určen výhradně pro použití v domácnosti nebo podobná využití, jako jsou:

- kuchyňské kouty pro zaměstnance v obchodech, kancelářích a na dalších pracovištích,
- statky, hotely, motely a další ubytovací zařízení,
- v ubytovacích zařízeních typu B&B (ubytování se snídaní),
- pro stravovací služby a podobná využití nikoli pro maloobchodní prodej.

Tento spotřebič se smí používat pouze pro účely skladování potravin, přičemž jakékoli jiné použití je považováno za nebezpečné a výrobce nenes odpovědnost za případné nedodržení pokynů.

Doporučujeme vám také, abyste se seznámili se záručními podmínkami.

BEZPEČNOSTNÍ INFORMACE

Pozorně si přečtěte pokyny pro provoz a instalaci! Obsahují důležité informace o tom, jak instalovat, používat a udržovat spotřebič.

Jestliže nedodržíte pokyny a varování, výrobce neponese odpovědnost. Uchovejte všechny dokumenty pro následné použití nebo pro nového vlastníka

- **Nepřipojujte spotřebič k elektrickému napájení, dokud nebudou odstraněny všechny obaly a chrániče pro přepravu. Uchovávejte obalový materiál a jeho součásti mimo dosah dětí. Hrozí nebezpečí udušení skládacími krabicemi a plastovou fólií!**
- **Před zapnutím nechte stát nejméně 4 hodiny, aby se kompresorový olej mohl usadit, pokud byla přeprava prováděna v horizontální poloze.**
- **Při dodání zkontrolujte, zda produkt není poškozen a že všechny součásti a příslušenství jsou v dokonalém stavu.**
- **Nesmí dojít k poškození chladicího okruhu.**
- **Větrací otvory ve skříni spotřebiče nebo ve vestavné konstrukci musí zůstat volné.**
- **Nikdy nepoužívejte vodu k mytí polohy kompresoru, po očištění jej důkladně otřete suchým hadříkem, abyste zabránili korozi.**
- **Se spotřebičem vždy manipulujte alespoň ve dvou osobách, protože je těžký**
- **Nainstalujte spotřebič na místo odpovídající jeho velikost a používání a vyrovnejte ho**
- **Ujistěte se, že parametry elektrického napájení se shodují s údaji na typovém štítku. V opačném případě kontaktujte elektrikáře**
- **Spotřebič pracuje s napájením 220–240 VAC/50 Hz. Nenormální kolísání napětí může způsobit, že spotřebič se nespustí, nebo se poškodí regulátor teploty či kompresor, případně se může za chodu**

ozývat neobvyklý hluk. V takovém případě by se měl nainstalovat automatický regulátor

- Pouze pro Spojené království: Napájecí kabel spotřebiče je vybaven trojpólovou zástrčkou (s uzemněním), která se zapojuje do standardní trojpólové zásuvky (s uzemněním). Nikdy neodřezávejte ani nedemontujte třetí kolík (uzemnění). Zástrčka by měla být přístupná po instalaci spotřebiče
- Dbejte na to, aby během přepravy a po přepravě/přemístování spotřebiče nebyl síťový kabel zachycen pod spotřebičem, aby nedošlo k přeseknutí nebo poškození síťového kabelu. Pokud je napájecí kabel poškozen, musí být vyměněn výrobcem, jeho servisním technikem nebo podobně kvalifikovanou osobou, aby se zabránilo nebezpečí.
- Neumísťujte spotřebič ve vlhkém, mastném nebo prašném prostředí, ani jej nevystavujte přímému slunečnímu záření a působení vody.
- Neumísťujte spotřebič do blízkosti topných těles nebo hořlavých materiálů.
- PRO spotřebiče s mrazákem: pokud dojde k výpadku napájení, neotevírejte víko. Jestliže trvá výpadek méně hodin, než je uvedeno na typovém štítku (Doba vzrůstu teploty), nemělo by to ovlivnit zmrazené potraviny. Jestliže trvá výpadek déle, je nutné potraviny zkontrolovat a okamžitě zkonzumovat, nebo uvařit a potom opět zmrazit
- Pokud zjistíte, že víko spotřebiče se ihned po zavření obtížně otvírá, nemějte obavy. Je to způsobeno rozdílem tlaku, který se vyrovná a za několik minut budete moci víko normálně otevřít
- Ve spotřebiči neskladujte léky, bakterie ani chemické látky. Tento spotřebič je určen k použití v domácnosti, nedoporučuje se v něm skladovat materiály, které vyžadují přesně stanovené teploty
- Netahejte silou za přívodní kabel ani jej neskládejte a nedotýkejte se zástrčky mokřýma rukama.
- Ve spotřebiči neskladujte látky obsahující hořlavý hnací plyn (např. aerosolové nádoby) nebo výbušné látky. Hrozí nebezpečí výbuchu!
- Nepokládejte na horní stranu chladničky nestabilní předměty (těžké předměty, nádoby naplněné vodou), aby se předešlo zranění způsobenému pádem nebo elektrickým proudem v důsledku styku s vodou
- Nepoužívejte elektrické spotřebiče uvnitř úložných oddílů pro potraviny ve spotřebiči, pokud nejsou tyto typy přímo doporučeny výrobcem.
- Nedotýkejte se vnitřních chladicích prvků, zejména mokřýma rukama, aby nedošlo k prasknutí nebo zranění.

- **Nebezpečí hrozí dětem, osobám s omezenými fyzickými, smyslovými nebo duševními schopnostmi, stejně jako osobám s nedostatečnými znalostmi o bezpečném používání spotřebiče. Zkontrolujte, zda děti a ohrožené osoby chápou nebezpečí. Osoba zodpovědná za bezpečnost musí dohlížet na děti a ohrožené osoby používající spotřebič, nebo je musí poučit. Spotřebič mohou používat pouze děti starší osmi let"**
- **Děti si se spotřebičem nesmějí hrát.**
- **Děti ve věku od 3 do 8 let mohou do tohoto spotřebiče vkládat a vyjímat z něj věci.**
- **PRO spotřebiče s mrazákem: neukládejte do mrazáku tekutiny v láhvích nebo plechovkách (zejména nápoje sycené oxidem uhličitým). Láhve a plechovky mohou prasknout!**
- **PRO spotřebiče s mrazákem: nikdy nevkládejte do úst zmrazené potraviny přímo z mrazáku. Hrozí nebezpečí vzniku omrzlin!**
- **Chraňte plastové součásti a těsnění dveří před olejem a tukem. Jinak by se na plastových součástech a těsnění dveří mohly vytvořit póry**
- **Před provedením jakéhokoli úkonu odpojte napájecí kabel ze zásuvky.**
- **Nepoužívejte mechanické nástroje nebo jiné prostředky k urychlení procesu odmrazování, pokud nejsou doporučeny výrobcem.**
- **K odstranění námrazy nepoužívejte špičaté nebo ostré předměty, jako jsou nože nebo vidličky. K odmrazování nikdy nepoužívejte vysoušeče vlasů, elektrické ohříváče nebo jiné podobné elektrické spotřebiče.**
- **Doporučuje se udržovat zástrčku v čistotě, neboť nadměrný nános prachu na zástrčce může být příčinou požáru.**
- **Nepokoušejte se opravovat, rozebírat nebo upravovat spotřebič vlastními silami. Je-li nutná oprava, vždy se obraťte na náš zákaznický servis.**
- **Během čištění nebo údržby spotřebiče dohlížejte na děti.**
- **Nečistěte chladné skleněné police horkou vodou. Náhlá změna teploty by mohla způsobit, že sklo praskne.**
- **VAROVÁNÍ: V trubicích chladicího okruhu proudí malé množství chladiva (R600a) a izolačního plynu (cyklopentanu); tyto látky jsou šetrné k životnímu prostředí, ale hořlavé. Nepoškozují ozónovou vrstvu a nezvyšují účinky skleníkového efektu. Pokud chladivo unikne, mohlo by vám poškodit zrak, nebo by se mohlo vznítit.**
- **Pokud dojde k poškození okruhu chladiva:**
 - **Vypněte spotřebič a vytáhněte zástrčku ze zásuvky.**

- Nepřibližujte se ke spotřebiči s otevřeným plamenem a/nebo zdroji vznícení.
- Důkladně vyvětrejte místnost, větrejte několik minut.
- Informujte zákaznický servis.
- **VAROVÁNÍ:** Nepoškodte zástrčku a/nebo napájecí kabel; mohlo by to způsobit úraz elektrickým proudem nebo požár.
- **VAROVÁNÍ:** Nepoužívejte přenosné rozbočovací zásuvky ani přenosné zdroje napájení.
Nedoporučujeme používat prodlužovací kabely ani rozbočovací adaptéry.
- Nepokoušejte se sedat si nebo stoupat na horní stranu spotřebiče. Mohli byste se zranit nebo poškodit spotřebič. Spotřebič není konstruován pro umístění na jiné spotřebiče.
- Produkt je navržen a vyroben pouze pro domácí použití v domácnosti.
- Lze používat pouze originální náhradní díly dodané výrobcem. Výrobce zaručuje, že pouze takové díly splňují bezpečnostní požadavky.
- Otevírání dveří na dlouhou dobu může v oddílech spotřebiče způsobit výrazné zvýšení teploty
- Pravidelně čistěte povrchy, které mohou přijít do styku s potravinami, a přístupné odvodňovací systémy
- Vyčistěte nádržky na vodu, pokud nebyly použity po dobu 48 hodin; pokud voda nebyla odebrána po dobu 5 dnů, propláchněte vodní systém připojený k přívodu vody
- Syrové maso a ryby skladujte ve vhodných nádobách v chladničce tak, aby nepřicházely do kontaktu s jinými potravinami nebo aby z nich nekapalo na jiné potraviny
- Dvouhvězdičkové oddíly pro zmrazené potraviny (pokud se ve spotřebiči nacházejí) jsou vhodné pro skladování předem zmrazených potravin, skladování nebo výrobu zmrzliny a výrobu kostek ledu
- Jedno-, dvou- a tříhvězdičkové oddíly (pokud se ve spotřebiči nacházejí) nejsou vhodné pro zmrazování čerstvých potravin
- Pokud necháváte spotřebič dlouhou dobu prázdný, vypněte jej, odmrazte, vyčistěte, vysušte a nechte dveře otevřené, aby se zabránilo tvorbě plísní uvnitř spotřebiče
- U spotřebičů pro uchovávání vína: Tento spotřebič je určen výhradně k uchovávání vína
- U volně stojícího spotřebiče: Tento chladicí spotřebič není určen k vestavění
- U spotřebičů bez prostoru označeného čtyřmi hvězdičkami: Tento chladicí spotřebič není vhodný pro mražení potravin

Likvidace starých spotřebičů



Tento spotřebič je označen v souladu s evropskou směrnicí 2012/19/EU o odpadních elektrických a elektronických zařízeních (WEEE).

Spotřebič podléhající WEEE obsahuje znečišťující látky (které mohou mít negativní dopad na životní prostředí) a základní součásti (které lze znovu použít). U spotřebiče podléhajícího WEEE je důležité nechat provést zvláštní zpracování, aby všechny znečišťující látky byly odstraněny a řádně zlikvidovány a aby všechny materiály byly obnoveny a zrecyklovány.

Jednotlivci mohou hrát důležitou roli při zajišťování toho, aby se spotřebič podléhající WEEE nestal zátěží pro životní prostředí. Je nezbytné dodržovat několik základních pravidel:

- Spotřebič podléhající WEEE se nesmí likvidovat jako domovní odpad;
- Spotřebič podléhající WEEE se musí předat na příslušné sběrné místo pod správou obce nebo autorizovaných společností. V mnoha zemích může být v případě velkých spotřebičů podléhajících WEEE k dispozici domovní sběr.

V mnoha zemích, když si zakoupíte nový spotřebič, můžete starý spotřebič vrátit prodejci, který jej musí přijmout zdarma na základě výměny kus za kus, pokud je zařízení stejného typu a má stejné funkce jako dodané zařízení.

Shoda

Umístěním značky **CE** na tento produkt potvrzujeme shodu se všemi příslušnými evropskými požadavky na bezpečnost, zdraví a životní prostředí, které se uplatňují dle právních předpisů pro tento produkt.

Záruka

Minimální záruka je: 2 roky pro země EU, 3 roky pro Turecko, 1 rok pro Spojené království, 1 rok pro Rusko, 3 roky pro Švédsko, 2 roky pro Srbsko, 5 let pro Norsko, 1 rok pro Maroko, 6 měsíců pro Alžírsko, pro Tunisko není vyžadována žádná právní záruka.

Úspora energie

Pro lepší úsporu energie doporučujeme:

- Instalujte spotřebič v dobře větrané místnosti, daleko od zdrojů tepla a nevystavujte jej přímému slunečnímu záření.
- Vyvarujte se vkládání horkých potravin do chladničky, abyste se vyhnuli nárůstu vnitřní teploty a s tím spojenému nepřetržitému chodu kompresoru.
- Neukládejte nadměrné množství potravin, aby bylo zajištěno dostatečné proudění vzduchu.
- Odmrazujte spotřebič v případě výskytu ledu, abyste usnadnili přenos chladu.
- V případě výpadku elektrické energie se doporučuje nechat dveře chladničky zavřené.
- Otevírejte nebo ponechávejte dveře spotřebiče otevřené v co nejmenším možném rozsahu.
- Vyvarujte se úpravě nastavení na příliš nízké teploty.
- Odstraňujte prach ze zadní části spotřebiče.

Vyměnitelný světelný zdroj (pouze LED), výměnu musí provést odborník
Tento výrobek obsahuje světelný zdroj s třídou energetické účinnosti G.

POKYNY K INSTALACI

➤ Před použitím chladničky na víno

- Odstraňte vnější a vnitřní obal.
- Před připojením chladničky na víno ke zdroji napájení ji nechte stát přibližně 2 hodiny ve vzpřímené poloze. Tím se sníží možnost závady chladicího systému manipulací při přepravě.
- Očistěte vnitřní plochy měkkou utěrkou namočenou ve vlažné vodě.
- Spotřebič je určen k použití v domácnosti a v podobných prostředích, například
 - v kuchyňských prostorách pro zaměstnance v obchodech, kancelářích a jiných pracovních prostředích;
 - v zemědělských domech a místnostech klientů v hotelech, motelech a jiných obytných prostředích;
 - v prostředích pro nocleh se snídaní;
 - ve stravovacích a podobných zařízeních mimo maloobchod.
- Při likvidaci spotřebiče zvolte autorizované místo likvidace.

➤ Instalace chladničky na víno

- Tento spotřebič je určen k instalaci ve volném stoje nebo vestavěný (plně zapuštěný) (viz umístění nálepky na zadní straně tohoto spotřebiče).
- **Tento spotřebič je určen výhradně pro skladování vína nebo nápojů.**
- Umístěte chladničku na víno na dostatečně pevnou podlahu, aby ji po plném naložení unesla. Chcete-li vyrovnat chladničku na víno, nastavte přední vyrovnávací nohu ve spodní části chladničky na víno.
- Tento spotřebič používá hořlavé chladivo, takže během přepravy nikdy nepoškozujte chladicí potrubí. Umístěte chladničku na víno mimo přímé sluneční světlo a zdroje tepla (sporák, topení, radiátor atd.). Přímým slunečním osvětlením by se mohl poškodit akrylový povrch a blízké zdroje tepla by mohly zvýšit spotřebu elektrické energie. Extrémně nízká okolní teplota může také vést k tomu, že spotřebič nebude fungovat správně.
- Nedávejte jednotku do vlhkých míst.
- Připojte chladničku na víno do vyhrazené, řádně uzemněné zásuvky. Za žádných okolností neodřezávejte ani jinak neodstraňujte z dodané napájecí šňůry třetí (uzemňovací) kolík. Se všemi otázkami ohledně napájení či uzemnění se obraťte přímo na kvalifikovaného elektrikáře nebo autorizované servisní středisko výrobce.

➤ Pozor

- Skladujte víno v uzavřených lahvích;
- Skříň nepřepřehývejte;
- Neotvírejte dvířka, pokud to není nutné;
- Nezakrývejte police hliníkovou fólií nebo jiným materiálem, který by mohl bránit proudění vzduchu;
- Pokud je chladnička na víno skladována bez použití po dlouhou dobu, doporučuje se po pečlivém vyčištění nechat dvířka otevřená, aby mohl vzduch cirkulovat uvnitř skříně, aby nedocházelo k tvorbě kondenzace, plísní nebo zápachu.

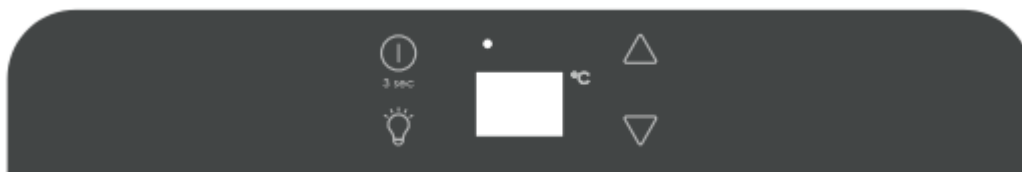
➤ Mezní hodnoty okolní teploty

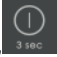



Tento spotřebič je konstruován pro provoz při okolních teplotách stanovených jeho teplotní třídou vyznačenou na jmenovitém štítku.

- Rozšířené mírné pásmo (SN): „Tento chladicí spotřebič je určen k používání při teplotách okolí od 10 °C do 32 °C.“
- Mírné pásmo (N): „Tento chladicí spotřebič je určen k používání při teplotách okolí od 16 °C do 32 °C.“
- Subtropické pásmo (ST): „Tento chladicí spotřebič je určen k používání při teplotách okolí od 16 °C do 38 °C.“
- Tropické pásmo (T): „Tento chladicí spotřebič je určen k používání při teplotách okolí od 16 °C do 43 °C.“

PROVOZ CHLADNIČKY NA VÍNO/CHLADNIČKY NA NÁPOJE A NASTAVENÍ REGULACE TEPLoty

➤ Pokyny pro ovládací systém





- **Tlačítko „“**
Pro ovládání zapnutí/vypnutí tohoto spotřebiče (stiskněte a podržte tato tlačítka přibližně 3 sekundy).
- **Tlačítko „“**
Pro ovládání zapnutí/vypnutí vnitřního osvětlení.
- **Tlačítko NAHORU „“**
Slouží ke zvýšení (ohřevu) teploty v krocích po 1 °F (1 °C).
- **Tlačítko DOLŮ „“**
Slouží ke snížení (chlazení) teploty v krocích po 1 °F (1 °C).
- **„o“**
Kontrolka svítí, což znamená, že režim chlazení je aktuálně v provozu.
- **„DISPLEJ“**
Zobrazuje nastavenou teplotu.

➤ Nastavení regulace teploty

Požadovanou teplotu chlazení nastavte stisknutím tlačítek vedle indikátorů „“ nebo „“.

Každým stisknutím tlačítek procházíte dostupnými nastaveními teploty v krocích po 1 °C.

Teplotu lze nastavit od 5 °C do 18 °C.

Chcete-li zjistit každou skutečnou vnitřní teplotu, stiskněte a podržte tlačítko „“ nebo tlačítko „“ po dobu 3 sekund, LED bliká a zobrazuje skutečnou teplotu. Po uvolnění tlačítka na 5 sekund LED obrázek přestane blikat a poté se vrátí zpět a zobrazí se nastavená teplota.

Blikající LED = teplota skříně

Nepřetržitě svítící LED = nastavená teplota

➤ Teplotní alarm

Pokud je teplota uvnitř vyšší než 23 °C, na displeji se zobrazí „HI“ , a po jedné hodině zazní alarm / bzučák. To znamená, že teplota uvnitř je příliš vysoká. Pokud je teplota uvnitř nižší než 0 °C, na displeji se zobrazí „LO“ a současně je aktivní indikátor poruchy i alarmu.

➤ **Funkce obnovení teploty**

V případě přerušení napájení si chladnička na víno může zapamatovat předchozí nastavení teploty a při obnovení napájení se teplota chladničky vrátí na stejnou nastavenou teplotu jako při vypnutí napájení.

➤ **Vnitřní osvětlení**

Aby se snížila spotřeba energie, v této vinotéce se automaticky vypne LED osvětlení po 10 minutách. Pokud chcete, aby LED osvětlení nepřetržitě svítilo, je to možné. Stiskněte a podržte tlačítko „LIGHT“ (OSVĚTLENÍ) po dobu 5 sekund, na displeji se zobrazí „LP“. Po 4 sekundách se displej vrátí do normálu a osvětlení zůstane rozsvíceno, dokud se ručně nevypne.

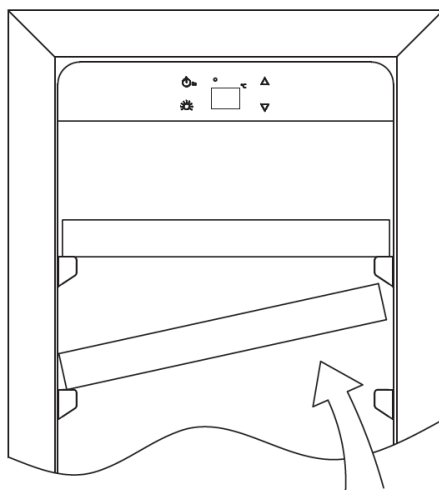
Chcete-li se vrátit k původnímu nastavení a šetřit energii (doporučeno), stiskněte a podržte tlačítko „LIGHT“ (OSVĚTLENÍ) po dobu 5 sekund, na displeji se zobrazí „LF“, po 4 sekundách se displej vrátí zpět do normálu a osvětlení se automaticky vypne po 10 minutách.

➤ **Police**

- Aby nedošlo k poškození těsnění dvířek, ujistěte se, že jsou při vytahování polic z prostoru kolejnice dvířka zcela otevřená.
- Pro snadný přístup k uloženému obsahu je nutné vytáhnout police přibližně z 1/3 z prostoru kolejnice, nicméně tato jednotka byla navržena se zářezem na obou stranách kolejí pro police, aby se zabránilo pádu lahví.
- Chcete-li při vyjímání kterékoli z těchto polic z prostoru kolejnice vložit nebo vyjmout polici, nakloňte polici podle schématu a jednoduše ji vytáhněte nebo zatlačte, dokud se bezpečně neuloží na podpěrné konzoly.

➤ **POZNÁMKA:**

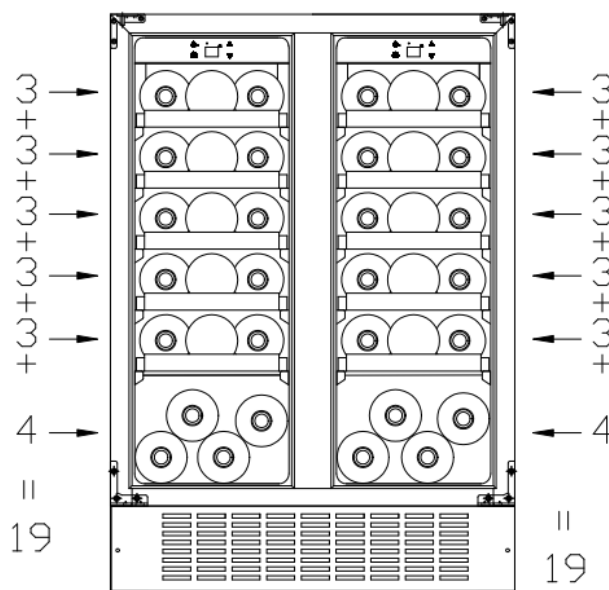
- Pokud je jednotka odpojena, dojde ke ztrátě nebo vypnutí napájení, musíte před restartováním vyčkat 3 až 5 minut. Pokud se pokusíte restartovat před tímto zpožděním, chladnička na víno/chladnička na nápoje se nespustí.
- Při prvním použití chladničky na víno/chladničky na nápoje nebo restartování chladničky na víno/chladničky na nápoje po dlouhém vypnutí může dojít k několika stupňům rozdílu mezi vámi zvolenou teplotou a teplotou uvedenou na LED indikátoru. To je běžné a je to kvůli délce aktivací doby. Jakmile bude chladnička na víno/chladnička na nápoje několik hodin v provozu, vše se vrátí do normálu.



➤ **Schéma uložení**

V závislosti od aktuální konfigurace vašeho produktu zkontrolujte příslušné schéma uložení.

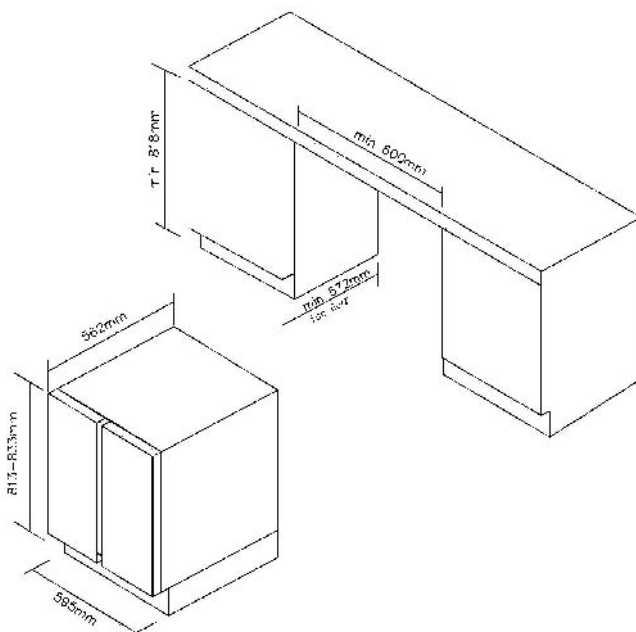
Celkem: 38 lahví (max.)



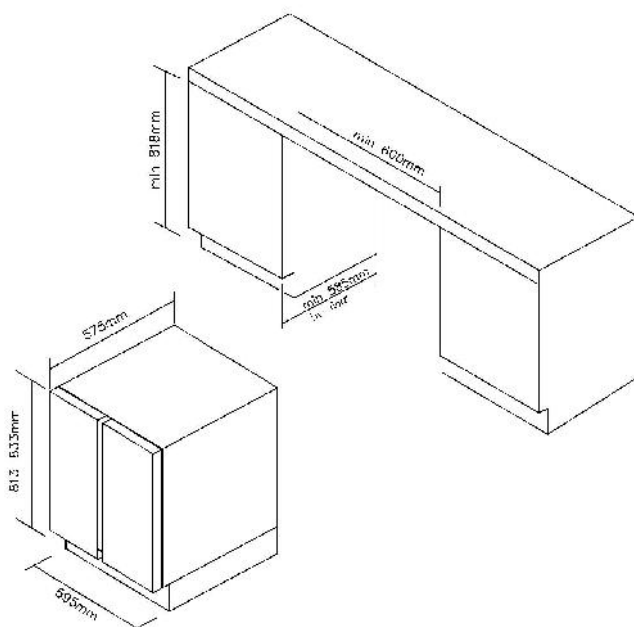
Energeticky nejúspornější konfigurace vyžaduje, aby byly ve spotřebiči nainstalovány přihrádky, schránka na potraviny a police, viz obrázky výše.

➤ **Specifikace instalace pro zabudování**

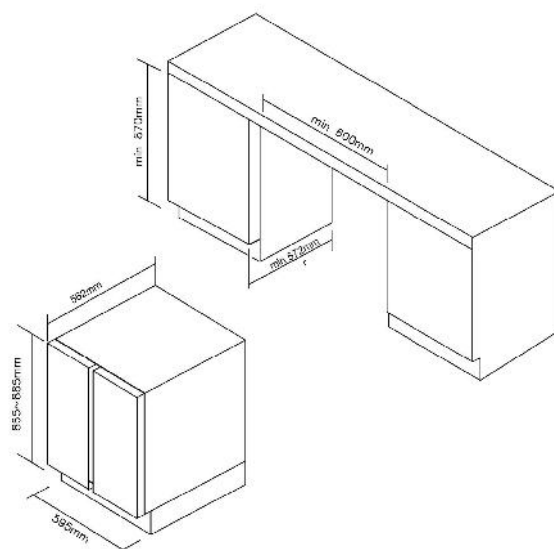
Pro výšku 813 mm s celoskleněnými / nerezovými dveřmi



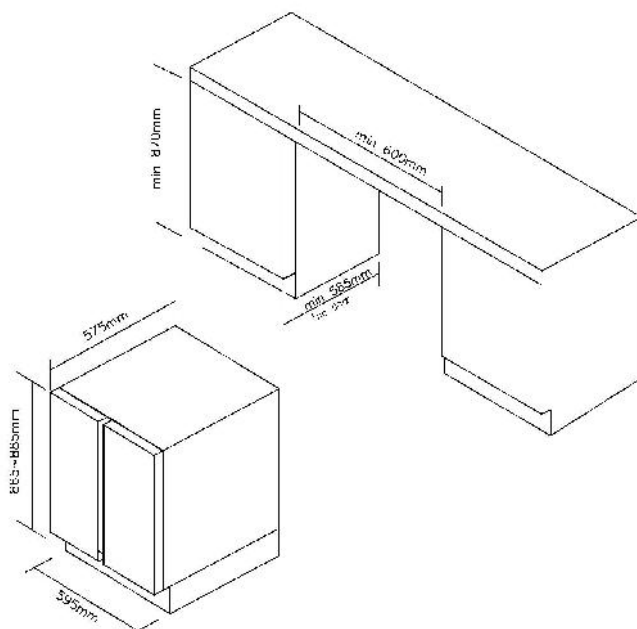
Pro výšku 813 mm s úzkými nerezovými dvířky



Pro výšku 865 mm s celoskleněnými / nerezovými dveřmi



Pro výšku 865 mm s úzkými nerezovými dvířky



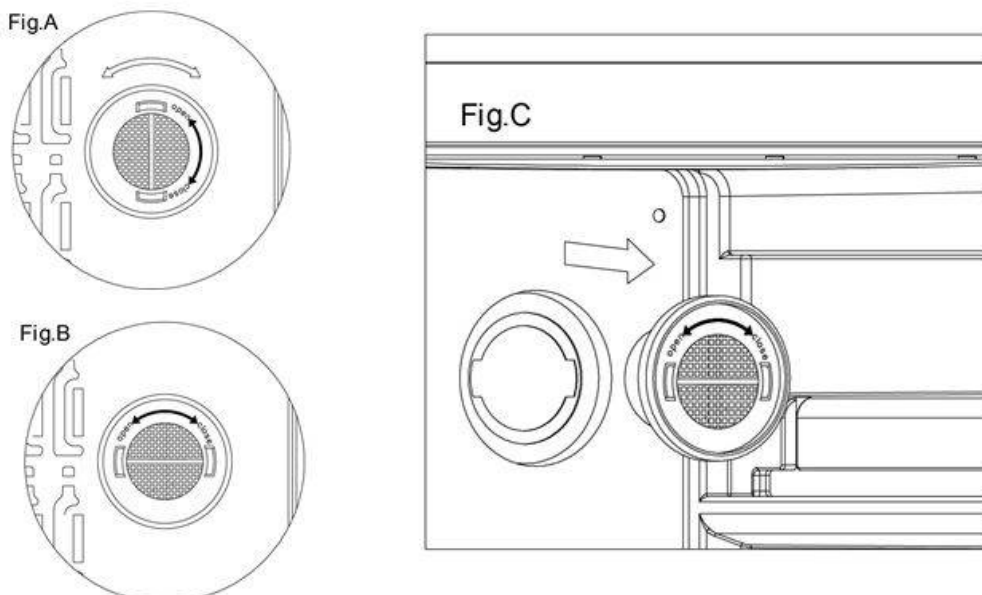
PÉČE A ÚDRŽBA

➤ Čištění chladničky na víno

- Vypněte napájení, odpojte spotřebič a odstraňte všechny položky, včetně polic a stojanu.
- Vnitřní povrchy umyjte roztokem teplé vody s jedlou sodou. Pro vytvoření roztoku rozpustíte 2 polévkové lžice v jednom litru vody.
- Police umyjte jemným roztokem čisticího prostředku.
- Při čištění oblasti ovládacích prvků nebo jakýchkoli elektrických částí odstraňte přebytečnou vodu z houby nebo hadříku.
- Vnější povrch umyjte teplou vodou a jemným tekutým čisticím prostředkem. Dobře opláchněte a otřete do sucha čistým měkkým hadříkem.

➤ **Jak vyměnit uhlíkový filtr (pokud jsou ve vašem spotřebiči přítomny)**

- Uhlíkové filtry jsou umístěny v levém horním rohu každé zóny vinotěky.
- Otevřete dvířka a vyjměte 2 horní police (viz vyjmutí polic).
- Otočte filtr podle obr. A.
- Podle obr. B by měl být filtr zarovnan se zářezy, jak je znázorněno na obrázku.
- Vytáhněte filtr (obr. C).
- Vložte náhradní filtr a otočte jej podle obr. A, aby byl zajištěn.
- Vložte police zpět.



➤ **Výpadek dodávky elektřiny**

- Většina výpadků napájení je vyřešena během několika hodin a neměla by ovlivnit teplotu spotřebiče, pokud minimalizujete počet otevření dvířek. Při dlouhodobějším výpadku proudu musíte přijmout opatření na ochranu vín v ní uložených.

➤ **Doba dovolené**

- **Krátká dovolená:** Během dovolené kratší než tři týdny nechte chladničku na víno v provozu.
- **Dlouhá dovolená:** Pokud nebude spotřebič používán několik měsíců, odstraňte všechny položky a vypněte jej. Vyčistěte a důkladně vysušte vnitřek spotřebiče. Abyste zabránili vzniku zápachu a plísní, nechte dvířka mírně otevřená: v případě potřeby je zablokujte otevřená.

➤ **Přemístění chladničky na víno**

- Vyberte všechny položky.
- Upevněte pečlivě všechny volné díly (police) uvnitř spotřebiče.
- Nastavitelnou nohu otočte nahoru k základně, aby nedošlo k poškození.
- Zajistěte dvířka páskou.
- Během přepravy zajistěte, aby spotřebič zůstal ve vzpřímené poloze. Chraňte také vnější povrch spotřebiče příkrývkou nebo podobným předmětem.

➤ **Tipy pro úsporu energie**

- Chladnička na víno by měla být umístěna v nejchladnější části místnosti, mimo dosah spotřebičů produkujících teplo a mimo přímé sluneční světlo.

PROBLÉMY S CHLADNIČKOU NA VÍNO/CHLADNIČKOU NA NÁPOJE?

Mnoho běžných problémů s chladničkou na víno/chladničkou na nápoje můžete snadno vyřešit, čímž ušetříte náklady na možný servisní hovor. Než zavoláte na servis, pokuste se problém vyřešit podle níže uvedených doporučení.

PRŮVODCE ŘEŠENÍM PROBLÉMŮ

PROBLÉM	MOŽNÁ PŘÍČINA
Chladnička na víno/chladnička na nápoje nefunguje.	Není zapojená v zásuvce. Spotřebič je vypnutý. Vypadlý jistič nebo spálená pojistka.
V chladničce na víno/chladničce na nápoje není dostatečný chlad.	Zkontrolujte nastavení regulace teploty. Je možné, že je v daném prostředí nutno nastavit nižší teplotu. Dveře jsou otevírané příliš často. Dveře nejsou řádně zavřené. Dveřní těsnění netěsní.
Často se zapíná a vypíná.	Teplota v místnosti je vyšší než normálně. Do chladničky na víno/chladničky na nápoje bylo přidáno velké množství obsahu. Dveře jsou otevírané příliš často. Dveře nejsou řádně zavřené. Ovladač teploty není správně nastavený. Dveřní těsnění netěsní.
Světlo nesvíí.	Není zapojená v zásuvce. Vypadlý jistič nebo spálená pojistka. Žárovka je spálená. Tlačítko osvětlení je „VYPNUTO“.
Vibrace.	Zkontrolujte, zda je chladnička na víno/chladnička na nápoje vyrovnaná.
Zdá se, že chladnička na víno/chladnička na nápoje vydává příliš velký hluk.	Hrčení může být způsobeno prouděním chladiva, což je normální. Jak každý cyklus končí, můžete slyšet bublání způsobené průtokem chladiva v chladničce na víno/chladničce na nápoje. Kontrakce a rozšíření uvnitř stěn může způsobit pukání a praskání. Chladnička na víno/chladnička na nápoje není vyrovnaná.
Dveře se nedají řádně zavřít.	Chladnička na víno/chladnička na nápoje není vyrovnaná. Dvířka byla obrácena a nebyla správně nainstalována. Těsnění je znečištěné. Police nejsou na svém místě.

Chcete-li kontaktovat technickou pomoc, navštivte naše webové stránky: <https://corporate.haier-europe.com/en/>. V sekci „websites“ vyberte značku vašeho produktu a vaši zemi. Budete přeměrováni na konkrétní webovou stránku, kde najdete telefonní číslo a formulář pro kontaktování technické pomoci

➤ **Dostupnost náhradních dílů**

- Termostaty, teplotní čidla, desky plošných spojů a zdroje světla, po dobu alespoň sedmi let poté, co byl na trh uveden poslední kus daného modelu;
- Dveřní kliky, dveřní závěsy, přihrádky a koše po dobu alespoň sedmi let a těsnění dveří po dobu alespoň deseti let poté, co byl na trh uveden poslední kus daného model

Doporučená NASTAVENÍ teploty

Pro skladování VŠECH DRUHŮ VÍN

12 °C to 14 °C

Doporučená PITNÁ teplot

Šampaňské neročnickové, šumivé

6 °C

Šampaňské ročnickové

10 °C

Suchý bílý semilon, Sauvignon Blanc

8 °C

Suchý bílý Gewürztraminer, Ryzlink

10 °C

Suché bílé Chardonnay

10 °C

Ročnickové Chardonnay

14 °C

Sladké bílé Sauternes Monbazillac, pozdní sklizeň ledového vína

10 °C

Sladké bílé ročnickové Sauternes

14 °C

Beaujolais

13 °C

Rulandské modré

16 °C

Ročnickové Rulandské modré

18 °C

Červený Cabernet, Merlot, francouzský, australský, novozélandský, chilský, argentinský, italský, španělský, kalifornský

18 °C

Red Grenache, Syrah

16 °C

Další informace o produktu naleznete na adrese <https://eprel.ec.europa.eu/> nebo naskenujte QR na energetickém štítku dodaném se zařízením

Español

Gracias por comprar este producto.

Antes de utilizar el frigorífico, lea con atención el manual de instrucciones para aprovechar al máximo sus prestaciones. Guarde toda la documentación para utilizarla más adelante o para otros propietarios. Este producto es para uso doméstico o para aplicaciones similares exclusivamente; por ejemplo:

- Cocina para el personal de tiendas, oficinas y otros lugares de trabajo
- Fincas rústicas, clientes de hoteles, moteles y otros entornos residenciales
- Habitaciones de huéspedes (Bed and Breakfasts)
- Servicios de catering y aplicaciones similares no destinadas a la venta al por menor

Este electrodoméstico solo debe utilizarse para conservar alimentos, cualquier otro uso se considera peligroso y el fabricante no se responsabilizará cuando se incumplan las instrucciones. Asimismo, se recomienda tomar nota de las condiciones de la garantía.

INFORMACIÓN DE SEGURIDAD

¡Lea atentamente las instrucciones de funcionamiento e instalación! Contienen información importante sobre cómo instalar, utilizar y mantener este electrodoméstico. El fabricante no se hace responsable si no cumple las instrucciones y advertencias. Guarde todos los documentos para consultas o propietarios futuros."

- **No conecte el electrodoméstico a la red eléctrica hasta retirar por completo todos los embalajes y protectores para el transporte. Mantenga a los niños alejados del embalaje y de sus partes. ¡Los cartones plegables y el film plástico suponen un peligro de asfixia!"**
- **Si el electrodoméstico se ha transportado en horizontal, espere al menos 4 horas antes de encenderlo para que el aceite del compresor se asiente.**
- **Cuando reciba el electrodoméstico, compruebe que no está dañado y que todos los componentes y accesorios se encuentran en perfecto estado.**
- **No dañe el circuito de refrigerante.**
- **Mantenga despejadas las ranuras de ventilación de la carcasa del electrodoméstico o de la estructura integrada.**
- **No utilice agua para limpiar la zona del compresor; pase meticulosamente un trapo seco después de limpiar para evitar que se oxide.**
- **Este electrodoméstico es pesado: manipúlelo con la ayuda de otra persona.**
- **Instale y nivele el electrodoméstico en un área adecuada para su tamaño y uso.**
- **Asegúrese de que la información eléctrica de la etiqueta de características coincida con la fuente de alimentación. Si no es así, póngase en contacto con un electricista.**

- Este electrodoméstico funciona mediante una fuente de alimentación de 220-240 V CA/50 Hz. Una fluctuación anormal del voltaje puede provocar que el electrodoméstico no se ponga en marcha, o que se dañe el control de temperatura o el compresor, o que se oiga un ruido anormal durante el funcionamiento. En tal caso, se deberá instalar un regulador automático.
- Solo para el Reino Unido: El cable de alimentación de este electrodoméstico está equipado con un enchufe de 3 cables (a tierra) que se ajusta a una toma de corriente estándar de 3 cables (a tierra). No corte ni desmonte la tercera patilla (toma de tierra). Una vez instalado el electrodoméstico, el enchufe debe ser accesible.
- Asegúrese de que el cable eléctrico no quede atrapado debajo el electrodoméstico durante y después de su transporte/traslado para evitar cortes o daños en el cable. Para evitar riesgos, el fabricante, su representante de servicio o cualquier otra persona cualificada deben cambiar cualquier cable de alimentación que esté dañado
- No instale el electrodoméstico en lugares húmedos, con grasa o polvo, ni lo exponga a la luz solar directa y al agua.
- No instale el electrodoméstico cerca de calentadores o materiales inflamables.
- PARA electrodomésticos con compartimento congelador: en caso de corte del suministro eléctrico, no abra la puerta. Los alimentos congelados no deben verse afectados si el corte dura menos que las horas indicadas en la etiqueta de valores máximos (tiempo de aumento de la temperatura). Si el corte se prolonga durante más tiempo, deberá procederse a la comprobación de los alimentos y consumirse de inmediato; también se pueden cocinar y volver a congelar.
- Si le resulta difícil abrir la puerta del electrodoméstico justo después de cerrarla, no se preocupe. Esto se debe a la diferencia de presión que deberá ecualizarse para permitir que la puerta vuelva a abrirse normalmente transcurridos unos minutos.
- No almacene medicamentos, bacterias ni agentes químicos en el electrodoméstico. Este aparato es un electrodoméstico: no se recomienda almacenar materiales que requieran temperaturas extremas.
- No tire del cable ni doble demasiado; tampoco debe tocar el enchufe con las manos mojadas.
- No almacene productos que contengan propelentes inflamables (p.ej.: aerosoles) o sustancias explosivas en el electrodoméstico. ¡ Peligro de explosión!

- **No coloque artículos inestables (objetos pesados, recipientes llenos de agua) en la parte superior del frigorífico, a fin de evitar lesiones personales causadas por caídas o descargas eléctricas causadas por el contacto con el agua.**
- **No utilice aparatos eléctricos dentro de los compartimentos para la conservación de alimentos del electrodoméstico, a menos que sean del tipo que recomienda el fabricante.**
- **Para evitar cortes o lesiones, no toque los elementos internos de refrigeración, sobre todo con las manos húmedas.**
- **Aquí están en riesgo los niños, las personas con capacidades físicas, mentales o sensoriales limitadas y las personas con conocimientos inadecuados sobre el funcionamiento seguro de este electrodoméstico. Compruebe que los niños y las personas vulnerables hayan entendido los riesgos. Una persona responsable de la seguridad debe supervisar o instruir a los niños y a las personas vulnerables que utilicen este electrodoméstico. Solo los niños mayores de 8 años pueden usar este electrodoméstico.**
- **Los niños no deben jugar con el electrodoméstico**
- **Está permitido que los niños de 3 a 8 años de edad carguen o descarguen este aparato.**
- **PARA electrodomésticos con compartimento congelador: no almacene líquidos embotellados o enlatados (especialmente bebidas carbonatadas) en el congelador. ¡Las botellas y latas pueden explotar!**
- **PARA electrodomésticos con compartimento congelador: nunca se ponga alimentos congelados en la boca directamente desde el congelador. ¡Peligro de quemaduras por baja temperatura!**
- **Mantenga las piezas de plástico y la junta de la puerta limpias de aceite y grasa. De lo contrario, las partes plásticas y la junta de la puerta se volverán porosas.**
- **Antes de realizar cualquier operación, desconecte el cable eléctrico de la toma de corriente.**
- **No utilice aparatos mecánicos ni otros medios para acelerar el proceso de descongelación y siga las recomendaciones del fabricante.**
- **No utilice objetos afilados o puntiagudos, como cuchillos o tenedores, para quitar el hielo. Nunca utilice secadores de pelo, calentadores eléctricos u otros aparatos eléctricos para descongelar el electrodoméstico.**
- **Se recomienda mantener limpio el enchufe. Cualquier acumulación excesiva de polvo en el enchufe podría originar un incendio.**

- **No intente reparar, desmontar o modificar este electrodoméstico por su cuenta. En caso de necesitar reparación, póngase siempre en contacto con nuestro servicio de atención al cliente.**
- **Supervise a los niños mientras se realizan tareas de limpieza o mantenimiento en el electrodoméstico.**
- **No limpie los estantes de cristal fríos con agua caliente. El cambio repentino de temperatura puede causar que el vidrio se rompa.**
- **ADVERTENCIA: Los tubos del circuito de refrigeración transportan una pequeña cantidad de refrigerante ecológico pero inflamable (R600a) y gas aislante (ciclopentano). No daña la capa de ozono y no aumenta el efecto invernadero. Si se producen fugas de refrigerante, este puede causar lesiones en los ojos o inflamarse.**
- **En caso de producirse daños en el circuito de refrigerante:**
 - **Apague el electrodoméstico y desenchúfelo de la red eléctrica.**
 - **Mantenga las llamas abiertas y/o las fuentes de ignición alejadas del electrodoméstico.**
 - **Ventile la habitación durante varios minutos.**
 - **Informe al servicio de atención al cliente.**
- **ADVERTENCIA: No dañe el enchufe o el cable de alimentación; esto podría provocar incendios o descargas eléctricas.**
- **ADVERTENCIA: No utilice tomas de corriente múltiples portátiles ni fuentes de alimentación portátiles. No recomendamos el uso de cables prolongadores ni adaptadores con varias tomas.**
- **No intente sentarse o ponerse de pie en la parte superior del electrodoméstico. Esto podría dañarlo o sufrir lesiones personales. Este electrodoméstico no se puede instalar apilado sobre otro.**
- **El electrodoméstico es un producto diseñado y fabricado para el uso doméstico.**
- **Solo pueden usarse piezas originales suministradas por el fabricante. El fabricante garantiza que solo estas piezas cumplen los requisitos de seguridad.**
- **Abrir la puerta durante un tiempo prolongado puede provocar un aumento significativo de la temperatura en los compartimentos del electrodoméstico**
- **Limpie regularmente las superficies que puedan entrar en contacto con alimentos y sistemas de drenaje accesibles**
- **Limpie los depósitos de agua si no se han utilizado durante 48 horas. Enjuague el sistema de agua conectado al suministro de agua si no se ha extraído agua durante 5 días**
- **Guarde la carne y el pescado crudos en recipientes adecuados en el frigorífico, para evitar que entren en contacto con otros alimentos o goteen sobre ellos**

- **Los compartimentos de congelación de dos estrellas (si el aparato dispone de ellos) son adecuados para conservar alimentos precongelados, guardar o hacer helados y producir cubitos de hielo**
- **Los compartimentos de una, dos y tres estrellas (si el aparato dispone de ellos) no son adecuados para congelar alimentos frescos**
- **Para evitar la aparición de moho, el aparato se debe apagar, descongelar, limpiar y secar, además de dejar la puerta abierta, cuando vaya a permanecer vacío durante largos periodos de tiempo**
- **En el caso de los armarios para la conservación de vinos: Aparato destinado a utilizarse exclusivamente para la conservación de vinos**
- **En el caso de los aparatos de libre instalación: Este aparato no está destinado a utilizarse como aparato encastrable**
- **En el caso de los aparatos sin compartimento de cuatro estrellas: Este aparato no es adecuado para la congelación de productos alimenticios**

Desguace de electrodomésticos antiguos



Este electrodoméstico tiene la marca de conformidad con la Directiva europea 2012/19/UE sobre residuos de aparatos eléctricos y electrónicos (RAEE).

Los RAEE contienen sustancias contaminantes (que pueden tener consecuencias negativas para el medio ambiente) y componentes básicos (que pueden reutilizarse). Es importante someter los RAEE a procedimientos específicos para eliminar y desechar de manera correcta todos los contaminantes, además de recuperar y reciclar todos los materiales.

Todos personalmente somos importantes cuando se trata de garantizar que los RAEE no se conviertan en un problema ambiental. Para esto, es fundamental respetar algunas reglas básicas:

- Los RAEE no deben tratarse como residuos domésticos.
- Los RAEE deben entregarse en los puntos de recogida pertinentes que gestionan los municipios o las empresas autorizadas. En algunos países existe un servicio de recogida de RAEE de gran tamaño.

En muchos países se puede entregar el electrodoméstico antiguo al comprar otro nuevo en el establecimiento, que deberá recogerlo de forma gratuita siempre que se trate de un aparato equivalente y que tenga las mismas funciones que el suministrado.

Conformidad

Al colocar la marca **CE** en este producto, declaramos, bajo nuestra propia responsabilidad, el cumplimiento de todos los requisitos europeos en términos de seguridad, salud y medio ambiente, establecidos en la legislación para este producto.

Garantía

La garantía mínima es: 2 años para los países de la UE, 3 años para Turquía, 1 año para el Reino Unido, 1 año para Rusia, 3 años para Suecia, 2 años para Serbia, 5 años para Noruega, 1 año para Marruecos y 6 meses para Argelia. En Túnez no se requiere garantía legal.

Ahorro energético

Para ahorrar más energía, recomendamos lo siguiente:

- Instale el electrodoméstico en un lugar con buena ventilación, que esté lejos de fuentes de calor y no quede expuesto a la luz solar directa.
- Procure no guardar alimentos calientes en el frigorífico para evitar que la temperatura interior aumente y el compresor funcione de manera continua.
- No introduzca demasiados alimentos para garantizar una circulación de aire adecuada.
- Descongele el electrodoméstico si tiene hielo para facilitar la transferencia del frío.
- Si se corta la corriente eléctrica, es aconsejable mantener las puertas del frigorífico cerradas.
- Abra las puertas o manténgalas abiertas lo menos posible.
- Evite ajustar temperaturas demasiado bajas.
- Elimine el polvo de la parte trasera del electrodoméstico.

Fuente de luz reemplazable (sólo LED) por un profesional
Este producto contiene una fuente de luz con clase de eficiencia energética G.

INSTRUCCIONES DE INSTALACIÓN

➤ Antes de utilizar la cámara de vinos

- Quite el embalaje exterior e interior.
- Antes de conectar la cámara de vinos a la corriente, deje que repose en vertical durante 2 hora aproximadamente. Esto reducirá la probabilidad de que la manipulación durante el transporte ocasione averías en el sistema de refrigeración.
- Limpie las superficies interiores con un paño suave humedecido en agua templada.
- Cuando deseche el electrodoméstico, hágalo en un centro autorizado.

➤ Instalación de la cámara de vinos

- Este electrodoméstico está diseñado para instalarse de manera autónoma o integrado (completamente empotrado) (consulte la pegatina de la parte trasera de este electrodoméstico).
- **Este aparato está diseñado para guardar vino o bebidas exclusivamente.**
- Coloque la cámara de vinos en el suelo, en un lugar que pueda soportar su peso cuando está completamente lleno. Para nivelar la cámara de vinos, ajuste la pata delantera de la parte inferior de la cámara.
- Este electrodoméstico utiliza refrigerante inflamable. La tubería de refrigerante no debe dañarse durante el transporte. Sitúe la cámara de vinos lejos de la luz solar directa y de fuentes de calor (estufas, calentadores, radiadores, etc.). La luz del sol puede afectar al revestimiento acrílico, mientras que las fuentes de calor pueden provocar un aumento del consumo de electricidad. Una temperatura ambiente muy fría también puede hacer que el aparato no funcione correctamente.
- Evite instalar el aparato en zonas húmedas.
- Conecte la cámara en una toma de pared correctamente conectada a tierra y exclusiva. Bajo ninguna circunstancia deberá cortarse ni quitarse la tercera clavija del cable de alimentación. Si tiene cualquier duda o pregunta sobre alimentación o tomas de tierra, consulte a un electricista cualificado o a un centro de servicio técnico autorizado.

➤ Atención

- Guarde el vino en botellas herméticamente cerradas.
- No sobrecargue el armario.
- No abra la puerta a menos que sea necesario.
- No cubra los estantes con papel de aluminio o cualquier otro material que pueda obstaculizar la circulación del aire.
- Cuando la cámara vaya a permanecer sin utilizar durante largos periodos de tiempo, se recomienda dejar la puerta entreabierta después de efectuar una limpieza exhaustiva para permitir la circulación de aire por el interior del armario con el fin de evitar que se genere condensación, moho o malos olores.

➤ Límites de temperatura ambiente del lugar





Este electrodoméstico está diseñado para funcionar a la temperatura ambiente especificada para la clase de temperatura que se indica en la placa de características.

- Templada extendida (SN): «Aparato de refrigeración destinado a utilizarse a temperaturas ambiente de entre 10 °C y 32 °C»
- Templada extendida (SN): «Aparato de refrigeración destinado a utilizarse a temperaturas ambiente de entre 10 °C y 32 °C»
- Subtropical (ST): «Aparato de refrigeración destinado a utilizarse a temperaturas ambiente de entre 16 °C y 38 °C»
- Tropical (T): «Aparato de refrigeración destinado a utilizarse a temperaturas ambiente de entre 16 °C y 43 °C»



USO DE LA CÁMARA DE VINOS/BEBIDAS Y CONFIGURACIÓN DEL MANDO DE TEMPERATURA

➤ Instrucciones del sistema de control





- **Botón “”**
Para encender/apagar este aparato (mantenga pulsados estos botones durante aproximadamente 3 segundos)
- **Botón “”**
Para controlar el encendido/apagado de la luz interior
- **Botón ARRIBA “”**
Para aumentar la temperatura 1 °C (1 °F).
- **Botón ABAJO “”**
Para reducir la temperatura 1 °C (1 °F).
- **“o”**
La luz indicadora se ilumina para dejar constancia de que el modo de refrigeración está funcionando.
- **“MOSTRAR”**
Para mostrar el valor de la temperatura establecida.

➤ Ajuste de los mandos de temperatura

Con los botones situados junto a los indicadores "" o "" puede ajustar la temperatura de refrigeración que desee. Cada vez que pulse los botones, se desplazará por los ajustes de temperatura disponibles en intervalos de 1 °C.

La temperatura puede ajustarse entre 5 °C y 18 °C.

Para averiguar cuál es la temperatura interior real, mantenga pulsado el botón "" o "" durante 3 segundos. El LED parpadeará y se indicará la temperatura actual. Cuando deje de pulsar el botón durante 5 segundos, la figura del LED dejará de parpadear y volverá a mostrarse la temperatura establecida.

LED parpadeando = Temperatura del armario

LED fijo = Temperatura establecida

➤ Alarma de temperatura

Si la temperatura interior supera los 23 °C, aparecerá "HI" en el panel de visualización; después de una hora sonará la alarma / zumbador . Esto indica que la temperatura interior es demasiado alta. Cuando la temperatura interior es inferior a 0 °C, se mostrará "LO" en el panel de visualización y al mismo tiempo se activarán la alarma y el indicador de mal funcionamiento .

➤ **Función de recuperación de temperatura**

En caso de corte eléctrico, en enfriador de vinos puede recordar los ajustes de temperatura anteriores. La temperatura del enfriador volverá a la configuración anterior cuando se restablezca la corriente.

➤ **Luz Interior**

Para reducir el consumo de electricidad, la luz LED del armario de vinos se apagará automáticamente después de 10 minutos.

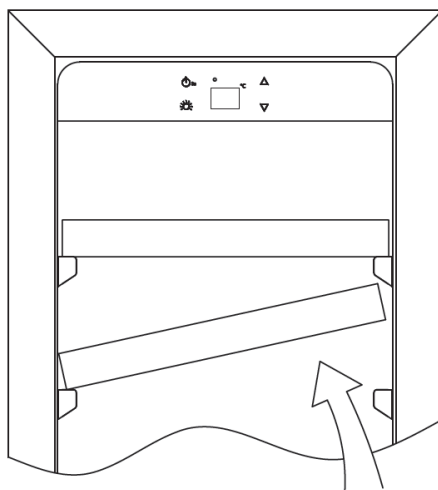
Si prefiere que la luz LED permanezca encendida continuamente, esto es posible. Mantenga pulsada la parte inferior de "LUZ" durante 5 segundos; la pantalla mostrará "LP". Después de 4 segundos, la pantalla volverá a la normalidad y la luz permanecerá encendida hasta que se apague manualmente. Si desea anular esto y ahorrar energía (recomendado), mantenga pulsado el botón "LUZ" durante 5 segundos; la pantalla mostrará "LF". Después de 4 segundos, la pantalla volverá a la normalidad y la luz se apagará automáticamente después de 10 minutos.

➤ **Estantes**

- Para evitar daños en la junta de la puerta, asegúrese de que la puerta esté completamente abierta cuando saque los estantes del compartimento de guías.
- Para facilitar el acceso al contenido almacenado, debe extraer el compartimento de guías aproximadamente 1/3; no obstante, este aparato está diseñado con una muesca en cada lado de los soportes de estantes para evitar que las botellas se caigan.
- Cuando saque cualquier de los estantes del compartimento de guías (para instalarlo o quitarlo), incline el estante según se indica en el diagrama y tire o empuje el estante hasta que encaje en las abrazadera del soporte.

➤ **NOTA:**

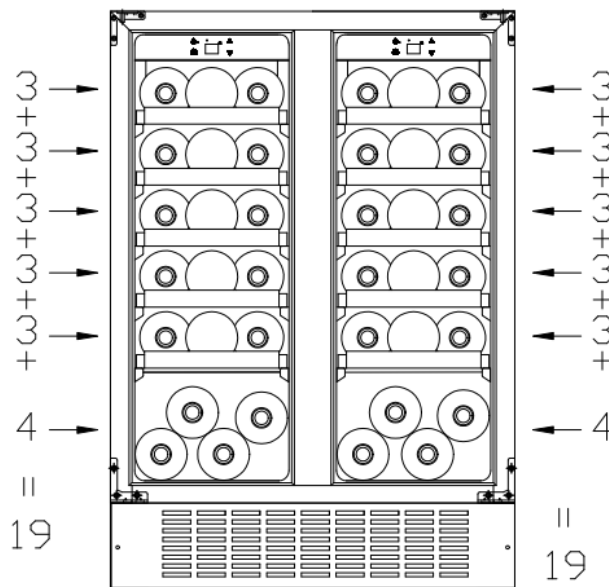
- Si el aparato se desenchufa, se corta la corriente o se apaga, hay que esperar de 3 a 5 minutos antes de encenderlo de nuevo. Si intenta ponerlo en marcha antes de que transcurra este intervalo de tiempo, la cámara de vinos/bebidas no se encenderá.
- Cuando utilice la cámara de vinos/bebidas por primera vez o la encienda después de tenerla apagada durante mucho tiempo, puede producirse una diferencia de unos cuantos grados entre la temperatura seleccionada y la indicada en el LED. Esto es normal y se debe a la duración del tiempo de activación. La cámara de vinos/bebidas volverá a la normalidad después de una hora funcionando.



➤ **Diagrama de almacenamiento**

Compruebe el diagrama de almacenamiento relacionado con la configuración real del producto.

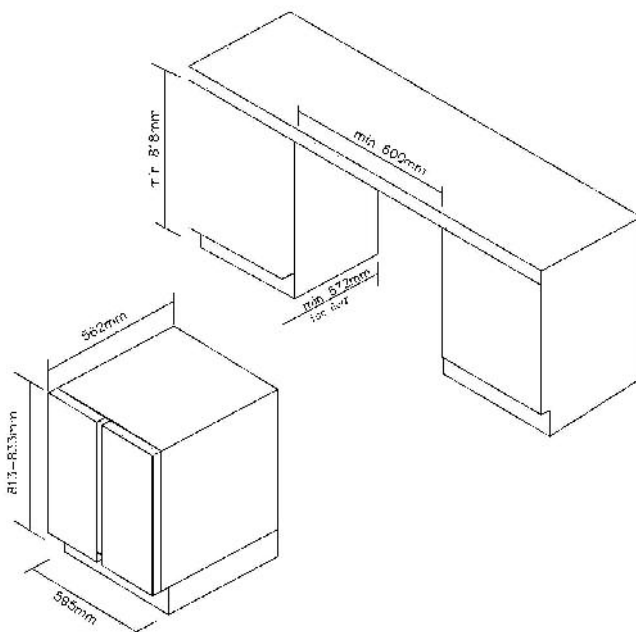
Total: 38 botellas (máx.)



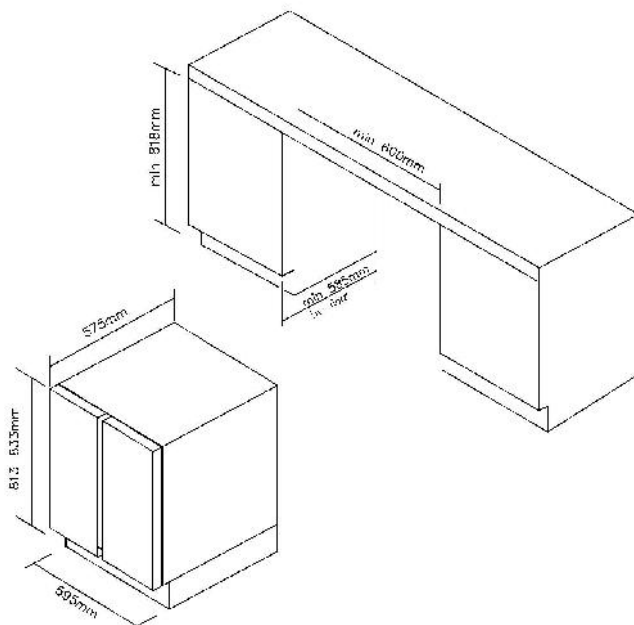
La configuración que ahorra más energía requiere colocar estantes en el producto. Consulta las imágenes anteriores

➤ **Especificaciones de instalación empotrada**

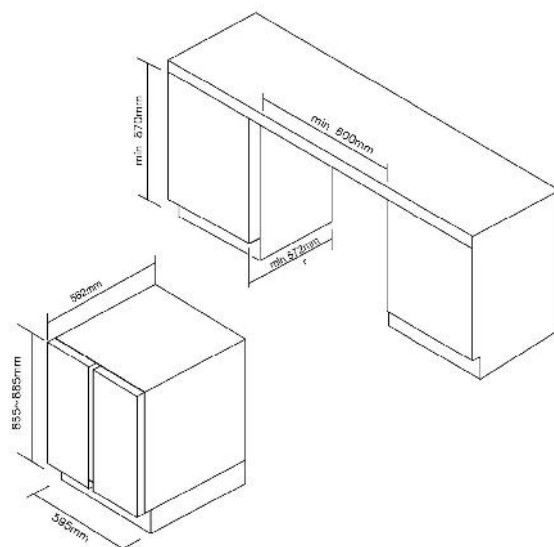
Para altura de 813 mm con puerta de vidrio / acero inoxidable



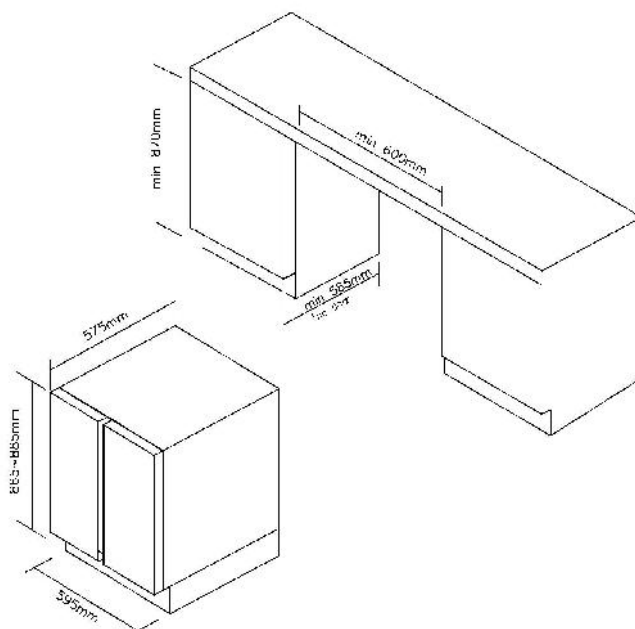
Para altura de 813 mm con puerta delgada de acero inoxidable



Para altura de 865 mm con puerta de vidrio / acero inoxidable



Para altura de 865 mm con puerta delgada de acero inoxidable



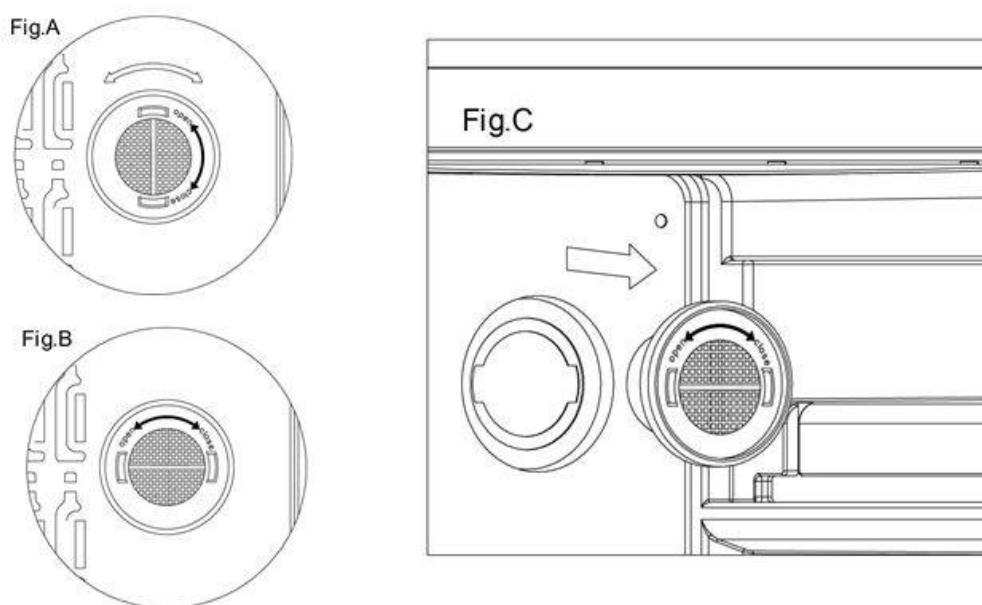
CUIDADO Y MANTENIMIENTO

➤ Limpieza de la cámara de vinos

- Apague y desenchufe la cámara de vinos. A continuación, extraiga todos los elementos, incluidos los estantes y la rejilla.
- Limpie las superficies interiores con una solución de agua caliente y bicarbonato sódico. Para preparar la solución deben utilizarse 2 cucharadas de bicarbonato por cada cuarto de litro de agua.
- Limpie los estantes con una solución de detergente suave.
- Escurra bien la esponja o el trapo cuando limpie la zona de los mandos o cualquier componente eléctrico.
- Limpie el exterior del armario con agua caliente y detergente líquido suave. Aclare bien y seque con un paño suave que esté limpio.

➤ **Cómo sustituir el filtro de carbón vegetal (si está presente en su aparato)**

- Los filtros de carbón vegetal se encuentran en la esquina superior izquierda de cada zona del armario de vinos.
- Abra la puerta y retire los 2 estantes superiores (consulte Retirar los estantes).
- Gire el filtro según la Figura A.
- Según la Figura B, el filtro debe alinearse con las muescas como se muestra.
- Retire el filtro (Fig. C).
- Inserte el filtro de reemplazo y gírelo según la Fig. A para bloquearlo en su posición.
- Vuelva a instalar los estantes.



➤ **Corte de electricidad**

- La mayoría de los fallos eléctricos se solucionan en unas cuantas horas y no deberían afectar a la temperatura del aparato si abre muy pocas veces la puerta. Si el suministro de electricidad queda interrumpido durante un periodo de tiempo más largo, deberá tomar las medidas necesarias para proteger los contenidos almacenados.

➤ **Vacaciones**

- **Vacaciones cortas:** deje la cámara de vinos encendida durante las vacaciones de menos de tres semanas de duración.
- **Vacaciones largas:** si el aparato no se va a utilizar durante varios meses, saque todos los elementos y apáguelo. Limpie y seque meticulosamente el interior. Para evitar la aparición de moho y malos olores, deje la puerta ligeramente entreabierta; bloquéela si fuera necesario.

➤ **Desplazamiento de la cámara de vinos**

- Extraiga todos los elementos.
- Asegure con cinta todos los elementos sueltos (estantes) del interior del aparato.
- Recoja la pata ajustable en la base para evitar daños.
- Cierre la puerta con cinta.
- Asegúrese de que el aparato permanece seguro en posición vertical durante el transporte. Proteja también el exterior del aparato con una manta o similar.

➤ **Consejos para ahorrar energía**

- La cámara de vinos debe situarse en el lugar más fresco de la sala, lejos del calor que generan los aparatos y de la luz solar directa.

¿PROBLEMAS CON LA CÁMARA DE VINOS/BEBIDAS?

Puede solucionar fácilmente muchos de los problemas comunes de la cámara de vinos/bebidas y ahorrarse el coste de la llamada al servicio técnico. Antes de llamar al servicio técnico, intente resolver el problema siguiendo las recomendaciones que se indican a continuación.

GUÍA DE SOLUCIÓN DE PROBLEMAS

PROBLEMA	POSIBLE CAUSA
La cámara de vinos/bebidas no funciona.	No está enchufada. El electrodoméstico está apagado. Disyuntor desconectado o fusible quemado.
La cámara de vinos/bebidas no enfría lo suficiente.	Compruebe el ajuste del mando de temperatura. Dependiendo de las condiciones ambientales, es posible que deba seleccionar una configuración diferente. La puerta se abre con demasiada frecuencia. La puerta no está cerrada del todo. La junta de la puerta no crea un cierre estanco.
Se enciende y se apaga con frecuencia.	La temperatura ambiente es más alta de lo normal. Se ha introducido una gran cantidad de cosas en la cámara de vinos/bebidas. La puerta se abre con demasiada frecuencia. La puerta no está cerrada del todo. El mando de temperatura no se ha configurado correctamente. La junta de la puerta no crea un cierre estanco.
La luz no funciona.	No está enchufada. Disyuntor desconectado o fusible quemado. La bombilla se ha quemado. La luz está apagada.
Vibraciones.	Compruebe que la cámara de vinos/bebidas está plana.
Parece que la cámara de vinos/bebidas hace demasiado ruido.	Las vibraciones pueden deberse al flujo de refrigerante, lo cual es normal. Al final de cada ciclo, puede escuchar el sonido que produce el flujo de refrigerante en la cámara de vinos/bebidas. La contracción y la expansión de las paredes internas puede producir estallidos o chasquidos. La cámara de vinos/bebidas no está nivelada.
La puerta no cierra correctamente.	La cámara de vinos/bebidas no está nivelada. La puerta se ha cambiado de lado y se ha instalado correctamente. La junta está sucia. Los estantes no están en su sitio.

Para ponerse en contacto con la asistencia técnica, visite nuestro sitio web: <https://corporate.haier-europe.com/en/>. En la sección "websites", elija la marca de su producto y su país. Serás redirigido al sitio web específico donde podrás encontrar el número de teléfono y el formulario para contactar con la asistencia técnica.

➤ **DISPONIBILIDAD DE REPUESTOS**

- Termostatos, sensores de temperatura, placas de circuitos impresos y fuentes luminosas, durante un período de, como mínimo, siete años tras la introducción en el mercado de la última unidad del modelo.
- Mangos de puerta, bisagras, bandejas y cestos, durante un período de, como mínimo, siete años, y juntas de puerta durante un período de, como mínimo, diez años tras la introducción en el mercado de la última unidad del modelo;

AJUSTES de temperatura recomendados

Para almacenar TODO TIPO DE VINOS 12 °C to 14 °C

Para almacenar TODO TIPO DE VINOS

Champán NV, espumoso 6 °C

Champán Vintage 10 °C

Blanco seco con semillón, Sauvignon Blanc 8 °C

Blanco Gewürztraminer seco, Riesling 10 °C

Blanco Chardonnay seco 10 °C

Chardonnay Vintage 14 °C

Vino dulce Sauternes Monbazillac, uvas heladas de cosecha tardía 10 °C

Vinos dulces origen Sauternes 14 °C

Beaujolais 13 °C

Pinot Noir 16 °C

Tinto Pinot Noir Vintage 18 °C

Tinto Cabernet, Merlot, francés, australiano, neozelandés, chileno, argentino, italiano, español, californiano 18 °C

Tinto Garnacha, Syrah 16 °C

Para más información sobre el producto, consulte <https://eprel.ec.europa.eu/> o escanee el QR en la etiqueta energética suministrada con el aparato.

Français

Nous vous remercions d'avoir acheté ce produit.

Avant d'utiliser votre réfrigérateur, veuillez lire attentivement ces instructions d'utilisation afin de maximiser ses performances. Conservez cette documentation pour pouvoir vous y référer ultérieurement ou pour les éventuels futurs propriétaires. Ce produit est destiné uniquement à un usage domestique ou autres usages similaires tels que :

- l'espace cuisine réservé au personnel dans un magasin, des bureaux ou autres lieux de travail,
- dans les fermes-auberges, pour la clientèle des hôtels, motels et autres lieux de type résidentiel,
- dans les chambres d'hôtes,
- chez la restauration et autres services similaires, ce produit ne convient pas à la vente au détail.

Cet appareil doit être utilisé uniquement pour conserver de la nourriture ; tout autre usage est considéré comme dangereux et le fabricant ne sera pas tenu responsable en cas de mauvaise utilisation. Il est donc recommandé de prendre connaissance des conditions de garantie.

INFORMATIONS DE SÉCURITÉ

Veuillez lire attentivement les instructions d'utilisation et d'installation ! Elles contiennent des informations importantes sur l'installation, l'utilisation et l'entretien de l'appareil. Le fabricant n'est pas responsable si vous ne respectez pas les instructions et avertissements.

Conservez tous les documents pour une utilisation ultérieure ou pour le propriétaire suivant.

- **Ne branchez pas l' appareil à l'alimentation électrique avant d' avoir retiré tous les protecteurs d'emballage et de transport. Tenez les enfants à l' écart de l'emballage et de ses parties. Risque de suffocation provenant de cartons pliants et de film plastique !**
- **Laisser reposer pendant au moins 4 heures avant la mise en marche pour permettre à l'huile du compresseur de se déposer si le compresseur même est transportée horizontalement.**
- **À la livraison, vérifiez que le produit n'est pas endommagé et que toutes les pièces et accessoires sont en parfait état.**
- **N'endommagez pas le circuit réfrigérant.**
- **N'obstruez pas les orifices d'aération dans l'appareil ou dans la structure dans laquelle il est intégré.**
- **Ne jamais utiliser d'eau pour laver la position du compresseur, l'essuyer soigneusement avec un chiffon sec après le nettoyage pour éviter la rouille.**
- **Manipulez toujours l'appareil avec au moins deux personnes parce qu'il est lourd.**
- **Installez et mettez à niveau l'appareil dans une zone adaptée à sa taille et à son utilisation.**

- **Assurez-vous que les informations électriques figurant sur la plaque signalétique sont conformes à l'alimentation électrique. Si ce n'est pas le cas, contactez un électricien.**
- **L'appareil est alimenté par une alimentation de 220-240 VCA/50 Hz. Les variations anormales de tension peuvent provoquer l'arrêt de l'appareil ou endommager le régulateur de température ou le compresseur, ou il peut y avoir un bruit anormal lors du fonctionnement. Dans ce cas, un régulateur automatique doit être monté.**
- **Uniquement pour le Royaume-Uni : Le cordon d'alimentation de l'appareil est équipé d'une fiche 3 pôles (de mise à la terre) qui s'adapte à une prise standard 3 pôles (de mise à la terre). Ne coupez jamais ou ne démontez jamais la troisième broche (mise à la terre). Une fois l'appareil installé, la fiche doit être accessible.**
- **Veillez à ce que le câble de réseau ne soit pas coincé sous l'appareil pendant et après le transport ou le déplacement de l'appareil, afin d'éviter que le câble de réseau ne soit coupé ou endommagé. Si le câble d'alimentation est endommagé, il doit être remplacé par le fabricant, son agent d'entretien ou des personnes possédant le même type de qualification, afin d'éviter tout risque.**
- **N'installez pas l'appareil dans un endroit humide, gras ou poussiéreux et ne l'exposez pas à la lumière directe du soleil ni à l'eau.**
- **N'installez pas l'appareil à proximité de sources de chaleur ou de matériaux inflammables**
- **POUR les appareils équipés d'un compartiment congélateur : en cas de panne de courant, n'ouvrez pas le couvercle. Les aliments congelés ne devraient pas être affectés si la panne dure moins que les heures indiquées sur l'étiquette signalétique (temps de montée en température). Si la panne dure plus longtemps, alors il convient de vérifier les aliments et de les manger immédiatement ou bien de les cuire et de les congeler à nouveau.**
- **Si vous trouvez que le couvercle de l'appareil est difficile à ouvrir juste après l'avoir fermé, ne soyez pas inquiet. Cela vient de la différence de pression qui doit s'égaliser et permettre au couvercle de s'ouvrir normalement après quelques minutes.**
- **Ne conservez pas de médicaments, de bactéries ou d'agents chimiques dans l'appareil. Cet appareil est un appareil électroménager, il n'est pas recommandé de stocker des produits qui nécessitent des températures strictes.**
- **Ne tirez pas et ne pliez pas excessivement le cordon d'alimentation et ne touchez pas la prise avec les mains mouillées.**

- **Ne conservez pas des produits contenant des gaz propulseurs inflammables (par ex. des bombes de pulvérisation) ou des substances explosives dans l'appareil. Risque d'explosion !**
- **Ne placez pas d'objets instables (objets lourds, récipients remplis d'eau) sur le dessus du réfrigérateur, pour éviter les blessures corporelles causées par une chute ou une électrocution causée par le contact avec de l'eau.**
- **N'utilisez pas d'appareils électriques dans les compartiments de conservation des aliments de l'appareil, excepté s'ils sont du type recommandé par le fabricant.**
- **Ne pas toucher les éléments de refroidissement internes, en particulier avec les mains mouillées, pour éviter les fissures ou les blessures.**
- **Les enfants, les personnes qui ont des capacités physiques, mentales ou sensorielles limitées, ainsi que les personnes qui ont des connaissances insuffisantes en matière de sécurité d'utilisation de l'appareil sont à risque. Vérifiez que les enfants et les personnes vulnérables ont compris les dangers. Une personne responsable de la sécurité doit surveiller les enfants et les personnes vulnérables qui utilisent l'appareil ou leur expliquer son fonctionnement. Seuls les enfants âgés de 8 ans et plus peuvent utiliser l'appareil.**
- **Les enfants ne doivent pas jouer avec l' appareil.**
- **Les enfants âgés de 3 à 8 ans sont autorisés à charger et à décharger l' appareil**
- **POUR les appareils avec compartiment congélateur : ne conservez pas de liquides en bouteille ou en canette (surtout les boissons gazeuses) dans le compartiment congélateur. Les bouteilles et les canettes peuvent éclater !**
- **POUR les appareils équipés d'un compartiment congélateur : ne placez jamais d'aliments congelés dans votre bouche juste après les avoir sortis du compartiment congélateur. Risque de brûlures à basse température !**
- **Gardez les pièces en plastique et le joint de porte exempt d'huile et de graisse. Dans le cas contraire, les pièces en plastique et le joint de porte deviendront poreux.**
- **Avant toute intervention, débranchez le cordon d'alimentation de la prise murale.**
- **N'utilisez pas d'outils mécaniques ou autres équipements pour accélérer le processus de dégivrage, autres que ceux recommandés par le fabricant.**
- **N'utilisez pas d'objets pointus ou tranchants tels que des couteaux ou des fourchettes pour enlever le givre. N'utilisez jamais de sèche-**

cheveux, de radiateurs électriques ou d'autres appareils électriques de ce type pour le dégivrage.

- Il est recommandé de maintenir la prise propre ; les résidus excessifs de poussière sur la prise peuvent provoquer un incendie.
- N'essayez pas de réparer, démonter ou modifier l'appareil vous-même. En cas de réparation, veuillez contacter notre service clientèle.
- Supervisez les enfants pendant le nettoyage ou l'entretien de l'appareil.
- Ne nettoyez pas les clayettes froides en verre à l'eau chaude. Un changement soudain de température peut casser le verre.
- **AVERTISSEMENT** : Les tubes du circuit de réfrigération transportent une petite quantité d'un frigorigène respectueux de l'environnement mais inflammable (R600a) et d'un gaz isolant (cyclopentane). Il n'endommage pas la couche d'ozone et n'augmente pas l'effet de serre. Si le réfrigérant s'échappe, il risque de blesser vos yeux ou de s'enflammer.
- En cas de dommages du circuit de réfrigérant :
 - Éteignez l'appareil et retirez la prise secteur ;
 - Tenez les flammes nues et/ou les sources d'inflammation loin de l'appareil ;
 - Ventilez complètement la pièce pendant plusieurs minutes ;
 - Informez le service clientèle.
- **AVERTISSEMENT** : N'endommagez pas la fiche et/ou le cordon d'alimentation ; cela pourrait provoquer des chocs électriques ou des incendies.
- **AVERTISSEMENT** : N'utilisez pas des systèmes multiprises portatifs ou des alimentations portatives. Nous ne recommandons pas l'utilisation de rallonges et d'adaptateurs multiples.
- N'essayez pas de vous asseoir ou de vous tenir debout sur le dessus de l'appareil. Vous pourriez vous blesser ou endommager l'appareil. Cet appareil n'est pas conçu pour être empilé avec d'autres appareils.
- L'appareil est conçu et construit pour un usage domestique uniquement.
- Seules les pièces d'origine fournies par le fabricant peuvent être utilisées. Le fabricant garantit que seules ces pièces satisfont aux exigences de sécurité.
- L'ouverture prolongée de la porte peut entraîner une hausse significative de la température dans les compartiments de l'appareil.

- Nettoyez régulièrement les surfaces entrant en contact avec les aliments et les systèmes d' évacuation accessibles.
- Nettoyez les réservoirs d' eau s' ils n' ont pas été utilisés pendant 48 h ; videz le circuit d' eau raccordé à une alimentation d' eau si l' eau n' a pas été tirée pendant 5 jours.
- Placez la viande et le poisson crus dans des récipients adaptés avant de les mettre au réfrigérateur, afin qu' ils n' entrent pas en contact avec d' autres aliments ou ne gouttent pas dessus.
- Les compartiments de congélation « deux étoiles » (si présents dans l' appareil) sont adaptés à la conservation des aliments pré-congelés, à la conservation et à la fabrication des crèmes glacées et à la production des glaçons.
- Les compartiments « une, deux et trois étoiles » (si présents dans l' appareil) ne sont pas adaptés à la congélation des aliments frais.
- Si l' appareil doit rester vide pendant des périodes prolongées, mettez-le hors tension, dégivrez-le, nettoyez-le, séchez-le et laissez la porte ouverte pour éviter la formation de moisissures à l' intérieur
- Autres appareils de stockage du vin: Cet appareil est destiné uniquement au stockage du vin
- Pour un appareil à pose libre: Cet appareil de réfrigération n' est pas destiné à être utilisé comme un appareil intégrable
- Pour les appareils sans compartiment « quatre étoiles»: Cet appareil de réfrigération ne convient pas pour la congélation de denrées alimentaire

Mise au rebut des anciens appareils



Cet appareil comporte les symboles conformes à la directive européenne 2012/19/EU sur les déchets des équipements électriques et électroniques (DEEE).

DEEE couvre à la fois les substances polluantes (pouvant avoir des retombées négatives sur l'environnement) et les composants de base (pouvant être ré-utilisés). Il est important de soumettre les déchets DEEE à des traitements spécifiques, afin d'enlever et éliminer tous les polluants de manière adéquate et de récupérer et recycler tous les matériaux.

Toute personne peut jouer un rôle important en veillant à ce que les déchets DEEE ne deviennent pas un problème environnemental ; pour cela, il est essentiel de suivre quelques règles de base :

- Les DEEE ne doivent pas être traités comme des déchets ménagers ;
- Les DEEE doivent être remis aux points de collecte appropriés gérés par la municipalité ou par des sociétés reconnues. Dans de nombreux pays, pour des DEEE encombrants, la collecte à domicile peut être organisée.

Conformité

En apposant la marque **CE** sur ce produit, nous confirmons la conformité à toutes les obligations européennes concernant la protection de l'environnement et de la santé et de la sécurité, applicables selon la loi à ce produit.

Garantie

La garantie minimale est : 2 ans pour les pays de l'UE, 3 ans pour la Turquie, 1 an pour le Royaume-Uni, 1 an pour la Russie, 3 ans pour la Suède, 2 ans pour la Serbie, 5 ans pour la Norvège, 1 an pour le Maroc, 6 mois pour l'Algérie, pas de garantie légale requise pour la Tunisie.

Économies d'énergie

Pour faire davantage d'économies d'énergie nous suggérons :

- Installez l'appareil dans un endroit bien aéré, loin de sources de chaleur et ne l'exposez pas à la lumière directe du soleil.
- Évitez de mettre de la nourriture chaude dans le réfrigérateur pour éviter d'accroître la température intérieure et, par conséquent, de faire fonctionner le compresseur en permanence.
- Ne tassez pas trop les denrées conservées de manière à garantir une circulation de l'air correcte.
- Si de la glace s'est formée, dégivrez l'appareil pour faciliter le transfert du froid.
- En cas de coupure de l'alimentation électrique, il est conseillé de garder la porte du réfrigérateur fermée.
- Ouvrez ou laissez la porte du réfrigérateur ouverte le moins possible.
- Évitez de régler le thermostat à des températures trop basses.
- Retirez la poussière accumulée à l'arrière de l'appareil

Source lumineuse remplaçable (LED uniquement) par un professionnel

Ce produit contient une source lumineuse de classe d'efficacité énergétique G.

INSTRUCTIONS POUR L'INSTALLATION

➤ Avant d'utiliser votre cave à vin

- Retirez l'emballage extérieur et intérieur.
- Avant de brancher votre cave à vin à la prise d'alimentation, laissez-le en position verticale pendant environ 2 heures. Ceci réduira le risque d'un dysfonctionnement du système de refroidissement suite à la manipulation pendant le transport.
- Nettoyez les surfaces intérieures à l'eau tiède avec une éponge douce.
- Lors de l'élimination de votre appareil, veuillez choisir un site d'élimination autorisé.

➤ Installation de votre cave à vin

- Cet appareil est conçu soit pour une installation autonome soit pour une installation intégrée (entièrement encastré) (reportez-vous à l'autocollant à l'arrière de cet appareil).
- **Cet appareil est destiné à être utilisé exclusivement pour le stockage de vin ou de boissons.**
- Placez votre cave à vin sur un sol suffisamment solide pour la supporter lorsqu'elle est entièrement remplie. Pour niveler votre cave à vin, ajustez la jambe de nivellement avant au bas de l'appareil.
- Cet appareil utilise un réfrigérant inflammable. Ne jamais endommager la tuyauterie de refroidissement pendant le transport. Installez votre cave à vin à l'écart de la lumière directe du soleil et des sources de chaleur (poêle, chauffage, radiateur, etc.). Le rayonnement solaire direct peut endommager le revêtement acrylique et les sources de chaleur sont susceptibles d'augmenter la consommation d'énergie électrique. Un environnement très froid peut également empêcher l'appareil de fonctionner correctement.
- Évitez d'installer l'appareil dans des zones humides.
- Branchez votre cave à vin dans une prise murale dédiée, correctement installée et mise à la terre. Vous ne devez en aucun cas couper ou éliminer la troisième broche (de terre) de la fiche du câble d'alimentation. Adressez-vous à un électricien qualifié ou à un centre d'assistance agréé pour toute question sur l'alimentation et/ou la prise de terre.

➤ Attention

- Conservez le vin en bouteilles scellées ;
- Ne surchargez pas l'armoire ;
- N'ouvrez pas la porte, sauf si nécessaire ;
- Ne couvrez pas les étagères avec une feuille d'aluminium ou tout autre matériau pouvant empêcher la circulation de l'air ;
- Si votre cave à vin est stockée sans être utilisée pendant de longues périodes, il est suggéré, après un nettoyage minutieux, de laisser la porte entrouverte pour permettre à l'air de circuler à l'intérieur de l'armoire et éviter la formation éventuelle de condensation, de moisissures ou d'odeurs.

➤ Limites de température ambiante





Cet appareil est conçu pour fonctionner aux températures ambiantes spécifiées par la classe de température indiquée sur sa plaque signalétique.

- Tempérée élargie (SN): «Cet appareil de réfrigération est destiné à être utilisé à des températures ambiantes comprises entre 10 °C et 32 °C»
- Tempérée (N): «Cet appareil de réfrigération est destiné à être utilisé à des températures ambiantes comprises entre 16 °C et 32 °C»
- Subtropicale (ST): «Cet appareil de réfrigération est destiné à être utilisé à des températures ambiantes comprises entre 16 °C et 38 °C»
- Tropicale (T): «Cet appareil de réfrigération est destiné à être utilisé à des températures ambiantes comprises entre 16 °C et 43 °C»



FONCTIONNEMENT DE VOTRE CAVE À VIN/REFROIDISSEUR DE BOISSONS ET RÉGLAGE DU CONTRÔLE DE LA TEMPÉRATURE

➤ Mode d'emploi du système de contrôle





- **Bouton **
Pour allumer/éteindre cet appareil (appuyez et maintenez ces boutons enfoncés pendant environ 3 secondes).
- **Bouton **
Pour allumer/éteindre l'éclairage interne.
- **Touche VERS LE HAUT **
Utilisée pour augmenter (réchauffer) la température en °F (°C) .
- **Touche VERS LE BAS **
Utilisée pour abaisser (refroidir) la température en °F (°C) .
- **"o"**
Voyant lumineux qui s'allume pour indiquer que le mode de refroidissement est en cours de fonctionnement.
- **"ÉCRAN"**
Indique la température réglée.

➤ Réglage des contrôles de température

Réglez la température de refroidissement souhaitée en appuyant sur les boutons adjacents aux indicateurs " " ou " ". Chaque pression sur les boutons fera défiler les réglages de température disponibles de 1° en 1°C.

Le réglage de la température peut être compris entre 5°C et 18°C.

Si vous souhaitez visualiser les températures courantes à l'intérieur, appuyez et maintenez enfoncée la touche " " ou " " pendant 3 secondes : le voyant LED se mettra à clignoter et affichera la température courante. Après avoir arrêté d'appuyer sur le bouton pendant 5 secondes, le voyant LED arrêtera de clignoter, puis reviendra afficher la température réglée.

Voyant LED clignotant = température de l'armoire

Voyant LED fixe = température réglée

➤ Alarme de température

Si la température à l'intérieur est supérieure à 23 °C, il sera affiché "HI" sur le panneau d'affichage, et au bout d'une heure après l'alarme / l'avertisseur sonore retentira. Cela indique que la température à l'intérieur est trop élevée. Si la température à l'intérieur est inférieure à 0 °C, il sera affiché "LO" sur le panneau d'affichage et dans le même temps l'alarme de dysfonctionnement sera activée.

➤ **Fonction de récupération de température**

En cas de coupure de l'alimentation, la cave à vin peut se souvenir des réglages de température précédents, et lorsque l'alimentation est rétablie, la température de la cave à vin revient au même réglage de la température que lorsque l'appareil est mis hors tension.

➤ **Éclairage interne**

Afin de réduire la consommation d'énergie, cette armoire à vin éteint automatiquement les lampes à LED au bout de 10 minutes.

Si vous souhaitez que les lampes à LED restent allumées en continu, cela est possible. Appuyez et maintenez le bouton "ÉCLAIRAGE" enfoncé pendant 5 secondes, l'écran affichera "LP". Après 4 secondes, l'écran reviendra à la normale et le voyant restera allumé jusqu'à ce qu'il soit éteint manuellement.

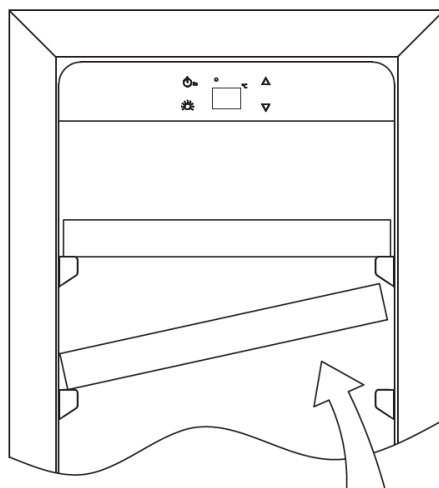
Si vous souhaitez revenir en arrière et économiser de l'énergie (recommandé), appuyez et maintenez le bouton "ÉCLAIRAGE" enfoncé pendant 5 secondes, l'écran affichera "LF", après 4 secondes, l'écran reviendra à la normale et la lumière s'éteindra automatiquement au bout de 10 minutes.

➤ **Clayettes**

- Pour éviter d'endommager le joint de porte, assurez-vous que la porte est complètement ouverte lorsque vous tirez les clayettes hors des rails du compartiment.
- Pour un accès facile au contenu de stockage, vous devez retirer les clayettes hors des rails du compartiment d'environ 1/3. Cet appareil a été conçu avec une encoche de chaque côté des rails des clayettes pour empêcher les bouteilles de tomber.
- Lorsque vous retirez l'une des clayettes des rails du compartiment : pour monter ou retirer la clayette, inclinez-la conformément au schéma et tirez simplement ou poussez la clayette jusqu'à ce qu'elle repose solidement sur les supports.

➤ **REMARQUE :**

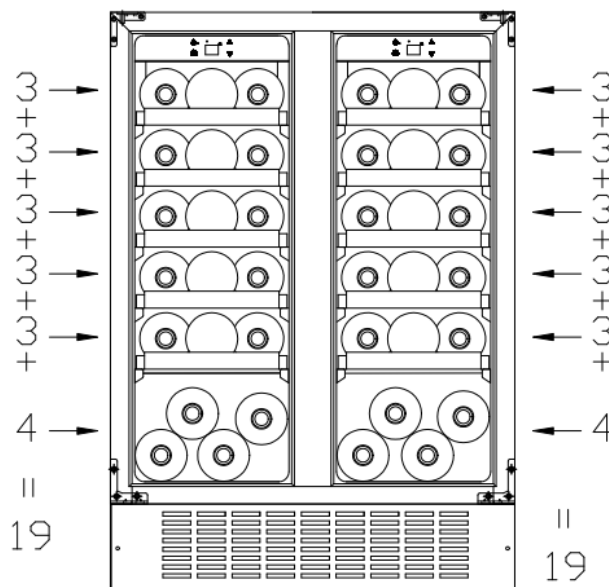
- Si l'appareil est débranché, hors tension ou éteint, vous devez attendre 3 à 5 minutes avant de redémarrer l'appareil. Si vous tentez de redémarrer avant ce délai, votre cave à vin/refroidisseur de boissons ne démarrera pas.
- Lorsque vous utilisez votre cave à vin/refroidisseur de boisson pour la première fois ou redémarrez votre cave à vin/refroidisseur de boisson après qu'il soit resté éteint pendant une longue période, il pourrait y avoir un écart de quelques degrés entre la température que vous sélectionnez et celle indiquée sur l'inscription du voyant LED. C'est normal et cela est dû à la durée du temps d'activation. Une fois que la cave à vin/refroidisseur de boissons aura fonctionné pendant quelques heures, tout reviendra à la normale.



➤ **Schéma de stockage**

En fonction de la configuration courante de votre appareil, veuillez vérifier le schéma de stockage correspondant.

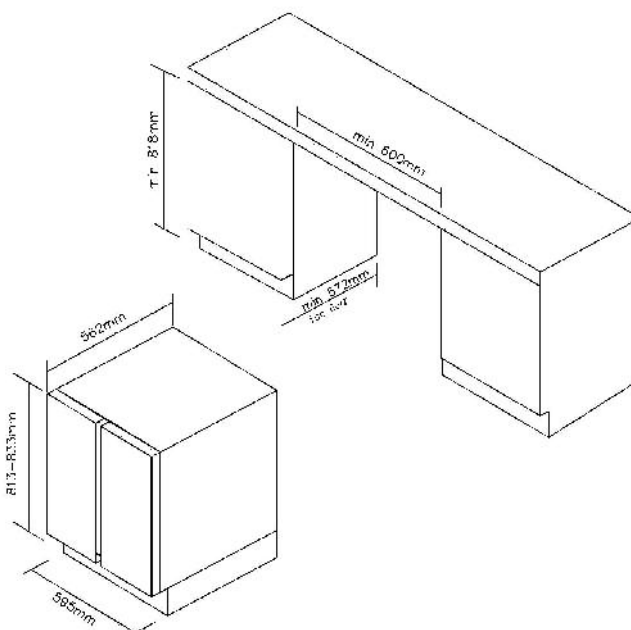
Total : 38 bouteilles (max.)



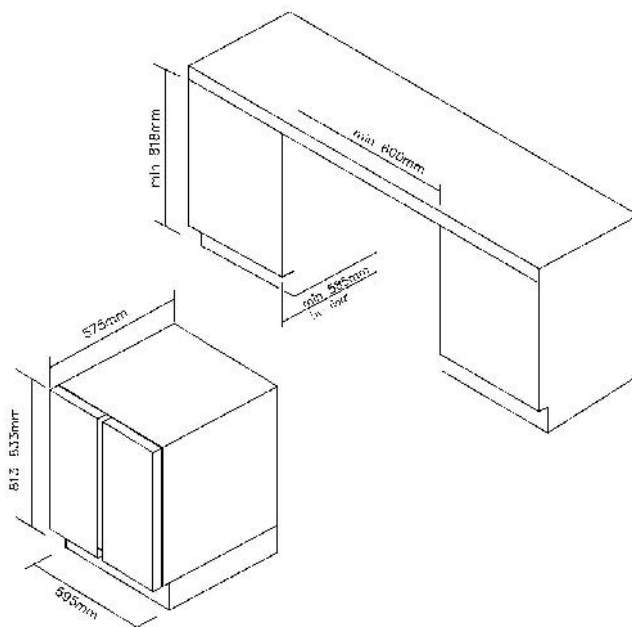
La configuration la moins énergivore nécessite que les clayettes soient positionnés dans le produit, veuillez consulter les photos ci-dessus.

➤ **Consignes pour une installation intégrée**

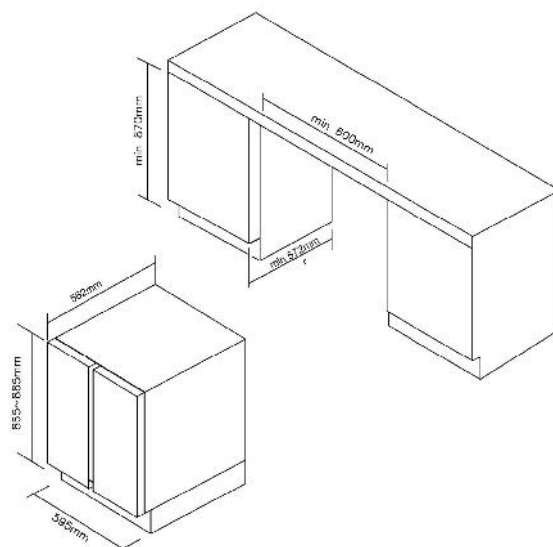
Pour une hauteur de 813 mm avec porte en verre ou en acier inoxydable



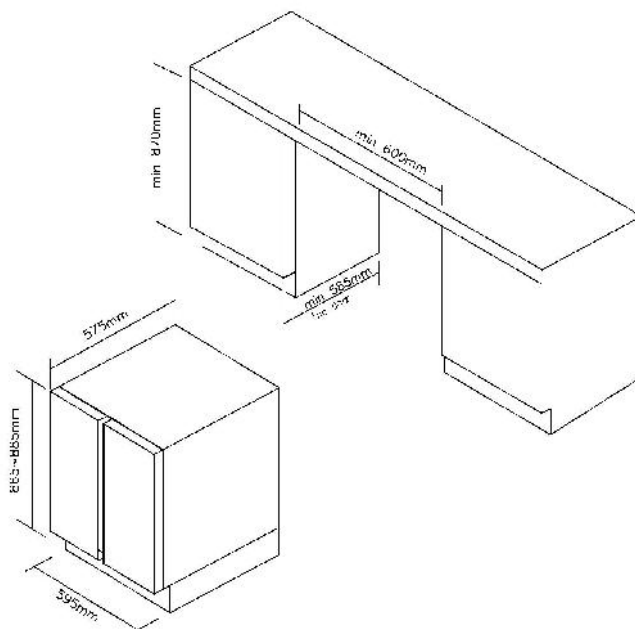
Pour une hauteur de 813 mm avec porte mince en acier inoxydable



Pour une hauteur de 865 mm avec porte en verre ou en acier inoxydable



Pour une hauteur de 865 mm avec porte mince en acier inoxydable



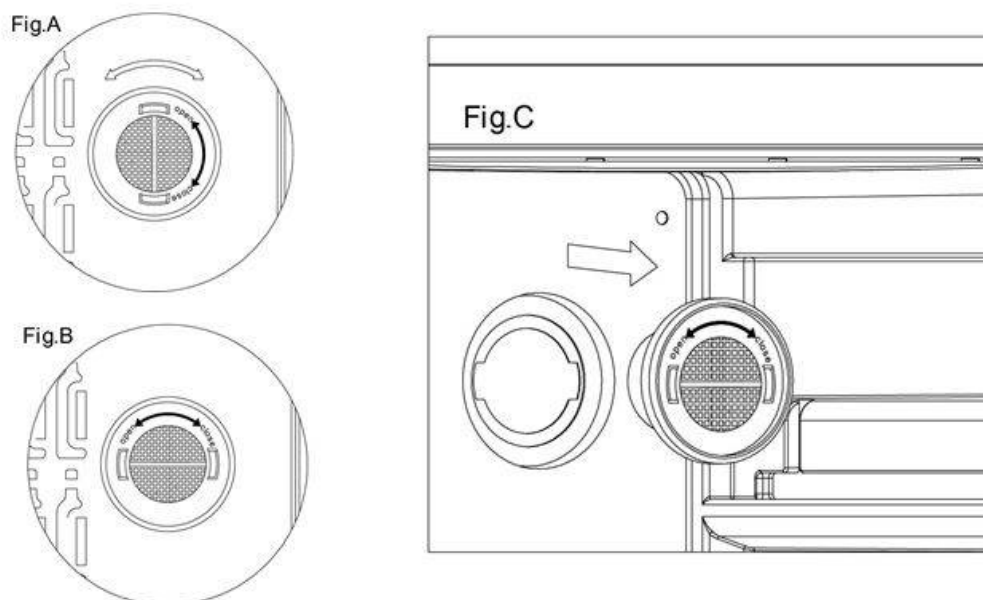
NETTOYAGE ET ENTRETIEN

➤ Nettoyage de votre cave à vin

- Éteignez l'alimentation, débranchez l'appareil et retirez tous les éléments, y compris les clayettes et étagères.
- Lavez les surfaces intérieures avec une solution d'eau tiède et de bicarbonate de soude. La solution doit être d'environ 2 cuillères à soupe de bicarbonate de soude pour un quart de litre d'eau.
- Lavez les étagères avec une solution détergente non agressive.
- Essuyez l'excès d'eau de l'éponge ou du chiffon de nettoyage au niveau de la zone des commandes et de toute pièce électrique.
- Lavez l'armoire extérieurement avec de l'eau tiède et un détergent liquide non agressif. Rincez soigneusement et essuyez à l'aide d'un chiffon doux propre.

➤ **Comment remplacer le filtre à charbon de bois (si présent dans votre appareil)**

- Les filtres Charcoal sont situés dans le coin supérieur gauche de chaque cave à vin.
- Ouvrez la porte et retirez les 2 étagères supérieures (voir Retrait des étagères).
- Tournez le filtre comme sur la Fig.A.
- Comme sur la Fig.B, le filtre doit s'aligner sur les encoches comme indiqué.
- Retirez le filtre (Fig.C).
- Insérez le filtre de remplacement et tournez-le conformément à la Fig.A pour le bloquer en position.
- Réinstallez les étagères.



➤ **Panne de courant**

- La plupart des pannes de courant sont résolues en quelques heures et ne devraient donc pas affecter la température de votre appareil, si vous minimisez le nombre de fois où la porte est ouverte. Si la panne de courant doit durer plus longtemps, vous devrez prendre les mesures nécessaires pour protéger le contenu de l'appareil.

➤ **Période des vacances**

- **Vacances courtes** : Laissez votre cave à vin fonctionner pendant vos congés de moins de trois semaines.
- **Vacances longues** : Si l'appareil ne sera pas utilisé pendant plusieurs mois, retirez tous les éléments stockés et éteignez l'appareil. Nettoyez et essuyez soigneusement l'intérieur de l'appareil. Pour éviter la formation d'odeurs et de moisissures, laissez la porte légèrement ouverte : bloquez-la si nécessaire.

➤ **Manutention de votre cave à vin**

- Retirez tous les éléments stockés.
- Utilisez de la bande adhésive pour coller solidement tous les éléments non fixés (étagères) à l'intérieur de votre appareil.
- Vissez le pied réglable jusqu'à la base pour éviter tout dommage.
- Fermez la porte.
- Assurez-vous que l'appareil reste en position verticale pendant son transport. Protégez également l'extérieur de l'appareil avec une couverture ou un article semblable.

➤ **Conseils pour l'économie d'énergie**

- La cave à vin doit être installée dans la zone la plus fraîche de la pièce, loin des appareils de production de chaleur et à l'abri de la lumière directe du soleil.

DES PROBLÈMES AVEC VOTRE CAVE À VIN/REFROIDISSEUR DE BOISSONS ?

Vous pouvez résoudre facilement de nombreux problèmes courants concernant votre cave à vin/refroidisseur de boisson et économiserez les frais d'un appel d'assistance. Consultez les suggestions ci-dessous pour voir si vous pouvez résoudre votre problème avant d'appeler le service d'assistance.

GUIDE DE DÉPANNAGE

PROBLÈME	CAUSE POSSIBLE
La cave à vin/le refroidisseur de boissons ne fonctionne pas.	L'appareil n'est pas branché. L'appareil est éteint. Le disjoncteur s'est déclenché ou un fusible a grillé.
La cave à vin/le refroidisseur de boissons n'est pas assez froid.	Vérifiez le réglage de la température. L'environnement extérieur demande un réglage de la température supérieur. La porte est ouverte trop souvent. La porte n'est pas complètement fermée. Le joint de la porte n'est pas entièrement étanche.
L'appareil s'allume et s'éteint fréquemment.	La température de la pièce est plus chaude que la normale. Une grande quantité de bouteilles a été ajoutée dans la cave à vin/le refroidisseur de boissons. La porte est ouverte trop souvent. La porte n'est pas complètement fermée. Le dispositif de contrôle de la température n'est pas correctement réglé. Le joint de la porte n'est pas entièrement étanche.
La lumière ne fonctionne pas.	L'appareil n'est pas branché. Le disjoncteur s'est déclenché ou un fusible a grillé. L'ampoule a grillé. Le voyant lumineux est "ÉTEINT".
Vibrations.	Vérifiez que la cave à vin/le refroidisseur de boissons est de niveau.
La cave à vin/le refroidisseur de boissons semble faire trop de bruit.	Le bruit de cliquetis peut provenir du flux du réfrigérant, ce qui est normal. À la fin de chaque cycle, vous pouvez entendre des bruits de gargouillement causés par le flux de réfrigérant dans votre cave à vin/refroidisseur de boissons. La contraction et l'expansion des parois intérieures peuvent provoquer des bruits de claquement et de crépitement. La cave à vin/le refroidisseur de boissons n'est pas de niveau.
La porte ne se ferme pas complètement.	La cave à vin/le refroidisseur de boissons n'est pas de niveau. La porte a été inversée et mal installée. Le joint est sale. Les étagères ne sont pas dans la bonne position.

Pour contacter l'assistance technique, visitez notre site Internet: <https://corporate.haier-europe.com/en/>. Dans la section «websites», choisissez la marque de votre produit et votre pays. Vous serez redirigé vers le site Web spécifique où vous pouvez trouver le numéro de téléphone et le formulaire pour contacter l'assistance technique

➤ **Disponibilité des pièces de rechange**

- Les thermostats, les capteurs de température, les cartes de circuit imprimé et les sources lumineuses sont disponibles pour une période minimale de sept ans à compter de la mise sur le marché de la dernière unité du modèle;
- Les poignées de porte, gonds de porte, plateaux et bacs, sont disponibles pour une période minimale de sept ans, et les joints de porte sont disponibles pour une période minimale de 10 ans à compter de la mise sur le marché de la dernière unité du modèle;

RÉGLAGES conseillés de la température

Pour stocker TOUS LES TYPES de VINS **12 °C to 14 °C**

Température conseillée pour les BOISSONS

Champagne NV, pétillant	6 °C
Champagne de cuvée	10 °C
Sémillon blanc sec, Sauvignon Blanc	8 °C
Gewürztraminer blanc sec, Riesling	10 °C
Chardonnay blanc sec	10 °C
Chardonnay de cuvée	14 °C
Sauternes Monbazillac blanc doux, vin de glace de vendanges tardives	10 °C
Sauternes de cuvée blanc doux	14 °C
Beaujolais	13 °C
Pinot noir rouge	16 °C
Pinot noir de cuvée rouge	18 °C
Cabernet rouge, Merlot, français, australien, néo-zélandais, chilien, argentin, italien, espagnol, californien	18 °C
Grenache rouge, Syrah	16 °C

Pour plus d'informations sur le produit, veuillez consulter <https://eprel.ec.europa.eu/> ou scannez le QR sur l'étiquette énergétique fournie avec l'appareil

Italiano

Vi ringraziamo per aver scelto questo nostro prodotto.

Prima di utilizzare il frigorifero, leggere il presente manuale di istruzioni per massimizzare le prestazioni del prodotto. Riporre tutta la documentazione per utilizzo futuro o per i successivi proprietari. Questo apparecchio è destinato unicamente in ambiente domestico o per applicazioni simili quali:

- La zona cucina destinata al personale di negozi, uffici e altri ambienti lavorativi
- Di beauty farm, alla clientela di hotel, motel e altri ambienti di tipo residenziale
- Nei Bed&Breafast (B&B)
- Per servizi di catering ed applicazioni simili esclusa la vendita al dettaglio.

Questo elettrodomestico deve essere utilizzato unicamente per la conservazione degli alimenti; qualsiasi altro uso è considerato pericoloso e il produttore non è ritenuto responsabile per eventuali omissioni. Si consiglia anche di leggere con attenzione le condizioni di garanzia.

INFORMAZIONI DI SICUREZZA

Leggere attentamente le istruzioni per l'uso e l'installazione. Le istruzioni contengono informazioni importanti relative all'installazione, all'uso e alla manutenzione dell'elettrodomestico. Il produttore non è responsabile del mancato rispetto delle istruzioni e delle avvertenze. Conservare tutta la documentazione per future consultazioni o per i proprietari successivi.

- **Collegare l'elettrodomestico all'alimentazione elettrica solo dopo aver rimosso l'imballo e le protezioni per il trasporto. Tenere lontani i bambini dall'imballo e dai relativi componenti. I cartoni pieghevoli e la pellicola di plastica potrebbero causare il soffocamento.**
- **Lasciare riposare per almeno 4 ore prima dell'accensione per consentire all'olio del compressore di depositarsi se trasportato orizzontalmente**
- **Al momento della consegna, verificare che il prodotto non sia danneggiato e che tutte le parti e gli accessori siano in perfette condizioni**
- **Non danneggiare il circuito del refrigerante**
- **Mantenere libere da qualsiasi ostruzione le aperture di ventilazione nel luogo in cui si trova l'elettrodomestico o nella struttura nella quale è incassato**
- **Non usare mai acqua per lavare la zona del compressore, pulire accuratamente con un panno asciutto dopo la pulizia per evitare la formazione di ruggine**
- **L'elettrodomestico deve essere maneggiato sempre da almeno due persone perché è pesante.**
- **Installare l'elettrodomestico a livello in un'area adatta alle dimensioni e all'uso.**

- Accertarsi che i dati elettrici sulla targhetta siano conformi all'alimentazione elettrica. In caso contrario, rivolgersi a un elettricista.
- L'elettrodomestico funziona con corrente elettrica 220-240 Vca / 50 Hz. Oscillazioni anomale della tensione possono causare il mancato avvio dell'elettrodomestico, danni al controllo della temperatura o al compressore oppure rumori anomali durante il funzionamento. In tal caso, è opportuno montare un regolatore automatico.
- Solo per il Regno Unito: il cavo di alimentazione dell'elettrodomestico è dotato di una spina a 3 conduttori (collegata a terra) adatta a una presa standard a 3 conduttori (collegata a terra). Non tagliare né smontare mai il terzo conduttore (collegamento a terra). Dopo l'installazione dell'elettrodomestico, la spina deve essere accessibile.
- Accertarsi che il cavo di rete non sia impigliato sotto l'elettrodomestico durante e dopo il trasporto/spostamento, per evitare che il cavo di rete venga tagliato o danneggiato. Se il cavo di alimentazione dell' elettrodomestico dovesse essere danneggiato, farlo sostituire dal produttore, dal suo servizio tecnico o da un tecnico qualificato, per evitare rischi
- Non montare l'elettrodomestico in ambienti polverosi, in presenza di olio o umidità, non esporlo alla luce solare diretta e all'acqua
- Non montare l'elettrodomestico vicino a stufe o materiali infiammabili
- PER gli elettrodomestici dotati di vano congelatore, non aprire il coperchio in caso di interruzione della corrente. Gli alimenti surgelati non dovrebbero guastarsi se l'interruzione dell'alimentazione dura meno delle ore indicate sull'etichetta della classificazione (tempo di aumento della temperatura). Se l'interruzione dell'alimentazione dura di più, controllare gli alimenti e consumarli immediatamente o ricongelarli solo dopo averli cotti.
- Se il coperchio dell'elettrodomestico non si riapre facilmente subito dopo che è stato chiuso, non si tratta di un problema, in quanto tale condizione dipende dalla differenza di pressione che si bilancerà entro pochi minuti consentendo nuovamente l'apertura del coperchio.
- Non conservare medicinali, batteri o sostanze chimiche nell'elettrodomestico. Questo elettrodomestico è destinato ad ambienti residenziali, per cui si sconsiglia di conservare materiali che richiedono temperature rigide.

- **Non piegare troppo o tirare il cavo di alimentazione e non toccare la spina con le mani bagnate**
- **Non conservare nell'elettrodomestico prodotti contenenti propellenti infiammabili (ad es. bombolette spray) o sostanze esplosive. Pericolo di esplosione!**
- **Non collocare elementi instabili (oggetti pesanti, contenitori pieni d'acqua) sopra il frigorifero, per evitare lesioni personali dovute a cadute o scosse elettriche causate dal contatto con l'acqua.**
- **Non usare apparecchi elettrici all' interno degli scomparti per la conservazione degli alimenti dell'elettrodomestico, se questi non sono del tipo consigliato dal produttore**
- **Non toccare gli elementi interni di raffreddamento, specialmente con le mani bagnate, per evitare crepe o lesioni**
- **Sono a rischio i bambini, le persone affette da limitazione delle capacità fisiche, mentali o sensoriali, nonché le persone che non conoscono perfettamente il funzionamento sicuro dell'elettrodomestico. Accertarsi che i bambini e le persone vulnerabili siano consapevoli dei pericoli. Una persona responsabile della sicurezza deve sorvegliare o istruire i bambini e le persone vulnerabili che adoperano l'elettrodomestico. L'elettrodomestico non deve essere utilizzato da bambini di età inferiore a 8 anni.**
- **I bambini non devono giocare con l' elettrodomestico**
- **I bambini dai 3 agli 8 anni possono riempire e svuotare questo elettrodomestico**
- **PER gli elettrodomestici dotati di vano congelatore: non conservare liquidi in bottiglia o in lattina (specialmente bevande gassate) nel vano congelatore. Le bottiglie e lattine possono scoppiare!**
- **PER gli elettrodomestici dotati di vano congelatore: non mettere mai in bocca alimenti surgelati subito dopo averli estratti dal vano congelatore. Pericolo di ustioni dovute alla bassa temperatura!**
- **Accertarsi sempre che i componenti di plastica e la guarnizione dello sportello siano privi di olio e grasso. In caso contrario, i componenti di plastica e la guarnizione dello sportello diventeranno porosi.**
- **Prima di ogni intervento occorre disinserire l' alimentazione elettrica all' elettrodomestico**
- **Non usare dispositivi meccanici o altri strumenti artificiali per accelerare il processo di sbrinamento, diversi da quelli consigliati dal produttore**

- **Non utilizzare oggetti appuntiti o acuminati come coltelli o forchette per rimuovere il ghiaccio. Non utilizzare mai asciugacapelli, riscaldatori elettrici o altri elettrodomestici per lo sbrinamento**
- **Si consiglia di mantenere pulita la spina: eventuali residui di sporco sulla spina possono provocare incendi**
- **Non cercare di riparare, smontare o modificare personalmente l'elettrodomestico. Per le riparazioni rivolgersi sempre all'assistenza clienti.**
- **Sorvegliare i bambini durante la pulizia o la manutenzione dell'elettrodomestico.**
- **Non pulire i ripiani di vetro freddi con acqua calda. Un'improvvisa variazione della temperatura può causare la rottura del vetro.**
- **AVVERTENZA: i tubi del circuito di refrigerazione trasportano una lieve quantità di refrigerante ecologico ma infiammabile (R600a) e di gas isolante (ciclopentano). Questi prodotti non danneggiano lo strato di ozono e non aumentano l'effetto serra. Se il refrigerante fuoriesce, può lesionare gli occhi o incendiarsi.**
- **Se il circuito di refrigerazione è visibilmente danneggiato:**
 - **Spegnere l'elettrodomestico e staccare la spina dalla rete elettrica.**
 - **Tenere lontano dall'elettrodomestico fiamme libere e/o fonti di ignizione.**
 - **Ventilare accuratamente il locale per alcuni minuti.**
 - **Informare l'assistenza clienti.**
- **AVVERTENZA: per scongiurare il rischio di incendi o scosse elettriche, non danneggiare la spina e/o il cavo di alimentazione.**
- **AVVERTENZA: non adoperare prese multiple o alimentatori portatili. Si sconsiglia l'uso di prolunghe e prese multiple.**
- **Non tentare di sedersi o stare in piedi sulla parte superiore dell'elettrodomestico, per evitare lesioni personali o danni all'elettrodomestico. Questo elettrodomestico non può essere impilato con altri elettrodomestici.**
- **Il prodotto è progettato e costruito solo per uso domestico**
- **È possibile utilizzare solo componenti originali forniti dal produttore. Il produttore garantisce che solo questi componenti soddisfano i requisiti di sicurezza.**
- **L'apertura prolungata della porta può causare un significativo aumento della temperatura nei vani dell'elettrodomestico**
- **Pulire regolarmente le superfici che possono venire a contatto con gli alimenti e i sistemi di scarico accessibili**

- **Pulire i serbatoi dell'acqua se non sono stati utilizzati per 48 ore; sciacquare l'impianto idrico collegato alla rete idrica se l'acqua non è stata prelevata per 5 giorni**
- **Conservare la carne e il pesce crudo in appositi contenitori in frigorifero, in modo che non vengano a contatto con altri alimenti o che non gocciolino su di essi**
- **Gli scomparti per surgelati a due stelle (se presenti nell'elettrodomestico) sono adatti alla conservazione di alimenti pre-congelati, alla conservazione o alla preparazione di gelati e alla produzione di cubetti di ghiaccio**
- **Gli scomparti a una, due e tre stelle (se presenti nell'elettrodomestico) non sono adatti al congelamento di alimenti freschi**
- **Se l'elettrodomestico viene lasciato vuoto per lunghi periodi di tempo, spegnere, sbrinare, pulire, asciugare e lasciare la porta aperta per evitare che si formi muffa all'interno**
- **Per i frigoriferi cantina: Apparecchio destinato esclusivamente alla conservazione del vino**
- **Per gli apparecchi a libera installazione: Apparecchio di refrigerazione non destinato ad essere utilizzato come apparecchio da incasso**
- **Per gli apparecchi senza uno scomparto a 4 stelle: Apparecchio di refrigerazione non idoneo al congelamento di alimenti**

Smaltimento degli elettrodomestici usati



Questo elettrodomestico dispone di contrassegno ai sensi della direttiva europea 2012/19/UE sui rifiuti di apparecchiature elettriche ed elettroniche (RAEE).

La direttiva RAEE riguarda le sostanze inquinanti (che possono causare conseguenze negative per l'ambiente) e i componenti principali (che possono essere riutilizzati). È importante che i RAEE siano sottoposti a trattamenti specifici in modo da togliere e smaltire in modo corretto gli inquinanti, nonché recuperare e riciclare tutti i materiali.

Spetta ai singoli individui garantire che i RAEE non diventino un problema a livello ambientale. Esistono alcune regole specifiche da rispettare:

- I RAEE non devono essere trattati come rifiuti domestici;
- I RAEE devono essere affidati agli speciali centri di raccolta gestiti dai comuni o da società autorizzate. In molti stati è disponibile anche un servizio di raccolta porta a porta per i RAEE.

In caso di acquisto di nuovi elettrodomestici, quelli vecchi possono essere affidati al venditore che li deve ritirare gratuitamente in numero corrispondente agli elettrodomestici acquistati, a condizione che i singoli elettrodomestici siano di tipo simile e con le stesse funzioni di quelli acquistati.

Conformità

Apponendo il marchio su questo prodotto, confermiamo la conformità a tutti i requisiti di legge europei in materia di sicurezza, salute e tutela ambientale applicabili per legge a questo prodotto.

Garanzia

La garanzia minima è: 2 anni per i Paesi UE, 3 anni per la Turchia, 1 anno per il Regno Unito, 1 anno per la Russia, 3 anni per la Svezia, 2 anni per la Serbia, 5 anni per la Norvegia, 1 anno per il Marocco, 6 mesi per l'Algeria, la Tunisia nessuna garanzia legale richiesta.

Risparmio energetico

Per un maggiore risparmio di energia si consiglia di procedere come segue:

- Installare l'elettrodomestico lontano da fonti di calore, al riparo dall'irradiazione diretta dei raggi solari e in un ambiente ben ventilato.
- Evitare di conservare alimenti caldi nel frigorifero per evitare di aumentare la temperatura interna, provocando un funzionamento continuo del compressore.
- Non riempirlo eccessivamente in modo tale da garantire una corretta circolazione dell'aria.
- Sbrinare l'elettrodomestico in presenza di ghiaccio per facilitare il trasferimento del freddo.
- In caso di mancanza di energia elettrica, si consiglia di lasciare chiusa la porta del frigorifero.
- Aprire o tenere aperte le porte dell'elettrodomestico il meno possibile.
- Evitare di regolare il termometro a temperature troppo basse.
- Togliere la polvere presente nella parte posteriore dell'elettrodomestico.

Sorgente luminosa (solo a LED) sostituibile solo da un professionista

Questo prodotto contiene una fonte luminosa con efficienza energetica di classe G.

ISTRUZIONI DI MONTAGGIO

➤ **Prima di utilizzare la cantinetta per vino**

- Togliere l'imballo esterno ed interno.
- Prima di collegare la cantinetta per vino all'alimentazione, lasciarla in posizione verticale per circa 2 ore. Questo serve a ridurre la possibilità di un malfunzionamento nell'impianto di raffreddamento durante la manipolazione del trasporto.
- Pulire la superficie interna con acqua tiepida utilizzando un panno morbido.
- Al momento di smaltire l'elettrodomestico, si prega di scegliere un centro di smaltimento autorizzato.

➤ **Installazione della cantinetta per vino**

- Questo elettrodomestico è progettato per l'installazione libera o ad incasso (completamente incassato) (Fare riferimento alla posizione dell'adesivo sul retro dell'elettrodomestico).
- **Questo elettrodomestico è destinato ad essere utilizzato esclusivamente per la conservazione di vino o bevande.**
- Collocare la cantinetta per vino su un pavimento sufficientemente robusto da sostenerlo a pieno carico. Per livellare la cantinetta per vino, regolare la gamba di livellamento anteriore nella parte inferiore della cantinetta.
- Questo elettrodomestico utilizza refrigerante antideflagrante, quindi non danneggiare mai le tubazioni di raffreddamento durante il trasporto. Posizionare la cantinetta per vino lontano dalla luce diretta del sole e da fonti di calore (stufa, riscaldamento, radiatore, ecc.). La luce solare diretta può influenzare il rivestimento acrilico e le fonti di calore possono aumentare il consumo elettrico. Anche temperature ambiente estremamente basse possono causare il malfunzionamento dell'elettrodomestico.
- Evitare di collocare l'elettrodomestico in luoghi umidi.
- Collegare la cantinetta per vino ad una presa a muro dedicata con messa a terra. Non rimuovere per alcuna ragione il puntale di terra (terzo) dal cavo di alimentazione. Eventuali domande relative all'alimentazione e/o alla messa a terra devono essere rivolte a un elettricista certificato o a un centro assistenza prodotti autorizzato.

➤ **Avvertenza**

- Conservare il vino in bottiglie sigillate;
- Non sovraccaricare il mobiletto;
- Non aprire la porta più del necessario;
- Non coprire i ripiani con fogli di alluminio o qualsiasi altro materiale che possa impedire la circolazione dell'aria;
- Nel caso in cui la cantinetta per vino venga conservata senza essere utilizzata per lunghi periodi si consiglia, dopo un'accurata pulizia, di lasciare socchiusa la porta per permettere all'aria di circolare all'interno del mobiletto al fine di evitare possibili formazioni di condensa, muffe o odori.

➤ **Limiti di temperatura ambiente**





Questo elettrodomestico è progettato per funzionare a temperature ambiente specificate dalla classe di temperatura indicata sulla targhetta.

- Temperata estesa (SN): «Apparecchio di refrigerazione destinato a essere utilizzato a una temperatura ambiente compresa tra 10 °C e 32 °C»
- Temperata (N): «Apparecchio di refrigerazione destinato a essere utilizzato a una temperatura ambiente compresa tra 16 °C e 32 °C»
- Subtropicale (ST): «Apparecchio di refrigerazione destinato a essere utilizzato a una temperatura ambiente compresa tra 16 °C e 38 °C»
- Tropicale (T): «Apparecchio di refrigerazione destinato a essere utilizzato a una temperatura ambiente compresa tra 16 °C e 43 °C»



FUNZIONAMENTO DELLA CANTINETTA PER VINO/PER LE BEVANDE E IMPOSTAZIONE DEL CONTROLLO DELLA TEMPERATURA

➤ Istruzioni del sistema di comando





- **Pulsante "  "**
Per controllare l'accensione/spegnimento di questo elettrodomestico tenere premuto questo tasto per circa 3 secondi.
- **Pulsante "  "**
Per controllare l'accensione e lo spegnimento della luce interna.
- **Pulsante "  " SU**
Usato per aumentare (caldo) la temperatura di 1°F (1°C).
- **Pulsante "  " GIÙ**
Usato per diminuire (freddo) la temperatura di 1°F (1°C).
- **"o"**
L'indicatore luminoso si accende per indicare che la modalità di raffreddamento è attualmente in funzione.
- **"DISPLAY"**
Mostra la temperatura impostata.

➤ Impostazione dei comandi della temperatura

Impostare la temperatura di raffreddamento desiderata premendo i pulsanti adiacenti agli indicatori "  " o "  ". Ad ogni pressione dei pulsanti si scorrono le impostazioni di temperatura disponibili con incrementi di 1°C.

L'impostazione della temperatura può essere regolata tra 5°C e 18°C.

Se si vuole ottenere ogni temperatura interna di impostazione, tenere premuto il pulsante "  " o "  " per 3 secondi, il LED lampeggerà e visualizzerà la temperatura effettiva. Dopo aver smesso di premere il pulsante per 5 secondi, la cifra del LED smette di lampeggiare, poi ritorna a visualizzare la temperatura impostata.

LED lampeggiante = temperatura del mobiletto
LED fisso = temperatura impostata

➤ Allarme temperatura

Se la temperatura interna è più alta di 23°C, visualizzerà "HI" sul pannello del display, e dopo un'ora si attiverà l'allarme / il cicalino. Ciò indica che la temperatura interna è troppo alta. Se la temperatura interna è inferiore a 0°C, sul pannello del display viene visualizzato "LO" e insieme all'allarme è attivo anche l'indicatore di malfunzionamento.

➤ **Funzione di richiamo della temperatura**

In caso di interruzione dell'alimentazione, la cantinetta per vino può ricordare le impostazioni di temperatura precedenti e, quando l'alimentazione viene ripristinata, la temperatura della cantinetta torna alla stessa impostazione di temperatura che aveva al momento dello spegnimento.

➤ **Illuminazione interna**

Per ridurre il consumo di energia, questa cantinetta per vino spegne automaticamente le luci a LED dopo 10 minuti.

Se si vuole che la luce a LED rimanga accesa in modo continuo, è possibile farlo. Tenere premuto il tasto "LUCES" per 5 secondi, il display visualizzerà "LP". Dopo 4 secondi il display tornerà alla visualizzazione normale e la luce rimarrà accesa fino allo spegnimento manuale.

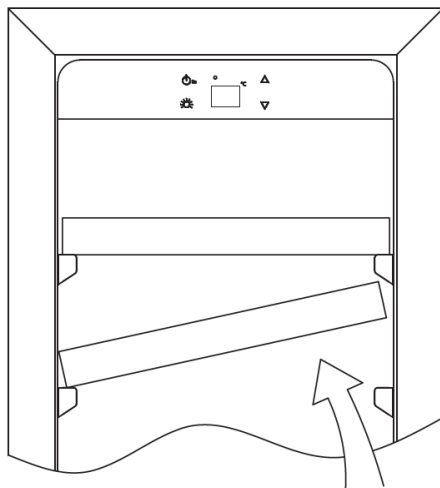
Se si desidera tornare indietro e risparmiare energia (procedura consigliata), tenere premuto il pulsante "LUCES" per 5 secondi, il display mostrerà "LF". Dopo 4 secondi il display tornerà alla visualizzazione normale e la luce si spegnerà automaticamente dopo 10 minuti.

➤ **Ripiani**

- Per evitare di danneggiare la guarnizione della porta, assicurarsi che la porta sia completamente aperta quando si estraggono i ripiani dal vano con il binario.
- Per un facile accesso al contenuto del ripiano, è necessario estrarre i ripiani per circa 1/3 dal vano con il binario. Tuttavia, l'elettrodomestico è stato progettato con una tacca su ogni lato dei binari del ripiano per evitare la caduta delle bottiglie.
- Quando si rimuove uno di questi ripiani dal vano con il binario, per montare o togliere il ripiano è necessario inclinare il ripiano come indicato sullo schema e quindi estrarlo semplicemente, oppure spingerlo fino a quando non si appoggia saldamente sulle staffe di supporto.

➤ **NOTA:**

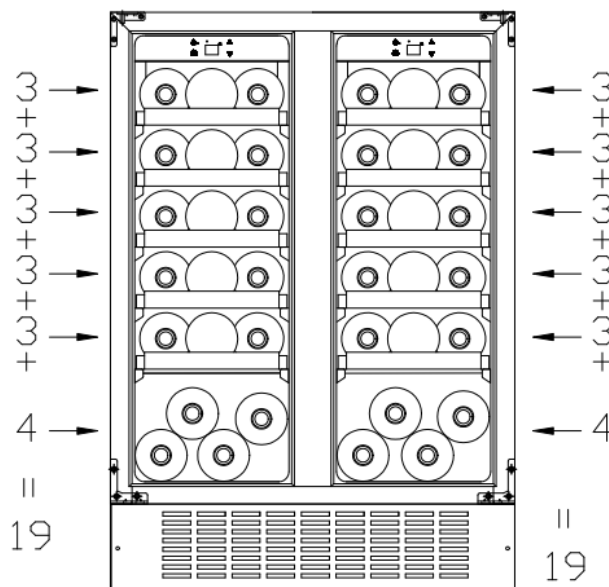
- Se l'elettrodomestico non è collegato alla presa, non è più alimentato oppure è spento, è necessario aspettare da 3 a 5 minuti prima di riattivarlo. Se si cerca di riattivarlo prima di questo intervallo di tempo, la cantinetta per vino/bevande non parte.
- Quando si utilizza la cantinetta per vino/bevande per la prima volta o la si riavvia dopo essere stata spenta per un lungo periodo di tempo, potrebbe esserci una variazione di alcuni gradi tra la temperatura selezionata e quella indicata sul display a LED. Questo è normale ed è dovuto alla lunghezza del tempo di attivazione. Una volta che la cantinetta per vino/bevande sarà in funzione per qualche ora, tutto tornerà alla normalità.



➤ **Schema di conservazione vino/bevande**

In base alla configurazione effettiva del vostro prodotto, si prega di controllare il relativo schema di conservazione.

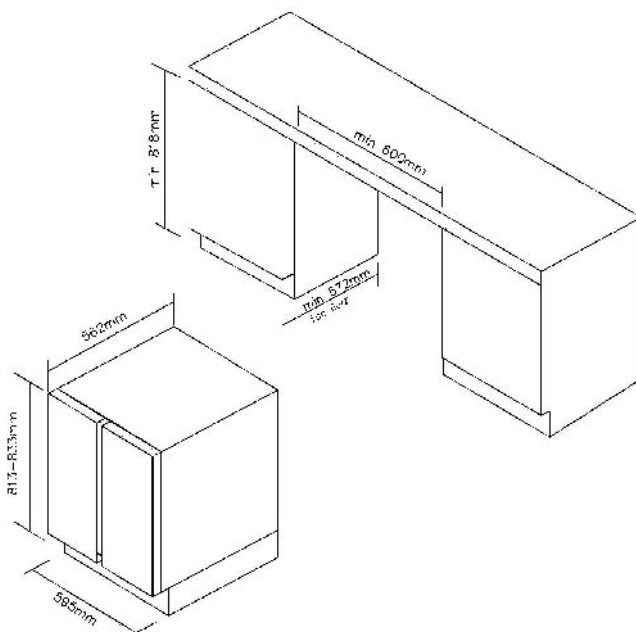
Totale: massimo 38 bottiglie



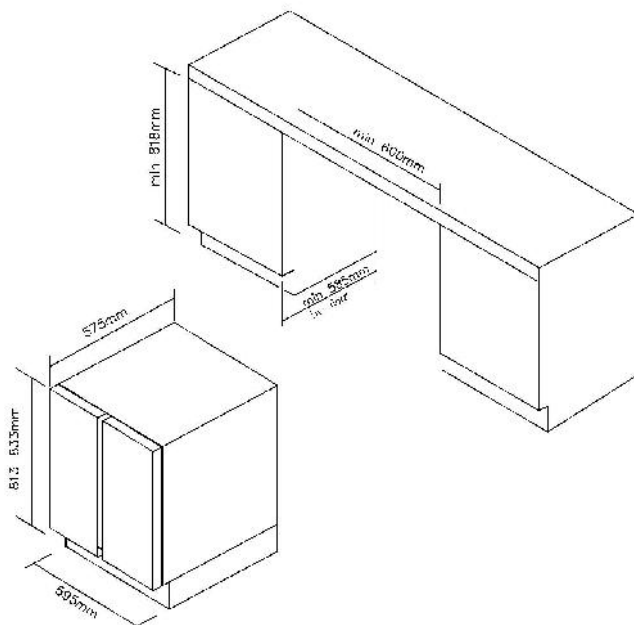
La configurazione che consente il maggiore risparmio energetico richiede il posizionamento dei ripiani nel prodotto; fare riferimento alle immagini precedenti.

➤ **Specifiche di montaggio per incasso**

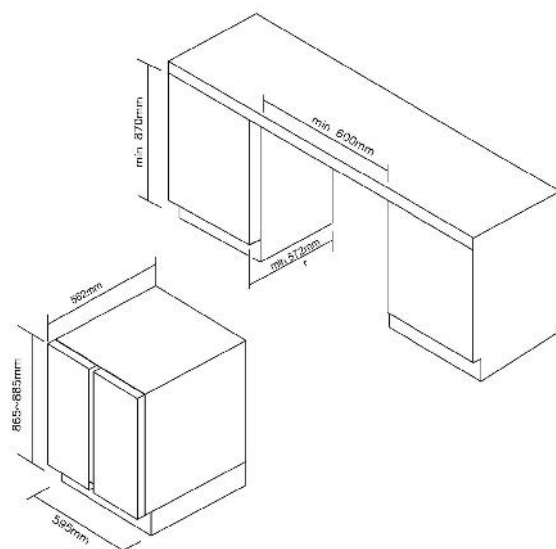
Per altezza 813 mm con porta tutto vetro o in acciaio inox



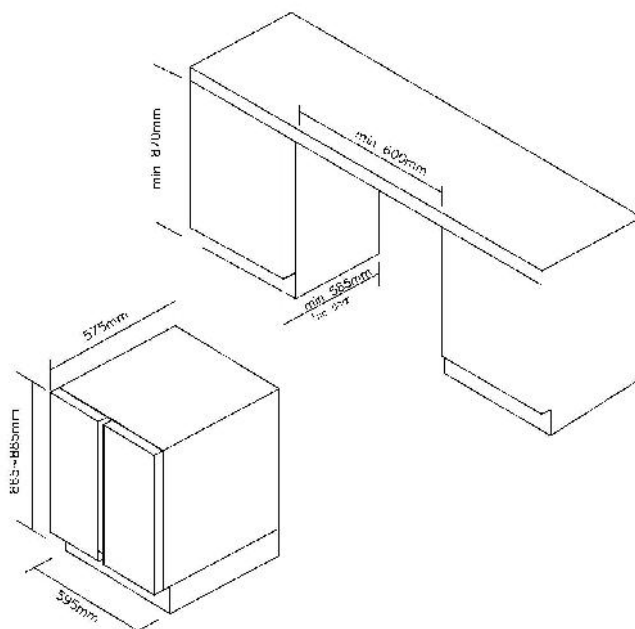
Per altezza 813 mm con porta in acciaio inox sottile



Per altezza 865 mm con porta tutto vetro o in acciaio inox



Per altezza 865 mm con porta in acciaio inox sottile



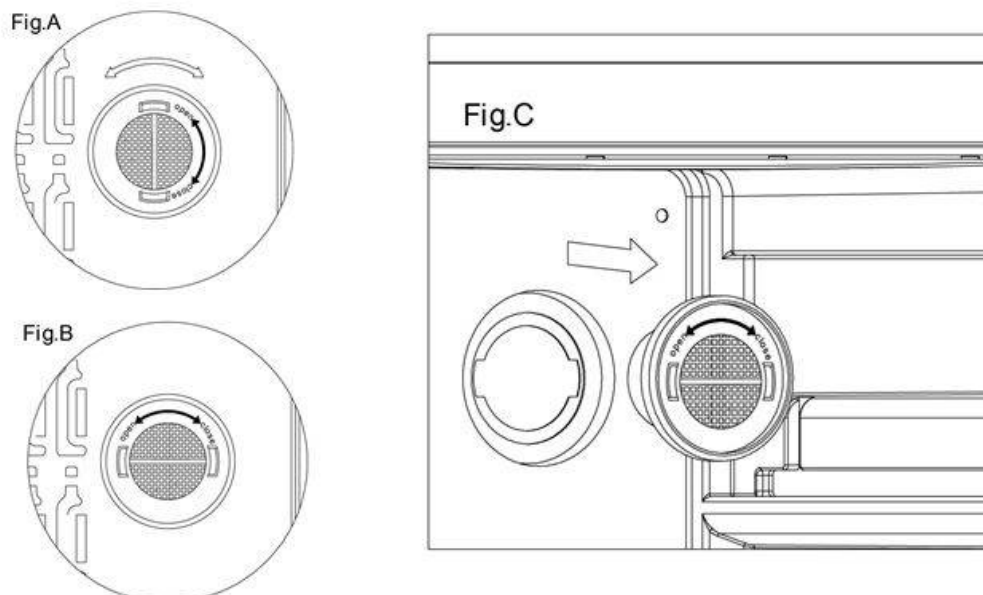
PULIZIA E MANUTENZIONE

➤ Pulizia della cantinetta per vino

- Togliere alimentazione, scollegare l'elettrodomestico e rimuovere tutti gli oggetti, compresi i ripiani e la griglia.
- Lavare le superfici interne con acqua calda e una soluzione di bicarbonato di sodio. La soluzione dovrebbe essere di circa 2 cucchiaini di bicarbonato di sodio in un quarto d'acqua.
- Lavare i ripiani con una soluzione detergente delicata.
- Strizzare l'acqua in eccesso dalla spugna o dal panno quando si pulisce l'area dei comandi, o qualsiasi parte elettrica.
- Lavare il mobiletto esterno con acqua calda e detergente liquido delicato. Sciacquare bene e asciugare con un panno morbido pulito.

➤ **Come sostituire il filtro a carbone (se presente nel vostro apparecchio)**

- I filtri al carbone si trovano nell'angolo in alto a sinistra di ogni zona della cantinetta.
- Aprire lo sportello e togliere i 2 ripiani superiori (vedere smontaggio dei ripiani).
- Ruotare il filtro come da Fig. A.
- Come indicato in Fig. B, il filtro deve allinearsi con le tacche come mostrato in figura.
- Estrarre il filtro (Fig. C).
- Inserire il filtro di ricambio e ruotare come da Fig. A per bloccarlo in posizione.
- Rimontare i ripiani.



➤ **Mancanza di alimentazione**

- La maggior parte delle interruzioni di corrente vengono risolte nel giro di poche ore e non dovrebbero influire sulla temperatura dell'elettrodomestico se si riduce al minimo il numero di aperture della porta. Se l'alimentazione viene interrotta per un periodo di tempo prolungato, è necessario adottare le misure adeguate per proteggere il contenuto.

➤ **Periodi di vacanza**

- **Assenze brevi:** Lasciare la cantinetta per vino in funzione in caso di assenze inferiori alle tre settimane.
- **Assenze prolungate:** Se l'elettrodomestico non verrà utilizzato per diversi mesi, rimuovere il contenuto e staccare la spina. Pulire e asciugare accuratamente l'interno dell'elettrodomestico. Per impedire la formazione di odori e di muffa, lasciare la porta leggermente aperta, se necessario bloccarla.

➤ **Spostamento della cantinetta per vino**

- Rimuovere tutti gli elementi.
- Fissare saldamente con nastro tutti gli elementi sfusi (ripiani) all'interno dell'elettrodomestico.
- Ruotare la gamba regolabile fino alla base per evitare danni.
- Chiudere la porta con nastro adesivo.
- Assicurarci che l'elettrodomestico rimanga in posizione verticale durante il trasporto. Proteggere anche l'esterno dell'elettrodomestico con una coperta o un oggetto simile.

➤ **Accorgimenti per il risparmio energetico**

- La cantinetta per vino deve essere posizionata nel punto più fresco della stanza, lontano da elettrodomestici che producono calore e al riparo dalla luce diretta del sole.

PROBLEMA DELLA CANTINETTA PER VINO/BEVANDE?

È possibile risolvere molti problemi più comuni della cantinetta per vino/bevande, risparmiando il costo di una possibile chiamata di servizio. Provare i suggerimenti riportati di seguito per verificare se è possibile risolvere il problema prima di chiamare il servizio di assistenza.

GUIDA ALL'INDIVIDUAZIONE DEI PROBLEMI

PROBLEMA	POSSIBILE CAUSA
La cantinetta per vino/bevande non funziona.	Non collegata. L'elettrodomestico è spento. L'interruttore automatico è scattato o il fusibile è bruciato.
La cantinetta per vino/bevande non è sufficientemente fredda.	Verificare l'impostazione del controllo della temperatura. L'ambiente esterno può richiedere un'impostazione più elevata. La porta viene aperta con troppa frequenza. La porta è chiusa male. La guarnizione della porta non sigilla correttamente.
Si accende e spegne frequentemente.	La temperatura ambiente è più calda del normale. Una grande quantità di contenuto è stata aggiunta alla cantinetta per vino/bevande. La porta viene aperta con troppa frequenza. La porta è chiusa male. Il controllo della temperatura non è impostato correttamente. La guarnizione della porta non sigilla correttamente.
La luce non funziona.	Non collegata. L'interruttore automatico è scattato o il fusibile è bruciato. La lampadina è bruciata. Il pulsante della luce è spento.
Vibrazioni.	Controllare che la cantinetta per vino/bevande sia in piano.
La cantinetta per vino/bevande sembra essere troppo rumorosa.	Il rumore di battito può provenire dal flusso del refrigerante, che è normale. Al termine di ogni ciclo, potreste sentire dei gorgoglii causati dal flusso di refrigerante nella vostra cantinetta per vino/bevande. La contrazione e l'espansione delle pareti interne possono causare rumori di scoppiettio e crepitio. La cantinetta per vino/bevande non è in piano.
La porta non chiude in modo corretto.	La cantinetta per vino/bevande non è in piano. La porta è stata invertita e non è stata installata correttamente. La guarnizione è sporca. I ripiani non sono in posizione.

Per contattare l'assistenza tecnica, visitare il nostro sito Web: <https://corporate.haier-europe.com/en/>. Nella sezione "websites", scegli la marca del tuo prodotto e il tuo paese. Verrai reindirizzato al sito specifico dove potrai trovare il numero di telefono e il modulo per contattare l'assistenza tecnica

➤ **Disponibilita' dei ricambi**

- Termostati, sensori di temperatura, schede a circuiti stampati e sorgenti luminose sono disponibili per un periodo minimo di sette anni dall'immissione sul mercato dell'ultima unità del modello;
- Maniglie e cerniere delle porte, vassoi e cesti sono disponibili per un periodo minimo di sette anni e guarnizioni delle porte per un periodo minimo di dieci anni dall'immissione sul mercato dell'ultima unità del modello;

IMPOSTAZIONI DI TEMPERATURA consigliate

Per conservare TUTTI I TIPI DI VINI	12 °C to 14 °C
Per conservare TUTTI I TIPI DI VINI	
Champagne Sans Année	6 °C
Champagne millesimato	10 °C
Semillon bianco secco, Sauvignon Blanc	8 °C
Gewürztraminer bianco secco, Riesling	10 °C
Chardonnay bianco secco	10 °C
Chardonnay millesimato	14 °C
Bianchi dolci (Sauternes, Monbazillac), ice wine di vendemmia tardiva	10 °C
Sauternes millesimati (bianco dolce)	14 °C
Beaujolais	13 °C
Pinot Noir rosso	16 °C
Pinot Noir rosso millesimato	18 °C
Cabernet rosso, Merlot, francese, australiano, neozelandese, cileno, argentino, italiano, spagnolo, californiano	18 °C
Grenache rosso, Syrah	16 °C

Per ulteriori informazioni sul prodotto, consultare <https://eprel.ec.europa.eu/> o eseguire la scansione del QR sull'etichetta energetica fornita con l'apparecchio

Nederlands

Dank u voor de aanschaf van dit product.

Voordat u de koelkast gaat gebruiken dient u deze gebruiksaanwijzing aandachtig te lezen om de maximale prestaties van het apparaat te bereiken. Bewaar alle documentatie voor latere raadpleging of voor andere eigenaars. Dit product is uitsluitend bedoeld voor huishoudelijk gebruik of soortgelijke toepassingen, zoals:

- de personeelskeuken in winkels, kantoren en andere werkomgevingen
- op landbouwbedrijven, door cliënten in hotels, motels en andere woonomgevingen
- in Bed and Breakfasts (B&B)
- voor cateringservices en vergelijkbare toepassingen die niet voor retailverkoop zijn bedoeld.

Dit apparaat mag alleen worden gebruikt om voedsel te conserveren, elk ander gebruik wordt gevaarlijk geacht en de fabrikant aanvaardt geen aansprakelijkheid voor eventuele problemen. Verder adviseren wij u om de garantievoorwaarden te lezen.

VEILIGHEIDSINFORMATIE

Lees de bedienings- en installatieinstructies zorgvuldig door! Ze bevatten belangrijke informatie over de installatie, het gebruik en het onderhoud van het apparaat. De fabrikant is niet aansprakelijk als u zich niet aan de instructies en waarschuwingen houdt. Bewaar alle documenten voor volgend gebruik of voor de volgende eigenaar.

- **Sluit het apparaat niet aan op de elektriciteitsvoorziening voordat alle verpakkingen en transportbeschermers zijn verwijderd. Houd kinderen uit de buurt van verpakkingen en onderdelen. Gevaar voor verstikking van vouwdoosjes en plastic folie!**
- **Laat het apparaat minstens 4 uur staan voordat u het inschakelt, zodat de compressorolie kan bezinken na horizontaal transport**
- **Controleer bij levering of het product niet beschadigd is en of alle onderdelen en accessoires in perfecte staat zijn**
- **Beschadig het koelmiddelcircuit niet.**
- **Zorg dat de ventilatieopeningen in de omkasting van het apparaat of in de inbouwconstructie nooit verstopt raken of afgedekt worden**
- **Gebruik nooit water om de compressor te wassen, veeg deze na het reinigen grondig schoon met een droge doek om roestvorming te voorkomen**
- **Verplaats het apparaat altijd met ten minste twee personen, het is namelijk zwaar.**
- **Installeer het apparaat waterpas op een plaats die geschikt is voor de grootte en het gebruik ervan.**
- **Controleer of de elektrische informatie op het typeplaatje overeenkomt met de stroomvoorziening. Als dat niet het geval is, neem dan contact op met een elektricien.**
- **Het apparaat wordt gebruikt met een voeding van 220-240 VAC/50 Hz. Abnormale spanningsschommelingen kunnen ertoe leiden dat het apparaat niet start of dat de temperatuurregeling of de compressor beschadigd raakt of dat er tijdens het gebruik een abnormaal geluid optreedt. In dat geval moet er een automatische regelaar worden gemonteerd.**

- **Alleen voor Groot-Brittannië:** Het netsnoer van het apparaat is voorzien van een 3-pins (geaarde) stekker die past op een standaard 3-pins (geaard) stopcontact. De derde pin (aarding) mag nooit worden afgesneden of gedemonteerd. Nadat het apparaat is geïnstalleerd, moet de stekker bereikbaar zijn.
- **Zorg ervoor dat het netsnoer tijdens en na het dragen/verplaatsen van het apparaat niet onder het apparaat blijft vastzitten, om te voorkomen dat het netsnoer doorgesneden of beschadigd wordt. Als het netsnoer beschadigd is, moet het worden vervangen door de fabrikant, zijn servicevertegenwoordiger of andere bevoegde personen om gevaarlijke situaties te voorkomen**
- **Zet het apparaat niet op vochtige, olieachtige of stoffige plaatsen en stel het niet rechtstreeks bloot aan zonlicht en water**
- **Installeer het apparaat niet in de buurt van verwarmingen of ontvlambare materialen**
- **VOOR apparaten met een vriesvak: het deksel niet openen als er een stroomstoring is. Bevroren voedsel mag niet worden beïnvloed als de storing minder lang duurt dan de uren die op het etiket worden vermeld (Stijgtijd temperatuur). Als de storing langer duurt, moet het voedsel worden gecontroleerd en onmiddellijk worden geconsumeerd of bereid en daarna opnieuw ingevroren.**
- **Maakt u zich geen zorgen als het deksel van de diepvrieskist meteen nadat u hem heeft gesloten moeilijk te openen is. Dit komt door het drukverschil, dat gewoonlijk na enkele minuten verdwijnt waardoor het deksel gewoon kan worden geopend.**
- **Bewaar geen geneesmiddelen, bacteriën of chemische middelen in het apparaat. Dit apparaat is een huishoudelijk apparaat, het wordt niet aanbevolen om materialen op te slaan die strikte temperaturen vereisen.**
- **Trek niet aan het snoer en knik het niet; raak het niet met natte handen aan**
- **Bewaar geen producten die ontvlambare drijfgassen (bijv. spuitbussen) of explosieve stoffen bevatten in het apparaat. Risico op explosie!**
- **Plaats geen onstabiele voorwerpen (zware voorwerpen, containers gevuld met water) bovenop de koelkast, om persoonlijk letsel door vallen of elektrische schokken door contact met water te voorkomen.**
- **Gebruik geen elektrische apparaten in de bewaarvakken voor voedingsmiddelen van het apparaat, tenzij ze van het door de fabrikant aanbevolen type zijn**
- **Raak de interne koelelementen niet aan, vooral niet met natte handen, om scheuren of verwondingen te voorkomen**

- **Kinderen, mensen met beperkte lichamelijke, mentale of zintuiglijke vermogens, en mensen die onvoldoende kennis hebben over de veilige bediening van het apparaat lopen een groter risico. Controleer of kinderen en kwetsbare mensen de gevaren hebben begrepen. Een persoon die verantwoordelijk is voor de veiligheid moet toezicht houden op of instructies geven aan kinderen en kwetsbare personen die het apparaat gebruiken. Alleen kinderen van 8 jaar en ouder mogen het apparaat gebruiken.**
- **Kinderen mogen niet met het apparaat spelen**
- **Kinderen van 3 tot 8 jaar mogen dit apparaat in- en uitladen**
- **VOOR apparaten met een vriesvak: bewaar geen vloeistoffen in flessen of blik (vooral geen koolzuurhoudende dranken) in het vriesvak. Flessen en blikken kunnen barsten!**
- **VOOR apparaten met een vriesvak: plaats bevroren voedsel nooit rechtstreeks uit het vriesvak in uw mond. Risico op vrieswonden!**
- **Houd plastic onderdelen en de afdichting van de deur vrij van olie en vet. Anders zullen plastic onderdelen en de deurafdichting poreus worden.**
- **Haal de stekker uit het stopcontact voordat u welke handeling dan ook op het apparaat gaat verrichten**
- **Gebruik geen mechanische apparaten of andere middelen om het ontdooien te versnellen, behalve degene die worden aanbevolen door de fabrikant**
- **Gebruik geen puntige of scherpe voorwerpen zoals messen of vorken om de ijsafzettingen te verwijderen. Gebruik nooit föhnen, elektrische verwarmingstoestellen of andere dergelijke elektrische apparaten om te ontdooien**
- **Geadviseerd wordt om de stekker schoon te houden, stof op de stekker kan de oorzaak zijn van brand**
- **Probeer het apparaat niet zelf te repareren, te demonteren of te wijzigen. In geval van reparatie kunt u altijd contact opnemen met onze klantenservice.**
- **Houd tijdens het schoonmaken of onderhouden van het apparaat toezicht op kinderen.**
- **Reinig de koude glazen planken niet met heet water. Door plotselinge temperatuurveranderingen kan het glas breken.**
- **WAARSCHUWING: De leidingen van het koelcircuit transporteren een kleine hoeveelheid milieuvriendelijk maar ontvlambaar koelmiddel (R600a) en isolatiegas (cyclopentaan). Het is niet schadelijk voor de ozonlaag en vergroot het broeikaseffect niet. Als het koelmiddel ontsnapt, kan het letsel aan uw ogen veroorzaken of ontbranden.**
- **Als het koelcircuit beschadigd raakt:**

- Schakel het apparaat uit en trek de stekker uit het stopcontact.
- Houd open vlammen en/of ontstekingsbronnen uit de buurt van het apparaat.
- Ventileer de ruimte enkele minuten grondig.
- Breng de klantenservice op de hoogte.
- **WAARSCHUWING:** Beschadig de stekker en/of het netsnoer niet; dit kan elektrische schokken of brand veroorzaken.
- **WAARSCHUWING:** Gebruik geen meerdere draagbare stopcontacten of draagbare voedingen. We raden het gebruik van verlengsnoeren en multi-adapters niet aan."
- Probeer niet op de bovenkant van het apparaat te zitten of staan. U kunt uzelf verwonden of het apparaat beschadigen. Dit apparaat is niet ontworpen om op andere apparaten te stapelen.
- Het product is uitsluitend ontworpen en gebouwd voor huishoudelijk gebruik
- Alleen originele onderdelen die door de fabrikant worden geleverd, mogen worden gebruikt. De fabrikant garandeert dat alleen deze onderdelen aan de veiligheidseisen voldoen.
- Het langdurig openen van de deur kan leiden tot een aanzienlijke verhoging van de temperatuur in de compartimenten van het apparaat
- Reinig regelmatig oppervlakken die in contact kunnen komen met levensmiddelen en toegankelijke afvoersystemen
- Reinig waterreservoirs als ze 48 uur niet zijn gebruikt; spoel de waterinstallatie door als er gedurende 5 dagen geen water is aangezogen
- Bewaar rauw vlees en vis in geschikte recipiënten in de koelkast, zodat deze niet in contact komen met of druipen op ander voedsel
- De diepvriesvakken met twee sterren (als ze in het apparaat aanwezig zijn) zijn geschikt voor het bewaren van vooringevroren levensmiddelen, het bewaren of maken van ijs en het maken van ijsblokjes
- Een-, twee- en drie-sterren compartimenten (als ze in het apparaat aanwezig zijn) zijn niet geschikt voor het invriezen van verse levensmiddelen
- Als het apparaat gedurende lange tijd leeg is, moet u het uitschakelen, ontdooien, reinigen, drogen en de deur open laten om schimmelvorming in het apparaat te voorkomen
- Voor wijnbewaarkasten: Dit apparaat is uitsluitend bedoeld voor het bewaren van wijn
- Voor een vrijstaand apparaat: Dit koelapparaat is niet bedoeld om te worden gebruikt als inbouwapparaat

- **Voor apparaten zonder 4-sterrencompartment: dit koelapparaat is niet geschikt voor het invriezen van levensmiddelen**

Afdanken van oude apparaten



Dit apparaat is voorzien van een merkteken in overeenstemming met de Europese richtlijn 2012/19/EU inzake Afgedankte Elektrische en Elektronische Apparatuur (AEEA).

AEEA bevat vervuilende stoffen (die negatieve gevolgen voor het milieu kunnen hebben) en basisonderdelen (die hergebruikt kunnen worden). Het is belangrijk om AEEA specifieke behandelingen te laten ondergaan, teneinde alle vervuilende stoffen te verwijderen of op de juiste manier af te voeren en alle materialen terug te winnen en te recyclen.

Personen kunnen een belangrijke rol spelen om ervoor te zorgen dat AEEA niet in het milieu terecht komt; hiervoor moeten enkele elementaire regels worden gevolgd:

- AEEA mag niet worden behandeld als gewoon huisvuil;
- AEEA moet naar een speciaal gemeentelijk inzamelpunt of naar geregistreerde bedrijven worden gebracht. In veel landen wordt grote AEEA thuis opgehaald.

Wanneer u een nieuw apparaat koopt, kunt u in veel landen uw oude apparaat inleveren bij de leverancier, die het gratis meeneemt, zolang de apparatuur van hetzelfde type is en dezelfde functies heeft als de geleverde apparatuur.

Naleving

Door het aanbrengen van de -markering op dit product, verklaren wij onder onze eigen verantwoordelijkheid dat dit product in overeenstemming is met alle Europese wettelijke voorschriften met betrekking tot de vereisten inzake veiligheid, gezondheid en milieu.

Garantie

Minimumgarantie is: 2 jaar voor EU-landen, 3 jaar voor Turkije, 1 jaar voor het Verenigd Koninkrijk, 1 jaar voor Rusland, 3 jaar voor Zweden, 2 jaar voor Servië, 5 jaar voor Noorwegen, 1 jaar voor Marokko, 6 maanden voor Algerije, Tunesië geen wettelijke garantie vereist.

Energiebesparing

Voor meer energiebesparing adviseren we het volgende:

- Plaats het apparaat uit de buurt van warmtebronnen en niet blootgesteld aan direct zonlicht, in een goed geventileerde ruimte.
- Vermijd het plaatsen van warm voedsel in de koelkast om te voorkomen dat de interne temperatuur stijgt en dat de compressor dus continu in werking blijft.
- Zet niet te veel voedsel in het apparaat, want er moet voldoende lucht kunnen circuleren.
- Ontdooi het apparaat als er zich ijs gevormd heeft, om de koudeoverdracht te bevorderen.
- Als de stroom uitvalt, is het raadzaam de koelkastdeur gesloten te houden.
- Open de deuren van het apparaat zo weinig mogelijk en houd ze zo kort mogelijk open
- Zet de thermostaat niet op te lage temperaturen.
- Verwijder het stof van de achterkant van het apparaat

De lichtbron (alleen led) mag alleen door een vakman worden vervangen
Dit product bevat een lichtbron van energie-efficiëntieklasse G.

INSTALLATIE-INSTRUCTIES

➤ Voordat u uw wijnkoeler gebruikt

- Verwijder de buiten- en binnenverpakking.
- Laat de wijnkoeler ongeveer 2 uur rechtop staan voordat u deze aansluit op de netvoeding. Dit verkleint de mogelijkheid van een storing in het koelsysteem door hantering tijdens het transport.
- Reinig de binnenkant met lauw water en een zachte doek.
- Kies bij het afdanken van uw apparaat voor een geautoriseerde afvoerlocatie.

➤ Installatie van uw wijnkoeler

- Dit apparaat is ontworpen voor vrijstaande installatie of ingebouwde (volledig verzonken) installatie (raadpleeg de sticker aan de achterkant van dit apparaat).
- **Dit apparaat is uitsluitend bedoeld voor het bewaren van wijn of dranken.**
- Plaats uw wijnkoeler op een vloer die sterk genoeg is om hem te ondersteunen wanneer hij volledig volgeladen is. Om uw wijnkoeler waterpas te zetten, stelt u de nivelleringspoot aan de voorzijde aan de onderkant van de wijnkoeler af.
- Dit apparaat gebruikt brandbaar koudemiddel. Beschadig de koelleidingen dus nooit tijdens het transport. Plaats de wijnkoeler uit de buurt van direct zonlicht en warmtebronnen (fornuis, verwarming, radiator enz.). Direct zonlicht kan de acrylcoating beïnvloeden en warmtebronnen kunnen het elektriciteitsverbruik verhogen. Extreme koude omgevingstemperaturen kunnen er ook voor zorgen dat het apparaat niet goed werkt.
- Plaats het apparaat niet in vochtige ruimtes.
- Sluit de wijnkoeler aan op een apart, correct geïnstalleerd stopcontact. Verwijder de derde (aard)pin nooit, onder geen enkele omstandigheid, uit de stekker van het netsnoer. Alle vragen met betrekking tot de stroomvoorziening en/of aarding dienen te worden gericht aan een erkende elektricien of een erkend productenservicecenter.

➤ Let op

- Bewaar wijn in verzegelde flessen;
- Laad de kast niet te vol;
- Open de deur niet, tenzij nodig;
- Bedek schappen niet met aluminiumfolie of enig ander materiaal dat de luchtcirculatie kan verhinderen;
- Als de wijnkoeler langdurig zonder gebruik wordt bewaard, wordt aanbevolen om na een zorgvuldige reiniging de deur op een kier te laten staan zodat er lucht in de kast kan circuleren, om mogelijke vorming van condens, schimmel of geuren te voorkomen.

➤ Omgevingstemperatuurlimieten





Dit apparaat is ontworpen om te werken bij omgevingstemperaturen die worden gespecificeerd door de temperatuurklasse die op het typeplaatje is aangegeven.

- Uitgebreid gematigd (SN): "dit koelapparaat is bedoeld voor gebruik bij omgevingstemperaturen van 10 °C tot 32 °C"
- Gematigd (N): "dit koelapparaat is bedoeld voor gebruik bij omgevingstemperaturen van 16 °C tot 32 °C"
- Subtropisch (ST): "dit koelapparaat is bedoeld voor gebruik bij omgevingstemperaturen van 16 °C tot 38 °C"
- Tropisch (T): "dit koelapparaat is bedoeld voor gebruik bij omgevingstemperaturen van 16 °C tot 43 °C"



BEDIENEN VAN UW WIJN-/DRANKENKOELER EN INSTELLEN VAN DE TEMPERATUURREGELING

➤ Instructie bedieningssysteem





- **Knop “”**
Het apparaat in-/uitschakelen (houd deze knoppen ongeveer 3 seconden ingedrukt).
- **Knop “”**
De binnenverlichting in-/uitschakelen.
- **OMHOOG-knop “”**
Wordt gebruikt om de temperatuur in stappen van 1°F (1°C) te verhogen.
- **OMLAAG-knop “”**
Wordt gebruikt om de temperatuur in stappen van 1°F (1°C) te verlagen.
- **“o”**
Het indicatielampje gaat branden om aan te geven dat de koelmodus momenteel in werking is.
- **“DISPLAY”**
Geeft de ingestelde temperatuur weer.

➤ De temperatuurregelingen instellen

Stel de gewenste koeltemperatuur in door op de knoppen naast de indicatielampjes "" of "" te drukken. Bij elke druk op de knop scrolt u door de beschikbare temperatuurinstellingen, in stappen van 1°C.

De temperatuurinstelling kan worden aangepast van 5°C tot 18°C.

Als u elke werkelijke binnentemperatuur wilt zien, houdt u de knop "" of "" 3 seconden ingedrukt. De LED gaat knipperen en geeft de werkelijke temperatuur weer. Nadat u de knop heeft losgelaten stopt de LED met knipperen en wordt de ingestelde temperatuur weergegeven.

Knipperende LED = Kasttemperatuur

Ononderbroken brandende LED = Ingestelde temperatuur

➤ Temperatuuralarm

Als de binnentemperatuur hoger is dan 23°C, wordt "HI" weergegeven op het display. Na één uur gaat het alarm / zoemer af. Dit geeft aan dat de binnentemperatuur te hoog is. Als de binnentemperatuur lager is dan 0°C, wordt "LO" weergegeven op het display. Tegelijk worden het alarm en de storingsindicator geactiveerd.

➤ **Functie temperatuurgeheugen**

In het geval van een stroomonderbreking kan de wijnkoeler de vorige temperatuurinstellingen onthouden. Wanneer de stroom wordt hersteld, zal de koelertemperatuur terugkeren naar dezelfde insteltemperatuur als toen de stroom werd onderbroken.

➤ **Binnenverlichting**

Om het energieverbruik te verminderen, schakelt deze wijnkast na 10 minuten automatisch de LED-lampjes uit.

Als u wilt dat het LED-lampje continu blijft branden, is dit mogelijk. Houd de "LAMP"-knop 5 seconden ingedrukt, het display geeft "LP" weer. Na 4 seconden zal het scherm weer normaal worden en zal het licht blijven branden totdat het handmatig wordt uitgeschakeld.

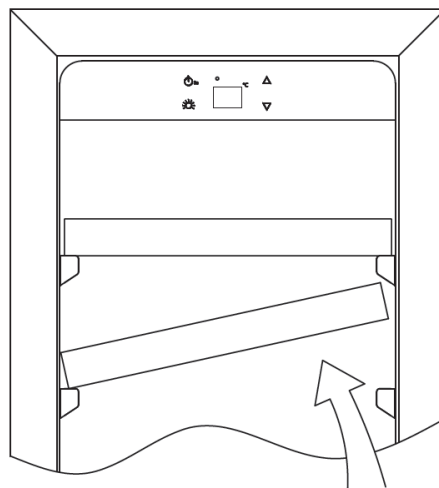
Als u terug wilt keren en energie wilt besparen (aanbevolen), houd dan de "LAMP"-knop 5 seconden ingedrukt; het display geeft "LF" weer. Na 4 seconden zal het scherm weer normaal worden en wordt de verlichting automatisch uitgeschakeld na 10 minuten.

➤ **Schappen**

- Om schade aan de deurpakking te voorkomen, moet u ervoor zorgen dat de deur helemaal open is wanneer u schappen uit het railcompartiment trekt.
- Voor gemakkelijke toegang tot de inhoud moet u de schappen ongeveer 1/3 uit het railcompartiment trekken. Dit apparaat is ontworpen met een inkeping aan beide zijden van de reksteunen om te voorkomen dat flessen vallen.
- Verwijderen van een van deze schappen uit het railcompartiment: om een schap te plaatsen of te verwijderen, kantelt u het schap volgens de afbeelding en trekt u het eruit, of duwt u het schap erin totdat het stevig op de steunbeugels rust.

➤ **OPMERKING:**

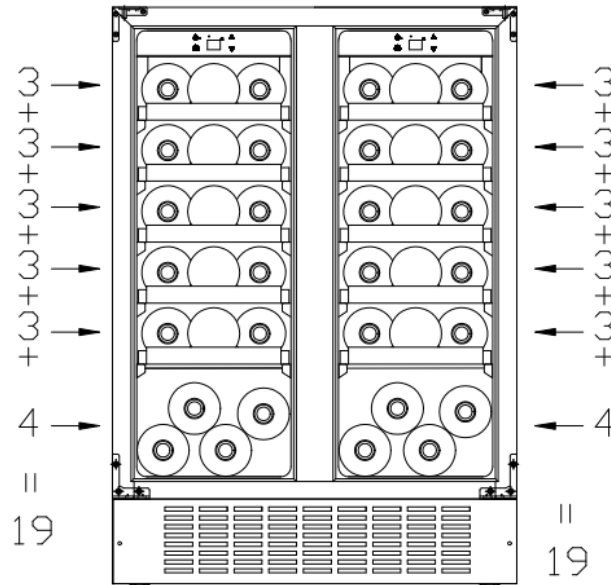
- Als het apparaat is losgekoppeld, de stroom is uitgevallen of uitgeschakeld, moet u 3 tot 5 minuten wachten voordat u het apparaat opnieuw opstart. Als u voor deze tijdsvertraging probeert opnieuw op te starten, zal de wijnkoeler/drankenkoeler niet starten.
- Wanneer u de wijnkoeler/drankenkoeler voor het eerst gebruikt of de wijnkoeler/drankenkoeler opnieuw opstart nadat deze lange tijd uitgeschakeld is geweest, kan er een paar graden verschil zijn tussen de temperatuur die u selecteert en de temperatuur die wordt aangegeven op het LCD-scherm. Dit is normaal en komt door de duur van de activeringstijd. Zodra de wijnkoeler/drankenkoeler een paar uur in werking is, is alles weer normaal.



➤ **Opslagschema**

Controleer het opslagschema op basis van de configuratie van uw product.

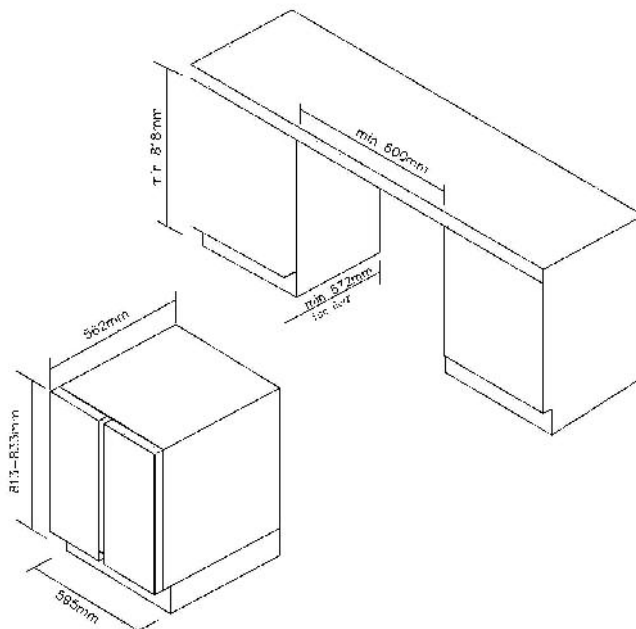
Totaal: 38 flessen (max.)



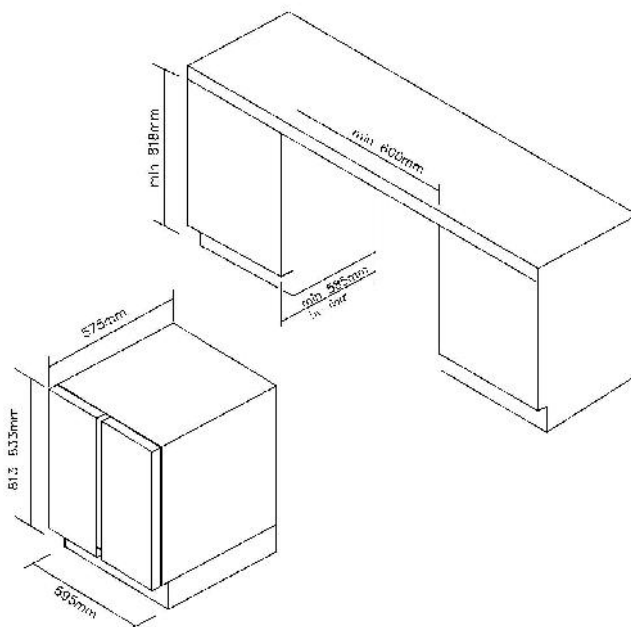
De meest energiebesparende configuratie vereist dat planken in het product worden geplaatst, zie de bovenstaande afbeeldingen.

➤ **Installatiespecificaties voor ingebouwde apparaten**

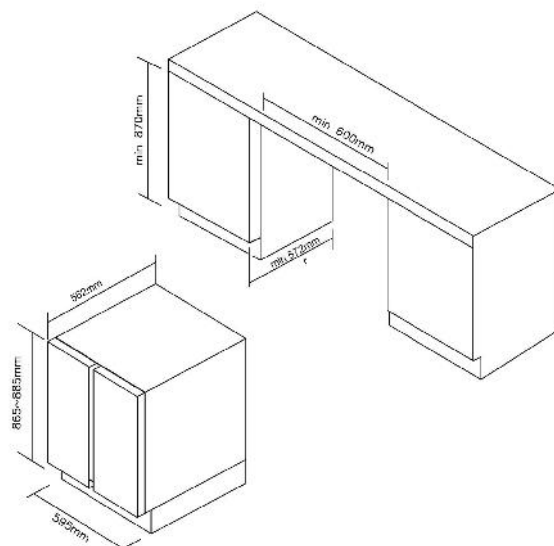
Voor hoogte 813 mm met volledig glazen / roestvrijstalen deur



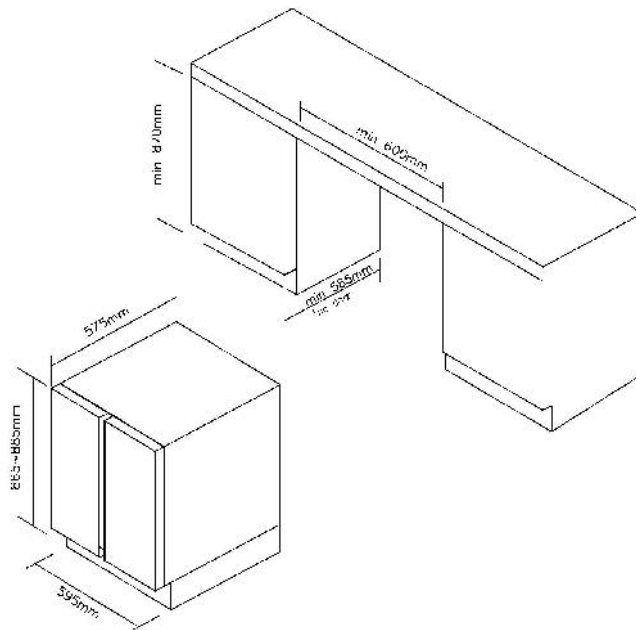
Voor hoogte 813 mm met smalle roestvrijstalen deur



Voor hoogte 865 mm met volledig glazen / roestvrijstalen deur



Voor hoogte 865 mm met smalle roestvrijstalen deur

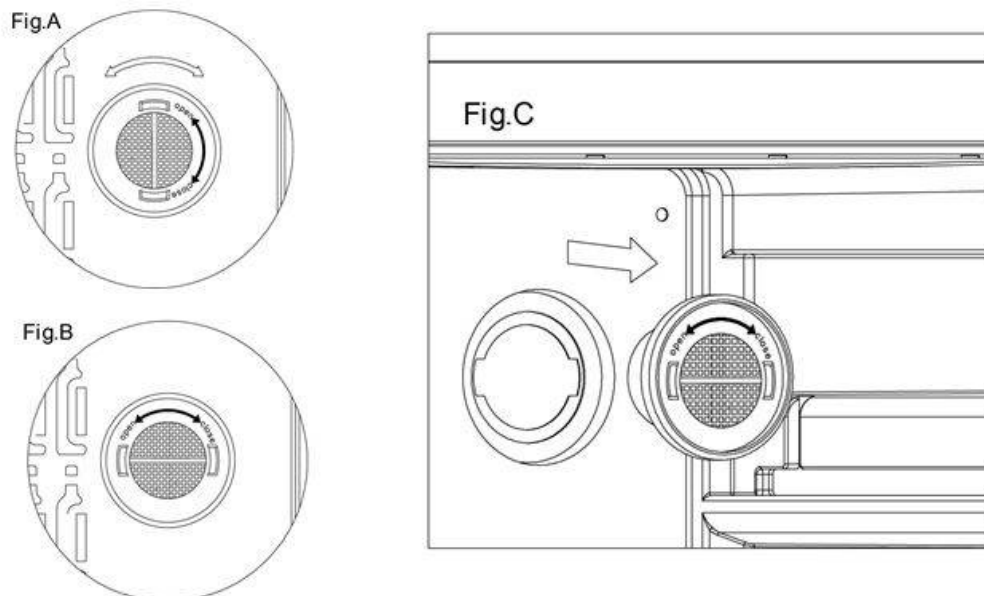


VERZORGING EN ONDERHOUD

➤ Uw wijnkoeler schoonmaken

- Schakel de stroom uit, trek de stekker uit het stopcontact en verwijder alle items, inclusief schappen en rek.
- Was de binnenste oppervlakken met een sopje van warm water en soda. De oplossing moet ongeveer 2 eetlepels soda op een kwart liter water zijn.
- Was de schappen met een mild sopje.
- Wring overtollig water uit de spons of doek bij het reinigen van het gebied van de bedieningselementen of elektrische onderdelen.
- Was de buitenkant van de kast met warm water en mild vloeibaar reinigingsmiddel. Goed afspelen en droogmaken met een schone zachte doek.

- **Het koolfilter vervangen (indien aanwezig in uw apparaat)**
 - In de linkerbovenhoek van elke wijnkastzone bevinden zich koolfilters.
 - Open de deur en verwijder de bovenste 2 schappen (zie De schappen verwijderen).
 - Draai het filter zoals op Afb. A.
 - Zoals weergegeven op Afb. B moet het filter op één lijn staan met de inkepingen.
 - Trek het filter eruit (Afb C).
 - Plaats het vervangingsfilter en draai het zoals op Afb. A om het in positie te vergrendelen.
 - Plaats de schappen terug.



- **Stroomuitval**
 - De meeste stroomstoringen worden binnen enkele uren hersteld en hebben geen invloed op de temperatuur van uw apparaat, als u het aantal keren dat de deur wordt geopend tot een minimum beperkt. Als de stroom voor langere tijd wordt uitgeschakeld, moet u de juiste maatregelen nemen om uw inhoud te beschermen.
- **Vakantieperiode**
 - **Korte vakanties:** Laat de wijnkoeler ingeschakeld tijdens vakanties van korter dan drie weken.
 - **Lange vakanties:** Als het apparaat meerdere maanden niet gebruikt gaat worden, verwijder dan alle items en schakel het apparaat uit. Maak de binnenkant grondig schoon en droog. Om geur- en schimmelgroei te voorkomen, laat u de deur op een kier: blokkeer deze indien nodig.
- **De wijnkoeler verplaatsen**
 - Verwijder alle items.
 - Zet alle losse voorwerpen (schappen) met tape stevig vast in uw apparaat.
 - Draai de stelvoet omhoog naar de basis om schade te voorkomen.
 - Plak de deur dicht met tape.
 - Zorg ervoor dat het apparaat tijdens het transport rechtop blijft staan. Bescherm ook de buitenkant van het apparaat met een deken of iets dergelijks.
- **Tips voor energiebesparing**
 - De wijnkoeler moet in het koelste gedeelte van de kamer worden geplaatst, uit de buurt van warmteproducerende apparaten en buiten direct zonlicht.

PROBLEMEN MET UW WIJNKOELER/DRANKENKOELER?

U kunt veel voorkomende problemen met wijnkoelers/drankenkoelers gemakkelijk oplossen, waardoor u de kosten van een mogelijk servicebezoek bespaart. Probeer de onderstaande suggesties om te zien of u het probleem kunt oplossen voordat u de servicemonteur belt.

PROBLEMEN OPLOSSEN

PROBLEEM	MOGELIJKE OORZAAK
Wijnkoeler/drankenkoeler werkt niet.	De stekker zit niet in het stopcontact. Het apparaat is uitgeschakeld. De stroomonderbreker is geactiveerd of zekering is gesprongen.
Wijnkoeler/drankenkoeler is niet koud genoeg.	Controleer de temperatuurinstelling. De externe omgeving kan een hogere instelling vereisen. De deur te vaak wordt geopend. De deur is niet volledig gesloten. De pakking van de deur is niet goed afgedicht.
De compressor gaat regelmatig aan en uit.	De kamertemperatuur is warmer dan normaal. Er is een grote hoeveelheid flessen in de wijnkoeler/drankenkoeler geplaatst. De deur te vaak wordt geopend. De deur is niet volledig gesloten. De temperatuurregeling is niet juist ingesteld. De pakking van de deur is niet goed afgedicht.
Het licht functioneert niet.	De stekker zit niet in het stopcontact. De stroomonderbreker is geactiveerd of zekering is gesprongen. De lamp is doorgebrand. De lichtknop is "UIT".
Trillingen.	Controleer of de wijnkoeler/drankenkoeler waterpas staat.
De wijnkoeler/drankenkoeler lijkt te veel lawaai te maken.	Het rammelende geluid kan afkomstig zijn van de stroming van het koelmiddel, dit is normaal. Aan het einde van elke cyclus kunt u gorgelende geluiden horen die worden veroorzaakt door de stroom koudemiddel in uw wijnkoeler/drankenkoeler. Het krimpen en uitzetten van de binnenwanden kan piepende en krakende geluiden veroorzaken. De wijnkoeler/drankenkoeler staat niet waterpas.
De deur sluit niet goed.	De wijnkoeler/drankenkoeler staat niet waterpas. De deur is omgedraaid en niet goed geïnstalleerd. De pakking is vuil. De schappen zitten niet goed op hun plaats.

Ga naar onze website om contact op te nemen met de technische ondersteuning:
<https://corporate.haier-europe.com/en/>. Kies onder de sectie "website" het merk van uw product en uw land. U wordt doorgestuurd naar de specifieke website waar u het telefoonnummer en formulier kunt vinden om contact op te nemen met de technische assistentie

➤ **Beschikbaarheid van reserveonderdelen**

- Thermostaten, temperatuursensoren, printplaten en lichtbronnen, voor een minimumperiode van zeven jaar nadat het laatste exemplaar van het model op de markt is gebracht;
- Deurklinken, deurscharnieren, bladen en manden voor een minimumperiode van zeven jaar en deurafdichtingen voor een minimumperiode van tien jaar, nadat het laatste exemplaar van het model op de markt is gebracht;

Aanbevolen TEMPERATUURINSTELLINGEN

Voor het bewaren VAN ALLE SOORTEN WIJN **12 °C to 14 °C**

Aanbevolen DRINKTEMPERATUUR

Champagne NV, mousserend	6 °C
Vintage champagne	10 °C
Droge witte semillon, sauvignon blanc	8 °C
Droge witte gewürztraminer, riesling	10 °C
Droge witte chardonnay	10 °C
Vintage chardonnay	14 °C
Zoete witte sauternes Monbazillac, "late oogst" ijswijn	10 °C
Zoete witte vintage sauternes	14 °C
Beaujolais	13 °C
Rode pinot noir	16 °C
Rode vintage pinot noir	18 °C
Rode cabernet, merlot, Frans, Australisch, Nieuw-Zeelands, Chileens, Argentijns, Italiaans, Spaans, Californisch	18 °C
Rode Grenache, Syrah	16 °C

Voor meer informatie over het product, raadpleeg <https://eprel.ec.europa.eu/> of scan de QR-code op het energielabel dat bij het apparaat is geleverd

Polskie

Dziękujemy za zakup tego produktu.

Przed użyciem swojej lodówki zapoznaj się uważnie z niniejszą instrukcją obsługi, aby zapewnić jej jak najlepsze działanie. Zachowaj całą dokumentację w razie potrzeby użycia jej w przyszłości lub dla kolejnych właścicieli. Produkt ten przeznaczony jest wyłącznie do użytku domowego lub podobnych zastosowań, na przykład:

- w strefie kuchennej dla personelu w sklepach, biurach oraz innych środowiskach roboczych;
- w gospodarstwach rolnych, hotelach, motelach oraz innych środowiskach typu mieszkalnego;
- w pensjonatach typu B&B;
- w ramach usług cateringowych i podobnych zastosowań niezwiązanych ze sprzedażą detaliczną.

Urządzenia tego należy używać wyłącznie do przechowywania żywności. Wszelkie inne zastosowania uważane są za niebezpieczne i producent nie będzie ponosił odpowiedzialności za jakiegokolwiek zaniedbania. Należy również mieć na uwadze warunki gwarancji.

INFORMACJE DOTYCZĄCE BEZPIECZEŃSTWA

Prosimy o uważne przeczytanie instrukcji obsługi i montażu! Zawierają one ważne informacje dotyczące instalacji, użytkowania i konserwacji urządzenia. Producent nie ponosi odpowiedzialności w przypadku nieprzestrzegania instrukcji i ostrzeżeń. Całą dokumentację należy zachować w celu skorzystania z niej w przyszłości lub dla kolejnych właścicieli.

- **Nie należy podłączać urządzenia do zasilania, dopóki wszystkie opakowania oraz elementy zabezpieczające podczas transportu nie zostaną usunięte. Należy trzymać dzieci z dala od opakowania i jego części. Niebezpieczeństwo uduszenia przez składane kartony i plastikową folię!**
- **Pozostawić urządzenie stojące przed uruchomieniem przez co najmniej 4 godziny, aby pozwolić olejowi w sprężarce ustabilizować się, jeśli urządzenie było transportowane w poziomie**
- **Po dostarczeniu produktu należy się upewnić, że nie jest on uszkodzony i że wszystkie jego części oraz akcesoria są w doskonałym stanie**
- **Nie dopuścić do uszkodzenia obwodu czynnika chłodniczego**
- **Nie zasłaniać otworów wentylacyjnych w obudowie urządzenia lub w szafce, w której je zabudowano**
- **Nigdy nie używać bezpośrednio wody do czyszczenia sprężarki, przetrzeć dokładnie suchą szmatką po wyczyszczeniu, aby uniknąć kurzu**
- **Zawsze przenoś urządzenie z pomocą co najmniej dwóch osób, ponieważ jest ono ciężkie.**
- **Zainstaluj i wypoziomuj urządzenie w miejscu odpowiednim dla jego wielkości i przeznaczenia.**
- **Upewnij się, że informacje dotyczące elektryki na tabliczce znamionowej są zgodne z parametrami zasilania. Jeśli tak nie jest, skontaktuj się z elektrykiem.**
- **Urządzenie jest zasilane prądem 220–240 V/50 Hz. Odbiegające od normy wahania napięcia mogą spowodować niewłączenie się urządzenia albo uszkodzenie regulatora temperatury lub sprężarki. Mogą też być przyczyną nietypowego hałasu podczas pracy. W**

takim przypadku powinien zostać zamontowany automatyczny regulator.

- Tylko dla Wielkiej Brytanii: Kabel zasilający urządzenie jest wyposażony we wtyczki z 3 bolcami (z uziemieniem), która pasuje do standardowego gniazda z 3 przewodami (z uziemieniem). Nigdy nie odcinaj ani nie wyjmuj trzeciego bolca (z uziemieniem). Po zainstalowaniu urządzenia powinien być dostęp do wtyczki.
- Upewnić się, że kabel zasilania sieciowego nie jest przytrzaśnięty pod urządzeniem podczas przenoszenia go lub po tego typu czynności, aby uniknąć przecięcia go lub uszkodzenia. W razie uszkodzenia przewodu zasilającego powinien on zostać wymieniony przez producenta, jego serwisanta lub inną wykwalifikowaną osobę, aby uniknąć zagrożenia
- Nie instalować urządzenia w wilgotnych, oleistych lub zakurzonych pomieszczeniach ani nie narażać go na bezpośrednie promienie słoneczne lub wodę
- Nie instalować urządzenia w pobliżu grzejników lub materiałów łatwopalnych
- DLA urządzeń z zamrażalnikiem: w przypadku awarii zasilania nie otwierać pokrywy. Zamrożona żywność nie powinna się zepsuć, jeśli awaria trwa krócej niż godziny wskazane na etykiecie (czas wzrostu temperatury). W przypadku dłuższych awarii żywność należy sprawdzić i niezwłocznie spożyć lub ugotować i ponownie zamrozić.
- Utrudnione otwieranie pokrywy urządzenia zaraz po jej zamknięciu nie świadczy o awarii. Przyczyną jest różnica ciśnień, która po kilku minutach powinna się wyrównać, umożliwiając normalne otwarcie urządzenia.
- Nie przechowuj w urządzeniu leków, bakterii lub substancji chemicznych. To urządzenie służy do użytku domowego, nie zaleca się przechowywania materiałów, które wymagają ściśle określonej temperatury.
- Nie dociskać nadmiernie ani nie zginać przewodu zasilającego i nie dotykać wtyczki mokrymi dłońmi
- Nie przechowywać w urządzeniu produktów zawierających łatwopalny gaz napędowy (np. puszki z aerozolem) lub substancji wybuchowych. Ryzyko wybuchu!
- Na lodówce nie należy umieszczać niestabilnych przedmiotów (ciężkich przedmiotów, pojemników wypełnionych wodą), aby uniknąć obrażeń ciała spowodowanych upadkiem lub porażeniem prądem elektrycznym w wyniku kontaktu z wodą.

- Nie używać urządzeń elektrycznych wewnątrz komór urządzenia do przechowywania żywności, o ile nie są to urządzenia zalecane przez producenta
- Nie dotykać wewnętrznych elementów chłodzących, zwłaszcza mokrymi rękoma, aby uniknąć uszkodzeń lub obrażeń
- Zagrożone są tutaj dzieci, osoby o ograniczonych zdolnościach fizycznych, umysłowych lub sensorycznych, a także osoby, które nie posiadają wystarczającej wiedzy na temat bezpiecznej obsługi urządzenia. Upewnij się, czy dzieci i osoby narażone na uraz zrozumiały zagrożenia. Osoba odpowiedzialna za bezpieczeństwo musi nadzorować lub poinstruować dzieci i osoby narażone na uraz, które obsługują urządzenie. Z urządzenia mogą korzystać dzieci w wieku od 8 lat.
- Nie należy zezwalać dzieciom na zabawę z urządzeniem
- Dzieci w wieku od 3 do 8 lat mogą wkładać produkty do tego urządzenia lub je z niego wyjmować
- W PRZYPADKU urządzeń z zamrażalnikiem: nie przechowuj płynów butelkowanych lub konserwowanych (zwłaszcza napojów gazowanych) w zamrażarce. Butelki i puszki mogą pęknąć!
- W PRZYPADKU urządzeń z zamrażalnikiem: nigdy nie spożywaj mrożonek bezpośrednio wyciągniętych prosto z zamrażalnika. Ryzyko poparzenia niskotemperaturowego!
- Chronić plastikowe części i uszczelkę drzwi przed olejem i smarem. W przeciwnym razie plastikowe części i uszczelka drzwi staną się porowate.
- Przed wykonaniem jakiegokolwiek czynności odłączyć kabel zasilający od gniazdka zasilającego
- Nie używać urządzeń mechanicznych ani innych środków do przyspieszania procesu rozmrażania, o ile nie są one zalecane przez producenta
- Nie używać ostrych lub szpiczastych przedmiotów, takich jak noże lub widelce, do usuwania szronu. Nigdy nie używać do rozmrażania suszarek do włosów, grzałek elektrycznych lub innych urządzeń elektrycznych
- Zaleca się utrzymywać wtyczkę w czystości. Wszelkie nadmierne pozostałości kurzu na wtyczce mogą spowodować pożar
- Nie należy próbować samodzielnie naprawiać, demontować ani modyfikować urządzenia. W przypadku konieczności naprawy prosimy o kontakt z naszym działem obsługi klienta.
- Nadzoruj dzieci podczas czyszczenia lub konserwacji urządzenia.
- Nie czyść zimnych szklanych półek gorącą wodą. Nagła zmiana temperatury może spowodować pęknięcie szkła.

- **OSTRZEŻENIE:** Rury obwodu chłodniczego przenoszą niewielką ilość przyjaznego dla środowiska, ale łatwopalnego czynnika chłodniczego (R600a) i gazu izolacyjnego (cyklopentan). Nie niszczy warstwy ozonowej i nie zwiększa efektu cieplarnianego. Wyciek czynnika chłodniczego może spowodować obrażenia oczu lub zapalenie się.
- **W razie uszkodzenia obwodu czynnika chłodniczego:**
 - Wyłącz urządzenie i wyciągnij wtyczkę z gniazdka,
 - Trzymaj otwarty ogień i/lub źródła zapłonu z dala od urządzenia,
 - Dokładnie przewietrz pomieszczenie przez kilka minut,
 - Poinformuj obsługę klienta.
- **OSTRZEŻENIE:** Nie uszkodź wtyczki ani przewodu zasilającego, ponieważ może to spowodować porażenie elektryczne lub pożar.
- **OSTRZEŻENIE:** Nie używaj wielu przenośnych gniazdek ani przenośnych zasilaczy. Odradzamy korzystanie z przedłużaczy i rozgałęźników.
- Nie próbuj siadać ani stawać na górze urządzenia. Grozi to urazami lub uszkodzeniem urządzenia. Urządzenie nie jest przystosowane do ustawiania jedno na drugim razem z innymi.
- Produkt ten jest projektowany i produkowany wyłącznie z myślą o użytku domowym
- Wolno używać tylko oryginalnych części dostarczonych przez producenta. Producent gwarantuje, że tylko te części spełniają wymogi bezpieczeństwa.
- Pozostawienie na dłużej otwartych drzwiczek może spowodować wzrost temperatury w komorach urządzenia
- Czyścić regularnie powierzchnie, które mogą mieć kontakt z żywnością i dostępnymi systemami odprowadzania wody
- Wyczyścić zbiorniki na wodę, jeśli nie były one używane przez 48 godzin; przepłukać system wodny podłączony do zasilania urządzenia, jeśli woda nie była pobierana przez 5 dni
- Umieszczać surowe mięso i ryby w odpowiednich pojemnikach w chłodziarce, aby nie miały one kontaktu z inną żywnością ani nie skapywały na nią żadne płyny
- Szuflady na zamrożoną żywność oznaczone dwoma gwiazdkami (o ile znajdują się one w urządzeniu) przeznaczone są do przechowywania wstępnie zamrożonej żywności, przechowywania lub wytwarzania lodów i kostek lodu
- Szuflady z jedną, dwoma lub trzema gwiazdkami (o ile znajdują się one w urządzeniu) nie nadają się do zamrażania świeżej żywności
- Jeśli urządzenie zostanie pozostawione puste przez dłuższy czas, należy je wyłączyć, rozmrozić, wyczyścić, wysuszyć i pozostawić drzwiczki otwarte, aby uniknąć rozwoju w urządzeniu pleśni

- **W przypadku urządzeń do przechowywania wina: Urządzenie przeznaczone wyłącznie do przechowywania wina**
- **W przypadku urządzenia wolnostojącego zamieszcza się ostrzeżenie: To urządzenie chłodnicze nie jest przeznaczone do użytku jako urządzenie do zabudowy**
- **W przypadku urządzeń bez komory czterogwiazdkowej: To urządzenie chłodnicze nie jest odpowiednie na potrzeby zamrażania środków spożywczych**

Usuwanie starych urządzeń



Urządzenie to posiada oznaczenie zgodne z dyrektywą europejską 2012/19/UE w sprawie zużytego sprzętu elektrycznego i elektronicznego (WEEE).

WEEE zawiera zarówno substancje zanieczyszczające (które mogą powodować negatywne skutki dla środowiska), jak i podstawowe komponenty (które mogą zostać ponownie użyte). Ważne jest poddawanie WEEE specyficznej obróbce, aby usuwać i prawidłowo utylizować wszelkie elementy zanieczyszczające, a także odzyskiwać i poddawać recyklingowi wszelkie możliwe materiały.

Ludzie mogą odgrywać ważną rolę w zapewnianiu, że WEEE nie stanie się problemem środowiskowym; ważne jest przestrzeganie pewnych podstawowych zasad:

- WEEE nie powinien być traktowany tak samo jak inne odpady domowe;
- WEEE powinien być przekazywany do właściwych punktów zbiórki odpadów obsługiwanych przez gminę lub zarejestrowane przedsiębiorstwa. W wielu krajach w przypadku dużych WEEE może być przewidziany odbiór bezpośrednio z posesji.

W wielu krajach, kiedy kupuje się nowe urządzenie, stare urządzenie można zwrócić sprzedawcy, który odbierze je za darmo na zasadzie „urządzenie za urządzenie”, pod warunkiem, że urządzenie jest odpowiedniego typu i posiada te same funkcje co nowy dostarczony sprzęt.

Zgodność

Poprzez umieszczenie oznaczenia **CE** na tym produkcie potwierdzamy, że urządzenie to jest zgodne ze wszelkimi dotyczącymi tego produktu obowiązującymi prawnie wymogami europejskimi w zakresie bezpieczeństwa, zdrowia i środowiska.

Gwarancji

Minimalny okres gwarancji: Kraje UE – 2 lata, Turcja – 3 lata, Wielka Brytania – rok, Rosja – rok, Szwecja – 3 lata, Serbia – 2 lata, Norwegia – 5 lat, Maroko – rok, Algieria – 6 miesięcy, Tunezja – gwarancja prawna nie jest wymagana

Oszczędzanie energii

Aby zapewnić wyższą oszczędność energii, sugerujemy:

- zainstalować urządzenie z dala od źródeł ciepła i nie wystawiać go na bezpośrednie działanie promieni słonecznych, w dobrze wentylowanym pomieszczeniu;
- unikać umieszczania w chłodziarce gorącej żywności, aby zapobiec wzrostowi temperatury zewnętrznej, a tym samym powodowaniu ciągłego działania sprężarki;
- nie wkładać nadmiernej ilości żywności, aby zapewnić prawidłową cyrkulację;
- rozmrozić urządzenie w razie pojawienia się w nim lodu w celu ułatwienia przenikania zimna;
- w razie braku energii elektrycznej zaleca się pozostawić drzwiczki chłodziarki zamknięte;
- jak najrzadziej otwierać drzwiczki urządzenia i jak najkrócej pozostawiać je otwarte;
- unikać ustawiania zbyt niskich temperatur;
- usuwać kurz z tylnej części urządzenia.

Wymienne (tylko LED) źródło światła możliwe tylko przez profesjonalistę
Ten produkt zawiera źródło światła o klasie efektywności energetycznej G.

INSTRUKCJA INSTALACJI

➤ **Przed użyciem chłodziarki do wina**

- Wyjąć uszczelkę zewnętrzną i wewnętrzną.
- Przed podłączeniem chłodziarki do wina do źródła zasilania należy pozostawić ją w pozycji pionowej na około 2 godziny. Zmniejszy to ryzyko nieprawidłowego działania układu chłodzenia w wyniku przenoszenia urządzenia podczas transportu.
- Oczyszczyć powierzchnię wnętrza letnią wodą za pomocą miękkiej ściereczki.
- Podczas utylizacji urządzenia należy wybrać miejsce utylizacji posiadające odpowiednie uprawnienia.

➤ **Instalacja chłodziarki do wina**

- Urządzenie to przeznaczone jest do instalacji wolnostojącej lub do zabudowy (pełnej) (patrz umiejscowienie naklejek na tylnej części urządzenia).
- **Urządzenie to jest przeznaczone wyłącznie do przechowywania wina lub innych napojów.**
- Ustawić chłodziarkę do wina na wystarczająco mocnej na podłodze, aby utrzymać ją po pełnym załadunku urządzenia. Aby wypoziomować chłodziarkę do wina, należy wyregulować przednią nóżkę poziomującą w dolnej części urządzenia.
- W urządzeniu tym zastosowano łatwopalny czynnik chłodzący. Należy uważać, aby nie uszkodzić rurek układu chłodzenia podczas transportu. Chłodziarkę do wina należy ustawić z dala od bezpośredniego światła słonecznego i źródeł ciepła (kuchenka, grzejnik itp.). Bezpośrednie działanie promieni słonecznych może wpływać na powłokę akrylową, a źródła ciepła mogą powodować wzrost zużycia energii elektrycznej. Ekstremalnie niskie temperatury otoczenia mogą również być przyczyną nieprawidłowego działania urządzenia.
- Unikać umieszczania urządzenia w miejscach o dużej wilgotności.
- Podłączyć chłodziarkę do przeznaczonego tylko na nią, odpowiednio uziemionego gniazdka ściennego. W żadnym wypadku nie należy przecinać ani usuwać z przewodu zasilającego trzeciego bolca uziemiającego. Wszelkie pytania dotyczące zasilania i uziemienia należy kierować do upoważnionego elektryka lub autoryzowanego centrum serwisowania produktów.

➤ **Uwaga:**

- Wino należy przechowywać w zamkniętych butelkach;
- Nie przeciążać obudowy;
- Nie otwierać drzwiczek, gdy nie jest to konieczne;
- Nie przykrywać półek folią aluminiową lub jakimkolwiek innym materiałem, który może uniemożliwić cyrkulację powietrza;
- Jeśli chłodziarka do wina nie będzie używana przez dłuższy czas, zaleca się, aby po starannym wyczyszczeniu jej pozostawić drzwiczki uchylone, aby umożliwić cyrkulację powietrza wewnątrz obudowy w celu uniknięcia powstawania skroplin, pleśni lub nieprzyjemnych zapachów.

➤ **Ograniczenia związane z temperaturą otoczenia**

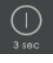



Urządzenie to jest przystosowane do pracy w temperaturach otoczenia przewidzianych przez klasę temperatury podaną na tabliczce znamionowej.

- Rozszerzona umiarkowana (SN): dodaje się ostrzeżenie: „Urządzenie chłodnicze jest przeznaczone do użytku w temperaturze otoczenia mieszczącej się w zakresie od 10 °C do 32 °C”
- Umiarkowana: dodaje się ostrzeżenie (N): „Urządzenie chłodnicze jest przeznaczone do użytku w temperaturze otoczenia mieszczącej się w zakresie od 16 °C do 32 °C”
- Subtropikalna: dodaje się ostrzeżenie (ST): „Urządzenie chłodnicze jest przeznaczone do użytku w temperaturze otoczenia mieszczącej się w zakresie od 16 °C do 38 °C”
- Tropikalna: dodaje się ostrzeżenie (T): „Urządzenie chłodnicze jest przeznaczone do użytku w temperaturze otoczenia mieszczącej się w zakresie od 16 °C do 43 °C”



OBSŁUGA CHŁODZIARKI DO WINA/CHŁODZIARKI DO NAPOJÓW I USTAWIANIE TEMPERATURY

➤ Instrukcja systemu sterowania





- **Przycisk „”**
Aby sterować włączaniem/wyłączaniem tego urządzenia (naciśnąć i przytrzymać te przyciski na około 3 sekundy).
- **Przycisk „”**
Aby sterować włączaniem/wyłączaniem oświetlenia wewnętrznego.
- **Przycisk „” – góra**
Służy do zwiększania (podgrzewania) temperatury o 1°C (1°C).
- **Przycisk „” – dół**
Służy do zmniejszania (schładzania) temperatury o 1° (1°C).
- **„0”**
La lampka sygnalizacyjna świeci się, co oznacza, że tryb chłodzenia jest aktualnie włączony.
- **„WYŚWIETLACZ”**
Wyświetla wartość zadanej temperatury.

➤ Ustawianie temperatury

Ustawić żądaną temperaturę chłodzenia, naciskając przyciski obok wskaźników „” lub „”. Każde naciśnięcie przycisków zmienia temperaturę w odstępach co 1°C.

Ustawienie temperatury można regulować w zakresie od 5°C do 18°C.

Jeśli zamierza się wyświetlić aktualną temperaturę wewnętrzną, należy nacisnąć i przytrzymać przycisk „” lub przycisk „” i przytrzymać przez 3 sekundy, po czym dioda zacznie migać i rzeczywista temperatura zostanie wyświetlona. Po zwolnieniu przycisku po 5 sekundach dioda przestanie migać, a następnie na wyświetlaczu ponownie będzie widnieć ustawiona temperatura.

Migająca dioda = temperatura w komorze

Dioda świecąca światłem stałym = ustawiona temperatura

➤ Alarm o temperaturze

Jeśli temperatura w urządzeniu jest wyższa niż 23°C, na wyświetlaczu pojawi się wskazanie „HI” i po godzinie zostanie wyemitowany sygnał alarmowy/ wygenerowany alarm. Oznacza to, że temperatura wewnątrz urządzenia jest zbyt wysoka. Jeśli temperatura wewnętrzna jest niższa niż 0°C, na wyświetlaczu pojawi się wskazanie „LO” i poza alarmem pojawi się również lampka sygnalizacyjna awarii.

➤ **Funkcja przywracania temperatury**

W przypadku przerwy w zasilaniu chłodziarka do wina może zapamiętać poprzednie ustawienia temperatury, a gdy zasilanie zostanie przywrócone, temperatura urządzenia powróci do tej, jaka była ustawiona przed wyłączeniem zasilania.

➤ **Oświetlenie wewnętrzne**

Aby zmniejszyć zużycie energii, niniejsza chłodziarka do wina automatycznie wyłączy oświetlenie LED po 10 minutach.

Jeśli oświetlenie LED ma świecić stale, jest to możliwe. Należy nacisnąć i przytrzymać przycisk oświetlenia przez 5 sekund, a na wyświetlaczu pojawi się wskazanie „LP”. Po 4 sekundach wyświetlacz powróci do normalnego stanu, a oświetlenie pozostanie włączone aż do ręcznego wyłączenia go.

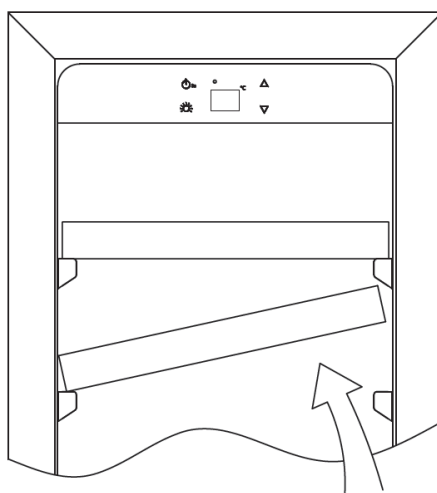
Jeśli zamierza się powrócić do trybu oszczędzania energii (zalecanego), należy nacisnąć i przytrzymać przycisk oświetlenia przez 5 sekund, a na wyświetlaczu pojawi się wskazanie „LF”. Po 4 sekundach wyświetlacz powróci do normalnego stanu, a oświetlenie wyłączy się automatycznie po 10 minutach.

➤ **Półki**

- Aby zapobiec uszkodzeniu uszczelki drzwiczek, należy upewnić się, że drzwiczki są całkowicie otwarte podczas wyjmowania półek z szyn.
- Aby ułatwić dostęp do zawartości urządzenia, należy wysunąć półki z komory do mniej więcej 1/3, choć urządzenie to zaprojektowano ze specjalnym nacięciem po obu stronach szyn, aby zapobiec wypadnięciu butelek.
- Podczas wyjmowania którejkolwiek z tych półek z szyn, aby zamontować lub wyjąć półkę, należy odchylić półkę zgodnie ze schematem i po prostu wyciągnąć lub wcisnąć półkę, aż bezpiecznie osiadzie na wspornikach.

➤ **UWAGA:**

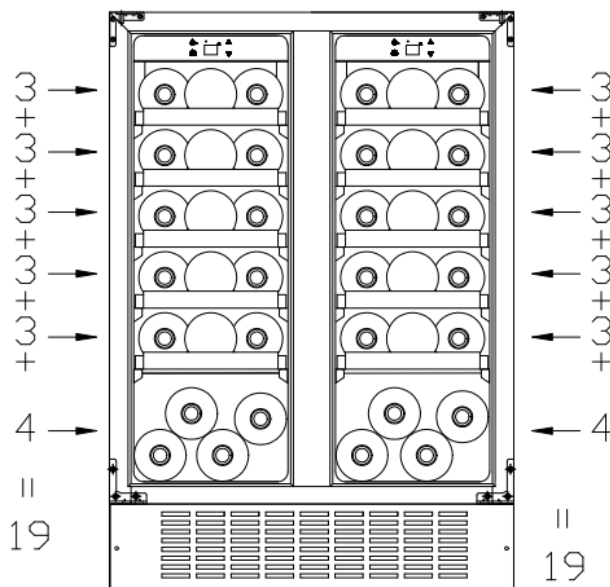
- Jeśli urządzenie zostanie odłączone od zasilania, nastąpi przerwa w dostawie zasilania lub zostanie ono wyłączone, przed ponownym uruchomieniem urządzenia należy odczekać od 3 do 5 minut. W przypadku próby ponownego uruchomienia przed przewidzianym czasem opóźnieniem chłodziarka do wina/chłodziarka do napojów nie zostanie uruchomiona.
- Przy pierwszym użyciu chłodziarki do wina/chłodziarki do napojów lub ponownym uruchomieniu chłodziarki do wina/chłodziarki do napojów po długim czasie odłączenia jej może wystąpić kilka stopni rozbieżności między wybraną temperaturą a temperaturą wskazaną na wyświetlaczu LED. Jest to normalne i wynika to z długości czasu aktywacji. Gdy chłodziarka do wina/chłodziarka do napojów będzie działać przez kilka godzin, wszystko wróci do normy.



➤ **Schemat przechowywania**

Zgodnie z rzeczywistą konfiguracją posiadanego produktu należy zapoznać się z właściwym schematem przechowywania.

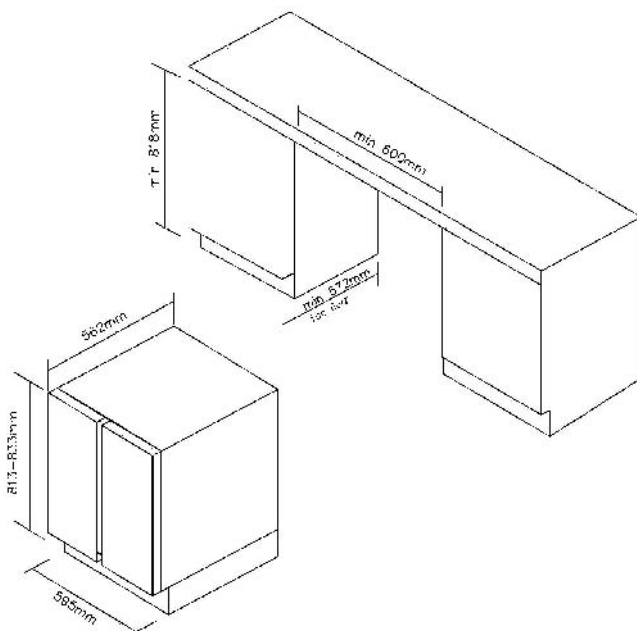
Ogółem: 38 butelek (maksymalnie)



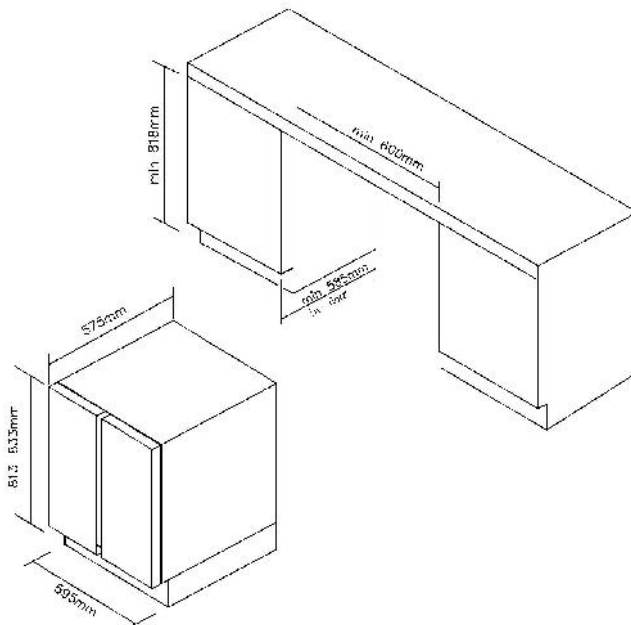
Najbardziej energooszczędna konfiguracja wymaga umieszczenia półek w produkcie, patrz powyższe rysunki.

➤ **Parametry instalacji w zabudowie**

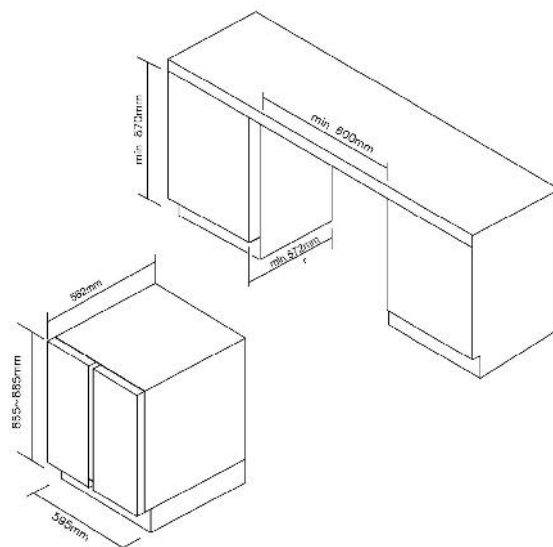
W przypadku wysokości 813 mm z drzwiami z pełnego szkła lub stali nierdzewnej



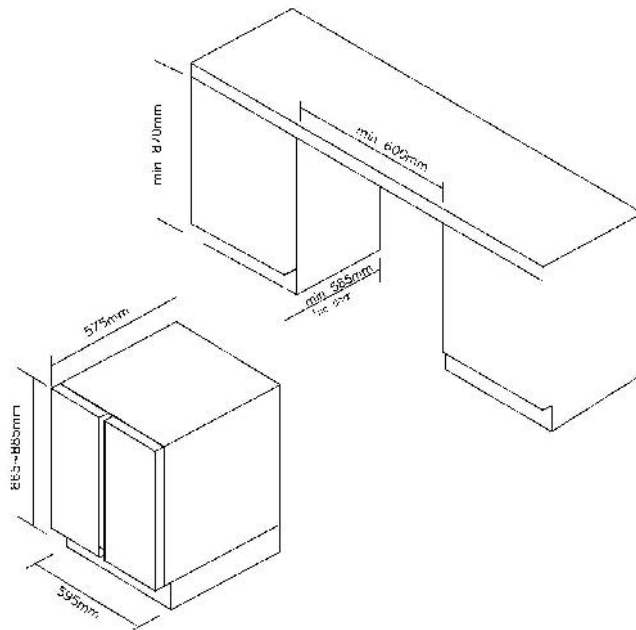
W przypadku wysokości 813 mm z wąskimi drzwiczkami ze stali nierdzewnej



W przypadku wysokości 865 mm z drzwiami z pełnego szkła lub stali nierdzewnej



W przypadku wysokości 865 mm z wąskimi drzwiczkami ze stali nierdzewnej



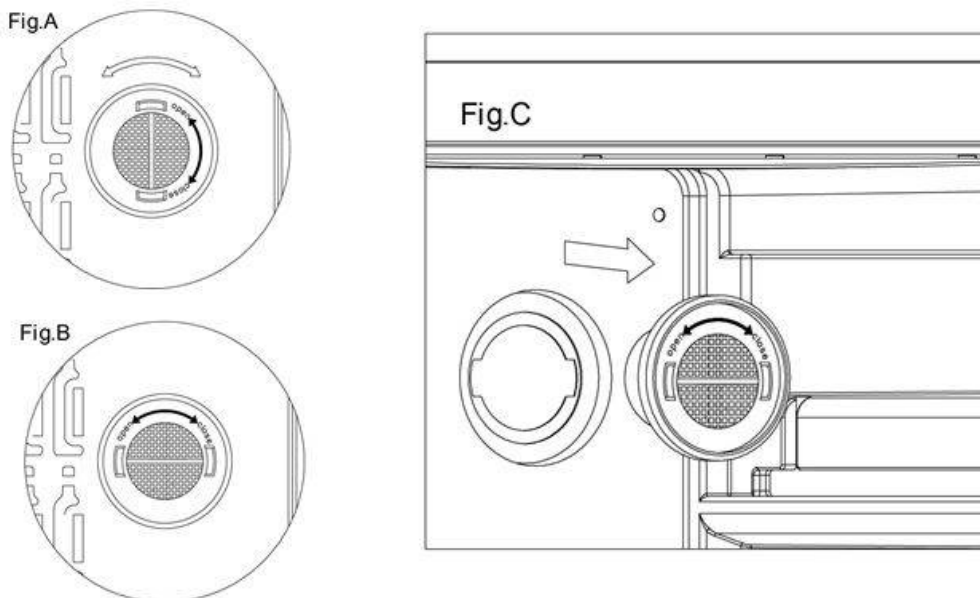
CZYSZCZENIE I KONSERWACJA

➤ **Czyszczenie chłodziarki do wina**

- Wyłączyć zasilanie, odłączyć urządzenie i wyjąć wszystkie elementy, w tym półki i stojak.
- Wyczyścić powierzchnie wewnętrzne ciepłą wodą i roztworem sody oczyszczonej. W litrze wody wymieszać 2 stołowe łyżki sody oczyszczonej.
- Umyć półki łagodnym roztworem detergentu.
- Usunąć nadmiar wody z gąbki lub ściereczki podczas czyszczenia obszaru elementów sterowania lub jakichkolwiek części elektrycznych.
- Umyć zewnętrzną obudowę ciepłą wodą i łagodnym płynnym detergentem. Dobrze spłukać i wytrzeć do sucha czystą miękką szmatką.

➤ **Wymiana filtra węglowego (jeśli występuje w urządzeniu)**

- Filtry węglowe RCharcoal znajdują się w lewym górnym rogu każdej strefy chłodziarki do wina.
- Otworzyć drzwiczki i wyjąć 2 górne półki (patrz wyjmowanie półek).
- Obrócić filtr zgodnie z Rys. A.
- Zgodnie z Rys. B filtr powinien być wyrównany z nacięciami, jak pokazano na rysunku.
- Wyciągnąć filtr (Rys. C).
- Włożyć nowy filtr i przekręcić zgodnie z Rys. A, aby zablokować go na swoim miejscu.
- Zamontować półki na miejscu.



➤ **Awaria zasilania**

- Większość awarii zasilania jest korygowana w ciągu kilku godzin i nie powinna wpływać na temperaturę urządzenia, jeśli liczba otwarcia drzwiczek zostanie ograniczona do minimum. Jeśli zasilanie zostanie wyłączone na dłuższy czas, należy podjąć odpowiednie kroki w celu zabezpieczenia zawartości urządzenia.

➤ **Czas wakacji**

- **Krótką nieobecność:** Podczas nieobecności trwającej krócej niż trzy tygodnie należy pozostawić chłodziarkę do wina działającą.
- **Długą nieobecność:** Jeśli urządzenie nie będzie używane przez kilka miesięcy, należy wyjąć wszystkie elementy i wyłączyć urządzenie. Wyczyścić i wysuszyć porządnie wnętrze. Aby zapobiec powstawaniu nieprzyjemnych zapachów i rozwojowi pleśni, należy pozostawić drzwiczki lekko otwarte: w razie potrzeby zablokować je.

➤ **Przemieszczenie chłodziarki do wina**

- Wyjąć wszystkie elementy.
- Zabezpieczyć wszystkie luźne przedmioty (półki) wewnątrz urządzenia.
- Obróć regulowaną nogę w górę, do podstawy, aby uniknąć uszkodzenia.
- Zakleić drzwiczki taśmą.
- Upewnić się, że urządzenie pozostaje bezpiecznie w pozycji pionowej podczas transportu. Zabezpieczyć urządzenie również na zewnątrz, kocem lub podobnym elementem.

➤ **Wskazówki dotyczące oszczędzania energii**

- Chłodziarka do wina powinna znajdować się w najchłodniejszej części pomieszczenia, z dala od urządzeń wytwarzających ciepło i z dala od bezpośredniego światła słonecznego.

PROBLEMY Z CHŁODZIARKĄ DO WINA/CHŁODZIARKĄ DO NAPOJÓW?

Można łatwo rozwiązać wiele typowych problemów z chłodziarką do wina/chłodziarką do napojów, oszczędzając koszty ponoszone za ewentualne wezwanie serwisu. Spróbować wykonać poniższe czynności, aby sprawdzić, czy można rozwiązać problem przed wezwaniem serwisanta.

ROZWIĄZYWANIE PROBLEMÓW

PROBLEM	MOŻLIWA PRZYCZYNA
Chłodziarka do wina/chłodziarka do napojów nie działa.	Niewłażona wtyczka do gniazdka. Urządzenie jest wyłączone. Zadziałał wyłącznik główny lub przepalił się bezpiecznik.
Chłodziarka do wina/chłodziarka do napojów nie jest wystarczająco zimna.	Sprawdzić ustawienie temperatury. Otoczenie zewnętrzne może wymagać ustawienia innej temperatury. Drzwiczki są otwierane zbyt często. Drzwiczki nie są całkowicie zamknięte. Uszczelka drzwiczek nie uszczelnia prawidłowo.
Często się włącza i wyłącza.	Temperatura w pomieszczeniu jest wyższa niż zwykle. Dodano do chłodziarki do wina/chłodziarki do napojów dużo napojów. Drzwiczki są otwierane zbyt często. Drzwiczki nie są całkowicie zamknięte. Kontrola temperatury nie jest ustawiona prawidłowo. Uszczelka drzwiczek nie uszczelnia prawidłowo.
Oświetlenie nie działa.	Niewłażona wtyczka do gniazdka. Zadziałał wyłącznik główny lub przepalił się bezpiecznik. Żarówka spaliła się. Przycisk oświetlenia jest wyłączony.
Wibracje.	Sprawdzić, czy chłodziarka do wina/chłodziarka do napojów jest wypoziomowana.
Chłodziarka do wina/chłodziarka do napojów wydaje się działać zbyt głośno.	Grzechotanie może być spowodowane przepływem czynnika chłodniczego, co jest normalne. Po zakończeniu każdego cyklu można usłyszeć odgłosy bulgotania spowodowane przepływem czynnika chłodniczego w chłodziarce do wina/chłodziarce do napojów. Kurczenie i rozprężanie się ścianek wewnętrznych może być źródłem odgłosu trzaskania. Chłodziarka do wina/chłodziarka do napojów nie jest wypoziomowana.
Drzwiczki nie zamykają się prawidłowo.	Chłodziarka do wina/chłodziarka do napojów nie jest wypoziomowana. Drzwiczki zostały odwrócone i nieprawidłowo zamontowane. Uszczelka jest brudna. Półki nie znajdują się na swoim miejscu.

Aby skontaktować się z pomocą techniczną, odwiedź naszą stronę internetową: <https://corporate.haier-europe.com/en/>. W sekcji „website” wybierz markę swojego produktu i swój kraj. Zostaniesz przekierowany na konkretną stronę internetową, na której znajdziesz numer telefonu i formularz do kontaktu z pomocą techniczną

➤ **Dostępność części zamiennych**

- Termostaty, czujniki temperatury, płytki obwodów drukowanych przez okres co najmniej siedmiu lat od wprowadzenia do obrotu ostatniego egzemplarza danego modelu
- Klamki, zawiasy do drzwi, tace i koszyki przez okres co najmniej siedmiu lat oraz uszczelki drzwiowe przez okres co najmniej 10 lat od wprowadzenia do obrotu ostatniego egzemplarza danego modelu

Zalecane USTAWIENIA temperatury

Do przechowywania WSZYSTKICH RODZAJÓW WIN 12 °C to 14 °C

Zalecana temperatura PICIA

Szampan NV, musujący	6 °C
Szampan Vintage	10 °C
Wytrawne białe wino Semilion, Sauvignon Blanc	8 °C
Wytrawne białe wino Gewürztraminer, Riesling	10 °C
Wytrawne białe wino Chardonnay	10 °C
Chardonnay Vintage	14 °C
Słodkie białe wino Sauternes Monbazillac, wino lodowe z późnych zbiorów	10 °C
Słodkie, białe wino Sauternes Vintage	14 °C
Beaujolais	13 °C
Czerwone wino Pinot Noir	16 °C
Czerwone wino Pinot Noir Vintage	18 °C
Czerwone wino Cabernet, Merlot, francuskie, australijskie, nowozelandzkie, chilijskie, argentyńskie, włoskie, hiszpańskie, kalifornijskie	18 °C
Czerwone wino Grenache Syrah	16 °C

Więcej informacji na temat produktu można znaleźć na stronie <https://eprel.ec.europa.eu/> lub zeskanować QR na etykiecie energetycznej dostarczonej z urządzeniem

Português

Obrigado por comprar este produto.

Antes de usar o seu frigorífico, leia atentamente este manual de instruções para maximizar o seu desempenho. Guarde toda a documentação para uso futuro ou outros proprietários. Este produto destina-se exclusivamente a uso doméstico ou para aplicações similares, tais como:

- Área de cozinha para pessoal em lojas, escritórios e outros ambientes de trabalho
- Em quintas, para clientes de hotéis, motéis e outros ambientes do tipo residencial
- como B&Bs (cama e pequeno-almoço)
- Para serviços de catering e aplicações similares, e não para venda por retalho.

Este eletrodoméstico deve ser usado apenas para fins de armazenamento de alimentos, sendo qualquer outro uso considerado perigoso. O fabricante não será responsável por incumprimentos. Além disso, é recomendável que consulte as condições de garantia.

INFORMAÇÃO DE SEGURANÇA

Leia atentamente as instruções de operação e instalação! Estas contêm informações importantes sobre como instalar, usar e fazer a manutenção do eletrodoméstico. O fabricante não é responsável se não cumprir as instruções e avisos. Guarde todos os documentos para uso subsequente ou para o próximo proprietário.

- **Não ligue o aparelho à alimentação de energia até que todas as proteções de embalagem e de transporte tenham sido removidas. Mantenha as crianças afastadas da embalagem e das suas peças. Perigo de sufocação devido a caixas de cartão dobráveis e a película plástica!**
- **Deixe repousar , no mínimo, 4 horas antes de ligar para permitir que o óleo do compressor assente se transportado horizontalmente**
- **Na entrega, verifique se o produto não está danificado e se todas as peças e acessórios estão em perfeitas condições**
- **Não danificar o circuito do refrigerante**
- **Mantenha as aberturas de ventilação na caixa do eletrodoméstico ou na estrutura embutida, livre de obstruções**
- **Nunca use água na posição do compressor, limpe-o cuidadosamente com um pano seco depois da limpeza para evitar ferrugem**
- **Manuseie o aparelho sempre com pelo menos duas pessoas porque é pesado.**
- **Instale e nivele o aparelho numa área adequada para o seu tamanho e utilização.**
- **Certifique-se de que as informações elétricas na placa de classificação correspondem à fonte de alimentação. Se não, entre em contato com um electricista.**
- **O aparelho é operado por uma fonte de alimentação de 220-240 VAC/50 Hz. Uma flutuação da tensão anormal pode fazer com que o aparelho não ligue ou danifique o controlo da temperatura ou o compressor, ou pode haver um ruído anormal durante o funcionamento. Nesse caso, deve ser montado um regulador automático.**

- **Apenas para o Reino Unido: O cabo de alimentação do aparelho está equipado com uma ficha de 3 cabos (terra) que se encaixa numa tomada standard de 3 cabos (ligada à terra). Nunca corte ou desmonte o terceiro pino (terra). Após a instalação do aparelho, a tomada deve ficar acessível.**
- **Certifique-se de que o cabo de alimentação não fica preso debaixo do aparelho durante e depois de transportar/mover o aparelho, para evitar que o cabo seja cortado ou danificado. Se o cabo de alimentação estiver danificado, deve ser substituído pelo fabricante, pelo seu agente de serviço ou por pessoa qualificada, para evitar perigo**
- **Não instale o eletrodoméstico em locais húmidos, oleosos ou empoeirados, nem o exponha à luz solar direta e à água**
- **Não instale o eletrodoméstico próximo de aquecedores ou de materiais inflamáveis**
- **Não armazene produtos que contenham propulsor inflamável (por ex. latas de sprays) ou substâncias explosivas no aparelho. Risco de explosão!**
- **Não armazene produtos que contenham propulsor inflamável (por ex. latas de sprays) ou substâncias explosivas no aparelho. Risco de explosão!**
- **Não armazene produtos que contenham propulsor inflamável (por ex. latas de sprays) ou substâncias explosivas no aparelho. Risco de explosão!**
- **Não puxe ou dobre excessivamente o cabo de alimentação ou toque a ficha com as mãos molhadas**
- **Não armazene produtos que contenham propulsor inflamável (por ex. latas de sprays) ou substâncias explosivas no aparelho. Risco de explosão!**
- **Não coloque artigos instáveis (objetos pesados, recipientes cheios de água) em cima do frigorífico, para evitar lesões pessoais causadas por queda ou choque elétrico causado pelo contato com a água.**
- **Não usar aparelhos elétricos dentro dos compartimentos de armazenamento de alimentos do aparelho, exceto se forem do tipo recomendado pelo fabricante**
- **Não toque nos elementos de refrigeração internos, especialmente com as mãos molhadas, para evitar rachas ou ferimentos**
- **Correm maior risco as crianças, pessoas com capacidades físicas, mentais ou sensoriais limitadas, bem como pessoas que têm conhecimento inadequado sobre a operação segura do aparelho. Verifique se as crianças e as pessoas vulneráveis compreenderam os riscos. Uma pessoa responsável pela segurança deve fiscalizar ou**

instruir as crianças e pessoas vulneráveis que estão a utilizar o aparelho. Apenas crianças com idade igual ou superior a 8 anos podem utilizar o aparelho.

- **As crianças não devem brincar com o eletrodoméstico**
- **Crianças com idades entre os 3 e os 8 anos não podem carregar e descarregar o aparelho**
- **PARA aparelhos com um congelador: não armazene líquidos engarrafados ou enlatados (especialmente bebidas gaseificadas) no congelador. As garrafas e latas podem explodir!**
- **PARA aparelhos com um congelador: nunca coloque alimentos congelados, diretamente do compartimento do congelador, na boca. Risco de queimaduras de baixa temperatura!**
- **Mantenha as peças plásticas e o vedante da porta isentos de óleo e gordura. Caso contrário, as peças plásticas e o vedante da porta tornar-se-ão porosas.**
- **Antes de realizar qualquer operação, desligue o cabo de alimentação da tomada elétrica**
- **Não usar dispositivos mecânicos ou outros meios para acelerar o processo de descongelação, além dos recomendados pelo fabricante**
- **Não use objetos pontiagudos ou com arestas afiadas, como facas ou garfos, para remover o gelo. Nunca use secadores de cabelo, aquecedores elétricos ou outros aparelhos elétricos para descongelar**
- **Recomenda-se manter a ficha limpa, pois quaisquer resíduos de poeira excessivos na tomada pode provocar fogo**
- **Não tente reparar, desmontar ou modificar o aparelho sozinho. Em caso de reparação, entre sempre em contato com a nossa assistência ao cliente.**
- **Supervisione as crianças enquanto o aparelho estiver a ser limpo ou mantido.**
- **Não lave prateleiras de vidro frias com água quente. A mudança súbita de temperatura pode fazer com que o vidro se quebre.**
- **AVISO: Os tubos do circuito de refrigeração transmitem uma pequena quantidade de um refrigerante ecológico mas inflamável (R600a) e gás isolante (ciclopentano). Não danifica a camada de ozono e não aumenta o efeito estufa. Se ocorrer derrame de refrigerante, pode ferir os olhos ou inflamar.**
- **Caso o circuito refrigerante esteja danificado:**
 - **Desligue o aparelho e retire a ficha elétrica,**
 - **Mantenha as chamas nuas e/ou as fontes de ignição afastadas do aparelho**
 - **Ventile muito bem a sala durante vários minutos**

- Informe a assistência ao cliente.
- **AVISO:** Não danifique a ficha e/ou o cabo de alimentação; isso pode causar choques elétricos ou incêndios.
- **AVISO:** Não use tomadas múltiplas portáteis ou fontes de alimentação portáteis. Não recomendamos a utilização de extensões e adaptadores.
- Não se sente nem se ponha de pé em cima do aparelho. Pode magoar-se ou danificar o aparelho. Este aparelho não foi concebido para ser empilhado com qualquer outro aparelho.
- O produto foi desenhado e construído apenas para uso doméstico
- Só podem ser utilizadas peças originais fornecidas pelo fabricante. O fabricante garante que apenas estas peças satisfazem os requisitos de segurança.
- Abrir a porta durante longos períodos pode causar um aumento significativo da temperatura nos compartimentos do aparelho
- Limpar regularmente as superfícies que possam entrar em contacto com alimentos e sistemas de drenagem acessíveis
- Tanques de água limpa, se não forem utilizados durante 48h; lave o sistema de água ligado ao fornecimento de água se a água não for extraída durante 5 dias
- Guardar carne e peixe crus em recipientes adequados no congelador, que não fiquem em contacto ou pinguem sobre outros alimentos
- Os compartimentos de alimentos congelados de duas estrelas (se apresentados no aparelho) são adequados para armazenar alimentos pré-congelados, armazenar ou fazer gelados e cubos de gelo
- Os compartimentos de uma, duas e três estrelas (se apresentados no aparelho) não são adequados para congelar alimentos frescos
- Se o aparelho ficar vazio durante longos períodos, deve desligar, descongelar, limpar, secar o mesmo e deixar a porta aberta para evitar o desenvolvimento do bolor no interior
- No caso dos aparelhos de armazenagem de vinhos: Este aparelho destina-se exclusivamente à armazenagem de vinhos
- No caso dos aparelhos de instalação livre: Este aparelho de refrigeração não se destina a ser utilizado como aparelho encastrável
- No caso dos aparelhos sem compartimento de quatro estrelas: Este aparelho de refrigeração não é adequado para congelar géneros alimentícios

Desmantelamento de um aparelhos antigos



Este equipamento está marcado em conformidade com a Diretiva Europeia 2012/19/UE sobre Resíduos Elétricos e Equipamento Eletrónico (REEE).


O REEE contém substâncias poluentes (que podem ser perigosas para o meio ambiente) e componentes básicos (que podem ser reutilizados). É importante que os REEE sejam submetidos a tratamentos específicos, para remover e eliminar adequadamente todos os poluentes e recuperar e reciclar todos os materiais.

As pessoas desempenham um papel importante para garantir que os REEE não representam um problema ambiental; para isso, é essencial que sejam cumpridas algumas regras básicas:

- Os REEE não devem ser tratados como lixo doméstico;
- Os REEE devem ser entregues nos pontos de recolha adequados administrados pelo município ou por empresas registadas. Em muitos países, para grandes REEE, pode estar disponível recolha doméstica.

Em muitos países, quando é comprado um aparelho novo, o antigo pode ser devolvido ao retalhista, que deve proceder à recolha gratuitamente, desde que o equipamento seja de tipo equivalente e tenha as mesmas funções do equipamento fornecido.

Conformidade

Ao colocar a marca  neste produto, confirmamos a sua conformidade com todos os requisitos Europeus de segurança, saúde e ambientais que são mencionados na legislação aplicável para este produto.

Garantia

A garantia mínima é: 2 anos para os países da UE, 3 anos para a Turquia, 1 ano para o Reino Unido, 1 ano para a Rússia, 3 anos para a Suécia, 2 anos para a Sérvia, 5 anos para a Noruega, 1 ano para Marrocos, 6 meses para a Argélia, Tunísia nenhuma garantia legal necessária.

Poupança de energia

Para maiores poupanças energéticas sugerimos:

- Instalar o eletrodoméstico afastado de fontes de calor e não exposto à luz solar direta e numa sala bem ventilada.
- Evitar colocar alimentos quentes no frigorífico para evitar o aumento da temperatura interna e, assim, causar o funcionamento contínuo do compressor.
- Não envolver excessivamente os alimentos de modo a garantir uma circulação adequada do ar.
- Descongelar o eletrodoméstico em caso de haver gelo para facilitar a transferência de frio.
- No caso de falha de energia elétrica, é aconselhável manter a porta do frigorífico fechada.
- Abrir ou manter as portas do eletrodoméstico abertas o mínimo possível
- Evitar ajustar as definições para temperaturas muito frias.
- Limpar o pó presente na parte traseira do aparelho

Fonte de luz (apenas LED) substituível por um profissional
Este produto contém uma fonte de luz com classe de eficiência energética G.

INSTRUÇÕES PARA A INSTALAÇÃO

➤ **Antes de usar o refrigerador de vinho**

- Remova a embalagem exterior e interior.
- Antes de ligar o refrigerador de vinho à fonte de alimentação, deixe-o em pé durante aproximadamente 2 horas. Isto reduzirá a possibilidade de mau funcionamento no sistema de refrigeração devido ao manuseamento durante o transporte.
- Limpe a superfície interior com água morna usando um pano macio.
- Ao eliminar o seu aparelho, escolha um local de eliminação autorizado.

➤ **Instalação do seu refrigerador de vinho**

- Este aparelho foi desenhado para ser instalado de forma independente ou encastrado (totalmente encastrado). (Consulte a etiqueta na parte de trás deste aparelho).
- **Este aparelho destina-se exclusivamente para armazenamento de vinho ou bebidas.**
- Coloque o seu refrigerador de vinho sobre um piso suficientemente forte para suportar o seu peso quando estiver totalmente carregado. Para nivelar o seu refrigerador de vinho, ajuste as perna de nivelamento frontais na parte inferior do refrigerador de vinho.
- Este aparelho usa refrigerante inflamável. Por este motivo, não danifique a tubagem de refrigeração durante o seu transporte. Coloque o refrigerador de vinho afastado da luz solar direta e de fontes de calor (fogão, aquecedor, radiador, etc.). A luz solar direta pode afetar o revestimento acrílico e as fontes de calor podem aumentar o consumo elétrico. Temperaturas ambiente extremamente frias também podem comprometer o adequado funcionamento da unidade.
- Evite colocar a unidade em áreas húmidas.
- Ligue o refrigerador de vinho a uma tomada mural exclusiva e devidamente instalada. Não corte ou remova, em circunstância alguma, o terceiro pino de terra do cabo de alimentação. Para qualquer dúvida sobre energia e/ou ligação à terra deve contactar um electricista certificado ou um centro de serviços autorizado.

➤ **Atenção**

- Armazene vinho em garrafas seladas;
- Não sobrecarregue o armário;
- Não abra a porta, exceto quando necessário;
- Não cubra as prateleiras com folha de alumínio ou qualquer outro material de prateleira que possa impedir a circulação do ar;
- Caso o refrigerador de vinho seja armazenado sem ser utilizado durante longos períodos, recomenda-se, após uma limpeza cuidadosa, deixar a porta entreaberta para permitir que o ar circule dentro do armário, para evitar possíveis formações de condensação, mofo ou odores.

➤ **Limites de temperatura ambiente**





Este aparelho foi desenhado para funcionar em temperaturas ambiente especificadas para a sua classe de temperatura assinalada na chapa de características.

- Temperada alargada (SN): «Este aparelho de refrigeração destina-se a ser utilizado a temperaturas ambientes compreendidas entre 10 °C e 32 °C»
- Temperada (N): «Este aparelho de refrigeração destina-se a ser utilizado a temperaturas ambientes compreendidas entre 16 °C e 32 °C»
- Subtropical (ST): «Este aparelho de refrigeração destina-se a ser utilizado a temperaturas ambientes compreendidas entre 16 °C e 38 °C»
- Tropical (T): «Este aparelho de refrigeração destina-se a ser utilizado a temperaturas ambientes compreendidas entre 16 °C e 43 °C»



OPERAR O SEU REFRIGERADOR DE VINHO/REFRIGERADOR DE BEBIDAS E DEFINIR O CONTROLO DE TEMPERATURA

➤ Instruções do sistema de controlo





- Tecla “  ”
Para controlar este aparelho, ligue/desligue (mantenha premidas estas teclas durante cerca de 3 segundos).
- Tecla “  ”
Para controlar a luz interior, ligue/desligue.
- Tecla “  ” UP
Usada para aumentar (mais quente) a temperatura em 1 °F (1 °C).
- Tecla “  ” DOWN
Usada para diminuir (mais frio) a temperatura em 1 °F (1 °C).
- “o”
A luz indicadora acende-se para indicar que o modo de arrefecimento está atualmente a funcionar.
- “DISPLAY”
Para mostrar a temperatura definida.

➤ Configuração dos Controlos de Temperatura

Defina a temperatura de refrigeração pretendida pressionando as teclas ao lado dos indicadores “  ” ou “  ” Cada pressão das teclas percorre as configurações de temperatura disponíveis em incrementos de 1°C.

A configuração de temperatura pode ser ajustada de 5°C a 18°C.

Para ver todas as temperaturas reais interiores, mantenha premida a tecla “  ” ou a tecla “  ” durante 3 segundos, o LED pisca e exibe a temperatura real. Ao parar de pressionar a tecla durante 5 segundos, o valor do LED deixa de piscar e volta para exibir a temperatura definida.

LED intermitente = temperatura do armário

LED constante = Definir temperatura

➤ Alarme da temperatura

Se a temperatura interior for superior a 23 °C, será exibido "HI" no visor do painel, e após uma hora acionado um alarme / campainha com som . Isso indica que a temperatura no interior é muito alta. Se a temperatura no interior for inferior a 0 °C, será exibido "LO" no visor do painel e ao mesmo tempo também o alarme de indicação de avaria é ativado.

➤ **Função de recuperação de temperatura**

No caso de uma interrupção de energia, o refrigerador de vinho pode recordar as configurações de temperatura anteriores e, quando a energia volta, a temperatura do refrigerador volta para a configuração anterior à interrupção de energia.

➤ **Luz interior**

Para reduzir o consumo de energia, este armário desliga automaticamente as luzes LED após 10 minutos.

No entanto, é possível manter a luz LED acesa continuamente. Mantenha pressionada a tecla "LIGHT" durante 5 segundos até o visor mostrar "LP". Após 4 segundos, o visor volta ao normal e a luz permanece acesa até ser desligada manualmente.

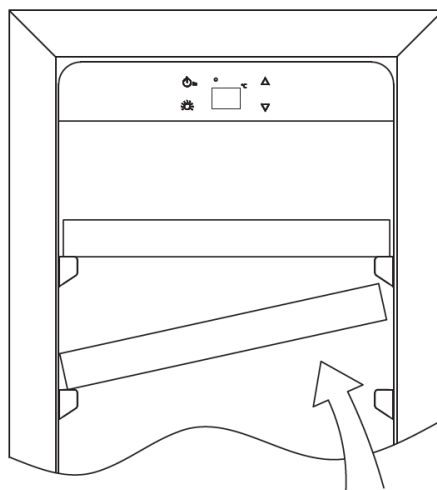
Se quiser reverter e poupar energia (recomendado), mantenha pressionada a tecla "LIGHT" durante 5 segundos, até o visor mostrar "LF". Após 4 segundos, o visor volta ao normal, sendo a luz automaticamente desligada após 10 minutos.

➤ **Prateleiras**

- Para evitar danificar a junta da porta, certifique-se que a porta está totalmente aberta quando puxar as prateleiras para fora da calha.
- Para facilitar o acesso ao conteúdo armazenado, deve puxar as prateleiras aproximadamente 1/3 para fora da calha; no entanto, esta unidade foi desenhada com um entalhe em cada lado das calhas da prateleira para evitar que as garrafas caiam.
- Ao remover qualquer uma dessas prateleiras da calha, para encaixar ou remover a prateleira, incline a prateleira de acordo com o esquema e puxe ou empurre a prateleira até ficar encaixada nos suportes em segurança.

➤ **NOTA:**

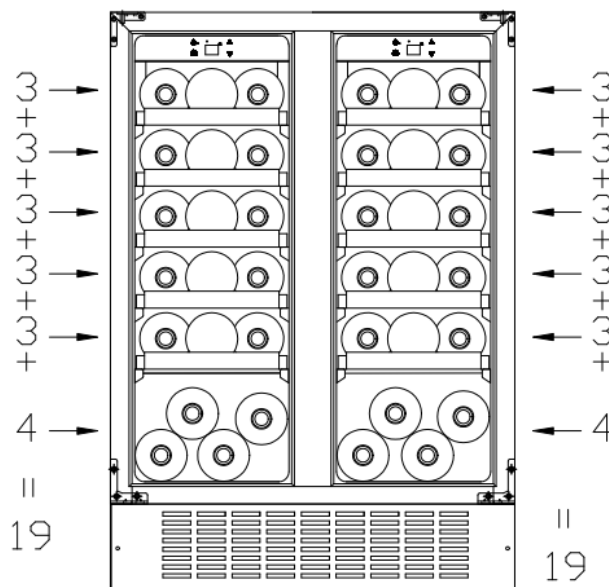
- Se a unidade estiver desligada, sem energia ou desligada, deve aguardar de 3 a 5 minutos antes de reiniciar a unidade. Se tentar reiniciar antes deste atraso de tempo, o refrigerador de vinho / refrigerador de bebidas não arranca.
- Quando usa o refrigerador de vinho/refrigerador de bebidas pela primeira vez ou reinicia o refrigerador de vinho/refrigerador de bebidas depois de ter estado desligado durante um longo período de tempo, pode haver uma variação de alguns graus entre a temperatura selecionada e a indicada na leitura do LED. Esta diferença é normal, e deve-se período do tempo de ativação. Depois do refrigerador de vinho/refrigerador de bebidas estar a funcionar há algumas horas, voltará ao normal.



➤ **Esquema de armazenamento**

De acordo com a configuração real do seu produto, verifique o esquema de armazenamento respectivo.

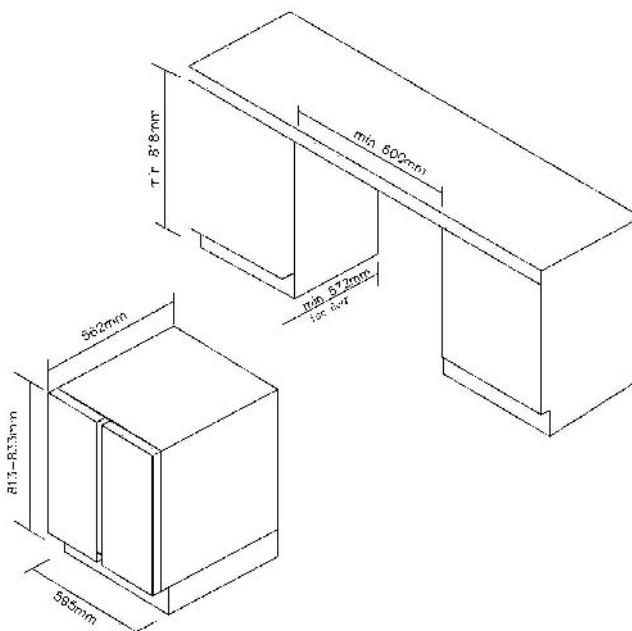
Total: 38 garrafas (Máx.)



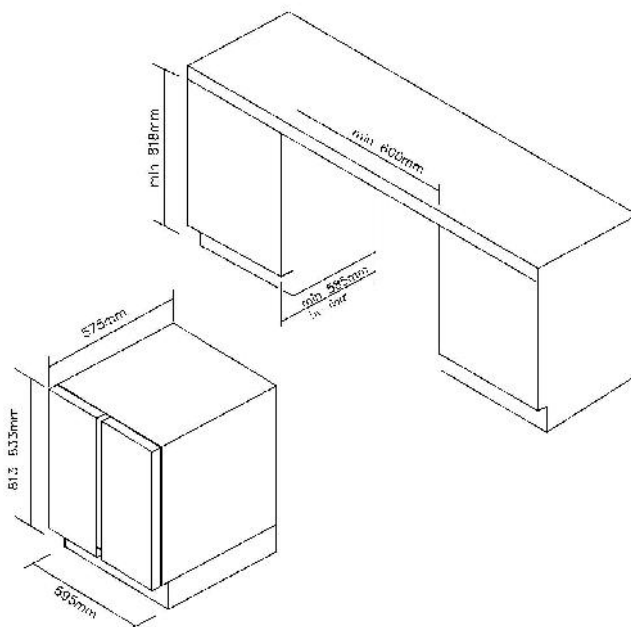
A configuração mais energeticamente eficiente requer e as prateleiras estejam dentro do frigorífico. Consulte as imagens acima.

➤ **Especificações de instalação para encastrar aparelho**

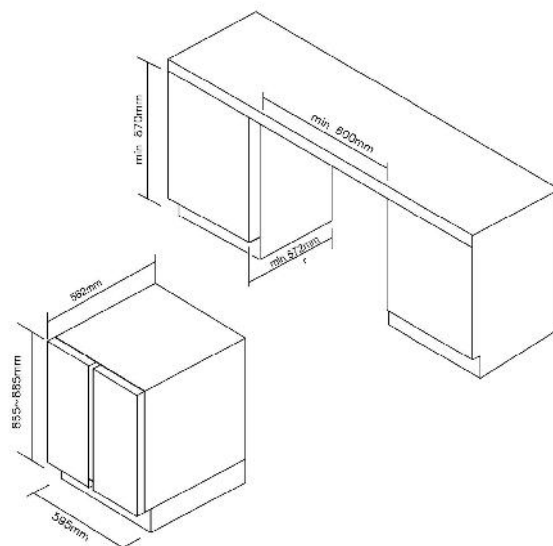
Para altura 813 mm com porta totalmente em vidro ou aço inoxidável



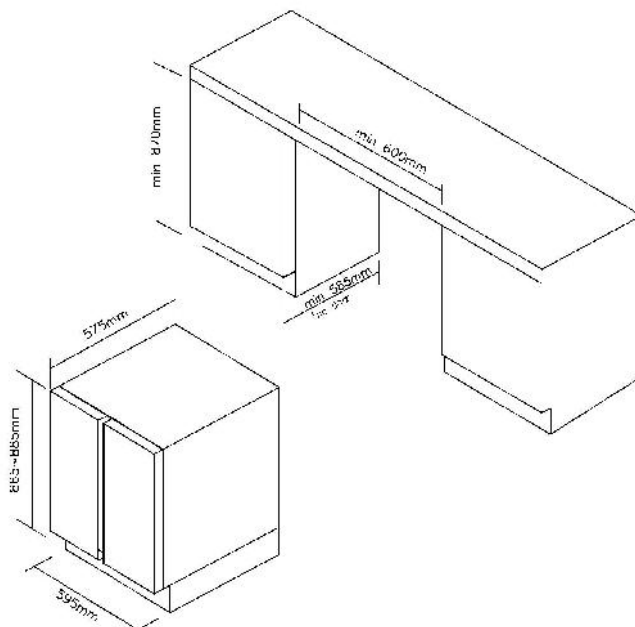
Para altura 813 mm com Porta de Aço Inoxidável Slim



Para altura 865 mm com porta totalmente em vidro ou aço inoxidável



Para altura 865 mm com Porta de Aço Inoxidável Slim



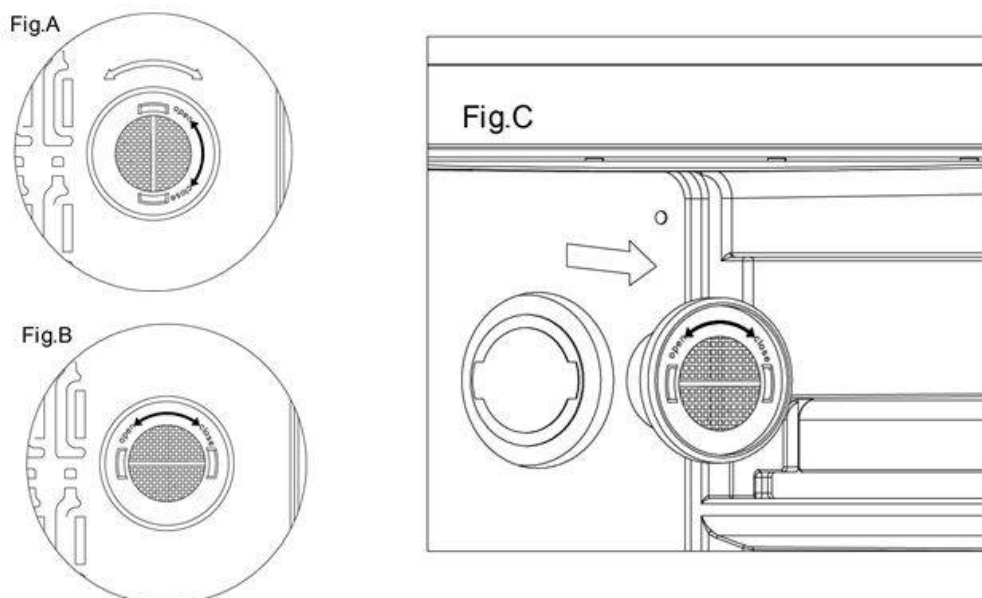
LIMPEZA E MANUTENÇÃO

➤ LIMPEZA DO SEU REFRIGERADOR DE VINHO

- Desligue a energia, desligue o aparelho e remova todos os itens, incluindo prateleiras e calhas.
- Lave as superfícies interiores com água morna e uma solução de bicarbonato de sódio. A solução deve ser preparada com 2 colheres de sopa de bicarbonato de sódio por quarto de água.
- Lave as prateleiras com uma solução detergente suave.
- Retire o excesso de água da esponja ou do pano ao limpar a área dos controlos ou quaisquer peças elétricas.
- Lave o armário exterior com água morna e detergente líquido neutro. Enxague bem e seque com um pano macio e limpo.

➤ **Como substituir o filtro de carvão vegetal**

- Os filtros de carvão vegetal estão localizados no canto superior esquerdo de cada zona do armário de vinhos.
- Abra a porta e remova as 2 prateleiras superiores (consulte, Remoção das prateleiras).
- Rode o filtro de acordo com a Fig. A.
- De acordo com a Fig. B, o filtro deve ser alinhado com os entalhes, como mostrado.
- Puxe o filtro para fora (Fig. C).
- Insira o filtro de substituição e torça de acordo com a Fig. A para travar na posição.
- Volte a instalar as prateleiras.



➤ **Falha de energia**

- A maioria das falhas de energia são corrigidas após algumas horas e não devem afetar a temperatura do seu aparelho se diminuir o número de vezes que a porta é aberta. Se a energia ficar desligada por um longo período de tempo, será preciso tomar medidas adequadas para proteger o seu conteúdo.

➤ **Período de férias**

- **Férias curtas:** Deixe o Refrigerador de Vinho a funcionar durante períodos de férias inferiores a três semanas.
- **Férias longas:** Se o aparelho não for utilizado durante vários meses, retire todos os itens e desligue o aparelho. Limpe e seque completamente o interior. Para evitar o odor e o crescimento do bolor, deixe a porta ligeiramente aberta: bloqueando-a, se necessário.

➤ **Movimentação do seu refrigerador de vinho**

- Remover todos os itens.
- Fixar bem todos os itens soltos (prateleiras) no interior do seu aparelho.
- Rode a perna ajustável até à base para evitar danos.
- Tape a porta.
- Certifique-se de que o aparelho permanece seguro na posição vertical durante o transporte. Proteja também o exterior do aparelho com um cobertor ou artigo semelhante.

➤ **Dicas para poupança de energia**

- O Refrigerador de Vinho deve estar localizado na área mais fria da divisão, longe de aparelhos produtores de calor e fora da luz solar direta.

PROBLEMAS COM O SEU REFRIGERADOR DE VINHO/REFRIGERADOR DE BEBIDAS?

Pode solucionar muitos problemas comuns do refrigerador de vinho/bebidas facilmente, poupando o custo de uma possível chamada de serviço. Tente as sugestões abaixo para ver se pode resolver o problema antes de chamar o técnico de assistência.

GUIA DE RESOLUÇÃO DE PROBLEMAS

PROBLEMA	POSSÍVEL CAUSA
O refrigerador de vinho/refrigerador de bebidas não funciona.	Não está ligado. O aparelho está desligado. O disjuntor disparou ou um fusível queimou.
O refrigerador de vinho/refrigerador de bebidas não está frio o suficiente.	Verifique a configuração de controlo de temperatura. O ambiente externo pode exigir uma configuração mais elevada. A porta é aberta demasiadas vezes. A porta não está completamente fechada. A guarnição da porta não veda corretamente.
Liga e desliga frequentemente.	A temperatura ambiente é mais quente que o normal. Foi adicionada uma grande quantidade de itens ao refrigerador de vinho/refrigerador de bebidas. A porta é aberta demasiadas vezes. A porta não está completamente fechada. O controlo de temperatura não está corretamente regulado. A guarnição da porta não veda corretamente.
As luzes não funcionam.	Não está ligado. O disjuntor disparou ou um fusível queimou. A lâmpada fundiu. O botão de luz está "OFF".
Vibrações.	Verifique se o refrigerador de vinho/refrigerador de bebidas está nivelado.
O refrigerador de vinho/refrigerador de bebidas parece fazer muito barulho.	O ruído de chocalho pode vir do fluxo do refrigerante, o que é normal. À medida que cada ciclo termina, pode ouvir sons de borbulhar causados pelo fluxo de refrigerante no seu refrigerador de vinho/refrigerador de bebidas. A contração e a expansão das paredes interiores da cave de vinhos podem provocar estalidos e ruídos similares. O refrigerador de vinho/refrigerador de bebidas não está nivelado.
A porta não fecha corretamente.	O refrigerador de vinho/refrigerador de bebidas não está nivelado. A porta estava invertida e mal instalada. A junta está suja. As prateleiras estão fora de posição.

Para entrar em contato com a assistência técnica, visite nosso site: <https://corporate.haier-europe.com/en/>. Na seção "website", escolha a marca do seu produto e o seu país. Você será redirecionado para o site específico onde poderá encontrar o número de telefone e formulário para entrar em contato com a assistência técnica

➤ **Disponibilidade de peças de reposição**

- Termóstatos, sensores de temperatura, placas de circuito impresso e fontes de luz, por um período mínimo de sete anos após a colocação no mercado da última unidade do modelo em causa;
- Pegas de porta, dobradiças de porta, tabuleiros e cestos por um período mínimo de sete anos e vedantes de porta por um período mínimo de dez anos, após a colocação no mercado da última unidade do modelo em causa

Definições de temperatura recomendadas

Para guardar todos os tipos de vinho 12 °C to 14 °C

Temperatura recomendada para bebidas

Champanhe NV, Espumante 6 °C

Champanhe Vintage 10 °C

Semillon branco seco, Sauvignon branco 8 °C

Gewürztraminer branco seco, Riesling 10 °C

Chardonnay branco seco 10 °C

Chardonnay Vintage 14 °C

Sauternes Monbazillac brancos doces, Ice Wines 10 °C

Sauternes Vintage brancos doces 14 °C

Beaujolais 13 °C

Pinot Noir tinto 16 °C

Pinot Noir Vintage tinto 18 °C

Cabernet tinto, Merlot, francês, australiano, neozelandês, chileno, argentino, italiano, espanhol, californiano 18 °C

Grenache tinto, Syrah 16 °C

Para mais informações sobre o produto, consulte <https://eprel.ec.europa.eu/> ou digitalize o QR na etiqueta de energia fornecida com o aparelho

Slovák

Ďakujeme vám, že ste si kúpili náš výrobok.

Pred používaním svojej chladničky si pozorne prečítajte návod na použitie, aby ste maximálne využili všetky jej vlastnosti. Všetky dokumenty si odložte pre ďalšie použitie alebo pre ďalších používateľov. Tento spotrebič je určený iba na použitie v domácnosti alebo na podobné využitie, napríklad:

- v kuchynkách pre pracovníkov v obchodoch, v kanceláriách alebo v iných pracoviskách
- v podnikoch, pre hosťov v hoteloch, motelloch a v iných prostrediach rezidenčného typu
- v ubytovniach a v prenajímaných izbách (B & B)
- pre kateringové služby a podobné použitie mimo maloobchodného predaja.

Tento spotrebič sa smie používať iba na skladovanie potravín, každé iné použitie sa považuje za nebezpečné a výrobca v prípade porušenia pokynov nepreberá žiadnu zodpovednosť. Okrem toho sa odporúča nezabúdať na podmienky záruky.

BEZPEČNOSTÉ PREDPISY

Pozorne si prečítajte návod na obsluhu a inštaláciu! Obsahujú dôležité informácie o tom, ako spotrebič inštalovať, používať a ako na ňom vykonávať údržbu. Výrobca nepreberá žiadnu zodpovednosť v prípade nedodržania pokynov a varovaní. Všetku dokumentáciu si odložte, aby ste ju mali k dispozícii na budúce použitie alebo pre ďalších vlastníkov.

- **Pred zapojením spotrebiča do elektrickej siete odstráňte všetky etoky obalový materiál a prepravné ochranné prvky. Deti udržiavajte mimo obalového materiálu a jeho častí. Nebezpečenstvo udusenia skladacími kartónmi a plastovou fóliou!**
- **Nechajte ho pred zapnutím postáť aspoň 4 hodiny, aby sa olej kompresoru ustálil, ak sa prepravoval v horizontálnej polohe**
- **Po dodaní skontrolujte, či výrobok nie je poškodený a či sú všetky časti a príslušenstvo v dokonalom stave**
- **Nepoškozujte chladiaci okruh**
- **Vetracie otvory na kryte spotrebiča alebo na štruktúre zabudovania udržiavajte nezakryté, bez prekážok**
- **Miesto kompresora nikdy neumývajte vodou, po vyčistení ho dôkladne utrite suchou handričkou, aby sa predišlo hrdzaveniu**
- **Zariadenie musia prenášať aspoň dve osoby, pretože je ťažké.**
- **Zariadenie nainštalujte a vyrovnajte na mieste, ktoré je vhodné svojou veľkosťou a využitím.**
- **Uistite sa, že elektrické informácie na typovom štítku súhlasia s napájaním. Ak to tak nie je, kontaktujte elektrikára.**
- **Zariadenie je v prevádzke pri 220 - 240 VAC/50 Hz napájaní. Abnormálne kolísanie napätia môže spôsobiť, že sa prístroj nespustí, poškodí sa regulátor teploty alebo kompresor alebo sa môže pri prevádzke vyskytnúť neobvyklý hluk. V takom prípade musíte namontovať automatický regulátor.**
- **Len pre Veľkú Britániu: Napájací kábel zariadenia je vybavený 3-káblovou (uzemňovacou) zástrčkou, ktorá sa hodí do štandardnej 3-káblovej (uzemnenej) zásuvky. Tretí kolík (uzemnenie) nikdy**

neodrezávajúte ani neodstraňujte. Po inštalácii spotrebiča musí byť zástrčka prístupná.

- Uistite sa, aby sa kábel napájania nezachytil počas a po presúvaní/prenášaní spotrebiča pod spotrebičom, aby sa zabránilo prerezaniu alebo poškodeniu kábla napájania. Ak došlo k poškodeniu napájacieho kábla, musí ho vymeniť výrobca, jeho servisný zástupca alebo podobne spôsobilá osoba, aby nedošlo k nebezpečenstvu
- Spotrebič neinštalujte vo vlhkom, mastnom ani prašnom prostredí a nevystavujte ho priamemu slnečnému svetlu ani vode
- Spotrebič neinštalujte v blízkosti ohrievačov ani horľavých materiálov
- PRE spotrebiče s mraziacim boxom: v prípade výpadku prúdu neotvárajte veko. Ak bude porucha pretrvávajúca kratšie, než je uvedené na typovom štítku (čas zvyšovania teploty), nemalo by to mať na zmrazené potraviny žiadny vplyv. V prípade dlhšieho výpadku treba potraviny skontrolovať a okamžite skonzumovať, prípadne tepelne upraviť a následne znova zmraziť.
- Ak sa vám zdá, že sa veko spotrebiča bezprostredne po zatvorení otvára veľmi sťažka, nie je to dôvod na obavu. Je to spôsobené rozdielom tlaku, ktorý sa po niekoľkých minútach vyrovná, takže sa veko bude dať znova normálne otvoriť.
- V zariadení neskladujte lieky, baktérie ani chemické látky. Toto zariadenie je domáci spotrebič. Neodporúčame vám, aby ste v ňom skladovali materiály, ktoré vyžadujú presné teploty.
- Elektrický napájací kábel príliš neťahajte a neohýbajte, ani sa ho nedotýkajte mokrými rukami
- V spotrebiči neskladujte produkty, ktoré obsahujú horľavé hnacie plyny (napr. spreje) alebo výbušné látky. Nebezpečenstvo výbuchu!
- Na chladničku neumiestňujte nestabilné predmety (ťažké predmety, nádoby naplnené vodou), aby nedošlo k zraneniu osôb následkom pádu alebo úrazu elektrickým prúdom po kontakte s vodou.
- Vnútri oddelenia na skladovanie potravín v spotrebiči nepoužívajte elektrické spotrebiče, s výnimkou typov spotrebičov povolených zo strany výrobcu
- Nedotýkajte sa vnútorných prvkov chladenia, najmä mokrými rukami, aby sa predišlo prasknutiu alebo zraneniu

- **Ohrozené sú deti, osoby so zníženými fyzickými, mentálnymi alebo duševnými schopnosťami, ako aj osoby, ktoré nemajú dostatočné znalosti o bezpečnej prevádzke spotrebiča. Uistite sa, že deti a zraniteľné osoby chápu nebezpečenstvá. Osoba zodpovedná za bezpečnosť musí dohliadať alebo inštruovať deti a zraniteľné osoby, ktoré používajú spotrebič. Spotrebič môžu používať iba deti staršie ako 8 rokov.**
- **Deti sa nesmú hrať so spotrebičom**
- **Deti vo veku od 3 do 8 rokov môžu vkladať a vykladať predmety zo spotrebiča**
- **PRE spotrebiče s mraziacim boxom: v mraziacom boxe neskladujte kvapaliny vo fľašiach alebo plechovkách (najmä sýtené nápoje). Fľaše a plechovky môže roztrhnúť!**
- **PRE spotrebiče s mraziacim boxom: mrazené potraviny vybrané priamo z mraziaceho boxu si nikdy nedávajte do úst. Nebezpečenstvo omrzlín!**
- **Plastové diely a tesnenie dverí udržiajte bez oleja a mastnoty. V opačnom prípade budú plastové časti a tesnenie dverí priepustné.**
- **Pred vykonaním akéhokoľvek úkonu vytiahnite elektrickú zástrčku z elektrickej zásuvky**
- **Na urýchlenie odmrazovania spotrebiča nepoužívajte mechanické nástroje ani iné prostriedky, pokiaľ ich neodporučil výrobca**
- **Na odstránenie námrazy nepoužívajte špicaté alebo ostré predmety, ako sú nože alebo vidličky. Na odmrazovanie nikdy nepoužívajte fény, elektrické ohrievače alebo iné podobné elektrické spotrebiče**
- **Odporúča sa udržiavať zástrčku kábla čistú. Zvyšky prachu na zástrčke by mohli spôsobiť požiar**
- **Zariadenie sa nepokúšajte sami opravovať, rozoberať alebo upravovať. V prípade opravy vždy kontaktujte náš zákaznícky servis.**
- **Počas čistenia alebo údržby spotrebiča dohliadajte na deti.**
- **Studené sklenené poličky nečistite horúcou vodou. Náhla zmena teploty môže spôsobiť rozbitie skla.**
- **VAROVANIE: Rúry chladiaceho okruhu prenášajú malé množstvo ekologicky nezávadného, ale horľavého chladiva (R600a) a izolačného plynu (cyklopentán). Nepoškodzuje ozónovú vrstvu a nezvyšuje skleníkový efekt. Ak chladivo unikne, môže vám poraniť oči alebo sa vznietiť.**
- **V prípade poškodenia chladiaceho okruhu:**
 - **Vypnite spotrebič a vytiahnite sieťovú zástrčku,**

- Premiestnite otvorený oheň a/alebo zdroje vznietenia mimo spotrebiča,
- Miestnosť niekoľko minút dôkladne vyvetrajte,
- Kontaktujte zákaznícky servis.
- **VAROVANIE:** Nepoš kod'te zástrčku ani napájací kábel. Mohlo by dôjsť k zásahu elektrickým prúdom alebo požiaru.
- **VAROVANIE:** Nepoužívajte viacnásobné prenosné zásuvky ani prenosné napájacie káble. Neodporúčame používanie predlžovacích káblov a viaccestných adaptérov.
- Na vrchnú časť spotrebiča si nesadajte ani nestúpajte. Mohli by ste sa zraniť alebo poš kodiť spotrebič. Tento spotrebič nie je určený na stohovanie s akýmikol'vek inými spotrebičmi.
- Výrobok je navrhnutý a skonš truovaný iba na používanie v domácnosti
- Môžu sa používať iba originálne diely dodávané výrobcom. Výrobca zaručuje, že iba tieto diely vyhovujú bezpečnostným požiadavkám.
- Otváranie dverí na dlhš í čas môže spôsobiť značné zvýš enie teploty v priehradkách spotrebiča
- Pravidelne čistite povrchy, ktoré môžu prísť do kontaktu s potravinami aj prístupné drenážne systémy
- Nádrž na čistú vodu vyčistite, ak sa nepoužívala počas 48 hodín; prepláchnite systém vody napojený na prívod vody, ak sa voda nečerpala v priebehu 5 dní
- Surové mäso a ryby uchovávajte v chladničke vo vhodných nádobách tak, aby neboli v kontakte s inými potravinami alebo aby na ne nekvapkali
- Priehradky na mrazené potraviny s dvomi hviezdčkami (ak sa v spotrebiči nachádzajú) sú vhodné na uchovávanie predmrazených potravín, uchovávanie alebo tvorbu zmrzliny a tvorbu ľadových kociek
- Jedno-, dvoj- a trojhviezdičkové priehradky (ak sa v spotrebiči nachádzajú) nie sú vhodné na mrazenie čerstvých potravín
- Ak sa spotrebič ponechá dlhš ie obdobie prázdny, vypnite, odmrazte, vyčistite, osuš te ho a nechajte otvorené dvierka, aby sa prediš lo tvorbe plesne v spotrebiči
- V prípade spotrebičov na uchovávanie vína: tento spotrebič je určený výlučne na uchovávanie vína
- V prípade voľne stojaceho spotrebiča: tento chladiaci spotrebič nie je určený na použitie ako vstavaný spotrebič
- V prípade spotrebičov bez š tvorhviezdičkového oddelenia: tento chladiaci spotrebič nie je vhodný na mrazenie potravín

Likvidácia starých spotrebičov



Toto zariadenie je označené podľa európskej smernice 2012/19/EÚ o odpade z elektrických a elektronických zariadení (OEEZ).

OEEZ obsahuje znečisťujúce látky (ktoré môžu mať negatívny dopad na životné prostredie) a základné komponenty (ktoré je možné opätovne použiť). Je dôležité, aby sa s OEEZ manipulovalo ako so špeciálnym odpadom, aby sa odstránili a správne zlikvidovali všetky znečisťujúce látky a aby sa zhodnotili a recyklovali všetky materiály.

Jednotlivci môžu zohrávať dôležitú rolu pri zabezpečovaní toho, aby sa z OEEZ nestal problém životného prostredia; potrebné je dodržiavať niekoľko základných pravidiel:

- S OEEZ sa nesmie manipulovať ako s domovým odpadom;
- OEEZ je potrebné odovzdať v príslušných zberných strediskách spravovaných obcou alebo registrovanými spoločnosťami. V mnohých krajinách sa vykonáva vyzdvihnutie veľkého OEEZ v domácnostiach.

V mnohých krajinách môžete pri kúpe nového spotrebiča vrátiť starý predajcovi, ktorý je povinný vyzdvihnúť ho bezplatne systémom jedného starého zariadenia za jedno nové zariadenie ekvivalentného typu a s rovnakými funkciami ako má odovzdávané zariadenie.

Zhoda

Označením tohto výrobku značkou **CE** potvrdzujeme zhodu so všetkými relevantnými európskymi bezpečnostnými, zdravotnými a environmentálnymi požiadavkami, ktoré sa v právnych predpisoch vzťahujú na tento výrobok.

Záruka

Minimálna záruka je: 2 roky pre krajiny EÚ, 3 roky pre Turecko, 1 rok pre Spojené kráľovstvo, 1 rok pre Rusko, 3 roky pre Švédsko, 2 roky pre Srbsko, 5 rokov pre Nórsko, 1 rok pre Maroko, 6 mesiacov pre Alžírsko, Tunisko nevyžaduje žiadnu právnu záruku.

Úspora energie

Ak chcete zvýšiť úsporu energie, odporúčame vám:

- Spotrebič nainštalujte ďaleko od zdrojov tepla a nevystavujte ho priamemu slnečnému žiareniu. Umiestnite ho v dobre vetranej miestnosti.
- Do spotrebiča nevkladajte teplé jedlá, aby ste zabránili zvýšeniu teploty vnútri, čo by zase spôsobilo nepretržitú činnosť kompresora.
- Potraviny nekladte tesne blízko seba a okolo stien, aby sa zaistila cirkulácia vzduchu.
- Ak je vnútri spotrebiča ľad a námraza, odmrzte ho, uľahčí sa tým prechod tepla.
- V prípade výpadku elektrického napájania sa odporúča nechávať dvere chladničky zatvorené.
- Dvere otvárajte a nechávajte ich otvorené čo najkratšie.
- Vyvarujte sa nastaveniu príliš nízkej teploty.
- Odstráňte prach zo zadnej mriežky spotrebiča.

Svetelný zdroj (iba LED) vymeniteľný profesionálom

Tento výrobok obsahuje svetelný zdroj triedy energetickej účinnosti G.

POKYNY NA INŠTALÁCIU

➤ **Pred použitím chladničky na víno**

- Odstráňte vonkajší a vnútorný obal.
- Pred pripojením chladničky na víno k zdroju napájania ju nechajte stáť približne 2 hodiny vo vzpriamenej polohe. Zníži sa tým možnosť porúch v chladiacom systéme v dôsledku manipulácie počas prepravy.
- Vnútorný povrch umyte vlažnou vodou a mäkkou handričkou.
- Pri likvidácii spotrebiča vyberte autorizované miesto likvidácie.

➤ **Inštalácia vašej chladničky na víno**

- Tento spotrebič je určený na inštaláciu vo voľnom stoji alebo vstavaný (plne zapustený) (pozri umiestnenie nálepky na zadnej strane tohto spotrebiča).
- **Tento spotrebič je určený výhradne na skladovanie vína alebo nápojov.**
- Umiestnite chladničku na víno na dostatočne pevnú podlahu, aby ju po plnom naložení uniesla. Ak chcete vyrovnať chladničku na víno, nastavte prednú vyrovnávaciu nohu v spodnej časti chladničky na víno.
- Tento spotrebič používa horľavé chladivo, takže počas prepravy nikdy nepoškodíte chladiace potrubia. Umiestnite chladničku na víno mimo dosahu priameho slnečného svetla a zdroja tepla (sporák, kúrenie, radiátor atď.). Priame slnečné svetlo môže ovplyvniť akrylový povlak a tepelné zdroje môžu zvýšiť spotrebu elektriny. Mimoriadne nízke teploty prostredia môžu spôsobiť aj nesprávnu prevádzku zariadenia.
- Nedávajte jednotku do vlhkých miest.
- Pripojte chladničku na víno do vyhradenej, správne uzemnenej zásuvky. Za žiadnych okolností neodrežte ani neodstraňujte tretí (uzemňovací) kolík elektrického napájacieho kábla. O všetkých otázkach o elektrickom napájaní a uzemnení sa poraďte priamo s vyškoleným elektrikárom alebo pracovníkom autorizovaného servisného strediska výrobkov danej značky.

➤ **Pozor**

- Skladujte víno v zapečatených fľašiach;
- Nepreplňujte skriňu;
- Neotvárajte dvere, pokiaľ to nie je potrebné;
- Nezakrývajte police hliníkovou fóliou alebo iným materiálom, ktorý by mohol brániť prúdeniu vzduchu;
- Ak je chladnička na víno dlhodobo skladovaná bez použitia, odporúča sa po starostlivom vyčistení nechať dvierka otvorené, aby mohol vzduch cirkulovať vnútri skrine, aby nedochádzalo k tvorbe kondenzácie, plesní alebo zápachu.

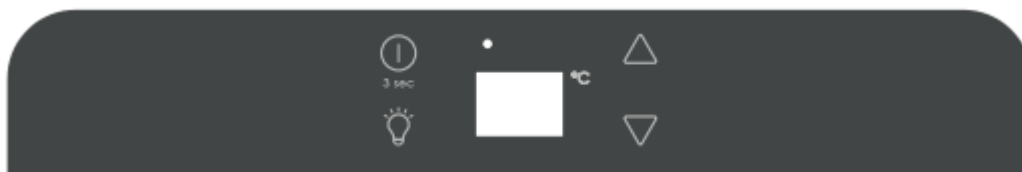
➤ **Limitné hodnoty okolitej teploty**





Tento spotrebič je navrhnutý na prevádzku pri okolitých teplotách stanovených jeho teplotnou triedou vyznačenou na menovitom štítku.

- Rozšírená mierna (SN): „tento chladiaci spotrebič je určený na používanie pri teplote okolia od 10 °C do 32 °C“
- Mierna (N): „tento chladiaci spotrebič je určený na používanie pri teplote okolia od 16 °C do 32 °C“
- Subtropická (ST): „tento chladiaci spotrebič je určený na používanie pri teplote okolia od 16 °C do 38 °C“
- Tropická (T): „tento chladiaci spotrebič je určený na používanie pri teplote okolia od 16 °C do 43 °C“



POUŽÍVANIE CHLADNIČKY NA VÍNO/CHLADNIČKY NA NÁPOJE A NASTAVENIE REGULÁCIE TEPLoty



➤ Pokyny pre ovládací systém



- **Tlačidlo „“**
Pre ovládanie zapnutia/vypnutia tohto spotrebiča (stlačte a podržte tieto tlačidlá približne 3 sekundy).
- **Tlačidlo „“**
Pre ovládanie zapnutia/vypnutia vnútorného osvetlenia.
- **Tlačidlo HORE „“**
Slúži na zvýšenie (ohrevu) teploty v krokoch po 1 °F (1 °C).
- **Tlačidlo DOLE „“**
Slúži na zníženie (chladenie) teploty v krokoch po 1 °F (1 °C).
- **„o“**
Kontrolka svieti, čo znamená, že režim chladenia je v súčasnosti v prevádzke.
- **„DISPLEJ“**
Zobrazuje nastavenú teplotu.

➤ Nastavenie regulácie teploty

Požadovanú teplotu chladenia nastavte stlačením tlačidiel vedľa indikátorov „“ alebo „“.
Každým stlačením tlačidiel prechádzate dostupnými nastaveniami teploty v krokoch po 1 °C.
Teplotu je možné nastaviť od 5 °C do 18 °C.

Ak chcete zistiť každú skutočnú vnútornú teplotu, stlačte a podržte tlačidlo „“ alebo „“ tlačidlo na 3 sekundy, LED bliká a zobrazuje aktuálnu teplotu. Po uvoľnení tlačidla na 5 sekúnd LED obrázok prestane blikáť, a potom sa vráti späť a zobrazí sa nastavená teplota.

Blikajúca LED = teplota skrine

Nepretržite svietiaci LED = nastavená teplota

➤ Teplotný alarm

Ak e teplota vo vnútri vyššia ako 23 °C, na displeji sa zobrazí „HI“, a po jednej hodine zaznie alarm/bzučiak. To znamená, že teplota vo vnútri je príliš vysoká. Ak je teplota vo vnútri nižšia ako 0 °C, na displeji sa zobrazí „LO“ a súčasne je aktívny indikátor poruchy a tiež aj alarmu.

➤ **Funkcia obnovenia teploty**

V prípade prerušenia napájania si chladnička na víno môže zapamätať predchádzajúce nastavenia teploty a pri obnovení napájania sa teplota chladničky vráti na rovnakú nastavenú teplotu ako pri vypnutí napájania.

➤ **Vnútorne osvetlenie**

Aby sa znížila spotreba energie, v tejto vinotéke sa automaticky vypne LED osvetlenie po 10 minútach.

Ak chcete, aby LED osvetlenie nepretržite svietilo, je to možné. Stlačte a podržte tlačidlo „LIGHT“ (OSVETLENIE) po dobu 5 sekúnd, na displeji sa zobrazí „LP“. Po 4 sekundách sa displej vráti do normálu a osvetlenie zostane rozsvietené, kým sa ručne nevypne.

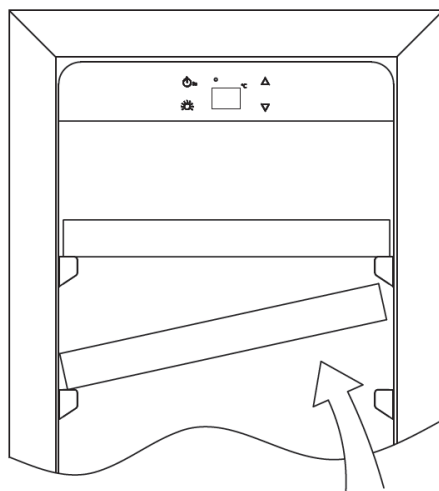
Ak sa chcete vrátiť k pôvodnému nastaveniu a šetriť energiu (odporúčané), stlačte a podržte tlačidlo „LIGHT“ (OSVETLENIE) po dobu 5 sekúnd, na displeji sa zobrazí „LF“, po 4 sekundách sa displej vráti späť do normálu a osvetlenie sa automaticky vypne po 10 minútach.

➤ **Police**

- Aby nedošlo k poškodeniu tesnenia dvierok, uistite sa, že sú pri vyťahovaní políc z priestoru koľajnice dvierka úplne otvorené.
- Pre ľahký prístup k uloženému obsahu je nutné vytiahnuť police približne o 1/3 z priestoru koľajnice, ale táto jednotka bola navrhnutá so zárezom na oboch stranách koľají pre police, aby sa zabránilo pádu fliaš.
- Ak chcete pri vyberaní ktorejkoľvek z týchto políc z priestoru koľajnice vložiť alebo vybrať policu, nakloňte policu podľa schémy a jednoducho ju vytiahnite alebo zatlačte, kým sa bezpečne neuloží na podperné konzoly.

➤ **POZNÁMKA:**

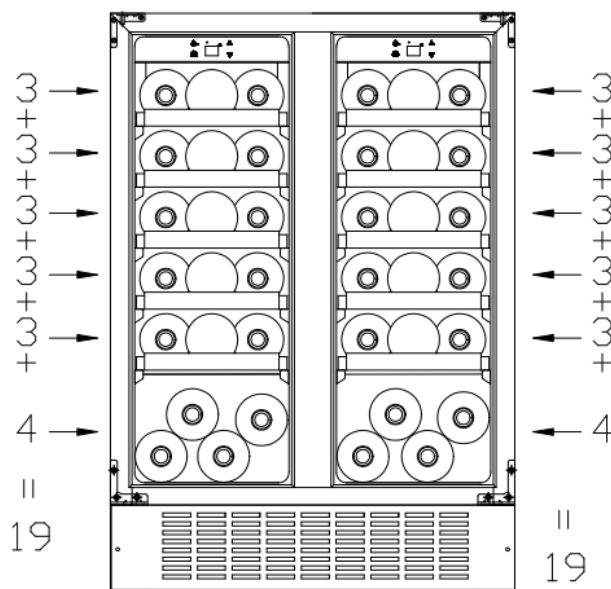
- Ak je jednotka odpojená, dôjde k strate alebo vypnutiu napájania, musíte pred reštartovaním vyčekať 3 až 5 minút. Ak sa pokúsite o reštart pred týmto oneskorením, chladnička na víno/chladnička na nápoje sa nespustí.
- Pri prvom použití chladničky na víno/chladničky na nápoje alebo reštartovaní chladničky na víno/chladničky na nápoje po dlhom vypnutí môže dôjsť k niekoľkým stupňom rozdielu medzi vami zvolenou teplotou a teplotou uvedenou na LED indikátore. To je bežné a je to kvôli dĺžke aktivačnej doby. Len čo bude chladnička na víno/chladnička na nápoje niekoľko hodín v prevádzke, všetko sa vráti do normálu.



➤ **Schéma uloženia**

V závislosti od aktuálnej konfigurácie vášho produktu skontrolujte príslušnú schému uloženia.

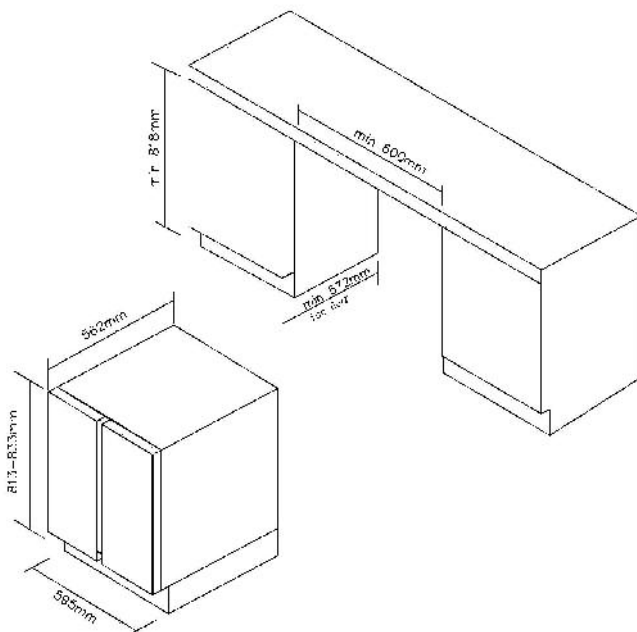
Spolu: 38 fliaš (max.)



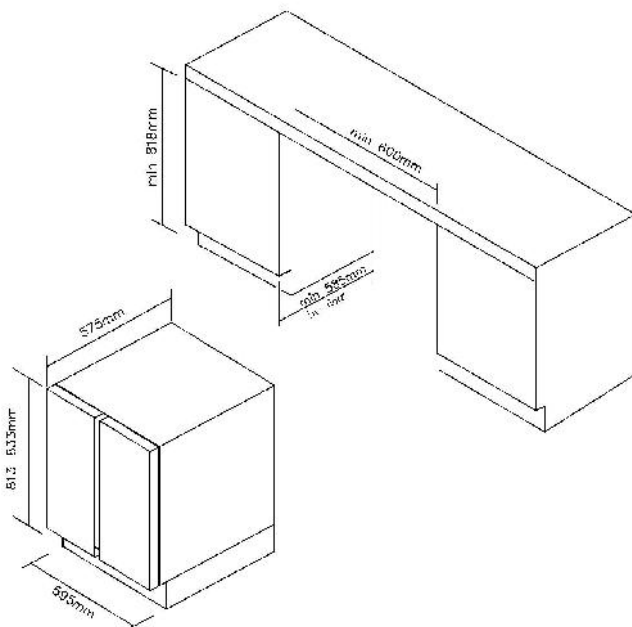
Najúspornejšia konfigurácia si vyžaduje, aby boli poličky umiestnené vo výrobku, pozrite si vyššie uvedené obrázky.

➤ **Špecifikácie inštalácie pre zabudovanie**

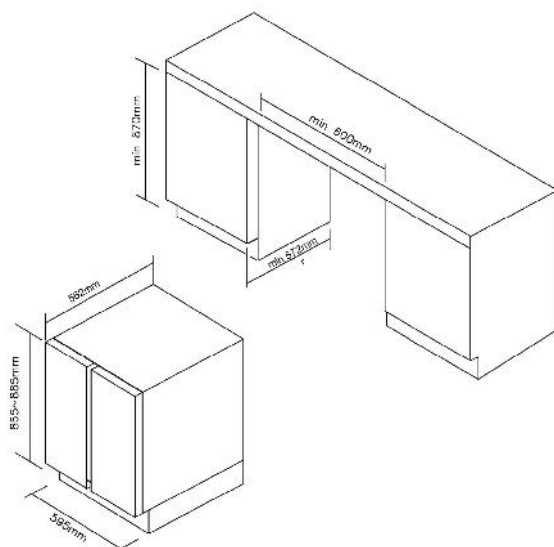
Pre výšku 813 mm s celosklenými alebo nerezovými dverami



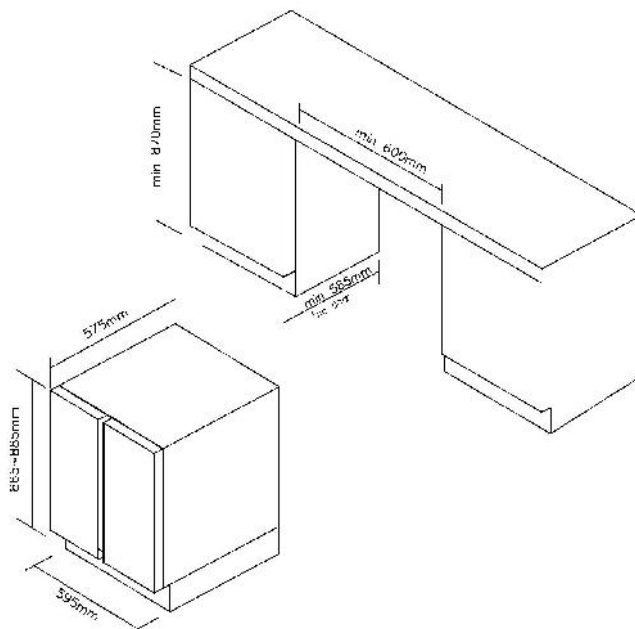
Pre výšku 813 mm s úzkymi dverkami z nehrdzavejúcej ocele



Pre výšku 865 mm s celosklenými alebo nerezovými dverami



Pre výšku 865 mm s úzkymi dvierkami z nehrdzavejúcej ocele



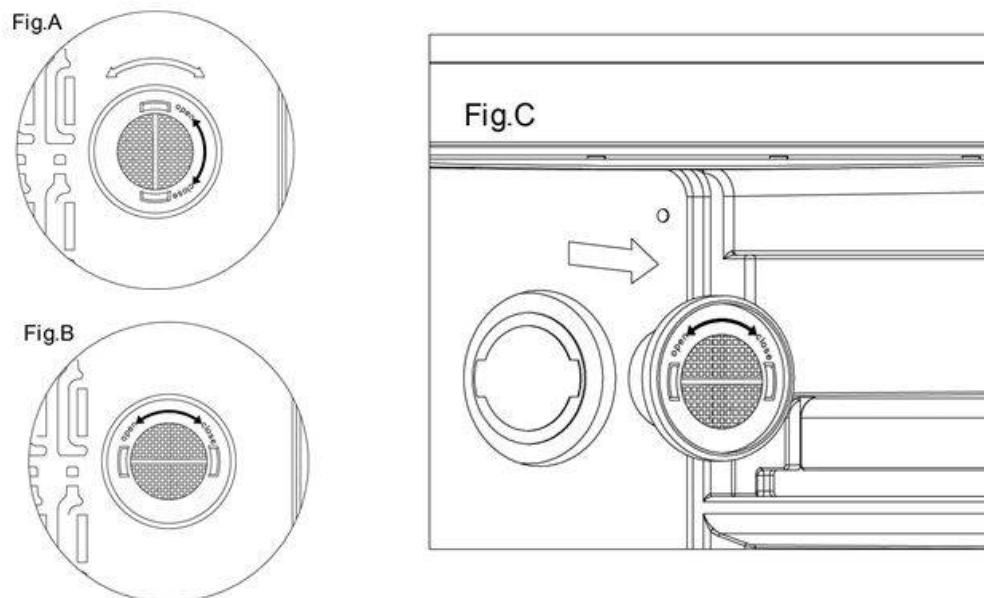
STAROSTLIVOSŤ A ÚDRŽBA

➤ Čistenie chladničky na víno

- Vypnite napájanie, odpojte spotrebič a odstráňte všetky položky, vrátane políc a stojanu.
- Vnútorne povrchy umyte roztokom teplej vody s jedlou sódou. Pre vytvorenie roztoku rozpustíte 2 polievkové lyžice v jednom litri vody.
- Police umyte jemným roztokom čistiaceho prostriedku.
- Pri čistení oblasti ovládacích prvkov alebo akýchkoľvek elektrických častí odstráňte prebytočnú vodu z huby alebo handričky.
- Vonkajší povrch umyte teplou vodou a jemným tekutým čistiacim prostriedkom. Dobre opláchnite a utrite do sucha čistou mäkkou handričkou.

➤ **Ako vymeniť uhlíkový filter**

- Uhlíkové filtre sú umiestnené v ľavom hornom rohu každej zóny vinotéky.
- Otvorte dverka a vyberte 2 horné police (pozrite si demontáž políc).
- Otočte filter podľa obr. A.
- Podľa obr. B by mal byť filter zarovnaný so zárezmi, ako je znázornené na obrázku.
- Vytiahnite filter (obr. C).
- Vložte náhradný filter a otočte ho podľa obr. A, aby sa zaistil.
- Vložte police naspäť.



➤ **Prerušenie elektrického napájania**

- Väčšina výpadkov napájania je vyriešená v priebehu niekoľkých hodín a nemala by ovplyvniť teplotu spotrebiča, ak minimalizujete počet otvorení dveriek. Ak sa elektrické napájanie preruší na dlhšie, bude potrebné urobiť správne kroky na ochranu obsahu chladničky.

➤ **Obdobie dovolenky**

- **Krátka dovolenka:** Počas dovolenky kratšej ako tri týždne nechajte chladničku na víno v prevádzke.
- **Dlhá dovolenka:** Ak sa spotrebič nebude používať niekoľko mesiacov, odstráňte všetky položky a vypnite ho. Vnútro dôkladne vyčistite a vysušte. Aby ste zabránili vzniku zápachu a plesní, nechajte dverka mierne otvorené: v prípade potreby ich zablokujte otvorené.

➤ **Premiestnenie chladničky na víno**

- Vyberte všetky položky.
- Upevnite starostlivo všetky voľné diely (police) vo vnútri spotrebiča.
- Nastaviteľnú nohu otočte nahor k základni, aby nedošlo k poškodeniu.
- Zaistite dverka páskou.
- Počas prepravy zaistite, aby spotrebič zostal vo vzpriamenej polohe. Chráňte tiež vonkajší povrch spotrebiča prikrývkou alebo podobným predmetom.

➤ **Tipy na úsporu energie**

- Chladnička na víno by mala byť umiestnená v najchladnejšej časti miestnosti, mimo dosahu spotrebičov produkujúcich teplo a mimo priameho slnečného svetla.

PROBLÉMY S CHLADNIČKOU NA VÍNO/CHLADNIČKOU NA NÁPOJE?

Mnoho bežných problémov s chladničkou na víno/chladničkou na nápoje môžete ľahko vyriešiť, čím ušetríte náklady na možný servisný hovor. Postupujte podľa odporúčaní nižšie, aby ste videli, či problém nedokážete vyriešiť aj bez volania servisného technika.

RIEŠENIE PROBLÉMOV:

PROBLÉM	MOŽNÉ PRÍČINY
Chladnička na víno/chladnička na nápoje nefunguje.	Nie je zapojená do elektrickej siete. Spotrebič je vypnutý. Vypadnutý istič alebo spálená poistka.
V chladničke na víno/chladničke na nápoje nie je dostatočný chlad.	Skontrolujte nastavenie regulácie teploty. Vonkajšie prostredie si môže vyžadovať vyššie nastavenie. Otvárali ste príliš často dvere. Dvere nie sú úplne zatvorené. Tesnenie dverí nedosadá správne.
Často sa zapína a vypína.	Teplota v miestnosti je vyššia ako bežne. Do chladničky na víno/chladničky na nápoje bolo pridané veľké množstvo obsahu. Otvárali ste príliš často dvere. Dvere nie sú úplne zatvorené. Ovládač teploty nie je nastavený správne. Tesnenie dverí nedosadá správne.
Nesvieti svetlo.	Nie je zapojená do elektrickej siete. Vypadnutý istič alebo spálená poistka. Vypálila sa žiarovka. Tlačidlo osvetlenia je „VYPNUTÉ“.
Vibrácie.	Skontrolujte, či je chladnička na víno/chladnička na nápoje vyrovnaná.
Zdá sa, že chladnička na víno/chladnička na nápoje vydáva príliš veľký hluk.	Klokotanie môže byť spôsobené prúdením chladiva, čo je normálne. Po ukončení každého cyklu môžete počuť bublanie spôsobené prietokom chladiva v chladničke na víno/chladničke na nápoje. Kontrakcia a expanzia vnútri stien môže spôsobiť praskanie a pukanie. Chladnička na víno/chladnička na nápoje nie je vyrovnaná.
Dvere nie sú správne zatvorené.	Chladnička na víno/chladnička na nápoje nie je vyrovnaná. Dvierka bola obrátené a nebola správne nainštalované. Tesnenia sú špinavé. Police sú vysunuté zo svojho miesta.

Ak chcete kontaktovať technickú pomoc, navštívte našu webovú stránku: <https://corporate.haier-europe.com/en/>. V sekcii „webová stránka“ vyberte značku vášho produktu a vašu krajinu. Budete presmerovaní na konkrétnu webovú stránku, kde nájdete telefónne číslo a formulár na kontaktovanie technickej pomoci

➤ **Dostupnosť náhradných dielov**

- Termostaty, snímače teploty, dosky plošných spojov a svetelné zdroje, aspoň počas siedmich rokov od uvedenia posledného kusu daného modelu na trh
- Rúčky a závesy dverí, poličky a košíky aspoň počas siedmich rokov a tesnenia dverí aspoň počas 10 rokov od uvedenia posledného kusu daného modelu na trh;

Odporúčané NASTAVENIA teploty

Na skladovanie VŠETKÝCH DRUHOV VÍN 12 °C to 14 °C

Odporúčaná TEPLOTA pitia

Šampanské neročnikové, šumivé 6 °C

Šampanské ročnikové 10 °C

Suchý biely Semilion, Sauvignon Blanc 8 °C

Suchý biely Gewürztraminer, Rizling 10 °C

Suché biele Chardonnay 10 °C

Ročnikové Chardonnay 14 °C

Sladké biele Sauternes Monbazillac, neskorý zber ľadového vína 10 °C

Sladké biele ročnikové Sauternes 14 °C

Beaujolais 13 °C

Rulandské modré 16 °C

Ročnikové Rulandské modré 18 °C

Červený Cabernet, Merlot, francúzsky, austrálsky, novozélandský, čilsky, argentínsky, taliansky, španielsky, kalifornský 18 °C

Red Grenache, Syrah 16 °C

Ďalšie informácie o produkte nájdete na <https://eprel.ec.europa.eu/> alebo naskenujte QR na energetickom štítku dodávanom so spotrebičom.

Slovensko

Hvala, da ste se odločili za nakup našega izdelka.

Prosimo, da pred uporabo vašega novega hladilnega aparata pozorno preberete ta navodila, da zagotovite najboljše delovanje. Vse dokumente, ki so bili hladilnemu aparatu priloženi, shranite, da bodo na voljo tudi morebitnim bodočim lastnikom. Hladilni aparat je namenjen samo uporabi v gospodinjstvih in podobnih okoljih:

-
-
-
-

Hladilni aparat je namenjen samo shranjevanju živil. Uporaba v druge namene je nevarna. Proizvajalec ne prevzema odgovornosti za nezgode zaradi nenamenske uporabe. Priporočamo tudi, da si preberete garancijske pogoje.

VARNOSTNE INFORMACIJE

Prosimo, pozorno preberite navodila za uporabo in namestitve!

Vsebujejo pomembne informacije o namestitvi, uporabi in vzdrževanju naprave.

Proizvajalec ne odgovarja, če ne upoštevate navodil in opozoril. Vse dokumente hranite za nadaljnjo uporabo ali za naslednjega lastnika.

- **Naprave ne priključite na elektriko, dokler niso z/iz nje odstranjene vsa embalaža in prevozu namenjene zaščite. Otroci naj ne bodo v bližini embalaže in njenih delov.**
Nevarnost zadušitve z zložljivimi kartoni in plastično folijo!
- **Če ste napravo prevažali leže, naj pred priklopom na elektriko stoji pokonci najmanj 4 ure, da se tekočina kompresorja ustali.**
- **Prepričajte se, da ni poškodb zaradi transporta.**
- **Ne poškodujte kroga hladilnega sredstva.**
- **Prezračevalne odprtine v napravi in vgradni omari, če je naprava nameščena vanjo, morajo biti vedno neovirane.**
- **Za čiščenje kompresorja nikoli ne uporabite vode, da ne bi zarjavel. Med čiščenjem ga previdno obrišite s suho krpo.**
- **Napravo premikajte s pomočjo vsaj še ene osebe, ker je težka.**
- **Napravo namestite in izravnajte na prostor, ki ustreza njeni velikosti in namenu.**
- **Prepričajte se, da so električni podatki na podatkovni nalepki v skladu z električno napetostjo. Če niso, kontaktirajte električarja.**
- **Naprava deluje z napajanjem 220-240 VAC/50 Hz.**
Nenormalno nihanje napetosti lahko povzroči, da se naprava ne zažene, poškoduje se regulator temperature ali kompresor ali pa se pri delovanju pojavi nenavaden hrup. V tem primeru se namesti samodejni regulator.
- **Samo za Združeno kraljestvo: Napajalni kabel naprave je opremljen**

s 3-kablним (ozemljitveni) vtičem, ki ustreza standardni 3-kabelni (ozemljeni) vtičnici. Nikoli ne odrežite ali odstranite tretjega zatiča (ozemljitev)! Ko je naprava nameščena, mora biti vtič dostopen.

- Pazite, da se napajalni kabel med nameščanjem/premeščanjem in po njem ne ujame pod robove naprave, ker bi ga to lahko prerezalo ali poškodovalo. Če se napajalni kabel poškoduje, ga mora – da se izognete tveganju električnega udara – zamenjati pooblaščen servisier ali drug za to usposobljen strokovnjak.
- Naprave ne postavite v vlažen, zamaščen ali prašen prostor, niti je ne izpostavljajte neposrednim sončnim žarkom ali stiku z vodo.
- Naprave ne postavite v bližino grelcev ali vnetljivih materialov.
- ZA naprave s predelkom za zamrzovanje: Če zmanjka elektrike, zamrzovalnika ne odpirajte. Zamrznjena hrana bi morala zaprta brez elektrike zdržati toliko časa kot je navedeno nalepki z oznako (čas dviga temperature). Če je izpad elektrike daljši, hrano preverite in jo takoj pojejte ali pa jo skuhajte in ponovno zamrznite.
- Če je vrata aparata težko odpreti nekaj časa po tem, ko ste jih zaprli, ne skrbite. To je učinek razlike v tlaku, ki se bo po nekaj minutah izenačil in vrata boste lahko normalno odprli.
- V napravi ne shranjujte zdravil, bakterij ali kemičnih snovi. Ta naprava je gospodinjski aparat, zato v njem ni priporočljivo hraniti materialov, ki zahtevajo strogi nadzor temperature shranjevanja.
- Napajalnega kabla ne vlecite in upogibajte, ne dotikajte se vtikača z mokrimi rokami.
- Ne v napravi niti v njeni bližini ne hranite vnetljivih razpršil, npr. barv v spreju. Lahko bi prišlo do eksplozije ali požara.
- Na hladilnik ne postavljajte nestabilnih predmetov (težkih predmetov, posod, napolnjenih z vodo), da se izognete poškodbam zaradi padca ali električnega udara zaradi stika z vodo.
- V notranjosti naprave ne uporabljajte električnih aparatov, razen če katerega priporoča proizvajalec.
- Ne dotikajte se notranjih hladilnih elementov, zlasti z mokrimi rokami, da se izognete praskam ali poškodbam.
- Pri ravnanju z napravo so ogroženi otroci, ljudje z omejenimi fizičnimi, duševnimi ali senzoričnimi sposobnostmi, pa tudi ljudje, ki nimajo zadostnega znanja o varnem delovanju naprave.
- Preverite, ali so otroci in ranljivi ljudje razumeli nevarnosti. Oseba, odgovorna za varnost, mora nadzorovati ali poučiti otroke in ranljive ljudi, ki uporabljajo aparat.

Naprave smejo uporabljati samo otroci, stari 8 let in več.

- Otroci se ne smejo igrati z napravo.
- Otroci, stari od 3 do 8 let, smejo živila zložiti v in iz naprave.
- ZA naprave z zamrzovalnim predelom: v zamrzovalnem predelu ne shranjujte tekočin v steklenicah ali pločevinkah (zlasti gaziranih pijač). Steklenice in pločevinke lahko počijo!
- ZA naprave z zamrzovalnikom: zmrznjene hrane nikoli ne dajte naravnost iz zamrzovalnika v usta. Nevarnost ozeblin zaradi nizkih temperatur!
- Na plastičnih delih in tesnilih vrat ne sme biti olja in masti. V nasprotnem primeru bodo plastični deli in tesnilo vrat postali porozni.
- Pred kakršnim koli posegom izvlecite električni napajalni kabel iz vtičnice.
- Za pospeševanje postopka odmrzovanja ne uporabljajte mehanskih naprav ali druge opreme, razen če jo priporoča proizvajalec.
- Za odstranjevanje ledu ne uporabljajte koničastih predmetov ali predmetov z ostrimi robovi, kot so noži ali vilice.
- Za odmrzovanje ne uporabljajte sušilnikov za lase, grelnikov ali drugih električnih naprav.
- Priporočljivo je, da je vtikač naprave vedno čist, brez prašnih oblog, ki bi se lahko vnele in povzročile požar.
- Naprave ne poskušajte sami popraviti, razstaviti ali spremeniti. Za popravilo se vedno obrnite na pooblaščen servis.
- Otroke med čiščenjem ali vzdrževanjem naprave nadzorujte.
- Hladnih steklenih polic ne čistite z vročo vodo. Zaradi nenadne spremembe temperature lahko steklo poči.
- **OPOZORILO:** V ceveh hladilnega krogotoka je majhna količina okolju prijaznega, a vnetljivega hladilnega sredstva (R600a) in izolacijskega plina (ciklopentan). Ne poškoduje ozonskega plašča in ne poveča učinka tople grede. Če pride do puščanja hladilnega sredstva, lahko poškoduje vaše oči ali se vname.
- V primeru poškodbe hladilnega kroga:
 - Ugasnite napravo in izključite električni kabel iz omrežja;
 - V bližini naprave naj ne bo odprtega ognja in/ali virov vžiga;
 - Prostor vsaj nekaj minut dobro zračite;
 - Obvestite pooblaščen servis.
- **OPOZORILO:** Ne poškodujte vtikača in/ali električnega napajalnega kabla; to lahko povzroči električni udar ali požar.

- **OPOZORILO:** Ne uporabljajte prenosnih vtičnic ali prenosnih napajalnikov z več priključki. Ne priporočamo uporabe podaljškov in večsmernih adapterjev.
- Ne poskušajte sedeti ali stati na vrhu naprave. Lahko se poškodujete ali poškodujete napravo. Na napravo ne nalagajte drugih naprav.
- Naprava je izdelana le za domačo uporabo v gospodinjstvih.
- Uporabljajo se lahko samo originalni deli proizvajalca. Proizvajalec zagotavlja, da samo ti deli izpolnjujejo varnostne zahteve.

- Dalj časa odprta vrata lahko povzročijo precejšen dvig temperature v notranjosti.
 - Površine v stiku z živili in dostopne odtočne sisteme redno čistite.
 - Očistite rezervoarje za vodo, če jih niste uporabljali 48 ur; splaknite sistem za dotok vode, priključen na vodovod, če voda ni bila črpana 5 dni.
 - Surovo meso in ribe shranjujte v primernih posodah v hladilniku, tako da ne pridejo v stik z drugimi živili ali da z njih ne kaplja na druga živila .

 - Predali z dvema zvezdicama (če so v napravi) so primerni za shranjevanje zamrznjene hrane, shranjevanje ali pripravo sladoleda in izdelavo kock ledu.
 - Predali z eno, dvema in tremi zvezdicami (če so v napravi) niso primerni za zamrzovanje svežih živil.
 - Če je naprava dlje časa prazna, jo izklopite, odmrznite, očistite, posušite in pustite vrata odprta, da preprečite nastanek plesni v napravi.
- **ZA vinske omare:** ta naprava je namenjena izključno za shranjevanje vina.
- **ZA prostostoječ aparat:** ta hladilni aparat ni namenjen uporabi kot vgradni aparat.
- **ZA naprave brez oddelka s štirimi zvezdicami:** ta hladilna naprava ni primerna za zamrzovanje živil.

Odstranjevanje odsluženega aparata



Izdelek je označen skladno z evropsko direktivo 2012/19/EU o odpadni električni in elektronski opremi (WEEE).

Električne in elektronske naprave vsebujejo oboje, onesnaževalne snovi (ki imajo negativen vpliv na okolje) in osnovne dele (ki jih je mogoče ponovno uporabiti). Zato je pomembno, da gre takšna naprava skozi posebne postopke, s katerimi se odstrani in pravilno zavrže vse onesnaževalce ter shrani vse ponovno uporabljive dele in se jih reciklira.

Posameznik ima pomembno vlogo pri zagotavljanju tega, da električne in elektronske naprave niso okolju nevarne, zato je bistveno upoštevati naslednje::

- ne smete jih zavreči med običajne gospodinjske odpadke;
- odnesite jih na njim določeno zbirno mesto na deponiji ali izkoristite možnost kosovnega odpada (odvažanje kosov, na določen datum postavljenih pred hišo), če ga vaše lokalno komunalno podjetje izvaja.

V številnih državah lahko ob nakupu nove naprave prodajalcu brezplačno vrnete staro, če je ta iste vrste in ima iste funkcije kot nova.

Izjava o skladnosti

Znak **CE** na izdelku potrjuje, da naprava ustreza vsem relevantnim evropskim varnostnim, zdravstvenim in okoljskim zahtevam, ki so z zakonom določene za ta izdelek.

Garancija

Minimalna garancija velja: 2 leti za države EU, 3 leta za Turčijo, 1 leto za Združeno kraljestvo, 1 leto za Rusijo, 3 leta za Švedsko, 2 leti za Srbijo, 5 let za Norveško, 1 leto za Maroko, 6 mesecev za Alžirijo, za Tunizijo ni zahtevana zakonska garancija.

Varčevanje z energijo

Za večji prihranek energije priporočamo:

- Hladilnik naj ne stoji tik ob viru toplote in naj ne bo izpostavljen neposredni sončni svetlobi; postavite ga v dobro zračen prostor.
- Ne postavljajte v hladilnik vročih živil, saj s tem zvišate temperaturo v notranjosti, kar lahko povzroči delovanje kompresorja brez prekinitev.
- V hladilnik ne zlagajte prevelike količine živil, to ovira kroženje zraka.
- Ko se nabere led, ga očistite, da olajšate prenos nizke temperature.
- Če zmanjka električnega toka, ne odpirajte vrat hladilnika.
- Vrata odpirajte le, ko je nujno potrebno, in jih ne puščajte dolgo odprtih.
- Nastavljanje prenizke temperature ni potrebno.
- Občasno očistite prah, ki se nabira na hrbtne strani aparata.

Svetlobni vir (samo LED) sme zamenjati samo strokovnjak

Ta izdelek vsebuje svetlobni vir z razredom energetske učinkovitosti G.

NAVODILA ZA NAMESTITEV

➤ **Pred uporabo vinske vitrine**

- Odstranite zunanjo in notranjo embalažo.
- Preden vinsko vitrino priključite na vir napajanja, jo približno 2 uri pustite stati pokonci. To bo zmanjšalo morebitno okvaro hladilnega sistema pri rokovanju med prevozom.
- Notranje površine očistite z mehko krpo, namočeno v mlačni vodi .
- Aparat je namenjen samo uporabi v gospodinjstvih in podobnih okoljih:
 - v kuhinjah za osebje v pisarnah, delavnicah in drugih delovnih okoljih;
 - na kmetijah, za stranke v hotelih, motelih ali drugih bivalnih okoljih;
 - v penzionih (B & B);
 - za potrebe gostinstva in podobno, vendar ne za namene veleprodaje.
- Odslužen aparat odstranite v skladu z lokalnimi predpisi.

➤ **Namestitev vinske vitrine**

- Ta naprava je namenjena namestitvi kot prostostoječ ali vgradni aparat (glejte nalepko na zadnji strani naprave).
- **Ta aparat je namenjen izključno za shranjevanje vina.**
- Vinsko vitrino postavite na tla, ki so dovolj močna, da lahko vzdržijo težo hladilnika, ko je popolnoma napolnjen. Z nastavitvijo sprednjih prilagodljivih nog hladilnik ustrezno uravnajte.
- Ta naprava uporablja vnetljivo hladilno sredstvo. Zato med transportom nikoli ne poškodujte hladilne cevi. Hladilnik za vino postavite stran od neposredne sončne svetlobe in virov toplote (štedilnik, grelec, radiator itd.). Neposredna sončna svetloba lahko vpliva na akrilno prevleko, viri toplote pa lahko povečajo porabo električne energije. Ekstremno nizke temperature v okolici lahko povzročijo tudi nepravilno delovanje enote.
- Aparata ne nameščajte v vlažne prostore.
- Vinsko vitrino priključite na samostojno, pravilno nameščeno ozemljeno stensko vtičnico. V nobenem primeru ne režite ali odstranjujte tretjega (ozemljenega) vijaka iz napajalnega kabla. Vsa vprašanja o napajanju in/ali ozemljitvi naslovite na pooblaščenega električarja ali pooblaščenega servisni center.

➤ **Pozor**

- Vino shranjujte v zaprtih steklenicah;
- V vitrino ne naložite preveč steklenic;
- Ne odpirajte vrat, če to ni potrebno;
- Ne prekrivajte polic z aluminijasto folijo ali katerim koli drugim materialom, ki lahko prepreči kroženje zraka;
- Če vinske vitrine ne boste uporabljali dalj časa, priporočamo, da po skrbnem čiščenju pustite vrata odprta, da zrak v notranjosti omare kroži in tako preprečite morebiten nastanek kondenzacije, plesni ali vonjav.

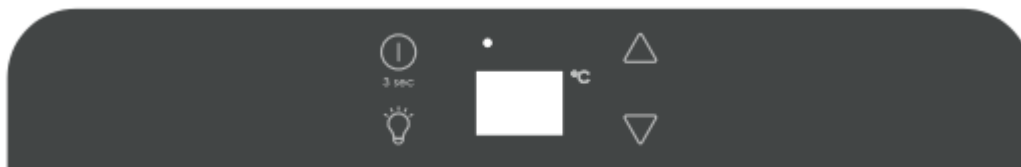
➤ **Mejne vrednosti sobne temperature**





Naprava je zasnovana za delovanje pri temperaturah skladno s klimatskim razredom naprave, ki je napisan na podatkovni nalepki.

- Razširjeno zmerno območje (SN): aparat je namenjen uporabi kjer je temperatura prostora od 10 °C do 32 °C;
- Zmerno območje (N): aparat je namenjen uporabi kjer je temperatura prostora med 16 °C in 32 °C;
- Subtropsko območje (ST): aparat je namenjen uporabi kjer je temperatura prostora med 16 °C in 38 °C;
- Tropsko območje (T): aparat je namenjen uporabi kjer je temperatura prostora med 16 °C in 43 °C;



UPRAVLJANJE VINSKE VITRINE/HLADILNIKA ZA PIJAČE IN NASTAVITEV TEMPERATURE

➤ Navodila za upravljalno ploščo





- “” Gumb
Za vklop/izklop hladilnika. (Pritisnite in držite ta gumb približno 3 sekunde).
- “” Gumb
Za vklop/izklop notranje osvetlitve.
- “” Gumb
Za zvišanje (segrevanje) temperature v korakih po 1 °C.
- “” Gumb
Za znižanje (hlajenje) temperature v korakih po 1 °C.
- “o”
Kontrolna lučka sveti, kar pomeni, da trenutno deluje način hlajenja.
- “LED zaslon”
Za prikaz nastavljenе temperature.

➤ Nastavitev regulacije temperature

Želeno temperaturo hlajenja nastavite tako, da pritiskate gumbе za zvišanje "" oziroma " " " temperature. Vsak pritisk gumba po temperaturo znižal oziroma dvignil v korakih po 1 stopinjo.

- Temperaturo je mogoče nastaviti na od 5 °C do 18 °C.

Če želite videti koliko je dejanska notranja temperatura, pritisnite in držite gumb "" ali "" 3 sekunde, LED lučka bo utripala in prikazala dejansko temperaturo. Pet sekund po tistem, ko ste nehali pritiskati gumb, bo LED lučka prenehala utripati, nato pa prikazala nastavljenо temperaturo.

Utripajoča LED = Nastavljena temperatura
Prižgana LED = Temperatura v vitrini

➤ Alarm za temperaturo

Če je temperatura v notranjosti višja od 23 °C, se na zaslonu prikaže "HI" in eno uro po tem se oglasi alarm/zvočni signal. To je znak, da je temperatura v notranjosti previsoka. Če je notranja temperatura nižja od 0 °C, se na zaslonu prikaže "LO", hkrati pa je skupaj z alarmom aktiven tudi indikator okvare.

➤ **Funkcija ohranjanja temperature**

V primeru prekinitve napajanja, se v spominu vinske vitrine ohranijo prej nastavljene temperature. Ko se napajanje povrne, se temperatura hladilnika vrne na tisto, ki je bila nastavljena pred izklopom napajanja.

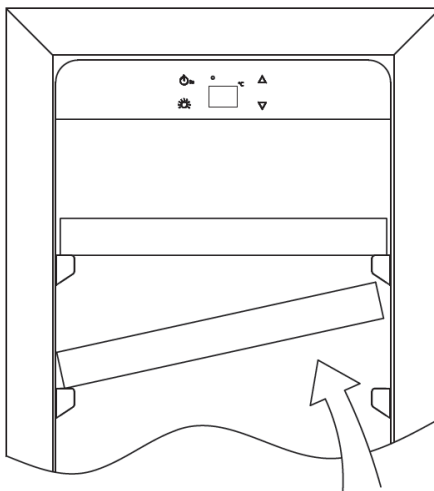
➤ **Notranja osvetlitev**

Da bi zmanjšali porabo energije, vinska vitrina po 10 minutah samodejno izklopi LED osvetlitev. Če želite, da LED lučka neprekinjeno sveti, je to mogoče. Pritisnite in 5 sekund držite gumb "LIGHT", na zaslonu se prikaže "LP". Po 4 sekundah se bo zaslon vrnil v normalno stanje in lučka bo ostala prižgana, dokler je ne izklopite ročno.

Če želite ponovno nastaviti samodejni izklop osvetlitve za zmanjšanje porabe energije (priporočeno), pritisnite in 5 sekund držite gumb "LIGHT". Na zaslonu se prikaže "LF", po 4 sekundah se bo zaslon vrnil v normalno stanje, lučka pa se bo samodejno izklopila po 10 minutah.

➤ **Police**

- Da bi preprečili poškodbe tesnila vrat, vrata vitrine odprite do konca, ko iz nje jemljete police.
- Za lažji dostop do vsebine na polici, morate polico izvleči približno za 1/3 poti s tirnico. Aparat pa je zasnovan z zarezo na vsaki strani polic, ki preprečuje, da bi steklenice padle.
- Ko odstranjujete katero koli od teh polic iz predelka s tirnico, je za pritrditev ali odstranitev police potrebno polico nagniti, kot je prikazano na sliki, nato pa jo preprosto izvleči ali potisniti, dokler se trdno ne nasloni na podporne nosilce.



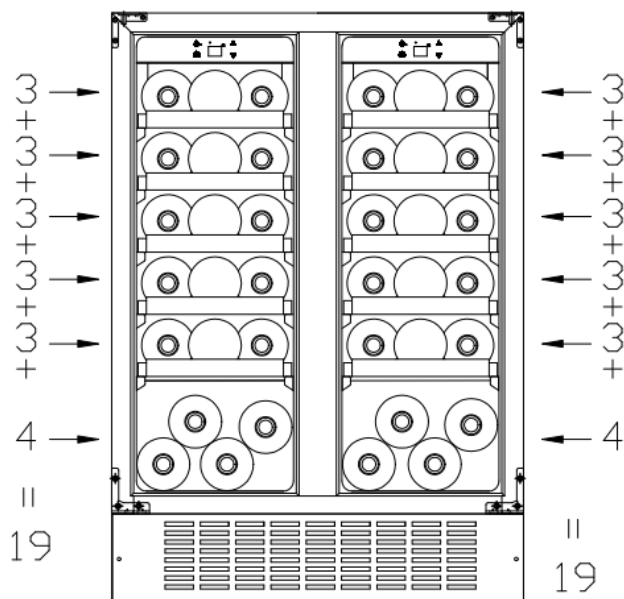
➤ **Opomba:**

- Če je vitrina izklopljena iz vtičnice, če je izklopljeno električno napajanje ali je prišlo do izpada elektrike, morate pred ponovnim zagonom hladilnika počakati od 3 do 5 minut. Če poskusite hladilnik zagnati pred to časovno zakasnitvijo, se vinska vitrina ne zažene.
- Pri prvi uporabi vinske vitrine/hladilnika za pijače ali ponovnem zagonu vitrine po daljšem izklopu lahko med izbrano temperaturo in temperaturo, prikazano na LED zaslonu, pride do odstopanja za nekaj stopinj. To je normalno in je posledica dolžine časa aktiviranja. Ko bo vinska vitrina delovala nekaj ur, se bo vse vrnilo v normalno stanje.

➤ **Shema shranjevanja**

Preverite shemo shranjevanja vin glede na konfiguracijo vašega izdelka.

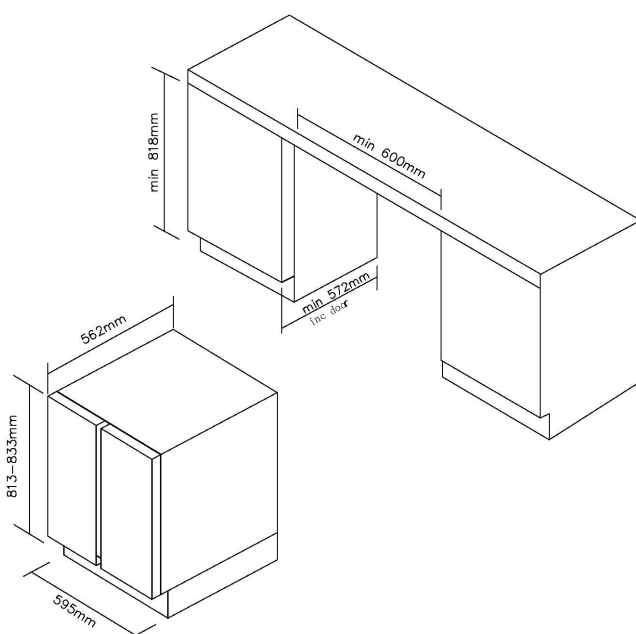
Skupaj: 38 buteljk (Max)



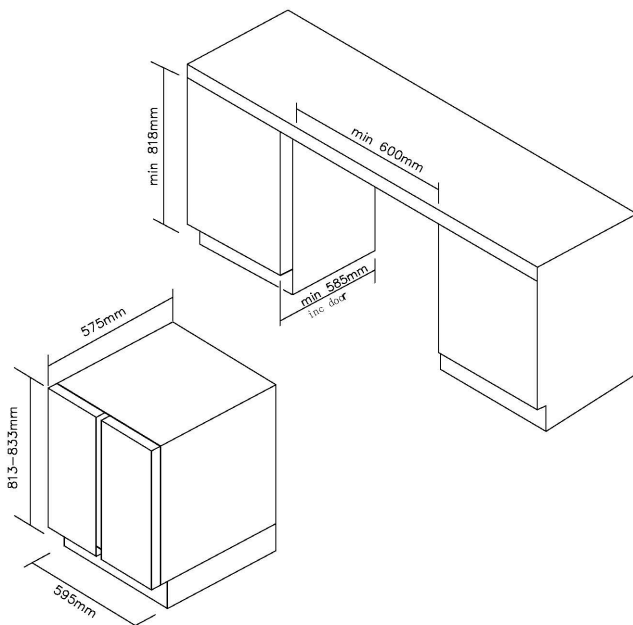
Na sliki je prikazana namestitev polic na način, ki omogoča največji prihranek energije.

➤ **Specifikacije za vgradnjo**

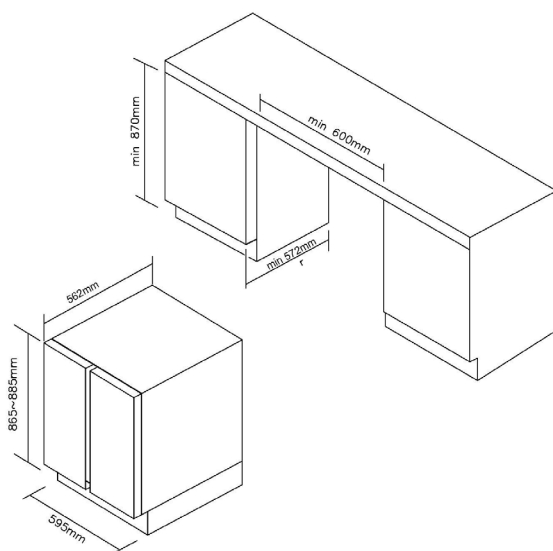
Za višino 813 mm s steklenimi vrati ali vrati iz nerjavečega jekla



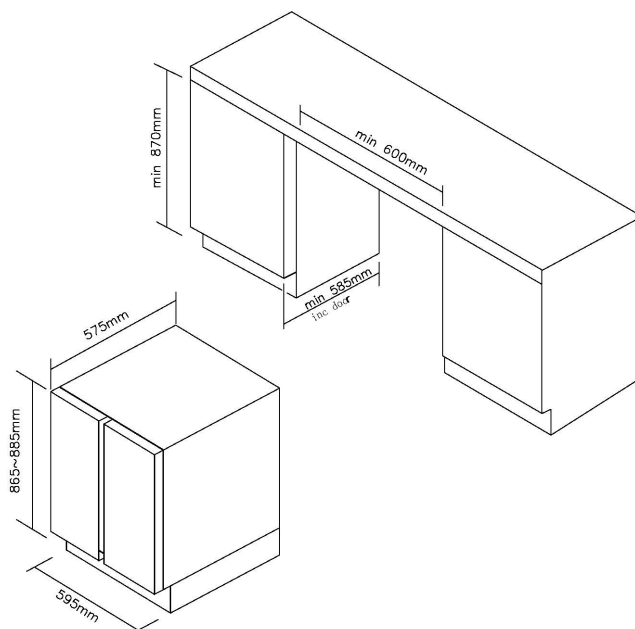
Za višino 813 mm s slim vrati iz nerjavečega jekla



Za višino 865 mm s steklenimi vrati ali vrati iz nerjavečega jekla



Za višino 865 mm s slim vrati iz nerjavečega jekla



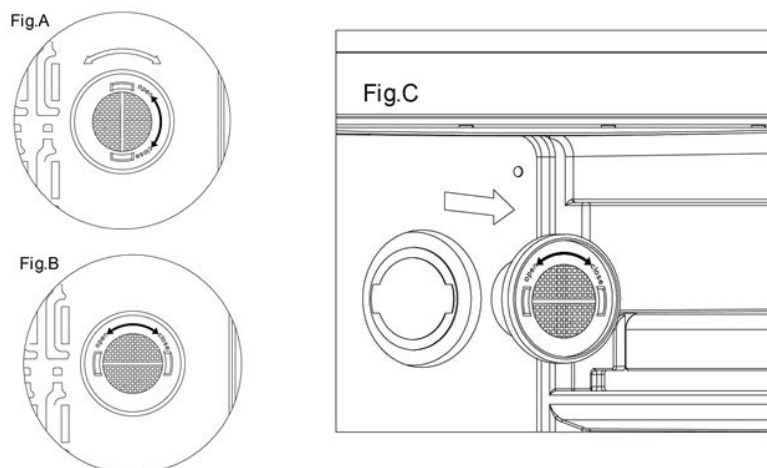
ČIŠČENJE IN VZDRŽEVANJE

➤ Čiščenje vinske vitrine

- Izklopite napajanje, izključite aparat in odstranite vse predmete, vključno s policami in mrežo.
- Notranje površine operite s toplo vodo in raztopino sode bikarbone. Raztopina mora biti približno 2 žlici sode bikarbone na liter vode.
- Police operite z blago raztopino detergenta.
- Območja okoli krmilnih elementov ali električnih delov očistite z močno ožeto gobico ali krpo.
- Zunanji del hladilnika operite s toplo vodo in blagim detergentom. Dobro sperite in do suhega obrišite s čisto mehko krpo.

➤ **Menjava ogljenega filtra (če je v napravi)**

- Ogljeni filtri se nahajajo v zgornjem levem kotu vsake cone vinske vitrine.
- Odprite vrata in odstranite zgornji dve polici (glejte Odstranjevanje polic).
- Obrnite filter, kot je prikazano na sliki A.
- Filter mora biti poravnani z zarezi, kot je prikazano na sliki B.
- Izvlecite filter (slika C).
- Vstavite nadomestni filter in zavrtite, da se zaskoči, kot je prikazano na sliki A.
- Ponovno namestite police.



➤ **Izpad električne energije**

- Večina izpadov električne energije je odpravljena v nekaj urah in ne bi smela vplivati na temperaturo v napravi, če vrata čim manj odpirate. Če bo napajanje dlje časa izklopljeno, morate ustrezno zaščititi vsebino hladilnika

➤ **Čas odsotnosti**

- **Krajša odsotnost:** V času odsotnosti, krajše od treh tednov, pustite vinsko vitrino normalno delovati.
- **Daljša odsotnost:** Če aparata ne boste uporabljali več mesecev, odstranite vse predmete in aparat izklopite. Notranjost temeljito očistite in posušite. Da preprečite nastanek vonja in plesni, pustite vrata rahlo odprta: po potrebi jih blokirajte, da se ne zaprejo.

➤ **Premikanje vinske vitrine**

- Odstranite vse predmete.
- Vse ohlapne predmete (police) v notranjosti aparata varno pritrdite z lepilnim trakom.
- Nastavljivo nogo zavrtite navzgor do konca, da se izognete poškodbam.
- Vrata zaprite in zalepite z lepilnim trakom.
- Zagotovite, da bo naprava med transportom varno v pokončnem položaju. Zunanost aparata zaščitite tudi z odejo ali podobnim ovojem.

➤ **Nasveti za varčevanje z energijo**

- Vinska vitrina naj bo v najhladnejšem delu prostora, stran od naprav za proizvodnjo toplote in stran od neposredne sončne svetlobe.

IMATE TEŽAVE Z VINSKO VITRINO?

Sami lahko z lahkoto rešite številne pogoste težave z vinsko vitrino in prihranite stroške morebitnega servisa. Preizkusite spodnje predloge in preverite, ali lahko težavo rešite, preden pokličete servis.

VODIČ ZA REŠEVANJE TEŽAV

TEŽAVA	MOŽEN VZROK
Vinska vitrina ne deluje.	Ni priključena v električno omrežje. Aparat ni vklopljen. Ni elektrike ali je pregorela varovalka.
V vinski vitrini ni dovolj nizka temperatura.	Preverite nastavitve nadzora temperature. Zaradi razmer v prostoru in okolju je morda potrebna višja nastavitve. Prepogosto odpiranje vrat. Vrata niso popolnoma zaprta. Tesnilo vrat morda ne tesni popolnoma.
Pogosto se vklaplja in izklaplja.	Sobna temperatura je višja kot običajno. V hladilnik je bilo naloženo preveč vsebine. Prepogosto odpiranje vrat. Vrata niso popolnoma zaprta. Nadzor temperature ni pravilno nastavljen. Tesnilo vrat morda ne tesni popolnoma.
V vitrini ne deluje osvetlitev.	Vitrina ni priključena. Ni elektrike ali je pregorela varovalka. Pregorela je žarnica. Gumb za osvetlitev je izklopljen.
Tresljaji.	Preverite, ali je vitrina v ravnovesju.
Vitrina deluje preveč hrupno.	Hrup ropotanja lahko izvira iz toka hladilnega sredstva, kar je normalno. Po vsakem končanem ciklu hlajenja se morda sliši šumeč zvok, ki ga povzroča tok hladilnega sredstva v vitrini. Krčenje in raztezanje notranjih sten lahko povzroči pokanje in prasketanje. Vitrina ni v ravnovesju.
Vrata se ne zapirajo pravilno.	Vitrina ni v ravnovesju. Vrata so bila obrnjena in niso pravilno nameščena. Tesnilo vrat je umazano. Police niso pravilno nameščene.

Če želite stopiti v stik s tehnično podporo, obiščite našo spletno stran: <https://corporate.haier-europe.com/en/> V razdelku »website« izberite blagovno znamko svojega izdelka in svojo državo. Preusmerjeni boste na določeno spletno mesto, kjer najdete telefonsko številko in obrazec za stik s tehnično podporo.

➤ **Razpoložljivost rezervnih delov**

- Termostati, temperaturni senzorji, tiskana vezja in svetlobni viri so na voljo najmanj sedem let po tem, ko je bila na trg dana zadnja enota modela.
- Ročaji za vrata, tečaji za vrata, pladnji in košare najmanj sedem let in tesnila za vrata najmanj 10 let, potem ko je bila na trg dana zadnja enota modela.

Priporočena NASTAVITEV temperature

Za shranjevanje VSEH VRST VIN	12 °C to 14 °C
Priporočena temperatura za PITJE vina	
Šampanjci (Champagne) non-vintage, Penine	6 °C
Šampanjci vintage (Champagne Vintage)	10 °C
Suhi beli Semillon, Sauvignon Blanc	8 °C
Suhi beli Gewürztraminer, Rizling (Riesling)	10 °C
Suhi beli Chardonnay	10 °C
Vintage Chardonnay	14 °C
Sladki beli Sauternes Monbazillac, Pozna trgategv, ledeno vino	10 °C
Sladki beli vintage Sauternes	14 °C
Beaujolais	13 °C
Rdeč Pinot Noir	16 °C
Vintage Pinot Noir rdeč	18 °C
Rdeč Cabernet, Merlot (Francija, Avstralija, Nova zelandija, Čile, Argentina, Italija, Španija, Kalifornija,..)	18 °C
Rdeč Grenache, Syrah	16 °C

Za dodatne informacije o izdelku obiščite <https://eprel.ec.europa.eu/> ali skenirajte QR kodo na energijski nalepki, priloženi aparatu.

Deutsch

Vielen Dank für den Kauf dieses Produkts.

Bitte lesen Sie vor dem Gebrauch des Kühlschranks diese Anleitung sorgfältig, um das Gerät optimal zu nutzen. Bewahren Sie die gesamte Referenzdokumentation zum Nachschlagen oder für einen eventuellen späteren Besitzer auf. Dieses Gerät ist ausschließlich für den Hausgebrauch und vergleichbare Verwendung bestimmt, wie:

- Personalküchen in Geschäften, Büros und anderen Arbeitsumgebungen,
- in landwirtschaftlichen Betrieben, für die Nutzung durch Gäste von Hotels, Motels und ähnlichen Unterkünften,
- Bed & Breakfast (B&B),
- Catering-Dienste und ähnliche Zwecke im Einzelhandel.

Das Gerät darf ausschließlich für die Konservierung von Lebensmitteln verwendet werden. Jede andere Verwendung wird als gefährlich erachtet und der Hersteller weist im Fall der Nichtbeachtung jede Haftung zurück. Bitte lesen Sie auch die Garantiebestimmungen.

SICHERHEITSINFORMATIONEN

Bitte lesen Sie die Bedienungs- und Installationsanleitung sorgfältig durch!

Sie enthalten wichtige Informationen, wie das Gerät installiert, verwendet und gewartet werden soll.

Der Hersteller haftet nicht, wenn Sie die Anweisungen und Warnungen nicht beachten.

Bewahren Sie die gesamte Dokumentation zum Nachschlagen oder für einen eventuellen späteren Besitzer auf.

- **Das Gerät erst dann an die Stromversorgung anschließen, wenn sämtliches Verpackungsmaterial und Transportschutzvorrichtungen entfernt wurden. Kinder von Verpackungsmaterial fernhalten.**
- **Erstickungsgefahr durch Faltschachteln und Kunststoffolie!**
- **Das Gerät vor dem Einschalten mindestens vier Stunden lang stehen lassen, wenn es im Liegen transportiert wurde, damit sich das Kompressoröl absetzen kann.**
- **Vergewissern Sie sich, dass keine Transportschäden vorliegen.**
- **Den Kühlkreislauf nicht beschädigen.**
- **Die Lüftungsgitter am Gehäuse des Geräts und innerhalb der Einbauöffnung nicht verstopfen oder verschließen.**
- **Kompressor niemals feucht reinigen. Umgebung des Kompressors nach dem Reinigen gründlich trocken wischen, um Rost zu vermeiden.**
- **Das Gerät immer mit mindestens zwei Personen transportieren, da es schwer ist.**
- **Installieren und richten Sie das Gerät in einem Bereich ein, der für seine Größe und Verwendung geeignet ist.**
- **Stellen Sie sicher, dass die elektrischen Informationen auf dem Typenschild der Stromversorgung entsprechen. Ist dies nicht der Fall, wenden Sie sich an einen Elektriker.**
- **Das Gerät wird über eine 220-240 V Wechselspannung/50 Hz betrieben. Unnormale Spannungsschwankungen könnten dazu führen, dass das Gerät nicht angeht, der Temperaturregler oder Kompressor beschädigt wird, oder dass während des Betriebs ein unnormales Geräusch auftritt. In einem solchen Fall ist ein**

- automatischer Regler anzubringen.
- **Nur für Großbritannien:** Das Gerätenetzkabel ist mit einem 3-adrigen Stecker (Erdungsstecker) ausgestattet, der in eine 3-adrige Norm-Buchse (geerdet) passt. Den dritten Stift (Erdung) auf keinen Fall kappen oder entfernen. Das Gerät muss so installiert werden, dass der Stecker erreichbar ist.
 - Darauf achten, dass das Stromkabel während und nach dem Tragen/Verschieben des Geräts nicht darunter stecken bleibt, damit es nicht beschädigt oder zerschnitten wird. Wenn das Stromkabel beschädigt ist, muss es vom Hersteller oder von seinem Service-Mitarbeiter, oder einer gleichwertig qualifizierten Person ausgetauscht werden, um jegliches Risiko zu vermeiden.
 - Das Gerät nicht in Umgebungen mit feuchter, öliger oder staubiger Atmosphäre installieren sowie vor direkter Sonneneinstrahlung und Wasser schützen.
 - Das Gerät nicht in der Nähe von Hitzequellen oder entflammaren Materialien installieren.
 - **FÜR Geräte mit Gefrierfach:** Bei Stromausfall nicht die Türe öffnen. Das Gefriergut sollte nicht beeinträchtigt werden, wenn der Stromausfall die auf dem Typenschild angegebenen Stunden (Temperaturanstiegszeit) nicht überdauert. Dauert der Stromausfall länger, sollten die Lebensmittel überprüft und sofort verzehrt oder gekocht und erneut eingefroren werden.
 - Lässt sich die Klappe des Geräts schwierig öffnen, nachdem Sie diese gerade geschlossen haben, so ist dies normal. Dies liegt am Druckausgleich, der hergestellt wird. Die Türe lässt sich normalerweise nach wenigen Minuten wieder öffnen.
 - Keine Arzneimittel, Bakterien oder Chemikalien im Gerät lagern. Dieses Gerät ist ein Haushaltsgerät, es wird daher davon abgeraten, Materialien zu lagern, die extreme Temperaturen erfordern.
 - Das Netzkabel nicht stark spannen oder biegen und den Netzstecker nicht mit nassen Händen berühren.
 - Bewahren Sie keine Produkte auf, die entzündliche Treibmittel (z. B. Sprühdosen) oder explosive Substanzen enthalten. Explosionsgefahr!
 - Stellen Sie keine instabilen Gegenstände (schwere Gegenstände, mit Wasser gefüllte Behälter) auf den Kühlschrank, um Verletzungen durch Herunterfallen oder elektrische Schläge durch Kontakt mit Wasser zu vermeiden.
 - Im Inneren des Kühlschranks keine elektrischen Geräte benutzen, es sei denn, der Typ wurde vom Hersteller empfohlen.
 - Berühren Sie interne Kühlelemente nicht, insbesondere nicht mit nassen Händen, um Risse oder Verletzungen zu vermeiden.
 - Gefährdet sind hier Kinder, Menschen mit eingeschränkten körperlichen, geistigen oder sensorischen Fähigkeiten sowie

Menschen, die über unzureichende Kenntnisse in Bezug auf den sicheren Betrieb des Geräts verfügen.

- **Überprüfen Sie, ob Kinder und schutzbedürftige Menschen die Gefahren verstanden haben. Eine für die Sicherheit verantwortliche Person muss Kinder und gefährdete Personen, die das Gerät benutzen, überwachen oder instruieren. Nur Kinder ab 8 Jahren dürfen das Gerät benutzen.**
- **Dieses Gerät ist kein Spielzeug für Kinder.**
- **Kinder im Alter von 3 bis 8 Jahren dürfen Lebensmittel in dieses Gerät legen und herausnehmen.**
- **FÜR Geräte mit Gefrierfach: Keine abgefüllten oder konservierten Flüssigkeiten (insbesondere kohlenensäurehaltige Getränke) im Gefrierfach aufbewahren. Flaschen und Dosen können platzen!**
- **FÜR Geräte mit Gefrierfach: Tiefkühlware nie direkt aus dem Gefrierfach in den Mund nehmen. Es besteht die Gefahr einer Kälteverbrennung!**
- **Halten Sie Kunststoffteile und die Türdichtung frei von Öl und Fett. Andernfalls werden Kunststoffteile und die Türdichtung porös.**
- **Vor jedem Eingriff am Gerät den Netzstecker ziehen.**
- **Keine mechanischen oder sonstigen Hilfsmittel verwenden, um den Abtauvorgang zu beschleunigen, es sei denn, dies ist vom Hersteller so empfohlen.**
- **Keine scharfkantigen Gegenstände wie Messer oder Gabeln verwenden, um Eisschichten damit zu entfernen.**
- **Keinen Haarföhn, Heizgeräte oder sonstige elektrische Geräte zum Abtauen verwenden.**
- **Den Netzstecker sauber halten. Starke Staubablagerungen erhöhen die Brandgefahr.**
- **Versuchen Sie nicht, das Gerät selbst zu reparieren, zu zerlegen oder zu verändern. Bei Reparaturen wenden Sie sich immer an unseren Kundenservice.**
- **Kinder überwachen, während das Gerät gereinigt oder gewartet wird.**
- **Die kalten Einlegeböden aus Glas nicht mit heißem Wasser reinigen. Plötzliche Temperaturschwankungen können dazu führen, dass das Glas zerspringt.**
- **WARNUNG: Die Rohre des Kühlkreislaufs enthalten eine geringe Menge eines umweltfreundlichen, aber brennbaren Kältemittels (R600a) und ein Schaumtreibmittel (Cyclopentan). Es schädigt nicht die Ozonschicht und erhöht nicht den Treibhauseffekt. Wenn das Kältemittel entweicht, kann es Ihre Augen schädigen oder sich entzünden.**
- **Wenn der Kühlkreislauf beschädigt wird:**
 - **Schalten Sie das Gerät aus und ziehen Sie den Netzstecker.**
 - **Halten Sie offenes Feuer und Zündquellen vom Gerät fern.**

- Den Raum einige Minuten lang gründlich lüften.
- Informieren Sie den Kundendienst.
- **WARNUNG: Den Netzstecker und/oder das Netzkabel nicht beschädigen - Stromschlag- und Brandgefahr!**
- **WARNUNG: Keine Mehrfachsteckdosen oder Verlängerungen verwenden. Keine Verlängerungskabel und Mehrfachsteckleisten verwenden.**
- **Sich nicht auf das Gerät stellen oder darauf sitzen. Dies könnte zu Personenschäden führen oder das Gerät beschädigen. Dieses Gerät ist nicht geeignet, um darauf oder darunter weitere Geräte zu stapeln.**
- **Das Produkt ist nur für die Verwendung in Privathaushalten vorgesehen.**
- **Es dürfen nur Originalteile verwendet werden, die vom Hersteller geliefert werden. Der Hersteller garantiert, dass nur diese Teile die Sicherheitsanforderungen erfüllen.**
- **Das längere Öffnen der Tür kann zu einem bedeutenden Temperaturanstieg in den Kühlfächern des Geräts führen.**
 - Die mit den Lebensmitteln in Berührung kommenden Oberflächen und zugänglichen Ablaufsysteme müssen regelmäßig gereinigt werden.
 - Reinigen Sie die Wassertanks, wenn sie 48 Stunden lang nicht benutzt wurden. Spülen Sie den an eine Wasserleitung angeschlossenen Wasserkreislauf, wenn fünf Tage lang kein Wasser entnommen wurde.
 - Bewahren Sie rohes Fleisch und Fisch in geeigneten Behältern im Kühlschrank auf, damit es nicht mit anderen Lebensmitteln in Berührung kommt oder Flüssigkeit auf diese tropft.
 - Zwei-Sterne-Gefrierfächer (sofern im Gerät vorhanden) eignen sich zur Aufbewahrung von vorgefrorenen Lebensmitteln, zur Lagerung oder Herstellung von Speiseeis und zur Herstellung von Eiswürfeln.
 - Ein-, Zwei- und Drei-Sterne-Fächer, sofern im Gerät vorhanden, sind nicht zum Einfrieren von frischen Lebensmitteln geeignet.
 - Wenn das Gerät längere Zeit leer bleibt, schalten Sie es aus, tauen Sie es ab, reinigen und trocknen Sie es, und lassen Sie die Tür offen, um zu verhindern, dass sich im Innenraum Schimmel bildet.
- **FÜR Weintemperierschränke: Dieses Gerät ist ausschließlich für die Weinlagerung bestimmt.**
- **FÜR ein frei stehendes Gerät: Dieses Kühlgerät ist nicht zur Verwendung als Einbaugerät bestimmt.**
- **FÜR Geräte ohne 4-Sterne-Fach: Dieses Kühlgerät ist nicht zum Einfrieren von Lebensmitteln geeignet.**

Entsorgung des Altgeräts



Dieses Elektrohaushaltsgerät ist entsprechend der EU-Richtlinie 2012/19/CE über Elektro- und Elektronik-Altgeräte (WEEE) gekennzeichnet.


Elektro- und Elektronik-Altgeräte enthalten umweltschädigende Substanzen, aber auch Grundkomponenten, die wiederverwendet werden können. Daher ist es wichtig, Elektro- und Elektronik-Altgeräte spezifisch zu entsorgen, um alle schädlichen Substanzen zu entfernen und wiederverwendbare Teile zu recyceln.

Verbraucher leisten einen wichtigen Beitrag zur Gewährleistung, dass Elektro- und Elektronik-Altgeräte nicht zu einem Umweltproblem werden. Halten Sie sich daher bitte an die folgenden Grundregeln:

- Elektro- und Elektronik-Altgeräte dürfen nicht mit dem normalen Hausmüll entsorgt werden.
- Elektro- und Elektronik-Altgeräte müssen bei zugelassenen Sammelstellen abgegeben werden, die von der Stadtverwaltung oder anderen zuständigen Stellen verwaltet werden. In vielen Ländern wird für die Entsorgung großer Elektro- und Elektronik-Altgeräte ein Abholservice angeboten.

Beim Kauf eines neuen Geräts wird das alte möglicherweise vom Händler zurückgenommen, der es kostenfrei entsorgt, sofern das neue Gerät von einem ähnlichen Typ ist und die gleiche Funktion erfüllt wie das Altgerät.

Konformität

Durch das Zeichen  auf diesem Produkt wird seine Einhaltung aller geltenden Sicherheits-, Gesundheits- und Umweltauflagen bestätigt, die gesetzlich für dieses Produkt vorgeschrieben sind.

Garantie

Die Mindestgarantie beträgt: 2 Jahre für EU-Länder, 3 Jahre für die Türkei, 1 Jahr für Großbritannien, 1 Jahr für Russland, 3 Jahre für Schweden, 2 Jahre für Serbien, 5 Jahre für Norwegen, 1 Jahr für Marokko, 6 Monate für Algerien, Tunesien keine gesetzliche Gewährleistung erforderlich.

Energie sparen

Tipps zum Energiesparen:

- Das Gerät entfernt von Hitzequellen, vor Sonneneinstrahlung geschützt und in einem gut belüfteten Raum aufstellen.
- Keine warmen Speisen in das Gerät stellen. Dies erhöht die Innentemperatur und der Kompressor arbeitet im Dauerbetrieb.
- Das Gerät nicht übermäßig füllen, um eine korrekte Belüftung zu gewährleisten.
- Wenn sich eine Eisschicht bildet, das Gerät abtauen, um die Kälteabgabe zu erleichtern.
- Bei Stromausfall die Tür möglichst geschlossen halten.
- Die Türen so selten wie möglich öffnen und nicht zu lange offen halten.
- Den Thermostat nicht auf eine übermäßig geringe Temperatur einstellen.
- Staubablagerungen von der Geräterückseite entfernen

Lichtquelle (nur LED), die durch einen Fachmann ausgetauscht werden kann.
Dieses Produkt enthält eine Lichtquelle der Energieeffizienzklasse G.

INSTALLATIONSANWEISUNG

➤ Vor der Verwendung Ihres Weintemperierschranks

- Entfernen Sie die Umverpackung und die Innenverpackung.
- Vor dem Anschluss an die Stromquelle muss der Weintemperierschrank zwei (2) Stunden aufrecht stehen. Auf diese Weise werden Störungen des Kühlsystems infolge der Handhabung während des Transports vermieden.
- Reinigen Sie die Außenflächen mit handwarmem Wasser und einem weichen Tuch.
- Entsorgen Sie Ihr Gerät nur über einen autorisierten Abfallentsorger.

➤ Installation Ihres Weintemperierschranks

- Dieses Gerät ist für die freistehende Installation oder für den Einbau (vollständig integriert) vorgesehen (siehe Aufkleber auf der Rückseite des Geräts).
- **Dieses Gerät ist ausschließlich für die Wein- und Getränkelagerung bestimmt.**
- Stellen Sie den Weintemperierschrank auf einem Boden mit ausreichender Tragkraft für das vollbeladene Gerät auf. Bringen Sie den Weintemperierschrank über den vorderen Stellfuß an der Unterseite in die Waage.
- Dieses Gerät enthält ein entflammbares Kältemittel. Beschädigen Sie also niemals die Kühlleitungen während des Transports. Stellen Sie den Weintemperierschrank geschützt vor direkter Sonneneinstrahlung und von Heizquellen entfernt auf (Ofen, Herd, Heizkörper usw.). Direkte Sonneneinstrahlung kann die Akrylbeschichtung beschädigen und Heizquellen in der Nähe tragen zu erhöhtem Energieverbrauch bei. Extrem kalte Temperaturen können ebenfalls die Ursache dafür sein, dass das Gerät nicht richtig arbeitet.
- Stellen Sie das Gerät nicht an feuchten Orten auf.
- Verbinden Sie den Weintemperierschrank mit einer einzelnen, richtig geerdeten Wandsteckdose. Schneiden Sie unter keinen Umständen den (dritten) Erdungsstift vom Stecker ab: entfernen Sie ihn niemals! Wenden Sie sich mit Fragen zur Stromversorgung und/oder der Erdung an einen qualifizierten Elektriker oder den autorisierten Kundendienst.

➤ Achtung

- Wein in verschlossenen Flaschen aufbewahren;
- Schrank nicht überladen;
- Tür nur öffnen, wenn es notwendig ist;
- Einlegeböden nicht mit Alufolie oder anderem Material abdecken, das die Luftzirkulation behindern könnte;
- Sollte der Weintemperierschrank längere Zeit nicht benutzt werden, empfiehlt es sich, nach einer sorgfältigen Reinigung die Tür einen Spalt offen zu lassen, damit die Luft im Inneren des Gehäuses zirkulieren kann, und um eine mögliche Bildung von Kondenswasser, Schimmel oder Gerüchen zu vermeiden.

➤ Grenzwerte für die Raumtemperatur





Dieses Gerät ist für den Betrieb bei Umgebungstemperaturen ausgelegt, die durch die auf dem Typenschild angegebene Temperaturklasse angegeben sind.

- Subnormal (SN): „Dieses Kühlgerät ist für die Verwendung bei einer Umgebungstemperatur zwischen 10°C und 32°C ausgelegt“.
- Normal (N): „Dieses Kühlgerät ist für die Verwendung bei einer Umgebungstemperatur zwischen 16°C und 32°C ausgelegt“.
- Subtropisch (ST): „Dieses Kühlgerät ist für die Verwendung bei einer Umgebungstemperatur zwischen 16°C und 38°C ausgelegt“.



BETRIEB IHRES WEIN-/GETRÄNKEKÜHLSCHRANKS UND EINSTELLEN DER TEMPERATURREGELUNG

➤ Anweisung für das Bedienfeld





- **Taste „“**
Schalten Sie zur Bedienung das Gerät ein/aus (halten Sie diese Tasten ca. 3 Sekunden lang gedrückt).
- **Taste „“**
Schalten Sie das Innenlicht über diese Taste ein/aus.
- **Taste „“**
Dient zur Erhöhung (Erwärmung) der Temperatur in Schritten von 1°C.
- **Taste „“**
Dient zum Absenken (Kühlen) der Temperatur in Schritten von 1°C.
- **„o“**
Die Kontrollleuchte zeigt an, dass gerade der Kühlmodus läuft.
- **„DISPLAY“**
Zeigt die eingestellte Temperatur an.

➤ Einstellen der Temperaturregelung

Stellen Sie die gewünschte Kühltemperatur ein, indem Sie die Tasten neben den Anzeigen „“ oder „“ drücken. Mit jedem Druck auf die Tasten werden die verfügbaren Temperatureinstellungen in Schritten von 1°C durchlaufen.

Die Temperatur kann von 5°C bis 18°C eingestellt werden.

Wenn Sie sich die aktuelle Innentemperatur anzeigen lassen möchten, halten Sie die Taste „“ oder „“ drei Sekunden lang gedrückt, die LED blinkt und zeigt die aktuelle Temperatur an. Wenn Sie die Taste fünf Sekunden lang nicht mehr drücken, hört die LED-Anzeige auf zu blinken und kehrt dann zur Anzeige der eingestellten Temperatur zurück.

Blinkende LED = Kühlschrankschranktemperatur

Leuchtende LED = eingestellte Temperatur

➤ Temperaturalarm

Wenn die Innentemperatur über 23°C liegt, wird auf dem Display „HI“ angezeigt, und nach einer Stunde ertönt der Alarm/Summer. Dies bedeutet, dass die Temperatur im Inneren zu hoch ist. Wenn die Innentemperatur unter 0°C liegt, erscheint auf dem Anzeigefeld die Meldung „LO“ und gleichzeitig ist die Alarm- und Störungsanzeige aktiv.

➤ **Temperatur-Speicherfunktion**

Bei einem Stromausfall kann der Weintemperierschrank die vorherigen Temperatureinstellungen speichern, und wenn die Stromversorgung wiederhergestellt ist, wird die Temperatur auf die gleiche Temperatur wie zuvor eingestellt.

➤ **Innenlicht**

Um den Energieverbrauch zu senken, schaltet dieser Weintemperierschrank die LED-Beleuchtung nach 10 Minuten automatisch ab.

Wenn Sie möchten, dass das LED-Licht anbleibt, ist dies möglich. Halten Sie dazu die Taste „LICHT“ 5 Sekunden lang gedrückt, auf dem Display wird „LP“ angezeigt. Nach 4 Sekunden kehrt die Anzeige in den Normalzustand zurück und das Licht bleibt so lange an, bis es manuell ausgeschaltet wird.

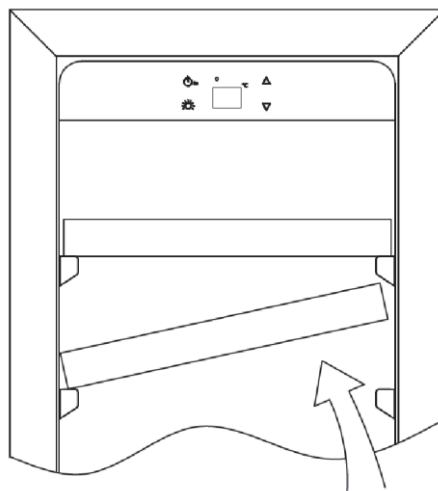
Wenn Sie den Normalzustand wiederherstellen möchten, um Energie zu sparen (empfohlen), halten Sie die Taste „LICHT“ 5 Sekunden lang gedrückt. Auf dem Display wird „LF“ angezeigt. Nach vier Sekunden ist es wieder normal und das Licht geht automatisch nach 10 Minuten aus.

➤ **Einlegeböden**

- Um eine Beschädigung der Türdichtung zu vermeiden, muss die Tür ganz geöffnet sein, wenn Sie die Einlegeböden aus den Führungsschienen herausziehen.
- Für einen einfachen Zugriff auf den Inhalt müssen Sie die Regalböden etwa 1/3 aus den Führungsschienen herausziehen. Dieses Gerät wurde mit einer Einkerbung auf beiden Seiten der Regalschienen versehen, um zu verhindern, dass Flaschen herunterfallen.
- Wenn Sie einen dieser Einlegeböden aus der Schienenführung herausnehmen möchten, kippen Sie den Einlegeboden gemäß der Abbildung und ziehen Sie ihn einfach heraus oder schieben Sie ihn hinein, bis er sicher auf den Halteklammern sitzt.

➤ **HINWEIS:**

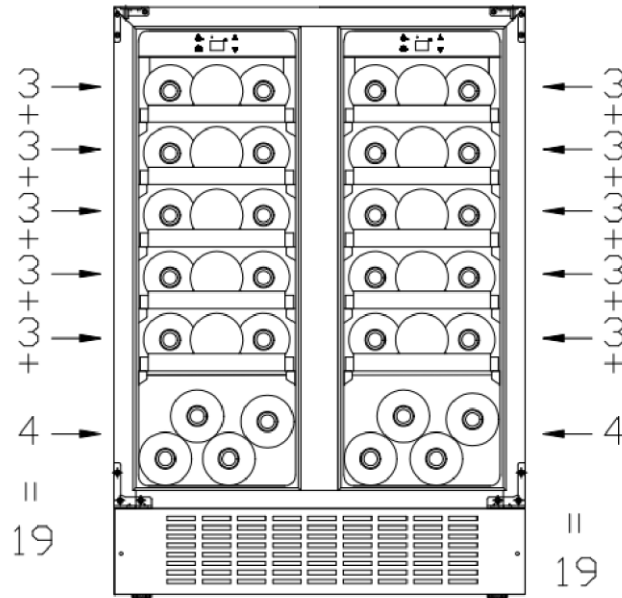
- Nach dem Ziehen des Gerätesteckers, einer Stromunterbrechung oder der Abschaltung müssen Sie vor dem erneuten Einschalten 3 bis 5 Minuten warten. Wenn diese Verzögerungszeit nicht eingehalten wird, schaltet sich der Wein-/Getränkekühlschrank ggf. nicht ein.
- Wenn Sie den Weinkühler/Getränkekühler zum ersten Mal in Betrieb nehmen oder den Weinkühler/Getränkekühler nach längerem Stillstand wieder einschalten, kann es zu einer Abweichung von einigen Grad zwischen der von Ihnen gewählten und der auf der LED-Anzeige angezeigten Temperatur kommen. Das ist normal und hängt mit der Länge der Aktivierungszeit zusammen. Sobald der Wein-/Getränkekühlschrank ein paar Stunden in Betrieb ist, ist alles wieder normal.



➤ **Beladungsdiagramm**

Je nach der tatsächlichen Konfiguration Ihres Produkts informieren Sie sich über das entsprechende Beladungsdiagramm.

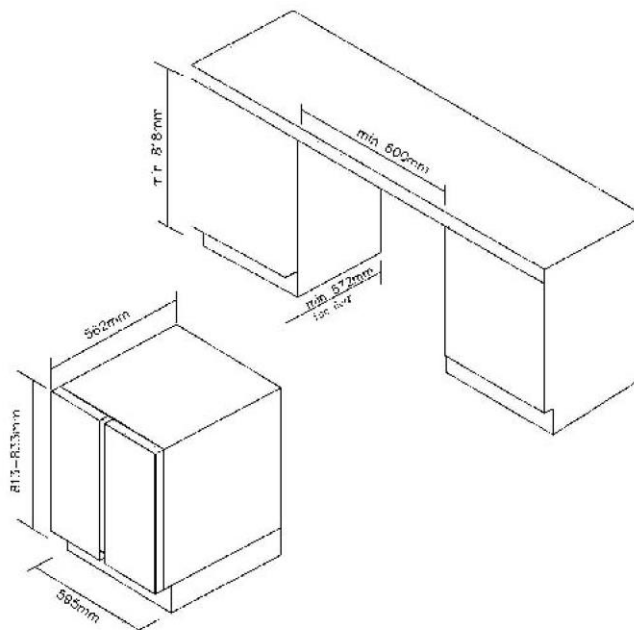
Insgesamt: 38 Flaschen (Max)



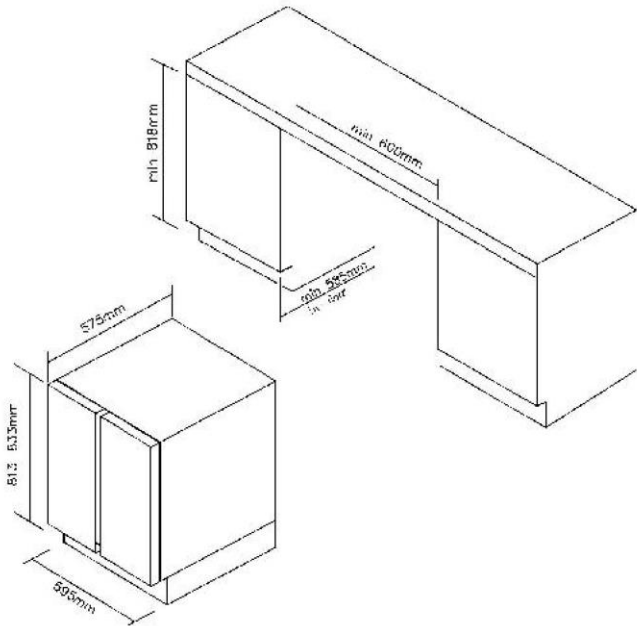
Die energiesparendste Konfiguration erfordert den Einsatz von Regalböden im Produkt, siehe die obigen Bilder.

➤ **Einbauspezifikationen für Einbauzwecke**

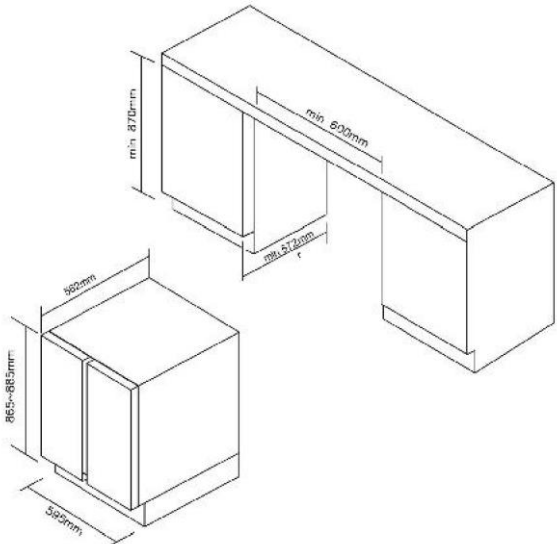
Für Höhe 813 mm mit Vollglas/Edelstahltür



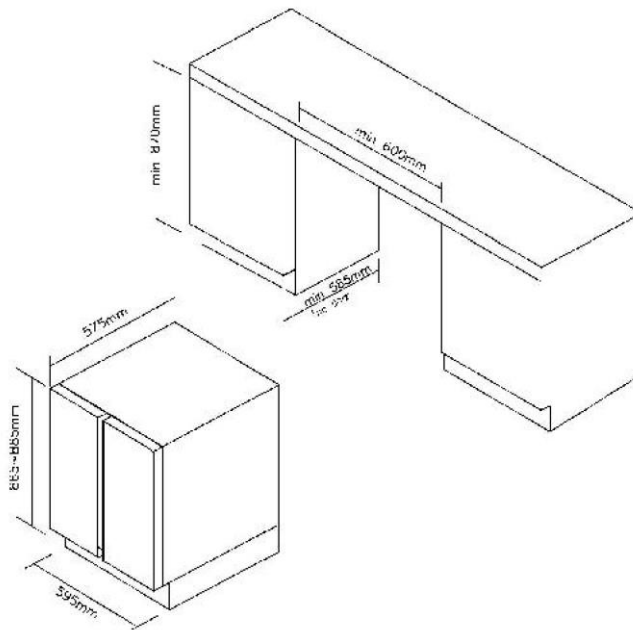
Für Höhe 813 mm mit schmaler Edelstahltür



Für Höhe 865 mm mit Vollglas/Edelstahltür



Für Höhe 865 mm mit schmaler Edelstahltür



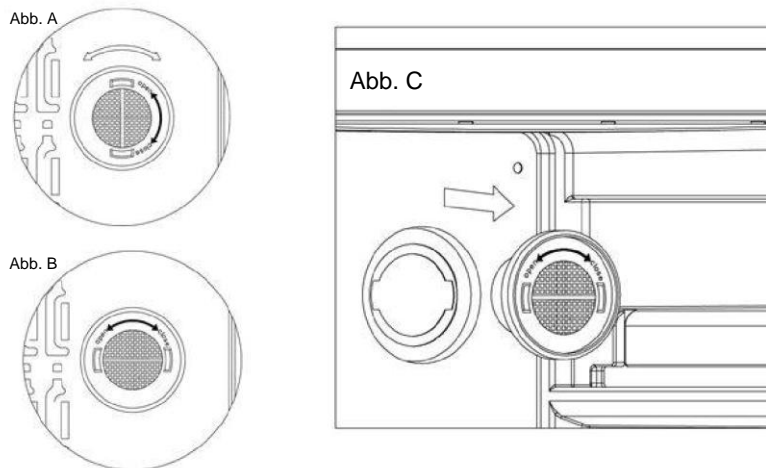
PFLEGE UND REINIGUNG

➤ Reinigung Ihres Wein-/Getränkekühlschranks

- Schalten Sie das Gerät aus, ziehen Sie den Netzstecker und entfernen Sie alle Gegenstände, einschließlich der Einlegeböden und des Regals.
- Waschen Sie den Innenraum mit warmem Wasser und einer Natronlösung aus. Das Mischungsverhältnis ist circa 2 Esslöffel Natron und ein Viertel Wasser.
- Reinigen Sie die Regalflächen mit einem milden Reinigungsmittel.
- Wringen Sie überschüssiges Wasser aus dem Schwamm oder Tuch aus, wenn Sie die Flächen um die Regler oder andere elektrischen Teile reinigen.
- Waschen Sie die Außenfläche des Gerätes mit warmem Wasser und einer Natronlösung ab. Wischen Sie die Mischung gut ab und trocknen Sie die Flächen mit einem sauberen, weichen Tuch ab.

➤ **Auswechseln des Aktivkohlefilters (falls in Ihrem Gerät vorhanden)**

- Die Aktivkohlefilter befinden sich in der oberen linken Ecke jeder Kühlschrankzone.
- Öffnen Sie die Tür und nehmen Sie die oberen 2 Einlegeböden heraus (siehe Herausnehmen der Einlegeböden).
- Drehen Sie den Filter wie in Abb. A dargestellt.
- Wie in Abb. B dargestellt, sollte der Filter wie gezeigt mit den Kerben übereinstimmen.
- Ziehen Sie den Filter heraus (Abb. C).
- Setzen Sie den Ersatzfilter ein und drehen Sie ihn wie in Abb. A dargestellt, um ihn zu verriegeln.
- Setzen Sie die Einlegeböden wieder ein.



➤ **Stromausfall**

- Die meisten Stromausfälle dauern nur wenige Stunden und sollten sich somit nicht auf die Temperatur Ihres Gerätes auswirken, sofern Sie die Tür möglichst wenig öffnen. Wenn der Strom jedoch über einen längeren Zeit ausfallen sollte, dann müssen Sie den Inhalt entsprechend schützen.

➤ **Urlaubszeit**

- **Kurze Abwesenheit:** Bei weniger als drei Wochen Abwesenheit können Sie den Kühlschrank in Betrieb lassen.
- **Lange Abwesenheit:** Wenn das Gerät mehrere Monate lang nicht benutzt wird, nehmen Sie alles heraus und schalten Sie das Gerät aus. Reinigen Sie den Innenraum gründlich und trocknen Sie ihn. Lassen Sie die Tür leicht offen, um zu verhindern, dass sich Schimmel oder schlechte Gerüche bilden: blockieren Sie dazu ggf. die Tür.

➤ **Umzug Ihres Weintemperierschranks**

- Alles herausnehmen.
- Befestigen Sie alle losen Teile (Regalböden) im Inneren des Geräts mit Klebeband.
- Drehen Sie den verstellbaren Fuß ganz ein, um Beschädigungen zu vermeiden.
- Kleben Sie die Tür zu.
- Achten Sie darauf, das Gerät immer aufrecht zu transportieren. Schützen Sie auch die Außenseite des Geräts mit einer Decke oder Ähnlichem.

➤ **Energiespartipps**

- Der Weintemperierschrank sollte im kühlestem Bereich des Raumes stehen, entfernt von Heizgeräten und -rohren und nicht bei direkter Sonneneinstrahlung.

PROBLEME MIT IHREM WEIN-/GETRÄNKEKÜHLSCHRANK?

Sie können viele gängige Probleme mit Wein-/Getränkekühlschränken leicht selber lösen und so die Kosten für einen möglichen Serviceeinsatz sparen. Versuchen Sie, ob Sie das Problem mithilfe der nachstehenden Empfehlungen selbst lösen können, bevor Sie einen Techniker rufen.

LEITFADEN ZUR FEHLERBEHEBUNG

STÖRUNG	MÖGLICHE URSACHE
Der Wein-/Getränkekühlschrank funktioniert nicht.	Nicht eingesteckt. Das Gerät ist ausgeschaltet. Schutzschalter ausgelöst oder durchgebrannte Sicherung.
Der Wein-/Getränkekühlschrank ist nicht kalt genug.	Überprüfen Sie die Einstellung der Temperaturregelung. Die äußere Umgebung kann eine höhere Einstellung erfordern. Tür zu häufig geöffnet. Tür nicht richtig geschlossen. Türdichtung dichtet nicht richtig.
Häufiges Ein- und Ausschalten.	Die Raumtemperatur ist höher als gewöhnlich. Es wurden viele neue Flaschen in den Wein-/Getränkekühlschrank gelegt. Tür zu häufig geöffnet. Tür nicht richtig geschlossen. Temperaturregler nicht richtig eingestellt. Türdichtung dichtet nicht richtig.
Das Licht funktioniert nicht.	Nicht eingesteckt. Schutzschalter ausgelöst oder durchgebrannte Sicherung. Die Glühbirne ist durchgebrannt. Die Lichttaste ist „AUS“.
Vibrationen.	Vergewissern Sie sich, dass der Wein-/Getränkekühlschrank in der Waage steht.
Der Wein-/Getränkekühlschrank scheint zu viel Lärm zu machen.	Ein ratterndes Geräusch kann auf dem Kühlmittelfluss zurückzuführen sein, und das ist normal. Am Ende jedes Zyklus hören Sie ggf. gurgelnde Geräusche, die auf den Kühlmittelfluss im Gerät zurückzuführen sind. Die Innenwände ziehen sich zusammen und dehnen sich aus, das kann knallende oder reißenartige Geräusche nach sich ziehen. Der Wein-/Getränkekühlschrank ist nicht in der Waage.
Die Tür schließt nicht richtig.	Der Wein-/Getränkekühlschrank ist nicht in der Waage. Die Tür wurde versetzt, jedoch nicht richtig montiert. Die Dichtung ist verschmutzt. Die Regale sind nicht richtig positioniert.

Um den technischen Kundendienst zu kontaktieren, besuchen Sie unsere Website: <https://corporate.haier-europe.com/en/> Wählen Sie im Abschnitt „Website“ die Marke Ihres Produkts und Ihr Land aus. Sie werden auf die entsprechende Website weitergeleitet, auf der Sie die Telefonnummer und das Formular zur Kontaktaufnahme mit dem technischen Kundendienst finden.

Verfügbarkeit von Ersatzteilen

- Thermostate, Temperatursensoren, Leiterplatten und Leuchtmittel sind für einen Zeitraum von mindestens sieben Jahren nach Inverkehrbringen des letzten Gerätes des Modells erhältlich.
- Türgriffe, Türscharniere, Auszüge und Schubladen für eine Mindestdauer von sieben Jahren und Türdichtungen für eine Mindestdauer von 10 Jahren, nachdem das letzte Gerät des Modells in Verkehr gebracht wurde.

Empfohlene TEMPERATUREINSTELLUNGEN

Für die Lagerung ALLER ARTEN von Weinen **12°C bis 14°C**

Empfohlene Trinktemperatur

Champagner NV, Schaumwein **6°C**

Champagner Jahrgang **10°C**

Trockener weißer Semillon, Sauvignon Blanc **8°C**

Trockener weißer Gewürztraminer, Riesling **10°C**

Weißer Chardonnay trocken **10°C**

Chardonnay Jahrgangswein **14°C**

Süßer weißer Sauternes Monbazillac, Spätlese-Eiswein **10°C**

Süße Weißweine Jahrgang Sauternes **14°C**

Beaujolais **13°C**

Roter Pinot Noir **16°C**

Weinlese Pinot Noir rot **18°C**

Roter Cabernet, Merlot, Französisch, Australisch, Neuseeländisch, Chilenisch, Argentinisch, Italienisch, Spanisch, Kalifornisch **18°C**

Grenache rot, Syrah **16°C**

Weitere Informationen zum Produkt finden Sie unter <https://eprel.ec.europa.eu/> oder scannen Sie den QR-Code auf dem Energielabel, das dem Gerät beiliegt.

