

HOOVER

HOBS

USER INSTRUCTIONS _____

GB - IE

PIANI COTTURA

ISTRUZIONI D'USO E DI INSTALLAZIONE _____

IT

TABLE DE CUISSON

NOTICE D'EMPLOI ET D'INSTALLATION _____

FR

KOCHMULDE

GEBRAUCHS - UND INSTALLATIONSANWEISUNGEN _____

DE

PLACAS

MANUAL DE INSTRUCCIONES _____

ES

PLACAS

MANUAL DE INSTRUÇÕES _____

PT

OCAK

KULLANIM KLAVUZU _____

TR

VARNÉ DESKY

NAVOD POUŽITÍ _____

CZ

ВСТРАИВАЕМЫЕ ВАРОЧНЫЕ ПОВЕРХНОСТИ

ИНСТРУКЦИИ ПО ЭКСПЛУАТАЦИИ И УСТАНОВКЕ _____

RU

PŁYTY

INSTUKCJE DLA UŻYTKOWNIKA _____

PL

CONTENT**GB - IE**

1. Instructions For The Installer	05
1.1. Building In	05
1.2. Suitable Location	05
2. Electrical Connection (For U.K. Only)	05
2.1. Electrical Connection	05
2.2. Gas Connection	05
3. Use Of Hob - User Instructions	07
3.1. Using The Gas Burner	07
4. Maintenance and Cleaning	07
5. Aftercare	07
6. Protection Of The Environment	07
7. Declaration of compliance	07
Gas Type Tables	35

INHALT**DE**

1. Installationsanweisung	14
1.1 Einbau.....	14
1.2. Geeigneter Standort	14
2.1. Elektrischer Anschluss.....	14
2.2. Gasanschluss	14
3. Bedienungsanleitung	15
3.1. Inbetriebnahme Der Brenner	15
4. Wartung Und Reinigung	15
5. Technischer Kundendienst	16
6. Umweltgerechte Entsorgung	16
7. Konformitätserklärung	16
Gastypen-Tabelle	35

INDICE**IT**

1. Istruzioni Per L'installatore	08
1.1. Installazione	08
1.2. Locazioni Consigliate	08
2.1. Connessione Elettrica	08
2.2. Connessione Gas	08
3. Uso Del Piano - istruzioni Utente	09
3.1. Uso Del Bruciatore Gas	09
4. Manutenzione E Pulizia	09
5. Ripristino	10
6. Rispetto Dell'ambiente	10
7. Dichiarazione di conformità	10
Tabella tipi di gas	35

CONTENIDO**ES**

1. Instrucciones Para El Instalador	17
1.1 Integración	17
1.2 Ubicación Ideal	17
2.1 Conexión Eléctrica	17
2.2 Conexión Del Gas	17
3. Utilización De La Placa Instrucciones Para El Usuario	18
3.1 Utilización Del Quemador De Gas	18
4. Mantenimiento Y Limpieza	18
5. Servicio Técnico	19
6. Protección Del Medioambiente	19
7. Declaración de conformidad	19
Tipo de gas Tablas.....	35

CONTENU**FR**

1. Installation	11
1.1 Encastrement	11
1.2. Caracteristiques Requises	11
2.1. Raccordement Electrique	11
2.2. Raccordement Gaz	11
3. Utilisation De La Table	12
3.1. Using The Gas Burner	12
4. Maintenance Et Entretien	12
5. Assistance Technique	13
6. Protection De L'environnement	13
7. Déclaration de conformité	13
des tables gaz	35

INDICE**PT**

1. Instruções para o instalador	20
1.1. Preparação	20
1.2. Localização adequada	20
2.1. Ligação eléctrica	20
2.2. Ligação à rede de gás	20
3. Utilização da placa – Instruções para o utilizador	21
3.1. Como utilizar o queimador de gás	21
4. Manutenção e limpeza	21
5. Antes de chamar a assistência técnica	22
6. Protecção do ambiente	22
7. Declaração de conformidade	22
Tabelas dos tipos de gás	35

İÇİNDEKİLER**TR**

1. Kurulum Talimatları	23
1.1. Ankastre Montaj	23
1.2. Uygun Yer Tespiti	23
2.1. Elektrik Bağlantısı	23
2.2. Gaz Bağlantısı	23
3. Ocak Kullanımı Kullanım Talimatları	24
3.1. Gazlı Ocak Gözlerinin Kullanımı	24
4. Bakım Ve Temizlik	25
5. Satış Sonrası Servis	25
6. Çevrenin Korunması	25
7. Uygunluk Beyanı	25
Gaz Tipi Tablosu	35

SPIS TREŚCI**PL**

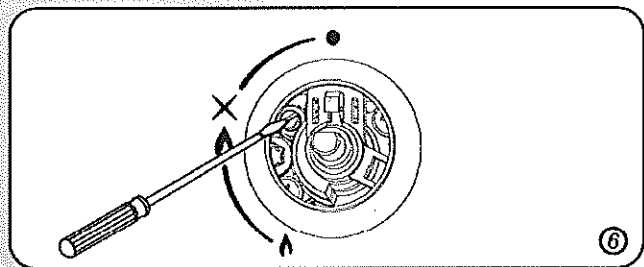
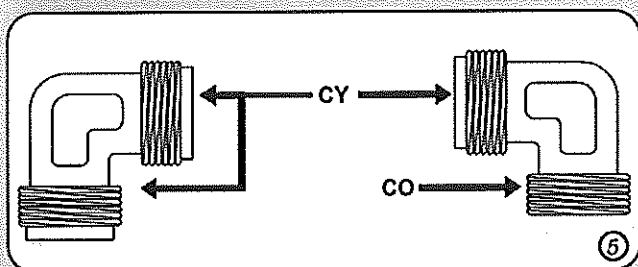
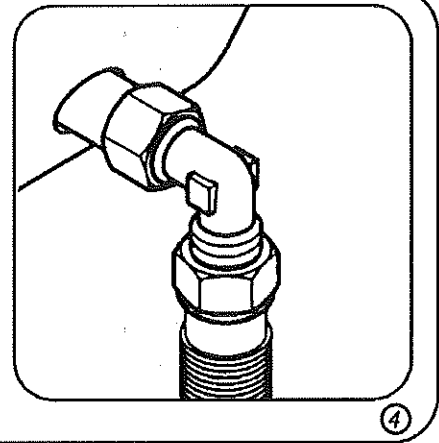
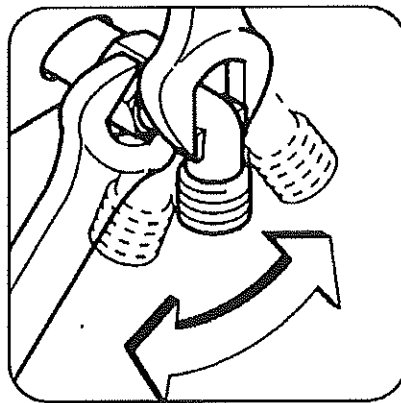
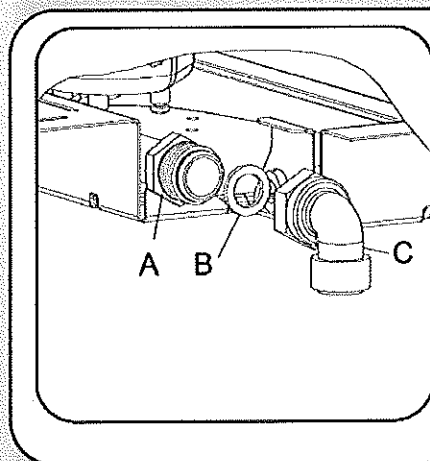
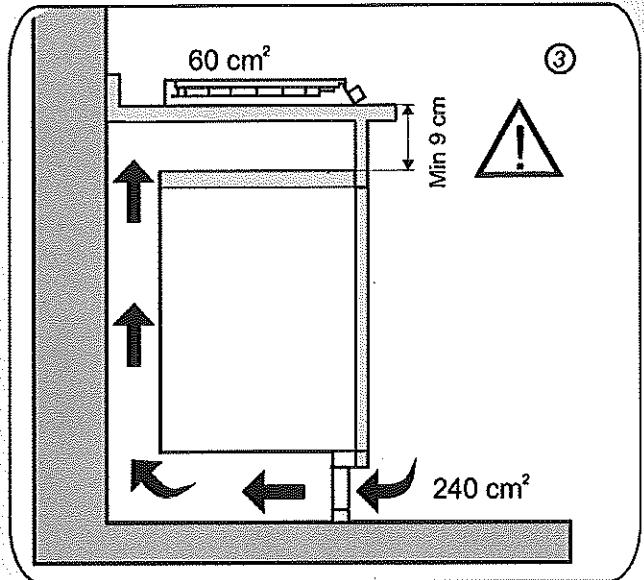
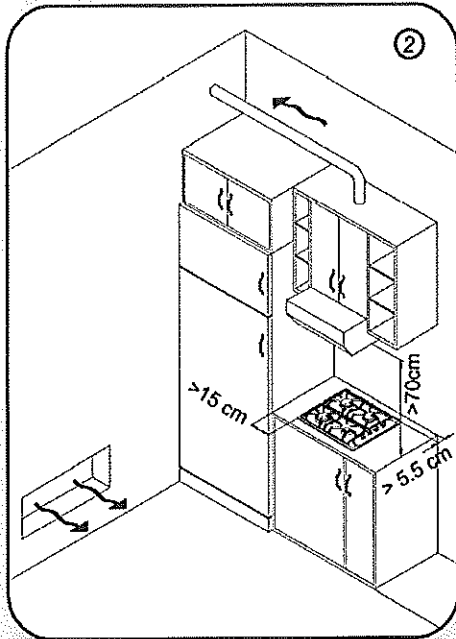
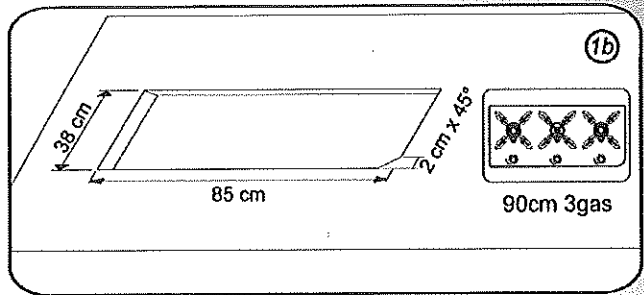
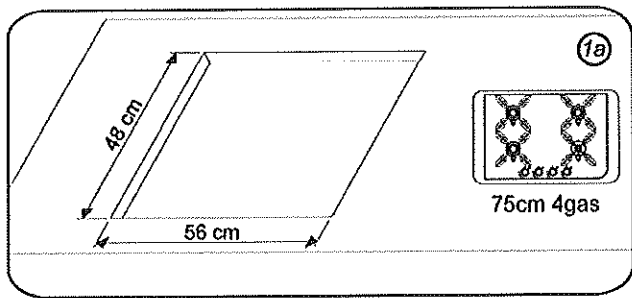
1. Instrukcje dla instalatora	32
1.1. Zabudowa	32
1.2. Odpowiednie pomieszczenie	32
2.1. Podłączenie do sieci elektrycznej	32
2.2. Podłączenie do gazu	32
3. Użytkowanie płyty instrukcje dla użytkownika	33
3.1. Używanie palników gazowych	33
4. Czyszczenie i konserwacja	33
5. Obsługa serwisowa	34
6. Ochrona środowiska	34
7. Deklaracja zgodności	34
Tablice rodzaj gazu	35

OBSAH**CZ**

1. Pokyny pro instalatéra	26
1.1. Vestavba	26
1.2. Vhodné místo instalace	26
2.1. Připojení k elektrické síti	26
2.2. Připojení plynu	26
3. Použití varné desky	27
3.1. Použití plynového hořáku	27
4. Údržba a čištění	28
5. Servis	28
6. Ochrana životního prostředí	28
7. Prohlášení o shodě	28
tabulky typů plynu	35

СОДЕРЖАНИЕ**RU**

1. Инструкции по выполнению установки	29
1.1. Встраиваемые варочные поверхности	29
1.2. Выбор места для установки варочной поверхности	29
2.1. Подключение к электросети	29
2.2. Подключение к линии газоснабжения (только для Великобритании)	29
3. Инструкции по эксплуатации варочной поверхности	30
3.1 использование газовой конфорки	30
4. Обслуживание и чистка	30
5. Послепродажное обслуживание	31
6. Защита окружающей среды	31
7. Декларация соответствия	31
Таблицы типов газа	35



1. INSTRUCTIONS FOR THE INSTALLER

INSTALLING A DOMESTIC APPLIANCE CAN BE A COMPLICATED OPERATION WHICH IF NOT CARRIED OUT CORRECTLY, CAN SERIOUSLY AFFECT CONSUMER SAFETY. IT IS FOR THIS REASON THAT THE TASK SHOULD BE UNDERTAKEN BY A PROFESSIONALLY QUALIFIED PERSON WHO WILL CARRY IT OUT IN ACCORDANCE WITH THE TECHNICAL REGULATIONS IN FORCE. IN THE EVENT THAT THIS ADVICE IS IGNORED AND THE INSTALLATION IS CARRIED OUT BY AN UNQUALIFIED PERSON, THE MANUFACTURER DECLINES ALL RESPONSIBILITY FOR ANY TECHNICAL FAILURE OF THE PRODUCT WHETHER OR NOT IT RESULTS IN DAMAGE TO GOODS OR INJURY TO INDIVIDUALS.

1.1. BUILDING IN

The hob may be installed in any work top which is heat resistant to a temperature of 100°C, and has a thickness of 25-45 mm. The dimensions of the insert to be cut out of the work top are shown in *Figure 1*.

If the Hob is fitted next to a cabinet on either side, the distance between the hob and the cabinet must be at least 15 cm; while the distance between the hob and the rear wall must be at least 5,5 cm (*Figure 2*).

The distance between the hob and any other unit or appliance above it (e.g. An extractor hood) must be no less than 70 cm. When there is an accessible space between the built-in hob and the cavity below, a dividing wall made of insulating material should be inserted (wood or a similar material). *Figure 3*

A watertight seal is supplied with the hob

Warning: it is not allowed to install a hob above an oven.

1.2. SUITABLE LOCATION

This appliance must be installed in accordance with applicable regulations and should only be used in well-ventilated locations. Before using this appliance carefully study the instruction book.

A gas-powered cooking appliance produces heat and humidity in the area in which it is installed. For this reason you should ensure good ventilation either by keeping all natural air passages open or by installing an extractor hood with an exhaust flue. Intensive and prolonged use of the appliance may require extra ventilation, such as the opening of a window or an increase in speed of the electric fan, if you have one.

If a hood can not be installed, an electric fan should be fitted to an outside wall or window as long there are air vents in the area. The electric fan should be able to carry out a complete change of air in the kitchen 3-5 times every hour. The installer should follow the relevant national standards.

2. ELECTRICAL CONNECTION (FOR U.K. ONLY)

Warning this appliance must be earthed

This appliance is designed for domestic use only. Connection to the main supply must be made by a competent electrician, ensuring that all current regulations concerning such installations are observed.

The appliance must only be connected to a suitably rated spur point, a 3 pin 13 amp plug/socket is not suitable. A double pole switch must be provided and the circuit must have appropriate fuse protection. Further details of the power requirement of the individual product will be found in the Table B and on the appliance rating plate. You are advised, should you wish to use a longer cable than the one supplied, that a suitably rated heat resistant type must be used.

The wiring must be connected to the mains supply as follows:

CONNECT TO SPUR TERMINAL

Green & Yellow Wire	Earth Connection
Blue Wire	Neutral Connection
Brown Wire	Live Connection

Note: We do not advocate the use of earth leakage devices with electric cooking appliances installed to spur points because of the «nuisance tripping» which may occur. You are again reminded that the appliance must be correctly earthed, the manufacturer declines any responsibility for any event occurring as a result of incorrect electrical installation.

2.1. ELECTRICAL CONNECTION

Check the data on the rating plate, located on the outside of the unit, to ensure that the supply and input voltage are suitable. Before connection, check the earthing system.

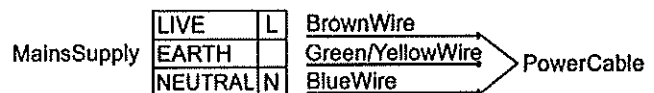
By Law, this appliance must be earthed. If this regulation is not complied with, the Manufacturer will not be responsible for any damage caused to persons or property. If a plug is not already attached, fit a plug appropriate to the load indicated on the rating plate. The earth wire is coloured yellow/green. The plug should always be accessible.

Where the hob is connected direct to the electricity supply, a circuit breaker must be fitted.

If the power supply cord is damaged this is to be replaced by a qualified engineer so as to prevent any potential risk.

When replacing the cable, you should use a cable of the same features as the original

The earth wire (green and yellow coloured) must be at least 10 mm longer than the live and neutral wires.



2.2. GAS CONNECTION

These instructions are for qualified personnel, installation of equipment must be in line with the relevant national standard. (For U.K. only: by law the gas installation/commissioning must be carried out by a "Gas Safe" Installer)

All work must be carried out with the electricity supply disconnected.

The rating plate on the hob shows the type of gas with which it is designed to be used. Connection to the mains gas supply or gas cylinder should be carried out after having checked that it is regulated for the type of gas with which it will be supplied.

Use only pipes, washers and sealing washers which comply with the relevant national standards.

For some models a conic link is furnished to outfit for the installation in the countries where this type of link is obligatory; in *Figure 5* it is pointed out how to recognize the different types of links (CY = cylindrical, CO = conic). In every case the cylindrical part of the link has to be connected to the hob.

When connecting the hob to the gas supply via use of flexible hoses please ensure that the maximum distance covered by the hose does not exceed 2 metres.

To prevent any potential damage to the hob please carry out the installation following this sequence (*Figure 4*):

1) As illustrated, assemble parts in sequence:

- A: 1/2 Male Adaptor Cylindrical,
- B: 1/2 Seal,
- C: 1/2 Female Gas Adaptor Conical-Cylindrical or Cylindrical-Cylindrical

2) Tighten the joints with the spanner, remembering to place the pipes into position.

3) Attach fitting C to mains gas supply using rigid copper pipe or flexible steel pipe.

IMPORTANT: carry out a final check for leaks on the pipe connections using a soapy solution. **NEVER USE A FLAME.** Also, make sure that the flexible pipe cannot come into contact with a moving part of the cabinet (eg, drawer) and that it is not situated where it could be damaged.

Warning: If gas can be smelt in the vicinity of this appliance turn off the gas supply to the appliance and call the engineer directly. Do not search for a leak with a naked flame.

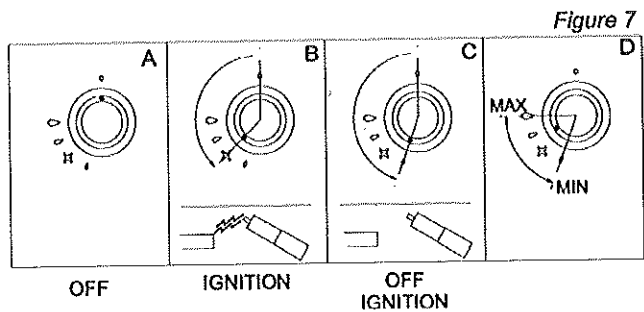
3. USE OF HOB USER INSTRUCTIONS

This appliance must only be used for the purpose for which it is intended, domestic cooking, and any other use will be considered improper and could therefore be dangerous. The Manufacturer will not be responsible for any damage or loss resulting from improper use.

This appliance is not intended for use by persons (including children) with reduced physical, sensory or mental capabilities, or lack of experience and knowledge, unless they have been given supervision or instruction concerning use of the appliance by a person responsible for their safety. Children should be supervised to ensure that they do not play with the appliance.

3.1. USING THE GAS BURNER

For ignition simply push in and turn the knob to the ignition symbol. If the burners have not been used for a couple of days, wait for a few seconds before lighting the burner, this will allow any air present in the pipes to escape. The ignition system will start to generate spark. When the flame will light, **keep the knob pressed in for 5 or 6 seconds** more than rotate the Knob to the minimum position to switch off the ignition system, than regulate the power of the flame. *Figure 7*



If the burner does not ignite within 3 seconds, or is accidentally extinguished, turn the knob to the 0 position, wait one minute, and repeat the operation.

ATTENTION:

Prior to switching on the gas hob ensure that the burners and burner caps are correctly placed within their position.

GENERAL ADVISE

For best results, use cooking vessels with a flat surface. The size of the surface should match the gas burner size as follows.

Table A

75 cm 4 gas

Burner Type	Ø pan / pot (cm)
A Auxillary Burner	8 - 18
R front Rapid Burner	18 - 26
R back Rapid Burner	18 - 22
UR Ultra Rapid Burner	18 - 22

90 cm 3 gas

Burner Type	Ø pan / pot (cm)
A Auxillary Burner	8 - 18
R Rapid Burner	18 - 26
UR Ultra Rapid Burner	18 - 26

For burners Lay-out see Pag 34

Don't use pan or pot that go out of the maximum dimensions of the product.

For smaller containers the gas burner should be regulated so that the flame does not overlap the base of the pan. Vessels with a concave or convex base should not be used.

WARNING: If a flame is accidentally extinguished, turn the knob to the off position and do not attempt to re-ignite if for at least 1 minute.

If over the years the gas taps become stiff to turn it is necessary to lubricate them.

Such operation must be carried out only by qualified Service Engineers.

4. MAINTENANCE AND CLEANING

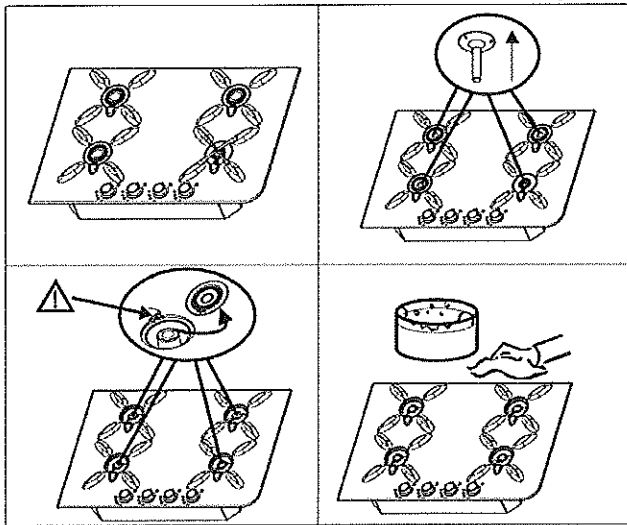
Before cleaning the hob, ensure the appliance has cooled down. Remove the plug from the socket or (if connected directly) switch off the electricity supply.

Never use scouring pads, sharp objects, abrasives, corrosive detergents, bleaching agents or acids. Avoid any acid or alkaline substances (lemon, juice, vinegar Etc.) on the enamelled, varnished or stainless steel sections.

The burners can be cleaned in dishwasher and the plate with soapy water.

WARNING: Do not use a steam cleaner to clean the hob
It is important the Burners are replaced correctly.

Figure 8



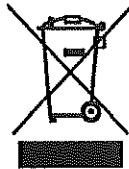
5. AFTERCARE

Before calling out a Service Engineer please check the following:

- that the plug is correctly inserted and fused;
- that the gas supply is not faulty.

If the fault cannot be detected: Switch off the appliance and call the After Service Centre. **DO NOT TAMPER WITH THE APPLIANCE.**

6. PROTECTION OF THE ENVIRONMENT



This appliance is marked according to the European directive 2002/96/EC on Waste Electrical and Electronic Equipment (WEEE).

By ensuring this product is disposed of correctly, you will help prevent potential negative consequences for the environment and human health, which could otherwise be caused by inappropriate waste handling of this product.

The symbol on the product indicates that this product may not be treated as household waste. Instead it shall be handed over to the applicable collection point for the recycling of electrical and electronic equipment.

Disposal must be carried out in accordance with local environmental regulations for waste disposal.

For more detailed information about treatment, recovery and recycling of this product, please contact your local city office, your household waste disposal service or the shop where you purchased the product.

7. DECLARATION OF COMPLIANCE

This equipment, in the parts intended to come into contact with food, complies with the regulations laid down in EEC directives 89/109.



Appliance complies with European Directives 73/23/EEC and 89/336/EEC, replaced by 2006/95/EC and 2004/108/EC, and subsequent amendments.

The Manufacturer will not be responsible for any inaccuracy resulting from printing or transcript errors contained in this brochure. We reserve the right to carry out modifications to products as required, including the interests of consumption, without prejudice to the characteristics relating to safety or function.

Table B

BUILT IN HOBS		
Burner	1	2
	4 gas UR / R / R / A	3 gas UR / R / A
Type / reference	FLAT75	FALT90
Flame failure device	YES	YES
Auxiliary burner (A Ø 85 mm)	1	1
Rapid burner (R Ø 85 mm)	2	1
Ultra Rapid burner (UR Ø 85 mm)	1	1
Installed Gas Type / Power:		
Power	9.10 kW	6.60 kW
G 20/20 mbar (methane)	867L/h	629 L/h
Installation Class	3	3
Voltage / Frequency V / Hz	220-240 V / 50 Hz	220-240 V / 50 Hz
Electrical input power	15 W	15 W
Electric ignition	YES	YES
Product dimension	750 x 510	900 x 400

This appliance has been designed only for domestic use.