



GENERATION FUTURE

HURRICANE



USER INSTRUCTIONS



IMPORTANT SAFETY REMINDERS

User's manual - This cleaner should only be used for its intended purpose as described in these instructions. Ensure that these are fully understood before operating this appliance.

Only use attachments recommended or supplied by Hoover.

When using cleaning tools ensure that the cleaner is kept in the upright (parked) position. This will avoid possible damage to the carpet or floor covering. When cleaning stairs DO NOT position the cleaner above you.

STATIC ELECTRICITY. Some carpets can cause a small build up of static electricity. Any static discharge is not hazardous to health.

DO NOT use your cleaner out of doors or on any wet surface or for wet pick up.

Keep hands, feet, loose clothing and hair away from rotating brushes.

DO NOT pick up hard or sharp objects, matches, hot ashes, cigarette ends or other similar items.

DO NOT pick up flammable liquids such as cleaning fluids, petrol etc. or their vapours.

Aerosol sprays may be flammable. DO NOT spray near cleaner.

SUPPLY CORD. DO NOT run over the supply cord when using your cleaner or remove the plug by pulling on the supply cord.

FAULTS. DO NOT continue to use your cleaner if it appears to be faulty. If the supply cord is damaged stop using the cleaner IMMEDIATELY. The supply cord must be replaced by an authorised Hoover service engineer to avoid a safety hazard.

AFTER USE. Switch the cleaner off and remove the plug from the electricity supply. Always switch off and remove the plug before cleaning the appliance or attempting any maintenance task.

Safety with children, elderly or the infirm: Do not let children play with the appliance or its controls. Please supervise the use of the appliance by older children, the elderly or the infirm."

HOOVER SERVICE. To ensure the continued safe and efficient operation of this appliance we recommend that any servicing or repairs are only carried out by an authorised Hoover service engineer.

HOOVER SERVICE 08705 400 600

HOOVER SPARES 01204 556 111

Congratulations on the purchase of your new Hoover Hurricane.

This highly advanced machine - with new technology unique to Hoover - makes cleaning easier and more efficient.

You'll find it kinder to your carpets - and to you!

Please take the time to read this manual carefully.

You'll be ready to make the most of the special features only the new Hoover Hurricane can offer!

WARNING! ELECTRICITY CAN BE EXTREMELY DANGEROUS

This appliance is double insulated and must not be earthed.

The plug is fitted with a 13 amp fuse.

IMPORTANT:The wires in the mains lead are coloured in accordance with the following code:

**Blue - NEUTRAL
Brown - LIVE**



GETTING TO KNOW YOUR CLEANER

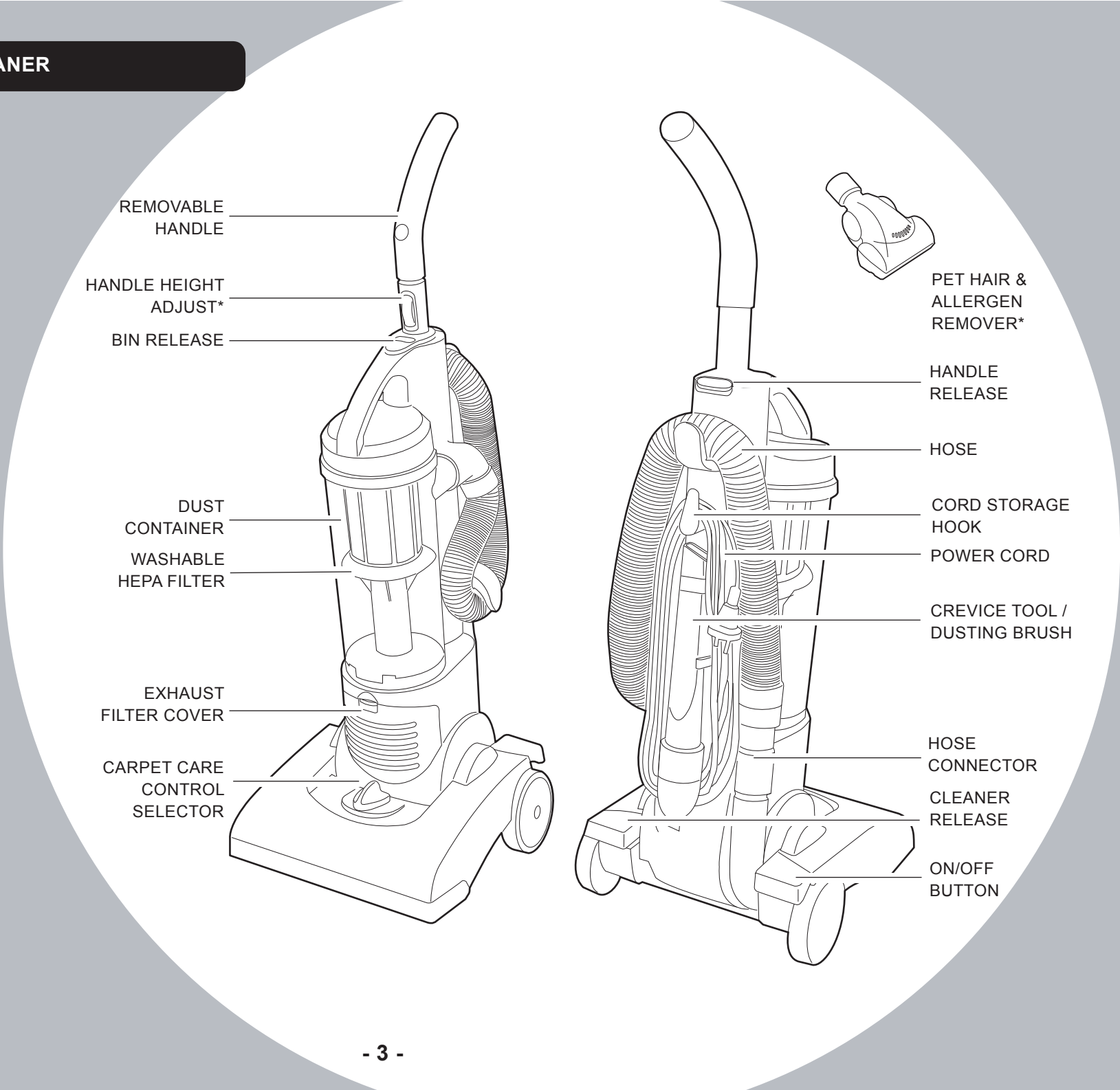
**Effortless
cleaning
with your
new Hoover
HURRICANE...**

When first unpacking your cleaner please check all items are included:

- Cleaner body**
- Removable Handle***
- Crevice Tool**
- Pet Hair & Allergen Remover***

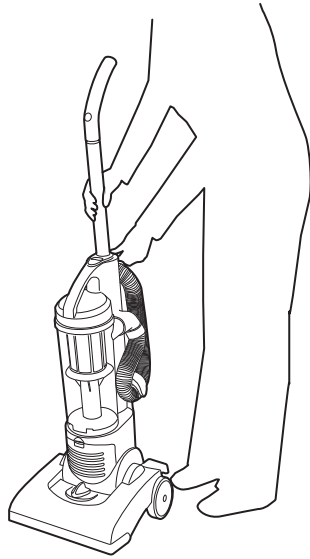
If any parts are missing, contact your retailer or call the Hoover helpline on 08705 400 600

* Feature may vary according to model



PREPARING YOUR CLEANER

Insert the removable handle into the body of the cleaner.



CARPET CARE CONTROL SELECTOR

The carpet care control selector raises and lowers the height of the foot.

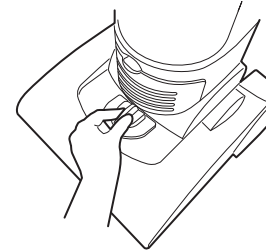
For a medium pile carpet the best carpet cleaning is achieved by setting the selector to the INTENSIVE CLEAN position.

For all other types of carpet try various settings until you get the best result for your carpet.

Ensure that the cleaner is in an upright (parked) position.

Rotate knob to position best suited to depth of carpet pile.

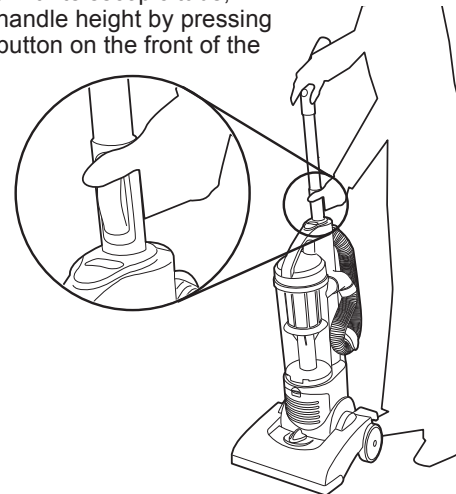
NOTE: Using this cleaner for carpets with pile greater than 30mm is not recommended.



IMPORTANT! When cleaning hard floors such as vinyl or linoleum, move the selector knob to the HARD floor position. Failure to do so may cause damage to the floor surface.

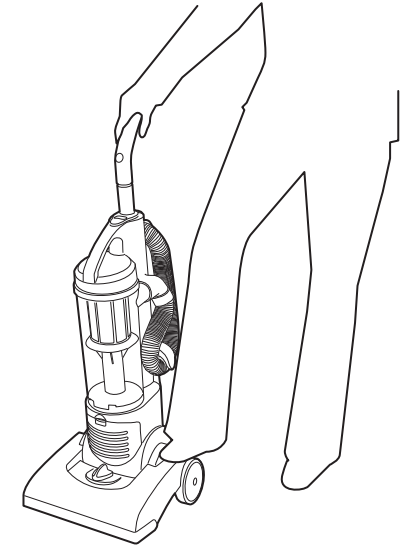
ADJUSTING THE HANDLE HEIGHT*

For models with telescopic tube, adjust the handle height by pressing the adjust button on the front of the cleaner.



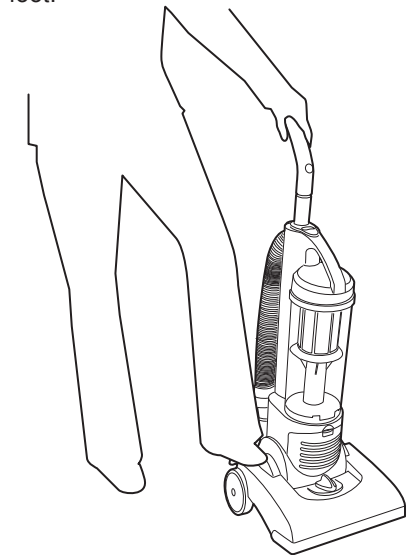
CLEANER RELEASE

Unlock the cleaner by pressing down on the pedal with your foot.



POWER SWITCH

To switch the cleaner on or off press down on the pedal with your foot.



* Feature may vary according to model

CLEANING TOOLS*

Telescopic Handle*

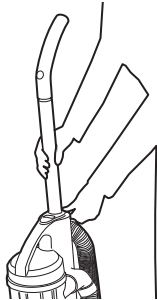
Fitted onto the flexible hose with the various accessories attached, this creates an ideal solution for stair and over head cleaning.

Pet Hair & Allergen Remover*

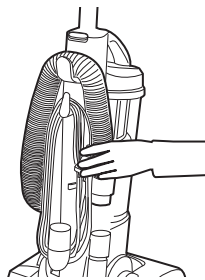
The pet hair & allergen remover is ideal for removing pets hairs. DO NOT touch the rotating brush.

All accessories can fit onto the end of the flexible hose or end of the telescopic tube*, combine accessories depending on use.

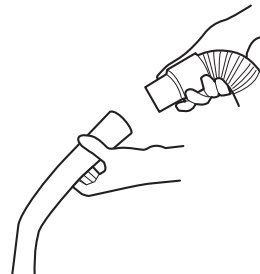
- 1 Remove the handle.



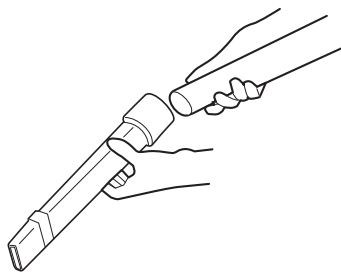
- 2 Remove hose from the foot.



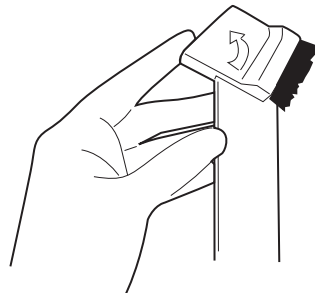
- 3 Attach hose to the handle end of the removable handle*.



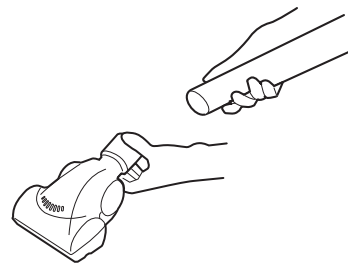
- 4 Attach crevice tool to the end of the telescopic tube*.



- 5 Rotate the end piece of the crevice tool to use the dusting brush.



- 6 Fit the pet hair & allergen remover*.



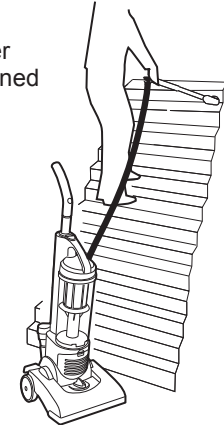
IMPORTANT! When using cleaning tools, the cleaner must be kept in the upright position, particularly when cleaning stairs. The nozzle height should also be set to tool mode.

* Feature may vary according to model

CLEANING THE STAIRS

It is dangerous to place the cleaner above you when cleaning stairs.

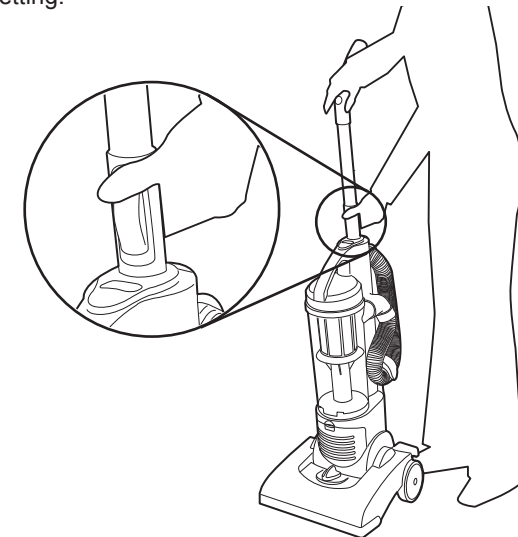
ALWAYS work with the cleaner below you. Ensure it is positioned up against the bottom step.



STORING THE CLEANER

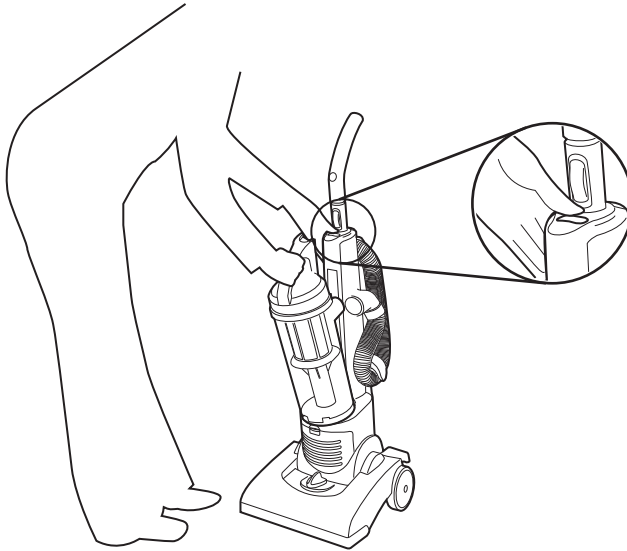
Turn the cleaner off and remove the plug. Wind the power cord around the cord storage hooks.

For models with the telescopic tube, press the handle adjust button and adjust handle height to the lowest setting.

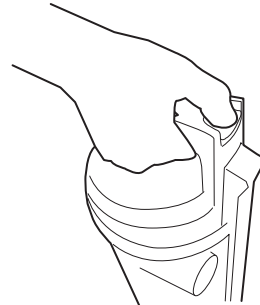


EMPTYING THE DUST BIN

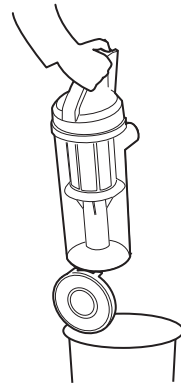
- 1 To remove the dust container from the cleaner press the bin release button.



- 2 Hold the container over the bin and press the bin open button.

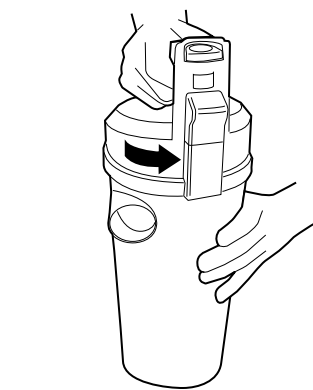


- 3 The dust container door will open and you can empty with no contact with the dust.

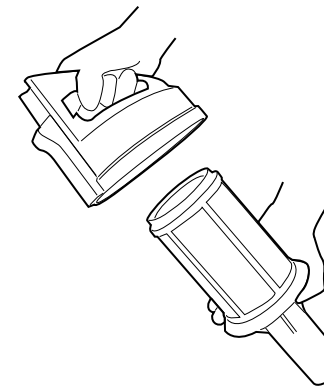


- 4 Once emptied, gently tap or shake the container to release any excess dust from the filters.

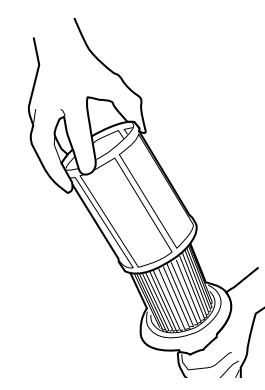
CLEANING THE PRE MOTOR FILTERS



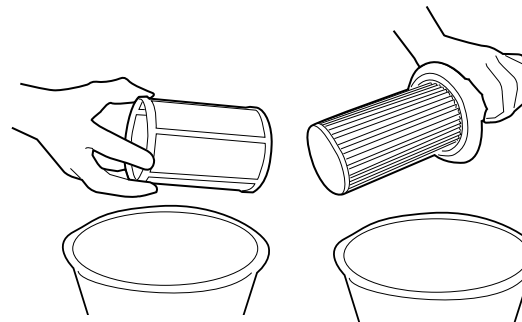
- 1 Rotate the upper part of the dust bin to open.



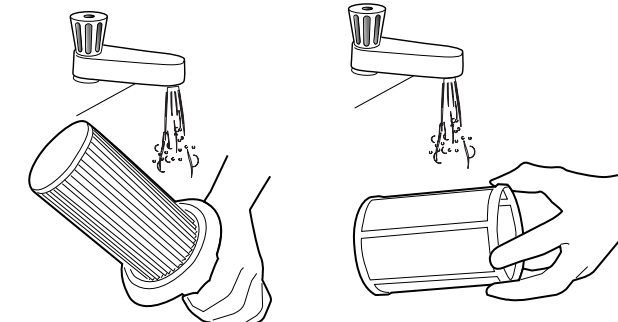
- 2 Remove the filter assembly from the upper part.



- 3 Remove the mesh filter from the filter assembly.



- 4 Gently tap both filters to release any excess dust.



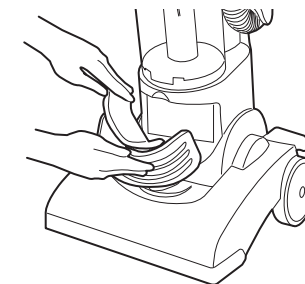
- 5 Wash both filters under hand warm water until the water runs clean. Remove excess water by shaking and leave to dry for 24 hours. When completely dry reassemble and refit filters to cleaner.

! IMPORTANT! Ensure the mesh sleeve is reassembled to the hepa filter before use

CLEANING THE EXHAUST FILTER

The exhaust filter should be washed every month. Press down on the latch to remove the exhaust cover. Remove filter and wash with warm water.

Remove excess water by shaking and leave to dry for 24 hours. When completely dry refit filter.



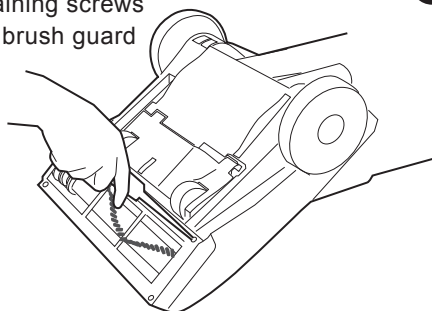
CHANGING THE BELT OR BRUSHES

If your cleaner is not picking up efficiently, the belt or brushes (or both) may need replacing, but first please make sure you have:

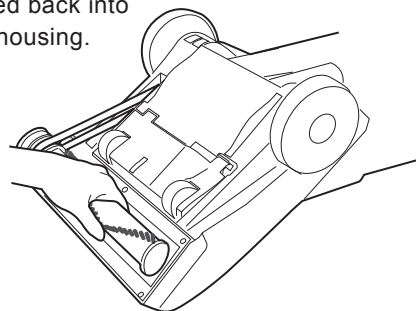
- Emptied the dust container
- Cleaned the filters
- Checked for blockages

! **IMPORTANT:** Switch the cleaner off and remove the plug from the electricity supply before dismantling cleaner

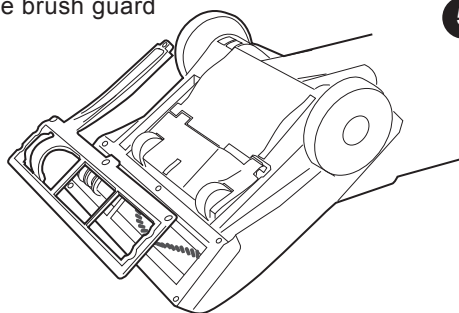
- 1** Turn the cleaner over and remove 6 retaining screws attaching the brush guard to the base.



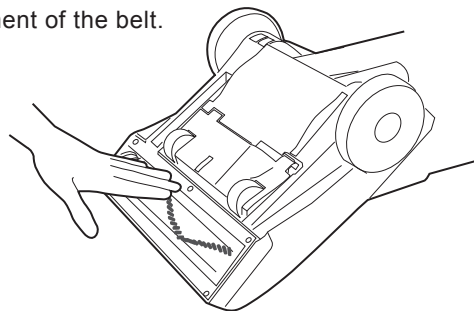
- 4** Hold the brush assembly and stretch the belt until the brush can be slotted back into the cleaner housing.



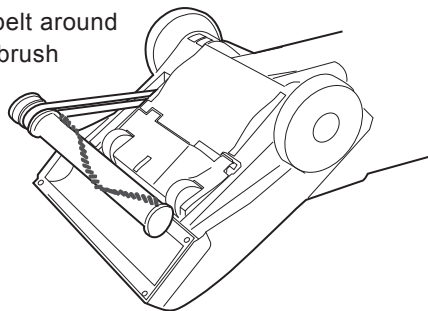
- 2** Remove the brush guard



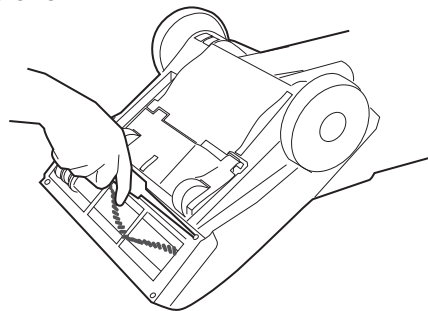
- 5** Rotate the brush to ensure movement of the belt.



- 3** Remove brush assembly and check for wear on the belt. Loop the new belt around the motor and brush channel.



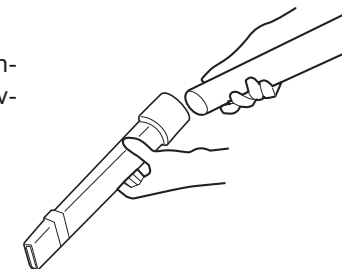
- 6** Refit the brush guard with 6 retaining screws.



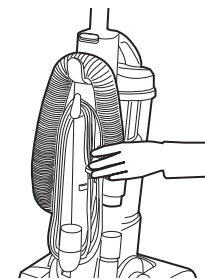
CLEARING A BLOCKAGE

! **IMPORTANT:** Switch the cleaner off and remove the plug from the electricity supply before dismantling cleaner

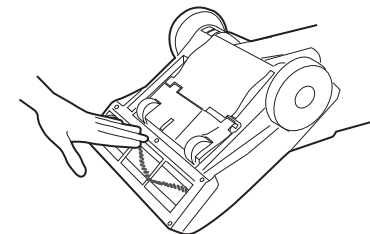
If cleaning tools were in use check the cleaning tool and the removable handle.



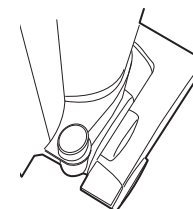
Check the hose by removing it from the cleaner, stretching it to full length.



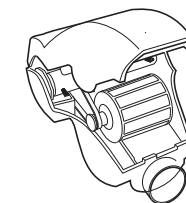
Turn the cleaner over and rotate the brushes until they are free to rotate.



Check for a blockage in the hose socket. Use a flexible rod to remove any obstruction.



Open the pet hair and allergen remover at each side, lift cover and remove the blockage.





Hoovercare

To maintain your HOOVER product in peak condition you may also wish to take out a Hoovercare policy, for which an annual payment provides a comprehensive maintenance and repair scheme. For further information telephone the HOOVER Service Office.

Genuine HOOVER Spares

Tel. 01204 556 111

Always replace parts with genuine Hoover spares. These are available from your local Hoover dealer or direct from Hoover. When ordering parts always quote your model number.

Hoover Service

Tel. 08705 400 600

Should you require service at any time please call the HOOVER Service Office.

Hoover have a computerised nationwide service network of over 500 engineers who will quickly respond to your call and guarantee your repair for 12 months.

USE ONLY HOOVER SPARES

SPARE PARTS	CODE
WASHABLE HEPA FILTER	S88 35600740
EXHAUST MICROFILTER	T94 35600741
AGITATOR	Y21 35600743
BELT	V29 35600744
HOSE	D100 35600745
TURBO NOZZLE	J30 35600742

GUARANTEE STATEMENT

The guarantee conditions for this appliance are as defined by our representative in the country in which it is sold. Details regarding these conditions can be obtained from the dealer from whom the appliance was purchased. The bill of sale or receipt must be produced when making any claim under the terms of this guarantee.

Subject to change without notice.

Quality & Environment

As the owner of a new Hoover product we would like to tell you more about the high standards we have set in Quality and the Environment

Quality

BSI ISO 9001

Hoover's factories have been independently assessed for quality. Our products are made using a quality system which meets the requirements of ISO 9001

Environment - WEEE Directive

This appliance is marked according to the European Directive 2002/96/EC on Waste Electrical and Electronic Equipment (WEEE).

By ensuring this product is disposed of correctly you will help prevent potential negative consequences for the environment and human health, which could otherwise be caused by inappropriate waste handling of this product.

The symbol on the product indicates that this product may not be treated as household waste. Instead it shall be handed over to the appliance collection point for recycling of electrical and electronic equipment.

Disposal must be carried out in accordance with the local environmental regulations for waste disposal.

For more detailed information about treatment, recovery and recycling of this product, please contact your local city office, your household waste disposal service or the shop where you purchased the product.





User checklist

If your cleaner is not working properly run through the following checklist.

1. Is there a working electricity supply to the cleaner?
Check with another electrical product.
2. Is the dust container full or choked with fine dust?
To empty the dust container see instructions on P6.
3. Is the hose blocked?
To clear a blockage see instructions on P7.
4. Is there a blockage in the cleaner base?
To clear a blockage, see the instruction on P7.
5. Are the filters blocked?
To clean filters, see the instruction on P6.
6. Is the nozzle height set correctly?
To set the carpet height selector, see the instruction on p4.
7. Are the brushes rotating correctly?
To check the brushes, see the instructions on p7.
8. Has the cleaner overheated? *If so, it will take about 30 minutes to reset.*

If there is any doubt call your local Hoover Service Office for advice. They may be able to assist you over the telephone.

A service charge will be made if the cleaner is examined and found to be in working order, has not been assembled in accordance with these instructions or has been used incorrectly.

WARNING

A thermal cut out switches off the cleaner to prevent overheating if it is used when full or there is a blockage or dirty filters. If this should happen switch off, unplug and correct the fault.

It will take approximately 30minutes for the cut out to automatically reset.

IMPORTANT

**DO NOT RUN OVER THE POWER SUPPLY CORD
AS THIS COULD DAMAGE THE SUPPLY CORD
INSULATION.**





GENERATION FUTURE

Hoover Limited
Pentrebach
Merthyr Tydfil
Mid Glamorgan
CF48 4TU

© 2007 0565-5286/01

