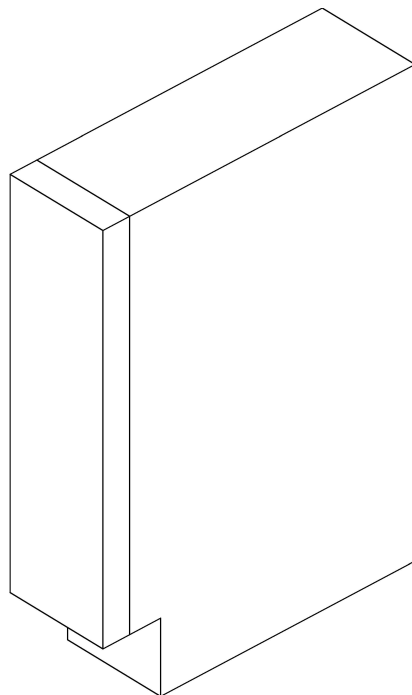




**INSTRUCTION  
MANUAL FOR WINE  
COOLER  
Height 820mm**



Thank you for purchasing this product.

Before using your refrigerator, please carefully read this instruction manual in order to maximize its performance. Store all documentation for subsequent use or for other owners. This product is intended solely for household use or similar applications such as:

- the kitchen area for personnel in shops, offices and other working environments
- on farms, by clientele of hotels, motels and other environments of a residential type
- at bed and breakfasts (B & B)
- for catering services and similar applications not for retail sale.

This appliance must be used only for purposes of storage of food, any other use is considered dangerous and the manufacturer will not be responsible for any omissions. Also, it is recommended that you take note of the warranty conditions.

## **SAFETY INFORMATION**

Please read the operating and installation instructions carefully!

They contain important information on how to install, use and maintain the appliance.

The manufacturer is not liable if you fail to comply with the instructions and warnings.

Retain all documents for subsequent use or for the next owner.

- **Do not connect the appliance to the electricity supply until all packing and transit protectors have been removed. Keep children away from packaging and its parts.**  
**Danger of suffocation from folding cartons and plastic film!**
- **Leave to stand for at least 4 hours before switching on the product, to allow compressor oil to settle if transported horizontally.**
- **Make sure there is no transport damage.**
- **Do not damage the refrigerant circuit.**
- **Maintain the ventilation openings in the appliance enclosure or in the built-in structure, free of obstruction.**
- **Never use water to wash the compressor position, wipe it with a dry cloth thoroughly after cleaning to prevent rust.**
- **Handle the appliance always with at least two persons because it is heavy.**
- **Install and level the appliance in an area suitable for its size and use.**
- **Make sure that the electrical information on the rating plate agrees with the power supply. If it does not, contact an electrician.**
- **The appliance is operated by a 220-240 VAC/50 Hz power supply. Abnormal voltage fluctuation may cause the appliance to fail to start, or damage to the temperature control or compressor, or there may be an abnormal noise when operating. In such case, an automatic regulator shall be mounted.**
- **Only for UK: The appliance's power cable is fitted with 3-cord (grounding) plug that fits a standard 3-cord (grounded) socket. Never cut off or dismount the third pin (grounding). After the ap-**

pliance is installed, the plug should be accessible.

- **Make sure that mains cable is not caught under the appliance during and after carrying/moving the appliance, to avoid the mains cable becoming cut or damaged. If the supply cord is damaged, it must be replaced by the manufacturer, its service agent or similarly qualified person in order to avoid a hazard.**
- **Do not install the appliance in humid, oily or dusty places, nor expose it to direct sunlight and to water.**
- **Do not install the appliance near heaters or inflammable materials.**
- **FOR appliances with a freezer compartment: if there is a power failure do not open the lid. Frozen food should not be affected if the failure lasts for less than the hours indicated on the rating label (Temperature rise time). If the failure is longer, then the food should be checked and eaten immediately or cooked and then refrozen.**
- **If you find that the lid of the appliance is difficult to open just after you have closed it, don't worry. This is due to the pressure difference which will equalize and allow the lid to be opened normally after a few minutes.**
- **Do not store medicines, bacteria or chemical agents in the appliance. This appliance is a household appliance, it is not recommended to store materials that require strict temperatures.**
- **Do not excessively pull or fold the power cord or touch the plug with wet hands.**
- **Do not store products which contain flammable propellant (e.g. spray cans) or explosive substances in the appliance. Risk of explosion!**
- **Do not place unstable articles (heavy objects, containers filled with water) on top of the refrigerator, to avoid personal injury caused by falling or electric shock caused by contact with water.**
- **Do not use electrical appliances inside the food storage compartments, unless they are of the type recommended by the manufacturer.**
- **Do not touch internal cooling elements, especially with wet hands, to avoid cracks or injuries.**
- **At risk here are children, people who have limited physical, mental or sensory abilities, as well as people who have inadequate knowledge concerning safe operation of the appliance.**
- **Check that children and vulnerable people have understood the hazards. A person responsible for safety must supervise or instruct children and vulnerable people who are using the appliance. Only children aged 8 years and above may use the appliance.**
- **Children should not play with the appliance.**

- **Children aged from 3 to 8 years are allowed to load and unload this appliance.**
- **FOR appliances with a freezer compartment: do not store bottled or canned liquids (especially carbonated drinks) in the freezer compartment. Bottles and cans may burst!**
- **FOR appliances with a freezer compartment: never put frozen food straight from the freezer compartment in your mouth. Risk of low-temperature burns!**
- **Keep plastic parts and the door seal free of oil and grease. Otherwise, plastic parts and the door seal will become porous.**
- **Before performing any operation, unplug the power cord from the power socket.**
- **Do not use mechanical devices or other means to accelerate the defrosting process, other than those recommended by the manufacturer.**
- **Do not use pointed or sharp-edged objects such as knives or forks to remove the frost.**
- **Never use hairdryers, electrical heaters or other such electrical appliances for defrosting.**
- **It is recommended to keep the plug clean, any excessive dust residues on the plug can be the cause fire.**
- **Do not try to repair, disassemble or modify the appliance by yourself. In case of repair please contact always our customer service.**
- **Supervise children while the appliance is being cleaned or maintained.**
- **Do not clean the cold glass shelves with hot water. Sudden temperature change may cause the glass to break.**
- **WARNING: The tubes of the refrigeration circuit convey a small quantity of an environmentally friendly but flammable refrigerant (R600a) and insulating gas (cyclopentane). It does not damage the ozone layer and does not increase the greenhouse effect. If refrigerant escapes, it may injure your eyes or ignite.**
- **If the refrigerant circuit should be damaged:**
  - **Switch off the appliance and pull out the mains plug,**
  - **Keep naked flames and/or ignition sources away from the appliance,**
  - **Thoroughly ventilate the room for several minutes,**
  - **Inform customer service.**
- **WARNING: Do not damage the plug and/or the power cord; this could cause electrical shocks or fires.**
- **WARNING: Do not use multiple portable socket-outlets or portable power supplies. We do not recommend the use of extension leads**

and multi-way adapters.

- **Do not attempt to sit or stand on the top of the appliance. You could injure yourself or damage it. This appliance is not designed for stacking with any other ones.**
- **The product is designed and built for domestic household use only.**
- **Only original parts supplied by the manufacturer may be used. The manufacturer guarantees that only these parts satisfy the safety requirements.**
- **Opening the door for long periods can cause a significant increase of the temperature in the compartments of the appliance.**
  - Clean regularly surfaces that can come in contact with food and accessible drainage systems.**
  - Clean water tanks if they have not been used for 48h; flush the water system connected to a water supply if water has not been drawn for 5 days.**
  - Store raw meat and fish in suitable containers in the refrigerator, so that it is not in contact with or drip onto other food.**
  - Two-star frozen-food compartments(if they are presented in the appliance) are suitable for storing pre-frozen food, storing or making ice-cream and making ice cubes.**
  - One-, two- and three -star compartments, if present in the appliance, are not suitable for the freezing of fresh food.**
  - If the appliance is left empty for long periods, switch off, defrost, clean, dry and leave the door open to prevent mould developing within the appliance.**
- **FOR Wine Coolers: this appliance is intended to be used exclusively for the storage of wine**
- **FOR a free standing appliance: this refrigerating appliance is not intended to be used as a built-in appliance**
- **FOR appliances without a 4-star compartment: this refrigerating appliance is not suitable for freezing foodstuffs**

## Scrapping old appliances



This appliance is marked according to the European directive 2012/19/EU on Waste Electrical and Electronic Equipment (WEEE).


WEEE contains both polluting substances (which can cause negative consequences for the environment) and basic components (which can be re-used). It is important to have WEEE subjected to specific treatments, in order to remove and dispose properly all pollutants, and recover and recycle all materials.

Individuals can play an important role in ensuring that WEEE does not become an environmental issue; it is essential to follow some basic rules:

- WEEE should not be treated as household waste;
- WEEE should be handed over to the relevant collection points managed by the municipality or by registered companies. In many countries, for large WEEE, home collection could be present.

In many countries, when you buy a new appliance, the old one may be returned to the retailer who has to collect it free of charge on a one-to-one basis, as long as the equipment is of equivalent type and has the same functions as the supplied equipment.

## Conformity

By placing the  mark on this product, we are confirming compliance to all relevant European safety, health and environmental requirements which are applicable in legislation for this product.

## Guarantee

Minimum guarantee is: 2 years for EU Countries, 3 years for Turkey, 1 year for UK, 1 year for Russia, 3 years for Sweden, 2 years for Serbia, 5 years for Norway, 1 year for Morocco, 6 months for Algeria, Tunisia no legal warranty required.

## Energy Saving

For better energy saving we suggest :

- Installing the appliance away from heat sources and not exposed to direct sunlight and in a well ventilated room.
- Avoid putting hot food into the refrigerator to avoid increasing the internal temperature and therefore causing continuous functionaliting of the compressor.
- Do not excessively stuff foods so as to ensure proper air circulation.
- Defrost the appliance in case there is ice to facilitate the transfer of cold.
- In case of absence of electrical energy, it is advisable to keep the refrigerator door closed.
- Open or keep the doors of the appliance open as little as possible
- Avoid adjusting the setting to temperatures too cold.
- Remove dust present on the rear of the appliance

## INSTALLATION INSTRUCTIONS

### ➤ **Before Using Your Wine cooler**

- Remove the exterior and interior packing.
- Before connecting the Wine cooler to the power source, let it stand upright for approximately 2 hours. This will reduce the possibility of a malfunction in the cooling system from handling during transportation.
- Clean the interior surface with lukewarm water using a soft cloth.
- This appliance is intended to be used in household and similar applications such as
  - staff kitchen areas in shops, offices and other working environments;
  - farm houses and by clients in hotels, motels and other residential type environments;
  - bed and breakfast type environments;
  - catering and similar non-retail applications.
- When disposing your appliance, please choose an authorized disposal site.

### ➤ **Installation of Your Wine Cooler**

- This appliance is designed to be for free standing installation or built-in (fully recessed) (Refer to sticker location the back of this appliance).
- **This appliances are intended to be used exclusively for the storage of wine.**
- Place your Wine cooler on a floor that is strong enough to support it when it is fully loaded. To level your Wine cooler, adjust the front leveling leg at the bottom of the Wine cooler.
- This appliance is using flammability refrigerant. So never damage the cooling pipe work during the transportation. Locate the Wine cooler away from direct sunlight and sources of heat (stove, heater, radiator, etc.). Direct sunlight may affect the acrylic coating and heat sources may increase electrical consumption. Extreme cold ambient temperatures may also cause the unit not to perform properly.
- Avoid locating the unit in moist areas.
- Plug the Wine cooler into an exclusive, properly installed-grounded wall outlet. Do not under any circumstances cut or remove the third (ground) prong from the power cord. Any questions concerning power and/or grounding should be directed toward a certified electrician or an authorized Products service center.

### ➤ **Attention**

- Store wine in sealed bottles;
- Do not overload the cabinet;
- Do not open the door unless necessary;
- Do not cover shelves with aluminum foil or any other shelf material which may prevent air circulation;
- Should the Wine cooler be stored without use for long periods it is suggested, after a careful cleaning, to leave the door ajar to allow air to circulate inside the cabinet in order to avoid possible formations of condensation, mold or odors.

### ➤ **Ambient Room Temperature Limits**





This appliance is designed to operate in ambient temperatures specified by its temperature class marked on the rating plate.

- extended temperate (SN): 'this refrigerating appliance is intended to be used at ambient temperatures ranging from 10 °C to 32 °C';
- temperate (N): 'this refrigerating appliance is intended to be used at ambient temperatures ranging from 16 °C to 32 °C';
- subtropical (ST): 'this refrigerating appliance is intended to be used at ambient temperatures ranging from 16 °C to 38 °C';
- tropical (T): 'this refrigerating appliance is intended to be used at ambient temperatures ranging from 16 °C to 43 °C';

## OPERATING YOUR WINE COOLER AND SETTING THE TEMPERATURE CONTROL

### ➤ Control System Instruction



- “  ” Button  
To switch the power on/off. (Press and hold this button for approximately 3 seconds);
  - “  ” Button  
To raise (warm) the temperature in 1 °C increments.
  - “  ” Button  
To lower (cool) the temperature in 1 °C increments.
  - “  ” Button  
To control the interior light on/off.
  - **indicator light**  
Compressor in operation display.
  - **LED display window**  
To shows the set temperature.
- Setting The Temperature Controls
- To set the temperature, connect the power cord to a properly grounded outlet In the event of power interruption, the previous temperature setting is automatically erased and it will default to a preset temperature setting of 12°C
  - Set the desired cooling temperature by pressing the buttons adjacent to the “UP/DOWN” indicators. Each depression of the buttons will scroll through the available temperature setting in increments of 1 degree.
  - The temperature setting can be adjusted from 5°C -18°C
  - If you want to reveal actual temperature, please press and hold the " UP " or " DOWN " button for 3 seconds, the LED will flash and display the actual temperature. After stopping pressing the button for 5 seconds, LED figure will stop flash, then revert back to display the set temperature.  
**Flashing LED = Set temperature**  
**Steady LED = Cabinet temperature**



➤ **Internal light**

In order to reduce energy consumption, this wine cabinet will automatically switch off the LED lights after 10 minutes.

If you want the LED light to remain on continuously, this is possible. Please press and hold the "LIGHT" button for 5 seconds, the display will show "LP". After 4 seconds the display will revert back to normal and the light will remain on until manually switched off.

If you want to revert back and conserve energy (recommended), please press and hold the "LIGHT" button for 5 seconds, the display will show "LF", after 4 seconds the display will revert back to normal, and the light will automatically switch off after 10 minutes.

➤ **Temperature Alarm**

If the temperature inside is higher than 23 °C, it will display "HI" on the display panel, and after one hour after the alarm / buzzer will sound. This indicates that the temperature inside is too high. If the temperature inside is lower than 0 °C, it will display "LO" on the display panel and at the same time the alarm also malfunction indicator is active.

➤ **Temperature Recollection Function**

In the event of a power interruption, wine chiller can remember the previous temperature settings, and when the power is recovery, the cooler temperature will go back the same setting temperature as power off.

➤ **Note**

- If the unit is unplugged, power lost, or turned off, you must wait 3 to 5 minutes before restarting the unit. If you attempt to restart before this time delay, the Wine cooler will not start.
- When you use the Wine cooler for the first time or restart the Wine cooler after having been shut off for a long time, there could be a few degrees variance between the temperature you select and the one indicated on the LED readout. This is normal and it is due to the length of the activation time. Once the Wine cooler is running for a few hours everything will be back to normal.

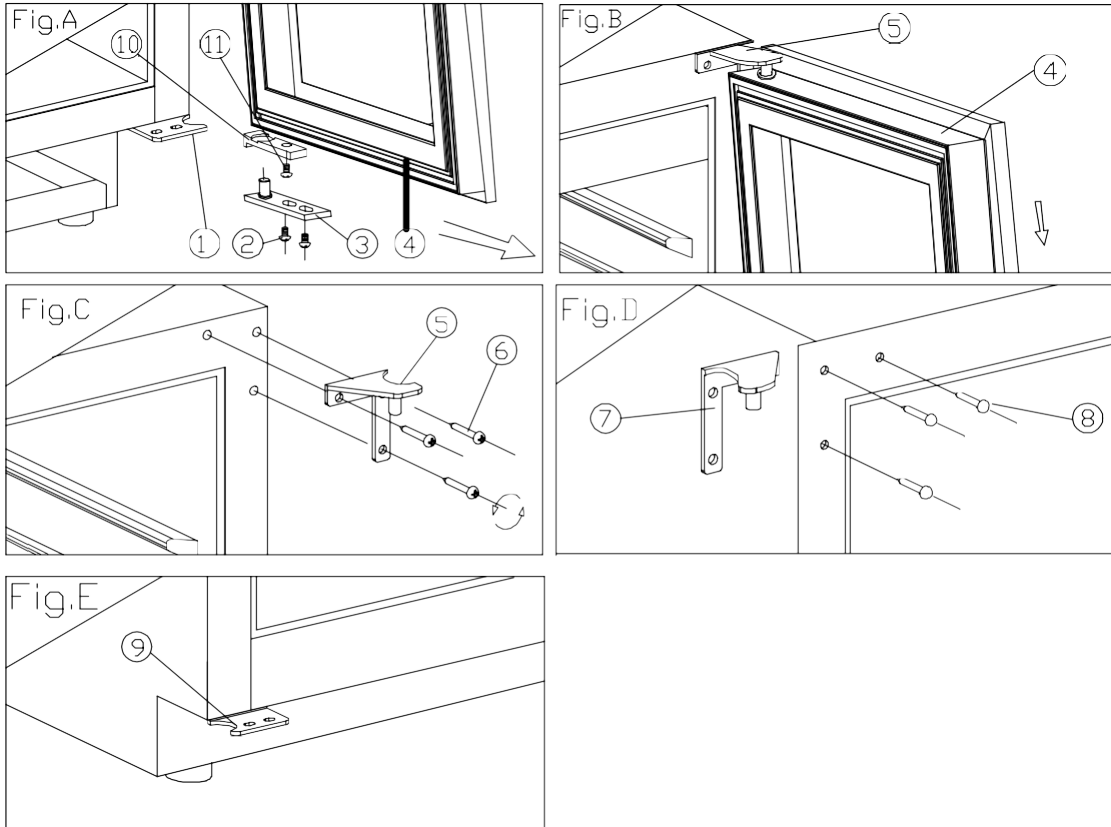
➤ **How to change the door opening**

This appliance has reversible doors but is delivered with a right hinged door. The left hand hinge kit comes with the unit (in the box), should you wish to reverse the hinge on your unit.

- 1. Lower hinge (Right)
- 4. Door
- 7. Top hinge (Left)
- 10. Door limit device

- 2 . Screws
- 5. Top hinge (Right)
- 8. Hole cover
- 11. Screw

- 3 .Door axis
- 6. Hinge Screws
- 9. Lower hinge (Left)

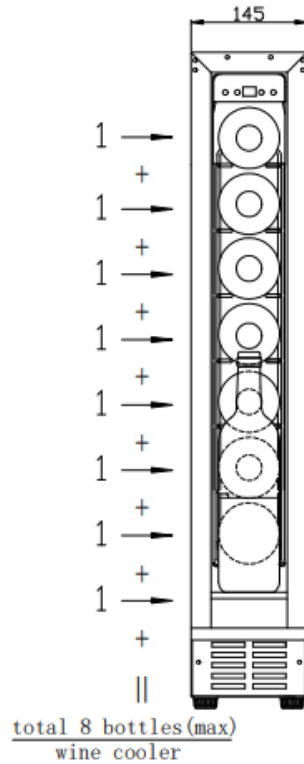


1. Open the door to a 90 degrees angle, take out the 2 screws (2) from lower door axis (3), remove the door (4), Remove the axis plate (3) from the door, (Fig. A).
2. Unscrew the screw (11) located underneath the doorframe and the limit device (10), and relocate it at left end side of the door frame. (Fig. A/B)
3. Take out the 3 hinge screws (6) from the top hinge (right) (5) and remove it. (Fig. C)
4. Remove decorative nail (8) from left top of cabinet and install spare top hinge (Left) (7) at left top of cabinet with 3 screws. (Fig. D)
5. Following the above procedure, install the spare lower hinge to the left (9). (Fig. E)
6. Install and aligned the door.
7. Insert the plastic caps to cover the holes(8).

➤ **Storage diagram**

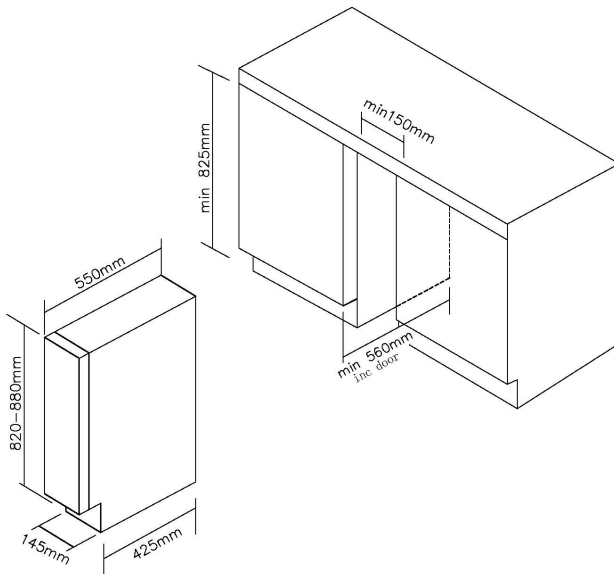
According to the actual configuration of your product, please check the relative Storage diagram.

For Height 820mm  
Total: 8 bottles (Max)



The most energy-saving configuration requires shelves to be positioned in the product, please refer to the above pictures.

➤ **Installation dimensions**



## CARE AND MAINTENANCE

### ➤ **Cleaning Your Wine cooler**

- Turn off the power, unplug the appliance, and remove all items including shelves and rack.
- Wash the inside surfaces with a warm water and baking soda solution. The solution should be about 2 tablespoons of baking soda to a quart of water.
- Wash the shelves with a mild detergent solution.
- Wring excess water out of the sponge or cloth when cleaning area of the controls, or any electrical parts.
- Wash the outside cooler with warm water and mild liquid detergent. Rinse well and wipe dry with a clean soft cloth.

### ➤ **Power Failure**

- Most power failures are corrected within a few hours and should not affect the temperature of your appliance if you minimize the number of times the door is opened. If the power is going to be off for a longer period of time, you need to take the proper steps to protect your contents.

### ➤ **Vacation Time**

- Short vacations: Leave the Wine cooler operating during vacations of less than three weeks.
- Long vacations: If the appliance will not be used for several months, remove all items and turn off the appliance. Clean and dry the interior thoroughly. To prevent odor and mold growth, leave the door open slightly: blocking it open if necessary.

### ➤ **Moving Your Wine cooler**

- Remove all items.
- Securely tape down all loose items (shelves) inside your appliance.
- Turn the adjustable leg up to the base to avoid damage.
- Tape the door shut.
- Be sure the appliance stays secure in the upright position during transportation. Also protect outside of appliance with a blanket, or similar item.

### ➤ **Energy Saving Tips**

- The Wine cooler should be located in the coolest area of the room, away from heat producing appliances, and out of the direct sunlight.

## PROBLEMS WITH YOUR WINE COOLER?

You can solve many common Wine cooler problems easily, saving you the cost of a possible service call. Try the suggestions below to see if you can solve the problem before calling the service.

### TROUBLESHOOTING GUIDE

PROBLEM	POSSIBLE CAUSE
Wine cooler does not operate.	Not plugged in. The appliance is turned off. The circuit breaker tripped or a blown fuse.
Wine cooler is not cold enough.	Check the temperature control setting. External environment may require a higher setting. The door is opened too often. The door is not closed completely. The door gasket does not seal properly.
Turns on and off frequently.	The room temperature is hotter than normal. A large amount of contents has been added to the Wine cooler. The door is opened too often. The door is not closed completely. The temperature control is not set correctly. The door gasket does not seal properly.
The light does not work.	Not plugged in. The circuit breaker tripped or a blown fuse. The bulb has burned out. The light button is "OFF".
Vibrations.	Check to assure that the Wine cooler is level.
The Wine cooler seems to make too much noise.	The rattling noise may come from the flow of the refrigerant, which is normal. As each cycle ends, you may hear gurgling sounds caused by the flow of refrigerant in your Wine cooler. Contraction and expansion of the inside walls may cause popping and crackling noises. The Wine cooler is not level.
The door will not close properly.	The Wine cooler is not level. The door was reversed and not properly installed. The gasket is dirty. The shelves are out of position.

To contact the technical assistance, visit our website: <https://corporate.haier-europe.com/en/>  
Under the section "website", choose the brand of your product and your country. You will be redirected to the specific website where you can find the telephone number and form to contact the technical assistance

➤ **Availability Of Spare Parts**

- Thermostats, temperature sensors, printed circuit boards and light sources are available for a minimum period of seven years after placing the last unit of the model on the market.
- Door handles, door hinges, trays and baskets for a minimum period of seven years and door gaskets for a minimum period of 10 year, after placing the last unit of the model on the market.

**Recommended temperature SETTINGS**

**For storing ALL TYPES OF WINES** **12 °C to 14 °C**

**Recommended DRINKING temperature**

**Champagne NV, Sparkling** **6 °C**

**Champagne Vintage** **10 °C**

**Dry White Semillon, Sauvignon Blanc** **8 °C**

**Dry White Gewürztraminer, Riesling** **10 °C**

**Dry White Chardonnay** **10 °C**

**Vintage Chardonnay** **14 °C**

**Sweet White Sauternes Monbazillac, Late Harvest ice wine** **10 °C**

**Sweet whites vintage Sauternes** **14 °C**

**Beaujolais** **13 °C**

**Red Pinot Noir** **16 °C**

**Vintage Pinot Noir red** **18 °C**

**Red Cabernet, Merlot, French, Australian, New Zealand, Chilean, Argentinean, Italian, Spanish, Californian** **18 °C**

**Red Grenache, Syrah** **16 °C**

For further information about the product, please consult <https://eprel.ec.europa.eu/> or scan the QR on the energy label supplied with the appliance