



# HOOVER

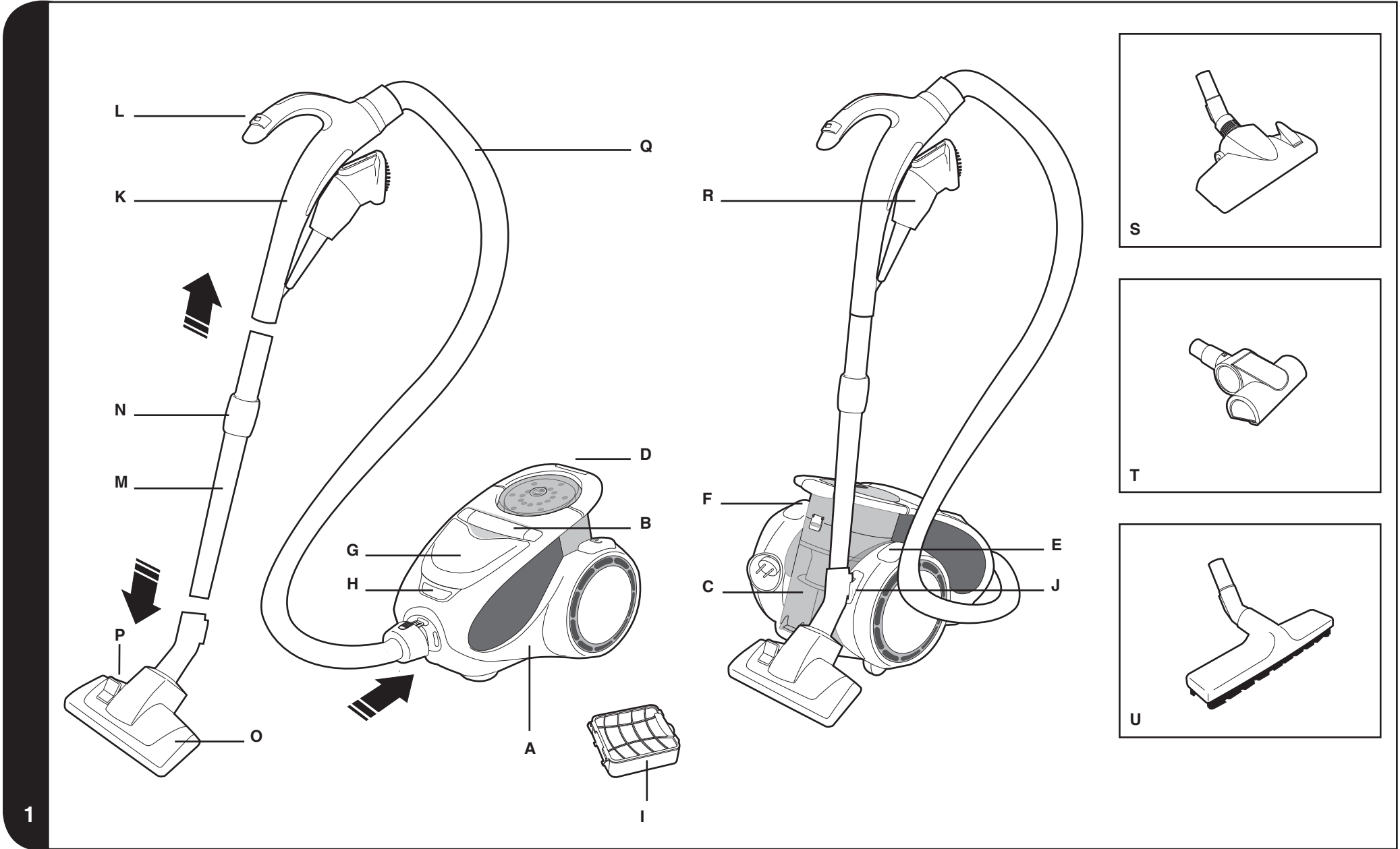
## XARION

INSTRUCTION MANUAL



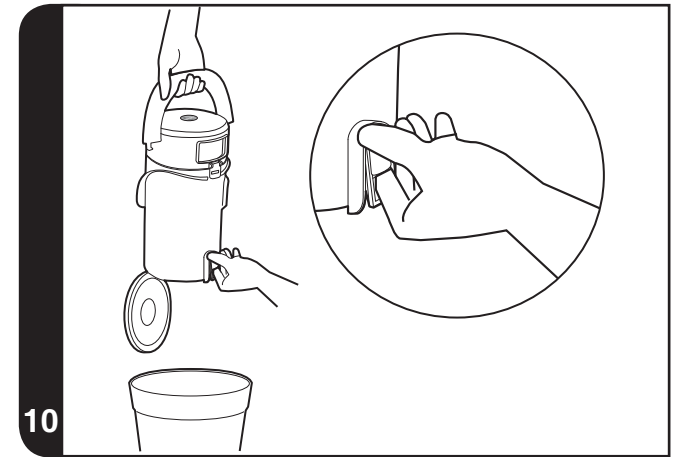
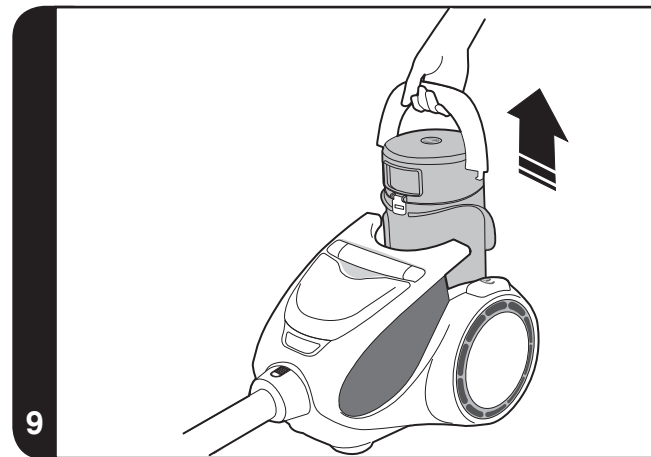
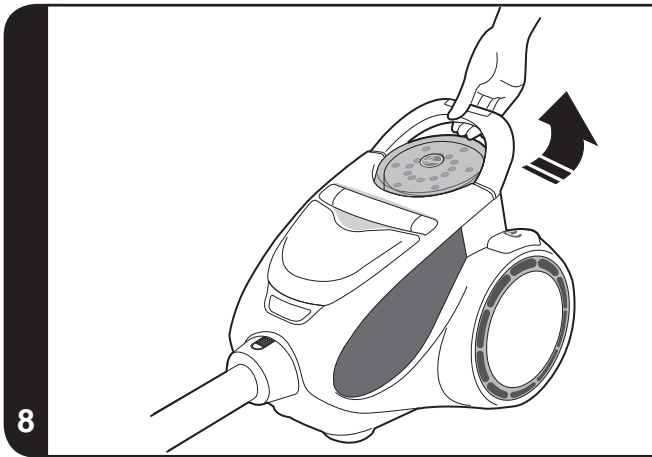
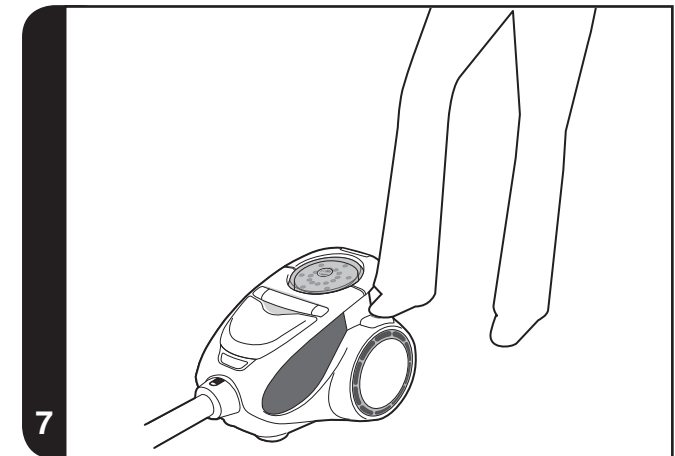
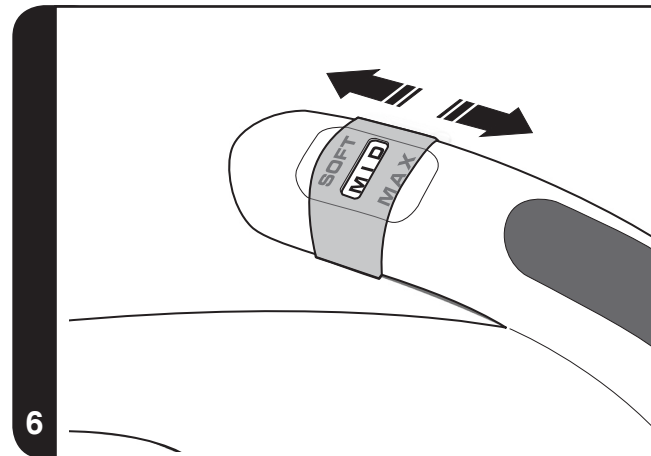
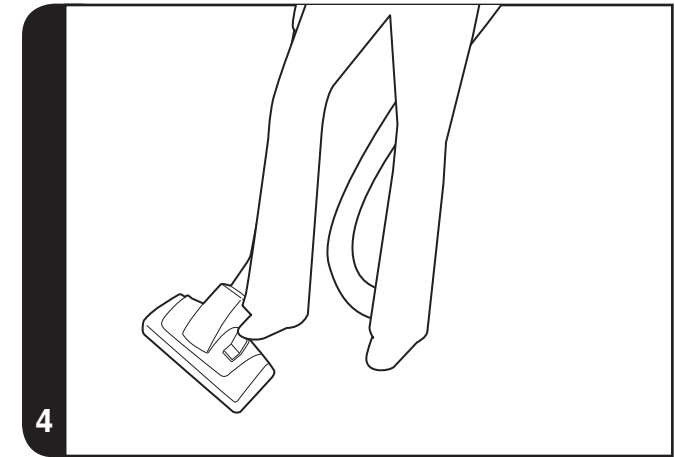
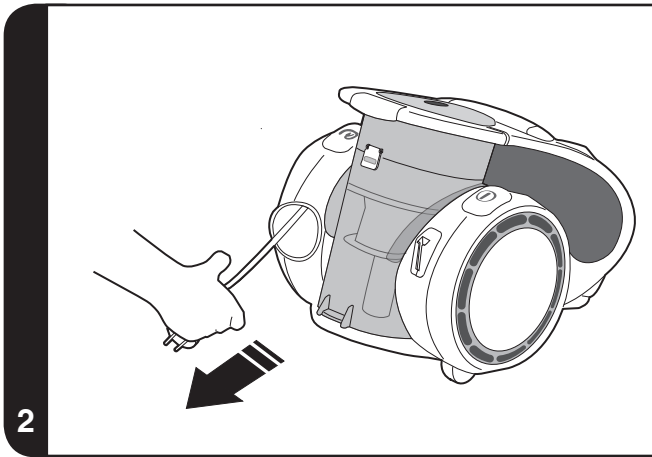
GENERATION FUTURE

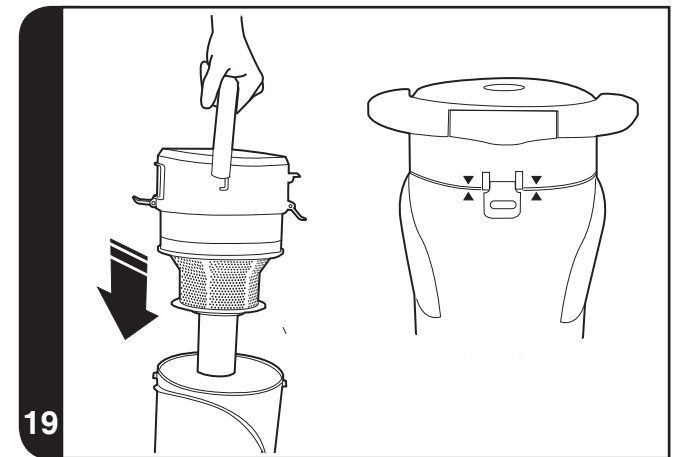
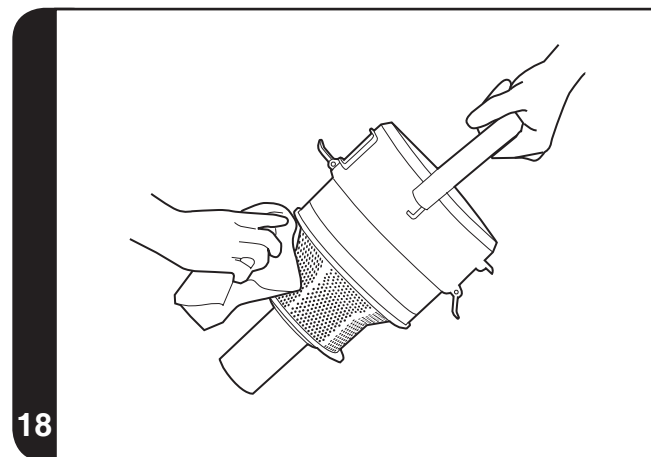
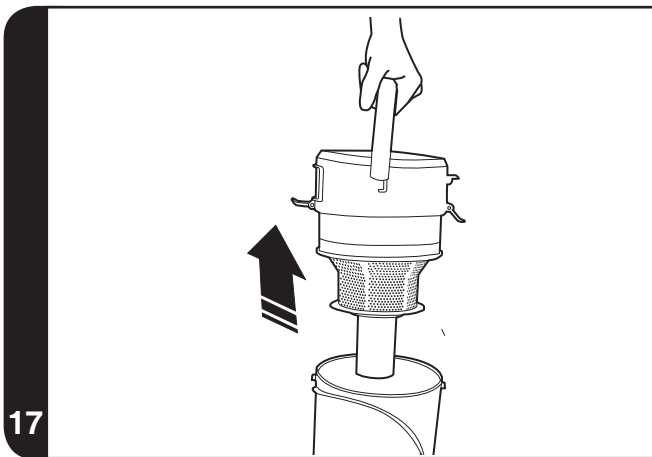
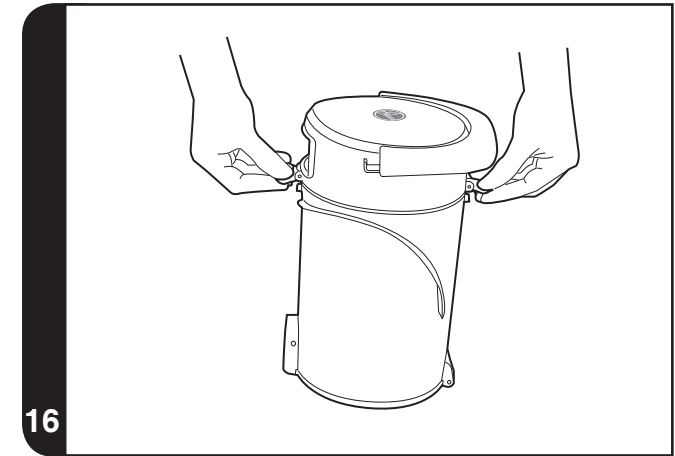
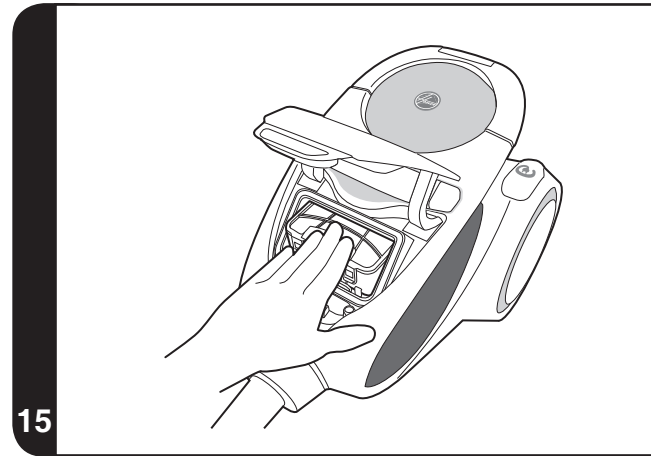
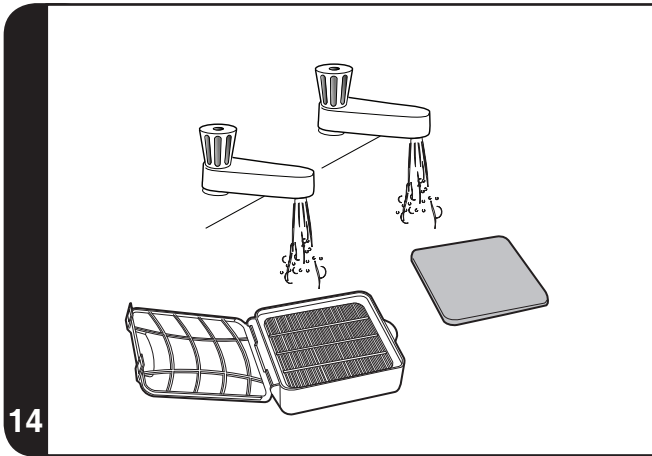
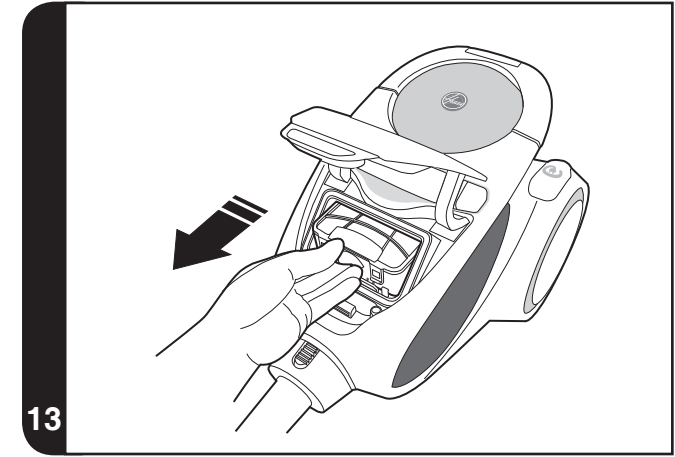
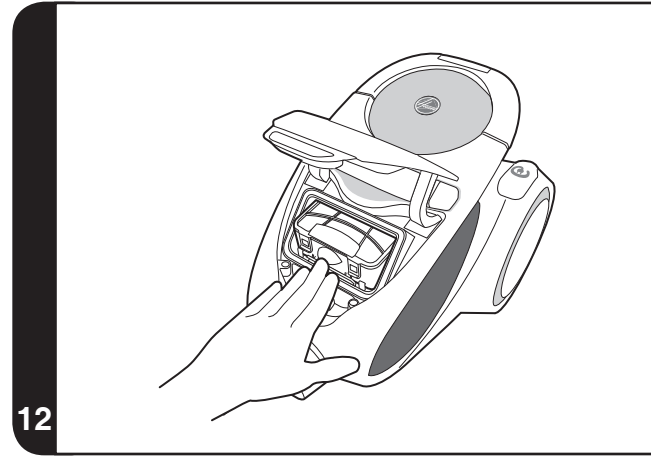
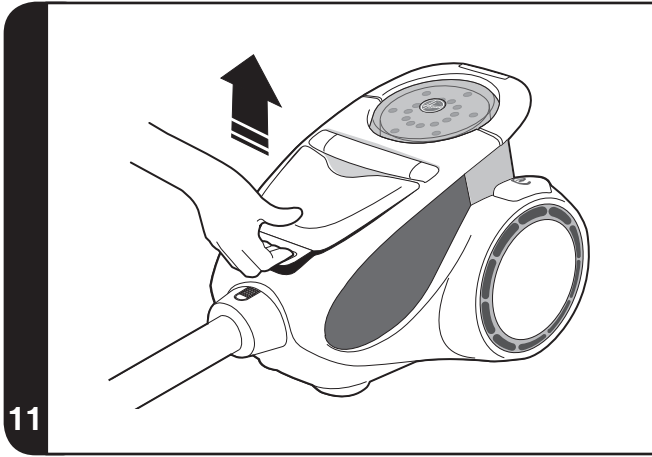




1







## IMPORTANT SAFETY REMINDERS

This cleaner should only be used for domestic cleaning, as described in this user guide. Please ensure that this guide is fully understood before operating the appliance. Use only attachments recommended or supplied by Hoover.

**WARNING:** Electricity can be extremely dangerous. This appliance is double insulated and must not be earthed. This plug is fitted with a 13 amp fuse (UK only).

**IMPORTANT:** The wires in the mains power lead are coloured in accordance with the following code:

**Blue – Neutral    Brown – Live**

**STATIC ELECTRICITY:** Some carpets can cause a small build up of static electricity. Any static discharge is not hazardous to health.

**AFTER USE:** Switch the cleaner off and remove the plug from the electricity supply. Always switch off and remove the plug before cleaning the appliance or attempting any maintenance task.

**SAFETY WITH CHILDREN, ELDERLY OR THE INFIRM:** Do not let children play with the appliance or its controls. Please supervise the use of the appliance by older children, the elderly or the infirm.”

**HOOVER SERVICE:** To ensure the continued safe and efficient operation of this appliance we recommend that any servicing or repairs are only carried out by an authorised Hoover service engineer.

## IT IS IMPORTANT THAT YOU DO NOT:

- Position the cleaner above you when cleaning the stairs.
- Use your cleaner out of doors or on any wet surface or for wet pick up.
- Pick up hard or sharp objects, matches, hot ashes, cigarette ends or other similar items.
- Spray with or pick up flammable liquids, cleaning fluids, aerosols or their vapours as this may cause risk of fire / explosion.
- Run over the supply cord when using your cleaner or remove the plug by pulling on the supply cord.
- Stand on or wrap the power cord around arms or legs when using the cleaner.
- Use the appliance to clean people or animals.
- Continue to use your cleaner if it appears to be faulty. If the supply cord is damaged stop using the cleaner IMMEDIATELY. To avoid a safety hazard, an authorised Hoover service engineer must replace the supply cord.

## GETTING TO KNOW YOUR CLEANER

- A. Cleaner main body
- B. Carry handle
- C. Dust Container
- D. Dust Container handle and latch
- E. On/Off Button
- F. Cord Rewind Button
- G. Filter Door
- H. Filter Door latch
- I. HEPA/ Foam Micro Filter Pack
- J. Park latch
- K. Navigator Handle
- L. Suction Control
- M. Telescopic Tube
- N. Telescopic tube adjuster
- O. Carpet & Floor Nozzle
- P. Carpet Care Control Selector
- Q. Hose
- R. 3 in 1 Tool:
  - Ra. Crevice Tool,
  - Rb. Furniture Nozzle,
  - Rc. Dusting Brush
- S. Pet Hair and Allergen Nozzle
- T. Pet Hair and Allergen Turbo Nozzle
- U. Parquet Caresse Nozzle

## ASSEMBLING YOUR CLEANER

Remove all components from the packaging.

1. Connect the hose to the cleaner main body, ensuring it clips and locks into position. To release: simply press the two buttons on the hose end and pull. [1]
2. Connect the tube upper end to the navigator handle, and store the 3in1 tool underneath the handle.
3. Connect the tube lower end to the carpet and floor nozzle. [1]

## USING YOUR CLEANER

1. Extract power cord and plug it into the power supply. Do not pull the cord beyond the red marker. [2]
2. Adjust the telescopic tube to the desired height by holding the handle and moving the central hand grip up or down. [3]
3. Select carpet care control height by pressing the pedal in the nozzle. [4]
  - Hard Floor – Brushes are lowered to protect the floor.
  - Carpet – Brushes are raised for the deepest clean.
4. Switch the cleaner on by pressing the On/Off Button on the cleaner main body. [5]
5. Adjust the suction by sliding the suction regulator to the desired level. [6]
6. Switch off at the end of use by pressing the On/Off Button. Unplug and press the cord rewind button to wind the power cord back into the cleaner. [7]
7. To store your cleaner adjust telescopic tube to the lowest height setting and park the nozzle in the park position on the cleaner main body. [1]

## ACCESSORIES

Please see the model specification on the packaging label for inclusion of accessories to individual models. All accessories can be purchased separately from Hoover. (See Hoover Spares and Consumable section).

All accessories can be fitted to the end of the hose or the end of the telescopic tube.

**3 in 1 tool** – Combines several functions in one, with maximum flexibility by the rotating body. Reach into awkward areas by rotating the body. The 3 in 1 tool can be stored neatly underneath the hose handle.

**Crevice Tool** – For corners and hard to reach areas.

**Furniture Nozzle** – For soft furniture and fabrics

**Dusting Brush** – For bookshelves, frames, keyboards and other delicate areas. To extend the brushes push the button on the body of the tool.

**Parquet Caresse Nozzle** – For parquet floors and other delicate floors.

**Allergen Remover Turbo Nozzle** – Use the turbo nozzle for deep cleaning on carpets.

**Allergen Remover Mini Turbo Nozzle** – Use the mini turbo nozzle on stairs or for deep-cleaning on textile surfaces and other hard to clean areas.

**IMPORTANT:** Do not use the turbo and mini turbo nozzles on rugs with long fringes, animal hides and carpet pile deeper than 15mm. Do not keep the nozzle stationary while the brush is rotating.

## CLEANER MAINTENANCE

### Emptying the Dust Container

When the dust reaches the max level indicator in the container empty the dust container. **IMPORTANT:** To maintain optimum performance do not allow the dust to sit higher than the max level.

1. Release the container carry handle by lifting the centre latch to detach the dust container from the main cleaner and pull upward to remove. [8,9]
2. Hold the dust container over a bin with one hand and with the other pull the dust container catch to open the door and empty. [10]
3. Close the dust container door and refit to the cleaner main body. To lock in place push the container carry handle down until the latch connects with the main body of the cleaner. Once correctly retained the carry handle will sit flush with the top of the cleaner.

### Cleaning the washable filters

The cleaner is fitted with a blue hepa filter pack. To maintain optimum cleaning performance regularly remove the filters and tap against the side of the bin to release dust. The filters should be washed every 3 months or when the filter has excessive dust level.

**IMPORTANT:** Regularly check and maintain the filters.

**IMPORTANT:** Always ensure the filter pack is fully dry before use.

#### To access the filter:

1. Unlock the filter door by pulling the filter latch upwards. Open the filter door. [11]
2. Remove the filter pack by pressing down on the retainer catch to release. The filter pack will pop up. Slide the filter pack out. [12,13]
3. Unlatch the filter pack frame.
4. Remove the foam micro filter from the pack.
5. Gently tap and wash the grey foam micro filter attached to the filter frame using warm water. Do not use hot water or detergents. Remove excess water from the filter and leave to dry fully before re-using. [14]
6. Gently tap and wash the Blue HEPA filter unit. Do not use hot water or detergents. Remove excess water from the filter and leave to dry fully before re-using.
7. Reassemble to filter pack once fully dry and refit to the cleaner. Press on the top of the filter to ensure it clips back into place. [15]

**IMPORTANT:** Do not use the product without the filter pack fitted.

**NOTE:** Ensure the carry handle is at its down position before opening the filter door.

## Cleaning the cyclonic unit

If necessary the cyclone unit can be removed from the cyclonic cassette and cleaned.

1. Remove dust container from the cleaner by releasing the container carry handle to detach the dust container from the main cleaner and pull upward to remove. **[8,9]**
2. Place the bin on a flat surface and unclip the clips from either side of the dust container. **[16]**
3. Using the bin handle lift the bin upper section containing the cyclonic unit from the lower section. **[17]**
4. Use a cloth to remove excessive dust from the cyclone unit's surface. **[18]**
5. Reassemble the bin upper section taking care to align the arrows on the container. Push clips back to fully close the bin. **[19]**
6. Refit the dustbin to the cleaner. To lock in place push the container carry handle down until the latch connects with the main body of the cleaner. Once correctly retained the carry handle will sit flush with the top of the cleaner.

## Removing a blockage

1. Check if the dust container is full. If so refer to 'Emptying the dust container.'
2. If the dust container is empty but suction is still low:
  - A. Do the filters need cleaning? If so refer to 'Cleaning the washable filters'.
  - B. Check if there is any other blockage in the system - Use a rod or pole to remove any blockage from the extension tube or flexible hose.
  - C. Check if pre-motor filter is fitted and filter door is closed
  - D. Check if the cyclonic unit needs to be cleaned. Refer to 'Cleaning the cyclone unit'

## USER CHECKLIST

Should you have a problem with the product, complete this simple user checklist before calling your local Hoover service.

- Is there a working electricity supply to the cleaner? Please check with another electrical appliance.
- Is the cyclonic dust container over-filled? Please refer to 'Cleaner Maintenance'.
- Is the filter blocked? Please refer to 'Cleaner Maintenance'.
- Is the hose or nozzle blocked? Please refer to 'Removing a blockage from the system'.
- Has the cleaner overheated? If so, it will take approximately 30 minutes to automatically reset.

## IMPORTANT INFORMATION

### Hoover spares and Consumables

Always replace parts with genuine Hoover spares. These are available from your local Hoover dealer or direct from Hoover. When ordering parts always quote your model number.

- Hepa / Micro Filter pack: U46 - 35600814
- Carpet and Floor Nozzle: G72 - 04845090
- Allergen Remover Turbo Nozzle: J31 - 35600816
- Allergen Remover Mini Turbo Nozzle: J32 - 35600817
- Flexible Hose: D101 - 35600815
- Caresse Nozzle: G90PC - 35600660

### Hoover Service

Should you require service at any time, please contact your local Hoover Service Office.

## Quality, Safety and the Environment

### Safety

Although safety certification of electrical appliances is not required by law in the UK, Hoover believe that independent approval is the best way of demonstrating safety in design and manufacture. The British Electrotechnical Approvals Board (BEAB), the independent UK national authority for the safety of domestic electrical appliances, ensures that European safety standards are met and maintained throughout the production life of an appliance. All appliances that pass the requirements are permitted to carry the BEAB mark of safety.

### Quality

BSI ISO 9001

Hoover's factories have been independently assessed for quality. Our products are made using a quality system which meets the requirements of ISO 9001



## **The Environment:**

This appliance is marked according to the European Directive 2002/96/EC on Waste Electrical and Electronic Equipment (WEEE).

By ensuring this product is disposed of correctly you will help prevent potential negative consequences for the environment and human health, which could otherwise be caused by inappropriate waste handling of this product.

The symbol on the product indicates that this product may not be treated as household waste. Instead it shall be handed over to the appliance collection point for recycling of electrical and electronic equipment.

Disposal must be carried out in accordance with the local environmental regulations for waste disposal.

For more detailed information about treatment, recovery and recycling of this product, please contact your local city office, your household waste disposal service or the shop where you purchased the product.

## **Your Guarantee**

The guarantee conditions for this appliance are as defined by our representative in the country in which it is sold. Details regarding these conditions can be obtained from the dealer from whom the appliance was purchased. The bill of sale or receipt must be produced when making any claim under the terms of this guarantee.

Subject to change without notice.







®

GENERATION FUTURE



Printed in P.R.C  
0565 5309

