

LANGUAGES

English	1
Čeština	17
Español	33
Français	50
Italiano	67
Nederlands	84
Polskie	100
Português	117
Slovák	133
Dansk	149
Suomi	165
Norsk	181
Svenska	197
Slovenščina	213
Deutsch	229

English

Thank you for purchasing this product.

Before using your refrigerator, please carefully read this instruction manual in order to maximize its performance. Store all documentation for subsequent use or for other owners. This product is intended solely for household use or similar applications such as:

- the kitchen area for personnel in shops, offices and other working environments
- on farms, by clientele of hotels, motels and other environments of a residential type
- at bed and breakfasts (B & B)
- for catering services and similar applications not for retail sale.

This appliance must be used only for purposes of storage of food, any other use is considered dangerous and the manufacturer will not be responsible for any omissions. Also, it is recommended that you take note of the warranty conditions.

SAFETY INFORMATION

Please read the operating and installation instructions carefully!

They contain important information on how to install, use and maintain the appliance.

The manufacturer is not liable if you fail to comply with the instructions and warnings.

Retain all documents for subsequent use or for the next owner.

- **Do not connect the appliance to the electricity supply until all packing and transit protectors have been removed. Keep children away from packaging and its parts.**
Danger of suffocation from folding cartons and plastic film!
- **Leave to stand for at least 4 hours before switching on the product, to allow compressor oil to settle if transported horizontally.**
- **Make sure there is no transport damage.**
- **Do not damage the refrigerant circuit.**
- **Maintain the ventilation openings in the appliance enclosure or in the built-in structure, free of obstruction.**
- **Never use water to wash the compressor position, wipe it with a dry cloth thoroughly after cleaning to prevent rust.**
- **Handle the appliance always with at least two persons because it is heavy.**
- **Install and level the appliance in an area suitable for its size and use.**
- **Make sure that the electrical information on the rating plate agrees with the power supply. If it does not, contact an electrician.**
- **The appliance is operated by a 220-240 VAC/50 Hz power supply. Abnormal voltage fluctuation may cause the appliance to fail to start, or damage to the temperature control or compressor, or there may be an abnormal noise when operating. In such case, an automatic regulator shall be mounted.**
- **Only for UK: The appliance' s power cable is fitted with 3-cord**

(grounding) plug that fits a standard 3-cord (grounded) socket. Never cut off or dismount the third pin (grounding). After the appliance is installed, the plug should be accessible.

- **Make sure that mains cable is not caught under the appliance during and after carrying/moving the appliance, to avoid the mains cable becoming cut or damaged. If the supply cord is damaged, it must be replaced by the manufacturer, its service agent or similarly qualified person in order to avoid a hazard.**
- **Do not install the appliance in humid, oily or dusty places, nor expose it to direct sunlight and to water.**
- **Do not install the appliance near heaters or inflammable materials.**
- **FOR appliances with a freezer compartment: if there is a power failure do not open the lid. Frozen food should not be affected if the failure lasts for less than the hours indicated on the rating label (Temperature rise time). If the failure is longer, then the food should be checked and eaten immediately or cooked and then refrozen.**
- **If you find that the lid of the appliance is difficult to open just after you have closed it, don't worry. This is due to the pressure difference which will equalize and allow the lid to be opened normally after a few minutes.**
- **Do not store medicines, bacteria or chemical agents in the appliance. This appliance is a household appliance, it is not recommended to store materials that require strict temperatures.**
- **Do not excessively pull or fold the power cord or touch the plug with wet hands.**
- **Do not store products which contain flammable propellant (e.g. spray cans) or explosive substances in the appliance. Risk of explosion!**
- **Do not place unstable articles (heavy objects, containers filled with water) on top of the refrigerator, to avoid personal injury caused by falling or electric shock caused by contact with water.**
- **Do not use electrical appliances inside the food storage compartments, unless they are of the type recommended by the manufacturer.**
- **Do not touch internal cooling elements, especially with wet hands, to avoid cracks or injuries.**
- **At risk here are children, people who have limited physical, mental or sensory abilities, as well as people who have inadequate knowledge concerning safe operation of the appliance.**
- **Check that children and vulnerable people have understood the hazards. A person responsible for safety must supervise or instruct children and vulnerable people who are using the appliance. Only**

children aged 8 years and above may use the appliance.

- Children should not play with the appliance.
- Children aged from 3 to 8 years are allowed to load and unload this appliance.
- FOR appliances with a freezer compartment: do not store bottled or canned liquids (especially carbonated drinks) in the freezer compartment. Bottles and cans may burst!
- FOR appliances with a freezer compartment: never put frozen food straight from the freezer compartment in your mouth. Risk of low-temperature burns!
- Keep plastic parts and the door seal free of oil and grease. Otherwise, plastic parts and the door seal will become porous.
- Before performing any operation, unplug the power cord from the power socket.
- Do not use mechanical devices or other means to accelerate the defrosting process, other than those recommended by the manufacturer.
- Do not use pointed or sharp-edged objects such as knives or forks to remove the frost.
- Never use hairdryers, electrical heaters or other such electrical appliances for defrosting.
- It is recommended to keep the plug clean, any excessive dust residues on the plug can be the cause fire.
- Do not try to repair, disassemble or modify the appliance by yourself. In case of repair please contact always our customer service.
- Supervise children while the appliance is being cleaned or maintained.
- Do not clean the cold glass shelves with hot water. Sudden temperature change may cause the glass to break.
- **WARNING:** The tubes of the refrigeration circuit convey a small quantity of an environmentally friendly but flammable refrigerant (R600a) and insulating gas (cyclopentane). It does not damage the ozone layer and does not increase the greenhouse effect. If refrigerant escapes, it may injure your eyes or ignite.
- If the refrigerant circuit should be damaged:
 - Switch off the appliance and pull out the mains plug,
 - Keep naked flames and/or ignition sources away from the appliance,
 - Thoroughly ventilate the room for several minutes,
 - Inform customer service.
- **WARNING:** Do not damage the plug and/or the power cord; this could cause electrical shocks or fires.

- **WARNING: Do not use multiple portable socket-outlets or portable power supplies. We do not recommend the use of extension leads and multi-way adapters.**
- **Do not attempt to sit or stand on the top of the appliance. You could injure yourself or damage it. This appliance is not designed for stacking with any other ones.**
- **The product is designed and built for domestic household use only.**
- **Only original parts supplied by the manufacturer may be used. The manufacturer guarantees that only these parts satisfy the safety requirements.**
- **Opening the door for long periods can cause a significant increase of the temperature in the compartments of the appliance.**
 - Clean regularly surfaces that can come in contact with food and accessible drainage systems.
 - Clean water tanks if they have not been used for 48h; flush the water system connected to a water supply if water has not been drawn for 5 days.
 - Store raw meat and fish in suitable containers in the refrigerator, so that it is not in contact with or drip onto other food.
 - Two-star frozen-food compartments(if they are presented in the appliance) are suitable for storing pre-frozen food, storing or making ice-cream and making ice cubes.
 - One-, two- and three -star compartments, if present in the appliance, are not suitable for the freezing of fresh food.
 - If the appliance is left empty for long periods, switch off, defrost, clean, dry and leave the door open to prevent mould developing within the appliance.
- **FOR Wine Coolers: this appliance is intended to be used exclusively for the storage of wine**
- **FOR a free standing appliance: this refrigerating appliance is not intended to be used as a built-in appliance**
- **FOR appliances without a 4-star compartment: this refrigerating appliance is not suitable for freezing foodstuffs**

Scrapping old appliances



This appliance is marked according to the European directive 2012/19/EU on Waste Electrical and Electronic Equipment (WEEE).

WEEE contains both polluting substances (which can cause negative consequences for the environment) and basic components (which can be re-used). It is important to have WEEE subjected to specific treatments, in order to remove and dispose properly all pollutants, and recover and recycle all materials.

Individuals can play an important role in ensuring that WEEE does not become an environmental issue; it is essential to follow some basic rules:

- WEEE should not be treated as household waste;
- WEEE should be handed over to the relevant collection points managed by the municipality or by registered companies. In many countries, for large WEEE, home collection could be present.

In many countries, when you buy a new appliance, the old one may be returned to the retailer who has to collect it free of charge on a one-to-one basis, as long as the equipment is of equivalent type and has the same functions as the supplied equipment.

Conformity

By placing the **CE** mark on this product, we are confirming compliance to all relevant European safety, health and environmental requirements which are applicable in legislation for this product.

Guarantee

Minimum guarantee is: 2 years for EU Countries, 3 years for Turkey, 1 year for UK, 1 year for Russia, 3 years for Sweden, 2 years for Serbia, 5 years for Norway, 1 year for Morocco, 6 months for Algeria, Tunisia no legal warranty required.

Energy Saving

For better energy saving we suggest :

- Installing the appliance away from heat sources and not exposed to direct sunlight and in a well ventilated room.
- Avoid putting hot food into the refrigerator to avoid increasing the internal temperature and therefore causing continuous functioning of the compressor.
- Do not excessively stuff foods so as to ensure proper air circulation.
- Defrost the appliance in case there is ice to facilitate the transfer of cold.
- In case of absence of electrical energy, it is advisable to keep the refrigerator door closed.
- Open or keep the doors of the appliance open as little as possible
- Avoid adjusting the setting to temperatures too cold.
- Remove dust present on the rear of the appliance

Replaceable (LED only) light source by a professional

This product contains a light source of energy efficiency class G.

INSTALLATION INSTRUCTIONS

➤ **Before Using Your Wine cooler**

- Remove the exterior and interior packing.
- Before connecting the Wine cooler to the power source, let it stand upright for approximately 2 hours. This will reduce the possibility of a malfunction in the cooling system from handling during transportation.
- Clean the interior surface with lukewarm water using a soft cloth.
- When disposing your appliance, please choose an authorized disposal site.

➤ **Installation of Your Wine Cooler**

- This appliance is designed to be for free standing installation or built-in (fully recessed) (Refer to sticker location the back of this appliance).
- **This appliance is intended to be used exclusively for the storage of wine or beverages.**
- Place your Wine cooler on a floor that is strong enough to support it when it is fully loaded. To level your Wine cooler, adjust the front leveling leg at the bottom of the Wine cooler.
- This appliance is using flammability refrigerant. So never damage the cooling pipework during the transportation. Locate the Wine cooler away from direct sunlight and sources of heat (stove, heater, radiator, etc.). Direct sunlight may affect the acrylic coating and heat sources may increase electrical consumption. Extreme cold ambient temperatures may also cause the unit not to perform properly.
- Avoid locating the unit in moist areas.
- Plug the Wine cooler into an exclusive, properly installed-grounded wall outlet. Do not under any circumstances cut or remove the third (ground) prong from the power cord. Any questions concerning power and/or grounding should be directed toward a certified electrician or an authorized Products service center.

➤ **Attention**

- Store wine in sealed bottles;
- Do not overload the cabinet;
- Do not open the door unless necessary;
- Do not cover shelves with aluminum foil or any other shelf material which may prevent air circulation;
- Should the Wine cooler be stored without use for long periods it is suggested, after a careful cleaning, to leave the door ajar to allow air to circulate inside the cabinet in order to avoid possible formations of condensation, mold or odors.

➤ **Ambient Room Temperature Limits**

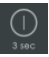



This appliance is designed to operate in ambient temperatures specified by its temperature class marked on the rating plate.

- extended temperate (SN): 'this refrigerating appliance is intended to be used at ambient temperatures ranging from 10 °C to 32 °C';
- temperate (N): 'this refrigerating appliance is intended to be used at ambient temperatures ranging from 16 °C to 32 °C';
- subtropical (ST): 'this refrigerating appliance is intended to be used at ambient temperatures ranging from 16 °C to 38 °C';



OPERATING YOUR WINE COOLER/BEVERAGE COOLER AND SETTING THE TEMPERATURE CONTROL

➤ Control System Instruction



- “  ” Button
To control this appliance turn on/off (press and hold this buttons for approximately 3 seconds).
- “  ” Button
To control the inner light turn on/off.
- “  ” Button
To set the temperature of the upper chamber.
- “  ” Button
To set the temperature of the lower chamber.
- **LED display window on the left**
To set the temperature of the upper chamber.
- **LED display window on the right**
To set the temperature of the lower chamber.
- **indicator light**
Compressor in operation display.

➤ Setting The Temperature Controls

- When pressing “  ” or “  ” button, the system will be entering the set up mode in the upper or lower compartment automatically. The LED will flashing and display the setting temperature.
Press once the button, the temperature will decrease or increase 1 °C. When exceeding the minimum value that can be established, it will jump to the highest adjustable temperature value automatically. After stopping pressing the button for 5 seconds, LED figure will stop flash, then revert back to display the temperature of the upper or lower compartment.
- After the unit is unplugged, the system will return to acquiescence temperature, which setting by factory. The acquiescence temperature as below:
Upper compartment: 6 °C
Lower compartment: 12 °C
- If want reveal every indoor setting temperature, please corresponding to press " Set Upper " or " Set Lower " button, the LED will flash and display the setting temperature. After stopping pressing the button for 5 seconds, LED figure will stop flash, then revert back to display the actual temperature.

Upper compartment: The temperature setting can be adjusted from 5°C to 10°C.

Lower compartment: The temperature setting can be adjusted from 10°C to 18°C.

➤ **Temperature Alarm**

If the temperature inside is higher than 23 °C, it will display "HI" on the display panel, and after one hour after the alarm / buzzer will sound. This indicates that the temperature inside is too high. If the temperature inside is lower than 0 °C, it will display "LO" on the display panel and at the same time the alarm also malfunction indicator is active

➤ **Temperature Recollection Function**

In the event of a power interruption, wine chiller can remember the previous temperature settings, and when the power is recovery, the cooler temperature will go back the same setting temperature as power off.

➤ **Internal light**

In order to reduce energy consumption, this wine cabinet will automatically switch off the LED lights after 10 minutes.

If you want the LED light to remain on continuously, this is possible. Please press and hold the "LIGHT" button for 5 seconds, the display will show "LP".After 4 seconds the display will revert back to normal and the light will remain on until manually switched off.

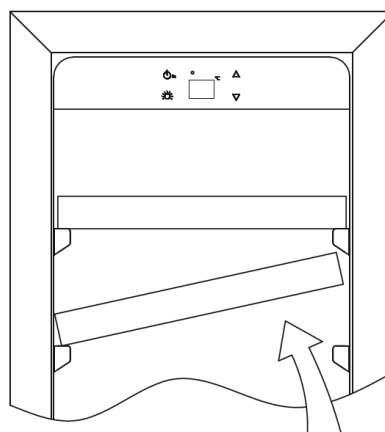
If you want to revert back and conserve energy (recommended), please press and hold the "LIGHT" button for 5 second, the display will show "LF",after 4 seconds the display will revert back to normal, and the light will automatically switch off after 10 minutes.

➤ **Shelves**

- To prevent damaging the door gasket, make sure to have the door all the way opened when pulling shelves out of the rail compartment.
- For easy access to the storage content, you must pull the shelves approximately 1/3 out of the rail compartment, however this unit was designed with a notch on each sides of the shelf tracks to prevent bottles from falling.
- When removing any of these shelves out of the rail compartment, To fit or remove the shelf, tilt the shelf as per the diagram and simply pull out, or push in the shelf until it sits on the support brackets securely.

➤ **NOTE:**

- If the unit is unplugged, power lost, or turned off, you must wait 3 to 5 minutes before restarting the unit. If you attempt to restart before this time delay, the Wine cooler/beverage cooler will not start.
- When you use the Wine cooler/beverage cooler for the first time or restart the Wine cooler/beverage cooler after having been shut off for a long time, there could be a few degrees variance between the temperature you select and the one indicated on the LED readout. This is normal and it is due to the length of the activation time. Once the Wine cooler/beverage cooler is running for a few hours everything will be back to normal.



➤ **How to change the door opening**

This appliance has reversible doors but is delivered with a right hinged door. The left hand hinge kit comes with the unit (in the box), should you wish to reverse the hinge on your unit.

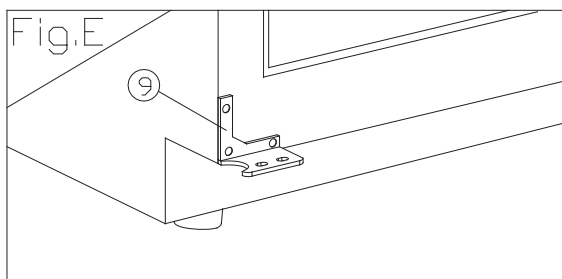
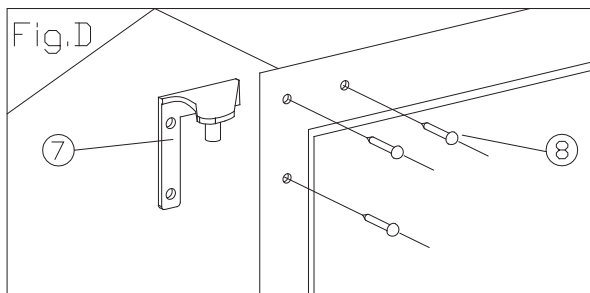
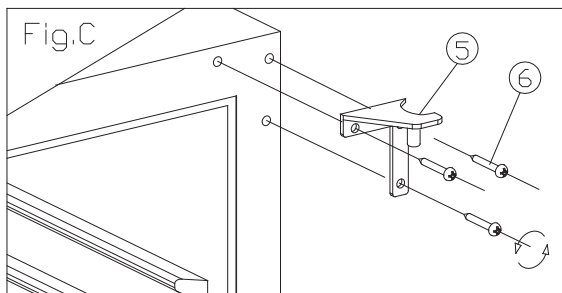
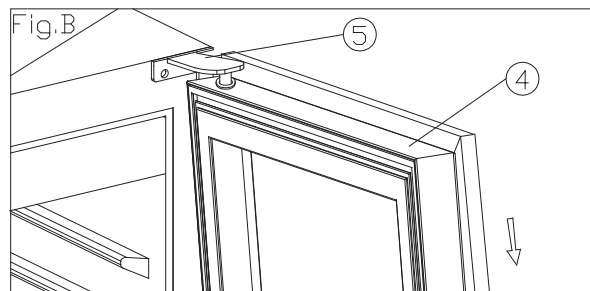
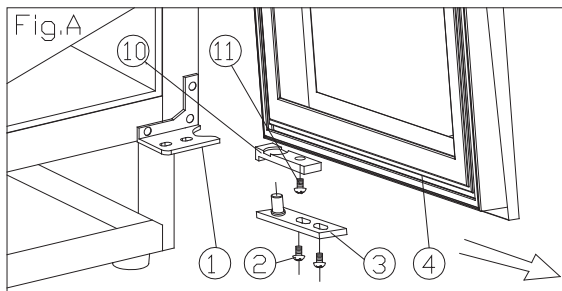
Type A (for full glass/stainless steel door)

- 1. Lower hinge (Right)
- 4. Door
- 7. Top hinge (Left)
- 10. Door limit device

- 2 . Screws
- 5. Top hinge (Right)
- 8. Hole cover
- 11. Screw

- 3 .Door axis
- 6. Hinge Screws
- 9. Lower hinge (Left)

1. Open the door to a 90 degrees angle, take out the 2 screws (2) from lower door axis (3), remove the door (4), Remove the axis plate (3) from the door, (Fig. A).
2. Unscrew the screw (11) located underneath the doorframe and the limit device (10), and relocate it at left end side of the door frame. (Fig. A/B)
3. Take out the 3 hinge screws (6) from the top hinge (right) (5) and remove it. (Fig. C)
4. Remove decorative nail (8) from left top of cabinet and install spare top hinge (Left) (7) at left top of cabinet with 3 screws. (Fig. D)
5. Following the above procedure, install the spare lower hinge to the left (9). (Fig. E)
6. Install and aligned the door.
7. Insert the plastic caps to cover the holes(8)

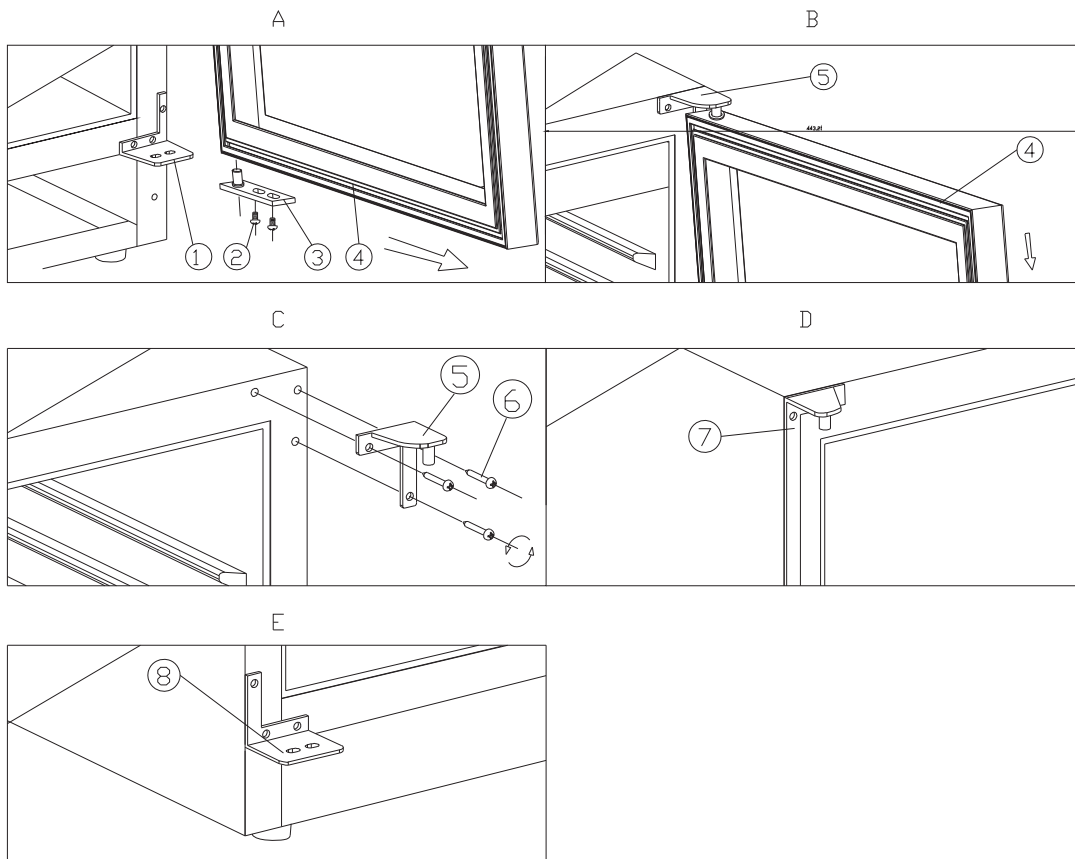


Type B (for slim stainless steel door)

- 1. Bottom hinge (Right)
- 2. 4. Door
- 7. Top hinge(Left)

- 2. Screws
- 5. Top hinge(Right)
- 8. Bottom hinge (Left)

- 3. Door axis
- 6. screws

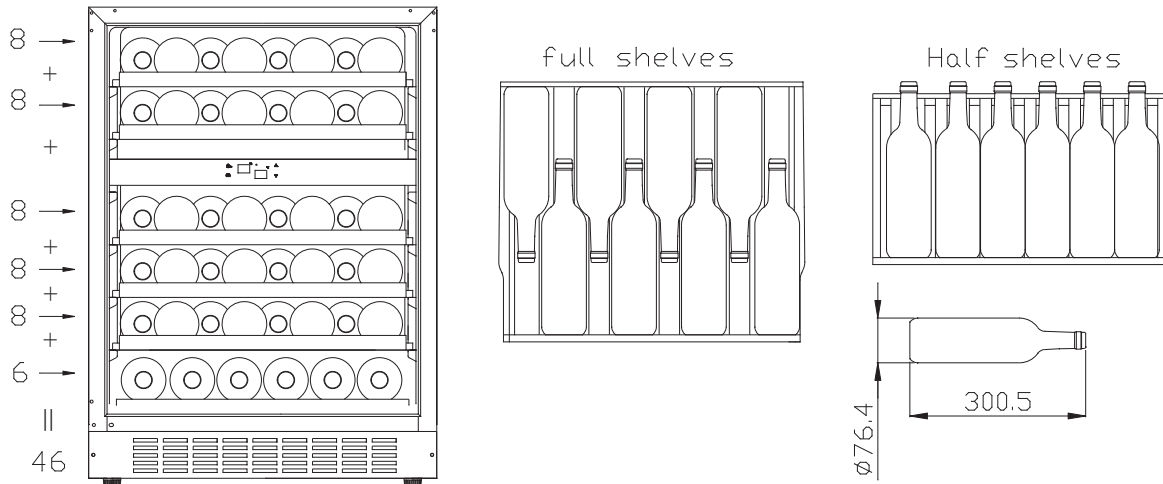


1. Remove 2 screws(1), then pulldoor(4) as per arrowhead direction, You will remove the door. Please remove bottom hinge(Right) (1) as well for the assembly. (Fig.A & Fig.B)
2. To remove 3 screws(6) of right upper Hinge, then to remove right upper(5) & Right bottom hinges(1). (See fig.C)
3. To use the screws which you removed From right side hinges to fix left upper & bottom hinges(7)(8) .(See Fig.D & Fig.E)
4. To rotate door at 180 degrees, then assemble the door as per the reverse way of remove

➤ **Storage diagram**

According to the actual configuration of your product, please check the relative Storage diagram.

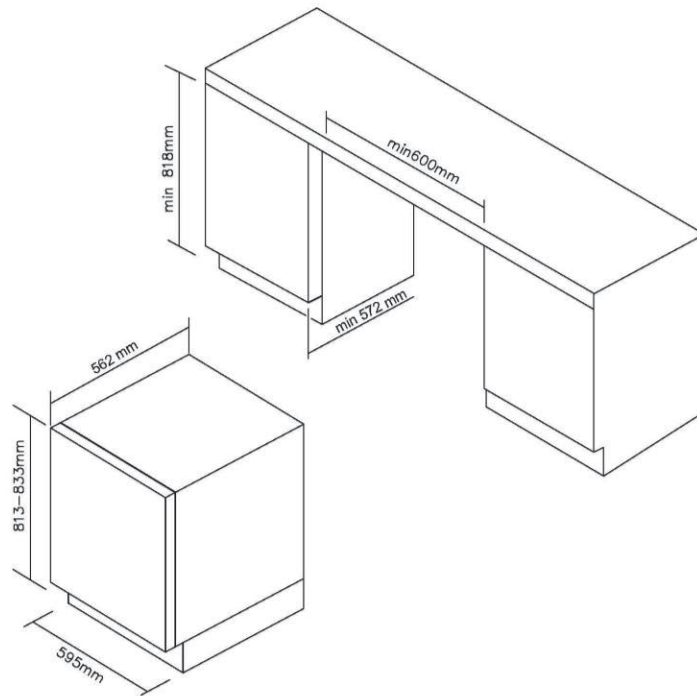
Total: 46 bottles (Max)



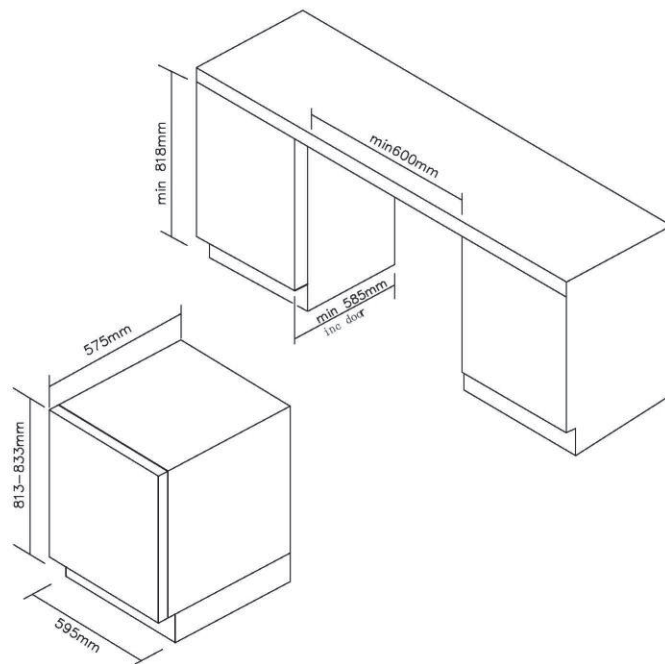
The most energy-saving configuration requires shelves to be positioned in the product, please refer to the above pictures.

➤ **Installation specifications for built-in purposes**

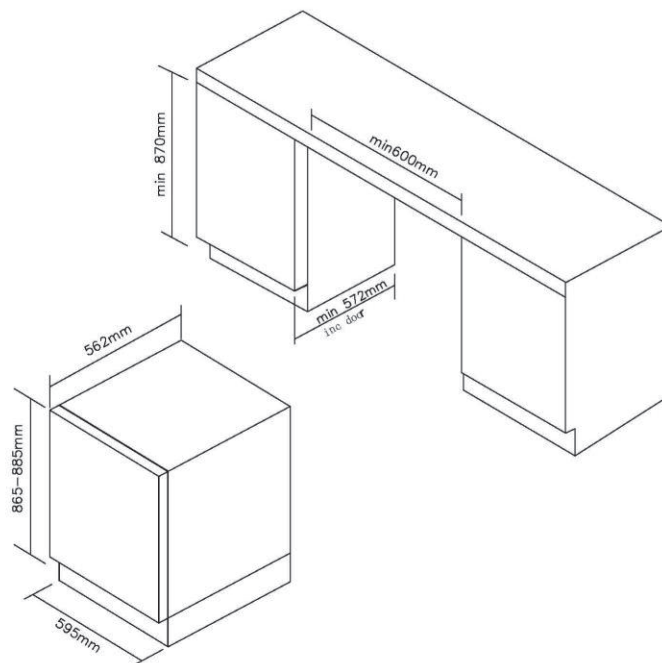
For height 813mm with full glass/stainless steel door



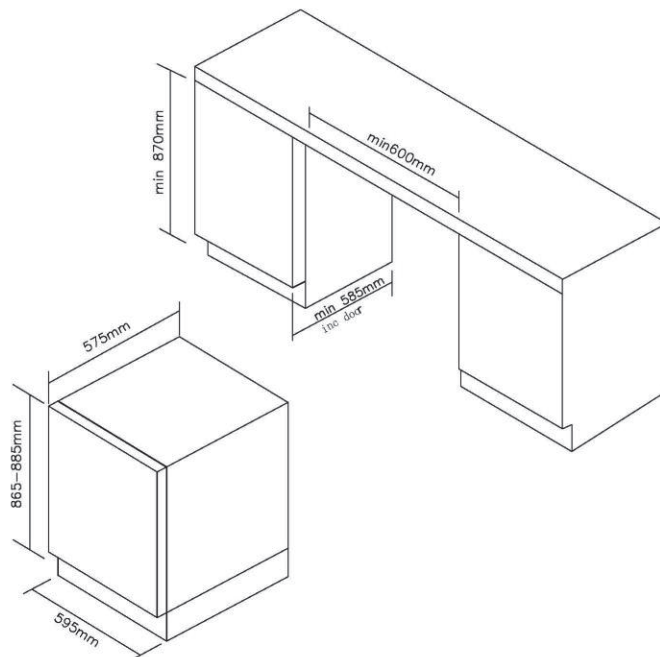
For height 813 with slim stainless steel door



For height 865mm with full glass/stainless steel door



For height 865mm with slim stainless steel door



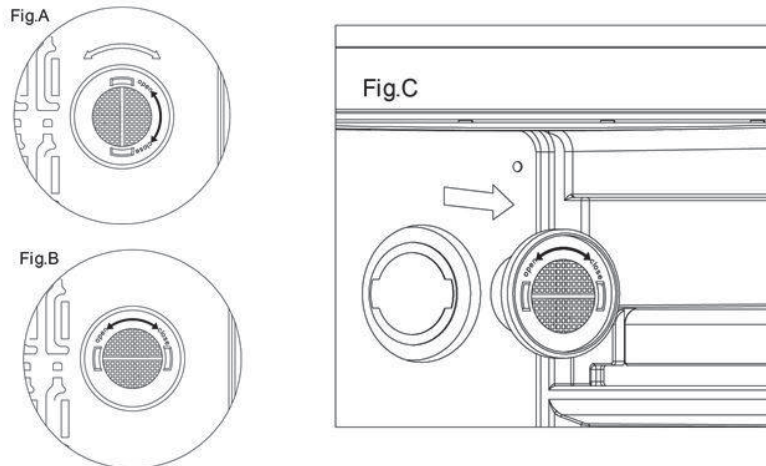
CARE AND MAINTENANCE

➤ Cleaning Your Wine Cooler

- Turn off the power, unplug the appliance, and remove all items including shelves and rack.
- Wash the inside surfaces with a warm water and baking soda solution. The solution should be about 2 tablespoons of baking soda to a quart of water.
- Wash the shelves with a mild detergent solution.
- Wring excess water out of the sponge or cloth when cleaning area of the controls, or any electrical parts.
- Wash the outside cabinet with warm water and mild liquid detergent. Rinse well and wipe dry with a clean soft cloth.

➤ **How to replace the charcoal filter (if present in your appliance)**

- Charcoal filters are located in the top right corner of each wine cabinet zone.
- Open the door and remove the top 2 shelves (see removing the shelves).
- Turn the filter as per Fig A.
- As per Fig B, the filter should line up with the notches as shown.
- Pull the filter out (Fig C).
- Insert replacement filter and twist as per Fig A to lock into position.
- Re-install the shelves.



➤ **Power Failure**

- Most power failures are corrected within a few hours and should not affect the temperature of your appliance if you minimize the number of times the door is opened. If the power is going to be off for a longer period of time, you need to take the proper steps to protect your contents.

➤ **Vacation Time**

- **Short vacations:** Leave the Wine Cooler operating during vacations of less than three weeks.
- **Long vacations:** If the appliance will not be used for several months, remove all items and turn off the appliance. Clean and dry the interior thoroughly. To prevent odor and mold growth, leave the door open slightly: blocking it open if necessary.

➤ **Moving Your Wine Cooler**

- Remove all items.
- Securely tape down all loose items (shelves) inside your appliance.
- Turn the adjustable leg up to the base to avoid damage.
- Tape the door shut.
- Be sure the appliance stays secure in the upright position during transportation. Also protect outside of appliance with a blanket, or similar item.

➤ **Energy Saving Tips**

- The Wine Cooler should be located in the coolest area of the room, away from heat producing appliances, and out of the direct sunlight.

PROBLEMS WITH YOUR WINE COOLER/BEVERAGE COOLER?

You can solve many common Wine cooler/beverage cooler problems easily, saving you the cost of a possible service call. Try the suggestions below to see if you can solve the problem before calling the servicer.

TROUBLESHOOTING GUIDE

PROBLEM	POSSIBLE CAUSE
Wine cooler/beverage cooler does not operate.	Not plugged in. The appliance is turned off. The circuit breaker tripped or a blown fuse.
Wine cooler/beverage cooler is not cold enough.	Check the temperature control setting. External environment may require a higher setting. The door is opened too often. The door is not closed completely. The door gasket does not seal properly.
Turns on and off frequently.	The room temperature is hotter than normal. A large amount of contents has been added to the Wine cooler/beverage cooler. The door is opened too often. The door is not closed completely. The temperature control is not set correctly. The door gasket does not seal properly.
The light does not work.	Not plugged in. The circuit breaker tripped or a blown fuse. The bulb has burned out. The light button is "OFF".
Vibrations.	Check to assure that the Wine cooler/beverage cooler is level.
The Wine cooler/beverage cooler seems to make too much noise.	The rattling noise may come from the flow of the refrigerant, which is normal. As each cycle ends, you may hear gurgling sounds caused by the flow of refrigerant in your Wine cooler/beverage cooler. Contraction and expansion of the inside walls may cause popping and crackling noises. The Wine cooler/beverage cooler is not level.
The door will not close properly.	The Wine cooler/beverage cooler is not level. The door was reversed and not properly installed. The gasket is dirty. The shelves are out of position.

To contact the technical assistance, visit our website: <https://corporate.haier-europe.com/en/>
Under the section "website", choose the brand of your product and your country. You will be redirected to the specific website where you can find the telephone number and form to contact the technical assistance

➤ **Availability Of Spare Parts**

- Thermostats, temperature sensors, printed circuit boards and light sources are available for a minimum period of seven years after placing the last unit of the model on the market.
- Door handles, door hinges, trays and baskets for a minimum period of seven years and door gaskets for a minimum period of 10 year, after placing the last unit of the model on the market.

Recommended temperature SETTINGS

For storing ALL TYPES OF WINES **12 °C to 14 °C**

Recommended DRINKING temperature

Champagne NV, Sparkling **6 °C**

Champagne Vintage **10 °C**

Dry White Semillon, Sauvignon Blanc **8 °C**

Dry White Gewürztraminer, Riesling **10 °C**

Dry White Chardonnay **10 °C**

Vintage Chardonnay **14 °C**

Sweet White Sauternes Monbazillac, Late Harvest ice wine **10 °C**

Sweet whites vintage Sauternes **14 °C**

Beaujolais **13 °C**

Red Pinot Noir **16 °C**

Vintage Pinot Noir red **18 °C**

Red Cabernet, Merlot, French, Australian, New Zealand, Chilean, Argentinean, Italian, Spanish, Californian **18 °C**

Red Grenache, Syrah **16 °C**

For further information about the product, please consult <https://eprel.ec.europa.eu/> or scan the QR on the energy label supplied with the appliance

Čeština

Děkujeme vám za zakoupení tohoto výrobku.

Před použitím chladničky si pozorně přečtěte tento návod k použití, abyste mohli maximálně využít jejích možností. Uchovejte veškerou dokumentaci pro pozdější použití nebo pro další majitele. Tento výrobek je určen výhradně pro použití v domácnosti nebo podobná využití, jako jsou:

- kuchyňské kouty pro zaměstnance v obchodech, kancelářích a na dalších pracovištích,
- statky, hotely, motely a další ubytovací zařízení,
- v ubytovacích zařízeních typu B&B (ubytování se snídaní),
- pro stravovací služby a podobná využití nikoli pro maloobchodní prodej.

Tento spotřebič se smí používat pouze pro účely skladování potravin, přičemž jakékoli jiné použití je považováno za nebezpečné a výrobce nenes odpovědnost za případné nedodržení pokynů. Doporučujeme vám také, abyste se seznámili se záručními podmínkami.

BEZPEČNOSTNÍ INFORMACE

Pozorně si přečtěte pokyny pro provoz a instalaci! Obsahují důležité informace o tom, jak instalovat, používat a udržovat spotřebič.

Jestliže nedodržíte pokyny a varování, výrobce neponese odpovědnost. Uchovejte všechny dokumenty pro následné použití nebo pro nového vlastníka

- **Nepřipojujte spotřebič k elektrickému napájení, dokud nebudou odstraněny všechny obaly a chrániče pro přepravu. Uchovávejte obalový materiál a jeho součásti mimo dosah dětí. Hrozí nebezpečí udušení skládacími krabicemi a plastovou fólií!**
- **Před zapnutím nechte stát nejméně 4 hodiny, aby se kompresorový olej mohl usadit, pokud byla přeprava prováděna v horizontální poloze.**
- **Při dodání zkontrolujte, zda produkt není poškozen a že všechny součásti a příslušenství jsou v dokonalém stavu.**
- **Nesmí dojít k poškození chladicího okruhu.**
- **Větrací otvory ve skříni spotřebiče nebo ve vestavné konstrukci musí zůstat volné.**
- **Nikdy nepoužívejte vodu k mytí polohy kompresoru, po očištění jej důkladně otřete suchým hadříkem, abyste zabránili korozi.**
- **Se spotřebičem vždy manipulujte alespoň ve dvou osobách, protože je těžký**
- **Nainstalujte spotřebič na místo odpovídající jeho velikost a používání a vyrovnejte ho**
- **Ujistěte se, že parametry elektrického napájení se shodují s údaji na typovém štítku. V opačném případě kontaktujte elektrikáře**
- **Spotřebič pracuje s napájením 220–240 VAC/50 Hz. Nenormální kolísání napětí může způsobit, že spotřebič se nespustí, nebo se poškodí regulátor teploty či kompresor, případně se může za chodu ozývat neobvyklý hluk. V takovém případě by se měl nainstalovat automatický regulátor**

- Pouze pro Spojené království: Napájecí kabel spotřebiče je vybaven trojpólovou zástrčkou (s uzemněním), která se zapojuje do standardní trojpólové zásuvky (s uzemněním). Nikdy neodřezávejte ani nedemontujte třetí kolík (uzemnění). Zástrčka by měla být přístupná po instalaci spotřebiče
- Dbejte na to, aby během přepravy a po přepravě/přemístování spotřebiče nebyl síťový kabel zachycen pod spotřebičem, aby nedošlo k přeseknutí nebo poškození síťového kabelu. Pokud je napájecí kabel poškozen, musí být vyměněn výrobcem, jeho servisním technikem nebo podobně kvalifikovanou osobou, aby se zabránilo nebezpečí.
- Neumísťujte spotřebič ve vlhkém, mastném nebo prašném prostředí, ani jej nevystavujte přímému slunečnímu záření a působení vody.
- Neumísťujte spotřebič do blízkosti topných těles nebo hořlavých materiálů.
- PRO spotřebiče s mrazákem: pokud dojde k výpadku napájení, neotevírejte víko. Jestliže trvá výpadek méně hodin, než je uvedeno na typovém štítku (Doba vzrůstu teploty), nemělo by to ovlivnit zmrazené potraviny. Jestliže trvá výpadek déle, je nutné potraviny zkontrolovat a okamžitě zkonzumovat, nebo uvařit a potom opět zmrazit
- Pokud zjistíte, že víko spotřebiče se ihned po zavření obtížně otvírá, nemějte obavy. Je to způsobeno rozdílem tlaku, který se vyrovná a za několik minut budete moci víko normálně otevřít
- Ve spotřebiči neskladujte léky, bakterie ani chemické látky. Tento spotřebič je určen k použití v domácnosti, nedoporučuje se v něm skladovat materiály, které vyžadují přesně stanovené teploty
- Netahejte silou za přívodní kabel ani jej neskládejte a nedotýkejte se zástrčky mokřýma rukama.
- Ve spotřebiči neskladujte látky obsahující hořlavý hnací plyn (např. aerosolové nádoby) nebo výbušné látky. Hrozí nebezpečí výbuchu!
- Nepokládejte na horní stranu chladničky nestabilní předměty (těžké předměty, nádoby naplněné vodou), aby se předešlo zranění způsobenému pádem nebo elektrickým proudem v důsledku styku s vodou
- Nepoužívejte elektrické spotřebiče uvnitř úložných oddílů pro potraviny ve spotřebiči, pokud nejsou tyto typy přímo doporučeny výrobcem.
- Nedotýkejte se vnitřních chladicích prvků, zejména mokřýma rukama, aby nedošlo k prasknutí nebo zranění.
- Nebezpečí hrozí dětem, osobám s omezenými fyzickými, smyslovými nebo duševními schopnostmi, stejně jako osobám s nedostatečnými

znalostmi o bezpečném používání spotřebiče. Zkontrolujte, zda děti a ohrožené osoby chápou nebezpečí. Osoba zodpovědná za bezpečnost musí dohlížet na děti a ohrožené osoby používající spotřebič, nebo je musí poučit. Spotřebič mohou používat pouze děti starší osmi let"

- Děti si se spotřebičem nesmějí hrát.
- Děti ve věku od 3 do 8 let mohou do tohoto spotřebiče vkládat a vyjímat z něj věci.
- PRO spotřebiče s mrazákem: neukládejte do mrazáku tekutiny v láhvách nebo plechovkách (zejména nápoje sycené oxidem uhličitým). Láhve a plechovky mohou prasknout!
- PRO spotřebiče s mrazákem: nikdy nevkládejte do úst zmrazené potraviny přímo z mrazáku. Hrozí nebezpečí vzniku omrzlin!
- Chraňte plastové součásti a těsnění dveří před olejem a tukem. Jinak by se na plastových součástech a těsnění dveří mohly vytvořit póry
- Před provedením jakéhokoli úkonu odpojte napájecí kabel ze zásuvky.
- Nepoužívejte mechanické nástroje nebo jiné prostředky k urychlení procesu odmrazování, pokud nejsou doporučeny výrobcem.
- K odstranění námrazy nepoužívejte špičaté nebo ostré předměty, jako jsou nože nebo vidličky. K odmrazování nikdy nepoužívejte vysoušeče vlasů, elektrické ohřívače nebo jiné podobné elektrické spotřebiče.
- Doporučuje se udržovat zástrčku v čistotě, neboť nadměrný nános prachu na zástrčce může být příčinou požáru.
- Nepokoušejte se opravovat, rozebírat nebo upravovat spotřebič vlastními silami. Je-li nutná oprava, vždy se obraťte na náš zákaznický servis.
- Během čištění nebo údržby spotřebiče dohlížejte na děti.
- Nečistěte chladné skleněné police horkou vodou. Náhlá změna teploty by mohla způsobit, že sklo praskne.
- VAROVÁNÍ: V trubicích chladicího okruhu proudí malé množství chladiva (R600a) a izolačního plynu (cyklopentanu); tyto látky jsou šetrné k životnímu prostředí, ale hořlavé. Nepoškozují ozónovou vrstvu a nezvyšují účinky skleníkového efektu. Pokud chladivo unikne, mohlo by vám poškodit zrak, nebo by se mohlo vznítit.
- Pokud dojde k poškození okruhu chladiva:
 - Vypněte spotřebič a vytáhněte zástrčku ze zásuvky.
 - Nepřibližujte se ke spotřebiči s otevřeným plamenem a/nebo zdroji vznícení.
 - Důkladně vyvětrejte místnost, větrejte několik minut.
 - Informujte zákaznický servis.

- **VAROVÁNÍ:** Nepoškodte zástrčku a/nebo napájecí kabel; mohlo by to způsobit úraz elektrickým proudem nebo požár.
- **VAROVÁNÍ:** Nepoužívejte přenosné rozbočovací zásuvky ani přenosné zdroje napájení.
Nedoporučujeme používat prodlužovací kabely ani rozbočovací adaptéry.
- Nepokoušejte se sedat si nebo stoupat na horní stranu spotřebiče. Mohli byste se zranit nebo poškodit spotřebič. Spotřebič není konstruován pro umístění na jiné spotřebiče.
- Produkt je navržen a vyroben pouze pro domácí použití v domácnosti.
- Lze používat pouze originální náhradní díly dodané výrobcem. Výrobce zaručuje, že pouze takové díly splňují bezpečnostní požadavky.
- Otevírání dveří na dlouhou dobu může v oddílech spotřebiče způsobit výrazné zvýšení teploty
- Pravidelně čistěte povrchy, které mohou přijít do styku s potravinami, a přístupné odvodňovací systémy
- Vyčistěte nádržky na vodu, pokud nebyly použity po dobu 48 hodin; pokud voda nebyla odebrána po dobu 5 dnů, propláchněte vodní systém připojený k přívodu vody
- Syrové maso a ryby skladujte ve vhodných nádobách v chladničce tak, aby nepřicházely do kontaktu s jinými potravinami nebo aby z nich nekapalo na jiné potraviny
- Dvuhvězdičkové oddíly pro zmrazené potraviny (pokud se ve spotřebiči nacházejí) jsou vhodné pro skladování předem zmrazených potravin, skladování nebo výrobu zmrzliny a výrobu kostek ledu
- Jedno-, dvou- a tříhvězdičkové oddíly (pokud se ve spotřebiči nacházejí) nejsou vhodné pro zmrazování čerstvých potravin
- Pokud necháváte spotřebič dlouhou dobu prázdný, vypněte jej, odmrazte, vyčistěte, vysušte a nechte dveře otevřené, aby se zabránilo tvorbě plísní uvnitř spotřebiče
- U spotřebičů pro uchovávání vína: Tento spotřebič je určen výhradně k uchovávání vína
- U volně stojícího spotřebiče: Tento chladicí spotřebič není určen k vestavění
- U spotřebičů bez prostoru označeného čtyřmi hvězdičkami: Tento chladicí spotřebič není vhodný pro mražení potravin

Likvidace starých spotřebičů



Tento spotřebič je označen v souladu s evropskou směrnicí 2012/19/EU o odpadních elektrických a elektronických zařízeních (WEEE).

Spotřebič podléhající WEEE obsahuje znečišťující látky (které mohou mít negativní dopad na životní prostředí) a základní součásti (které lze znovu použít). U spotřebiče podléhajícího WEEE je důležité nechat provést zvláštní zpracování, aby všechny znečišťující látky byly odstraněny a řádně zlikvidovány a aby všechny materiály byly obnoveny a zrecyklovány.

Jednotlivci mohou hrát důležitou roli při zajišťování toho, aby se spotřebič podléhající WEEE nestal zátěží pro životní prostředí. Je nezbytné dodržovat několik základních pravidel:

- Spotřebič podléhající WEEE se nesmí likvidovat jako domovní odpad;
- Spotřebič podléhající WEEE se musí předat na příslušné sběrné místo pod správou obce nebo autorizovaných společností. V mnoha zemích může být v případě velkých spotřebičů podléhajících WEEE k dispozici domovní sběr.

V mnoha zemích, když si zakoupíte nový spotřebič, můžete starý spotřebič vrátit prodejci, který jej musí přijmout zdarma na základě výměny kus za kus, pokud je zařízení stejného typu a má stejné funkce jako dodané zařízení.

Shoda

Umístěním značky **CE** na tento produkt potvrzujeme shodu se všemi příslušnými evropskými požadavky na bezpečnost, zdraví a životní prostředí, které se uplatňují dle právních předpisů pro tento produkt.

Záruka

Minimální záruka je: 2 roky pro země EU, 3 roky pro Turecko, 1 rok pro Spojené království, 1 rok pro Rusko, 3 roky pro Švédsko, 2 roky pro Srbsko, 5 let pro Norsko, 1 rok pro Maroko, 6 měsíců pro Alžírsko, pro Tunisko není vyžadována žádná právní záruka.

Úspora energie

Pro lepší úsporu energie doporučujeme:

- Instalujte spotřebič v dobře větrané místnosti, daleko od zdrojů tepla a nevystavujte jej přímému slunečnímu záření.
- Vyvarujte se vkládání horkých potravin do chladničky, abyste se vyhnuli nárůstu vnitřní teploty a s tím spojenému nepřetržitému chodu kompresoru.
- Neukládejte nadměrné množství potravin, aby bylo zajištěno dostatečné proudění vzduchu.
- Odmrazujte spotřebič v případě výskytu ledu, abyste usnadnili přenos chladu.
- V případě výpadku elektrické energie se doporučuje nechat dveře chladničky zavřené.
- Otevírejte nebo ponechávejte dveře spotřebiče otevřené v co nejmenším možném rozsahu.
- Vyvarujte se úpravě nastavení na příliš nízké teploty.
- Odstraňujte prach ze zadní části spotřebiče.

Vyměnitelný světelný zdroj (pouze LED), výměnu musí provést odborník
Tento výrobek obsahuje světelný zdroj s třídou energetické účinnosti G.

POKYNY K INSTALACI

➤ **Před použitím chladničky na víno**

- Odstraňte vnější a vnitřní obal.
- Před připojením chladničky na víno ke zdroji napájení ji nechte stát přibližně 2 hodiny ve vzpřímené poloze. Tím se sníží možnost závady chladicího systému manipulací při přepravě.
- Očistěte vnitřní plochy měkkou utěrkou namočenou ve vlažné vodě.
- Při likvidaci spotřebiče zvolte autorizované místo likvidace.

➤ **Instalace chladničky na víno**

- Tento spotřebič je určen k instalaci ve volném stoje nebo vestavěný (plně zapuštěný) (viz umístění nálepky na zadní straně tohoto spotřebiče).
- **Tento spotřebič je určen výhradně pro skladování vína nebo nápojů.**
- Umístěte chladničku na víno na dostatečně pevnou podlahu, aby ji po plném naložení unesla. Chcete-li vyrovnat chladničku na víno, nastavte přední vyrovnávací nohu ve spodní části chladničky na víno.
- Tento spotřebič používá hořlavé chladivo, takže během přepravy nikdy nepoškozujte chladicí potrubí. Umístěte chladničku na víno mimo přímé sluneční světlo a zdroje tepla (sporák, topení, radiátor atd.). Přímým slunečním osvitem by se mohl poškodit akrylový povrch a blízké zdroje tepla by mohly zvýšit spotřebu elektrické energie. Extrémně nízká okolní teplota může také vést k tomu, že spotřebič nebude fungovat správně.
- Nedávejte jednotku do vlhkých míst.
- Připojte chladničku na víno do vyhrazené, řádně uzemněné zásuvky. Za žádných okolností neodřezávejte ani jinak neodstraňujte z dodané napájecí šňůry třetí (uzemňovací) kolík. Se všemi otázkami ohledně napájení či uzemnění se obraťte přímo na kvalifikovaného elektrikáře nebo autorizované servisní středisko výrobce.

➤ **Pozor**

- Skladujte víno v uzavřených lahvích;
- Skříň nepřeplyňte;
- Neotvírejte dvířka, pokud to není nutné;
- Nezakrývejte police hliníkovou fólií nebo jiným materiálem, který by mohl bránit proudění vzduchu;
- Pokud je chladnička na víno skladována bez použití po dlouhou dobu, doporučuje se po pečlivém vyčištění nechat dvířka otevřená, aby mohl vzduch cirkulovat uvnitř skříně, aby nedocházelo k tvorbě kondenzace, plísní nebo zápachu.

➤ **Mezní hodnoty okolní teploty**

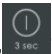



Tento spotřebič je konstruován pro provoz při okolních teplotách stanovených jeho teplotní třídou vyznačenou na jmenovitém štítku.

- Rozšířené mírné pásmo (SN): „Tento chladicí spotřebič je určen k používání při teplotách okolí od 10 °C do 32 °C.“
- Mírné pásmo (N): „Tento chladicí spotřebič je určen k používání při teplotách okolí od 16 °C do 32 °C.“
- Subtropické pásmo (ST): „Tento chladicí spotřebič je určen k používání při teplotách okolí od 16 °C do 38 °C.“
- Tropické pásmo (T): „Tento chladicí spotřebič je určen k používání při teplotách okolí od 16 °C do 43 °C.“



PROVOZ CHLADNIČKY NA VÍNO/CHLADNIČKY NA NÁPOJE A NASTAVENÍ REGULACE TEPLoty

➤ Pokyny pro ovládací systém



- **Tlačítko „“**
Pro ovládání zapnutí/vypnutí tohoto spotřebiče (stiskněte a podržte tato tlačítka přibližně 3 sekundy).
- **Tlačítko „“**
Pro ovládání zapnutí/vypnutí vnitřního osvětlení.
- **Tlačítko „“**
Nastavení teploty horní komory.
- **Tlačítko „“**
Nastavení teploty spodní komory.
- **Okno LED displeje vlevo**
Nastavení teploty horní komory.
- **Okno LED displeje vpravo**
Nastavení teploty spodní komory.
- **Kontrolka**
Kompresor na provozním displeji.

➤ Nastavení regulace teploty

- Stisknutím tlačítka „“ nebo „“ systém automaticky přejde do režimu nastavení v horní nebo spodní přihrádce. LED indikátor bude blikat a zobrazí nastavenou teplotu. Stisknutím tlačítka se teplota sníží nebo zvýší o 1 °C. Při překročení minimální hodnoty, která může být stanovena, automaticky přeskočí na nejvyšší nastavitelnou hodnotu teploty. Po uvolnění tlačítka na 5 sekund LED obrázek přestane blikat, a poté se vrátí zpět a zobrazí se teplota horní nebo spodní přihrádky.
- Po odpojení jednotky se systém vrátí na souhlasnou teplotu, která je nastavena v továrně. Níže uvedená souhlasná teplota:
Horní přihrádka: 6 °C
Spodní přihrádka: 12 °C
- Chcete-li zobrazit každou vnitřní teplotu, stiskněte tlačítko „Set Upper“ (Nastavit horní) nebo „Set Lower“ (Nastavit dolní), LED bude blikat a zobrazí nastavenou teplotu. Po uvolnění tlačítka na 5 sekund LED obrázek přestane blikat, a poté se vrátí zpět a zobrazí se skutečná teplota.

Horní přihrádka: Teplotu lze nastavit od 5 °C do 10 °C.

Spodní přihrádka: Teplotu lze nastavit od 10 °C do 18 °C.

➤ **Teplotní alarm**

Pokud je teplota uvnitř vyšší než 23 °C, na displeji se zobrazí „HI“ , a po jedné hodině zazní alarm / bzučák. To znamená, že teplota uvnitř je příliš vysoká. Pokud je teplota uvnitř nižší než 0 °C, na displeji se zobrazí „LO“ a současně je aktivní indikátor poruchy i alarmu.

➤ **Funkce obnovení teploty**

V případě přerušení napájení si chladnička na víno může zapamatovat předchozí nastavení teploty a při obnovení napájení se teplota chladničky vrátí na stejnou nastavenou teplotu jako při vypnutí napájení.

➤ **Vnitřní osvětlení**

Aby se snížila spotřeba energie, v této vinotéce se automaticky vypne LED osvětlení po 10 minutách. Pokud chcete, aby LED osvětlení nepřetržitě svítilo, je to možné. Stiskněte a podržte tlačítko „LIGHT“ (OSVĚTLENÍ) po dobu 5 sekund, na displeji se zobrazí „LP“. Po 4 sekundách se displej vrátí do normálu a osvětlení zůstane rozsvíceno, dokud se ručně nevypne.

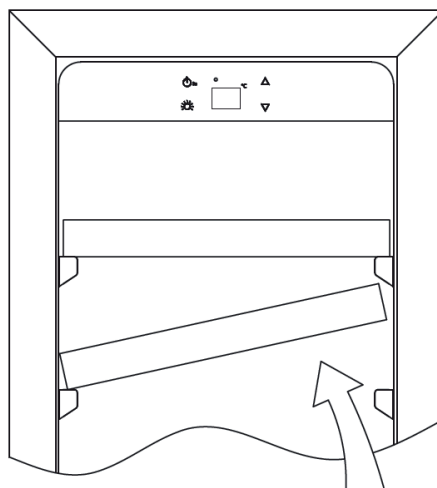
Chcete-li se vrátit k původnímu nastavení a šetřit energii (doporučeno), stiskněte a podržte tlačítko „LIGHT“ (OSVĚTLENÍ) po dobu 5 sekund, na displeji se zobrazí „LF“, po 4 sekundách se displej vrátí zpět do normálu a osvětlení se automaticky vypne po 10 minutách.

➤ **Police**

- Aby nedošlo k poškození těsnění dvířek, ujistěte se, že jsou při vytahování polic z prostoru kolejnice dvířka zcela otevřená.
- Pro snadný přístup k uloženému obsahu je nutné vytáhnout police přibližně z 1/3 z prostoru kolejnice, nicméně tato jednotka byla navržena se zářezem na obou stranách kolejí pro police, aby se zabránilo pádu lahví.
- Chcete-li při vyjímání kterékoli z těchto polic z prostoru kolejnice vložit nebo vyjmout polici, nakloňte polici podle schématu a jednoduše ji vytáhněte nebo zatlačte, dokud se bezpečně neuloží na podpěrné konzoly.

➤ **POZNÁMKA:**

- Pokud je jednotka odpojena, dojde ke ztrátě nebo vypnutí napájení, musíte před restartováním vyčkat 3 až 5 minut. Pokud se pokusíte restartovat před tímto zpožděním, chladnička na víno/chladnička na nápoje se nespustí.
- Při prvním použití chladničky na víno/chladničky na nápoje nebo restartování chladničky na víno/chladničky na nápoje po dlouhém vypnutí může dojít k několika stupňům rozdílu mezi vámi zvolenou teplotou a teplotou uvedenou na LED indikátoru. To je běžné a je to kvůli délce aktivací doby. Jakmile bude chladnička na víno/chladnička na nápoje několik hodin v provozu, vše se vrátí do normálu.



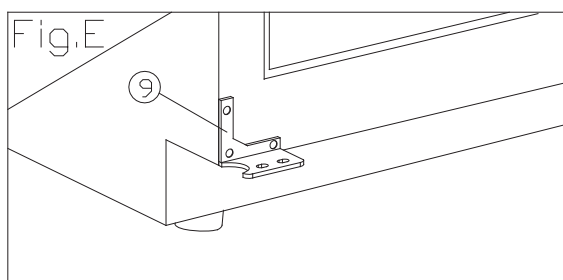
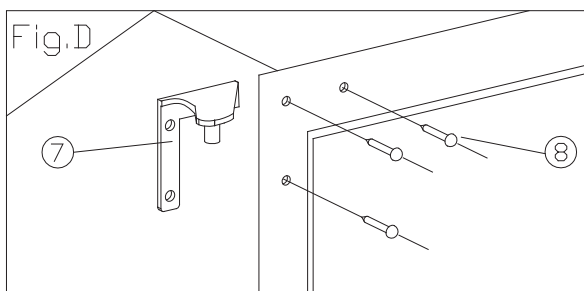
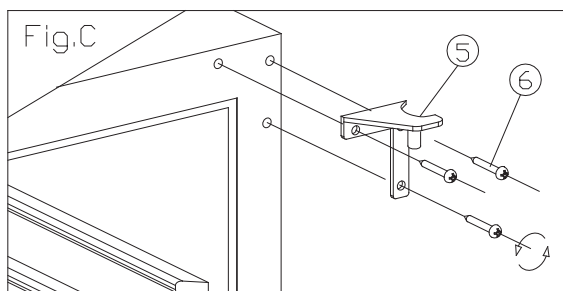
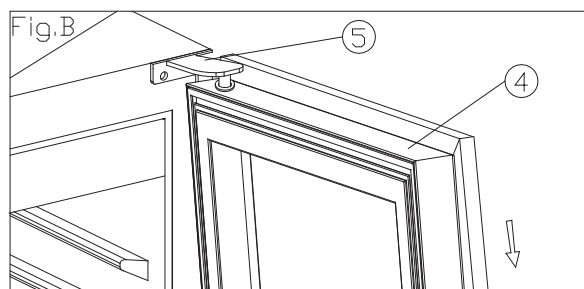
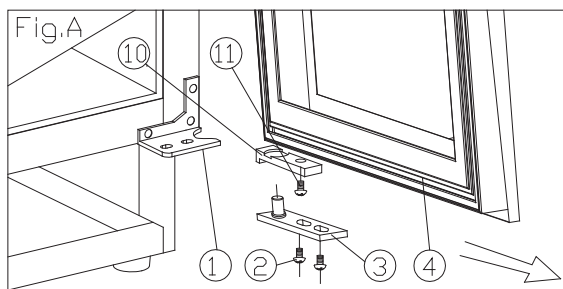
➤ Jak změnit otevírání dvířek

Tento spotřebič má reverzibilní dvířka, ale dodává se s dvířky zavěšenými vpravo. Sada levého závěsu je dodávána s jednotkou (v krabici), pokud chcete změnit stranu závěsu na jednotce.

Typ A (pro celoskleněné / nerezové dveře)

- | | | |
|-------------------------|------------------------|------------------------|
| 1. Spodní závěs (pravý) | 2. Šrouby | 3. Osa dvířek |
| 4. Dvířka | 5. Horní závěs (pravý) | 6. Závěsné šrouby |
| 7. Horní závěs (levý) | 8. Kryt otvoru | 9. Spodní závěs (levý) |
| 10. Omezovač dvířek | 11. Šroub | |

1. Otevřete dvířka pod úhlem 90 stupňů, vyjměte 2 šrouby (2) z osy spodních dvířek (3), vyjměte dvířka (4), vyjměte osovou destičku (3) ze dvířek, (obr. A).
2. Odšroubujte šroub (11) umístěný pod rámem dvířek a omezovačem (10) a přemístěte jej na levou stranu rámu dvířek. (obr. A/B)
3. Vyberte 3 šrouby závěsu (6) z horního závěsu (pravý) (5) a vyjměte jej. (obr. C)
4. Odstraňte ozdobný hřebík (8) z levého horního okraje skříně a namontujte náhradní horní závěs (levý) (7) v levém horním okraji skříně pomocí 3 šroubů. (obr. D)
5. Podle výše uvedeného postupu nainstalujte nalevo náhradní spodní závěs (9). (obr. E)
6. Namontujte a zarovnejte dvířka.
7. Vložte plastové uzávěry, abyste zakryli otvory (8).



Typ B (pro tenké dveře z nerezové oceli)

1. Dolní závěs (vpravo)

4. Dvířka

7. Horní závěs (vlevo)

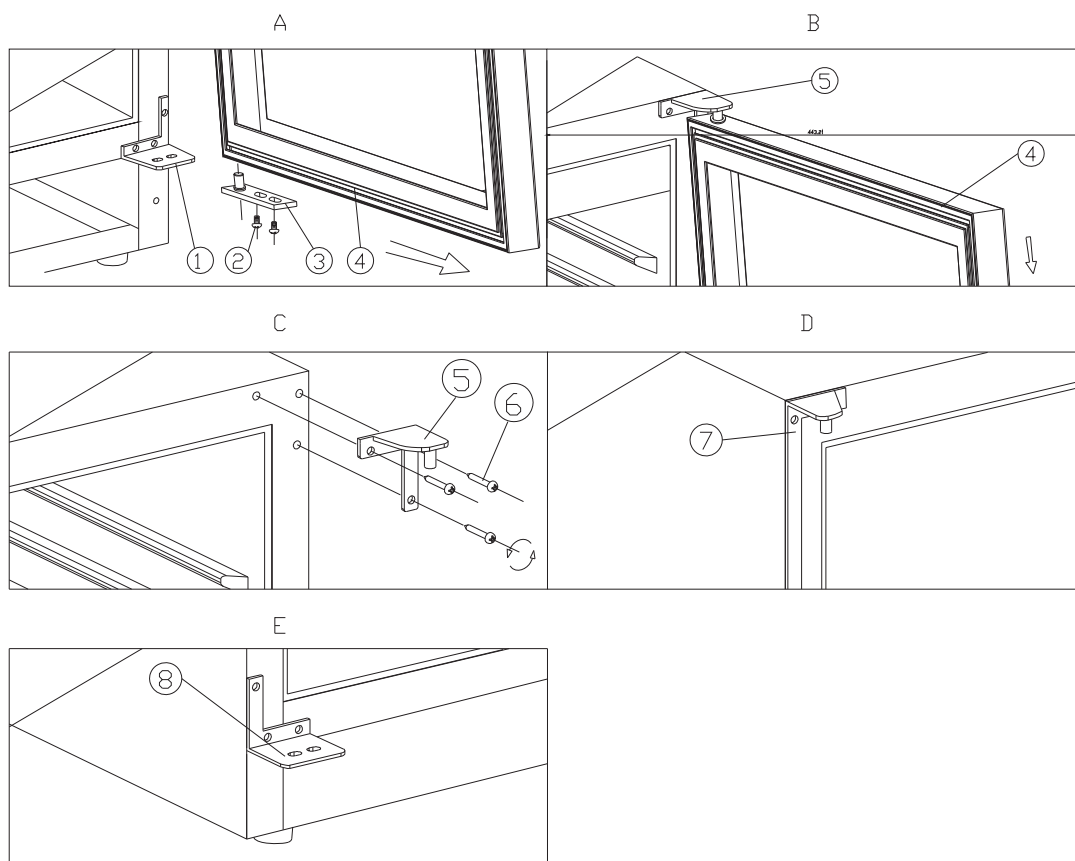
2. Šrouby

5. Horní závěs (pravý)

8. Dolní závěs (vlevo)

3. Osa dvířek

6. Šrouby

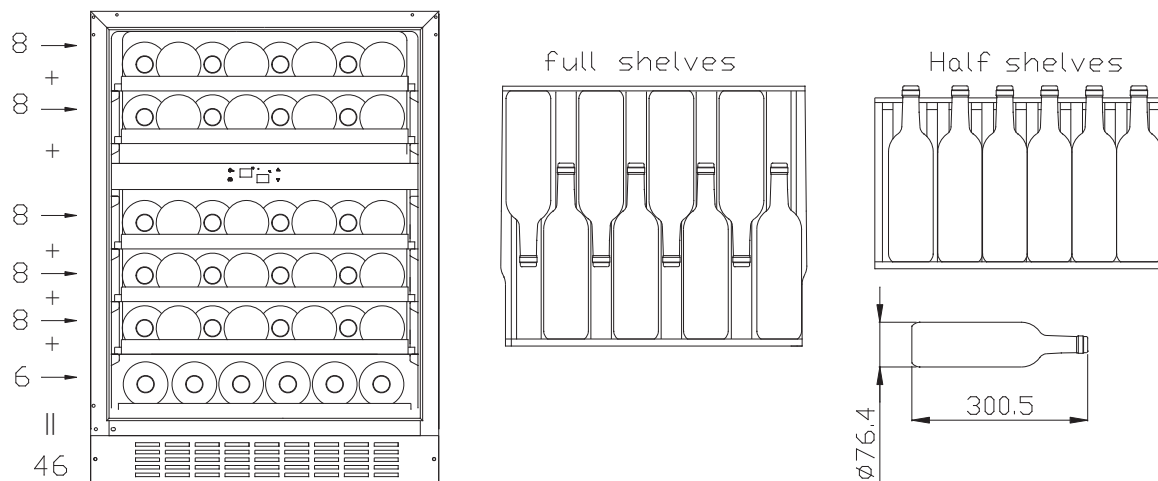


1. Demontujte 2 šrouby (2), poté zatáhněte za dvířka (4) podle směru šipky a dolní závěs (vpravo) (1), také pro montáž. (Obr. A a obr. B)
2. Demontujte 3 šrouby (6) pravého horního závěsu a odstraňte pravý horní (5) a pravý dolní závěs (1). (Viz obr. C)
3. Použijte šrouby, které jste odstranili z pravých bočních závěsů pro upevnění levých horních a spodních závěsů (7) (8). (Viz obr. D a obr. E)
4. Otočte dvířka o 180 stupňů, a poté je namontujte opačným způsobem jako při demontáži.

➤ **Schéma uložení**

V závislosti od aktuální konfigurace vašeho produktu zkontrolujte příslušné schéma uložení.

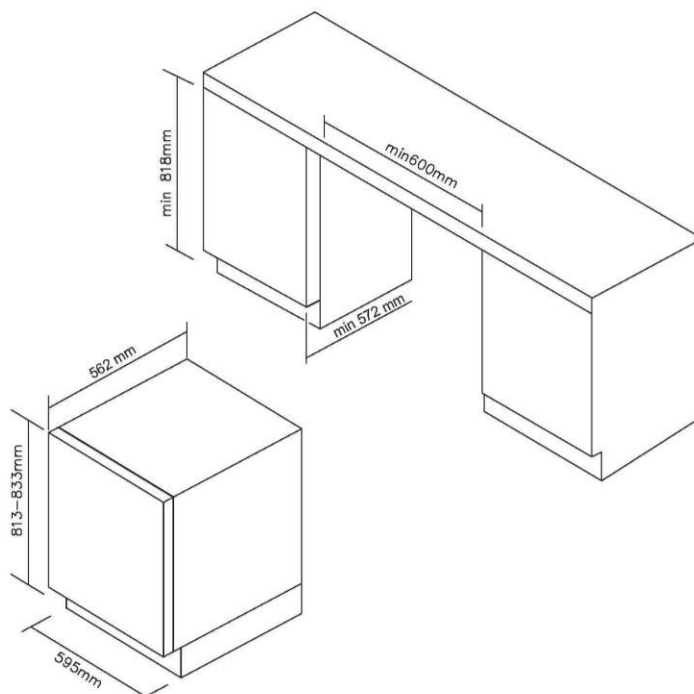
Celkem: 46 lahví (max.)



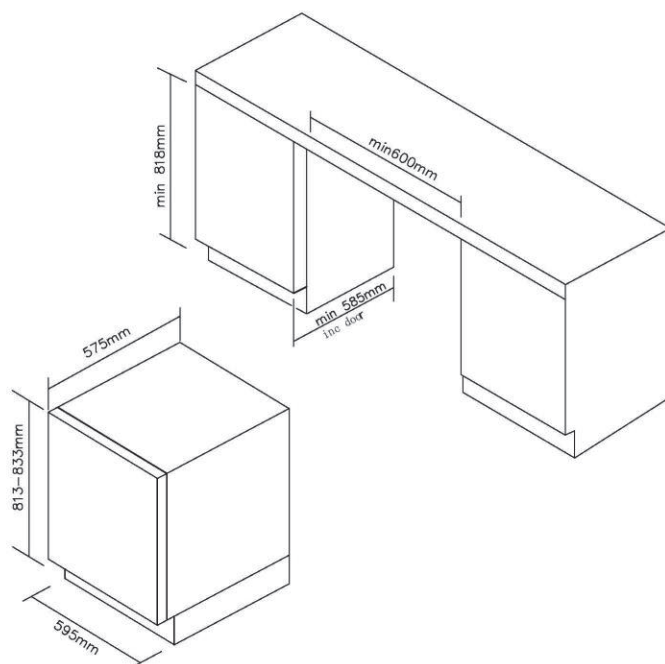
Energeticky nejúspornější konfigurace vyžaduje, aby byly ve spotřebiči nainstalovány police, viz obrázky výše.

➤ **Specifikace instalace pro zabudování**

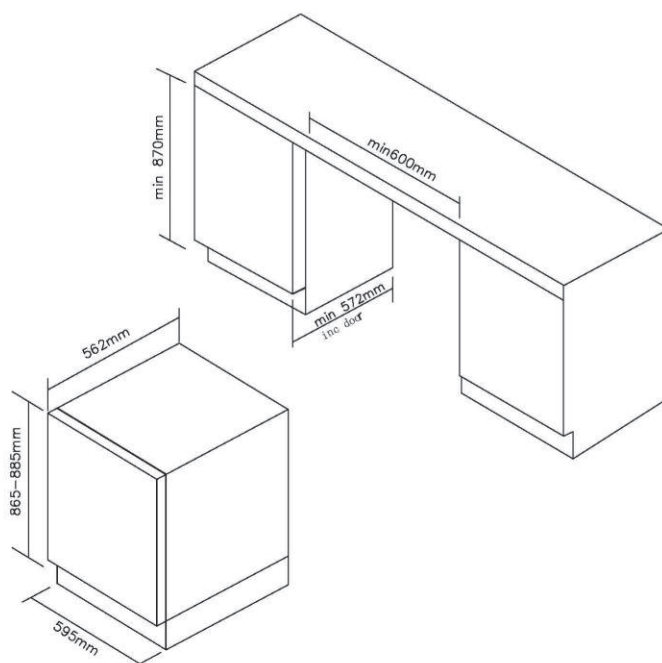
Pro výšku 813 mm s celoskleněnými / nerezovými dveřmi



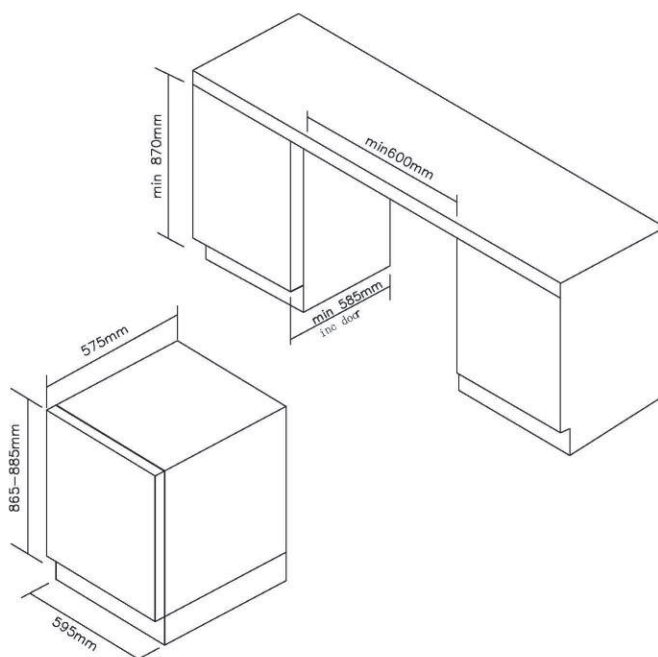
Pro výšku 813 mm s úzkými nerezovými dvířky



Pro výšku 865 mm s celoskleněnými / nerezovými dveřmi



Pro výšku 865 mm s úzkými nerezovými dvířky



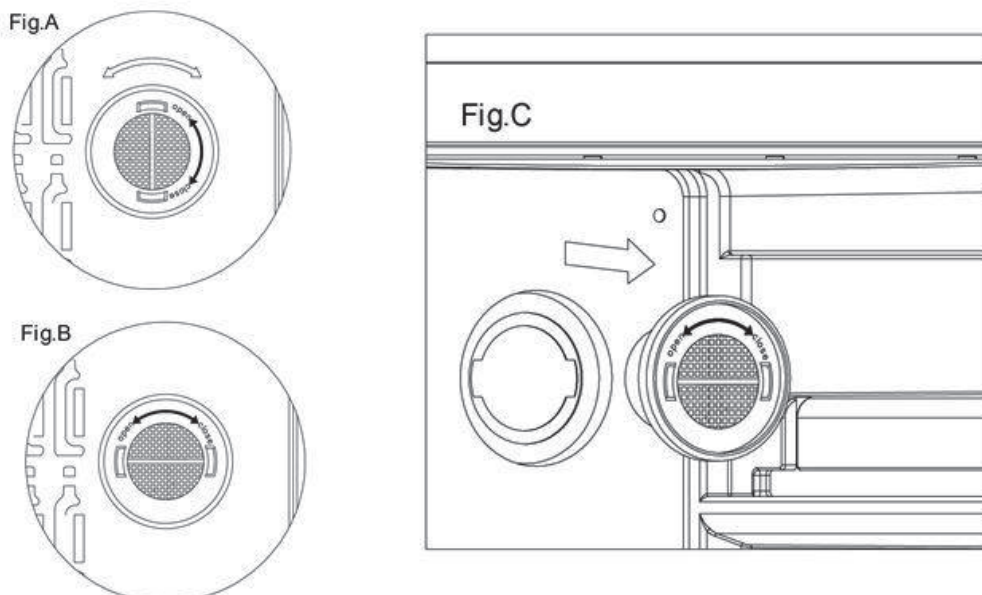
PÉČE A ÚDRŽBA

➤ Čištění chladničky na víno

- Vypněte napájení, odpojte spotřebič a odstraňte všechny položky, včetně polic a stojanu.
- Vnitřní povrchy umyjte roztokem teplé vody s jedlou sodou. Pro vytvoření roztoku rozpustíte 2 polévkové lžice v jednom litru vody.
- Police umyjte jemným roztokem čisticího prostředku.
- Při čištění oblasti ovládacích prvků nebo jakýchkoli elektrických částí odstraňte přebytečnou vodu z houby nebo hadříku.
- Vnější povrch umyjte teplou vodou a jemným tekutým čisticím prostředkem. Dobře opláchněte a otřete do sucha čistým měkkým hadříkem.

➤ **Jak vyměnit uhlíkový filtr (pokud jsou ve vašem spotřebiči přítomny)**

- Uhlíkové filtry jsou umístěny v pravý horní roh každé zóny vinotéky.
 - Otevřete dvířka a vyjměte 2 horní police (viz vyjmutí polic).
 - Otočte filtr podle obr. A.
 - Podle obr. B by měl být filtr zarovnán se zářezy, jak je znázorněno na obrázku.
 - Vytáhněte filtr (obr. C).
 - Vložte náhradní filtr a otočte jej podle obr. A, aby byl zajištěn.
 - Vložte police zpět.



➤ **Výpadek dodávky elektřiny**

- Většina výpadků napájení je vyřešena během několika hodin a neměla by ovlivnit teplotu spotřebiče, pokud minimalizujete počet otevření dvířek. Při dlouhodobějším výpadku proudu musíte přijmout opatření na ochranu vín v ní uložených.

➤ **Doba dovolené**

- **Krátká dovolená:** Během dovolené kratší než tři týdny nechte chladničku na víno v provozu.
- **Dlouhá dovolená:** Pokud nebude spotřebič používán několik měsíců, odstraňte všechny položky a vypněte jej. Vyčistěte a důkladně vysušte vnitřek spotřebiče. Abyste zabránili vzniku zápachu a plísní, nechte dvířka mírně otevřená: v případě potřeby je zablokujte otevřená.

➤ **Přemístění chladničky na víno**

- Vyberte všechny položky.
- Upevněte pečlivě všechny volné díly (police) uvnitř spotřebiče.
- Nastavitelnou nohu otočte nahoru k základně, aby nedošlo k poškození.
- Zajistěte dvířka páskou.
- Během přepravy zajistěte, aby spotřebič zůstal ve vzpřímené poloze. Chraňte také vnější povrch spotřebiče příkrývkou nebo podobným předmětem.

➤ **Tipy pro úsporu energie**

- Chladnička na víno by měla být umístěna v nejchladnější části místnosti, mimo dosah spotřebičů produkujících teplo a mimo přímé sluneční světlo.

PROBLÉMY S CHLADNIČKOU NA VÍNO/CHLADNIČKOU NA NÁPOJE?

Mnoho běžných problémů s chladničkou na víno/chladničkou na nápoje můžete snadno vyřešit, čímž ušetříte náklady na možný servisní hovor. Než zavoláte na servis, pokuste se problém vyřešit podle níže uvedených doporučení.

PRŮVODCE ŘEŠENÍM PROBLÉMŮ

PROBLÉM	MOŽNÁ PŘÍČINA
Chladnička na víno/chladnička na nápoje nefunguje.	Není zapojená v zásuvce. Spotřebič je vypnutý. Vypadlý jistič nebo spálená pojistka.
V chladničce na víno/chladničce na nápoje není dostatečný chlad.	Zkontrolujte nastavení regulace teploty. Je možné, že je v daném prostředí nutno nastavit nižší teplotu. Dveře jsou otevírané příliš často. Dveře nejsou řádně zavřené. Dveřní těsnění netěsní.
Často se zapíná a vypíná.	Teplota v místnosti je vyšší než normálně. Do chladničky na víno/chladničky na nápoje bylo přidáno velké množství obsahu. Dveře jsou otevírané příliš často. Dveře nejsou řádně zavřené. Ovladač teploty není správně nastavený. Dveřní těsnění netěsní.
Světlo nesvítí.	Není zapojená v zásuvce. Vypadlý jistič nebo spálená pojistka. Žárovka je spálená. Tlačítko osvětlení je „VYPNUTO“.
Vibrace.	Zkontrolujte, zda je chladnička na víno/chladnička na nápoje vyrovnaná.
Zdá se, že chladnička na víno/chladnička na nápoje vydává příliš velký hluk.	Hrčení může být způsobeno prouděním chladiva, což je normální. Jak každý cyklus končí, můžete slyšet bublání způsobené průtokem chladiva v chladničce na víno/chladničce na nápoje. Kontrakce a rozšíření uvnitř stěn může způsobit pukání a praskání. Chladnička na víno/chladnička na nápoje není vyrovnaná.
Dveře se nedají řádně zavřít.	Chladnička na víno/chladnička na nápoje není vyrovnaná. Dvířka byla obrácena a nebyla správně nainstalována. Těsnění je znečištěné. Police nejsou na svém místě.

Chcete-li kontaktovat technickou pomoc, navštivte naše webové stránky: <https://corporate.haier-europe.com/en/>. V sekci „websites“ vyberte značku vašeho produktu a vaši zemi. Budete přeměrováni na konkrétní webovou stránku, kde najdete telefonní číslo a formulář pro kontaktování technické pomoci

➤ **Dostupnost náhradních dílů**

- Termostaty, teplotní čidla, desky plošných spojů a zdroje světla, po dobu alespoň sedmi let poté, co byl na trh uveden poslední kus daného modelu;
- Dveřní kliky, dveřní závěsy, přihrádky a koše po dobu alespoň sedmi let a těsnění dveří po dobu alespoň deseti let poté, co byl na trh uveden poslední kus daného model

Doporučená NASTAVENÍ teploty

Pro skladování VŠECH DRUHŮ VÍN

12 °C to 14 °C

Doporučená PITNÁ teplot

Šampaňské neročnickové, šumivé

6 °C

Šampaňské ročnickové

10 °C

Suchý bílý semilon, Sauvignon Blanc

8 °C

Suchý bílý Gewürztraminer, Ryzlink

10 °C

Suché bílé Chardonnay

10 °C

Ročnickové Chardonnay

14 °C

Sladké bílé Sauternes Monbazillac, pozdní sklizeň ledového vína

10 °C

Sladké bílé ročnickové Sauternes

14 °C

Beaujolais

13 °C

Rulandské modré

16 °C

Ročnickové Rulandské modré

18 °C

Červený Cabernet, Merlot, francouzský, australský, novozélandský, chilský, argentinský, italský, španělský, kalifornský

18 °C

Red Grenache, Syrah

16 °C

Další informace o produktu naleznete na adrese <https://eprel.ec.europa.eu/> nebo naskenujte QR na energetickém štítku dodaném se zařízením

Español

Gracias por comprar este producto.

Antes de utilizar el frigorífico, lea con atención el manual de instrucciones para aprovechar al máximo sus prestaciones. Guarde toda la documentación para utilizarla más adelante o para otros propietarios. Este producto es para uso doméstico o para aplicaciones similares exclusivamente; por ejemplo:

- Cocina para el personal de tiendas, oficinas y otros lugares de trabajo
- Fincas rústicas, clientes de hoteles, moteles y otros entornos residenciales
- Habitaciones de huéspedes (Bed and Breakfasts)
- Servicios de catering y aplicaciones similares no destinadas a la venta al por menor

Este electrodoméstico solo debe utilizarse para conservar alimentos, cualquier otro uso se considera peligroso y el fabricante no se responsabilizará cuando se incumplan las instrucciones. Asimismo, se recomienda tomar nota de las condiciones de la garantía.

INFORMACIÓN DE SEGURIDAD

¡Lea atentamente las instrucciones de funcionamiento e instalación! Contienen información importante sobre cómo instalar, utilizar y mantener este electrodoméstico. El fabricante no se hace responsable si no cumple las instrucciones y advertencias. Guarde todos los documentos para consultas o propietarios futuros."

- **No conecte el electrodoméstico a la red eléctrica hasta retirar por completo todos los embalajes y protectores para el transporte. Mantenga a los niños alejados del embalaje y de sus partes. ¡ Los cartones plegables y el film plástico suponen un peligro de asfixia!"**
- **Si el electrodoméstico se ha transportado en horizontal, espere al menos 4 horas antes de encenderlo para que el aceite del compresor se asiente.**
- **Cuando reciba el electrodoméstico, compruebe que no está dañado y que todos los componentes y accesorios se encuentran en perfecto estado.**
- **No dañe el circuito de refrigerante.**
- **Mantenga despejadas las ranuras de ventilación de la carcasa del electrodoméstico o de la estructura integrada.**
- **No utilice agua para limpiar la zona del compresor; pase meticulosamente un trapo seco después de limpiar para evitar que se oxide.**
- **Este electrodoméstico es pesado: manipúlelo con la ayuda de otra persona.**
- **Instale y nivele el electrodoméstico en un área adecuada para su tamaño y uso.**
- **Asegúrese de que la información eléctrica de la etiqueta de características coincida con la fuente de alimentación. Si no es así, póngase en contacto con un electricista.**
- **Este electrodoméstico funciona mediante una fuente de alimentación de 220-240 V CA/50 Hz. Una fluctuación anormal del**

voltaje puede provocar que el electrodoméstico no se ponga en marcha, o que se dañe el control de temperatura o el compresor, o que se oiga un ruido anormal durante el funcionamiento. En tal caso, se deberá instalar un regulador automático.

- Solo para el Reino Unido: El cable de alimentación de este electrodoméstico está equipado con un enchufe de 3 cables (a tierra) que se ajusta a una toma de corriente estándar de 3 cables (a tierra). No corte ni desmonte la tercera patilla (toma de tierra). Una vez instalado el electrodoméstico, el enchufe debe ser accesible.
- Asegúrese de que el cable eléctrico no quede atrapado debajo el electrodoméstico durante y después de su transporte/traslado para evitar cortes o daños en el cable. Para evitar riesgos, el fabricante, su representante de servicio o cualquier otra persona cualificada deben cambiar cualquier cable de alimentación que esté dañado
- No instale el electrodoméstico en lugares húmedos, con grasa o polvo, ni lo exponga a la luz solar directa y al agua.
- No instale el electrodoméstico cerca de calentadores o materiales inflamables.
- PARA electrodomésticos con compartimento congelador: en caso de corte del suministro eléctrico, no abra la puerta. Los alimentos congelados no deben verse afectados si el corte dura menos que las horas indicadas en la etiqueta de valores máximos (tiempo de aumento de la temperatura). Si el corte se prolonga durante más tiempo, deberá procederse a la comprobación de los alimentos y consumirse de inmediato; también se pueden cocinar y volver a congelar.
- Si le resulta difícil abrir la puerta del electrodoméstico justo después de cerrarla, no se preocupe. Esto se debe a la diferencia de presión que deberá ecualizarse para permitir que la puerta vuelva a abrirse normalmente transcurridos unos minutos.
- No almacene medicamentos, bacterias ni agentes químicos en el electrodoméstico. Este aparato es un electrodoméstico: no se recomienda almacenar materiales que requieran temperaturas extremas.
- No tire del cable ni doble demasiado; tampoco debe tocar el enchufe con las manos mojadas.
- No almacene productos que contengan propelentes inflamables (p.ej.: aerosoles) o sustancias explosivas en el electrodoméstico. ¡ Peligro de explosión!
- No coloque artículos inestables (objetos pesados, recipientes llenos de agua) en la parte superior del frigorífico, a fin de evitar lesiones

personales causadas por caídas o descargas eléctricas causadas por el contacto con el agua.

- No utilice aparatos eléctricos dentro de los compartimentos para la conservación de alimentos del electrodoméstico, a menos que sean del tipo que recomienda el fabricante.
- Para evitar cortes o lesiones, no toque los elementos internos de refrigeración, sobre todo con las manos húmedas.
- Aquí están en riesgo los niños, las personas con capacidades físicas, mentales o sensoriales limitadas y las personas con conocimientos inadecuados sobre el funcionamiento seguro de este electrodoméstico. Compruebe que los niños y las personas vulnerables hayan entendido los riesgos. Una persona responsable de la seguridad debe supervisar o instruir a los niños y a las personas vulnerables que utilicen este electrodoméstico. Solo los niños mayores de 8 años pueden usar este electrodoméstico.
- Los niños no deben jugar con el electrodoméstico
- Está permitido que los niños de 3 a 8 años de edad carguen o descarguen este aparato.
- PARA electrodomésticos con compartimento congelador: no almacene líquidos embotellados o enlatados (especialmente bebidas carbonatadas) en el congelador. ¡Las botellas y latas pueden explotar!
- PARA electrodomésticos con compartimento congelador: nunca se ponga alimentos congelados en la boca directamente desde el congelador. ¡Peligro de quemaduras por baja temperatura!
- Mantenga las piezas de plástico y la junta de la puerta limpias de aceite y grasa. De lo contrario, las partes plásticas y la junta de la puerta se volverán porosas.
- Antes de realizar cualquier operación, desconecte el cable eléctrico de la toma de corriente.
- No utilice aparatos mecánicos ni otros medios para acelerar el proceso de descongelación y siga las recomendaciones del fabricante.
- No utilice objetos afilados o puntiagudos, como cuchillos o tenedores, para quitar el hielo. Nunca utilice secadores de pelo, calentadores eléctricos u otros aparatos eléctricos para descongelar el electrodoméstico.
- Se recomienda mantener limpio el enchufe. Cualquier acumulación excesiva de polvo en el enchufe podría originar un incendio.
- No intente reparar, desmontar o modificar este electrodoméstico por su cuenta. En caso de necesitar reparación, póngase siempre en contacto con nuestro servicio de atención al cliente.

- **Supervise a los niños mientras se realizan tareas de limpieza o mantenimiento en el electrodoméstico.**
- **No limpie los estantes de cristal fríos con agua caliente. El cambio repentino de temperatura puede causar que el vidrio se rompa.**
- **ADVERTENCIA: Los tubos del circuito de refrigeración transportan una pequeña cantidad de refrigerante ecológico pero inflamable (R600a) y gas aislante (ciclopentano). No daña la capa de ozono y no aumenta el efecto invernadero. Si se producen fugas de refrigerante, este puede causar lesiones en los ojos o inflamarse.**
- **En caso de producirse daños en el circuito de refrigerante:**
 - **Apague el electrodoméstico y desenchúfelo de la red eléctrica.**
 - **Mantenga las llamas abiertas y/o las fuentes de ignición alejadas del electrodoméstico.**
 - **Ventile la habitación durante varios minutos.**
 - **Informe al servicio de atención al cliente.**
- **ADVERTENCIA: No dañe el enchufe o el cable de alimentación; esto podría provocar incendios o descargas eléctricas.**
- **ADVERTENCIA: No utilice tomas de corriente múltiples portátiles ni fuentes de alimentación portátiles. No recomendamos el uso de cables prolongadores ni adaptadores con varias tomas.**
- **No intente sentarse o ponerse de pie en la parte superior del electrodoméstico. Esto podría dañarlo o sufrir lesiones personales. Este electrodoméstico no se puede instalar apilado sobre otro.**
- **El electrodoméstico es un producto diseñado y fabricado para el uso doméstico.**
- **Solo pueden usarse piezas originales suministradas por el fabricante. El fabricante garantiza que solo estas piezas cumplen los requisitos de seguridad.**
- **Abrir la puerta durante un tiempo prolongado puede provocar un aumento significativo de la temperatura en los compartimentos del electrodoméstico**
- **Limpie regularmente las superficies que puedan entrar en contacto con alimentos y sistemas de drenaje accesibles**
- **Limpie los depósitos de agua si no se han utilizado durante 48 horas. Enjuague el sistema de agua conectado al suministro de agua si no se ha extraído agua durante 5 días**
- **Guarde la carne y el pescado crudos en recipientes adecuados en el frigorífico, para evitar que entren en contacto con otros alimentos o goteen sobre ellos**
- **Los compartimentos de congelación de dos estrellas (si el aparato dispone de ellos) son adecuados para conservar alimentos precongelados, guardar o hacer helados y producir cubitos de hielo**

- **Los compartimentos de una, dos y tres estrellas (si el aparato dispone de ellos) no son adecuados para congelar alimentos frescos**
- **Para evitar la aparición de moho, el aparato se debe apagar, descongelar, limpiar y secar, además de dejar la puerta abierta, cuando vaya a permanecer vacío durante largos periodos de tiempo**
- **En el caso de los armarios para la conservación de vinos: Aparato destinado a utilizarse exclusivamente para la conservación de vinos**
- **En el caso de los aparatos de libre instalación: Este aparato no está destinado a utilizarse como aparato encastrable**
- **En el caso de los aparatos sin compartimento de cuatro estrellas: Este aparato no es adecuado para la congelación de productos alimenticios**

Desguace de electrodomésticos antiguos



Este electrodoméstico tiene la marca de conformidad con la Directiva europea 2012/19/UE sobre residuos de aparatos eléctricos y electrónicos (RAEE).

Los RAEE contienen sustancias contaminantes (que pueden tener consecuencias negativas para el medio ambiente) y componentes básicos (que pueden reutilizarse). Es importante someter los RAEE a procedimientos específicos para eliminar y desechar de manera correcta todos los contaminantes, además de recuperar y reciclar todos los materiales.

Todos personalmente somos importantes cuando se trata de garantizar que los RAEE no se conviertan en un problema ambiental. Para esto, es fundamental respetar algunas reglas básicas:

- Los RAEE no deben tratarse como residuos domésticos.
- Los RAEE deben entregarse en los puntos de recogida pertinentes que gestionan los municipios o las empresas autorizadas. En algunos países existe un servicio de recogida de RAEE de gran tamaño.

En muchos países se puede entregar el electrodoméstico antiguo al comprar otro nuevo en el establecimiento, que deberá recogerlo de forma gratuita siempre que se trate de un aparato equivalente y que tenga las mismas funciones que el suministrado.

Conformidad

Al colocar la marca **CE** en este producto, declaramos, bajo nuestra propia responsabilidad, el cumplimiento de todos los requisitos europeos en términos de seguridad, salud y medio ambiente, establecidos en la legislación para este producto.

Garantía

La garantía mínima es: 2 años para los países de la UE, 3 años para Turquía, 1 año para el Reino Unido, 1 año para Rusia, 3 años para Suecia, 2 años para Serbia, 5 años para Noruega, 1 año para Marruecos y 6 meses para Argelia. En Túnez no se requiere garantía legal.

Ahorro energético

Para ahorrar más energía, recomendamos lo siguiente:

- Instale el electrodoméstico en un lugar con buena ventilación, que esté lejos de fuentes de calor y no quede expuesto a la luz solar directa.
- Procure no guardar alimentos calientes en el frigorífico para evitar que la temperatura interior aumente y el compresor funcione de manera continua.
- No introduzca demasiados alimentos para garantizar una circulación de aire adecuada.
- Descongele el electrodoméstico si tiene hielo para facilitar la transferencia del frío.
- Si se corta la corriente eléctrica, es aconsejable mantener las puertas del frigorífico cerradas.
- Abra las puertas o manténgalas abiertas lo menos posible.
- Evite ajustar temperaturas demasiado bajas.
- Elimine el polvo de la parte trasera del electrodoméstico.

Fuente de luz reemplazable (sólo LED) por un profesional

Este producto contiene una fuente de luz con clase de eficiencia energética G.

INSTRUCCIONES DE INSTALACIÓN

➤ Antes de utilizar la cámara de vinos

- Quite el embalaje exterior e interior.
- Antes de conectar la cámara de vinos a la corriente, deje que repose en vertical durante 2 hora aproximadamente. Esto reducirá la probabilidad de que la manipulación durante el transporte ocasione averías en el sistema de refrigeración.
- Limpie las superficies interiores con un paño suave humedecido en agua templada.
- Este electrodoméstico está diseñado para su uso en el hogar y en aplicaciones parecidas, como:
 - zonas de cocina para empleados en negocios, oficinas y otros entornos laborales;
 - granjas y por clientes de hoteles, moteles y otros establecimientos de tipo residencial;
 - otros establecimientos de hospedaje;
 - servicios de catering y otras aplicaciones similares no minoristas.
- Cuando deseche el electrodoméstico, hágalo en un centro autorizado.

➤ Instalación de la cámara de vinos

- Este electrodoméstico está diseñado para instalarse de manera autónoma o integrado (completamente empotrado) (consulte la pegatina de la parte trasera de este electrodoméstico).
- **Este aparato está diseñado para guardar vino o bebidas exclusivamente.**
- Coloque la cámara de vinos en el suelo, en un lugar que pueda soportar su peso cuando está completamente lleno. Para nivelar la cámara de vinos, ajuste la pata delantera de la parte inferior de la cámara.
- Este electrodoméstico utiliza refrigerante inflamable. La tubería de refrigerante no debe dañarse durante el transporte. Sitúe la cámara de vinos lejos de la luz solar directa y de fuentes de calor (estufas, calentadores, radiadores, etc.). La luz del sol puede afectar al revestimiento acrílico, mientras que las fuentes de calor pueden provocar un aumento del consumo de electricidad. Una temperatura ambiente muy fría también puede hacer que el aparato no funcione correctamente.
- Evite instalar el aparato en zonas húmedas.
- Conecte la cámara en una toma de pared correctamente conectada a tierra y exclusiva. Bajo ninguna circunstancia deberá cortarse ni quitarse la tercera clavija del cable de alimentación. Si tiene cualquier duda o pregunta sobre alimentación o tomas de tierra, consulte a un electricista cualificado o a un centro de servicio técnico autorizado.

➤ Atención

- Guarde el vino en botellas herméticamente cerradas.
- No sobrecargue el armario.
- No abra la puerta a menos que sea necesario.
- No cubra los estantes con papel de aluminio o cualquier otro material que pueda obstaculizar la circulación del aire.
- Cuando la cámara vaya a permanecer sin utilizar durante largos periodos de tiempo, se recomienda dejar la puerta entreabierta después de efectuar una limpieza exhaustiva para permitir la circulación de aire por el interior del armario con el fin de evitar que se genere condensación, moho o malos olores.

➤ Límites de temperatura ambiente del lugar

Este electrodoméstico está diseñado para funcionar a la temperatura ambiente especificada para la clase de temperatura que se indica en la placa de características.





- Templada extendida (SN): «Aparato de refrigeración destinado a utilizarse a temperaturas ambiente de entre 10 °C y 32 °C»
- Templada extendida (SN): «Aparato de refrigeración destinado a utilizarse a temperaturas ambiente de entre 10 °C y 32 °C»

- Subtropical (ST): «Aparato de refrigeración destinado a utilizarse a temperaturas ambiente de entre 16 °C y 38 °C»
- Tropical (T): «Aparato de refrigeración destinado a utilizarse a temperaturas ambiente de entre 16 °C y 43 °C»



USO DE LA CÁMARA DE VINOS/BEBIDAS Y CONFIGURACIÓN DEL MANDO DE TEMPERATURA

➤ Instrucciones del sistema de control



- **Botón “”**
Para encender/apagar este aparato (mantenga pulsados estos botones durante aproximadamente 3 segundos)
- **Botón “”**
Para controlar el encendido/apagado de la luz interior
- **Botón “”**
Para ajustar la temperatura de la cámara superior.
- **Botón “”**
Para ajustar la temperatura de la cámara inferior.
- **Ventana de visualización LED de la izquierda**
Para ajustar la temperatura de la cámara superior.
- **Ventana de visualización LED de la derecha**
Para ajustar la temperatura de la cámara inferior.
- **Luz indicadora**
Compresor en pantalla de operación

➤ Ajuste de los mandos de temperatura

- Al pulsar el botón “” o “”, el sistema entrará en el modo de configuración del compartimento superior o inferior automáticamente. El LED parpadeará y mostrará el ajuste de temperatura.
Pulse una vez el botón; la temperatura aumentará o se reducirá 1 °C. Cuando se supere el valor máximo que puede establecerse, pasará automáticamente a la temperatura más alta que puede configurarse. Tras pulsar el botón durante 5 segundos, la figura del LED dejará de parpadear y volverá a mostrarse la temperatura del compartimento superior o inferior.
- Tras desenchufar el aparato, el sistema recuperará el ajuste de temperatura de conformidad, que el ajuste de fábrica. La temperatura de conformidad es la siguiente:
Compartimento superior: 6 °C
Compartimento inferior: 12 °C
- Para conocer la temperatura interior, pulse el botón " Ajuste superior" o " Ajuste inferior ". El LED parpadeará y mostrará el ajuste de temperatura. Cuando deje de pulsar el botón durante 5 segundos, la figura del LED dejará de parpadear y volverá a mostrarse la temperatura real.

Compartimento superior: La temperatura puede ajustarse entre 5 °C y 10 °C.

Compartimento inferior: La temperatura puede ajustarse entre 10 °C y 18 °C.

➤ **Alarma de temperatura**

Si la temperatura interior supera los 23 °C, aparecerá "HI" en el panel de visualización; después de una hora sonará la alarma / zumbador . Esto indica que la temperatura interior es demasiado alta. Cuando la temperatura interior es inferior a 0 °C, se mostrará "LO" en el panel de visualización y al mismo tiempo se activarán la alarma y el indicador de mal funcionamiento .

➤ **Función de recuperación de temperatura**

En caso de corte eléctrico, en enfriador de vinos puede recordar los ajustes de temperatura anteriores. La temperatura del enfriador volverá a la configuración anterior cuando se restablezca la corriente.

➤ **Luz Interior**

Para reducir el consumo de electricidad, la luz LED del armario de vinos se apagará automáticamente después de 10 minutos.

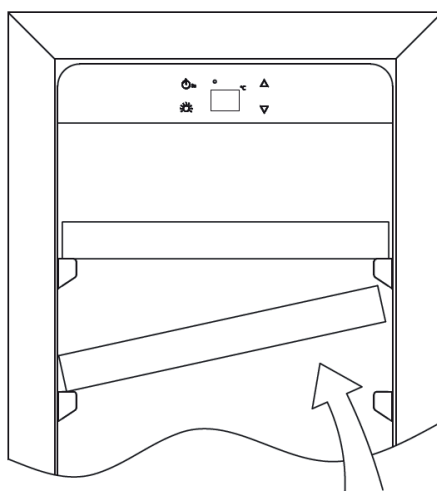
Si prefiere que la luz LED permanezca encendida continuamente, esto es posible. Mantenga pulsada la parte inferior de "LUZ" durante 5 segundos; la pantalla mostrará "LP". Después de 4 segundos, la pantalla volverá a la normalidad y la luz permanecerá encendida hasta que se apague manualmente. Si desea anular esto y ahorrar energía (recomendado), mantenga pulsado el botón "LUZ" durante 5 segundos; la pantalla mostrará "LF". Después de 4 segundos, la pantalla volverá a la normalidad y la luz se apagará automáticamente después de 10 minutos.

➤ **Estantes**

- Para evitar daños en la junta de la puerta, asegúrese de que la puerta esté completamente abierta cuando saque los estantes del compartimento de guías.
- Para facilitar el acceso al contenido almacenado, debe extraer el compartimento de guías aproximadamente 1/3; no obstante, este aparato está diseñado con una muesca en cada lado de los soportes de estantes para evitar que las botellas se caigan.
- Cuando saque cualquier de los estantes del compartimento de guías (para instalarlo o quitarlo), incline el estante según se indica en el diagrama y tire o empuje el estante hasta que encaje en las abrazadera del soporte.

➤ **NOTA:**

- Si el aparato se desenchufa, se corta la corriente o se apaga, hay que esperar de 3 a 5 minutos antes de encenderlo de nuevo. Si intenta ponerlo en marcha antes de que transcurra este intervalo de tiempo, la cámara de vinos/bebidas no se encenderá.
- Cuando utilice la cámara de vinos/bebidas por primera vez o la encienda después de tenerla apagada durante mucho tiempo, puede producirse una diferencia de unos cuantos grados entre la temperatura seleccionada y la indicada en el LED. Esto es normal y se debe a la duración del tiempo de activación. La cámara de vinos/bebidas volverá a la normalidad después de una horas funcionando.



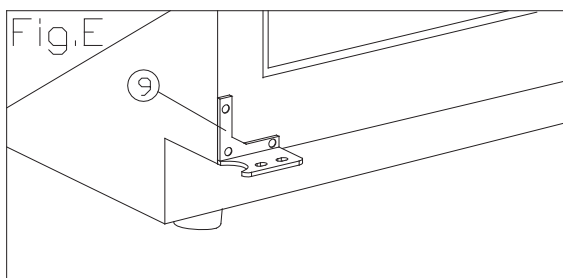
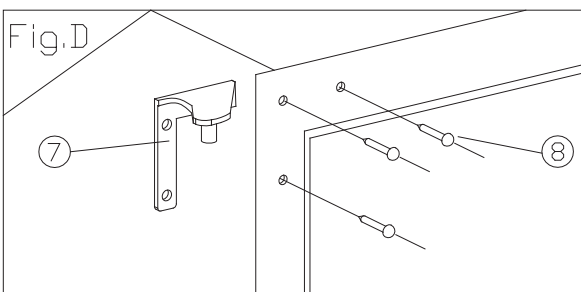
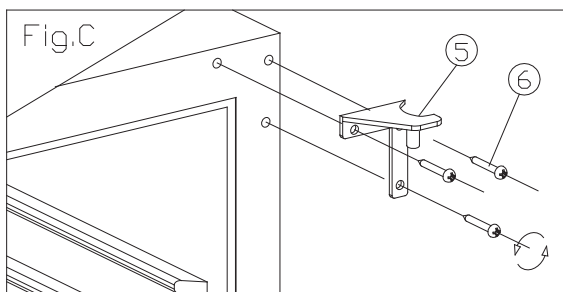
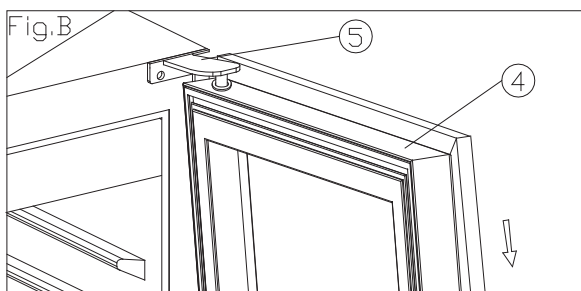
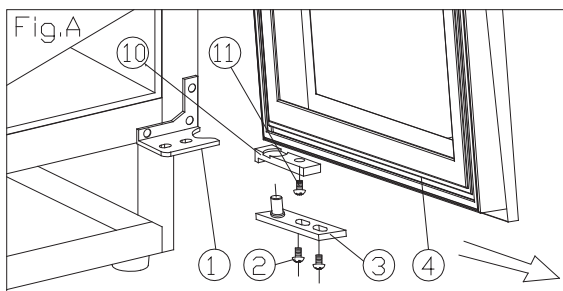
➤ Cómo cambiar la apertura de la puerta

Este electrodoméstico tiene puertas reversibles, pero se suministra con las puertas a la derecha. Con el electrodoméstico se suministra un kit para instalar las bisagras a la izquierda (en una caja) por si desea cambiar el sentido de apertura.

Tipo A (para puerta de vidrio / acero inoxidable)

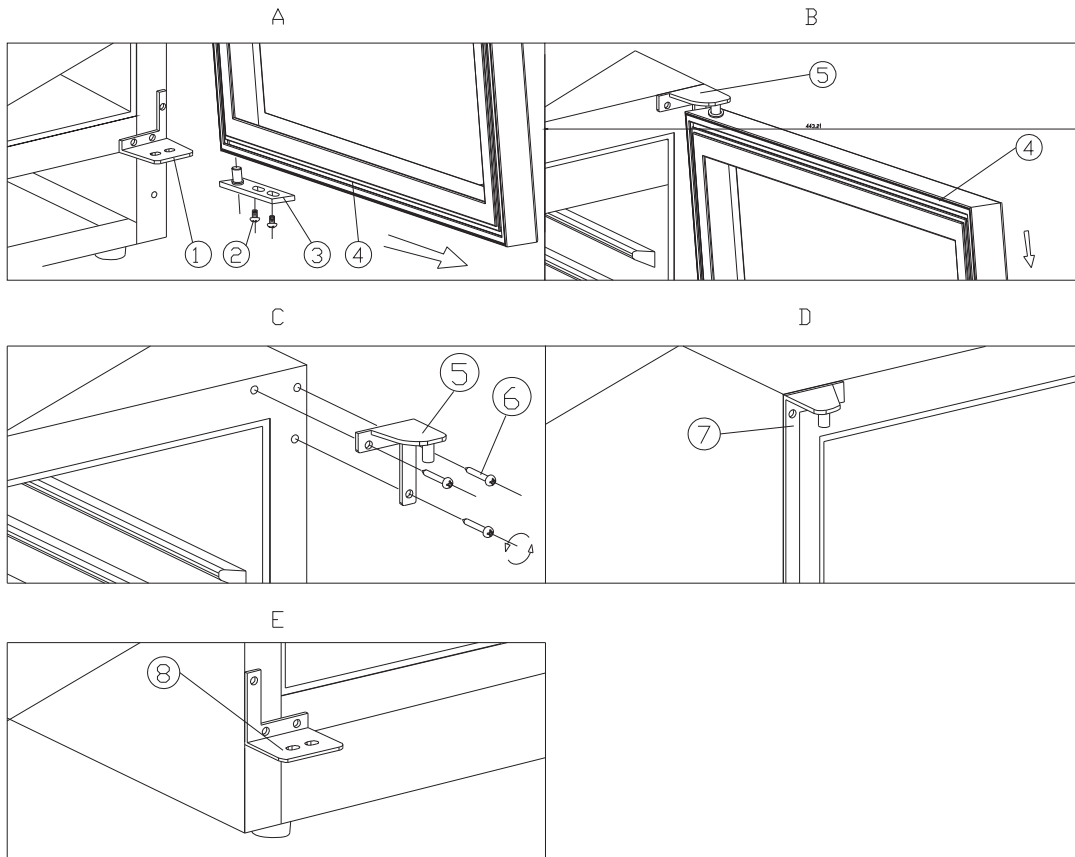
1. Bisagra inferior (derecha)	2. Tornillos	3. Eje de la puerta
4. Puerta	5. Bisagra superior (derecha)	6. Tornillos de bisagras
7. Bisagra superior (izquierda)	8. Tapa de orificio	9. Bisagra inferior (izquierda)
10. Dispositivo de tope de puerta	11. Tornillo	

1. Abra la puerta 90 grados, quite los 2 tornillos (2) del eje de la puerta inferior (3), quite la puerta (4) y retire la placa del eje (3) de la puerta (Fig. A).
2. Suelte el tornillo (11) situado debajo del marco de la puerta y el dispositivo de tope (10) e instáloselos en el lado izquierdo del marco de la puerta. (Fig. A/B)
3. Quite los 3 tornillos de bisagra (6) de la bisagra superior (derecha) (5) y desinstálela. (Fig. C)
4. Quite el clavo decorativo (8) de la parte superior izquierda del armario e instale la bisagra superior de repuesto (izquierda) (7) en la parte superior izquierda del armario con 3 tornillos. (Fig. D)
5. Instale la bisagra inferior de repuesto en el lado izquierda (9) como se indica en el procedimiento anterior. (Fig. E)
6. Instale y alinee la puerta.
7. Coloque las tapas de plásticos para cubrir los agujeros (8).



Tipo B (para puerta delgada de acero inoxidable)

- | | | |
|--|--|-------------------------|
| 1. Bisagra inferior (derecha) | 2. Tornillos | 3. Eje de puerta |
| 4. Puerta | 5. Bisagra superior (derecha) | 6. Tornillos |
| 7. Bisagra superior (izquierda) | 8. Bisagra inferior (izquierda) | |

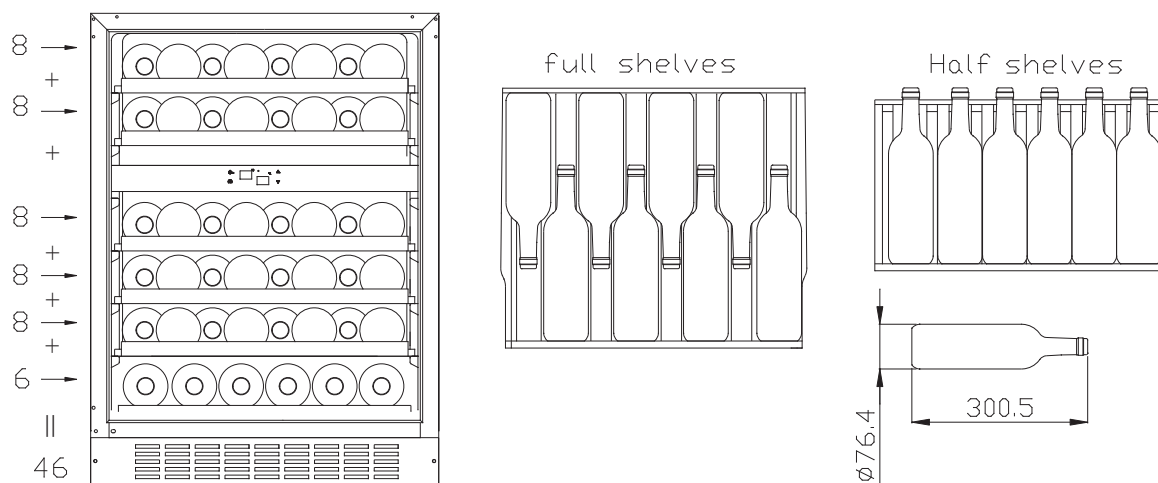


1. Retire 2 tornillos (2) y luego tire de la puerta (4) según la dirección de la flecha y de la bisagra inferior (derecha) (1), también para el montaje. (Fig.A y Fig.B)
2. Retire 3 tornillos (6) de la bisagra superior derecha y luego retire la bisagra superior derecha (5) y la bisagra inferior derecha (1). (Ver fig.C)
3. Utilice los tornillos que retiró de las bisagras del lado derecho para fijar las bisagras superior e inferior del lado izquierdo (7)(8). (Ver Fig.D y Fig.E)
4. Gire la puerta 180 grados y luego ensamble la puerta en orden contrario al de extracción.

➤ **Diagrama de almacenamiento**

Compruebe el diagrama de almacenamiento relacionado con la configuración real del producto.

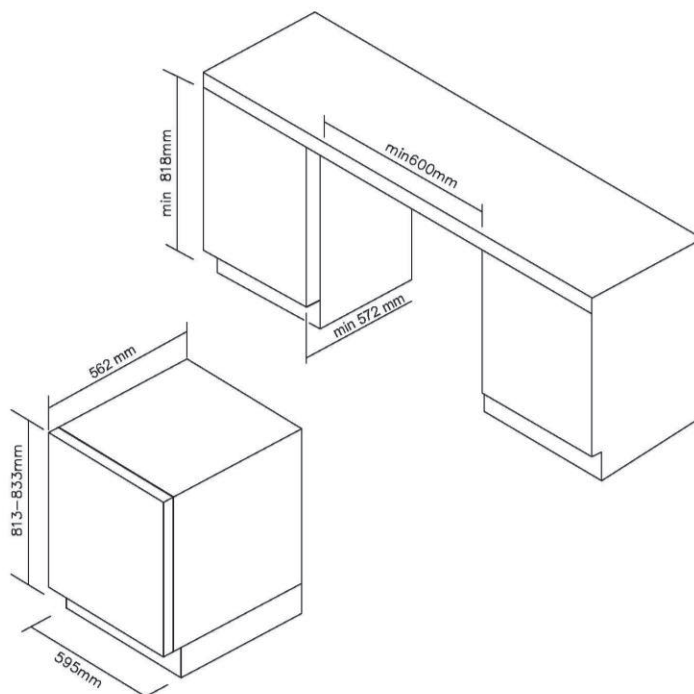
Total: 46 botellas (máx.)



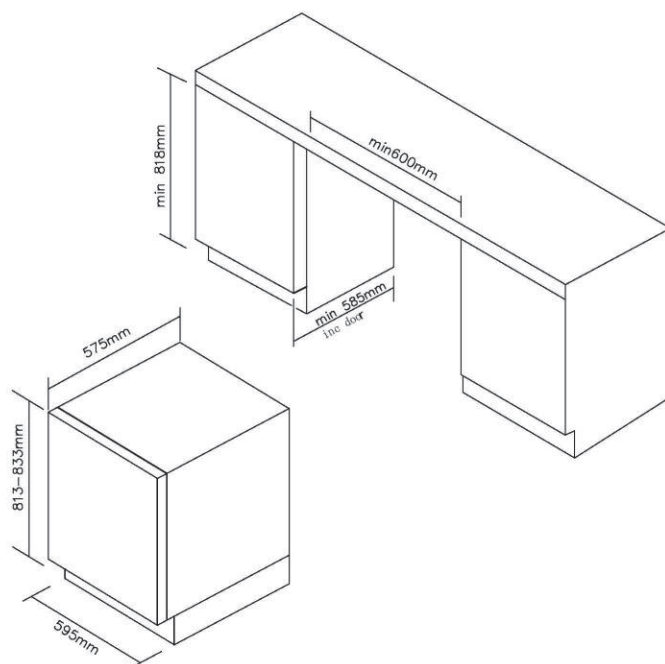
La configuración que ahorra más energía requiere colocar estantes en el producto. Consulta las imágenes anteriores.

➤ **Especificaciones de instalación empotrada**

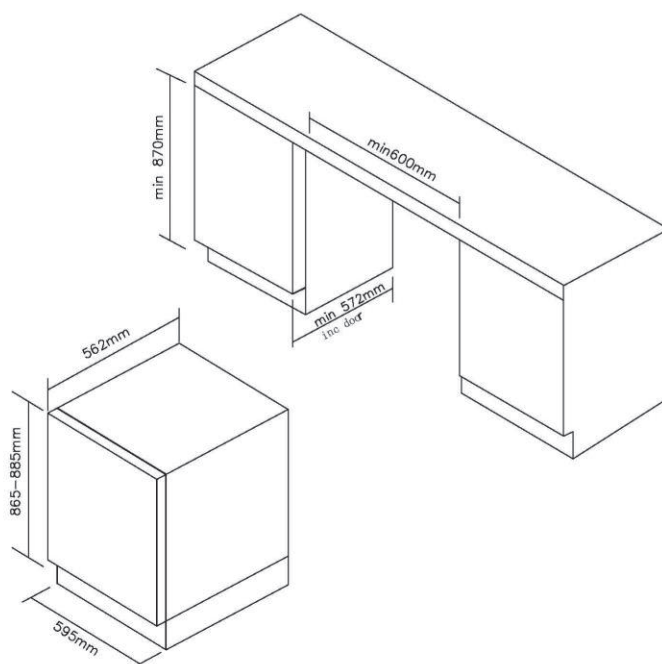
Para altura de 813 mm con puerta de vidrio o acero inoxidable



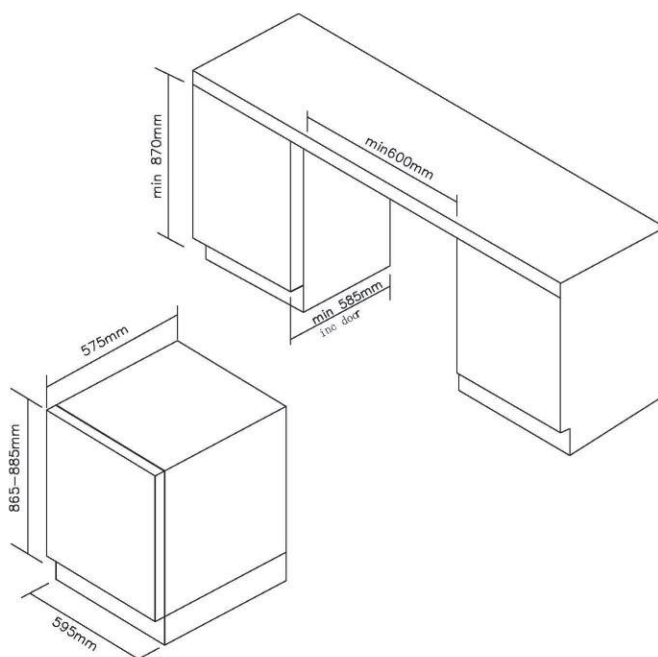
Para altura de 813 mm con puerta delgada de acero inoxidable



Para altura de 865 mm con puerta de vidrio o acero inoxidable



Para altura de 865 mm con puerta delgada de acero inoxidable



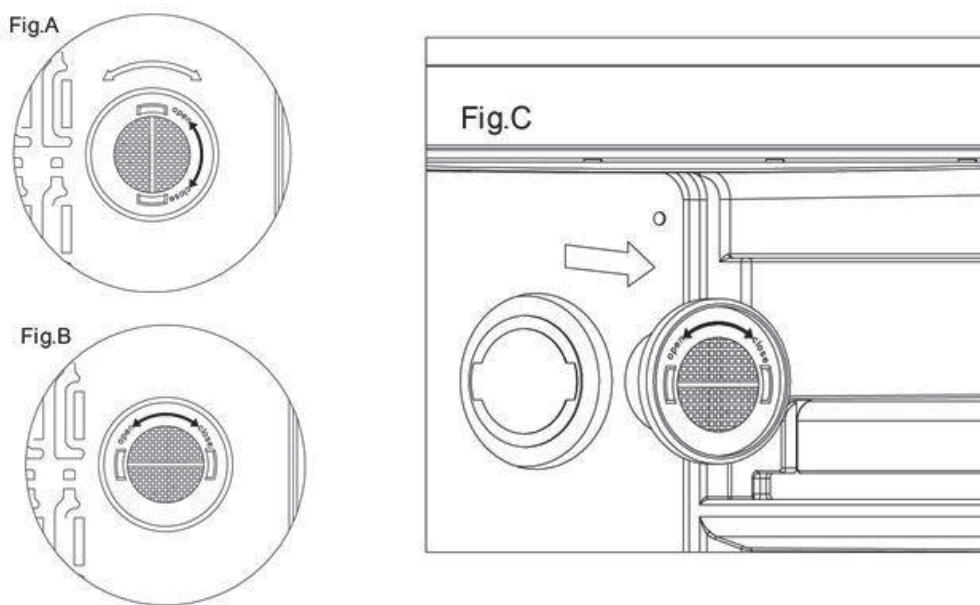
CUIDADO Y MANTENIMIENTO

➤ Limpieza de la cámara de vinos

- Apague y desenchufe la cámara de vinos. A continuación, extraiga todos los elementos, incluidos los estantes y la rejilla.
- Limpie las superficies interiores con una solución de agua caliente y bicarbonato sódico. Para preparar la solución deben utilizarse 2 cucharadas de bicarbonato por cada cuarto de litro de agua.
- Limpie los estantes con una solución de detergente suave.
- Escurra bien la esponja o el trapo cuando limpie la zona de los mandos o cualquier componente eléctrico.
- Limpie el exterior del armario con agua caliente y detergente líquido suave. Aclare bien y seque con un paño suave que esté limpio.

➤ **Cómo sustituir el filtro de carbón vegetal (si está presente en su aparato)**

- Los filtros de carbón vegetal se encuentran en la esquina superior derecha de cada zona del armario de vinos.
- Abra la puerta y retire los 2 estantes superiores (consulte Retirar los estantes).
- Gire el filtro según la Figura A.
- Según la Figura B, el filtro debe alinearse con las muescas como se muestra.
- Retire el filtro (Fig. C).
- Inserte el filtro de reemplazo y gírelo según la Fig. A para bloquearlo en su posición.
- Vuelva a instalar los estantes.



➤ **Corte de electricidad**

- La mayoría de los fallos eléctricos se solucionan en unas cuantas horas y no deberían afectar a la temperatura del aparato si abre muy pocas veces la puerta. Si el suministro de electricidad queda interrumpido durante un periodo de tiempo más largo, deberá tomar las medidas necesarias para proteger los contenidos almacenados.

➤ **Vacaciones**

- **Vacaciones cortas:** deje la cámara de vinos encendida durante las vacaciones de menos de tres semanas de duración.
- **Vacaciones largas:** si el aparato no se va a utilizar durante varios meses, saque todos los elementos y apáguelo. Limpie y seque meticulosamente el interior. Para evitar la aparición de moho y malos olores, deje la puerta ligeramente entreabierta; bloquéela si fuera necesario.

➤ **Desplazamiento de la cámara de vinos**

- Extraiga todos los elementos.
- Asegure con cinta todos los elementos sueltos (estantes) del interior del aparato.
- Recoja la pata ajustable en la base para evitar daños.
- Cierre la puerta con cinta.
- Asegúrese de que el aparato permanece seguro en posición vertical durante el transporte. Proteja también el exterior del aparato con una manta o similar.

➤ **Consejos para ahorrar energía**

- La cámara de vinos debe situarse en el lugar más fresco de la sala, lejos del calor que generan los aparatos y de la luz solar directa.

¿PROBLEMAS CON LA CÁMARA DE VINOS/BEBIDAS?

Puede solucionar fácilmente muchos de los problemas comunes de la cámara de vinos/bebidas y ahorrarse el coste de la llamada al servicio técnico. Antes de llamar al servicio técnico, intente resolver el problema siguiendo las recomendaciones que se indican a continuación.

GUÍA DE SOLUCIÓN DE PROBLEMAS

PROBLEMA	POSIBLE CAUSA
La cámara de vinos/bebidas no funciona.	No está enchufada. El electrodoméstico está apagado. Disyuntor desconectado o fusible quemado.
La cámara de vinos/bebidas no enfría lo suficiente.	Compruebe el ajuste del mando de temperatura. Dependiendo de las condiciones ambientales, es posible que deba seleccionar una configuración diferente. La puerta se abre con demasiada frecuencia. La puerta no está cerrada del todo. La junta de la puerta no crea un cierre estanco.
Se enciende y se apaga con frecuencia.	La temperatura ambiente es más alta de lo normal. Se ha introducido una gran cantidad de cosas en la cámara de vinos/bebidas. La puerta se abre con demasiada frecuencia. La puerta no está cerrada del todo. El mando de temperatura no se ha configurado correctamente. La junta de la puerta no crea un cierre estanco.
La luz no funciona.	No está enchufada. Disyuntor desconectado o fusible quemado. La bombilla se ha quemado. La luz está apagada.
Vibraciones.	Compruebe que la cámara de vinos/bebidas está plana.
Parece que la cámara de vinos/bebidas hace demasiado ruido.	Las vibraciones pueden deberse al flujo de refrigerante, lo cual es normal. Al final de cada ciclo, puede escuchar el sonido que produce el flujo de refrigerante en la cámara de vinos/bebidas. La contracción y la expansión de las paredes internas puede producir estallidos o chasquidos. La cámara de vinos/bebidas no está nivelada.
La puerta no cierra correctamente.	La cámara de vinos/bebidas no está nivelada. La puerta se ha cambiado de lado y se ha instalado correctamente. La junta está sucia. Los estantes no están en su sitio.

Para ponerse en contacto con la asistencia técnica, visite nuestro sitio web: <https://corporate.haier-europe.com/en/>. En la sección "websites", elija la marca de su producto y su país. Serás redirigido al sitio web específico donde podrás encontrar el número de teléfono y el formulario para contactar con la asistencia técnica.

➤ **DISPONIBILIDAD DE REPUESTOS**

- Termostatos, sensores de temperatura, placas de circuitos impresos y fuentes luminosas, durante un período de, como mínimo, siete años tras la introducción en el mercado de la última unidad del modelo.
- Mangos de puerta, bisagras, bandejas y cestos, durante un período de, como mínimo, siete años, y juntas de puerta durante un período de, como mínimo, diez años tras la introducción en el mercado de la última unidad del modelo;

AJUSTES de temperatura recomendados

Para almacenar TODO TIPO DE VINOS **12 °C to 14 °C**

Para almacenar TODO TIPO DE VINOS

Champán NV, espumoso **6 °C**

Champán Vintage **10 °C**

Blanco seco con semillón, Sauvignon Blanc **8 °C**

Blanco Gewürztraminer seco, Riesling **10 °C**

Blanco Chardonnay seco **10 °C**

Chardonnay Vintage **14 °C**

Vino dulce Sauternes Monbazillac, uvas heladas de cosecha tardía **10 °C**

Vinos dulces origen Sauternes **14 °C**

Beaujolais **13 °C**

Pinot Noir **16 °C**

Tinto Pinot Noir Vintage **18 °C**

Tinto Cabernet, Merlot, francés, australiano, neozelandés, chileno, argentino, italiano, español, californiano **18 °C**

Tinto Garnacha, Syrah **16 °C**

Para más información sobre el producto, consulte <https://eprel.ec.europa.eu/> o escanee el QR en la etiqueta energética suministrada con el aparato.

Français

Nous vous remercions d'avoir acheté ce produit.

Avant d'utiliser votre réfrigérateur, veuillez lire attentivement ces instructions d'utilisation afin de maximiser ses performances. Conservez cette documentation pour pouvoir vous y référer ultérieurement ou pour les éventuels futurs propriétaires. Ce produit est destiné uniquement à un usage domestique ou autres usages similaires tels que :

- l'espace cuisine réservé au personnel dans un magasin, des bureaux ou autres lieux de travail,
- dans les fermes-auberges, pour la clientèle des hôtels, motels et autres lieux de type résidentiel,
- dans les chambres d'hôtes,
- chez la restauration et autres services similaires, ce produit ne convient pas à la vente au détail.

Cet appareil doit être utilisé uniquement pour conserver de la nourriture ; tout autre usage est considéré comme dangereux et le fabricant ne sera pas tenu responsable en cas de mauvaise utilisation. Il est donc recommandé de prendre connaissance des conditions de garantie.

INFORMATIONS DE SÉCURITÉ

Veuillez lire attentivement les instructions d'utilisation et d'installation ! Elles contiennent des informations importantes sur l'installation, l'utilisation et l'entretien de l'appareil. Le fabricant n'est pas responsable si vous ne respectez pas les instructions et avertissements.

Conservez tous les documents pour une utilisation ultérieure ou pour le propriétaire suivant.

- **Ne branchez pas l'appareil à l'alimentation électrique avant d'avoir retiré tous les protecteurs d'emballage et de transport. Tenez les enfants à l'écart de l'emballage et de ses parties. Risque de suffocation provenant de cartons pliants et de film plastique !**
- **Laissez reposer pendant au moins 4 heures avant la mise en marche pour permettre à l'huile du compresseur de se déposer si le compresseur même est transportée horizontalement.**
- **À la livraison, vérifiez que le produit n'est pas endommagé et que toutes les pièces et accessoires sont en parfait état.**
- **N'endommagez pas le circuit réfrigérant.**
- **N'obstruez pas les orifices d'aération dans l'appareil ou dans la structure dans laquelle il est intégré.**
- **Ne jamais utiliser d'eau pour laver la position du compresseur, l'essuyer soigneusement avec un chiffon sec après le nettoyage pour éviter la rouille.**
- **Manipulez toujours l'appareil avec au moins deux personnes parce qu'il est lourd.**
- **Installez et mettez à niveau l'appareil dans une zone adaptée à sa taille et à son utilisation.**
- **Assurez-vous que les informations électriques figurant sur la plaque signalétique sont conformes à l'alimentation électrique. Si ce n'est pas le cas, contactez un électricien.**

- L'appareil est alimenté par une alimentation de 220-240 VCA/50 Hz. Les variations anormales de tension peuvent provoquer l'arrêt de l'appareil ou endommager le régulateur de température ou le compresseur, ou il peut y avoir un bruit anormal lors du fonctionnement. Dans ce cas, un régulateur automatique doit être monté.
- Uniquement pour le Royaume-Uni : Le cordon d'alimentation de l'appareil est équipé d'une fiche 3 pôles (de mise à la terre) qui s'adapte à une prise standard 3 pôles (de mise à la terre). Ne coupez jamais ou ne démontez jamais la troisième broche (mise à la terre). Une fois l'appareil installé, la fiche doit être accessible.
- Veillez à ce que le câble de réseau ne soit pas coincé sous l'appareil pendant et après le transport ou le déplacement de l'appareil, afin d'éviter que le câble de réseau ne soit coupé ou endommagé. Si le câble d'alimentation est endommagé, il doit être remplacé par le fabricant, son agent d'entretien ou des personnes possédant le même type de qualification, afin d'éviter tout risque.
- N'installez pas l'appareil dans un endroit humide, graisseux ou poussiéreux et ne l'exposez pas à la lumière directe du soleil ni à l'eau.
- N'installez pas l'appareil à proximité de sources de chaleur ou de matériaux inflammables
- POUR les appareils équipés d'un compartiment congélateur : en cas de panne de courant, n'ouvrez pas le couvercle. Les aliments congelés ne devraient pas être affectés si la panne dure moins que les heures indiquées sur l'étiquette signalétique (temps de montée en température). Si la panne dure plus longtemps, alors il convient de vérifier les aliments et de les manger immédiatement ou bien de les cuire et de les congeler à nouveau.
- Si vous trouvez que le couvercle de l'appareil est difficile à ouvrir juste après l'avoir fermé, ne soyez pas inquiet. Cela vient de la différence de pression qui doit s'égaliser et permettre au couvercle de s'ouvrir normalement après quelques minutes.
- Ne conservez pas de médicaments, de bactéries ou d'agents chimiques dans l'appareil. Cet appareil est un appareil électroménager, il n'est pas recommandé de stocker des produits qui nécessitent des températures strictes.
- Ne tirez pas et ne pliez pas excessivement le cordon d'alimentation et ne touchez pas la prise avec les mains mouillées.
- Ne conservez pas des produits contenant des gaz propulseurs inflammables (par ex. des bombes de pulvérisation) ou des substances explosives dans l'appareil. Risque d'explosion !

- **Ne placez pas d'objets instables (objets lourds, récipients remplis d'eau) sur le dessus du réfrigérateur, pour éviter les blessures corporelles causées par une chute ou une électrocution causée par le contact avec de l'eau.**
- **N'utilisez pas d'appareils électriques dans les compartiments de conservation des aliments de l'appareil, excepté s'ils sont du type recommandé par le fabricant.**
- **Ne pas toucher les éléments de refroidissement internes, en particulier avec les mains mouillées, pour éviter les fissures ou les blessures.**
- **Les enfants, les personnes qui ont des capacités physiques, mentales ou sensorielles limitées, ainsi que les personnes qui ont des connaissances insuffisantes en matière de sécurité d'utilisation de l'appareil sont à risque. Vérifiez que les enfants et les personnes vulnérables ont compris les dangers. Une personne responsable de la sécurité doit surveiller les enfants et les personnes vulnérables qui utilisent l'appareil ou leur expliquer son fonctionnement. Seuls les enfants âgés de 8 ans et plus peuvent utiliser l'appareil.**
- **Les enfants ne doivent pas jouer avec l' appareil.**
- **Les enfants âgés de 3 à 8 ans sont autorisés à charger et à décharger l' appareil**
- **POUR les appareils avec compartiment congélateur : ne conservez pas de liquides en bouteille ou en canette (surtout les boissons gazeuses) dans le compartiment congélateur. Les bouteilles et les canettes peuvent éclater !**
- **POUR les appareils équipés d'un compartiment congélateur : ne placez jamais d'aliments congelés dans votre bouche juste après les avoir sortis du compartiment congélateur. Risque de brûlures à basse température !**
- **Gardez les pièces en plastique et le joint de porte exempt d'huile et de graisse. Dans le cas contraire, les pièces en plastique et le joint de porte deviendront poreux.**
- **Avant toute intervention, débranchez le cordon d'alimentation de la prise murale.**
- **N'utilisez pas d'outils mécaniques ou autres équipements pour accélérer le processus de dégivrage, autres que ceux recommandés par le fabricant.**
- **N'utilisez pas d'objets pointus ou tranchants tels que des couteaux ou des fourchettes pour enlever le givre. N'utilisez jamais de sèche-cheveux, de radiateurs électriques ou d'autres appareils électriques de ce type pour le dégivrage.**

- Il est recommandé de maintenir la prise propre ; les résidus excessifs de poussière sur la prise peuvent provoquer un incendie.
- N'essayez pas de réparer, démonter ou modifier l'appareil vous-même. En cas de réparation, veuillez contacter notre service clientèle.
- Supervisez les enfants pendant le nettoyage ou l'entretien de l'appareil.
- Ne nettoyez pas les clayettes froides en verre à l'eau chaude. Un changement soudain de température peut casser le verre.
- **AVERTISSEMENT** : Les tubes du circuit de réfrigération transportent une petite quantité d'un frigorigène respectueux de l'environnement mais inflammable (R600a) et d'un gaz isolant (cyclopentane). Il n'endommage pas la couche d'ozone et n'augmente pas l'effet de serre. Si le réfrigérant s'échappe, il risque de blesser vos yeux ou de s'enflammer.
- En cas de dommages du circuit de réfrigérant :
 - Éteignez l'appareil et retirez la prise secteur ;
 - Tenez les flammes nues et/ou les sources d'inflammation loin de l'appareil ;
 - Ventilez complètement la pièce pendant plusieurs minutes ;
 - Informez le service clientèle.
- **AVERTISSEMENT** : N'endommagez pas la fiche et/ou le cordon d'alimentation ; cela pourrait provoquer des chocs électriques ou des incendies.
- **AVERTISSEMENT** : N'utilisez pas des systèmes multiprises portatifs ou des alimentations portatives. Nous ne recommandons pas l'utilisation de rallonges et d'adaptateurs multiples.
- N'essayez pas de vous asseoir ou de vous tenir debout sur le dessus de l'appareil. Vous pourriez vous blesser ou endommager l'appareil. Cet appareil n'est pas conçu pour être empilé avec d'autres appareils.
- L'appareil est conçu et construit pour un usage domestique uniquement.
- Seules les pièces d'origine fournies par le fabricant peuvent être utilisées. Le fabricant garantit que seules ces pièces satisfont aux exigences de sécurité.
- L'ouverture prolongée de la porte peut entraîner une hausse significative de la température dans les compartiments de l'appareil.
- Nettoyez régulièrement les surfaces entrant en contact avec les aliments et les systèmes d'évacuation accessibles.

- Nettoyez les réservoirs d' eau s' ils n' ont pas été utilisés pendant 48 h ; videz le circuit d' eau raccordé à une alimentation d' eau si l' eau n' a pas été tirée pendant 5 jours.
- Placez la viande et le poisson crus dans des récipients adaptés avant de les mettre au réfrigérateur, afin qu' ils n' entrent pas en contact avec d' autres aliments ou ne gouttent pas dessus.
- Les compartiments de congélation « deux étoiles » (si présents dans l' appareil) sont adaptés à la conservation des aliments pré-congelés, à la conservation et à la fabrication des crèmes glacées et à la production des glaçons.
- Les compartiments « une, deux et trois étoiles » (si présents dans l' appareil) ne sont pas adaptés à la congélation des aliments frais.
- Si l' appareil doit rester vide pendant des périodes prolongées, mettez-le hors tension, dégivrez-le, nettoyez-le, séchez-le et laissez la porte ouverte pour éviter la formation de moisissures à l' intérieur
- Autres appareils de stockage du vin: Cet appareil est destiné uniquement au stockage du vin
- Pour un appareil à pose libre: Cet appareil de réfrigération n' est pas destiné à être utilisé comme un appareil intégrable
- Pour les appareils sans compartiment « quatre étoiles»: Cet appareil de réfrigération ne convient pas pour la congélation de denrées alimentaire

Mise au rebut des anciens appareils



Cet appareil comporte les symboles conformes à la directive européenne 2012/19/EU sur les déchets des équipements électriques et électroniques (DEEE).

DEEE couvre à la fois les substances polluantes (pouvant avoir des retombées négatives sur l'environnement) et les composants de base (pouvant être ré-utilisés). Il est important de soumettre les déchets DEEE à des traitements spécifiques, afin d'enlever et éliminer tous les polluants de manière adéquate et de récupérer et recycler tous les matériaux.

Toute personne peut jouer un rôle important en veillant à ce que les déchets DEEE ne deviennent pas un problème environnemental ; pour cela, il est essentiel de suivre quelques règles de base :

- Les DEEE ne doivent pas être traités comme des déchets ménagers ;
- Les DEEE doivent être remis aux points de collecte appropriés gérés par la municipalité ou par des sociétés reconnues. Dans de nombreux pays, pour des DEEE encombrants, la collecte à domicile peut être organisée.

Dans de nombreux pays, lorsque vous achetez un nouvel appareil, l'ancien peut être retourné au détaillant qui est en devoir de le récupérer sans frais de manière individualisée, tant que l'équipement est de type équivalent et a les mêmes fonctions que l'équipement fourni.

Conformité

En apposant la marque **CE** sur ce produit, nous confirmons la conformité à toutes les obligations européennes concernant la protection de l'environnement et de la santé et de la sécurité, applicables selon la loi à ce produit.

Garantie

La garantie minimale est : 2 ans pour les pays de l'UE, 3 ans pour la Turquie, 1 an pour le Royaume-Uni, 1 an pour la Russie, 3 ans pour la Suède, 2 ans pour la Serbie, 5 ans pour la Norvège, 1 an pour le Maroc, 6 mois pour l'Algérie, pas de garantie légale requise pour la Tunisie.

Économies d'énergie

Pour faire davantage d'économies d'énergie nous suggérons :

- Installez l'appareil dans un endroit bien aéré, loin de sources de chaleur et ne l'exposez pas à la lumière directe du soleil.
- Évitez de mettre de la nourriture chaude dans le réfrigérateur pour éviter d'accroître la température intérieure et, par conséquent, de faire fonctionner le compresseur en permanence.
- Ne tassez pas trop les denrées conservées de manière à garantir une circulation de l'air correcte.
- Si de la glace s'est formée, dégivrez l'appareil pour faciliter le transfert du froid.
- En cas de coupure de l'alimentation électrique, il est conseillé de garder la porte du réfrigérateur fermée.
- Ouvrez ou laissez la porte du réfrigérateur ouverte le moins possible.
- Évitez de régler le thermostat à des températures trop basses.
- Retirez la poussière accumulée à l'arrière de l'appareil

Source lumineuse remplaçable (LED uniquement) par un professionnel

Ce produit contient une source lumineuse de classe d'efficacité énergétique G.

INSTRUCTIONS POUR L'INSTALLATION

➤ Avant d'utiliser votre cave à vin

- Retirez l'emballage extérieur et intérieur.
- Avant de brancher votre cave à vin à la prise d'alimentation, laissez-le en position verticale pendant environ 2 heures. Ceci réduira le risque d'un dysfonctionnement du système de refroidissement suite à la manipulation pendant le transport.
- Nettoyez les surfaces intérieures à l'eau tiède avec une éponge douce.
- Lors de l'élimination de votre appareil, veuillez choisir un site d'élimination autorisé.

➤ Installation de votre cave à vin

- Cet appareil est conçu soit pour une installation autonome soit pour une installation intégrée (entièrement encastré) (reportez-vous à l'autocollant à l'arrière de cet appareil).
- **Cet appareil est destiné à être utilisé exclusivement pour le stockage de vin ou de boissons.**
- Placez votre cave à vin sur un sol suffisamment solide pour la supporter lorsqu'elle est entièrement remplie. Pour niveler votre cave à vin, ajustez la jambe de nivellement avant au bas de l'appareil.
- Cet appareil utilise un réfrigérant inflammable. Ne jamais endommager la tuyauterie de refroidissement pendant le transport. Installez votre cave à vin à l'écart de la lumière directe du soleil et des sources de chaleur (poêle, chauffage, radiateur, etc.). Le rayonnement solaire direct peut endommager le revêtement acrylique et les sources de chaleur sont susceptibles d'augmenter la consommation d'énergie électrique. Un environnement très froid peut également empêcher l'appareil de fonctionner correctement.
- Évitez d'installer l'appareil dans des zones humides.
- Branchez votre cave à vin dans une prise murale dédiée, correctement installée et mise à la terre. Vous ne devez en aucun cas couper ou éliminer la troisième broche (de terre) de la fiche du câble d'alimentation. Adressez-vous à un électricien qualifié ou à un centre d'assistance agréé pour toute question sur l'alimentation et/ou la prise de terre.

➤ Attention

- Conservez le vin en bouteilles scellées ;
- Ne surchargez pas l'armoire ;
- N'ouvrez pas la porte, sauf si nécessaire ;
- Ne couvrez pas les étagères avec une feuille d'aluminium ou tout autre matériau pouvant empêcher la circulation de l'air ;
- Si votre cave à vin est stockée sans être utilisée pendant de longues périodes, il est suggéré, après un nettoyage minutieux, de laisser la porte entrouverte pour permettre à l'air de circuler à l'intérieur de l'armoire et éviter la formation éventuelle de condensation, de moisissures ou d'odeurs.

➤ Limites de température ambiante





Cet appareil est conçu pour fonctionner aux températures ambiantes spécifiées par la classe de température indiquée sur sa plaque signalétique.

- Tempérée élargie (SN): «Cet appareil de réfrigération est destiné à être utilisé à des températures ambiantes comprises entre 10 °C et 32 °C»
- Tempérée (N): «Cet appareil de réfrigération est destiné à être utilisé à des températures ambiantes comprises entre 16 °C et 32 °C»
- Subtropicale (ST): «Cet appareil de réfrigération est destiné à être utilisé à des températures ambiantes comprises entre 16 °C et 38 °C»
- Tropicale (T): «Cet appareil de réfrigération est destiné à être utilisé à des températures ambiantes comprises entre 16 °C et 43 °C»



FONCTIONNEMENT DE VOTRE CAVE À VIN/REFROIDISSEUR DE BOISSONS ET RÉGLAGE DU CONTRÔLE DE LA TEMPÉRATURE

➤ Mode d'emploi du système de contrôle



- **Bouton **
Pour allumer/éteindre cet appareil (appuyez et maintenez ces boutons enfoncés pendant environ 3 secondes).
- **Bouton **
Pour allumer/éteindre l'éclairage interne.
- **Bouton **
Pour régler la température de la chambre supérieure.
- **Bouton **
Pour régler la température de la chambre inférieure.
- **Fenêtre d'affichage LED à gauche**
Pour régler la température de la chambre supérieure.
- **Fenêtre d'affichage LED à droite**
Pour régler la température de la chambre inférieure.
- **voyant lumineux**
Affichage du compresseur en fonctionnement.

➤ Réglage des contrôles de température

- Lorsque vous appuyez sur la touche "" ou "", le système passe automatiquement en mode de réglage de la température dans le compartiment supérieur ou inférieur. Le voyant clignote et affiche la température de réglage.
Appuyez une fois sur le bouton, la température diminuera ou augmentera de 1°C. Lors du dépassement de la valeur minimale qui peut être établie, le système passe automatiquement à la valeur de température réglable la plus élevée. Après avoir appuyé sur le bouton pendant 5 secondes, le voyant LED cessera de clignoter, puis reviendra en arrière pour afficher la température du compartiment supérieur ou inférieur.
- Une fois l'appareil débranché, le système revient à la température par défaut, qui est réglée en usine. La température par défaut est la suivante :
Compartiment supérieur : 6°C
Compartiment inférieur : 12°C
- Si vous souhaitez visualiser la température intérieure réglée, veuillez appuyer sur la touche "Augmenter" ou "Diminuer-", la LED clignotera et affichera la température réglée. Après avoir arrêté d'appuyer sur le bouton pendant 5 secondes, le voyant LED arrêtera de clignoter, puis reviendra afficher la température courante.

Compartiment supérieur : Le réglage de la température peut être compris entre 5°C et 10°C

Compartiment inférieur : Le réglage de la température peut être compris entre 10°C et 18°C.

➤ **Alarme de température**

Si la température à l'intérieur est supérieure à 23 °C, il sera affiché "HI" sur le panneau d'affichage, et au bout d'une heure après l'alarme / l'avertisseur sonore retentira. Cela indique que la température à l'intérieur est trop élevée. Si la température à l'intérieur est inférieure à 0 °C, il sera affiché "LO" sur le panneau d'affichage et dans le même temps l'alarme de dysfonctionnement sera activée.

➤ **Fonction de récupération de température**

En cas de coupure de l'alimentation, la cave à vin peut se souvenir des réglages de température précédents, et lorsque l'alimentation est rétablie, la température de la cave à vin revient au même réglage de la température que lorsque l'appareil est mis hors tension.

➤ **Éclairage interne**

Afin de réduire la consommation d'énergie, cette armoire à vin éteint automatiquement les lampes à LED au bout de 10 minutes.

Si vous souhaitez que les lampes à LED restent allumées en continu, cela est possible. Appuyez et maintenez le bouton "ÉCLAIRAGE" enfoncé pendant 5 secondes, l'écran affichera "LP". Après 4 secondes, l'écran reviendra à la normale et le voyant restera allumé jusqu'à ce qu'il soit éteint manuellement.

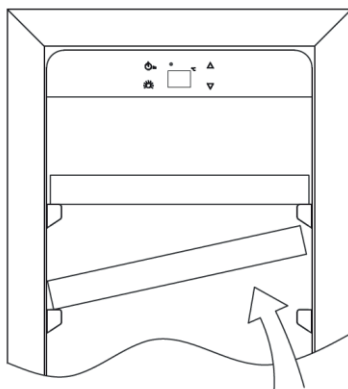
Si vous souhaitez revenir en arrière et économiser de l'énergie (recommandé), appuyez et maintenez le bouton "ÉCLAIRAGE" enfoncé pendant 5 secondes, l'écran affichera "LF", après 4 secondes, l'écran reviendra à la normale et la lumière s'éteindra automatiquement au bout de 10 minutes.

➤ **Clayettes**

- Pour éviter d'endommager le joint de porte, assurez-vous que la porte est complètement ouverte lorsque vous tirez les clayettes hors des rails du compartiment.
- Pour un accès facile au contenu de stockage, vous devez retirer les clayettes hors des rails du compartiment d'environ 1/3. Cet appareil a été conçu avec une encoche de chaque côté des rails des clayettes pour empêcher les bouteilles de tomber.
- Lorsque vous retirez l'une des clayettes des rails du compartiment : pour monter ou retirer la clayette, inclinez-la conformément au schéma et tirez simplement ou poussez la clayette jusqu'à ce qu'elle repose solidement sur les supports

➤ **REMARQUE :**

- Si l'appareil est débranché, hors tension ou éteint, vous devez attendre 3 à 5 minutes avant de redémarrer l'appareil. Si vous tentez de redémarrer avant ce délai, votre cave à vin/refroidisseur de boissons ne démarrera pas.
- Lorsque vous utilisez votre cave à vin/refroidisseur de boisson pour la première fois ou redémarrez votre cave à vin/refroidisseur de boisson après qu'il soit resté éteint pendant une longue période, il pourrait y avoir un écart de quelques degrés entre la température que vous sélectionnez et celle indiquée sur l'inscription du voyant LED. C'est normal et cela est dû à la durée du temps d'activation. Une fois que la cave à vin/refroidisseur de boissons aura fonctionné pendant quelques heures, tout reviendra à la normale.



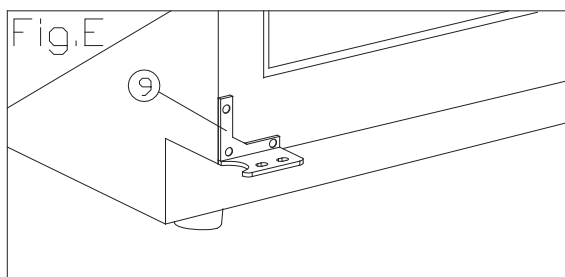
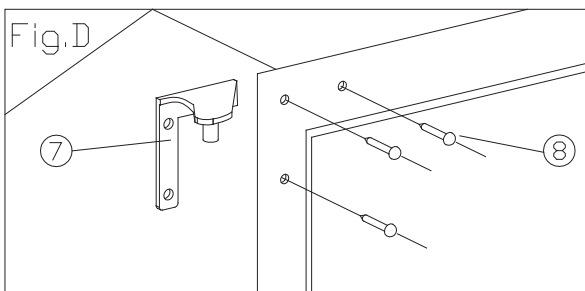
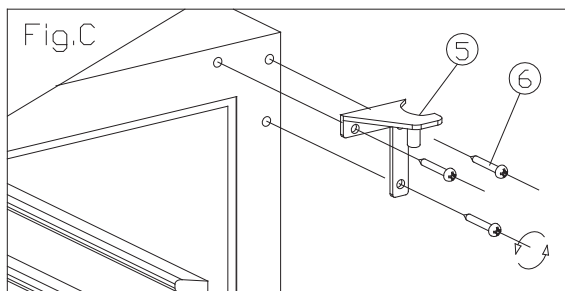
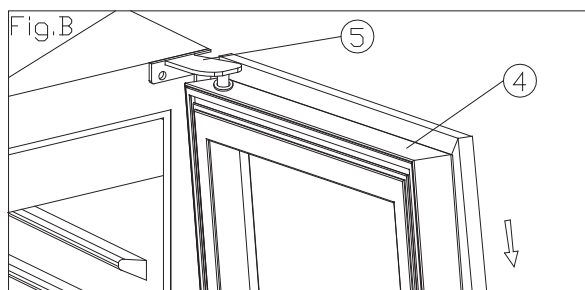
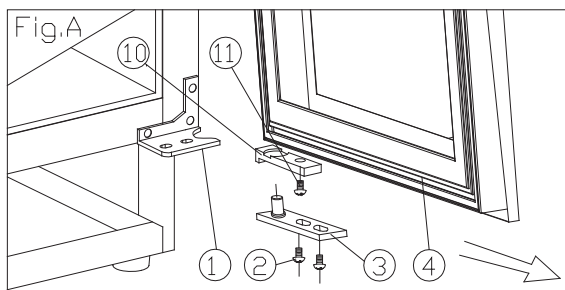
➤ Comment changer le sens de l'ouverture de la porte

Cet appareil a des portes réversibles mais il est livré avec une porte ayant une charnière à droite. Un kit de charnière côté gauche est livré avec l'unité (dans l'emballage), si vous souhaitez inverser la charnière sur votre appareil.

Type A (pour porte plein verre / acier inoxydable)

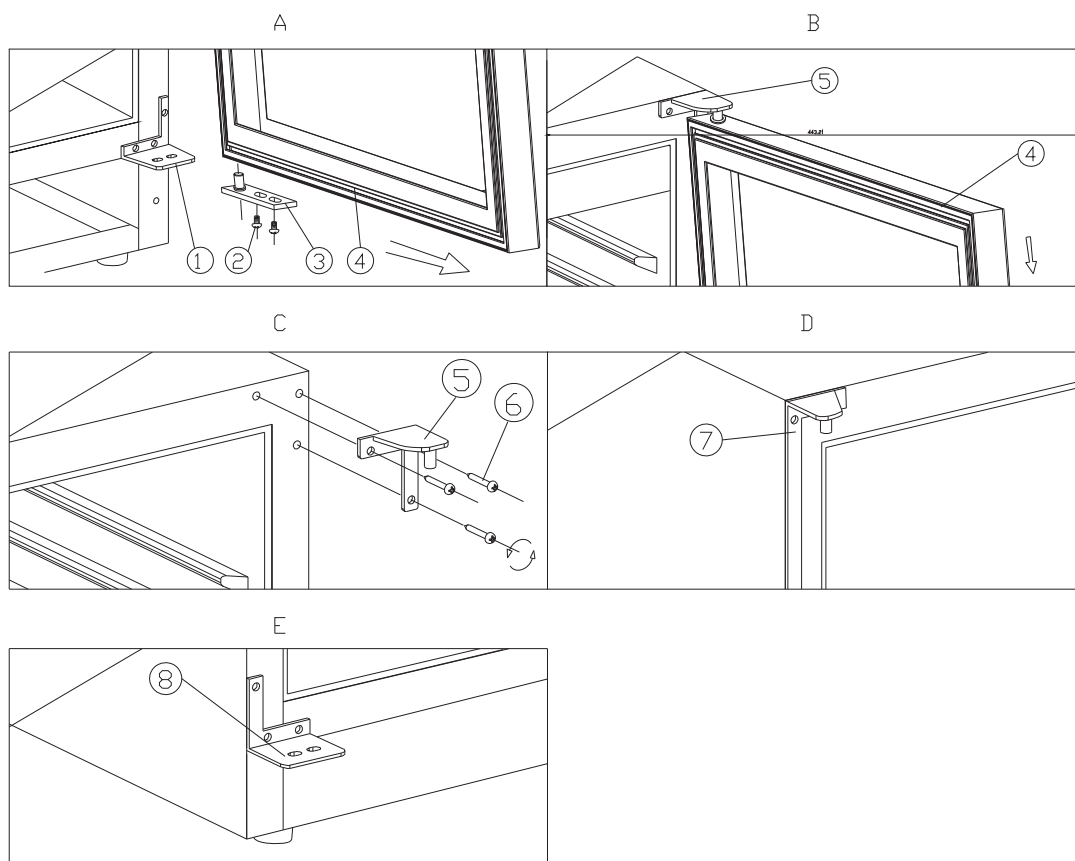
- | | | |
|---|---------------|--|
| 1. Charnière inférieure (côté droit) | 2. Vis | 3. Axe de porte |
| 4. Porte | | 5. Charnière supérieure (côté droit) |
| 6. Vis à charnière | | 7. Charnière supérieure (côté gauche) |
| 8. Cache du trou | | 9. Charnière inférieure (côté gauche) |
| 10. Dispositif de limitation de la porte | | 11. Vis |

1. Ouvrez la porte à un angle de 90 degrés, retirez les 2 vis (2) de l'axe de la porte inférieure (3), retirez la porte (4), retirez la plaque de l'axe (3) de la porte, (Fig. A).
2. Dévissez la vis (11) située sous le cadre de la porte et le dispositif de limitation (10), et remplacez-la du côté de l'extrémité gauche du cadre de porte. (Fig. A/B).
3. Retirez les 3 vis (6) de la charnière supérieure (côté droit) (5) et retirez celle-ci. (Fig. C).
4. Retirez les clous décoratifs (8) en haut à gauche de l'armoire et installez la charnière supérieure de rechange (côté gauche) (7) en haut à gauche de l'armoire avec 3 vis. (Fig. D)
5. En suivant la procédure ci-dessus, installez la charnière inférieure de rechange côté gauche (9). (Fig. E)
6. Installez et alignez la porte.
7. Insérez les caches en plastique pour couvrir les trous (8).



Type B (pour porte mince en acier inoxydable)

- | | | |
|--------------------------------------|--------------------------------------|----------------|
| 1 Charnière inférieure (côté droit) | 2 Vis | 3 Axe de porte |
| 4 Porte | 5 Charnière supérieure (côté droit) | 6 Vis |
| 7 Charnière supérieure (côté gauche) | 8 Charnière inférieure (côté gauche) | |

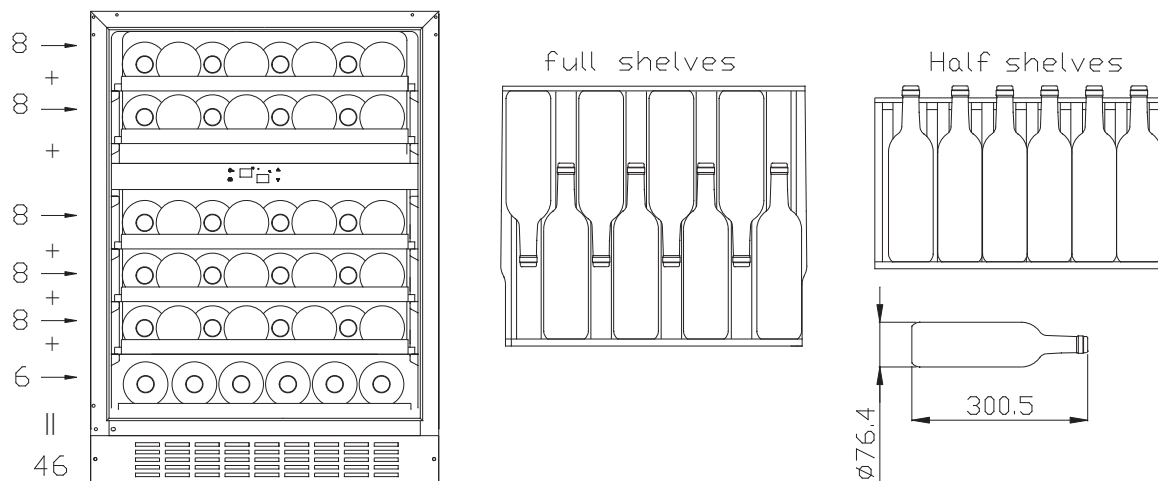


1. Retirez 2 vis (2), puis tirez sur la porte (4) selon la direction de la flèche et de la charnière inférieure (côté droit) (1), comme pour l'assemblage. (Fig.A et Fig.B)
2. Retirez les 3 vis (6) de la charnière supérieure côté droit, puis retirez les charnières supérieure côté droit (5) et inférieure côté droit (1). (Voir Fig.C)
3. Utilisez les vis que vous avez retirées des charnières latérales côté droit pour fixer les charnières supérieure et inférieure côté gauche (7) (8). (Voir Fig.D et Fig.E)
4. Tournez la porte à 180 degrés, puis remontez la porte selon les mêmes opérations dans le sens inverse.

➤ **Schéma de stockage**

En fonction de la configuration courante de votre appareil, veuillez vérifier le schéma de stockage correspondant.

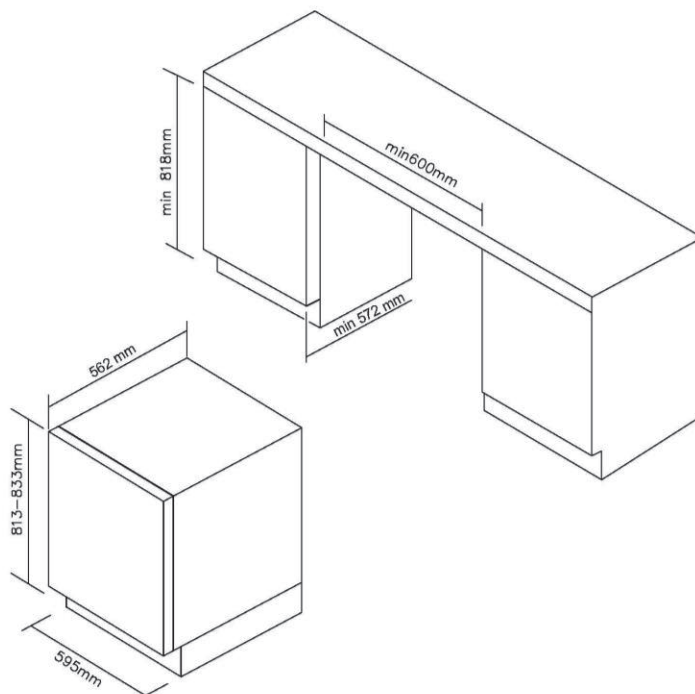
Total : 46 bouteilles (max.)



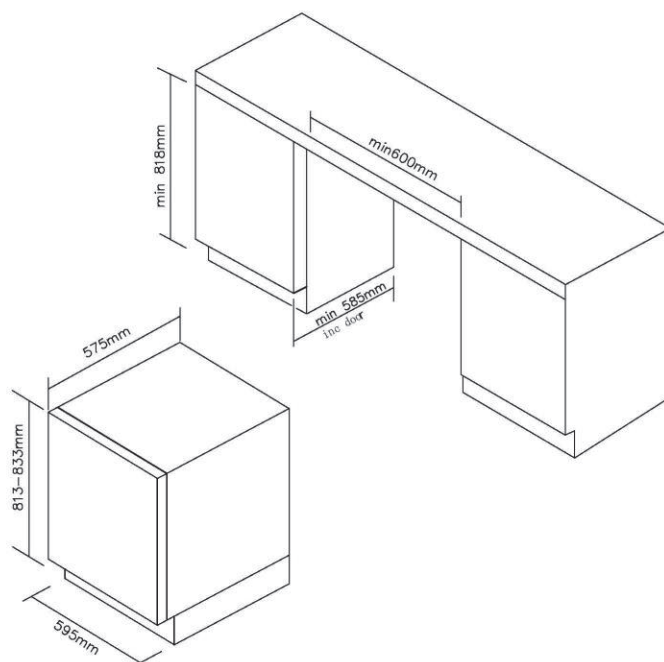
La configuration la moins énergivore nécessite que les clayettes soient positionnés dans le produit, veuillez consulter les photos ci-dessus.

➤ **Consignes pour une installation intégrée**

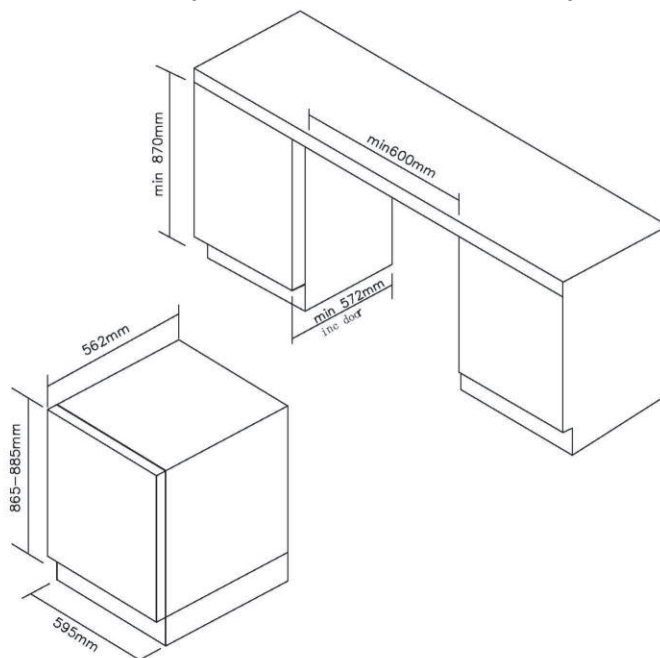
Pour une hauteur de 813 mm avec porte en verre ou en acier inoxydable



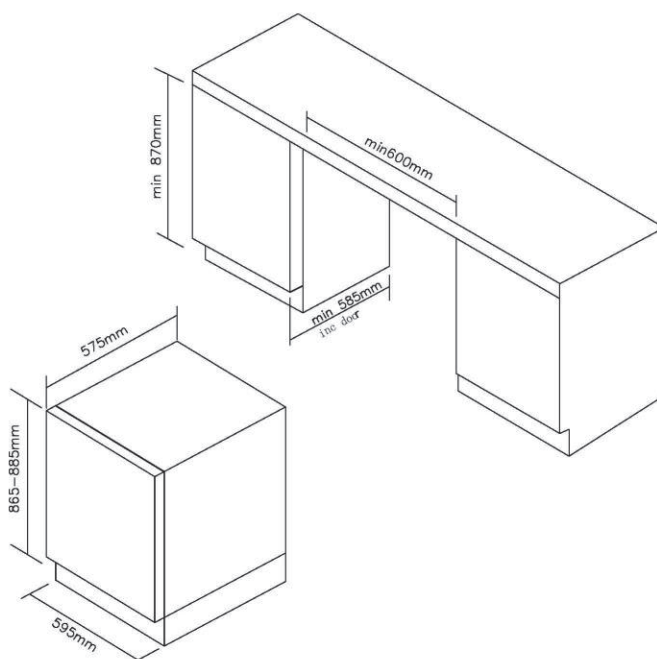
Pour une hauteur de 813 mm avec porte mince en acier inoxydable



Pour une hauteur de 865 mm avec porte en verre ou en acier inoxydable



Pour une hauteur de 865 mm avec porte mince en acier inoxydable



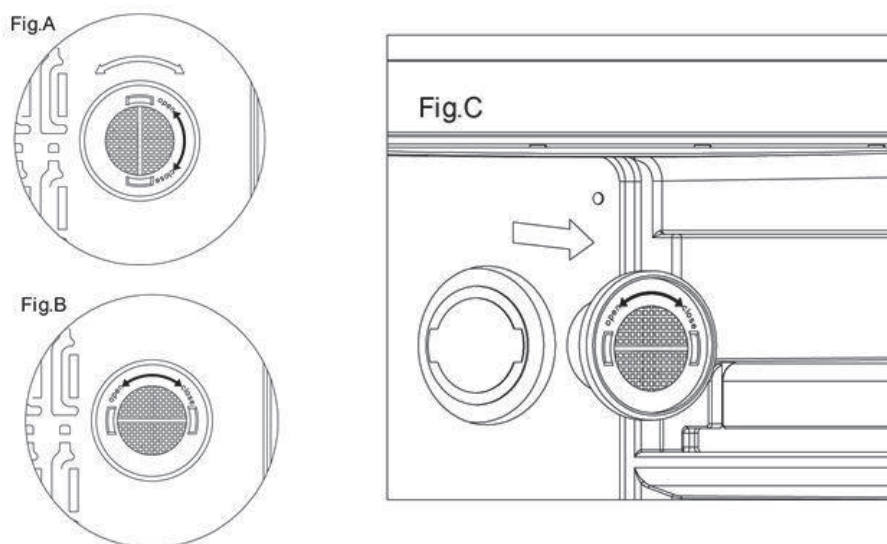
NETTOYAGE ET ENTRETIEN

➤ Nettoyage de votre cave à vin

- Éteignez l'alimentation, débranchez l'appareil et retirez tous les éléments, y compris les clayettes et étagères.
- Lavez les surfaces intérieures avec une solution d'eau tiède et de bicarbonate de soude. La solution doit être d'environ 2 cuillères à soupe de bicarbonate de soude pour un quart de litre d'eau.
- Lavez les étagères avec une solution détergente non agressive.
- Essuyez l'excès d'eau de l'éponge ou du chiffon de nettoyage au niveau de la zone des commandes et de toute pièce électrique.
- Lavez l'armoire extérieurement avec de l'eau tiède et un détergent liquide non agressif. Rincez soigneusement et essuyez à l'aide d'un chiffon doux propre.

➤ **Comment remplacer le filtre à charbon de bois (si présent dans votre appareil)**

- Les filtres Charcoal sont situés dans le coin supérieur droit de chaque cave à vin.
- Ouvrez la porte et retirez les 2 étagères supérieures (voir Retrait des étagères).
- Tournez le filtre comme sur la Fig.A.
- Comme sur la Fig.B, le filtre doit s'aligner sur les encoches comme indiqué.
- Retirez le filtre (Fig.C).
- Insérez le filtre de remplacement et tournez-le conformément à la Fig.A pour le bloquer en position.
- Réinstallez les étagères.



➤ **Panne de courant**

- La plupart des pannes de courant sont résolues en quelques heures et ne devraient donc pas affecter la température de votre appareil, si vous minimisez le nombre de fois où la porte est ouverte. Si la panne de courant doit durer plus longtemps, vous devrez prendre les mesures nécessaires pour protéger le contenu de l'appareil.

➤ **Période des vacances**

- **Vacances courtes** : Laissez votre cave à vin fonctionner pendant vos congés de moins de trois semaines.
- **Vacances longues** : Si l'appareil ne sera pas utilisé pendant plusieurs mois, retirez tous les éléments stockés et éteignez l'appareil. Nettoyez et essuyez soigneusement l'intérieur de l'appareil. Pour éviter la formation d'odeurs et de moisissures, laissez la porte légèrement ouverte : bloquez-la si nécessaire.

➤ **Manutention de votre cave à vin**

- Retirez tous les éléments stockés.
- Utilisez de la bande adhésive pour coller solidement tous les éléments non fixés(étagères) à l'intérieur de votre appareil.
- Vissez le pied réglable jusqu'à la base pour éviter tout dommage.
- Fermez la porte.
- Assurez-vous que l'appareil reste en position verticale pendant son transport. Protégez également l'extérieur de l'appareil avec une couverture ou un article semblable.

➤ **Conseils pour l'économie d'énergie**

- La cave à vin doit être installée dans la zone la plus fraîche de la pièce, loin des appareils de production de chaleur et à l'abri de la lumière directe du soleil.

DES PROBLÈMES AVEC VOTRE CAVE À VIN/REFROIDISSEUR DE BOISSONS ?

Vous pouvez résoudre facilement de nombreux problèmes courants concernant votre cave à vin/refroidisseur de boisson et économiserez les frais d'un appel d'assistance. Consultez les suggestions ci-dessous pour voir si vous pouvez résoudre votre problème avant d'appeler le service d'assistance.

GUIDE DE DÉPANNAGE

PROBLÈME	CAUSE POSSIBLE
La cave à vin/le refroidisseur de boissons ne fonctionne pas.	L'appareil n'est pas branché. L'appareil est éteint. Le disjoncteur s'est déclenché ou un fusible a grillé.
La cave à vin/le refroidisseur de boissons n'est pas assez froid.	Vérifiez le réglage de la température. L'environnement extérieur demande un réglage de la température supérieur. La porte est ouverte trop souvent. La porte n'est pas complètement fermée. Le joint de la porte n'est pas entièrement étanche.
L'appareil s'allume et s'éteint fréquemment.	La température de la pièce est plus chaude que la normale. Une grande quantité de bouteilles a été ajoutée dans la cave à vin/le refroidisseur de boissons. La porte est ouverte trop souvent. La porte n'est pas complètement fermée. Le dispositif de contrôle de la température n'est pas correctement réglé. Le joint de la porte n'est pas entièrement étanche.
La lumière ne fonctionne pas.	L'appareil n'est pas branché. Le disjoncteur s'est déclenché ou un fusible a grillé. L'ampoule a grillé. Le voyant lumineux est "ÉTEINT".
Vibrations.	Vérifiez que la cave à vin/le refroidisseur de boissons est de niveau.
La cave à vin/le refroidisseur de boissons semble faire trop de bruit.	Le bruit de cliquetis peut provenir du flux du réfrigérant, ce qui est normal. À la fin de chaque cycle, vous pouvez entendre des bruits de gargouillement causés par le flux de réfrigérant dans votre cave à vin/refroidisseur de boissons. La contraction et l'expansion des parois intérieures peuvent provoquer des bruits de claquement et de crépitement. La cave à vin/le refroidisseur de boissons n'est pas de niveau.
La porte ne se ferme pas complètement.	La cave à vin/le refroidisseur de boissons n'est pas de niveau. La porte a été inversée et mal installée. Le joint est sale. Les étagères ne sont pas dans la bonne position.

Pour contacter l'assistance technique, visitez notre site Internet: <https://corporate.haier-europe.com/en/> . Dans la section «websites», choisissez la marque de votre produit et votre pays. Vous serez redirigé vers le site Web spécifique où vous pouvez trouver le numéro de téléphone et le formulaire pour contacter l'assistance technique

➤ **Disponibilité des pièces de rechange**

- Les thermostats, les capteurs de température, les cartes de circuit imprimé et les sources lumineuses sont disponibles pour une période minimale de sept ans à compter de la mise sur le marché de la dernière unité du modèle;
- Les poignées de porte, gonds de porte, plateaux et bacs, sont disponibles pour une période minimale de sept ans, et les joints de porte sont disponibles pour une période minimale de 10 ans à compter de la mise sur le marché de la dernière unité du modèle;

RÉGLAGES conseillés de la température

Pour stocker TOUS LES TYPES de VINS **12 °C to 14 °C**

Température conseillée pour les BOISSONS

Champagne NV, pétillant	6 °C
Champagne de cuvée	10 °C
Sémillon blanc sec, Sauvignon Blanc	8 °C
Gewürztraminer blanc sec, Riesling	10 °C
Chardonnay blanc sec	10 °C
Chardonnay de cuvée	14 °C
Sauternes Monbazillac blanc doux, vin de glace de vendanges tardives	10 °C
Sauternes de cuvée blanc doux	14 °C
Beaujolais	13 °C
Pinot noir rouge	16 °C
Pinot noir de cuvée rouge	18 °C
Cabernet rouge, Merlot, français, australien, néo-zélandais, chilien, argentin, italien, espagnol, californien	18 °C
Grenache rouge, Syrah	16 °C

Pour plus d'informations sur le produit, veuillez consulter <https://eprel.ec.europa.eu/> ou scannez le QR sur l'étiquette énergétique fournie avec l'appareil

Italiano

Vi ringraziamo per aver scelto questo nostro prodotto.

Prima di utilizzare il frigorifero, leggere il presente manuale di istruzioni per massimizzare le prestazioni del prodotto. Riporre tutta la documentazione per utilizzo futuro o per i successivi proprietari. Questo apparecchio è destinato unicamente in ambiente domestico o per applicazioni simili quali:

- La zona cucina destinata al personale di negozi, uffici e altri ambienti lavorativi
- Di beauty farm, alla clientela di hotel, motel e altri ambienti di tipo residenziale
- Nei Bed&Breafast (B&B)
- Per servizi di catering ed applicazioni simili esclusa la vendita al dettaglio.

Questo elettrodomestico deve essere utilizzato unicamente per la conservazione degli alimenti; qualsiasi altro uso è considerato pericoloso e il produttore non è ritenuto responsabile per eventuali omissioni. Si consiglia anche di leggere con attenzione le condizioni di garanzia.

INFORMAZIONI DI SICUREZZA

Leggere attentamente le istruzioni per l'uso e l'installazione. Le istruzioni contengono informazioni importanti relative all'installazione, all'uso e alla manutenzione dell'elettrodomestico. Il produttore non è responsabile del mancato rispetto delle istruzioni e delle avvertenze. Conservare tutta la documentazione per future consultazioni o per i proprietari successivi.

- **Collegare l'elettrodomestico all'alimentazione elettrica solo dopo aver rimosso l'imballo e le protezioni per il trasporto. Tenere lontani i bambini dall'imballo e dai relativi componenti. I cartoni pieghevoli e la pellicola di plastica potrebbero causare il soffocamento.**
- **Lasciare riposare per almeno 4 ore prima dell'accensione per consentire all'olio del compressore di depositarsi se trasportato orizzontalmente**
- **Al momento della consegna, verificare che il prodotto non sia danneggiato e che tutte le parti e gli accessori siano in perfette condizioni**
- **Non danneggiare il circuito del refrigerante**
- **Mantenere libere da qualsiasi ostruzione le aperture di ventilazione nel luogo in cui si trova l'elettrodomestico o nella struttura nella quale è incassato**
- **Non usare mai acqua per lavare la zona del compressore, pulire accuratamente con un panno asciutto dopo la pulizia per evitare la formazione di ruggine**
- **L'elettrodomestico deve essere maneggiato sempre da almeno due persone perché è pesante.**
- **Installare l'elettrodomestico a livello in un'area adatta alle dimensioni e all'uso.**
- **Accertarsi che i dati elettrici sulla targhetta siano conformi all'alimentazione elettrica. In caso contrario, rivolgersi a un elettricista.**

- **L'elettrodomestico funziona con corrente elettrica 220-240 Vca / 50 Hz. Oscillazioni anomale della tensione possono causare il mancato avvio dell'elettrodomestico, danni al controllo della temperatura o al compressore oppure rumori anomali durante il funzionamento. In tal caso, è opportuno montare un regolatore automatico.**
- **Solo per il Regno Unito: il cavo di alimentazione dell'elettrodomestico è dotato di una spina a 3 conduttori (collegata a terra) adatta a una presa standard a 3 conduttori (collegata a terra). Non tagliare né smontare mai il terzo conduttore (collegamento a terra). Dopo l'installazione dell'elettrodomestico, la spina deve essere accessibile.**
- **Accertarsi che il cavo di rete non sia impigliato sotto l'elettrodomestico durante e dopo il trasporto/spostamento, per evitare che il cavo di rete venga tagliato o danneggiato. Se il cavo di alimentazione dell' elettrodomestico dovesse essere danneggiato, farlo sostituire dal produttore, dal suo servizio tecnico o da un tecnico qualificato, per evitare rischi**
- **Non montare l'elettrodomestico in ambienti polverosi, in presenza di olio o umidità, non esporlo alla luce solare diretta e all'acqua**
- **Non montare l'elettrodomestico vicino a stufe o materiali infiammabili**
- **PER gli elettrodomestici dotati di vano congelatore, non aprire il coperchio in caso di interruzione della corrente. Gli alimenti surgelati non dovrebbero guastarsi se l'interruzione dell'alimentazione dura meno delle ore indicate sull'etichetta della classificazione (tempo di aumento della temperatura). Se l'interruzione dell'alimentazione dura di più, controllare gli alimenti e consumarli immediatamente o ricongelarli solo dopo averli cotti.**
- **Se il coperchio dell'elettrodomestico non si riapre facilmente subito dopo che è stato chiuso, non si tratta di un problema, in quanto tale condizione dipende dalla differenza di pressione che si bilancerà entro pochi minuti consentendo nuovamente l'apertura del coperchio.**
- **Non conservare medicinali, batteri o sostanze chimiche nell'elettrodomestico. Questo elettrodomestico è destinato ad ambienti residenziali, per cui si sconsiglia di conservare materiali che richiedono temperature rigide.**
- **Non piegare troppo o tirare il cavo di alimentazione e non toccare la spina con le mani bagnate**

- **Non conservare nell'elettrodomestico prodotti contenenti propellenti infiammabili (ad es. bombolette spray) o sostanze esplosive. Pericolo di esplosione!**
- **Non collocare elementi instabili (oggetti pesanti, contenitori pieni d'acqua) sopra il frigorifero, per evitare lesioni personali dovute a cadute o scosse elettriche causate dal contatto con l'acqua.**
- **Non usare apparecchi elettrici all' interno degli scomparti per la conservazione degli alimenti dell'elettrodomestico, se questi non sono del tipo consigliato dal produttore**
- **Non toccare gli elementi interni di raffreddamento, specialmente con le mani bagnate, per evitare crepe o lesioni**
- **Sono a rischio i bambini, le persone affette da limitazione delle capacità fisiche, mentali o sensoriali, nonché le persone che non conoscono perfettamente il funzionamento sicuro dell'elettrodomestico. Accertarsi che i bambini e le persone vulnerabili siano consapevoli dei pericoli. Una persona responsabile della sicurezza deve sorvegliare o istruire i bambini e le persone vulnerabili che adoperano l'elettrodomestico. L'elettrodomestico non deve essere utilizzato da bambini di età inferiore a 8 anni.**
- **I bambini non devono giocare con l' elettrodomestico**
- **I bambini dai 3 agli 8 anni possono riempire e svuotare questo elettrodomestico**
- **PER gli elettrodomestici dotati di vano congelatore: non conservare liquidi in bottiglia o in lattina (specialmente bevande gassate) nel vano congelatore. Le bottiglie e lattine possono scoppiare!**
- **PER gli elettrodomestici dotati di vano congelatore: non mettere mai in bocca alimenti surgelati subito dopo averli estratti dal vano congelatore. Pericolo di ustioni dovute alla bassa temperatura!**
- **Accertarsi sempre che i componenti di plastica e la guarnizione dello sportello siano privi di olio e grasso. In caso contrario, i componenti di plastica e la guarnizione dello sportello diventeranno porosi.**
- **Prima di ogni intervento occorre disinserire l' alimentazione elettrica all' elettrodomestico**
- **Non usare dispositivi meccanici o altri strumenti artificiali per accelerare il processo di sbrinamento, diversi da quelli consigliati dal produttore**
- **Non utilizzare oggetti appuntiti o acuminati come coltelli o forchette per rimuovere il ghiaccio. Non utilizzare mai**

asciugacapelli, riscaldatori elettrici o altri elettrodomestici per lo sbrinamento

- **Si consiglia di mantenere pulita la spina: eventuali residui di sporco sulla spina possono provocare incendi**
- **Non cercare di riparare, smontare o modificare personalmente l'elettrodomestico. Per le riparazioni rivolgersi sempre all'assistenza clienti.**
- **Sorvegliare i bambini durante la pulizia o la manutenzione dell'elettrodomestico.**
- **Non pulire i ripiani di vetro freddi con acqua calda. Un'improvvisa variazione della temperatura può causare la rottura del vetro.**
- **AVVERTENZA: i tubi del circuito di refrigerazione trasportano una lieve quantità di refrigerante ecologico ma infiammabile (R600a) e di gas isolante (ciclopentano). Questi prodotti non danneggiano lo strato di ozono e non aumentano l'effetto serra. Se il refrigerante fuoriesce, può lesionare gli occhi o incendiarsi.**
- **Se il circuito di refrigerazione è visibilmente danneggiato:**
 - **Spegnere l'elettrodomestico e staccare la spina dalla rete elettrica.**
 - **Tenere lontano dall'elettrodomestico fiamme libere e/o fonti di ignizione.**
 - **Ventilare accuratamente il locale per alcuni minuti.**
 - **Informare l'assistenza clienti.**
- **AVVERTENZA: per scongiurare il rischio di incendi o scosse elettriche, non danneggiare la spina e/o il cavo di alimentazione.**
- **AVVERTENZA: non adoperare prese multiple o alimentatori portatili. Si sconsiglia l'uso di prolunghe e prese multiple.**
- **Non tentare di sedersi o stare in piedi sulla parte superiore dell'elettrodomestico, per evitare lesioni personali o danni all'elettrodomestico. Questo elettrodomestico non può essere impilato con altri elettrodomestici.**
- **Il prodotto è progettato e costruito solo per uso domestico**
- **È possibile utilizzare solo componenti originali forniti dal produttore. Il produttore garantisce che solo questi componenti soddisfano i requisiti di sicurezza.**
- **L'apertura prolungata della porta può causare un significativo aumento della temperatura nei vani dell'elettrodomestico**
- **Pulire regolarmente le superfici che possono venire a contatto con gli alimenti e i sistemi di scarico accessibili**
- **Pulire i serbatoi dell'acqua se non sono stati utilizzati per 48 ore; sciacquare l'impianto idrico collegato alla rete idrica se l'acqua non è stata prelevata per 5 giorni**

- **Conservare la carne e il pesce crudo in appositi contenitori in frigorifero, in modo che non vengano a contatto con altri alimenti o che non gocciolino su di essi**
- **Gli scomparti per surgelati a due stelle (se presenti nell'elettrodomestico) sono adatti alla conservazione di alimenti pre-congelati, alla conservazione o alla preparazione di gelati e alla produzione di cubetti di ghiaccio**
- **Gli scomparti a una, due e tre stelle (se presenti nell'elettrodomestico) non sono adatti al congelamento di alimenti freschi**
- **Se l'elettrodomestico viene lasciato vuoto per lunghi periodi di tempo, spegnere, sbrinare, pulire, asciugare e lasciare la porta aperta per evitare che si formi muffa all'interno**
- **Per i frigoriferi cantina: Apparecchio destinato esclusivamente alla conservazione del vino**
- **Per gli apparecchi a libera installazione: Apparecchio di refrigerazione non destinato ad essere utilizzato come apparecchio da incasso**
- **Per gli apparecchi senza uno scomparto a 4 stelle: Apparecchio di refrigerazione non idoneo al congelamento di alimenti**

Smaltimento degli elettrodomestici usati



Questo elettrodomestico dispone di contrassegno ai sensi della direttiva europea 2012/19/UE sui rifiuti di apparecchiature elettriche ed elettroniche (RAEE).

La direttiva RAEE riguarda le sostanze inquinanti (che possono causare conseguenze negative per l'ambiente) e i componenti principali (che possono essere riutilizzati). È importante che i RAEE siano sottoposti a trattamenti specifici in modo da togliere e smaltire in modo corretto gli inquinanti, nonché recuperare e riciclare tutti i materiali.

Spetta ai singoli individui garantire che i RAEE non diventino un problema a livello ambientale. Esistono alcune regole specifiche da rispettare:

- I RAEE non devono essere trattati come rifiuti domestici;
- I RAEE devono essere affidati agli speciali centri di raccolta gestiti dai comuni o da società autorizzate. In molti stati è disponibile anche un servizio di raccolta porta a porta per i RAEE.

In caso di acquisto di nuovi elettrodomestici, quelli vecchi possono essere affidati al venditore che li deve ritirare gratuitamente in numero corrispondente agli elettrodomestici acquistati, a condizione che i singoli elettrodomestici siano di tipo simile e con le stesse funzioni di quelli acquistati.

Conformità

Apponendo il marchio **CE** su questo prodotto, confermiamo la conformità a tutti i requisiti di legge europei in materia di sicurezza, salute e tutela ambientale applicabili per legge a questo prodotto.

Garanzia

La garanzia minima è: 2 anni per i Paesi UE, 3 anni per la Turchia, 1 anno per il Regno Unito, 1 anno per la Russia, 3 anni per la Svezia, 2 anni per la Serbia, 5 anni per la Norvegia, 1 anno per il Marocco, 6 mesi per l'Algeria, la Tunisia nessuna garanzia legale richiesta.

Risparmio energetico

Per un maggiore risparmio di energia si consiglia di procedere come segue:

- Installare l'elettrodomestico lontano da fonti di calore, al riparo dall'irradiazione diretta dei raggi solari e in un ambiente ben ventilato.
- Evitare di conservare alimenti caldi nel frigorifero per evitare di aumentare la temperatura interna, provocando un funzionamento continuo del compressore.
- Non riempirlo eccessivamente in modo tale da garantire una corretta circolazione dell'aria.
- Sbrinare l'elettrodomestico in presenza di ghiaccio per facilitare il trasferimento del freddo.
- In caso di mancanza di energia elettrica, si consiglia di lasciare chiusa la porta del frigorifero.
- Aprire o tenere aperte le porte dell'elettrodomestico il meno possibile.
- Evitare di regolare il termometro a temperature troppo basse.
- Togliere la polvere presente nella parte posteriore dell'elettrodomestico.

Sorgente luminosa (solo a LED) sostituibile solo da un professionista

Questo prodotto contiene una fonte luminosa con efficienza energetica di classe G.

ISTRUZIONI DI MONTAGGIO

➤ Prima di utilizzare la cantinetta per vino

- Togliere l'imballo esterno ed interno.
- Prima di collegare la cantinetta per vino all'alimentazione, lasciarla in posizione verticale per circa 2 ore. Questo serve a ridurre la possibilità di un malfunzionamento nell'impianto di raffreddamento durante la manipolazione del trasporto.
- Pulire la superficie interna con acqua tiepida utilizzando un panno morbido.
- Al momento di smaltire l'elettrodomestico, si prega di scegliere un centro di smaltimento autorizzato.

➤ Installazione della cantinetta per vino

- Questo elettrodomestico è progettato per l'installazione libera o ad incasso (completamente incassato) (Fare riferimento alla posizione dell'adesivo sul retro dell'elettrodomestico).
- **Questo elettrodomestico è destinato ad essere utilizzato esclusivamente per la conservazione di vino o bevande.**
- Collocare la cantinetta per vino su un pavimento sufficientemente robusto da sostenerlo a pieno carico. Per livellare la cantinetta per vino, regolare la gamba di livellamento anteriore nella parte inferiore della cantinetta.
- Questo elettrodomestico utilizza refrigerante antideflagrante, quindi non danneggiare mai le tubazioni di raffreddamento durante il trasporto. Posizionare la cantinetta per vino lontano dalla luce diretta del sole e da fonti di calore (stufa, riscaldamento, radiatore, ecc.). La luce solare diretta può influenzare il rivestimento acrilico e le fonti di calore possono aumentare il consumo elettrico. Anche temperature ambiente estremamente basse possono causare il malfunzionamento dell'elettrodomestico.
- Evitare di collocare l'elettrodomestico in luoghi umidi.
- Collegare la cantinetta per vino ad una presa a muro dedicata con messa a terra. Non rimuovere per alcuna ragione il puntale di terra (terzo) dal cavo di alimentazione. Eventuali domande relative all'alimentazione e/o alla messa a terra devono essere rivolte a un elettricista certificato o a un centro assistenza prodotti autorizzato.

➤ Avvertenza

- Conservare il vino in bottiglie sigillate;
- Non sovraccaricare il mobiletto;
- Non aprire la porta più del necessario;
- Non coprire i ripiani con fogli di alluminio o qualsiasi altro materiale che possa impedire la circolazione dell'aria;
- Nel caso in cui la cantinetta per vino venga conservata senza essere utilizzata per lunghi periodi si consiglia, dopo un'accurata pulizia, di lasciare socchiusa la porta per permettere all'aria di circolare all'interno del mobiletto al fine di evitare possibili formazioni di condensa, muffe o odori.

➤ Limiti di temperatura ambiente





Questo elettrodomestico è progettato per funzionare a temperature ambiente specificate dalla classe di temperatura indicata sulla targhetta.

- Temperata estesa (SN): «Apparecchio di refrigerazione destinato a essere utilizzato a una temperatura ambiente compresa tra 10 °C e 32 °C»
- Temperata (N): «Apparecchio di refrigerazione destinato a essere utilizzato a una temperatura ambiente compresa tra 16 °C e 32 °C»
- Subtropicale (ST): «Apparecchio di refrigerazione destinato a essere utilizzato a una temperatura ambiente compresa tra 16 °C e 38 °C»
- Tropicale (T): «Apparecchio di refrigerazione destinato a essere utilizzato a una temperatura ambiente compresa tra 16 °C e 43 °C»



FUNZIONAMENTO DELLA CANTINETTA PER VINO/PER LE BEVANDE E IMPOSTAZIONE DEL CONTROLLO DELLA TEMPERATURA

➤ Istruzioni del sistema di comando



- **Pulsante "  "**
Per controllare l'accensione/spegnimento di questo elettrodomestico tenere premuto questo tasto per circa 3 secondi.
- **Pulsante "  "**
Per controllare l'accensione e lo spegnimento della luce interna.
- **Pulsante "  "**
Per impostare la temperatura della cella superiore.
- **Pulsante "  "**
Per impostare la temperatura della cella inferiore.
- **Finestra di visualizzazione a LED a sinistra**
Per impostare la temperatura della cella superiore.
- **Finestra di visualizzazione a LED a destra**
Per impostare la temperatura della cella inferiore.
- **Indicatore luminoso**
Display del compressore in funzione.

➤ Impostazione dei comandi della temperatura

- Premendo il pulsante "  " o "  ", il sistema entra automaticamente nella modalità di impostazione del vano superiore o inferiore. Il LED lampeggia e visualizza la temperatura impostata.
Premere una volta il pulsante, la temperatura diminuirà o aumenterà di 1°C. Quando si supera il valore minimo che può essere stabilito, si passa automaticamente al valore di temperatura più alto regolabile. Dopo aver smesso di premere il pulsante per 5 secondi, la cifra del LED smette di lampeggiare, poi ritorna a visualizzare la temperatura del vano superiore o inferiore.
- Dopo aver scollegato l'elettrodomestico, il sistema tornerà alla temperatura di default, che viene impostata in fabbrica. La temperatura di default è la seguente:
Vano superiore: 6°C
Vano inferiore: 12°C
- Se si vuole ottenere ogni temperatura interna di impostazione, premere il pulsante corrispondente "Set Upper" o "Set Lower": il LED lampeggerà e visualizzerà la temperatura di impostazione. Dopo aver smesso di premere il pulsante per 5 secondi, la cifra del LED smette di lampeggiare, poi ritorna a visualizzare la temperatura effettiva.
Vano superiore: L'impostazione della temperatura può essere regolata tra 5°C e 10°C.
Vano inferiore: L'impostazione della temperatura può essere regolata tra 10°C e 18°C

➤ **Allarme temperatura**

Se la temperatura interna è più alta di 23°C, visualizzerà "HI" sul pannello del display, e dopo un'ora si attiverà l'allarme / il cicalino. Ciò indica che la temperatura interna è troppo alta. Se la temperatura interna è inferiore a 0°C, sul pannello del display viene visualizzato "LO" e insieme all'allarme è attivo anche l'indicatore di malfunzionamento.

➤ **Funzione di richiamo della temperatura**

In caso di interruzione dell'alimentazione, la cantinetta per vino può ricordare le impostazioni di temperatura precedenti e, quando l'alimentazione viene ripristinata, la temperatura della cantinetta torna alla stessa impostazione di temperatura che aveva al momento dello spegnimento.

➤ **Illuminazione interna**

Per ridurre il consumo di energia, questa cantinetta per vino spegne automaticamente le luci a LED dopo 10 minuti.

Se si vuole che la luce a LED rimanga accesa in modo continuo, è possibile farlo. Tenere premuto il tasto "LUCES" per 5 secondi, il display visualizzerà "LP". Dopo 4 secondi il display tornerà alla visualizzazione normale e la luce rimarrà accesa fino allo spegnimento manuale.

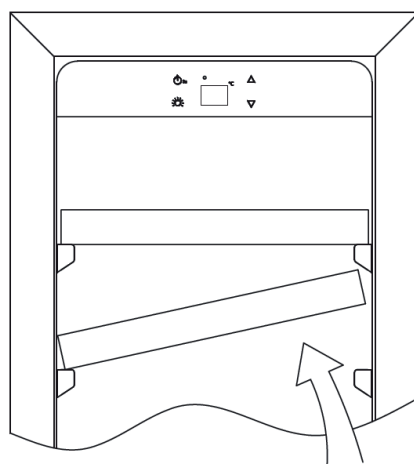
Se si desidera tornare indietro e risparmiare energia (procedura consigliata), tenere premuto il pulsante "LUCES" per 5 secondi, il display mostrerà "LF". Dopo 4 secondi il display tornerà alla visualizzazione normale e la luce si spegnerà automaticamente dopo 10 minuti.

➤ **Ripiani**

- Per evitare di danneggiare la guarnizione della porta, assicurarsi che la porta sia completamente aperta quando si estraggono i ripiani dal vano con il binario.
- Per un facile accesso al contenuto del ripiano, è necessario estrarre i ripiani per circa 1/3 dal vano con il binario. Tuttavia, l'elettrodomestico è stato progettato con una tacca su ogni lato dei binari del ripiano per evitare la caduta delle bottiglie.
- Quando si rimuove uno di questi ripiani dal vano con il binario, per montare o togliere il ripiano è necessario inclinare il ripiano come indicato sullo schema e quindi estrarlo semplicemente, oppure spingerlo fino a quando non si appoggia saldamente sulle staffe di supporto.

➤ **NOTA:**

- Se l'elettrodomestico non è collegato alla presa, non è più alimentato oppure è spento, è necessario aspettare da 3 a 5 minuti prima di riattivarlo. Se si cerca di riattivarlo prima di questo intervallo di tempo, la cantinetta per vino/bevande non parte.
- Quando si utilizza la cantinetta per vino/bevande per la prima volta o la si riavvia dopo essere stata spenta per un lungo periodo di tempo, potrebbe esserci una variazione di alcuni gradi tra la temperatura selezionata e quella indicata sul display a LED. Questo è normale ed è dovuto alla lunghezza del tempo di attivazione. Una volta che la cantinetta per vino/bevande sarà in funzione per qualche ora, tutto tornerà alla normalità.



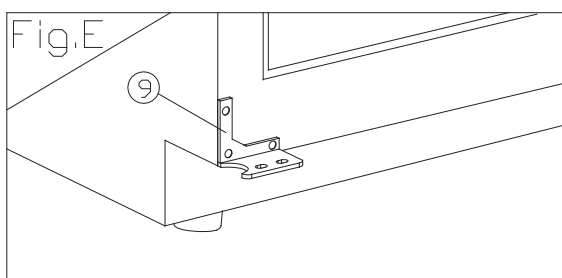
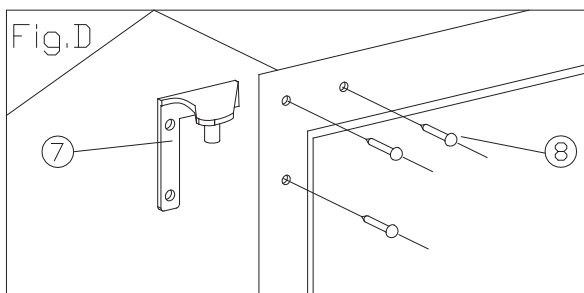
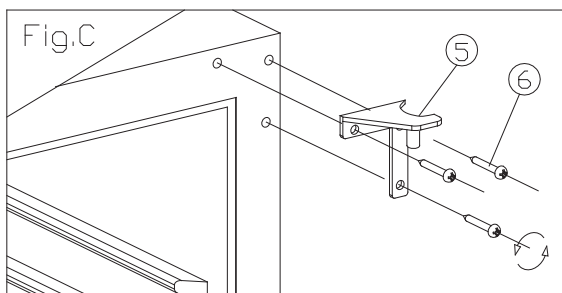
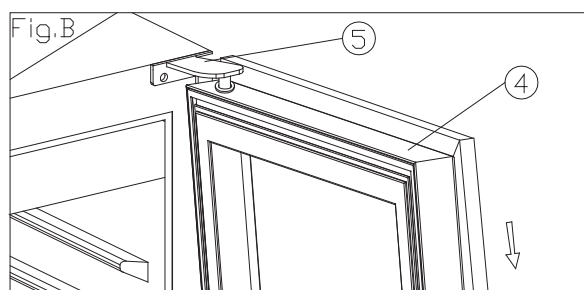
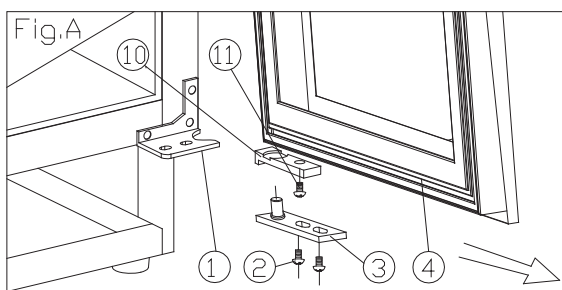
➤ Come cambiare l'apertura della porta

Questo elettrodomestico è dotato di porte reversibili ma viene fornito con una porta incernierata a destra. Il kit con cerniera sinistra viene fornito con l'elettrodomestico (nella scatola), se si desidera invertire la cerniera dell'elettrodomestico stesso.

Tipo A (per porta tutto vetro / acciaio inox)

- | | | |
|---|---------------------------------------|---|
| 1. Cerniera inferiore (destra) | 2. Viti | 3. Asse della porta |
| 4. Porta | 5. Cerniera superiore (destra) | 6. Viti della cerniera |
| 7. Cerniera superiore (sinistra) | 8. Copertura del foro | 9. Cerniera inferiore (sinistra) |
| 10. Fermo della porta | 11. Vite | |

1. Aprire la porta ad un angolo di 90 gradi, togliere le 2 viti (2) dall'asse inferiore della porta (3), rimuovere la porta (4), rimuovere la piastra dell'asse (3) dalla porta, (Fig. A).
2. Svitare la vite (11) situata sotto il telaio della porta e il fermo (10) e riposizionarla sul lato sinistro del telaio della porta. (Fig. A/B)
3. Estrarre le 3 viti della cerniera (6) dalla cerniera superiore (destra) (5) e toglierla. (Fig. C)
4. Togliere il chiodo decorativo (8) dalla parte superiore sinistra del mobiletto e montare la cerniera superiore di ricambio (sinistra) (7) nella parte superiore sinistra del mobiletto con 3 viti. (Fig. D)
5. Seguendo la procedura sopra descritta, montare la cerniera inferiore di ricambio a sinistra (9). (Fig. E)
6. Montare e allineare la porta.
7. Inserire i tappi di plastica per coprire i fori (8).



Tipo B (per porta sottile in acciaio inossidabile)

1 Cerniera inferiore (destra)

2 Viti

3 Perni porta

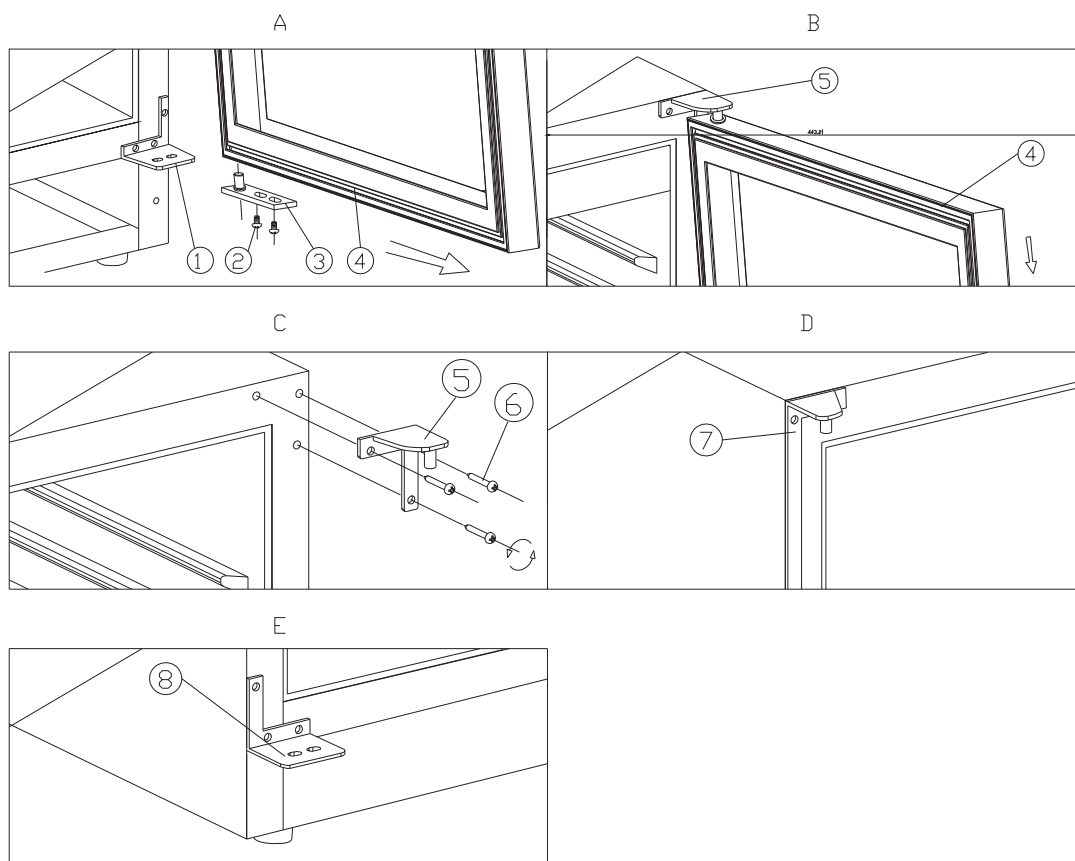
4 Porte

5 Cerniere superiori (destra)

6 Viti

7 Cerniere superiori (sinistra)
(sinistra)

8 Cerniere inferiori (sinistra)

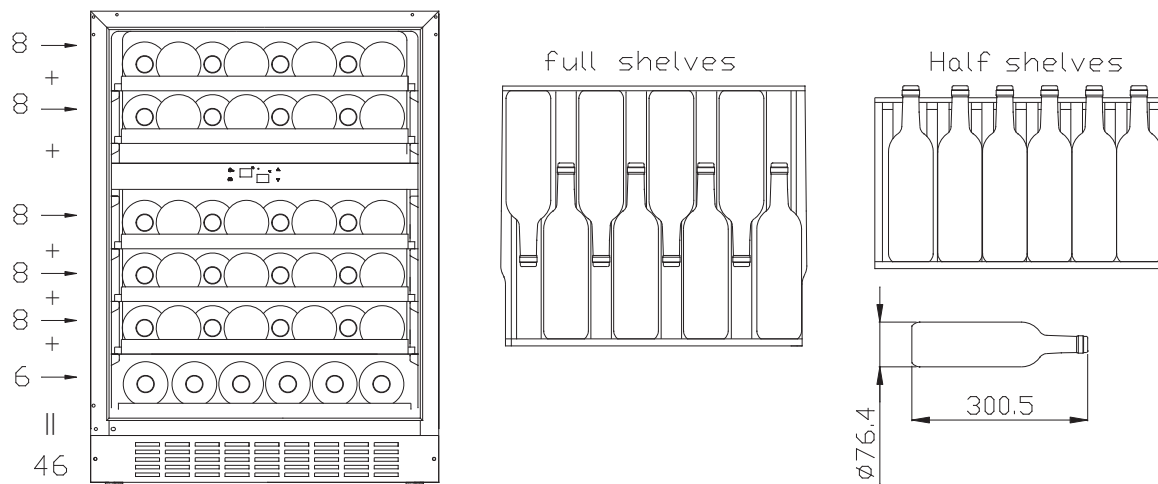


1. Togliere 2 viti (2), quindi tirare la porta (4) come da direzione della freccia e la cerniera inferiore (destra)(1) come per il montaggio. (Fig. A e Fig. B)
2. Togliere 3 viti (6) della cerniera superiore destra, quindi togliere la cerniera superiore destra (5) e la cerniera inferiore destra (1). (Vedere Fig. C)
3. Utilizzare le viti tolte dalle cerniere di destra per fissare le cerniere di sinistra superiore e inferiore (7)(8). (Vedere Fig. D e Fig. E)
4. Ruotare la porta a 180 gradi, quindi montare la porta seguendo la procedura inversa rispetto allo smontaggio.

➤ **Schema di conservazione vino/bevande**

In base alla configurazione effettiva del vostro prodotto, si prega di controllare il relativo schema di conservazione.

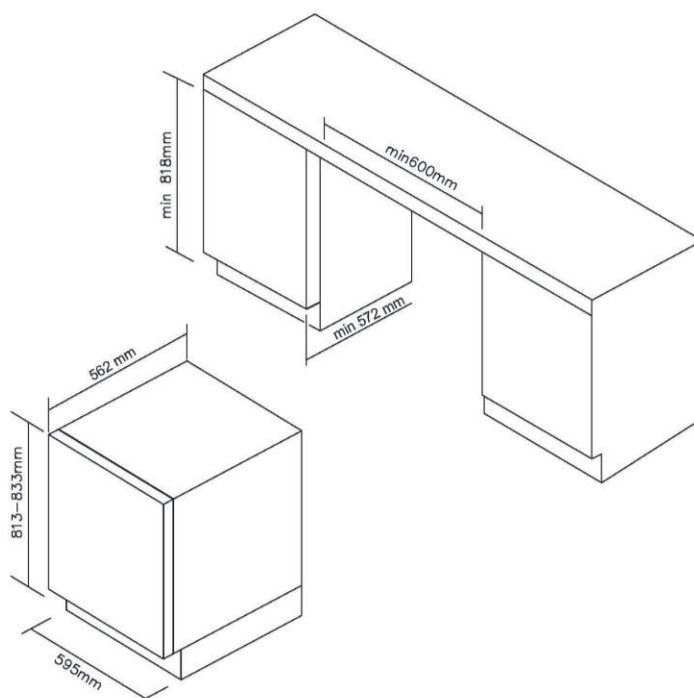
Totale: massimo 46 bottiglie



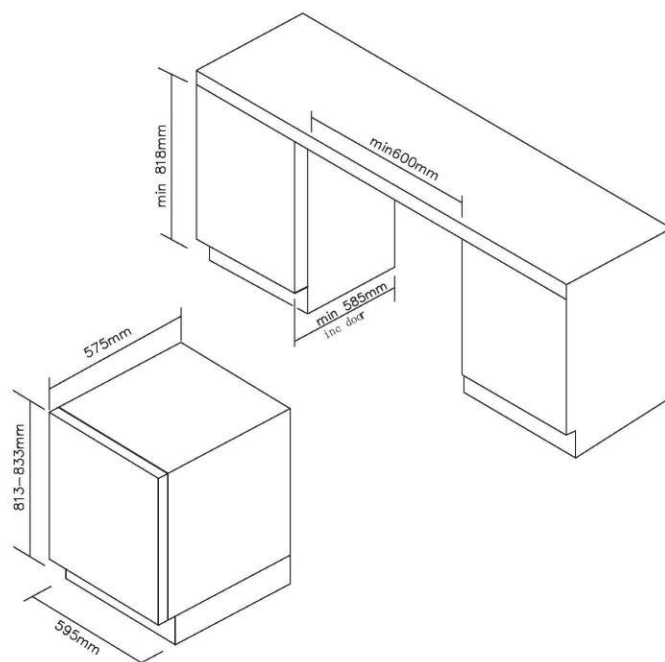
La configurazione che consente il maggiore risparmio energetico richiede il posizionamento dei ripiani nel prodotto; fare riferimento alle immagini precedenti.

➤ **Specifiche di montaggio per incasso**

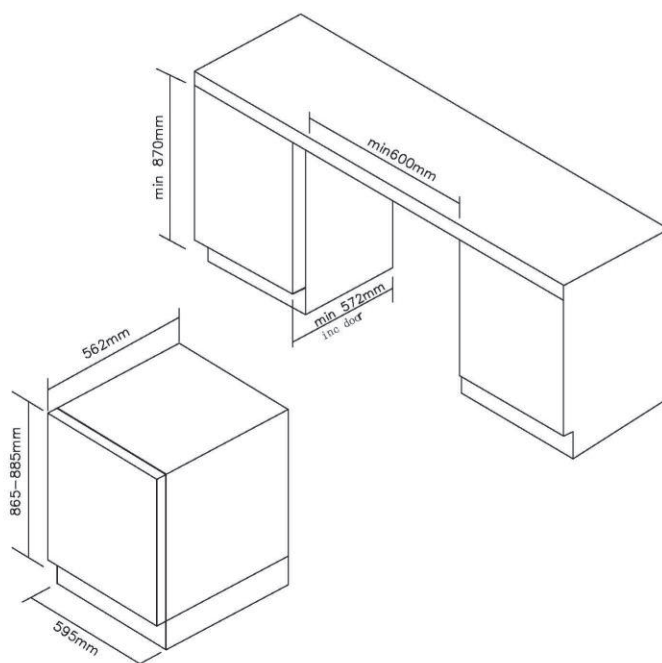
Per altezza 813 mm con porta tutto vetro / acciaio inox



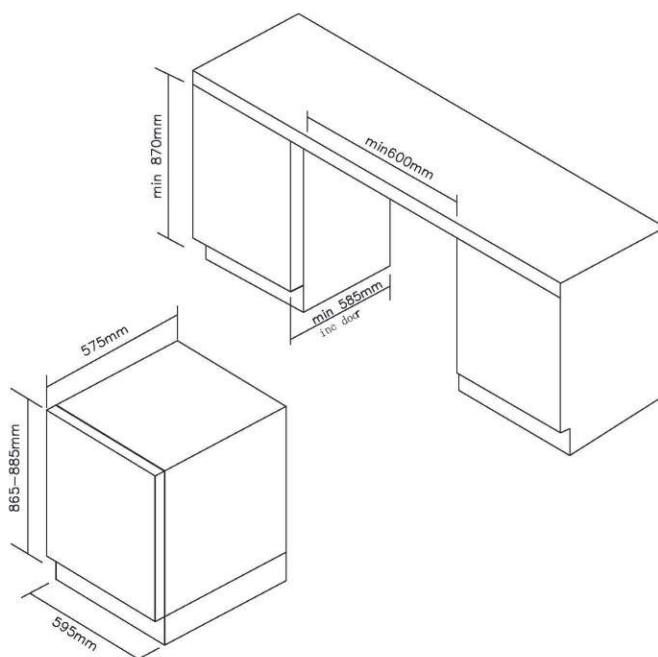
Per altezza 813 con porta in acciaio inox sottile



Per altezza 865 mm con porta tutto vetro / acciaio inox



Per altezza 865 con porta in acciaio inox sottile



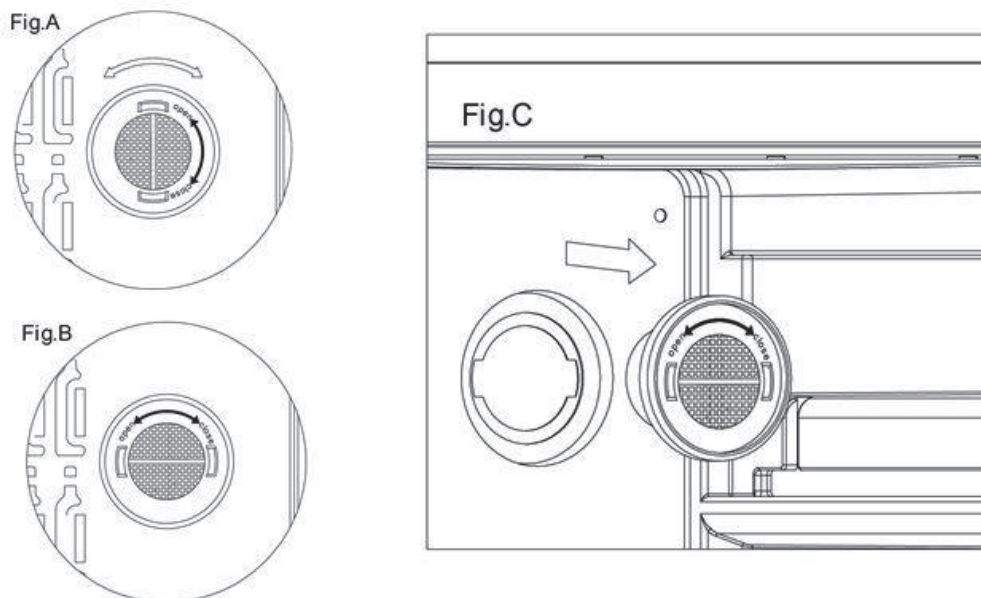
PULIZIA E MANUTENZIONE

➤ Pulizia della cantinetta per vino

- Togliere alimentazione, scollegare l'elettrodomestico e rimuovere tutti gli oggetti, compresi i ripiani e la griglia.
- Lavare le superfici interne con acqua calda e una soluzione di bicarbonato di sodio. La soluzione dovrebbe essere di circa 2 cucchiaini di bicarbonato di sodio in un quarto d'acqua.
- Lavare i ripiani con una soluzione detergente delicata.
- Strizzare l'acqua in eccesso dalla spugna o dal panno quando si pulisce l'area dei comandi, o qualsiasi parte elettrica.
- Lavare il mobiletto esterno con acqua calda e detergente liquido delicato. Sciacquare bene e asciugare con un panno morbido pulito.

➤ **Come sostituire il filtro a carbone (se presente nel vostro apparecchio)**

- I filtri al carbone si trovano nell'angolo in alto a destra di ogni zona della cantinetta.
- Aprire lo sportello e togliere i 2 ripiani superiori (vedere smontaggio dei ripiani).
- Ruotare il filtro come da Fig. A.
- Come indicato in Fig. B, il filtro deve allinearsi con le tacche come mostrato in figura.
- Estrarre il filtro (Fig. C).
- Inserire il filtro di ricambio e ruotare come da Fig. A per bloccarlo in posizione.
- Rimontare i ripiani.



➤ **Mancanza di alimentazione**

- La maggior parte delle interruzioni di corrente vengono risolte nel giro di poche ore e non dovrebbero influire sulla temperatura dell'elettrodomestico se si riduce al minimo il numero di aperture della porta. Se l'alimentazione viene interrotta per un periodo di tempo prolungato, è necessario adottare le misure adeguate per proteggere il contenuto.

➤ **Periodi di vacanza**

- **Assenze brevi:** Lasciare la cantinetta per vino in funzione in caso di assenze inferiori alle tre settimane.
- **Assenze prolungate:** Se l'elettrodomestico non verrà utilizzato per diversi mesi, rimuovere il contenuto e staccare la spina. Pulire e asciugare accuratamente l'interno dell'elettrodomestico. Per impedire la formazione di odori e di muffa, lasciare la porta leggermente aperta, se necessario bloccarla.

➤ **Spostamento della cantinetta per vino**

- Rimuovere tutti gli elementi.
- Fissare saldamente con nastro tutti gli elementi sfusi (ripiani) all'interno dell'elettrodomestico.
- Ruotare la gamba regolabile fino alla base per evitare danni.
- Chiudere la porta con nastro adesivo.
- Assicurarsi che l'elettrodomestico rimanga in posizione verticale durante il trasporto. Proteggere anche l'esterno dell'elettrodomestico con una coperta o un oggetto simile.

➤ **Accorgimenti per il risparmio energetico**

- La cantinetta per vino deve essere posizionata nel punto più fresco della stanza, lontano da elettrodomestici che producono calore e al riparo dalla luce diretta del sole.

PROBLEMA DELLA CANTINETTA PER VINO/BEVANDE?

È possibile risolvere molti problemi più comuni della cantinetta per vino/bevande, risparmiando il costo di una possibile chiamata di servizio. Provare i suggerimenti riportati di seguito per verificare se è possibile risolvere il problema prima di chiamare il servizio di assistenza.

GUIDA ALL'INDIVIDUAZIONE DEI PROBLEMI

PROBLEMA	POSSIBILE CAUSA
La cantinetta per vino/bevande non funziona.	Non collegata. L'elettrodomestico è spento. L'interruttore automatico è scattato o il fusibile è bruciato.
La cantinetta per vino/bevande non è sufficientemente fredda.	Verificare l'impostazione del controllo della temperatura. L'ambiente esterno può richiedere un'impostazione più elevata. La porta viene aperta con troppa frequenza. La porta è chiusa male. La guarnizione della porta non sigilla correttamente.
Si accende e spegne frequentemente.	La temperatura ambiente è più calda del normale. Una grande quantità di contenuto è stata aggiunta alla cantinetta per vino/bevande. La porta viene aperta con troppa frequenza. La porta è chiusa male. Il controllo della temperatura non è impostato correttamente. La guarnizione della porta non sigilla correttamente.
La luce non funziona.	Non collegata. L'interruttore automatico è scattato o il fusibile è bruciato. La lampadina è bruciata. Il pulsante della luce è spento.
Vibrazioni.	Controllare che la cantinetta per vino/bevande sia in piano.
La cantinetta per vino/bevande sembra essere troppo rumorosa.	Il rumore di battito può provenire dal flusso del refrigerante, che è normale. Al termine di ogni ciclo, potreste sentire dei gorgoglii causati dal flusso di refrigerante nella vostra cantinetta per vino/bevande. La contrazione e l'espansione delle pareti interne possono causare rumori di scoppiettio e crepitio. La cantinetta per vino/bevande non è in piano.
La porta non chiude in modo corretto.	La cantinetta per vino/bevande non è in piano. La porta è stata invertita e non è stata installata correttamente. La guarnizione è sporca. I ripiani non sono in posizione.

Per contattare l'assistenza tecnica, visitare il nostro sito Web: <https://corporate.haier-europe.com/en/>. Nella sezione "websites", scegli la marca del tuo prodotto e il tuo paese. Verrai reindirizzato al sito specifico dove potrai trovare il numero di telefono e il modulo per contattare l'assistenza tecnica

➤ **Disponibilità dei ricambi**

- Termostati, sensori di temperatura, schede a circuiti stampati e sorgenti luminose sono disponibili per un periodo minimo di sette anni dall'immissione sul mercato dell'ultima unità del modello;
- Maniglie e cerniere delle porte, vassoi e cesti sono disponibili per un periodo minimo di sette anni e guarnizioni delle porte per un periodo minimo di dieci anni dall'immissione sul mercato dell'ultima unità del modello;

IMPOSTAZIONI DI TEMPERATURA consigliate

Per conservare TUTTI I TIPI DI VINI **12 °C to 14 °C**

Per conservare TUTTI I TIPI DI VINI

Champagne Sans Année **6 °C**

Champagne millesimato **10 °C**

Semillon bianco secco, Sauvignon Blanc **8 °C**

Gewürztraminer bianco secco, Riesling **10 °C**

Chardonnay bianco secco **10 °C**

Chardonnay millesimato **14 °C**

Bianchi dolci (Sauternes, Monbazillac), ice wine di vendemmia tardiva **10 °C**

Sauternes millesimati (bianco dolce) **14 °C**

Beaujolais **13 °C**

Pinot Noir rosso **16 °C**

Pinot Noir rosso millesimato **18 °C**

Cabernet rosso, Merlot, francese, australiano, neozelandese, cileno, argentino, italiano, spagnolo, californiano **18 °C**

Grenache rosso, Syrah **16 °C**

Per ulteriori informazioni sul prodotto, consultare <https://eprel.ec.europa.eu/> o eseguire la scansione del QR sull'etichetta energetica fornita con l'apparecchio

Nederlands

Dank u voor de aanschaf van dit product.

Voordat u de koelkast gaat gebruiken dient u deze gebruiksaanwijzing aandachtig te lezen om de maximale prestaties van het apparaat te bereiken. Bewaar alle documentatie voor latere raadpleging of voor andere eigenaars. Dit product is uitsluitend bedoeld voor huishoudelijk gebruik of soortgelijke toepassingen, zoals:

- de personeelskeuken in winkels, kantoren en andere werkomgevingen
- op landbouwbedrijven, door cliënten in hotels, motels en andere woonomgevingen
- in Bed and Breakfasts (B&B)
- voor cateringservices en vergelijkbare toepassingen die niet voor retailverkoop zijn bedoeld.

Dit apparaat mag alleen worden gebruikt om voedsel te conserveren, elk ander gebruik wordt gevaarlijk geacht en de fabrikant aanvaardt geen aansprakelijkheid voor eventuele problemen. Verder adviseren wij u om de garantievoorzwaarden te lezen.

VEILIGHEIDSINFORMATIE

Lees de bedienings- en installatieinstructies zorgvuldig door! Ze bevatten belangrijke informatie over de installatie, het gebruik en het onderhoud van het apparaat. De fabrikant is niet aansprakelijk als u zich niet aan de instructies en waarschuwingen houdt. Bewaar alle documenten voor volgend gebruik of voor de volgende eigenaar.

- **Sluit het apparaat niet aan op de elektriciteitsvoorziening voordat alle verpakkingen en transportbeschermers zijn verwijderd. Houd kinderen uit de buurt van verpakkingen en onderdelen. Gevaar voor verstikking van vouwdoosjes en plastic folie!**
- **Laat het apparaat minstens 4 uur staan voordat u het inschakelt, zodat de compressorolie kan bezinken na horizontaal transport**
- **Controleer bij levering of het product niet beschadigd is en of alle onderdelen en accessoires in perfecte staat zijn**
- **Beschadig het koelmiddelcircuit niet.**
- **Zorg dat de ventilatieopeningen in de omkasting van het apparaat of in de inbouwconstructie nooit verstopt raken of afgedekt worden**
- **Gebruik nooit water om de compressor te wassen, veeg deze na het reinigen grondig schoon met een droge doek om roestvorming te voorkomen**
- **Verplaats het apparaat altijd met ten minste twee personen, het is namelijk zwaar.**
- **Installeer het apparaat waterpas op een plaats die geschikt is voor de grootte en het gebruik ervan.**
- **Controleer of de elektrische informatie op het typeplaatje overeenkomt met de stroomvoorziening. Als dat niet het geval is, neem dan contact op met een elektricien.**
- **Het apparaat wordt gebruikt met een voeding van 220-240 VAC/50 Hz. Abnormale spanningsschommelingen kunnen ertoe leiden dat het apparaat niet start of dat de temperatuurregeling of de compressor beschadigd raakt of dat er tijdens het gebruik een abnormaal geluid optreedt. In dat geval moet er een automatische regelaar worden gemonteerd.**
- **Alleen voor Groot-Brittannië: Het netsnoer van het apparaat is voorzien van een 3-pins (geaarde) stekker die past op een**

standaard 3-pins (geaard) stopcontact. De derde pin (aarding) mag nooit worden afgesneden of gedemonteerd. Nadat het apparaat is geïnstalleerd, moet de stekker bereikbaar zijn.

- Zorg ervoor dat het netsnoer tijdens en na het dragen/verplaatsen van het apparaat niet onder het apparaat blijft vastzitten, om te voorkomen dat het netsnoer doorgesneden of beschadigd wordt. Als het netsnoer beschadigd is, moet het worden vervangen door de fabrikant, zijn servicevertegenwoordiger of andere bevoegde personen om gevaarlijke situaties te voorkomen
- Zet het apparaat niet op vochtige, olieachtige of stoffige plaatsen en stel het niet rechtstreeks bloot aan zonlicht en water
- Installeer het apparaat niet in de buurt van verwarmingen of ontvlambare materialen
- VOOR apparaten met een vriesvak: het deksel niet openen als er een stroomstoring is. Bevroren voedsel mag niet worden beïnvloed als de storing minder lang duurt dan de uren die op het etiket worden vermeld (Stijgtijd temperatuur). Als de storing langer duurt, moet het voedsel worden gecontroleerd en onmiddellijk worden geconsumeerd of bereid en daarna opnieuw ingevroren.
- Maakt u zich geen zorgen als het deksel van de diepvrieskist meteen nadat u hem heeft gesloten moeilijk te openen is. Dit komt door het drukverschil, dat gewoonlijk na enkele minuten verdwijnt waardoor het deksel gewoon kan worden geopend.
- Bewaar geen geneesmiddelen, bacteriën of chemische middelen in het apparaat. Dit apparaat is een huishoudelijk apparaat, het wordt niet aanbevolen om materialen op te slaan die strikte temperaturen vereisen.
- Trek niet aan het snoer en knik het niet; raak het niet met natte handen aan
- Bewaar geen producten die ontvlambare drijfgassen (bijv. spuitbussen) of explosieve stoffen bevatten in het apparaat. Risico op explosie!
- Plaats geen onstabiele voorwerpen (zware voorwerpen, containers gevuld met water) bovenop de koelkast, om persoonlijk letsel door vallen of elektrische schokken door contact met water te voorkomen.
- Gebruik geen elektrische apparaten in de bewaarvakken voor voedingsmiddelen van het apparaat, tenzij ze van het door de fabrikant aanbevolen type zijn
- Raak de interne koelelementen niet aan, vooral niet met natte handen, om scheuren of verwondingen te voorkomen
- Kinderen, mensen met beperkte lichamelijke, mentale of zintuiglijke vermogens, en mensen die onvoldoende kennis hebben

over de veilige bediening van het apparaat lopen een groter risico. Controleer of kinderen en kwetsbare mensen de gevaren hebben begrepen. Een persoon die verantwoordelijk is voor de veiligheid moet toezicht houden op of instructies geven aan kinderen en kwetsbare personen die het apparaat gebruiken. Alleen kinderen van 8 jaar en ouder mogen het apparaat gebruiken.

- Kinderen mogen niet met het apparaat spelen
- Kinderen van 3 tot 8 jaar mogen dit apparaat in- en uitladen
- VOOR apparaten met een vriesvak: bewaar geen vloeistoffen in flessen of blik (vooral geen koolzuurhoudende dranken) in het vriesvak. Flessen en blikken kunnen barsten!
- VOOR apparaten met een vriesvak: plaats bevroren voedsel nooit rechtstreeks uit het vriesvak in uw mond. Risico op vrieswonden!
- Houd plastic onderdelen en de afdichting van de deur vrij van olie en vet. Anders zullen plastic onderdelen en de deurafdichting poreus worden.
- Haal de stekker uit het stopcontact voordat u welke handeling dan ook op het apparaat gaat verrichten
- Gebruik geen mechanische apparaten of andere middelen om het ontdooien te versnellen, behalve degene die worden aanbevolen door de fabrikant
- Gebruik geen puntige of scherpe voorwerpen zoals messen of vorken om de ijsafzettingen te verwijderen. Gebruik nooit föhnen, elektrische verwarmingstoestellen of andere dergelijke elektrische apparaten om te ontdooien
- Geadviseerd wordt om de stekker schoon te houden, stof op de stekker kan de oorzaak zijn van brand
- Probeer het apparaat niet zelf te repareren, te demonteren of te wijzigen. In geval van reparatie kunt u altijd contact opnemen met onze klantenservice.
- Houd tijdens het schoonmaken of onderhouden van het apparaat toezicht op kinderen.
- Reinig de koude glazen planken niet met heet water. Door plotselinge temperatuurveranderingen kan het glas breken.
- WAARSCHUWING: De leidingen van het koelcircuit transporteren een kleine hoeveelheid milieuvriendelijk maar ontvlambaar koelmiddel (R600a) en isolatiegas (cyclopentaan). Het is niet schadelijk voor de ozonlaag en vergroot het broeikaseffect niet. Als het koelmiddel ontsnapt, kan het letsel aan uw ogen veroorzaken of ontbranden.
- Als het koelcircuit beschadigd raakt:
 - Schakel het apparaat uit en trek de stekker uit het stopcontact.

- Houd open vlammen en/of ontstekingsbronnen uit de buurt van het apparaat.
- Ventileer de ruimte enkele minuten grondig.
- Breng de klantenservice op de hoogte.
- **WAARSCHUWING:** Beschadig de stekker en/of het netsnoer niet; dit kan elektrische schokken of brand veroorzaken.
- **WAARSCHUWING:** Gebruik geen meerdere draagbare stopcontacten of draagbare voedingen. We raden het gebruik van verlengsnoeren en multi-adapters niet aan."
- Probeer niet op de bovenkant van het apparaat te zitten of staan. U kunt uzelf verwonden of het apparaat beschadigen. Dit apparaat is niet ontworpen om op andere apparaten te stapelen.
- Het product is uitsluitend ontworpen en gebouwd voor huishoudelijk gebruik
- Alleen originele onderdelen die door de fabrikant worden geleverd, mogen worden gebruikt. De fabrikant garandeert dat alleen deze onderdelen aan de veiligheidseisen voldoen.
- Het langdurig openen van de deur kan leiden tot een aanzienlijke verhoging van de temperatuur in de compartimenten van het apparaat
- Reinig regelmatig oppervlakken die in contact kunnen komen met levensmiddelen en toegankelijke afvoersystemen
- Reinig waterreservoirs als ze 48 uur niet zijn gebruikt; spoel de waterinstallatie door als er gedurende 5 dagen geen water is aangezogen
- Bewaar rauw vlees en vis in geschikte recipiënten in de koelkast, zodat deze niet in contact komen met of druipen op ander voedsel
- De diepvriesvakken met twee sterren (als ze in het apparaat aanwezig zijn) zijn geschikt voor het bewaren van vooringevroren levensmiddelen, het bewaren of maken van ijs en het maken van ijsblokjes
- Een-, twee- en drie-sterren compartimenten (als ze in het apparaat aanwezig zijn) zijn niet geschikt voor het invriezen van verse levensmiddelen
- Als het apparaat gedurende lange tijd leeg is, moet u het uitschakelen, ontdooien, reinigen, drogen en de deur open laten om schimmelvorming in het apparaat te voorkomen
- Voor wijnbewaarkasten: Dit apparaat is uitsluitend bedoeld voor het bewaren van wijn
- Voor een vrijstaand apparaat: Dit koelapparaat is niet bedoeld om te worden gebruikt als inbouwapparaat
- Voor apparaten zonder 4-sterrencompartiment: dit koelapparaat is niet geschikt voor het invriezen van levensmiddelen

Afdanken van oude apparaten



Dit apparaat is voorzien van een merkteken in overeenstemming met de Europese richtlijn 2012/19/EU inzake Afgedankte Elektrische en Elektronische Apparatuur (AEEA).

AEEA bevat vervuilende stoffen (die negatieve gevolgen voor het milieu kunnen hebben) en basisonderdelen (die hergebruikt kunnen worden). Het is belangrijk om AEEA specifieke behandelingen te laten ondergaan, teneinde alle vervuilende stoffen te verwijderen of op de juiste manier af te voeren en alle materialen terug te winnen en te recyclen.

Personen kunnen een belangrijke rol spelen om ervoor te zorgen dat AEEA niet in het milieu terecht komt; hiervoor moeten enkele elementaire regels worden gevolgd:

- AEEA mag niet worden behandeld als gewoon huisvuil;
- AEEA moet naar een speciaal gemeentelijk inzamelpunt of naar geregistreerde bedrijven worden gebracht. In veel landen wordt grote AEEA thuis opgehaald.

Wanneer u een nieuw apparaat koopt, kunt u in veel landen uw oude apparaat inleveren bij de leverancier, die het gratis meeneemt, zolang de apparatuur van hetzelfde type is en dezelfde functies heeft als de geleverde apparatuur.

Naleving

Door het aanbrengen van de **CE**-markering op dit product, verklaren wij onder onze eigen verantwoordelijkheid dat dit product in overeenstemming is met alle Europese wettelijke voorschriften met betrekking tot de vereisten inzake veiligheid, gezondheid en milieu.

Garantie

Minimumgarantie is: 2 jaar voor EU-landen, 3 jaar voor Turkije, 1 jaar voor het Verenigd Koninkrijk, 1 jaar voor Rusland, 3 jaar voor Zweden, 2 jaar voor Servië, 5 jaar voor Noorwegen, 1 jaar voor Marokko, 6 maanden voor Algerije, Tunesië geen wettelijke garantie vereist.

Energiebesparing

Voor meer energiebesparing adviseren we het volgende:

- Plaats het apparaat uit de buurt van warmtebronnen en niet blootgesteld aan direct zonlicht, in een goed geventileerde ruimte.
- Vermijd het plaatsen van warm voedsel in de koelkast om te voorkomen dat de interne temperatuur stijgt en dat de compressor dus continu in werking blijft.
- Zet niet te veel voedsel in het apparaat, want er moet voldoende lucht kunnen circuleren.
- Ontdooi het apparaat als er zich ijs gevormd heeft, om de koudeoverdracht te bevorderen.
- Als de stroom uitvalt, is het raadzaam de koelkastdeur gesloten te houden.
- Open de deuren van het apparaat zo weinig mogelijk en houd ze zo kort mogelijk open.
- Zet de thermostaat niet op te lage temperaturen.
- Verwijder het stof van de achterkant van het apparaat

De lichtbron (alleen led) mag alleen door een vakman worden vervangen

Dit product bevat een lichtbron van energie-efficiëntieklasse G.

INSTALLATIE-INSTRUCTIES

➤ **Voordat u uw wijnkoeler gebruikt**

- Verwijder de buiten- en binnenverpakking.
- Laat de wijnkoeler ongeveer 2 uur rechtop staan voordat u deze aansluit op de netvoeding. Dit verkleint de mogelijkheid van een storing in het koelsysteem door hantering tijdens het transport.
- Reinig de binnenkant met lauw water en een zachte doek.
- Kies bij het afdanken van uw apparaat voor een geautoriseerde afvoerlocatie.

➤ **Installatie van uw wijnkoeler**

- Dit apparaat is ontworpen voor vrijstaande installatie of ingebouwde (volledig verzonken) installatie (raadpleeg de sticker aan de achterkant van dit apparaat).
- **Dit apparaat is uitsluitend bedoeld voor het bewaren van wijn of dranken.**
- Plaats uw wijnkoeler op een vloer die sterk genoeg is om hem te ondersteunen wanneer hij volledig volgeladen is. Om uw wijnkoeler waterpas te zetten, stelt u de nivelleringspoot aan de voorzijde aan de onderkant van de wijnkoeler af.
- Dit apparaat gebruikt brandbaar koudemiddel. Beschadig de koelleidingen dus nooit tijdens het transport. Plaats de wijnkoeler uit de buurt van direct zonlicht en warmtebronnen (fornuis, verwarming, radiator enz.). Direct zonlicht kan de acrylcoating beïnvloeden en warmtebronnen kunnen het elektriciteitsverbruik verhogen. Extreme koude omgevingstemperaturen kunnen er ook voor zorgen dat het apparaat niet goed werkt.
- Plaats het apparaat niet in vochtige ruimtes.
- Sluit de wijnkoeler aan op een apart, correct geïnstalleerd stopcontact. Verwijder de derde (aard)pin nooit, onder geen enkele omstandigheid, uit de stekker van het netsnoer. Alle vragen met betrekking tot de stroomvoorziening en/of aarding dienen te worden gericht aan een erkende elektricien of een erkend productenservicecenter.

➤ **Let op**

- Bewaar wijn in verzegelde flessen;
- Laad de kast niet te vol;
- Open de deur niet, tenzij nodig;
- Bedek schappen niet met aluminiumfolie of enig ander materiaal dat de luchtcirculatie kan verhinderen;
- Als de wijnkoeler langdurig zonder gebruik wordt bewaard, wordt aanbevolen om na een zorgvuldige reiniging de deur op een kier te laten staan zodat er lucht in de kast kan circuleren, om mogelijke vorming van condens, schimmel of geuren te voorkomen.

➤ **Omgevingstemperatuurlimieten**

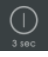



Dit apparaat is ontworpen om te werken bij omgevingstemperaturen die worden gespecificeerd door de temperatuurklasse die op het typeplaatje is aangegeven.

- Uitgebreid gematigd (SN): "dit koelapparaat is bedoeld voor gebruik bij omgevingstemperaturen van 10 °C tot 32 °C"
- Gematigd (N): "dit koelapparaat is bedoeld voor gebruik bij omgevingstemperaturen van 16 °C tot 32 °C"
- Subtropisch (ST): "dit koelapparaat is bedoeld voor gebruik bij omgevingstemperaturen van 16 °C tot 38 °C"
- Tropisch (T): "dit koelapparaat is bedoeld voor gebruik bij omgevingstemperaturen van 16 °C tot 43 °C"

BEDIENEN VAN UW WIJN-/DRANKENKOELER EN INSTELLEN VAN DE TEMPERATUURREGELING

➤ Instructie bedieningssysteem



- **Knop “”**
Het apparaat in-/uitschakelen (houd deze knoppen ongeveer 3 seconden ingedrukt).
- **Knop “”**
De binnenverlichting in-/uitschakelen.
- **Knop “”**
De temperatuur van het bovenste compartiment instellen.
- **Knop “”**
De temperatuur van de onderste compartiment instellen.
- **LCD-scherm links**
De temperatuur van de bovenste compartiment instellen.
- **LCD-scherm rechts**
De temperatuur van de onderste compartiment instellen.
- **indicatielampje**
Compressor in bedrijf.

➤ De temperatuurregelingen instellen

- Wanneer u op de knop “” of “” drukt, gaat het systeem automatisch naar de instelmodus voor het bovenste of onderste compartiment. De LED knippert en geeft de ingestelde temperatuur weer.
Druk eenmaal op de knop om de temperatuur met 1°C te verlagen of te verhogen. Bij overschrijding van de in te stellen minimumwaarde zal deze automatisch naar de hoogst instelbare temperatuurwaarde springen. Na 5 seconden op de knop te hebben gedrukt, stopt de LED met knipperen en geeft vervolgens de temperatuur van het bovenste of onderste compartiment weer.
- Nadat de stekker uit het stopcontact is gehaald, keert het systeem terug naar de rusttemperatuur, die in de fabriek is ingesteld. De rusttemperatuur is als volgt:
Bovenste compartiment: 6°C
Onderste compartiment: 12°C
- Als u de ingestelde binnentemperaturen wilt zien, druk dan op de knop "Instellen bovenste compartiment" of "Instelling onderste compartiment". De LED knippert en geeft de ingestelde temperatuur weer. Na 5 seconden op de knop te hebben gedrukt, stopt de LED met knipperen en geeft vervolgens de werkelijke temperatuur weer.
Bovenste compartiment: De temperatuurinstelling kan worden aangepast van 5°C tot 10°C.
Onderste compartiment: De temperatuurinstelling kan worden aangepast van 10°C tot 118°C.

➤ **Temperatuuralarm**

Als de binnentemperatuur hoger is dan 23°C, wordt "HI" weergegeven op het display. Na één uur gaat het alarm / zoemer af. Dit geeft aan dat de binnentemperatuur te hoog is. Als de binnentemperatuur lager is dan 0°C, wordt "LO" weergegeven op het display. Tegelijk worden het alarm en de storingsindicator geactiveerd.

➤ **Functie temperatuurgeheugen**

In het geval van een stroomonderbreking kan de wijnkoeler de vorige temperatuurinstellingen onthouden. Wanneer de stroom wordt hersteld, zal de koelertemperatuur terugkeren naar dezelfde insteltemperatuur als toen de stroom werd onderbroken.

➤ **Binnenverlichting**

Om het energieverbruik te verminderen, schakelt deze wijnkast na 10 minuten automatisch de LED-lampjes uit.

Als u wilt dat het LED-lampje continu blijft branden, is dit mogelijk. Houd de "LAMP"-knop 5 seconden ingedrukt, het display geeft "LP" weer. Na 4 seconden zal het scherm weer normaal worden en zal het licht blijven branden totdat het handmatig wordt uitgeschakeld.

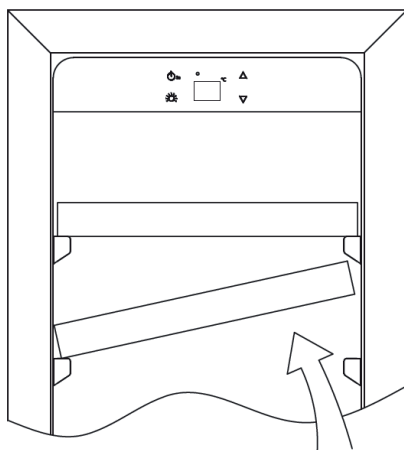
Als u terug wilt keren en energie wilt besparen (aanbevolen), houd dan de "LAMP"-knop 5 seconden ingedrukt; het display geeft "LF" weer. Na 4 seconden zal het scherm weer normaal worden en wordt de verlichting automatisch uitgeschakeld na 10 minuten.

➤ **Schappen**

- Om schade aan de deurpakking te voorkomen, moet u ervoor zorgen dat de deur helemaal open is wanneer u schappen uit het railcompartiment trekt.
- Voor gemakkelijke toegang tot de inhoud moet u de schappen ongeveer 1/3 uit het railcompartiment trekken. Dit apparaat is ontworpen met een inkeping aan beide zijden van de reksteunen om te voorkomen dat flessen vallen.
- Verwijderen van een van deze schappen uit het railcompartiment: om een schap te plaatsen of te verwijderen, kantelt u het schap volgens de afbeelding en trekt u het eruit, of duwt u het schap erin totdat het stevig op de steunbeugels rust

➤ **OPMERKING:**

- Als het apparaat is losgekoppeld, de stroom is uitgevallen of uitgeschakeld, moet u 3 tot 5 minuten wachten voordat u het apparaat opnieuw opstart. Als u voor deze tijdsvertraging probeert opnieuw op te starten, zal de wijnkoeler/drankenkoeler niet starten.
- Wanneer u de wijnkoeler/drankkoeler voor het eerst gebruikt of de wijnkoeler/drankenkoeler opnieuw opstart nadat deze lange tijd uitgeschakeld is geweest, kan er een paar graden verschil zijn tussen de temperatuur die u selecteert en de temperatuur die wordt aangegeven op het LCD-scherm. Dit is normaal en komt door de duur van de activeringstijd. Zodra de wijnkoeler/drankkoeler een paar uur in werking is, is alles weer normaal.



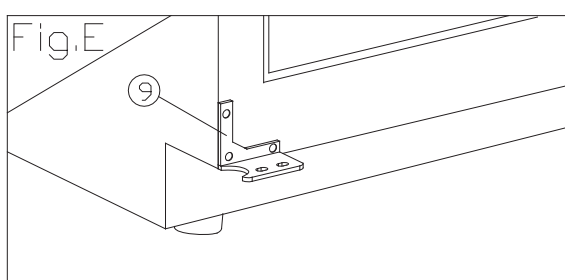
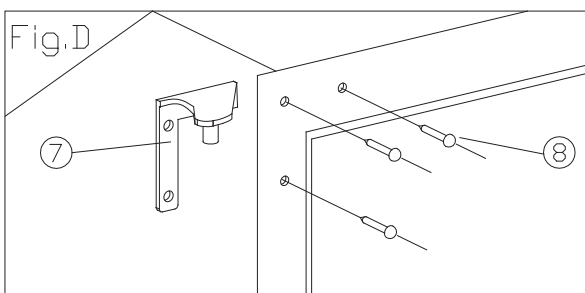
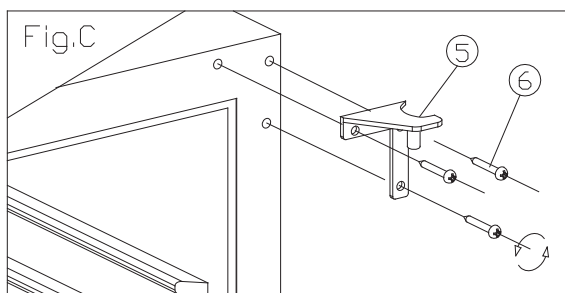
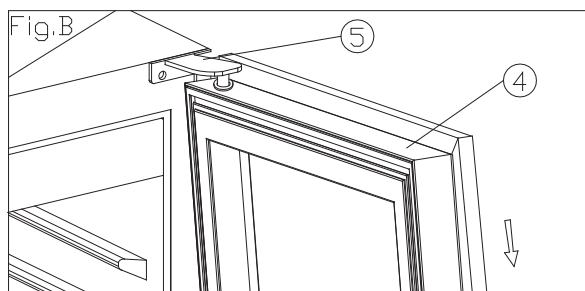
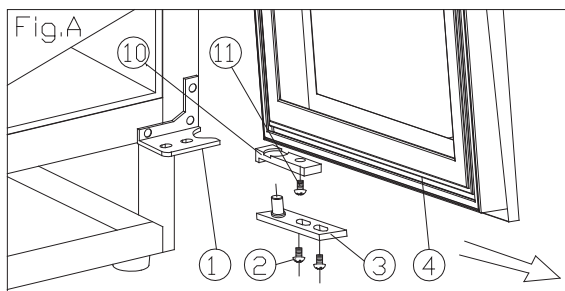
➤ Veranderen van de deuropening

Dit apparaat heeft omkeerbare deuren, maar wordt geleverd met een naar rechts openende deur. De linker scharnierkit wordt meegeleverd met de unit (in de doos), mocht u het scharnier op uw unit willen omdraaien.

Type A (voor volledig glazen / RVS deur)

- | | | |
|--|--------------------------------|------------------------|
| 1. Onderste scharnier (rechts) | 2. Schroeven | 3. Deuras |
| 4. Deur | 5. Bovenste scharnier (rechts) | 6. Scharnierschroeven |
| 7. Bovenste scharnier (links)
scharnier | 8. Plastic doppen | 9. Onderste
(links) |
| 10. Deurbegrenzer | 11. Schroef | |

1. Open de deur onder een hoek van 90 graden, haal de 2 schroeven (2) uit de onderste deuraras (3), verwijder de deur (4), verwijder de asplaat (3) uit de deur (Afb. A).
2. Draai de schroef (11) onder het deurframe en de begrenzer (10) los en plaats deze aan de linkerkant van het deurframe. (Afb. A/B)
3. Haal de 3 scharnierschroeven (6) uit het bovenste scharnier (rechts) (5) en verwijder deze. (Afb. C)
4. Verwijder de siernagel (8) van de linkerbovenkant van de kast en installeer het reservescharnier (links) (7) aan de linkerbovenkant van de kast met 3 schroeven. (Afb. D)
5. Installeer volgens de bovenstaande procedure het onderste reservescharnier aan de linkerkant (9). (Afb. E)
6. Installeer de deur en lijn hem uit.
7. Plaats de plastic doppen om de gaten (8) af te sluiten.



Type B (voor slanke roestvrijstalen deur)

**1 Onderste scharnier
(rechts)**

4 Deur

**7 Bovenste scharnier
(links)**

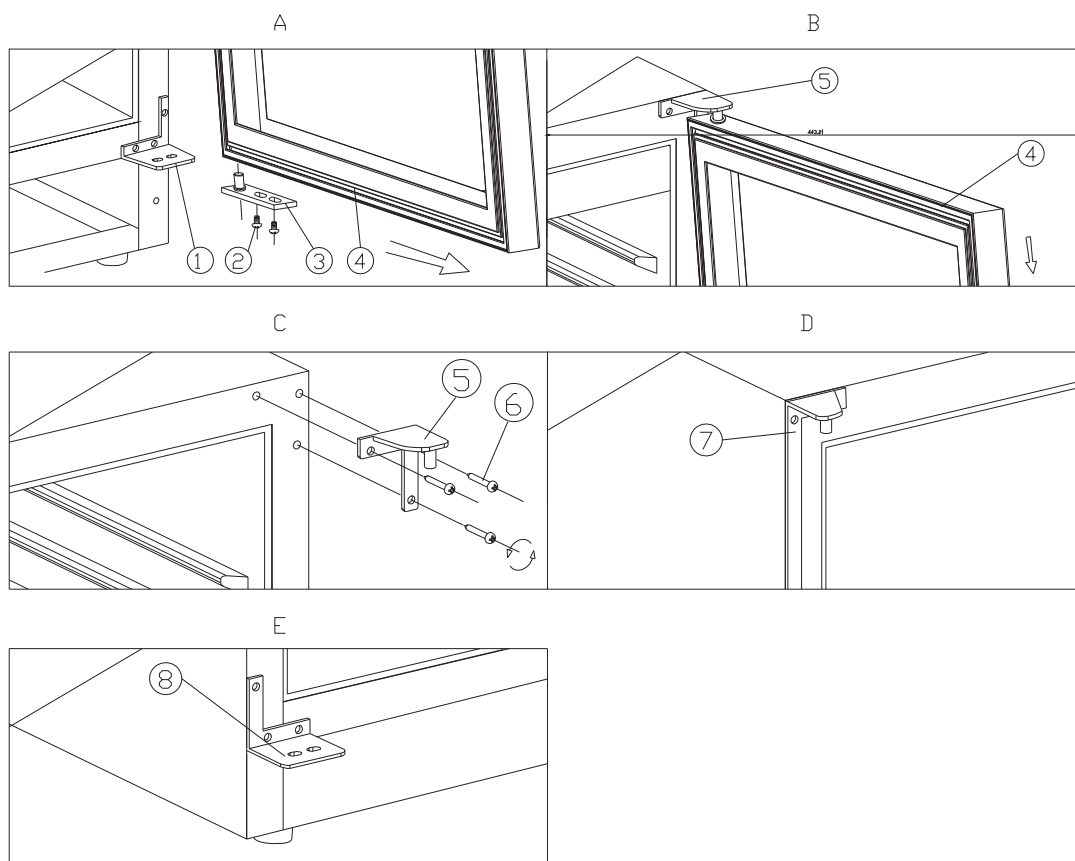
2 Schroeven

**5 Bovenste scharnier
(rechts)**

**8 Onderste scharnier
(links)**

3 Deuras

6 Schroeven

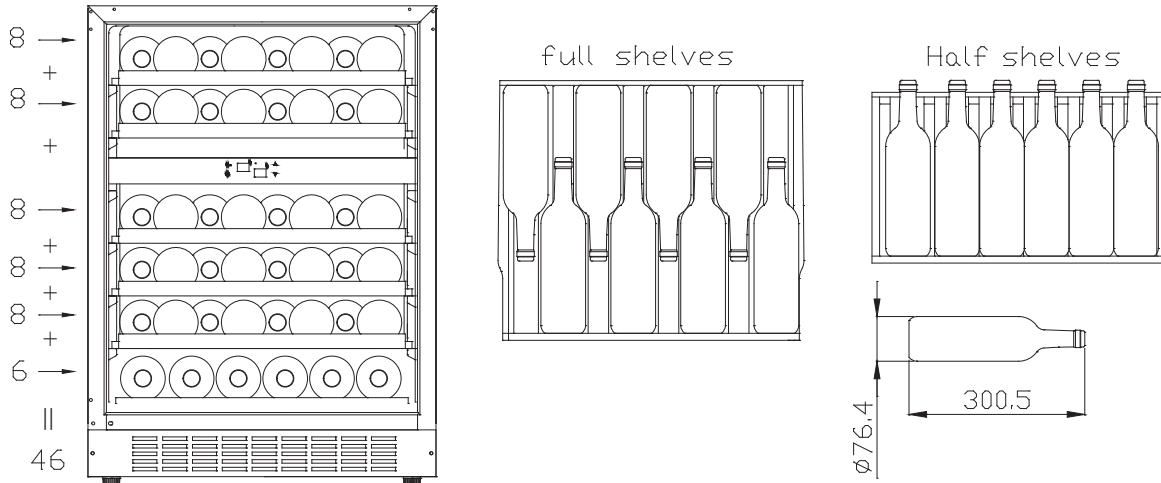


1. Verwijder 2 schroeven (2), trek vervolgens deur (4) in de richting van de pijl en het onderste scharnier (rechts)(1) zoals voor de montage. (Afb.A en Afb.B)
2. Verwijder 3 schroeven (6) van het scharnier rechtsboven en verwijder vervolgens de scharnieren rechtsboven (5) en rechtsonder (1). (Zie afb.C)
3. Gebruik de schroeven die u hebt verwijderd van de scharnieren aan de rechterkant om de scharnieren linksboven en -onder (7) (8) te bevestigen. (Zie Afb.D & Afb.E)
4. Draai de deur 180 graden en monteer de deur door de demontagehandelingen omgekeerd uit te voeren.

➤ **Opslagschema**

Controleer het opslagschema op basis van de configuratie van uw product.

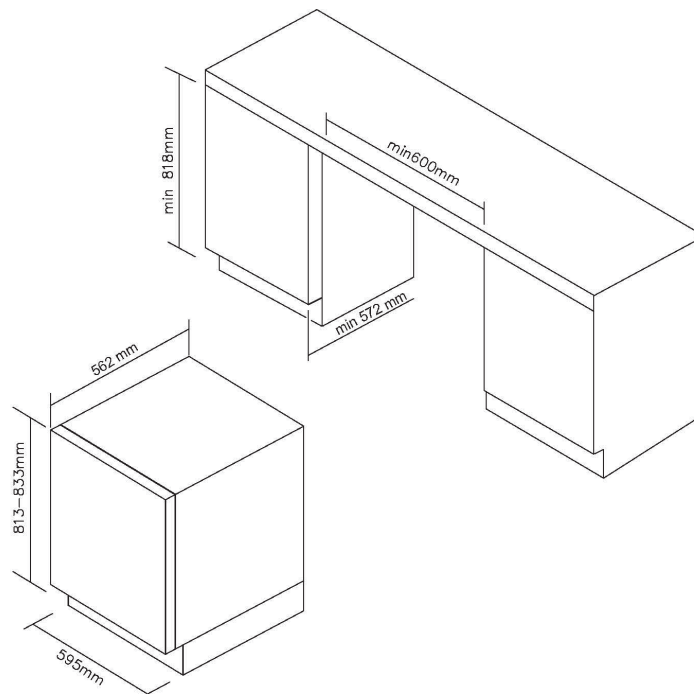
Totaal: 46 flessen (max.)



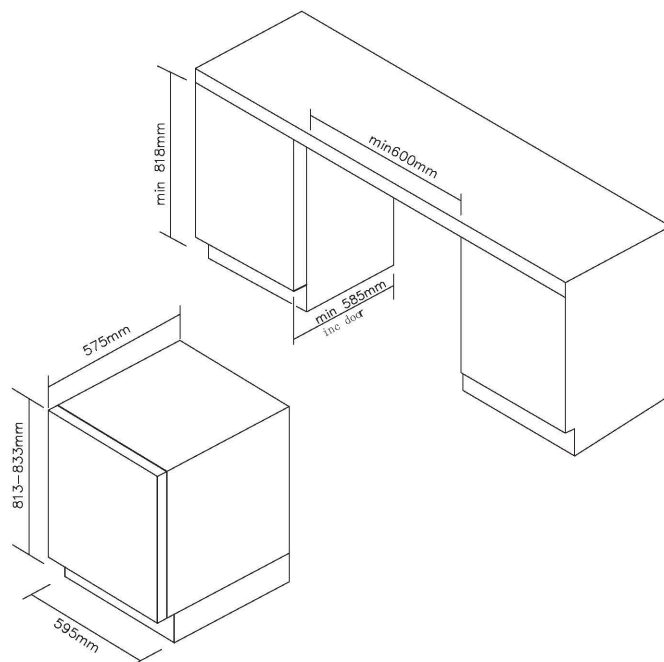
De meest energiebesparende configuratie vereist dat planken in het product worden geplaatst, zie de bovenstaande afbeeldingen.

➤ **Installatiespecificaties voor ingebouwde apparaten**

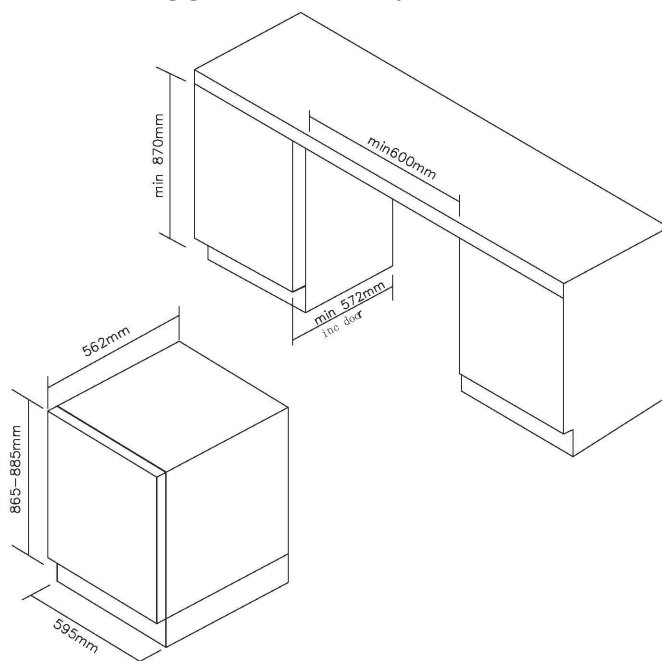
Voor hoogte 813 mm met volledig glazen of roestvrijstalen deur



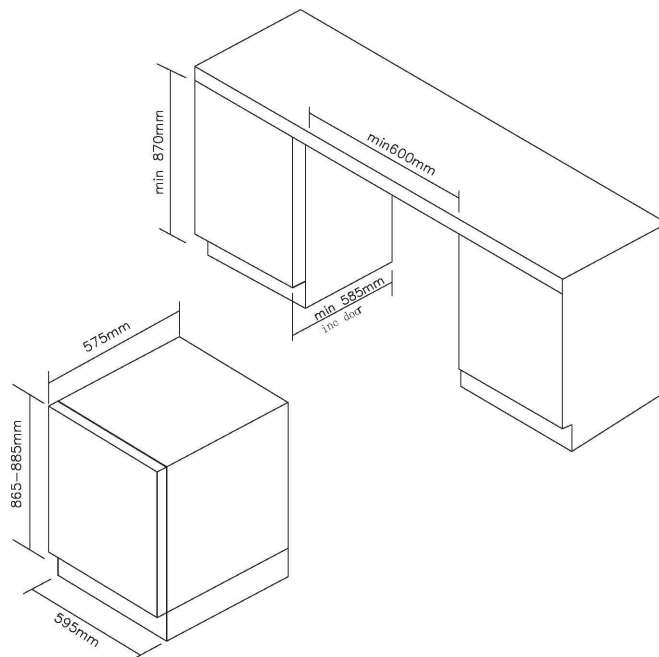
Voor hoogte 813 mm met smalle roestvrijstalen deur



Voor hoogte 865 mm met volledig glazen of roestvrijstalen deur



Voor hoogte 865 mm met smalle roestvrijstalen deur



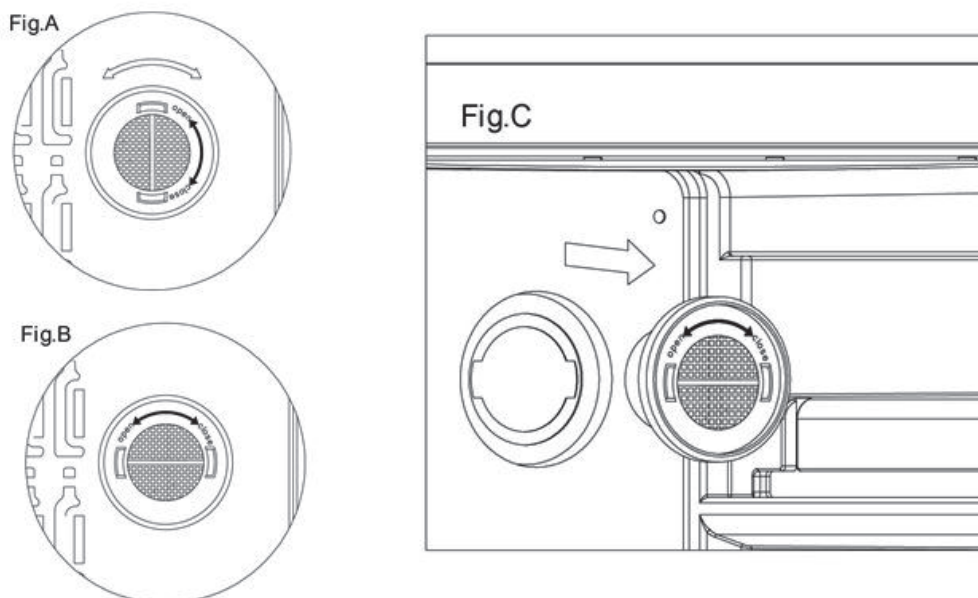
VERZORGING EN ONDERHOUD

➤ Uw wijnkoeler schoonmaken

- Schakel de stroom uit, trek de stekker uit het stopcontact en verwijder alle items, inclusief schappen en rek.
- Was de binnenste oppervlakken met een sopje van warm water en soda. De oplossing moet ongeveer 2 eetlepels soda op een kwart liter water zijn.
- Was de schappen met een mild sopje.
- Wring overtollig water uit de spons of doek bij het reinigen van het gebied van de bedieningselementen of elektrische onderdelen.
- Was de buitenkant van de kast met warm water en mild vloeibaar reinigingsmiddel. Goed afspoelen en droogmaken met een schone zachte doek.

➤ **Het koolfilter vervangen (indien aanwezig in uw apparaat)**

- In de rechterbovenhoek van elke wijnkastzone bevinden zich koolfilters.
- Open de deur en verwijder de bovenste 2 schappen (zie De schappen verwijderen).
- Draai het filter zoals op Afb. A.
- Zoals weergegeven op Afb. B moet het filter op één lijn staan met de inkepingen.
- Trek het filter eruit (Afb C).
- Plaats het vervangingsfilter en draai het zoals op Afb. A om het in positie te vergrendelen.
- Plaats de schappen terug.



➤ **Stroomuitval**

- De meeste stroomstoringen worden binnen enkele uren hersteld en hebben geen invloed op de temperatuur van uw apparaat, als u het aantal keren dat de deur wordt geopend tot een minimum beperkt. Als de stroom voor langere tijd wordt uitgeschakeld, moet u de juiste maatregelen nemen om uw inhoud te beschermen.

➤ **Vakantieperiode**

- **Korte vakanties:** Laat de wijnkoeler ingeschakeld tijdens vakanties van korter dan drie weken.
- **Lange vakanties:** Als het apparaat meerdere maanden niet gebruikt gaat worden, verwijder dan alle items en schakel het apparaat uit. Maak de binnenkant grondig schoon en droog. Om geur- en schimmelgroei te voorkomen, laat u de deur op een kier: blokkeer deze indien nodig.

➤ **De wijnkoeler verplaatsen**

- Verwijder alle items.
- Zet alle losse voorwerpen (schappen) met tape stevig vast in uw apparaat.
- Draai de stelvoet omhoog naar de basis om schade te voorkomen.
- Plak de deur dicht met tape.
- Zorg ervoor dat het apparaat tijdens het transport rechtop blijft staan. Bescherm ook de buitenkant van het apparaat met een deken of iets dergelijks.

➤ **Tips voor energiebesparing**

- De wijnkoeler moet in het koelste gedeelte van de kamer worden geplaatst, uit de buurt van warmteproducerende apparaten en buiten direct zonlicht.

PROBLEMEN MET UW WIJNKOELER/DRANKENKOELER?

U kunt veel voorkomende problemen met wijnkoelers/drankenkoelers gemakkelijk oplossen, waardoor u de kosten van een mogelijk servicebezoek bespaart. Probeer de onderstaande suggesties om te zien of u het probleem kunt oplossen voordat u de servicemonteur belt.

PROBLEMEN OPLOSSEN

PROBLEEM	MOGELIJKE OORZAAK
Wijnkoeler/drankenkoeler werkt niet.	De stekker zit niet in het stopcontact. Het apparaat is uitgeschakeld. De stroomonderbreker is geactiveerd of zekering is gesprongen.
Wijnkoeler/drankenkoeler is niet koud genoeg.	Controleer de temperatuurinstelling. De externe omgeving kan een hogere instelling vereisen. De deur te vaak wordt geopend. De deur is niet volledig gesloten. De pakking van de deur is niet goed afgedicht.
De compressor gaat regelmatig aan en uit.	De kamertemperatuur is warmer dan normaal. Er is een grote hoeveelheid flessen in de wijnkoeler/drankenkoeler geplaatst. De deur te vaak wordt geopend. De deur is niet volledig gesloten. De temperatuurregeling is niet juist ingesteld. De pakking van de deur is niet goed afgedicht.
Het licht functioneert niet.	De stekker zit niet in het stopcontact. De stroomonderbreker is geactiveerd of zekering is gesprongen. De lamp is doorgebrand. De lichtknop is "UIT".
Trillingen.	Controleer of de wijnkoeler/drankenkoeler waterpas staat.
De wijnkoeler/drankenkoeler lijkt te veel lawaai te maken.	Het rammelende geluid kan afkomstig zijn van de stroming van het koelmiddel, dit is normaal. Aan het einde van elke cyclus kunt u gorgelende geluiden horen die worden veroorzaakt door de stroom koudemiddel in uw wijnkoeler/drankenkoeler. Het krimpen en uitzetten van de binnenwanden kan piepende en krakende geluiden veroorzaken. De wijnkoeler/drankenkoeler staat niet waterpas.
De deur sluit niet goed.	De wijnkoeler/drankenkoeler staat niet waterpas. De deur is omgedraaid en niet goed geïnstalleerd. De pakking is vuil. De schappen zitten niet goed op hun plaats.

Ga naar onze website om contact op te nemen met de technische ondersteuning:
<https://corporate.haier-europe.com/en/>. Kies onder de sectie "website" het merk van uw product en uw land. U wordt doorgestuurd naar de specifieke website waar u het telefoonnummer en formulier kunt vinden om contact op te nemen met de technische assistentie

➤ **Beschikbaarheid van reserveonderdelen**

- Thermostaten, temperatuursensoren, printplaten en lichtbronnen, voor een minimumperiode van zeven jaar nadat het laatste exemplaar van het model op de markt is gebracht;
- Deurklinken, deurscharnieren, bladen en manden voor een minimumperiode van zeven jaar en deurafdichtingen voor een minimumperiode van tien jaar, nadat het laatste exemplaar van het model op de markt is gebracht;

Aanbevolen TEMPERATUURINSTELLINGEN

Voor het bewaren VAN ALLE SOORTEN WIJN **12 °C to 14 °C**

Aanbevolen DRINKTEMPERATUUR

Champagne NV, mousserend	6 °C
Vintage champagne	10 °C
Droge witte semillon, sauvignon blanc	8 °C
Droge witte gewürztraminer, riesling	10 °C
Droge witte chardonnay	10 °C
Vintage chardonnay	14 °C
Zoete witte sauternes Monbazillac, "late oogst" ijswijn	10 °C
Zoete witte vintage sauternes	14 °C
Beaujolais	13 °C
Rode pinot noir	16 °C
Rode vintage pinot noir	18 °C
Rode cabernet, merlot, Frans, Australisch, Nieuw-Zeelands, Chileens, Argentijns, Italiaans, Spaans, Californisch	18 °C
Rode Grenache, Syrah	16 °C

Voor meer informatie over het product, raadpleeg <https://eprel.ec.europa.eu/> of scan de QR-code op het energielabel dat bij het apparaat is geleverd

Polskie

Dziękujemy za zakup tego produktu.

Przed użyciem swojej lodówki zapoznaj się uważnie z niniejszą instrukcją obsługi, aby zapewnić jej jak najlepsze działanie. Zachowaj całą dokumentację w razie potrzeby użycia jej w przyszłości lub dla kolejnych właścicieli. Produkt ten przeznaczony jest wyłącznie do użytku domowego lub podobnych zastosowań, na przykład:

- w strefie kuchennej dla personelu w sklepach, biurach oraz innych środowiskach roboczych;
- w gospodarstwach rolnych, hotelach, motelach oraz innych środowiskach typu mieszkalnego;
- w pensjonatach typu B&B;
- w ramach usług cateringowych i podobnych zastosowań niezwiązanych ze sprzedażą detaliczną.

Urządzenia tego należy używać wyłącznie do przechowywania żywności. Wszelkie inne zastosowania uważane są za niebezpieczne i producent nie będzie ponosił odpowiedzialności za jakiegokolwiek zaniedbania. Należy również mieć na uwadze warunki gwarancji.

INFORMACJE DOTYCZĄCE BEZPIECZEŃSTWA

Prosimy o uważne przeczytanie instrukcji obsługi i montażu! Zawierają one ważne informacje dotyczące instalacji, użytkowania i konserwacji urządzenia. Producent nie ponosi odpowiedzialności w przypadku nieprzestrzegania instrukcji i ostrzeżeń. Całą dokumentację należy zachować w celu skorzystania z niej w przyszłości lub dla kolejnych właścicieli.

- **Nie należy podłączać urządzenia do zasilania, dopóki wszystkie opakowania oraz elementy zabezpieczające podczas transportu nie zostaną usunięte. Należy trzymać dzieci z dala od opakowania i jego części. Niebezpieczeństwo uduszenia przez składane kartony i plastikową folię!**
- **Pozostawić urządzenie stojące przed uruchomieniem przez co najmniej 4 godziny, aby pozwolić olejowi w sprężarce ustabilizować się, jeśli urządzenie było transportowane w poziomie**
- **Po dostarczeniu produktu należy się upewnić, że nie jest on uszkodzony i że wszystkie jego części oraz akcesoria są w doskonałym stanie**
- **Nie dopuścić do uszkodzenia obwodu czynnika chłodniczego**
- **Nie zasłaniać otworów wentylacyjnych w obudowie urządzenia lub w szafce, w której je zabudowano**
- **Nigdy nie używać bezpośrednio wody do czyszczenia sprężarki, przetrzeć dokładnie suchą szmatką po wyczyszczeniu, aby uniknąć kurzu**
- **Zawsze przenoś urządzenie z pomocą co najmniej dwóch osób, ponieważ jest ono ciężkie.**
- **Zainstaluj i wypoziomuj urządzenie w miejscu odpowiednim dla jego wielkości i przeznaczenia.**
- **Upewnij się, że informacje dotyczące elektryki na tabliczce znamionowej są zgodne z parametrami zasilania. Jeśli tak nie jest, skontaktuj się z elektrykiem.**
- **Urządzenie jest zasilane prądem 220–240 V/50 Hz. Odbiegające od normy wahania napięcia mogą spowodować niewłączenie się urządzenia albo uszkodzenie regulatora temperatury lub sprężarki. Mogą też być przyczyną nietypowego hałasu podczas pracy. W**

takim przypadku powinien zostać zamontowany automatyczny regulator.

- Tylko dla Wielkiej Brytanii: Kabel zasilający urządzenie jest wyposażony we wtyczki z 3 bolcami (z uziemieniem), która pasuje do standardowego gniazda z 3 przewodami (z uziemieniem). Nigdy nie odcinaj ani nie wyjmuj trzeciego bolca (z uziemieniem). Po zainstalowaniu urządzenia powinien być dostęp do wtyczki.
- Upewnić się, że kabel zasilania sieciowego nie jest przytrzaśnięty pod urządzeniem podczas przenoszenia go lub po tego typu czynności, aby uniknąć przecięcia go lub uszkodzenia. W razie uszkodzenia przewodu zasilającego powinien on zostać wymieniony przez producenta, jego serwisanta lub inną wykwalifikowaną osobę, aby uniknąć zagrożenia
- Nie instalować urządzenia w wilgotnych, oleistych lub zakurzonych pomieszczeniach ani nie narażać go na bezpośrednie promienie słoneczne lub wodę
- Nie instalować urządzenia w pobliżu grzejników lub materiałów łatwopalnych
- DLA urządzeń z zamrażalnikiem: w przypadku awarii zasilania nie otwierać pokrywy. Zamrożona żywność nie powinna się zepsuć, jeśli awaria trwa krócej niż godziny wskazane na etykiecie (czas wzrostu temperatury). W przypadku dłuższych awarii żywność należy sprawdzić i niezwłocznie spożyć lub ugotować i ponownie zamrozić.
- Utrudnione otwieranie pokrywy urządzenia zaraz po jej zamknięciu nie świadczy o awarii. Przyczyną jest różnica ciśnień, która po kilku minutach powinna się wyrównać, umożliwiając normalne otwarcie urządzenia.
- Nie przechowuj w urządzeniu leków, bakterii lub substancji chemicznych. To urządzenie służy do użytku domowego, nie zaleca się przechowywania materiałów, które wymagają ściśle określonej temperatury.
- Nie dociskać nadmiernie ani nie zginać przewodu zasilającego i nie dotykać wtyczki mokrymi dłońmi
- Nie przechowywać w urządzeniu produktów zawierających łatwopalny gaz napędowy (np. puszki z aerozolem) lub substancji wybuchowych. Ryzyko wybuchu!
- Na lodówce nie należy umieszczać niestabilnych przedmiotów (ciężkich przedmiotów, pojemników wypełnionych wodą), aby uniknąć obrażeń ciała spowodowanych upadkiem lub porażeniem prądem elektrycznym w wyniku kontaktu z wodą.

- Nie używać urządzeń elektrycznych wewnątrz komór urządzenia do przechowywania żywności, o ile nie są to urządzenia zalecane przez producenta
- Nie dotykać wewnętrznych elementów chłodzących, zwłaszcza mokrymi rękoma, aby uniknąć uszkodzeń lub obrażeń
- Zagrożone są tutaj dzieci, osoby o ograniczonych zdolnościach fizycznych, umysłowych lub sensorycznych, a także osoby, które nie posiadają wystarczającej wiedzy na temat bezpiecznej obsługi urządzenia. Upewnij się, czy dzieci i osoby narażone na uraz zrozumiały zagrożenia. Osoba odpowiedzialna za bezpieczeństwo musi nadzorować lub poinstruować dzieci i osoby narażone na uraz, które obsługują urządzenie. Z urządzenia mogą korzystać dzieci w wieku od 8 lat.
- Nie należy zezwalać dzieciom na zabawę z urządzeniem
- Dzieci w wieku od 3 do 8 lat mogą wkładać produkty do tego urządzenia lub je z niego wyjmować
- W PRZYPADKU urządzeń z zamrażalnikiem: nie przechowuj płynów butelkowanych lub konserwowanych (zwłaszcza napojów gazowanych) w zamrażarce. Butelki i puszki mogą pęknąć!
- W PRZYPADKU urządzeń z zamrażalnikiem: nigdy nie spożywaj mrożonek bezpośrednio wyciągniętych prosto z zamrażalnika. Ryzyko poparzenia niskotemperaturowego!
- Chronić plastikowe części i uszczelkę drzwi przed olejem i smarem. W przeciwnym razie plastikowe części i uszczelka drzwi staną się porowate.
- Przed wykonaniem jakiegokolwiek czynności odłączyć kabel zasilający od gniazdka zasilającego
- Nie używać urządzeń mechanicznych ani innych środków do przyspieszania procesu rozmrażania, o ile nie są one zalecane przez producenta
- Nie używać ostrych lub szpiczastych przedmiotów, takich jak noże lub widelce, do usuwania szronu. Nigdy nie używać do rozmrażania suszarek do włosów, grzałek elektrycznych lub innych urządzeń elektrycznych
- Zaleca się utrzymywać wtyczkę w czystości. Wszelkie nadmierne pozostałości kurzu na wtyczce mogą spowodować pożar
- Nie należy próbować samodzielnie naprawiać, demontować ani modyfikować urządzenia. W przypadku konieczności naprawy prosimy o kontakt z naszym działem obsługi klienta.
- Nadzoruj dzieci podczas czyszczenia lub konserwacji urządzenia.
- Nie czyść zimnych szklanych półek gorącą wodą. Nagła zmiana temperatury może spowodować pęknięcie szkła.

- **OSTRZEŻENIE:** Rury obwodu chłodniczego przenoszą niewielką ilość przyjaznego dla środowiska, ale łatwopalnego czynnika chłodniczego (R600a) i gazu izolacyjnego (cyklopentan). Nie niszczy warstwy ozonowej i nie zwiększa efektu cieplarnianego. Wyciek czynnika chłodniczego może spowodować obrażenia oczu lub zapalenie się.
- **W razie uszkodzenia obwodu czynnika chłodniczego:**
 - Wyłącz urządzenie i wyciągnij wtyczkę z gniazdka,
 - Trzymaj otwarty ogień i/lub źródła zapłonu z dala od urządzenia,
 - Dokładnie przewietrz pomieszczenie przez kilka minut,
 - Poinformuj obsługę klienta.
- **OSTRZEŻENIE:** Nie uszkodź wtyczki ani przewodu zasilającego, ponieważ może to spowodować porażenie elektryczne lub pożar.
- **OSTRZEŻENIE:** Nie używaj wielu przenośnych gniazdek ani przenośnych zasilaczy. Odradzamy korzystanie z przedłużaczy i rozgałęźników.
- Nie próbuj siadać ani stawać na górze urządzenia. Grozi to urazami lub uszkodzeniem urządzenia. Urządzenie nie jest przystosowane do ustawiania jedno na drugim razem z innymi.
- Produkt ten jest projektowany i produkowany wyłącznie z myślą o użytku domowym
- Wolno używać tylko oryginalnych części dostarczonych przez producenta. Producent gwarantuje, że tylko te części spełniają wymogi bezpieczeństwa.
- Pozostawienie na dłużej otwartych drzwiczek może spowodować wzrost temperatury w komorach urządzenia
- Czyścić regularnie powierzchnie, które mogą mieć kontakt z żywnością i dostępnymi systemami odprowadzania wody
- Wyczyścić zbiorniki na wodę, jeśli nie były one używane przez 48 godzin; przepłukać system wodny podłączony do zasilania urządzenia, jeśli woda nie była pobierana przez 5 dni
- Umieszczać surowe mięso i ryby w odpowiednich pojemnikach w chłodziarce, aby nie miały one kontaktu z inną żywnością ani nie skapywały na nią żadne płyny
- Szuflady na zamrożoną żywność oznaczone dwoma gwiazdkami (o ile znajdują się one w urządzeniu) przeznaczone są do przechowywania wstępnie zamrożonej żywności, przechowywania lub wytwarzania lodów i kostek lodu
- Szuflady z jedną, dwoma lub trzema gwiazdkami (o ile znajdują się one w urządzeniu) nie nadają się do zamrażania świeżej żywności
- Jeśli urządzenie zostanie pozostawione puste przez dłuższy czas, należy je wyłączyć, rozmrozić, wyczyścić, wysuszyć i pozostawić drzwiczki otwarte, aby uniknąć rozwoju w urządzeniu pleśni

- **W przypadku urządzeń do przechowywania wina: Urządzenie przeznaczone wyłącznie do przechowywania wina**
- **W przypadku urządzenia wolnostojącego zamieszcza się ostrzeżenie: To urządzenie chłodnicze nie jest przeznaczone do użytku jako urządzenie do zabudowy**
- **W przypadku urządzeń bez komory czterogwiazdkowej: To urządzenie chłodnicze nie jest odpowiednie na potrzeby zamrażania środków spożywczych**

Usuwanie starych urządzeń



Urządzenie to posiada oznaczenie zgodne z dyrektywą europejską 2012/19/UE w sprawie zużytego sprzętu elektrycznego i elektronicznego (WEEE).

WEEE zawiera zarówno substancje zanieczyszczające (które mogą powodować negatywne skutki dla środowiska), jak i podstawowe komponenty (które mogą zostać ponownie użyte). Ważne jest poddawanie WEEE specyficznej obróbce, aby usuwać i prawidłowo utylizować wszelkie elementy zanieczyszczające, a także odzyskiwać i poddawać recyklingowi wszelkie możliwe materiały.

Ludzie mogą odgrywać ważną rolę w zapewnianiu, że WEEE nie stanie się problemem środowiskowym; ważne jest przestrzeganie pewnych podstawowych zasad:

- WEEE nie powinien być traktowany tak samo jak inne odpady domowe;
- WEEE powinien być przekazywany do właściwych punktów zbiórki odpadów obsługiwanych przez gminę lub zarejestrowane przedsiębiorstwa. W wielu krajach w przypadku dużych WEEE może być przewidziany odbiór bezpośrednio z posesji.

W wielu krajach, kiedy kupuje się nowe urządzenie, stare urządzenie można zwrócić sprzedawcy, który odbierze je za darmo na zasadzie „urządzenie za urządzenie”, pod warunkiem, że urządzenie jest odpowiedniego typu i posiada te same funkcje co nowy dostarczony sprzęt.

Zgodność

Poprzez umieszczenie oznaczenia **CE** na tym produkcie potwierdzamy, że urządzenie to jest zgodne ze wszelkimi dotyczącymi tego produktu obowiązującymi prawnie wymogami europejskimi w zakresie bezpieczeństwa, zdrowia i środowiska.

Gwarancji

Minimalny okres gwarancji: Kraje UE – 2 lata, Turcja – 3 lata, Wielka Brytania – rok, Rosja – rok, Szwecja – 3 lata, Serbia – 2 lata, Norwegia – 5 lat, Maroko – rok, Algieria – 6 miesięcy, Tunezja – gwarancja prawna nie jest wymagana

Oszczędzanie energii

Aby zapewnić wyższą oszczędność energii, sugerujemy:

- zainstalować urządzenie z dala od źródeł ciepła i nie wystawiać go na bezpośrednie działanie promieni słonecznych, w dobrze wentylowanym pomieszczeniu;
- unikać umieszczania w chłodziarce gorącej żywności, aby zapobiec wzrostowi temperatury zewnętrznej, a tym samym powodowaniu ciągłego działania sprężarki;
- nie wkładać nadmiernej ilości żywności, aby zapewnić prawidłową cyrkulację;
- rozmrozić urządzenie w razie pojawienia się w nim lodu w celu ułatwienia przenikania zimna;
- w razie braku energii elektrycznej zaleca się pozostawić drzwiczki chłodziarki zamknięte;
- jak najrzadziej otwierać drzwiczki urządzenia i jak najkrócej pozostawiać je otwarte;
- unikać ustawiania zbyt niskich temperatur;
- usuwać kurz z tylnej części urządzenia.

Wymienne (tylko LED) źródło światła możliwe tylko przez profesjonalistę
Ten produkt zawiera źródło światła o klasie efektywności energetycznej G.

INSTRUKCJA INSTALACJI

➤ Przed użyciem chłodziarki do wina

- Wyjąć uszczelkę zewnętrzną i wewnętrzną.
- Przed podłączeniem chłodziarki do wina do źródła zasilania należy pozostawić ją w pozycji pionowej na około 2 godziny. Zmniejszy to ryzyko nieprawidłowego działania układu chłodzenia w wyniku przenoszenia urządzenia podczas transportu.
- Oczyszczyć powierzchnię wnętrza letnią wodą za pomocą miękkiej ściereczki.
- Podczas utylizacji urządzenia należy wybrać miejsce utylizacji posiadające odpowiednie uprawnienia.

➤ Instalacja chłodziarki do wina

- Urządzenie to przeznaczone jest do instalacji wolnostojącej lub do zabudowy (pełnej) (patrz umiejscowienie naklejek na tylnej części urządzenia).
- **Urządzenie to jest przeznaczone wyłącznie do przechowywania wina lub innych napojów.**
- Ustawić chłodziarkę do wina na wystarczająco mocnej na podłodze, aby utrzymać ją po pełnym załadunku urządzenia. Aby wypoziomować chłodziarkę do wina, należy wyregulować przednią nóżkę poziomującą w dolnej części urządzenia.
- W urządzeniu tym zastosowano łatwopalny czynnik chłodzący. Należy uważać, aby nie uszkodzić rurek układu chłodzenia podczas transportu. Chłodziarkę do wina należy ustawić z dala od bezpośredniego światła słonecznego i źródeł ciepła (kuchenka, grzejnik itp.). Bezpośrednie działanie promieni słonecznych może wpływać na powłokę akrylową, a źródła ciepła mogą powodować wzrost zużycia energii elektrycznej. Ekstremalnie niskie temperatury otoczenia mogą również być przyczyną nieprawidłowego działania urządzenia.
- Unikać umieszczania urządzenia w miejscach o dużej wilgotności.
- Podłączyć chłodziarkę do przeznaczonego tylko na nią, odpowiednio uziemionego gniazdka ściennego. W żadnym wypadku nie należy przecinać ani usuwać z przewodu zasilającego trzeciego bolca uziemiającego. Wszelkie pytania dotyczące zasilania i uziemienia należy kierować do upoważnionego elektryka lub autoryzowanego centrum serwisowania produktów.

➤ Uwaga:

- Wino należy przechowywać w zamkniętych butelkach;
- Nie przeciążać obudowy;
- Nie otwierać drzwiczek, gdy nie jest to konieczne;
- Nie przykrywać półek folią aluminiową lub jakimkolwiek innym materiałem, który może uniemożliwić cyrkulację powietrza;
- Jeśli chłodziarka do wina nie będzie używana przez dłuższy czas, zaleca się, aby po starannym wyczyszczeniu jej pozostawić drzwiczki uchylone, aby umożliwić cyrkulację powietrza wewnątrz obudowy w celu uniknięcia powstawania skroplin, pleśni lub nieprzyjemnych zapachów.

➤ Ograniczenia związane z temperaturą otoczenia





Urządzenie to jest przystosowane do pracy w temperaturach otoczenia przewidzianych przez klasę temperatury podaną na tabliczce znamionowej.

- Rozszerzona umiarkowana (SN): dodaje się ostrzeżenie: „Urządzenie chłodnicze jest przeznaczone do użytku w temperaturze otoczenia mieszczącej się w zakresie od 10 °C do 32 °C”
- Umiarkowana: dodaje się ostrzeżenie (N): „Urządzenie chłodnicze jest przeznaczone do użytku w temperaturze otoczenia mieszczącej się w zakresie od 16 °C do 32 °C”
- Subtropikalna: dodaje się ostrzeżenie (ST): „Urządzenie chłodnicze jest przeznaczone do użytku w temperaturze otoczenia mieszczącej się w zakresie od 16 °C do 38 °C”
- Tropikalna: dodaje się ostrzeżenie (T): „Urządzenie chłodnicze jest przeznaczone do użytku w temperaturze otoczenia mieszczącej się w zakresie od 16 °C do 43 °C”



OBSŁUGA CHŁODZIARKI DO WINA/CHŁODZIARKI DO NAPOJÓW I USTAWIANIE TEMPERATURY

➤ Instrukcja systemu sterowania



- **Przycisk „”**
Aby sterować włączaniem/wyłączaniem tego urządzenia (naciśnąć i przytrzymać te przyciski na około 3 sekundy).
- **Przycisk „”**
Aby sterować włączaniem/wyłączaniem oświetlenia wewnętrznego.
- **Przycisk „”**
Ustawianie temperatury górnej komory.
- **Przycisk „”**
Ustawianie temperatury dolnej komory.
- **Okno wyświetlacza LED po lewej stronie**
Ustawianie temperatury górnej komory.
- **Okno wyświetlacza LED po prawej stronie**
Ustawianie temperatury dolnej komory.
- **wskaźnik świetlny**
Sprężarka na wyświetlaczu.

➤ Ustawianie temperatury

- Po naciśnięciu przycisku „” lub „” system automatycznie wejdzie w tryb konfiguracji w górnej lub dolnej komorze. Dioda miga i wyświetlana jest ustawiona temperatura. Naciśnięcie przycisku spowoduje obniżenie lub zwiększenie temperatury o 1°C. Po przekroczeniu minimalnej wartości, jaką można określić, nastąpi automatyczne przejście do najwyższej możliwej do wyregulowania wartości temperatury. Po zwolnieniu przycisku po 5 sekundach dioda przestanie migać, i na wyświetlaczu będzie ponownie wyświetlana temperatura w górnej i dolnej komorze.
- Po odłączeniu urządzenia system powróci do temperatury domyślnej, ustawionej fabrycznie. Odpowiednia temperatura powinna wynosić:
Górna komora: 6°C
Dolna komora: 12°C
- Jeśli zamierza się wyświetlić każdą ustawioną temperaturę wewnętrzną, należy naciśnąć przycisk ustawiania wyższej temperatury lub przycisk ustawiania niższej temperatury, a dioda zacznie migać i wyświetli ustawioną temperaturę. Po zwolnieniu przycisku po 5 sekundach dioda przestanie migać i na wyświetlaczu ponownie pojawi się rzeczywista temperatura.
Górna komora: Ustawienie temperatury można regulować w zakresie od 5°C do 10°C.
Dolna komora: Ustawienie temperatury można regulować w zakresie od 10°C do 18°C.

➤ **Alarm o temperaturze**

Jeśli temperatura w urządzeniu jest wyższa niż 23°C, na wyświetlaczu pojawi się wskazanie „HI” i po godzinie zostanie wyemitowany sygnał alarmowy/ wygenerowany alarm. Oznacza to, że temperatura wewnątrz urządzenia jest zbyt wysoka. Jeśli temperatura wewnętrzna jest niższa niż 0°C, na wyświetlaczu pojawi się wskazanie „LO” i poza alarmem pojawi się również lampka sygnalizacyjna awarii

➤ **Funkcja przywracania temperatury**

W przypadku przerwy w zasilaniu chłodziarka do wina może zapamiętać poprzednie ustawienia temperatury, a gdy zasilanie zostanie przywrócone, temperatura urządzenia powróci do tej, jaka była ustawiona przed wyłączeniem zasilania.

➤ **Oświetlenie wewnętrzne**

Aby zmniejszyć zużycie energii, niniejsza chłodziarka do wina automatycznie wyłączy oświetlenie LED po 10 minutach.

Jeśli oświetlenie LED ma świecić stale, jest to możliwe. Należy nacisnąć i przytrzymać przycisk oświetlenia przez 5 sekund, a na wyświetlaczu pojawi się wskazanie „LP”. Po 4 sekundach wyświetlacz powróci do normalnego stanu, a oświetlenie pozostanie włączone aż do ręcznego wyłączenia go.

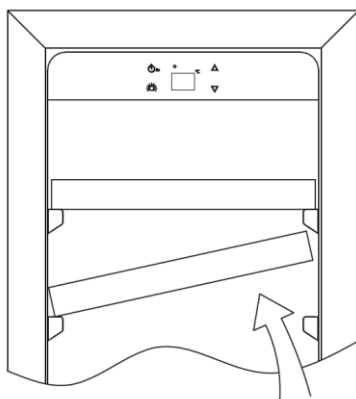
Jeśli zamierza się powrócić do trybu oszczędzania energii (zalecanego), należy nacisnąć i przytrzymać przycisk oświetlenia przez 5 sekund, a na wyświetlaczu pojawi się wskazanie „LF”. Po 4 sekundach wyświetlacz powróci do normalnego stanu, a oświetlenie wyłączy się automatycznie po 10 minutach.

➤ **Półki**

- Aby zapobiec uszkodzeniu uszczelki drzwiczek, należy upewnić się, że drzwiczki są całkowicie otwarte podczas wyjmowania półek z szyn.
- Aby ułatwić dostęp do zawartości urządzenia, należy wysunąć półki z komory do mniej więcej 1/3, choć urządzenie to zaprojektowano ze specjalnym nacięciem po obu stronach szyn, aby zapobiec wypadnięciu butelek.
- Podczas wyjmowania którejkolwiek z tych półek z szyn, aby zamontować lub wyjąć półkę, należy odchylić półkę zgodnie ze schematem i po prostu wyciągnąć lub wcisnąć półkę, aż bezpiecznie osiadzie na wspornikach.

➤ **UWAGA:**

- Jeśli urządzenie zostanie odłączone od zasilania, nastąpi przerwa w dostawie zasilania lub zostanie ono wyłączone, przed ponownym uruchomieniem urządzenia należy odczekać od 3 do 5 minut. W przypadku próby ponownego uruchomienia przed przewidzianym czasem opóźnieniem chłodziarka do wina/chłodziarka do napojów nie zostanie uruchomiona.
- Przy pierwszym użyciu chłodziarki do wina/chłodziarki do napojów lub ponownym uruchomieniu chłodziarki do wina/chłodziarki do napojów po długim czasie odłączenia jej może wystąpić kilka stopni rozbieżności między wybraną temperaturą a temperaturą wskazaną na wyświetlaczu LED. Jest to normalne i wynika to z długości czasu aktywacji. Gdy chłodziarka do wina/chłodziarka do napojów będzie działać przez kilka godzin, wszystko wróci do normy.



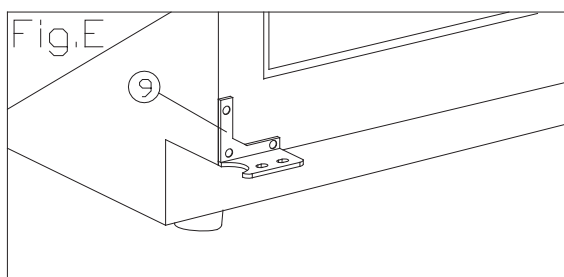
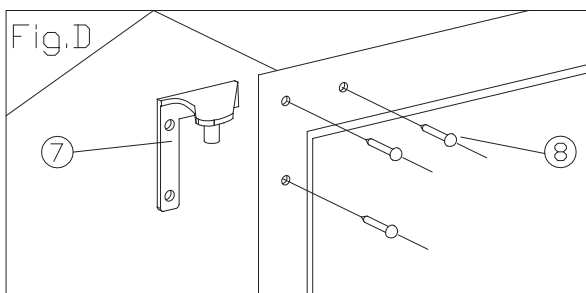
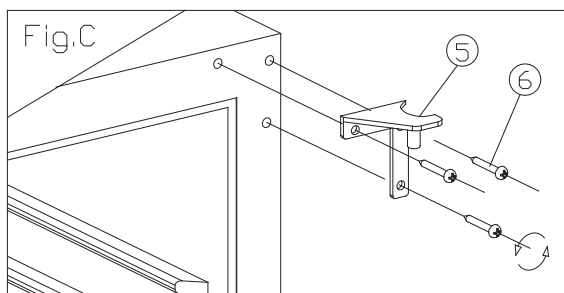
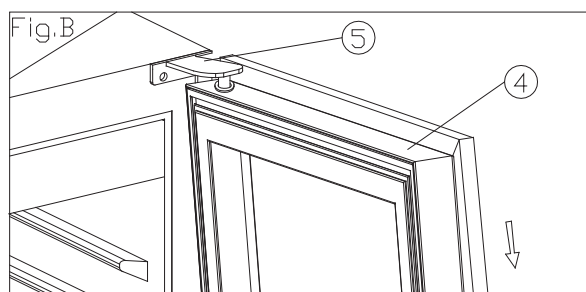
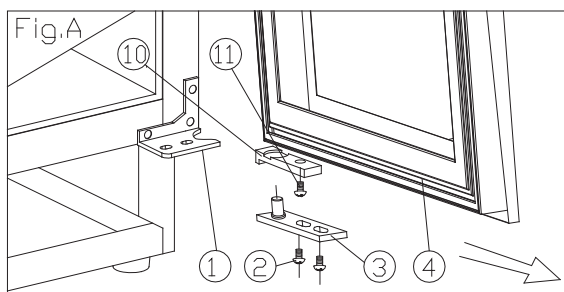
➤ Jak zmienić sposób otwierania się drzwiczek

Urządzenie posiada odwracalne drzwiczki, ale jest dostarczane z drzwiczkami zamontowanymi na prawych zawiasach. Zestaw lewych zawiasów jest dostarczany wraz z urządzeniem (w opakowaniu), gdyby użytkownik zamierzał zmienić sposób otwierania się drzwiczek.

Typ A (do drzwi w całości przeszklonych / ze stali nierdzewnej)

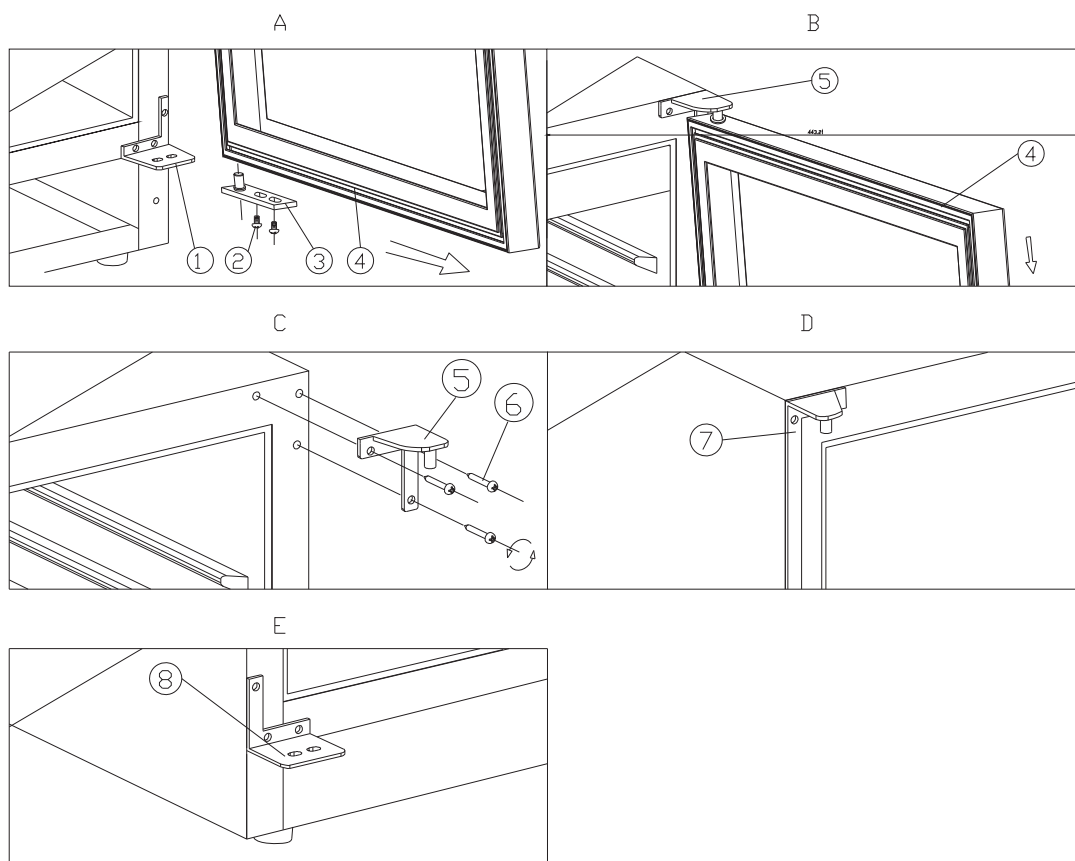
- | | | |
|--------------------------------|--------------------------------|-------------------------------|
| 1. Zawias dolny (strona prawa) | 2. Śruby | 3. Oś drzwiczek |
| 4. Drzwiczki | 5. Zawias górny (strona prawa) | 6. Śruby zawiasu |
| 7. Zawias górny (strona lewa) | 8. Zaślepka otworu | 9. Zawias dolny (strona lewa) |
| 10. Ogranicznik drzwiczek | 11. Śruba | |

1. Otworzyć drzwiczki pod kątem 90 stopni, wyjąć 2 śruby (2) z dolnej osi drzwiczek (3), wyjąć drzwiczki (4), wyjąć płytkę osi (3) z drzwiczek (Rys. A).
2. Odkręcić śrubę (11) znajdującą się pod ramą drzwiczek i ogranicznik (10), i umieść go po lewej stronie ramy drzwiczek. (Rys. A/B)
3. Odkręcić 3 śruby zawiasu (6) górnego (prawego) (5) i wyjąć go. (Rys. C)
4. Wyjąć koteł ozdobny (8) z lewej górnej części obudowy i zamontować zapasowy zawias górny (lewy) (7) w lewej górnej części obudowy, za pomocą 3 śrub. (Rys. D)
5. Postępując zgodnie z powyższą procedurą, zamontować zapasowy dolny zawias po lewej stronie (9). (Rys. E)
6. Zamontować i wyrównać drzwiczki.
7. Włożyć plastikowe zaślepki, aby zakryć otwory (8).



Typ B (do wąskich drzwi ze stali nierdzewnej)

- | | | |
|------------------------|------------------------|----------------|
| 1 Zawias dolny (prawy) | 2 Śruby | 3 Oś drzwiczek |
| 4 Drzwiczki | 5 Zawias górny (prawy) | 6 Śruby |
| 7 Zawias górny (lewy) | 8 Zawias dolny (lewy) | |

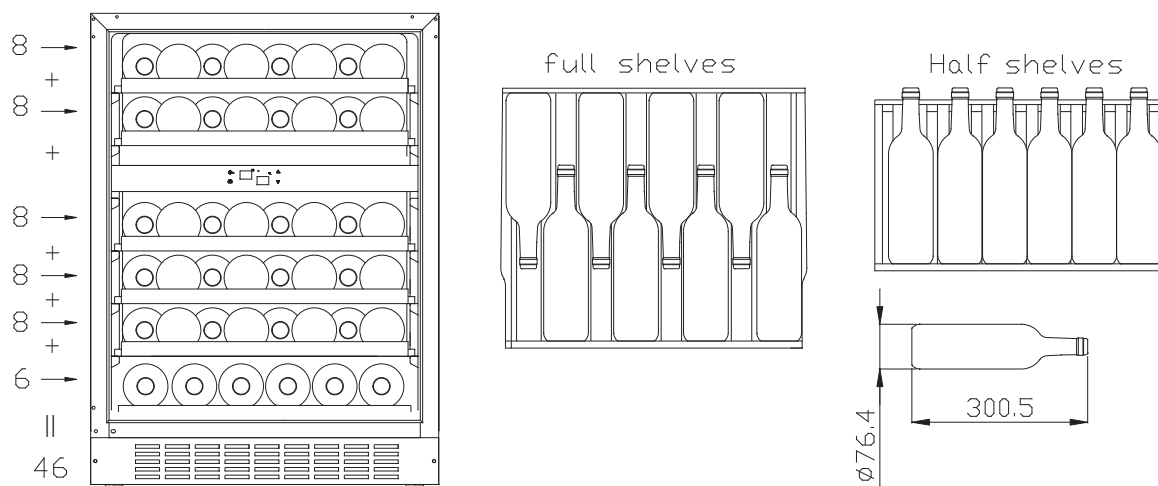


1. Wykręcić 2 śruby (2), a następnie pociągnąć drzwiczki (4) zgodnie z kierunkiem grota strzałki i dolny zawias (prawy) (1) również do montażu. (Rys. A i Rys. B)
2. Wykręcić 3 śruby (6) prawego górnego zawiasu, a następnie wyjąć prawy górny (5) i prawy dolny zawias (1). (Patrz Rys. C)
3. Użyć śrub wyjętych z prawych zawiasów bocznych, aby zamocować zawiasy lewe górne i dolne (7) (8). (Patrz Rys. D i Rys. E)
4. Obrócić drzwiczki o 180 stopni, a następnie zamontować drzwiczki w kolejności odwrotnej do czynności wykonywanych podczas wymontowywania.

➤ **Schemat przechowywania**

Zgodnie z rzeczywistą konfiguracją posiadanego produktu należy zapoznać się z właściwym schematem przechowywania.

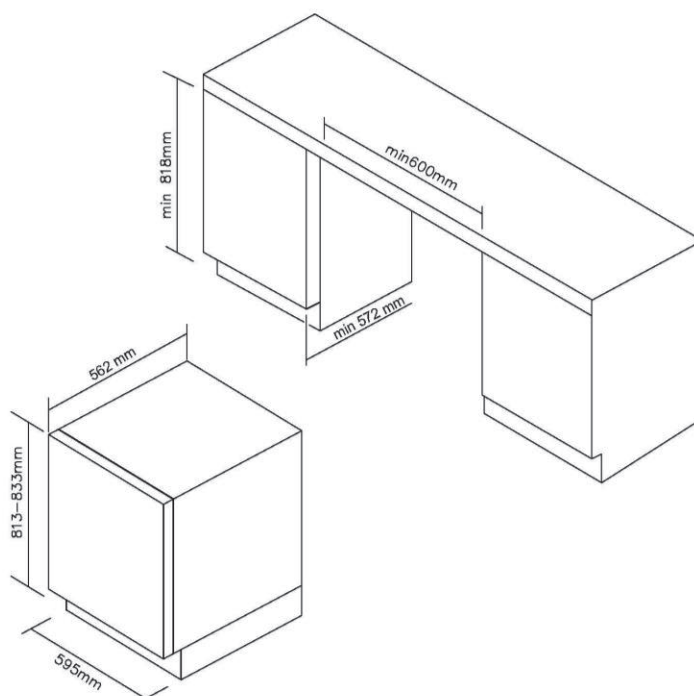
Ogółem: 46 butelek (maksymalnie)



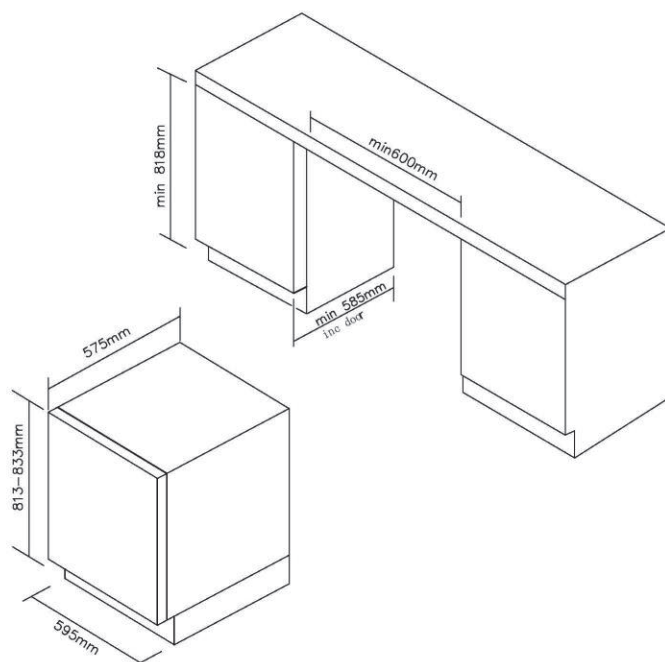
Najbardziej energooszczędna konfiguracja wymaga umieszczenia półek w produkcie, patrz powyższe rysunki.

➤ **Parametry instalacji w zabudowie**

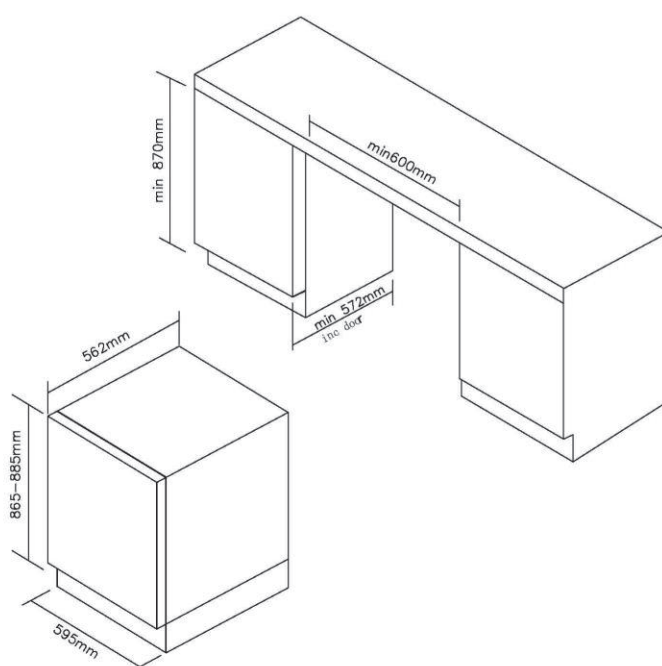
W przypadku wysokości 813 mm z drzwiami z pełnego szkła lub stali nierdzewnej



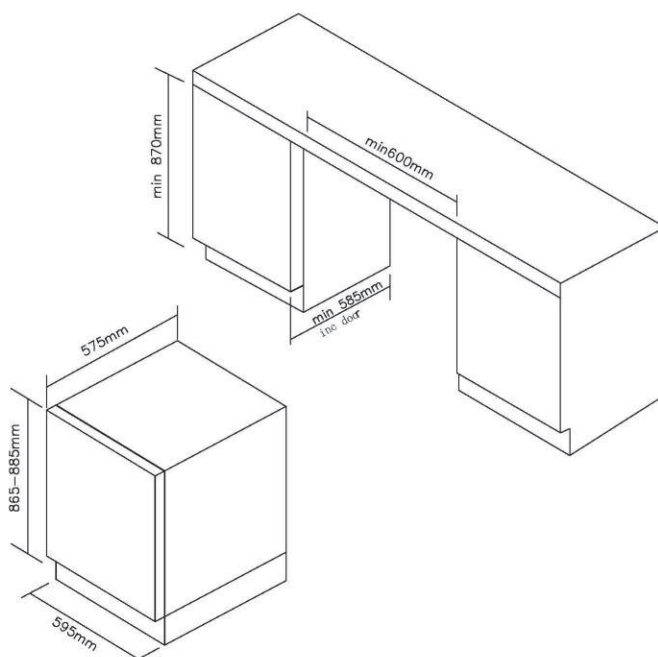
W przypadku wysokości 813mm z wąskimi drzwiczkami ze stali nierdzewnej



W przypadku wysokości 865 mm z drzwiami z pełnego szkła lub stali nierdzewnej



W przypadku wysokości 865mm z wąskimi drzwiczkami ze stali nierdzewnej



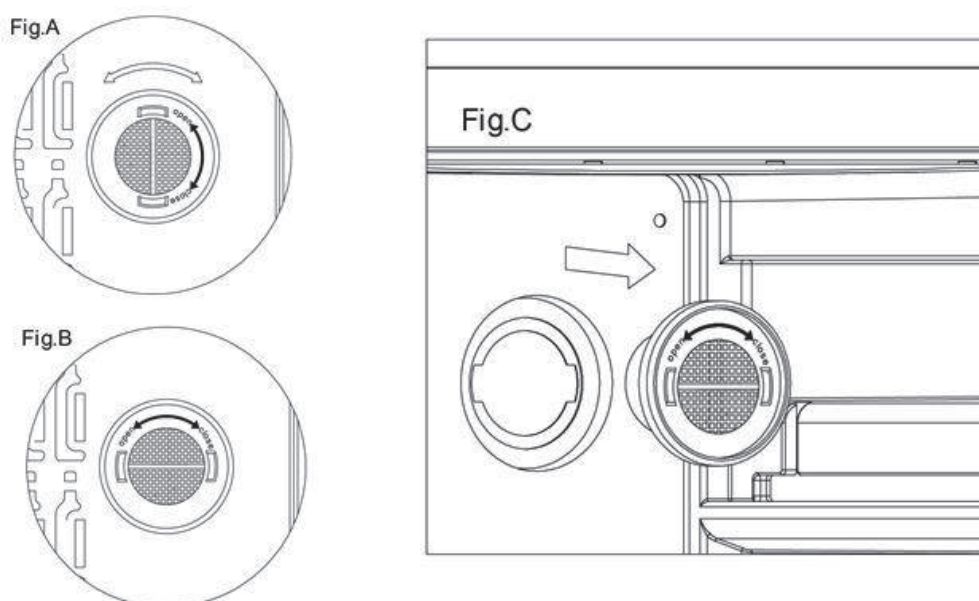
CZYSZCZENIE I KONSERWACJA

➤ Czyszczenie chłodziarki do wina

- Wyłączyć zasilanie, odłączyć urządzenie i wyjąć wszystkie elementy, w tym półki i stojak.
- Wyczyścić powierzchnie wewnętrzne ciepłą wodą i roztworem sody oczyszczonej. W litrze wody wymieszać 2 stołowe łyżki sody oczyszczonej.
- Umyć półki łagodnym roztworem detergentu.
- Usunąć nadmiar wody z gąbki lub ściereczki podczas czyszczenia obszaru elementów sterowania lub jakichkolwiek części elektrycznych.
- Umyć zewnętrzną obudowę ciepłą wodą i łagodnym płynnym detergentem. Dobrze spłukać i wytrzeć do sucha czystą miękką szmatką.

➤ **Wymiana filtra węglowego (jeśli występuje w urządzeniu)**

- Filtry węglowe RCharcoal znajdują się w prawy górnym rogu każdej strefy chłodziarki do wina.
- Otworzyć drzwiczki i wyjąć 2 górne półki (patrz wyjmowanie półek).
- Obrócić filtr zgodnie z Rys. A.
- Zgodnie z Rys. B filtr powinien być wyrównany z nacięciami, jak pokazano na rysunku.
- Wyciągnąć filtr (Rys. C).
- Włożyć nowy filtr i przekręcić zgodnie z Rys. A, aby zablokować go na swoim miejscu.
- Zamontować półki na miejscu.



➤ **Awaria zasilania**

- Większość awarii zasilania jest korygowana w ciągu kilku godzin i nie powinna wpływać na temperaturę urządzenia, jeśli liczba otwarcia drzwiczek zostanie ograniczona do minimum. Jeśli zasilanie zostanie wyłączone na dłuższy czas, należy podjąć odpowiednie kroki w celu zabezpieczenia zawartości urządzenia.

➤ **Czas wakacji**

- **Krótką nieobecność:** Podczas nieobecności trwającej krócej niż trzy tygodnie należy pozostawić chłodziarkę do wina działającą.
- **Długą nieobecność:** Jeśli urządzenie nie będzie używane przez kilka miesięcy, należy wyjąć wszystkie elementy i wyłączyć urządzenie. Wyczyścić i wysuszyć porządnie wnętrze. Aby zapobiec powstawaniu nieprzyjemnych zapachów i rozwojowi pleśni, należy pozostawić drzwiczki lekko otwarte: w razie potrzeby zablokować je.

➤ **Przemieszczenie chłodziarki do wina**

- Wyjąć wszystkie elementy.
- Zabezpieczyć wszystkie luźne przedmioty (półki) wewnątrz urządzenia.
- Obróć regulowaną nogę w górę, do podstawy, aby uniknąć uszkodzenia.
- Zakleić drzwiczki taśmą.
- Upewnić się, że urządzenie pozostaje bezpiecznie w pozycji pionowej podczas transportu. Zabezpieczyć urządzenie również na zewnątrz, kocem lub podobnym elementem.

➤ **Wskazówki dotyczące oszczędzania energii**

- Chłodziarka do wina powinna znajdować się w najchłodniejszej części pomieszczenia, z dala od urządzeń wytwarzających ciepło i z dala od bezpośredniego światła słonecznego.

PROBLEMY Z CHŁODZIARKĄ DO WINA/CHŁODZIARKĄ DO NAPOJÓW?

Można łatwo rozwiązać wiele typowych problemów z chłodziarką do wina/chłodziarką do napojów, oszczędzając koszty ponoszone za ewentualne wezwanie serwisu. Spróbować wykonać poniższe czynności, aby sprawdzić, czy można rozwiązać problem przed wezwaniem serwisanta.

ROZWIĄZYWANIE PROBLEMÓW

PROBLEM	MOŻLIWA PRZYCZYNA
Chłodziarka do wina/chłodziarka do napojów nie działa.	Niewłożona wtyczka do gniazdka. Urządzenie jest wyłączone. Zadziałał wyłącznik główny lub przepalił się bezpiecznik.
Chłodziarka do wina/chłodziarka do napojów nie jest wystarczająco zimna.	Sprawdzić ustawienie temperatury. Otoczenie zewnętrzne może wymagać ustawienia innej temperatury. Drzwiczki są otwierane zbyt często. Drzwiczki nie są całkowicie zamknięte. Uszczelka drzwiczek nie uszczelnia prawidłowo.
Często się włącza i wyłącza.	Temperatura w pomieszczeniu jest wyższa niż zwykle. Dodano do chłodziarki do wina/chłodziarki do napojów dużo napojów. Drzwiczki są otwierane zbyt często. Drzwiczki nie są całkowicie zamknięte. Kontrola temperatury nie jest ustawiona prawidłowo. Uszczelka drzwiczek nie uszczelnia prawidłowo.
Oświetlenie nie działa.	Niewłożona wtyczka do gniazdka. Zadziałał wyłącznik główny lub przepalił się bezpiecznik. Żarówka spaliła się. Przycisk oświetlenia jest wyłączony.
Wibracje.	Sprawdzić, czy chłodziarka do wina/chłodziarka do napojów jest wypoziomowana.
Chłodziarka do wina/chłodziarka do napojów wydaje się działać zbyt głośno.	Grzechotanie może być spowodowane przepływem czynnika chłodniczego, co jest normalne. Po zakończeniu każdego cyklu można usłyszeć odgłosy bulgotania spowodowane przepływem czynnika chłodniczego w chłodziarce do wina/chłodziarce do napojów. Kurczenie i rozprężanie się ścianek wewnętrznych może być źródłem odgłosu trzaskania. Chłodziarka do wina/chłodziarka do napojów nie jest wypoziomowana.
Drzwiczki nie zamykają się prawidłowo.	Chłodziarka do wina/chłodziarka do napojów nie jest wypoziomowana. Drzwiczki zostały odwrócone i nieprawidłowo zamontowane. Uszczelka jest brudna. Półki nie znajdują się na swoim miejscu.

Aby skontaktować się z pomocą techniczną, odwiedź naszą stronę internetową: <https://corporate.haier-europe.com/en/>. W sekcji „website” wybierz markę swojego produktu i swój kraj. Zostaniesz przekierowany na konkretną stronę internetową, na której znajdziesz numer telefonu i formularz do kontaktu z pomocą techniczną

➤ **Dostępność części zamiennych**

Termostaty, czujniki temperatury, płytki obwodów drukowanych przez okres co najmniej siedmiu lat od wprowadzenia do obrotu ostatniego egzemplarza danego modelu

klamki, zawiasy do drzwi, tace i koszyki przez okres co najmniej siedmiu lat oraz uszczelki drzwiowe przez okres co najmniej 10 lat od wprowadzenia do obrotu ostatniego egzemplarza danego modelu

Zalecane USTAWIENIA temperatury

Do przechowywania WSZYSTKICH RODZAJÓW WIN 12 °C to 14 °C

Zalecana temperatura PICIA

Szampan NV, musujący 6 °C

Szampan Vintage 10 °C

Wytrawne białe wino Semilion, Sauvignon Blanc 8 °C

Wytrawne białe wino Gewürztraminer, Riesling 10 °C

Wytrawne białe wino Chardonnay 10 °C

Chardonnay Vintage 14 °C

Słodkie białe wino Sauternes Monbazillac, wino lodowe z późnych zbiorów 10 °C

Słodkie, białe wino Sauternes Vintage 14 °C

Beaujolais 13 °C

Czerwone wino Pinot Noir 16 °C

Czerwone wino Pinot Noir Vintage 18 °C

Czerwone wino Cabernet, Merlot, francuskie, australijskie, nowozelandzkie, chilijskie, argentyńskie, włoskie, hiszpańskie, kalifornijskie 18 °C

Czerwone wino Grenache Syrah 16 °C

Więcej informacji na temat produktu można znaleźć na stronie <https://eprel.ec.europa.eu/> lub zeskanować QR na etykiecie energetycznej dostarczonej z urządzeniem

Português

Obrigado por comprar este produto.

Antes de usar o seu frigorífico, leia atentamente este manual de instruções para maximizar o seu desempenho. Guarde toda a documentação para uso futuro ou outros proprietários. Este produto destina-se exclusivamente a uso doméstico ou para aplicações similares, tais como:

- Área de cozinha para pessoal em lojas, escritórios e outros ambientes de trabalho
- Em quintas, para clientes de hotéis, motéis e outros ambientes do tipo residencial
- como B&Bs (cama e pequeno-almoço)
- Para serviços de catering e aplicações similares, e não para venda por retalho.

Este eletrodoméstico deve ser usado apenas para fins de armazenamento de alimentos, sendo qualquer outro uso considerado perigoso. O fabricante não será responsável por incumprimentos. Além disso, é recomendável que consulte as condições de garantia.

INFORMAÇÃO DE SEGURANÇA

Leia atentamente as instruções de operação e instalação! Estas contêm informações importantes sobre como instalar, usar e fazer a manutenção do eletrodoméstico. O fabricante não é responsável se não cumprir as instruções e avisos. Guarde todos os documentos para uso subsequente ou para o próximo proprietário.

- **Não ligue o aparelho à alimentação de energia até que todas as proteções de embalagem e de transporte tenham sido removidas. Mantenha as crianças afastadas da embalagem e das suas peças. Perigo de sufocação devido a caixas de cartão dobráveis e a película plástica!**
- **Deixe repousar , no mínimo, 4 horas antes de ligar para permitir que o óleo do compressor assente se transportado horizontalmente**
- **Na entrega, verifique se o produto não está danificado e se todas as peças e acessórios estão em perfeitas condições**
- **Não danificar o circuito do refrigerante**
- **Mantenha as aberturas de ventilação na caixa do eletrodoméstico ou na estrutura embutida, livre de obstruções**
- **Nunca use água na posição do compressor, limpe-o cuidadosamente com um pano seco depois da limpeza para evitar ferrugem**
- **Manuseie o aparelho sempre com pelo menos duas pessoas porque é pesado.**
- **Instale e nivele o aparelho numa área adequada para o seu tamanho e utilização.**
- **Certifique-se de que as informações elétricas na placa de classificação correspondem à fonte de alimentação. Se não, entre em contato com um electricista.**
- **O aparelho é operado por uma fonte de alimentação de 220-240 VAC/50 Hz. Uma flutuação da tensão anormal pode fazer com que o aparelho não ligue ou danifique o controlo da temperatura ou o compressor, ou pode haver um ruído anormal durante o funcionamento. Nesse caso, deve ser montado um regulador automático.**
- **Apenas para o Reino Unido: O cabo de alimentação do aparelho está equipado com uma ficha de 3 cabos (terra) que se encaixa numa**

tomada standard de 3 cabos (ligada à terra). Nunca corte ou desmonte o terceiro pino (terra). Após a instalação do aparelho, a tomada deve ficar acessível.

- **Certifique-se de que o cabo de alimentação não fica preso debaixo do aparelho durante e depois de transportar/mover o aparelho, para evitar que o cabo seja cortado ou danificado. Se o cabo de alimentação estiver danificado, deve ser substituído pelo fabricante, pelo seu agente de serviço ou por pessoa qualificada, para evitar perigo**
- **Não instale o eletrodoméstico em locais húmidos, oleosos ou empoeirados, nem o exponha à luz solar direta e à água**
- **Não instale o eletrodoméstico próximo de aquecedores ou de materiais inflamáveis**
- **Não armazene produtos que contenham propulsor inflamável (por ex. latas de sprays) ou substâncias explosivas no aparelho. Risco de explosão!**
- **Não armazene produtos que contenham propulsor inflamável (por ex. latas de sprays) ou substâncias explosivas no aparelho. Risco de explosão!**
- **Não armazene produtos que contenham propulsor inflamável (por ex. latas de sprays) ou substâncias explosivas no aparelho. Risco de explosão!**
- **Não puxe ou dobre excessivamente o cabo de alimentação ou toque a ficha com as mãos molhadas**
- **Não armazene produtos que contenham propulsor inflamável (por ex. latas de sprays) ou substâncias explosivas no aparelho. Risco de explosão!**
- **Não coloque artigos instáveis (objetos pesados, recipientes cheios de água) em cima do frigorífico, para evitar lesões pessoais causadas por queda ou choque elétrico causado pelo contato com a água.**
- **Não usar aparelhos elétricos dentro dos compartimentos de armazenamento de alimentos do aparelho, exceto se forem do tipo recomendado pelo fabricante**
- **Não toque nos elementos de refrigeração internos, especialmente com as mãos molhadas, para evitar rachas ou ferimentos**
- **Correm maior risco as crianças, pessoas com capacidades físicas, mentais ou sensoriais limitadas, bem como pessoas que têm conhecimento inadequado sobre a operação segura do aparelho. Verifique se as crianças e as pessoas vulneráveis compreenderam os riscos. Uma pessoa responsável pela segurança deve fiscalizar ou instruir as crianças e pessoas vulneráveis que estão a utilizar o**

aparelho. Apenas crianças com idade igual ou superior a 8 anos podem utilizar o aparelho.

- As crianças não devem brincar com o eletrodoméstico
- Crianças com idades entre os 3 e os 8 anos não podem carregar e descarregar o aparelho
- PARA aparelhos com um congelador: não armazene líquidos engarrafados ou enlatados (especialmente bebidas gaseificadas) no congelador. As garrafas e latas podem explodir!
- PARA aparelhos com um congelador: nunca coloque alimentos congelados, diretamente do compartimento do congelador, na boca. Risco de queimaduras de baixa temperatura!
- Mantenha as peças plásticas e o vedante da porta isentos de óleo e gordura. Caso contrário, as peças plásticas e o vedante da porta tornar-se-ão porosas.
- Antes de realizar qualquer operação, desligue o cabo de alimentação da tomada elétrica
- Não usar dispositivos mecânicos ou outros meios para acelerar o processo de descongelação, além dos recomendados pelo fabricante
- Não use objetos pontiagudos ou com arestas afiadas, como facas ou garfos, para remover o gelo. Nunca use secadores de cabelo, aquecedores elétricos ou outros aparelhos elétricos para descongelar
- Recomenda-se manter a ficha limpa, pois quaisquer resíduos de poeira excessivos na tomada pode provocar fogo
- Não tente reparar, desmontar ou modificar o aparelho sozinho. Em caso de reparação, entre sempre em contato com a nossa assistência ao cliente.
- Supervisione as crianças enquanto o aparelho estiver a ser limpo ou mantido.
- Não lave prateleiras de vidro frias com água quente. A mudança súbita de temperatura pode fazer com que o vidro se quebre.
- AVISO: Os tubos do circuito de refrigeração transmitem uma pequena quantidade de um refrigerante ecológico mas inflamável (R600a) e gás isolante (ciclopentano). Não danifica a camada de ozono e não aumenta o efeito estufa. Se ocorrer derrame de refrigerante, pode ferir os olhos ou inflamar.
- Caso o circuito refrigerante esteja danificado:
 - Desligue o aparelho e retire a ficha elétrica,
 - Mantenha as chamas nuas e/ou as fontes de ignição afastadas do aparelho
 - Ventile muito bem a sala durante vários minutos
 - Informe a assistência ao cliente.

- **AVISO: Não danifique a ficha e/ou o cabo de alimentação; isso pode causar choques elétricos ou incêndios.**
- **AVISO: Não use tomadas múltiplas portáteis ou fontes de alimentação portáteis. Não recomendamos a utilização de extensões e adaptadores.**
- **Não se sente nem se ponha de pé em cima do aparelho. Pode magoar-se ou danificar o aparelho. Este aparelho não foi concebido para ser empilhado com qualquer outro aparelho.**
- **O produto foi desenhado e construído apenas para uso doméstico**
- **Só podem ser utilizadas peças originais fornecidas pelo fabricante. O fabricante garante que apenas estas peças satisfazem os requisitos de segurança.**
- **Abrir a porta durante longos períodos pode causar um aumento significativo da temperatura nos compartimentos do aparelho**
- **Limpar regularmente as superfícies que possam entrar em contacto com alimentos e sistemas de drenagem acessíveis**
- **Tanques de água limpa, se não forem utilizados durante 48h; lave o sistema de água ligado ao fornecimento de água se a água não for extraída durante 5 dias**
- **Guardar carne e peixe crus em recipientes adequados no congelador, que não fiquem em contacto ou pinguem sobre outros alimentos**
- **Os compartimentos de alimentos congelados de duas estrelas (se apresentados no aparelho) são adequados para armazenar alimentos pré-congelados, armazenar ou fazer gelados e cubos de gelo**
- **Os compartimentos de uma, duas e três estrelas (se apresentados no aparelho) não são adequados para congelar alimentos frescos**
- **Se o aparelho ficar vazio durante longos períodos, deve desligar, descongelar, limpar, secar o mesmo e deixar a porta aberta para evitar o desenvolvimento do bolor no interior**
- **No caso dos aparelhos de armazenagem de vinhos: Este aparelho destina-se exclusivamente à armazenagem de vinhos**
- **No caso dos aparelhos de instalação livre: Este aparelho de refrigeração não se destina a ser utilizado como aparelho encastrável**
- **No caso dos aparelhos sem compartimento de quatro estrelas: Este aparelho de refrigeração não é adequado para congelar géneros alimentícios**

Desmantelamento de um aparelhos antigos



Este equipamento está marcado em conformidade com a Diretiva Europeia 2012/19/UE sobre Resíduos Elétricos e Equipamento Eletrónico (REEE).

O REEE contém substâncias poluentes (que podem ser perigosas para o meio ambiente) e componentes básicos (que podem ser reutilizados). É importante que os REEE sejam submetidos a tratamentos específicos, para remover e eliminar adequadamente todos os poluentes e recuperar e reciclar todos os materiais.

As pessoas desempenham um papel importante para garantir que os REEE não representam um problema ambiental; para isso, é essencial que sejam cumpridas algumas regras básicas:

- Os REEE não devem ser tratados como lixo doméstico;
- Os REEE devem ser entregues nos pontos de recolha adequados administrados pelo município ou por empresas registadas. Em muitos países, para grandes REEE, pode estar disponível recolha doméstica.

Em muitos países, quando é comprado um aparelho novo, o antigo pode ser devolvido ao retalhista, que deve proceder à recolha gratuitamente, desde que o equipamento seja de tipo equivalente e tenha as mesmas funções do equipamento fornecido.

Conformidade

Ao colocar a marca **CE** neste produto, confirmamos a sua conformidade com todos os requisitos Europeus de segurança, saúde e ambientais que são mencionados na legislação aplicável para este produto.

Garantia

A garantia mínima é: 2 anos para os países da UE, 3 anos para a Turquia, 1 ano para o Reino Unido, 1 ano para a Rússia, 3 anos para a Suécia, 2 anos para a Sérvia, 5 anos para a Noruega, 1 ano para Marrocos, 6 meses para a Argélia, Tunísia nenhuma garantia legal necessária.

Poupança de energia

Para maiores poupanças energéticas sugerimos:

- Instalar o eletrodoméstico afastado de fontes de calor e não exposto à luz solar direta e numa sala bem ventilada.
- Evitar colocar alimentos quentes no frigorífico para evitar o aumento da temperatura interna e, assim, causar o funcionamento contínuo do compressor.
- Não envolver excessivamente os alimentos de modo a garantir uma circulação adequada do ar.
- Descongelar o eletrodoméstico em caso de haver gelo para facilitar a transferência de frio.
- No caso de falha de energia elétrica, é aconselhável manter a porta do frigorífico fechada.
- Abrir ou manter as portas do eletrodoméstico abertas o mínimo possível
- Evitar ajustar as definições para temperaturas muito frias.
- Limpar o pó presente na parte traseira do aparelho

Fonte de luz (apenas LED) substituível por um profissional
Este produto contém uma fonte de luz com classe de eficiência energética G.

INSTRUÇÕES PARA A INSTALAÇÃO

➤ Antes de usar o refrigerador de vinho

- Remova a embalagem exterior e interior.
- Antes de ligar o refrigerador de vinho à fonte de alimentação, deixe-o em pé durante aproximadamente 2 horas. Isto reduzirá a possibilidade de mau funcionamento no sistema de refrigeração devido ao manuseamento durante o transporte.
- Limpe a superfície interior com água morna usando um pano macio.
- Ao eliminar o seu aparelho, escolha um local de eliminação autorizado.

➤ Instalação do seu refrigerador de vinho

- Este aparelho foi desenhado para ser instalado de forma independente ou encastrado (totalmente encastrado). (Consulte a etiqueta na parte de trás deste aparelho).
- **Este aparelho destina-se exclusivamente para armazenamento de vinho ou bebidas.**
- Coloque o seu refrigerador de vinho sobre um piso suficientemente forte para suportar o seu peso quando estiver totalmente carregado. Para nivelar o seu refrigerador de vinho, ajuste as perna de nivelamento frontais na parte inferior do refrigerador de vinho.
- Este aparelho usa refrigerante inflamável. Por este motivo, não danifique a tubagem de refrigeração durante o seu transporte. Coloque o refrigerador de vinho afastado da luz solar direta e de fontes de calor (fogão, aquecedor, radiador, etc.). A luz solar direta pode afetar o revestimento acrílico e as fontes de calor podem aumentar o consumo elétrico. Temperaturas ambiente extremamente frias também podem comprometer o adequado funcionamento da unidade.
- Evite colocar a unidade em áreas húmidas.
- Ligue o refrigerador de vinho a uma tomada mural exclusiva e devidamente instalada. Não corte ou remova, em circunstância alguma, o terceiro pino de terra do cabo de alimentação. Para qualquer dúvida sobre energia e/ou ligação à terra deve contactar um electricista certificado ou um centro de serviços autorizado.

➤ Atenção

- Armazene vinho em garrafas seladas;
- Não sobrecarregue o armário;
- Não abra a porta, exceto quando necessário;
- Não cubra as prateleiras com folha de alumínio ou qualquer outro material de prateleira que possa impedir a circulação do ar;
- Caso o refrigerador de vinho seja armazenado sem ser utilizado durante longos períodos, recomenda-se, após uma limpeza cuidadosa, deixar a porta entreaberta para permitir que o ar circule dentro do armário, para evitar possíveis formações de condensação, mofo ou odores.

➤ Limites de temperatura ambiente





Este aparelho foi desenhado para funcionar em temperaturas ambiente especificadas para a sua classe de temperatura assinalada na chapa de características.

- Temperada alargada (SN): «Este aparelho de refrigeração destina-se a ser utilizado a temperaturas ambientes compreendidas entre 10 °C e 32 °C»
- Temperada (N): «Este aparelho de refrigeração destina-se a ser utilizado a temperaturas ambientes compreendidas entre 16 °C e 32 °C»
- Subtropical (ST): «Este aparelho de refrigeração destina-se a ser utilizado a temperaturas ambientes compreendidas entre 16 °C e 38 °C»
- Tropical (T): «Este aparelho de refrigeração destina-se a ser utilizado a temperaturas ambientes compreendidas entre 16 °C e 43 °C»



OPERAR O SEU REFRIGERADOR DE VINHO/REFRIGERADOR DE BEBIDAS E DEFINIR O CONTROLO DE TEMPERATURA

➤ Instruções do sistema de controlo



- Tecla “”
Para controlar este aparelho, ligue/desligue (mantenha premidos estes botões durante cerca de 3 segundos).
- Tecla “”
Para controlar a luz interior, ligue/desligue.
- Tecla “”
Para definir a temperatura da câmara superior.
- Tecla “”
Para definir a temperatura da câmara inferior.
- **Janela do visor LED à esquerda**
Para definir a temperatura da câmara superior.
- **Janela do visor LED à direita**
Para definir a temperatura da câmara inferior.
- **Luz indicadora**
Compressor no visor de operação.

➤ Configuração dos Controlos de Temperatura

- Ao pressionar a tecla “” ou “”, o sistema entrará automaticamente no modo de configuração no compartimento superior ou inferior. O LED pisca e exibe a temperatura definida.
Pressione uma vez a tecla, e a temperatura diminui ou aumentar 1 °C. Ao exceder o valor mínimo que pode ser estabelecido, passa automaticamente para o valor de temperatura ajustável mais alto. Ao parar de pressionar a tecla durante 5 segundos, o valor do LED deixa de piscar e volta para exibir a temperatura do compartimento superior ou inferior.
- Depois da unidade ser desligada, sistema volta para a temperatura de aquiescência, que é ajustada pela fábrica. A temperatura de aquiescência como abaixo:
Compartimento superior: 6°C
Compartimento inferior: 12°C
- Se quiser ver cada temperatura de configuração interior pressione a tecla "Set Upper" ou "Set Lower" e o LED pisca e exibe a temperatura de configuração. Ao parar de pressionar a tecla durante 5 segundos, o valor do LED deixa de piscar e volta para exibir a temperatura atual.
Compartimento superior: A configuração de temperatura pode ser ajustada de 5°C a 10°C.
Compartimento inferior: A configuração de temperatura pode ser ajustada de 10°C a 18°C.

➤ **Alarme da temperatura**

Se a temperatura interior for superior a 23 °C, será exibido "HI" no visor do painel, e após uma hora acionado um alarme / campainha com som. Isso indica que a temperatura no interior é muito alta. Se a temperatura no interior for inferior a 0 °C, será exibido "LO" no visor do painel e ao mesmo tempo também o alarme de indicação de avaria é ativado.

➤ **Função de recuperação de temperatura**

No caso de uma interrupção de energia, o refrigerador de vinho pode recordar as configurações de temperatura anteriores e, quando a energia volta, a temperatura do refrigerador volta para a configuração anterior à interrupção de energia.

➤ **Luz interior**

Para reduzir o consumo de energia, este armário desliga automaticamente as luzes LED após 10 minutos.

No entanto, é possível manter a luz LED acesa continuamente. Mantenha pressionada a tecla "LIGHT" durante 5 segundos até o visor mostrar "LP". Após 4 segundos, o visor volta ao normal e a luz permanece acesa até ser desligada manualmente.

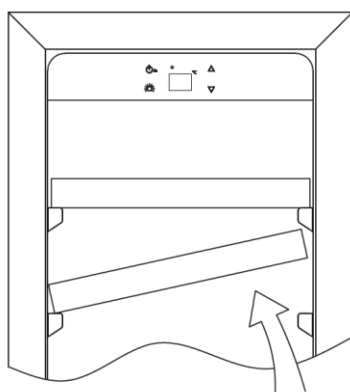
Se quiser reverter e poupar energia (recomendado), mantenha pressionada a tecla "LIGHT" durante 5 segundos, até o visor mostrar "LF". Após 4 segundos, o visor volta ao normal, sendo a luz automaticamente desligada após 10 minutos.

➤ **Prateleiras**

- Para evitar danificar a junta da porta, certifique-se que a porta está totalmente aberta quando puxar as prateleiras para fora da calha.
- Para facilitar o acesso ao conteúdo armazenado, deve puxar as prateleiras aproximadamente 1/3 para fora da calha; no entanto, esta unidade foi desenhada com um entalhe em cada lado das calhas da prateleira para evitar que as garrafas caiam.
- Ao remover qualquer uma dessas prateleiras da calha, para encaixar ou remover a prateleira, incline a prateleira de acordo com o esquema e puxe ou empurre a prateleira até ficar encaixada nos suportes em segurança.

➤ **NOTA:**

- Se a unidade estiver desligada, sem energia ou desligada, deve aguardar de 3 a 5 minutos antes de reiniciar a unidade. Se tentar reiniciar antes deste atraso de tempo, o refrigerador de vinho / refrigerador de bebidas não arranca.
- Quando usa o refrigerador de vinho/refrigerador de bebidas pela primeira vez ou reinicia o refrigerador de vinho/refrigerador de bebidas depois de ter estado desligado durante um longo período de tempo, pode haver uma variação de alguns graus entre a temperatura selecionada e a indicada na leitura do LED. Esta diferença é normal, e deve-se período do tempo de ativação. Depois do refrigerador de vinho/refrigerador de bebidas estar a funcionar há algumas horas, voltará ao normal.



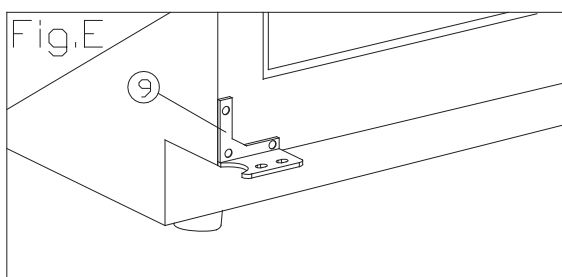
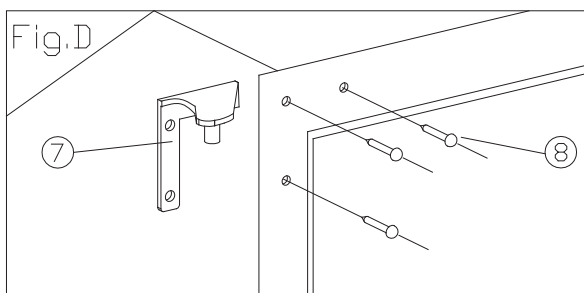
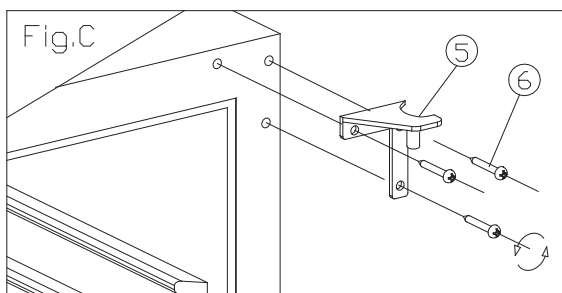
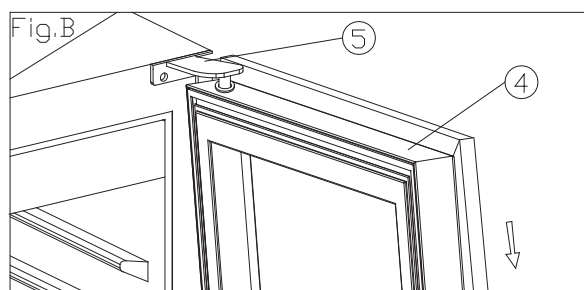
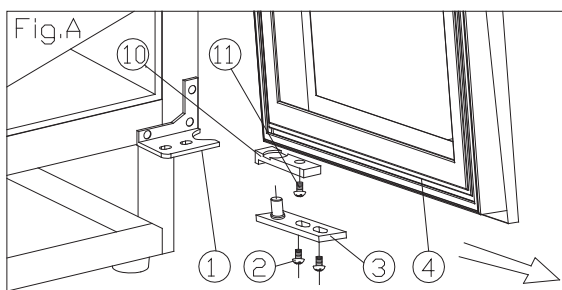
➤ **Como mudar a abertura da porta**

Este aparelho tem portas reversíveis, mas é entregue com uma porta articulada à direita. O kit de dobradiça à esquerda vem com a unidade (na caixa), caso pretenda inverter a dobradiça da sua unidade.

Tipo A (para porta totalmente em vidro / aço inoxidável)

- | | | |
|---|--|---|
| 1. Dobradiça inferior (direita) | 2 . Parafusos | 3. Eixo da porta |
| 4. Porta | 5. Dobradiça superior (direita) | 6. Parafusos de dobradiça |
| 7. Dobradiça superior (esquerda) | 8. Tampa do furo | 9. Dobradiça inferior (esquerda) |
| 10. Dispositivo de limite da porta | 11. Aparafusar | |

1. Abra a porta com um ângulo de 90 graus, retire os 2 parafusos (2) do eixo inferior da porta (3), retire a porta (4), retire a placa do eixo (3) da porta (Fig. A).
2. Desaparafuse o parafuso (11) situado por baixo do batente da porta e do dispositivo de limite (10) e volte a colocar no lado esquerdo da estrutura da porta. (Fig. A/B)
3. Retire os 3 parafusos de dobradiça (6) da dobradiça superior (direita) (5) e remova. (Fig. C)
4. Retire o pino decorativo (8) da parte superior esquerda do armário e instale a dobradiça superior sobressalente (esquerda) (7) na parte superior esquerda do armário com 3 parafusos. (Fig. D)
5. Seguindo o procedimento acima, instale a dobradiça sobressalente inferior à esquerda (9). (Fig. E)
6. Instale e alinhe a porta.
7. Insira as tampas de plástico para cobrir os orifícios (8).



Tipo B (para porta fina de aço inoxidável)

1 Dobradiça inferior
(direita)

4 Porta

7 Dobradiça superior
(esquerda)

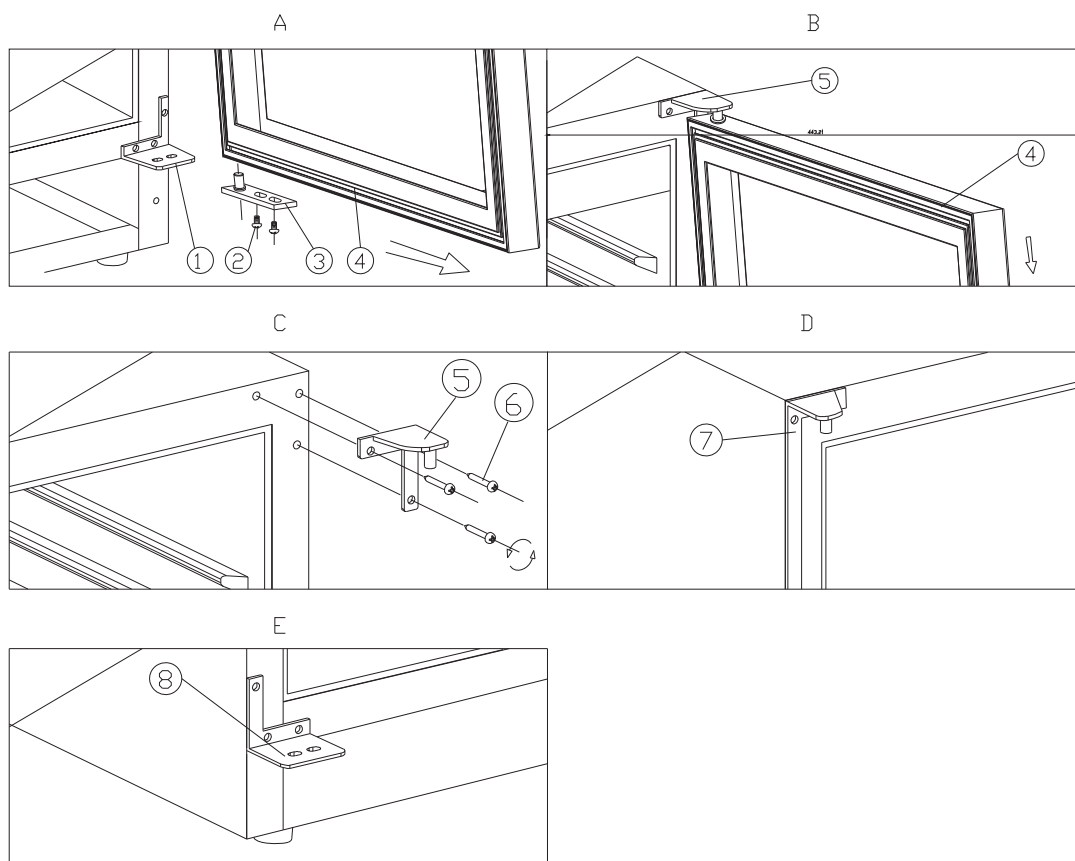
2 Parafusos

5 Dobradiça superior
(direita)

8 Dobradiça inferior
(esquerda)

3 Eixo da porta

6 Parafusos

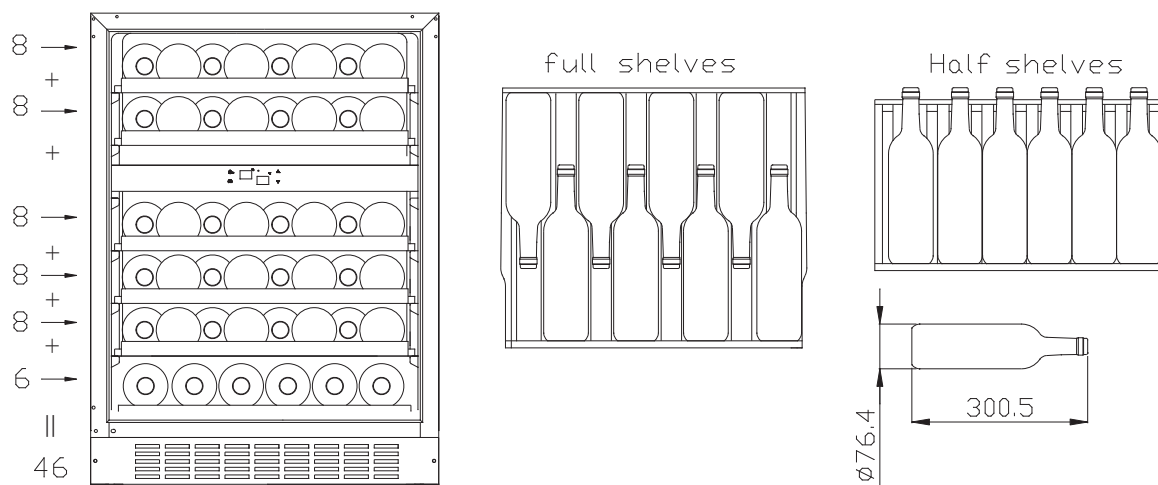


1. Retire 2 parafusos (2) e, de seguida, puxe a porta (4) de acordo com a direção da seta e a dobradiça inferior (direita) (1), assim como o conjunto. (Fig.A e Fig.B)
2. Retire 3 parafusos (6) da dobradiça superior direita e, de seguida, retire a dobradiça superior direita (5) e a dobradiça inferior direita (1). (Ver fig.C)
3. Use os parafusos que removeu das dobradiças do lado direito para fixar as dobradiças superior e inferior esquerda (7)(8). (Consulte Fig.D e Fig.E)
4. Rode a porta a 180 graus e, de seguida, monte a porta de acordo na forma inversa da remoção.

➤ **Esquema de armazenamento**

De acordo com a configuração real do seu produto, verifique o esquema de armazenamento respectivo.

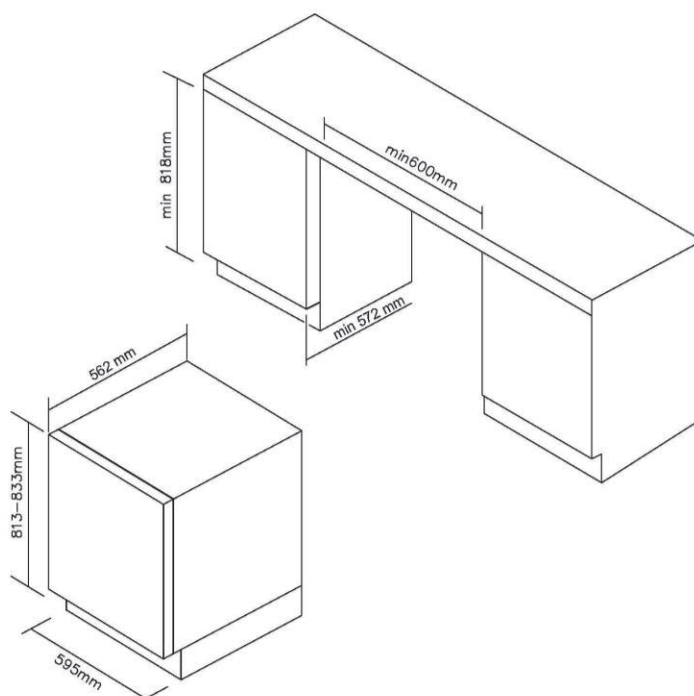
Total: 46 garrafas (Máx.)



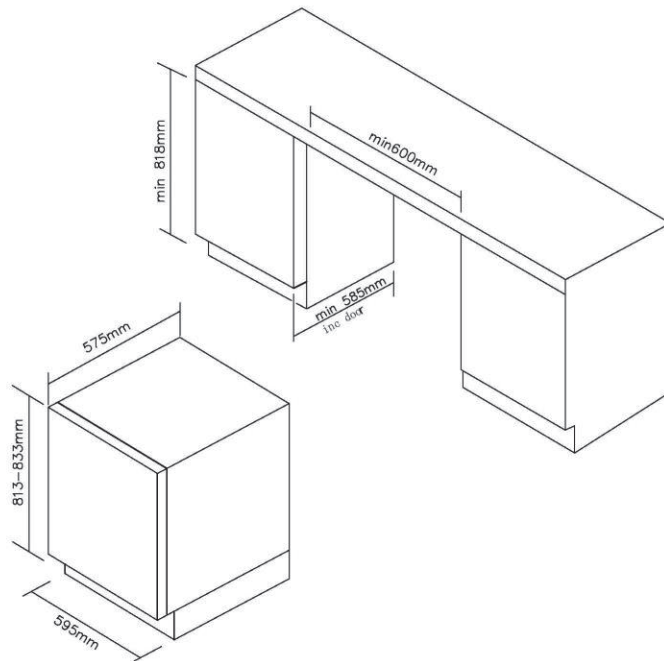
A configuração mais energeticamente eficiente requer e as prateleiras estejam dentro do frigorífico. Consulte as imagens acima.

➤ **Especificações de instalação para encastrar aparelho**

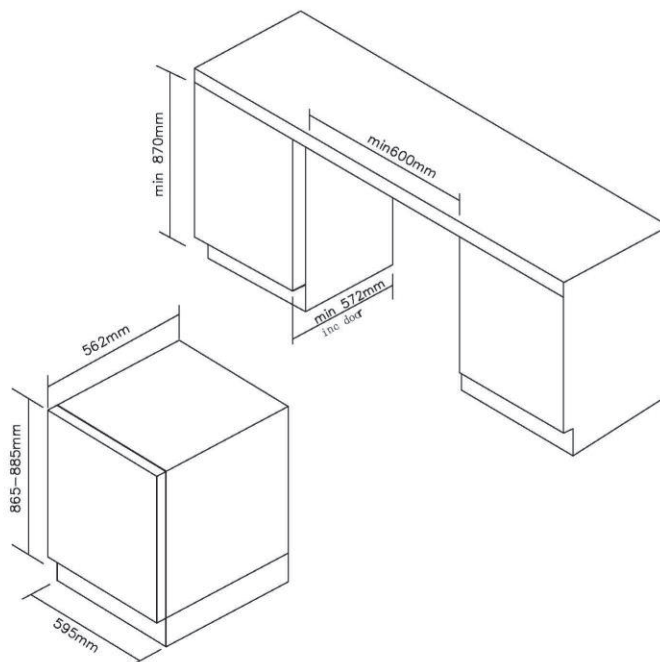
Para altura 813 mm com porta totalmente em vidro ou aço inoxidável



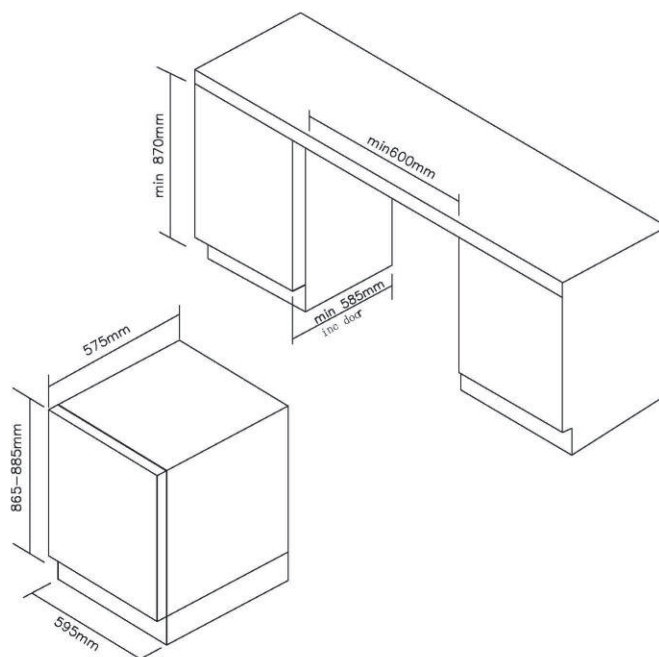
Para altura 813 mm Porta de Aço Inoxidável Slim



Para altura 865 mm com porta totalmente em vidro ou aço inoxidável



Para altura 865 mm com Porta de Aço Inoxidável Slim



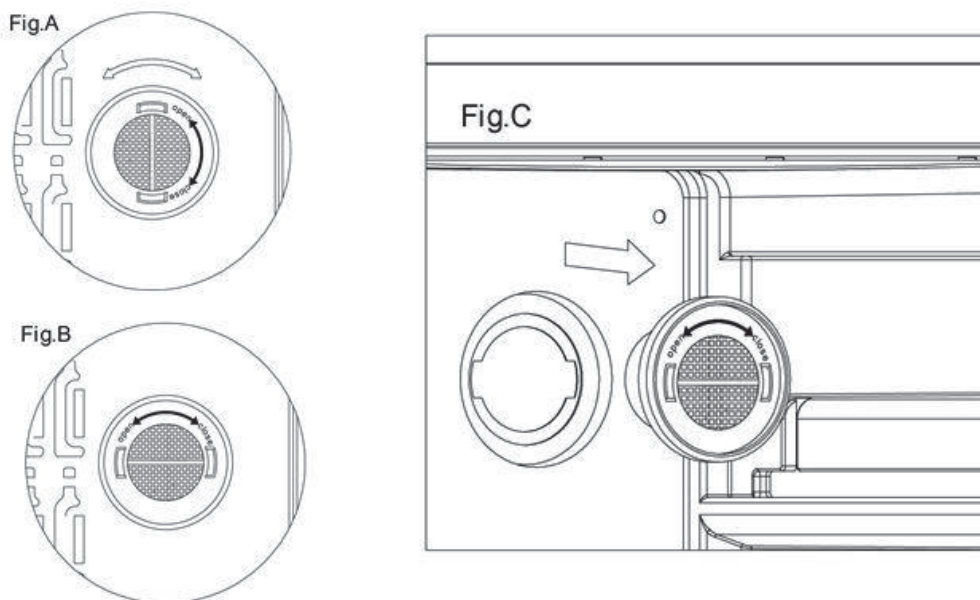
LIMPEZA E MANUTENÇÃO

➤ LIMPEZA DO SEU REFRIGERADOR DE VINHO

- Desligue a energia, desligue o aparelho e remova todos os itens, incluindo prateleiras e calhas.
- Lave as superfícies interiores com água morna e uma solução de bicarbonato de sódio. A solução deve ser preparada com 2 colheres de sopa de bicarbonato de sódio por quarto de água.
- Lave as prateleiras com uma solução detergente suave.
- Retire o excesso de água da esponja ou do pano ao limpar a área dos controlos ou quaisquer peças elétricas.
- Lave o armário exterior com água morna e detergente líquido neutro. Enxague bem e seque com um pano macio e limpo.

➤ **Como substituir o filtro de carvão vegetal**

- Os filtros de carvão vegetal estão localizados no canto superior direito de cada zona do armário de vinhos.
- Abra a porta e remova as 2 prateleiras superiores (consulte, Remoção das prateleiras).
- Rode o filtro de acordo com a Fig. A.
- De acordo com a Fig. B, o filtro deve ser alinhado com os entalhes, como mostrado.
- Puxe o filtro para fora (Fig. C).
- Insira o filtro de substituição e torça de acordo com a Fig. A para travar na posição.
- Volte a instalar as prateleiras.



➤ **Falha de energia**

- A maioria das falhas de energia são corrigidas após algumas horas e não devem afetar a temperatura do seu aparelho se diminuir o número de vezes que a porta é aberta. Se a energia ficar desligada por um longo período de tempo, será preciso tomar medidas adequadas para proteger o seu conteúdo.

➤ **Período de férias**

- **Férias curtas:** Deixe o Refrigerador de Vinho a funcionar durante períodos de férias inferiores a três semanas.
- **Férias longas:** Se o aparelho não for utilizado durante vários meses, retire todos os itens e desligue o aparelho. Limpe e seque completamente o interior. Para evitar o odor e o crescimento do bolor, deixe a porta ligeiramente aberta: bloqueando-a, se necessário.

➤ **Movimentação do seu refrigerador de vinho**

- Remover todos os itens.
- Fixar bem todos os itens soltos (prateleiras) no interior do seu aparelho.
- Rode a perna ajustável até à base para evitar danos.
- Tape a porta.
- Certifique-se de que o aparelho permanece seguro na posição vertical durante o transporte. Proteja também o exterior do aparelho com um cobertor ou artigo semelhante.

➤ **Dicas para poupança de energia**

- O Refrigerador de Vinho deve estar localizado na área mais fria da divisão, longe de aparelhos produtores de calor e fora da luz solar direta.

PROBLEMAS COM O SEU REFRIGERADOR DE VINHO/REFRIGERADOR DE BEBIDAS?

Pode solucionar muitos problemas comuns do refrigerador de vinho/bebidas facilmente, poupando o custo de uma possível chamada de serviço. Tente as sugestões abaixo para ver se pode resolver o problema antes de chamar o técnico de assistência.

GUIA DE RESOLUÇÃO DE PROBLEMAS

PROBLEMA	POSSÍVEL CAUSA
O refrigerador de vinho/refrigerador de bebidas não funciona.	Não está ligado. O aparelho está desligado. O disjuntor disparou ou um fusível queimou.
O refrigerador de vinho/refrigerador de bebidas não está frio o suficiente.	Verifique a configuração de controlo de temperatura. O ambiente externo pode exigir uma configuração mais elevada. A porta é aberta demasiadas vezes. A porta não está completamente fechada. A guarnição da porta não veda corretamente.
Liga e desliga frequentemente.	A temperatura ambiente é mais quente que o normal. Foi adicionada uma grande quantidade de itens ao refrigerador de vinho/refrigerador de bebidas. A porta é aberta demasiadas vezes. A porta não está completamente fechada. O controlo de temperatura não está corretamente regulado. A guarnição da porta não veda corretamente.
As luzes não funcionam.	Não está ligado. O disjuntor disparou ou um fusível queimou. A lâmpada fundiu. O botão de luz está "OFF".
Vibrações.	Verifique se o refrigerador de vinho/refrigerador de bebidas está nivelado.
O refrigerador de vinho/refrigerador de bebidas parece fazer muito barulho.	O ruído de chocalho pode vir do fluxo do refrigerante, o que é normal. À medida que cada ciclo termina, pode ouvir sons de borbulhar causados pelo fluxo de refrigerante no seu refrigerador de vinho/refrigerador de bebidas. A contração e a expansão das paredes interiores da cave de vinhos podem provocar estalidos e ruídos similares. O refrigerador de vinho/refrigerador de bebidas não está nivelado.
A porta não fecha corretamente.	O refrigerador de vinho/refrigerador de bebidas não está nivelado. A porta estava invertida e mal instalada. A junta está suja. As prateleiras estão fora de posição.

Para entrar em contato com a assistência técnica, visite nosso site: <https://corporate.haier-europe.com/en/>. Na seção "website", escolha a marca do seu produto e o seu país. Você será redirecionado para o site específico onde poderá encontrar o número de telefone e formulário para entrar em contato com a assistência técnica

➤ **Disponibilidade de peças de reposição**

- Termóstatos, sensores de temperatura, placas de circuito impresso e fontes de luz, por um período mínimo de sete anos após a colocação no mercado da última unidade do modelo em causa;
- Pegas de porta, dobradiças de porta, tabuleiros e cestos por um período mínimo de sete anos e vedantes de porta por um período mínimo de dez anos, após a colocação no mercado da última unidade do modelo em causa

Definições de temperatura recomendadas

Para guardar todos os tipos de vinho **12 °C to 14 °C**

Temperatura recomendada para bebidas

Champanhe NV, Espumante **6 °C**

Champanhe Vintage **10 °C**

Semillon branco seco, Sauvignon branco **8 °C**

Gewürztraminer branco seco, Riesling **10 °C**

Chardonnay branco seco **10 °C**

Chardonnay Vintage **14 °C**

Sauternes Monbazillac brancos doces, Ice Wines **10 °C**

Sauternes Vintage brancos doces **14 °C**

Beaujolais **13 °C**

Pinot Noir tinto **16 °C**

Pinot Noir Vintage tinto **18 °C**

Cabernet tinto, Merlot, francês, australiano, neozelandês, chileno, argentino, italiano, espanhol, californiano **18 °C**

Grenache tinto, Syrah **16 °C**

Para mais informações sobre o produto, consulte <https://eprel.ec.europa.eu/> ou digitalize o QR na etiqueta de energia fornecida com o aparelho

Slovák

Ďakujeme vám, že ste si kúpili náš výrobok.

Pred používaním svojej chladničky si pozorne prečítajte návod na použitie, aby ste maximálne využili všetky jej vlastnosti. Všetky dokumenty si odložte pre ďalšie použitie alebo pre ďalších používateľov. Tento spotrebič je určený iba na použitie v domácnosti alebo na podobné využitie, napríklad:

- v kuchynkách pre pracovníkov v obchodoch, v kanceláriách alebo na iných pracoviskách
- v podnikoch, pre hostov v hoteloch, motelloch a v iných prostrediach rezidenčného typu
- v ubytovniach a v prenajímaných izbách (B & B)
- pre kateringové služby a podobné použitie mimo maloobchodného predaja.

Tento spotrebič sa smie používať iba na skladovanie potravín, každé iné použitie sa považuje za nebezpečné a výrobca v prípade porušenia pokynov nepreberá žiadnu zodpovednosť. Okrem toho sa odporúča nezabúdať na podmienky záruky.

BEZPEČNOSTÉ PREDPISY

Pozorne si prečítajte návod na obsluhu a inštaláciu! Obsahujú dôležité informácie o tom, ako spotrebič inštalovať, používať a ako na ňom vykonávať údržbu. Výrobca nepreberá žiadnu zodpovednosť v prípade nedodržania pokynov a varovaní. Všetku dokumentáciu si odložte, aby ste ju mali k dispozícii na budúce použitie alebo pre ďalších vlastníkov.

- **Pred zapojením spotrebiča do elektrickej siete odstráňte všetky etoky obalový materiál a prepravné ochranné prvky. Deti udržiavajte mimo obalového materiálu a jeho častí. Nebezpečenstvo udusenia skladacími kartónmi a plastovou fóliou!**
- **Nechajte ho pred zapnutím postáť aspoň 4 hodiny, aby sa olej kompresoru ustálil, ak sa prepravoval v horizontálnej polohe**
- **Po dodaní skontrolujte, či výrobok nie je poškodený a či sú všetky časti a príslušenstvo v dokonalom stave**
- **Nepoškozujte chladiaci okruh**
- **Vetracie otvory na kryte spotrebiča alebo na štruktúre zabudovania udržiavajte nezakryté, bez prekážok**
- **Miesto kompresora nikdy neumývajte vodou, po vyčistení ho dôkladne utrite suchou handričkou, aby sa predišlo hrdzaveniu**
- **Zariadenie musia prenášať minimálne dve osoby, pretože je ťažké.**
- **Zariadenie nainštalujte a vyrovnajte na mieste, ktoré je vhodné svojou veľkosťou a využitím.**
- **Uistite sa, že elektrické informácie na typovom štítku súhlasia s napájaním. Ak to tak nie je, kontaktujte elektrikára.**
- **Zariadenie je v prevádzke pri 220 - 240 VAC/50 Hz napájaní. Abnormálne kolísanie napätia môže spôsobiť, že sa prístroj nespustí, poškodí sa regulátor teploty alebo kompresor alebo sa môže pri prevádzke vyskytnúť neobvyklý hluk. V takom prípade musíte namontovať automatický regulátor.**
- **Len pre Veľkú Britániu: Napájací kábel zariadenia je vybavený 3-káblovou (uzemňovacou) zástrčkou, ktorá sa hodí do štandardnej 3-káblovej (uzemnenej) zásuvky. Tretí kolík (uzemnenie) nikdy**

neodrezávajúte ani neodstraňujte. Po inštalácii spotrebiča musí byť zástrčka prístupná.

- Uistite sa, aby sa kábel napájania nezachytil počas a po presúvaní/prenášaní spotrebiča pod spotrebičom, aby sa zabránilo prerezaniu alebo poškodeniu kábla napájania. Ak došlo k poškodeniu napájacieho kábla, musí ho vymeniť výrobca, jeho servisný zástupca alebo podobne spôsobilá osoba, aby nedošlo k nebezpečenstvu
- Spotrebič neinštalujte vo vlhkom, mastnom ani prašnom prostredí a nevystavujte ho priamemu slnečnému svetlu ani vode
- Spotrebič neinštalujte v blízkosti ohrievačov ani horľavých materiálov
- PRE spotrebiče s mraziacim boxom: v prípade výpadku prúdu neotvárajte veko. Ak bude porucha pretrvávajúca kratšie, než je uvedené na typovom štítku (čas zvyšovania teploty), nemalo by to mať na zmrazené potraviny žiadny vplyv. V prípade dlhšieho výpadku treba potraviny skontrolovať a okamžite skonzumovať, prípadne tepelne upraviť a následne znova zmraziť.
- Ak sa vám zdá, že sa veko spotrebiča bezprostredne po zatvorení otvára veľmi sťažka, nie je to dôvod na obavu. Je to spôsobené rozdielom tlaku, ktorý sa po niekoľkých minútach vyrovná, takže sa veko bude dať znova normálne otvoriť.
- V zariadení neskladujte lieky, baktérie ani chemické látky. Toto zariadenie je domáci spotrebič. Neodporúčame vám, aby ste v ňom skladovali materiály, ktoré vyžadujú presné teploty.
- Elektrický napájací kábel príliš netahajte a neohýbajte, ani sa ho nedotýkajte mokrými rukami
- V spotrebiči neskladujte produkty, ktoré obsahujú horľavé hnacie plyny (napr. spreje) alebo výbušné látky. Nebezpečenstvo výbuchu!
- Na chladničku neumiestňujte nestabilné predmety (ťažké predmety, nádoby naplnené vodou), aby nedošlo k zraneniu osôb následkom pádu alebo úrazu elektrickým prúdom po kontakte s vodou.
- Vnútri oddelenia na skladovanie potravín v spotrebiči nepoužívajte elektrické spotrebiče, s výnimkou typov spotrebičov povolených zo strany výrobcu
- Nedotýkajte sa vnútorných prvkov chladenia, najmä mokrými rukami, aby sa predišlo prasknutiu alebo zraneniu

- **Ohrozené sú deti, osoby so zníženými fyzickými, mentálnymi alebo duševnými schopnosťami, ako aj osoby, ktoré nemajú dostatočné znalosti o bezpečnej prevádzke spotrebiča. Uistite sa, že deti a zraniteľné osoby chápu nebezpečenstvá. Osoba zodpovedná za bezpečnosť musí dohliadať alebo inštruovať deti a zraniteľné osoby, ktoré používajú spotrebič. Spotrebič môžu používať iba deti staršie ako 8 rokov.**
- **Deti sa nesmú hrať so spotrebičom**
- **Deti vo veku od 3 do 8 rokov môžu vkladať a vykladať predmety zo spotrebiča**
- **PRE spotrebiče s mraziacim boxom: v mraziacom boxe neskladujte kvapaliny vo fľašiach alebo plechovkách (najmä sýtené nápoje). Fľaše a plechovky môže roztrhnúť!**
- **PRE spotrebiče s mraziacim boxom: mrazené potraviny vybrané priamo z mraziaceho boxu si nikdy nedávajte do úst. Nebezpečenstvo omrzlín!**
- **Plastové diely a tesnenie dverí udržiajte bez oleja a mastnoty. V opačnom prípade budú plastové časti a tesnenie dverí priepustné.**
- **Pred vykonaním akéhokoľvek úkonu vytiahnite elektrickú zástrčku z elektrickej zásuvky**
- **Na urýchlenie odmrazovania spotrebiča nepoužívajte mechanické nástroje ani iné prostriedky, pokiaľ ich neodporučil výrobca**
- **Na odstránenie námrazy nepoužívajte špicaté alebo ostré predmety, ako sú nože alebo vidličky. Na odmrazovanie nikdy nepoužívajte fény, elektrické ohrievače alebo iné podobné elektrické spotrebiče**
- **Odporúča sa udržiavať zástrčku kábla čistú. Zvyšky prachu na zástrčke by mohli spôsobiť požiar**
- **Zariadenie sa nepokúšajte sami opravovať, rozoberať alebo upravovať. V prípade opravy vždy kontaktujte náš zákaznícky servis.**
- **Počas čistenia alebo údržby spotrebiča dohliadajte na deti.**
- **Studené sklenené poháre nečistite horúcou vodou. Náhla zmena teploty môže spôsobiť rozbitie skla.**
- **VAROVANIE: Rúry chladiaceho okruhu prenášajú malé množstvo ekologicky nezávadného, ale horľavého chladiva (R600a) a izolačného plynu (cyklopentán). Nepoškodzuje ozónovú vrstvu a nezvyšuje skleníkový efekt. Ak chladivo unikne, môže vám poraniť oči alebo sa vznietiť.**
- **V prípade poškodenia chladiaceho okruhu:**
 - **Vypnite spotrebič a vytiahnite sieťovú zástrčku,**

- Premiestnite otvorený oheň a/alebo zdroje vznietenia mimo spotrebiča,
- Miestnosť niekoľko minút dôkladne vyvetrajte,
- Kontaktujte zákaznícky servis.
- **VAROVANIE:** Nepoš kodťte zástrčku ani napájací kábel. Mohlo by dôjsť k zásahu elektrickým prúdom alebo požiaru.
- **VAROVANIE:** Nepoužívajte viacnásobné prenosné zásuvky ani prenosné napájacie káble. Neodporúčame používanie predlžovacích káblov a viaccestných adaptérov.
- Na vrchnú časť spotrebiča si nesadajte ani nestúpajte. Mohli by ste sa zraniť alebo poš kodiť spotrebič. Tento spotrebič nie je určený na stohovanie s akýmikol'vek inými spotrebičmi.
- Výrobok je navrhnutý a skonš truovaný iba na používanie v domácnosti
- Môžu sa používať iba originálne diely dodávané výrobcom. Výrobca zaručuje, že iba tieto diely vyhovujú bezpečnostným požiadavkám.
- Otváranie dverí na dlhš í čas môže spôsobiť značné zvýš enie teploty v priehradkách spotrebiča
- Pravidelne čistite povrchy, ktoré môžu prísť do kontaktu s potravinami aj prístupné drenážne systémy
- Nádrž na čistú vodu vyčistite, ak sa nepoužívala počas 48 hodín; prepláchnite systém vody napojený na prívod vody, ak sa voda nečerpala v priebehu 5 dní
- Surové mäso a ryby uchovávajte v chladničke vo vhodných nádobách tak, aby neboli v kontakte s inými potravinami alebo aby na ne nekvapkali
- Priehradky na mrazené potraviny s dvomi hviezdčkami (ak sa v spotrebiči nachádzajú) sú vhodné na uchovávanie predmrazených potravín, uchovávanie alebo tvorbu zmrzliny a tvorbu ľadových kociek
- Jedno-, dvoj- a trojhviezdičkové priehradky (ak sa v spotrebiči nachádzajú) nie sú vhodné na mrazenie čerstvých potravín
- Ak sa spotrebič ponechá dlhš ie obdobie prázdny, vypnite, odmrazte, vyčistite, osuš te ho a nechajte otvorené dvierka, aby sa prediš lo tvorbe plesne v spotrebiči
- V prípade spotrebičov na uchovávanie vína: tento spotrebič je určený výlučne na uchovávanie vína
- V prípade voľne stojaceho spotrebiča: tento chladiaci spotrebič nie je určený na použitie ako vstavaný spotrebič
- V prípade spotrebičov bez š tvorhviezdičkového oddelenia: tento chladiaci spotrebič nie je vhodný na mrazenie potravín

Likvidácia starých spotrebičov



Toto zariadenie je označené podľa európskej smernice 2012/19/EÚ o odpade z elektrických a elektronických zariadení (OEEZ).

OEEZ obsahuje znečisťujúce látky (ktoré môžu mať negatívny dopad na životné prostredie) a základné komponenty (ktoré je možné opätovne použiť). Je dôležité, aby sa s OEEZ manipulovalo ako so špeciálnym odpadom, aby sa odstránili a správne zlikvidovali všetky znečisťujúce látky a aby sa zhodnotili a recyklovali všetky materiály.

Jednotlivci môžu zohrávať dôležitú rolu pri zabezpečovaní toho, aby sa z OEEZ nestal problém životného prostredia; potrebné je dodržiavať niekoľko základných pravidiel:

- S OEEZ sa nesmie manipulovať ako s domovým odpadom;
- OEEZ je potrebné odovzdať v príslušných zberných strediskách spravovaných obcou alebo registrovanými spoločnosťami. V mnohých krajinách sa vykonáva vyzdvihnutie veľkého OEEZ v domácnostiach.

V mnohých krajinách môžete pri kúpe nového spotrebiča vrátiť starý predajcovi, ktorý je povinný vyzdvihnúť ho bezplatne systémom jedného starého zariadenia za jedno nové zariadenie ekvivalentného typu a s rovnakými funkciami ako má odovzdávané zariadenie.

Zhoda

Označením tohto výrobku značkou **CE** potvrdzujeme zhodu so všetkými relevantnými európskymi bezpečnostnými, zdravotnými a environmentálnymi požiadavkami, ktoré sa v právnych predpisoch vzťahujú na tento výrobok.

Záruka

Minimálna záruka je: 2 roky pre krajiny EÚ, 3 roky pre Turecko, 1 rok pre Spojené kráľovstvo, 1 rok pre Rusko, 3 roky pre Švédsko, 2 roky pre Srbsko, 5 rokov pre Nórsko, 1 rok pre Maroko, 6 mesiacov pre Alžírsko, Tunisko nevyžaduje žiadnu právnu záruku.

Úspora energie

Ak chcete zvýšiť úsporu energie, odporúčame vám:

- Spotrebič nainštalujte ďaleko od zdrojov tepla a nevystavujte ho priamemu slnečnému žiareniu. Umiestnite ho v dobre vetranej miestnosti.
- Do spotrebiča nekladajte teplé jedlá, aby ste zabránili zvýšeniu teploty vnútri, čo by zase spôsobilo nepretržitú činnosť kompresora.
- Potraviny nekladte tesne blízko seba a okolo stien, aby sa zaistila cirkulácia vzduchu.
- Ak je vnútri spotrebiča ľad a námraza, odmrázte ho, uľahčí sa tým prechod tepla.
- V prípade výpadku elektrického napájania sa odporúča nechávať dvere chladničky zatvorené.
- Dvere otvárajte a nechávajte ich otvorené čo najkratšie.
- Vyvarujte sa nastaveniu príliš nízkej teploty.
- Odstráňte prach zo zadnej mriežky spotrebiča.

Svetelný zdroj (iba LED) vymeniteľný profesionálom

Tento výrobok obsahuje svetelný zdroj triedy energetickej účinnosti G.

POKYNY NA INŠTALÁCIU

➤ Pred použitím chladničky na víno

- Odstráňte vonkajší a vnútorný obal.
- Pred pripojením chladničky na víno k zdroju napájania ju nechajte stáť približne 2 hodiny vo vzpriamenej polohe. Zníži sa tým možnosť porúch v chladiacom systéme v dôsledku manipulácie počas prepravy.
- Vnútorný povrch umyte vlažnou vodou a mäkkou handričkou.
- Tento spotrebič je určený na použitie v domácnosti a na podobné použitia, napríklad
 - v kuchynkách pre pracovníkov v obchodoch, v kanceláriách alebo na iných pracoviskách;
 - v poľnohospodárskych domoch a miestnostiach klientov v hoteloch, motelloch a iných obytných prostrediach;
 - v objektoch na prenocoanie s raňajkami;
 - v stravovacích službách a podobných použitiach.
- Pri likvidácii spotrebiča vyberte autorizované miesto likvidácie.

➤ Inštalácia vašej chladničky na víno

- Tento spotrebič je určený na inštaláciu vo voľnom stojí alebo vstavaný (plne zapustený) (pozri umiestnenie nálepky na zadnej strane tohto spotrebiča).
- **Tento spotrebič je určený výhradne na skladovanie vína alebo nápojov.**
- Umiestnite chladničku na víno na dostatočne pevnú podlahu, aby ju po plnom naložení uniesla. Ak chcete vyrovnať chladničku na víno, nastavte prednú vyrovnávacej nohu v spodnej časti chladničky na víno.
- Tento spotrebič používa horľavé chladivo, takže počas prepravy nikdy nepoškodíte chladiace potrubia. Umiestnite chladničku na víno mimo dosahu priameho slnečného svetla a zdroja tepla (sporák, kúrenie, radiátor atď.). Priame slnečné svetlo môže ovplyvniť akrylový povlak a tepelné zdroje môžu zvýšiť spotrebu elektriny. Mimoriadne nízke teploty prostredia môžu spôsobiť aj nesprávnu prevádzku zariadenia.
- Nedávajte jednotku do vlhkých miest.
- Pripojte chladničku na víno do vyhradenej, správne uzemnenej zásuvky. Za žiadnych okolností neodrežte ani neodstraňujte tretí (uzemňovací) kolík elektrického napájacieho kábla. O všetkých otázkach o elektrickom napájaní a uzemnení sa poraďte priamo s vyškoleným elektrikárom alebo pracovníkom autorizovaného servisného strediska výrobcov danej značky.

➤ Pozor

- Skladujte víno v zapečatených fľašiach;
- Nepreplňujte skriňu;
- Neotvárajte dvere, pokiaľ to nie je potrebné;
- Nezakrývajte police hliníkovou fóliou alebo iným materiálom, ktorý by mohol brániť prúdeniu vzduchu;
- Ak je chladnička na víno dlhodobo skladovaná bez použitia, odporúča sa po starostlivom vyčistení nechať dvierka otvorené, aby mohol vzduch cirkulovať vnútri skrine, aby nedochádzalo k tvorbe kondenzácie, plesní alebo zápachu.

➤ Limitné hodnoty okolitej teploty

Tento spotrebič je navrhnutý na prevádzku pri okolitých teplotách stanovených jeho teplotnou triedou vyznačenou na menovitom štítku.





- Rozšírená mierna (SN): „tento chladiaci spotrebič je určený na používanie pri teplote okolia od 10 °C do 32 °C“
- Mierna (N): „tento chladiaci spotrebič je určený na používanie pri teplote okolia od 16 °C do 32 °C“
- Subtropická (ST): „tento chladiaci spotrebič je určený na používanie pri teplote okolia od 16 °C do 38 °C“

- Tropická (T): „tento chladiaci spotrebič je určený na používanie pri teplote okolia od 16 °C do 43 °C“



POUŽÍVANIE CHLADNIČKY NA VÍNO/CHLADNIČKY NA NÁPOJE A NASTAVENIE REGULÁCIE TEPLoty

➤ Pokyny pre ovládací systém



- **Tlačidlo „“**
Pre ovládanie zapnutia/vypnutia tohto spotrebiča (stlačte a podržte tieto tlačidlá približne 3 sekundy).
- **Tlačidlo „“**
Pre ovládanie zapnutia/vypnutia vnútorného osvetlenia.
- **Tlačidlo „“**
Nastavenie teploty hornej komory.
- **Tlačidlo „“**
Nastavenie teploty spodnej komory.
- **Okno LED displeja vľavo**
Nastavenie teploty hornej komory.
- **Okno LED displeja vpravo**
Nastavenie teploty spodnej komory.
- **kontrolka**
Kompresor na prevádzkovom displeji.

➤ Nastavenie regulácie teploty

- Po stlačení tlačidla „“ alebo „“ systém automaticky prejde do režimu nastavenia v hornej alebo spodnej priehradke. LED indikátor bude blikať a zobrazuje nastavenú teplotu. Stlačením tlačidla sa teplota zníži alebo zvýši o 1 °C . Pri prekročení minimálnej hodnoty, ktorá môže byť stanovená, automaticky preskočí na najvyššiu nastaviteľnú hodnotu teploty. Po zastavení stlačením tlačidla na 5 sekúnd LED obrázok prestane blikať, a potom sa vráti späť a zobrazí sa teplota hornej alebo spodnej priehradky
- Po odpojení jednotky sa systém vráti na súhlasnú teplotu, ktorá je nastavená v továrni. Nižšie uvedená súhlasná teplota:
Horná priehradka: 6 °C
Spodná priehradka: 12 °C
- Ak chcete zobrazíť každú vnútornú teplotu, stlačte tlačidlo „Set Upper“ (Nastaviť horný) alebo „Set Lower“ (Nastaviť dolný), LED bude blikať a zobrazí nastavenú teplotu. Po uvoľnení tlačidla na 5 sekúnd LED obrázok prestane blikať, a potom sa vráti späť a zobrazí sa skutočná teplota.

Horná priehradka: Teplotu je možné nastaviť od 5 °C do 10 °C.

Spodná priehradka: Teplotu je možné nastaviť od 10 °C do 18 °C.

➤ **Teplotný alarm**

Ak e teplota vo vnútri vyššia ako 23 °C, na displeji sa zobrazí „HI“, a po jednej hodine zaznie alarm/bzučiak. To znamená, že teplota vo vnútri je príliš vysoká. Ak je teplota vo vnútri nižšia ako 0 °C, na displeji sa zobrazí „LO“ a súčasne je aktívny indikátor poruchy a tiež aj alarmu.

➤ **Funkcia obnovenia teploty**

V prípade prerušenia napájania si chladnička na víno môže zapamätať predchádzajúce nastavenia teploty a pri obnovení napájania sa teplota chladničky vráti na rovnakú nastavenú teplotu ako pri vypnutí napájania.

➤ **Vnútorné osvetlenie**

Aby sa znížila spotreba energie, v tejto vinotéke sa automaticky vypne LED osvetlenie po 10 minútach.

Ak chcete, aby LED osvetlenie nepretržite svietilo, je to možné. Stlačte a podržte tlačidlo „LIGHT“ (OSVETLENIE) po dobu 5 sekúnd, na displeji sa zobrazí „LP“. Po 4 sekundách sa displej vráti do normálu a osvetlenie zostane rozsvietené, kým sa ručne nevypne.

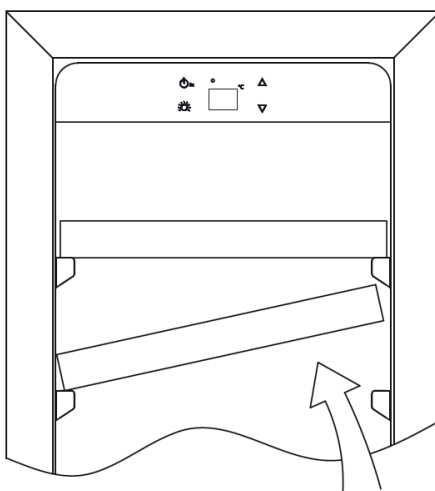
Ak sa chcete vrátiť k pôvodnému nastaveniu a šetriť energiu (odporúčané), stlačte a podržte tlačidlo „LIGHT“ (OSVETLENIE) po dobu 5 sekúnd, na displeji sa zobrazí „LF“, po 4 sekundách sa displej vráti späť do normálu a osvetlenie sa automaticky vypne po 10 minútach.

➤ **Police**

- Aby nedošlo k poškodeniu tesnenia dvierok, uistite sa, že sú pri vyťahovaní políc z priestoru koľajnice dvierka úplne otvorené.
- Pre ľahký prístup k uloženému obsahu je nutné vytriahnuť police približne o 1/3 z priestoru koľajnice, ale táto jednotka bola navrhnutá so zárezom na oboch stranách koľají pre police, aby sa zabránilo pádu fliaš.
- Ak chcete pri vyberaní ktorejkoľvek z týchto políc z priestoru koľajnice vložiť alebo vybrať policu, nakloňte policu podľa schémy a jednoducho ju vytriahnite alebo zatlačte, kým sa bezpečne neuloží na podperné konzoly.

➤ **POZNÁMKA:**

- Ak je jednotka odpojená, dôjde k strate alebo vypnutiu napájania, musíte pred reštartovaním vyčkať 3 až 5 minút. Ak sa pokúsíte o reštart pred týmto oneskorením, chladnička na víno/chladnička na nápoje sa nespustí.
- Pri prvom použití chladničky na víno/chladničky na nápoje alebo reštartovaní chladničky na víno/chladničky na nápoje po dlhom vypnutí môže dôjsť k niekoľkým stupňom rozdielu medzi vami zvolenou teplotou a teplotou uvedenou na LED indikátore. To je bežné a je to kvôli dĺžke aktivačnej doby. Len čo bude chladnička na víno/chladnička na nápoje niekoľko hodín v prevádzke, všetko sa vráti do normálu.



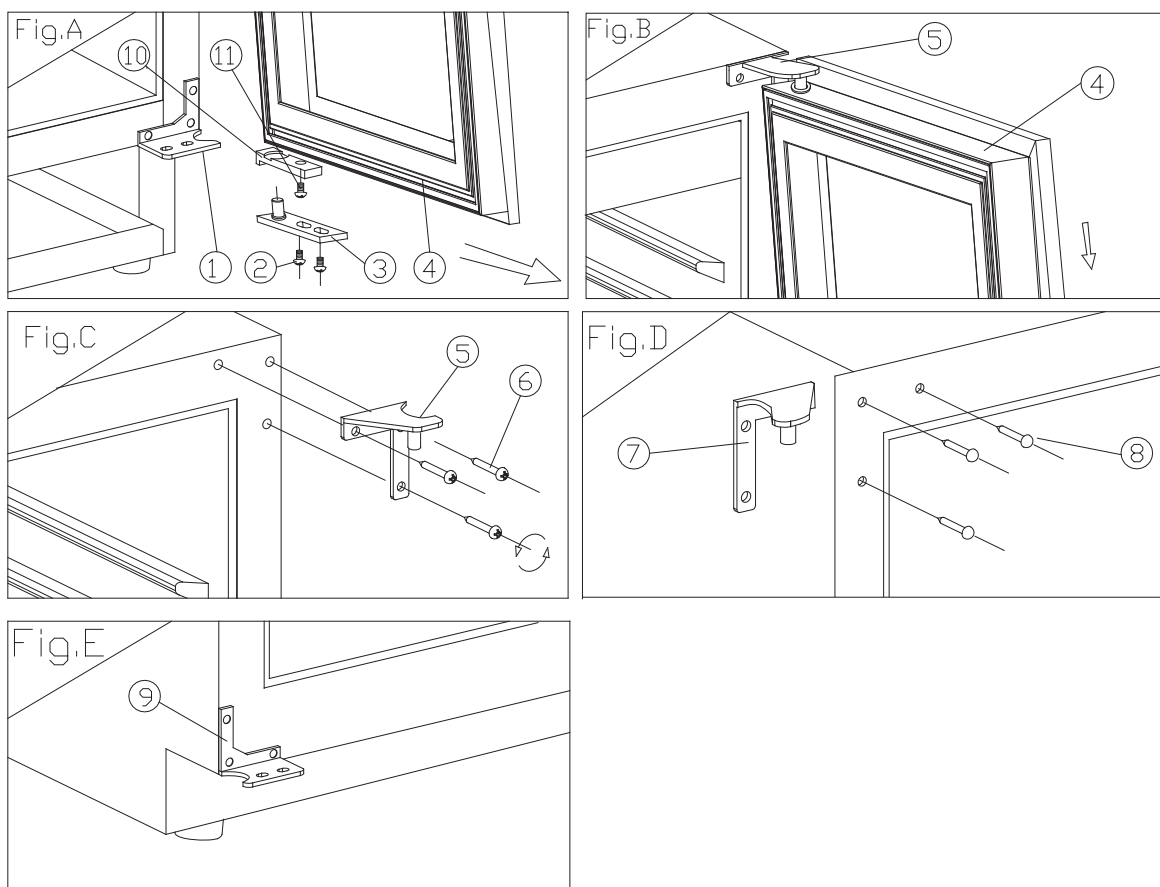
➤ Ako zmeniť otváranie dverok

Tento spotrebič má reverzibilné dvierka, ale dodáva sa s dvierkami zavesenými vpravo. Súprava ľavého závesu je dodávaná s jednotkou (v krabici), ak chcete zmeniť stranu závesu na jednotku.

Typ A (pre dvere zo skla / nerezovej ocele)

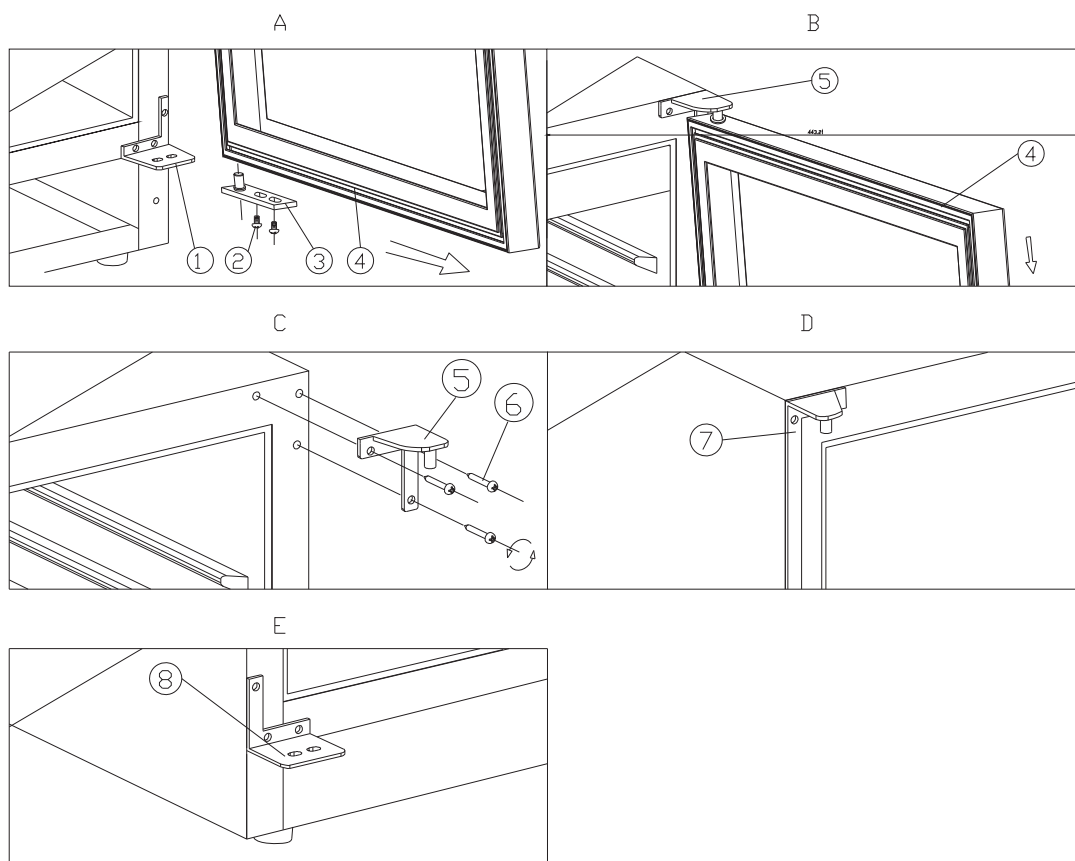
- | | | |
|-------------------------|------------------------|------------------------|
| 1. Spodný záves (pravý) | 2. Skrutky | 3. Vonkajšia os |
| 4. Dvierka | 5. Horný záves (pravý) | 6. Skrutky závesov |
| 7. Horný záves (ľavý) | 8. Kryt otvoru | 9. Spodný záves (ľavý) |
| 10. Obmedzovač dverok | 11. Skrutka | |

1. Otvorte dvierka pod uhlom 90 stupňov, vyberte 2 skrutky (2) z osi spodných dverok (3), vyberte dvierka (4), vyberte osovú doštičku (3) zo dverok, (obr. A).
2. Odskrutkujte skrutku (11) umiestnenú pod rámom dverok a obmedzovačom (10) a premiestnite ju na ľavú stranu rámu dverok. (obr. A/B)
3. Vyberte 3 skrutky závesu (6) z horného závesu (pravý) (5) a vyberte ho. (obr. C)
4. Odstráňte ozdoby (8) z ľavého horného okraja skrine a namontujte náhradný horný záves (ľavý) (7) v ľavom hornom okraji skrine pomocou 3 skrutiek. (obr. D)
5. Podľa vyššie uvedeného postupu nainštalujte naľavo náhradný spodný záves (9). (obr. E)
6. Nainštalujte a zarovnajte dvierka.
7. Vložte plastové uzávery, aby ste zakryli otvory (8).



Typ B (pre štíhle dvere z nehrdzavejúcej ocele)

- | | | |
|--------------------------------|-------------------------------|---------------------|
| 1 Spodný záves (vpravo) | 2 Skrutky | 3 Os dvierok |
| 4 Dvierka | 5 Horný záves (vpravo) | 6 Skrutky |
| 7 Horný záves (vľavo) | 8 Spodný záves (vľavo) | |

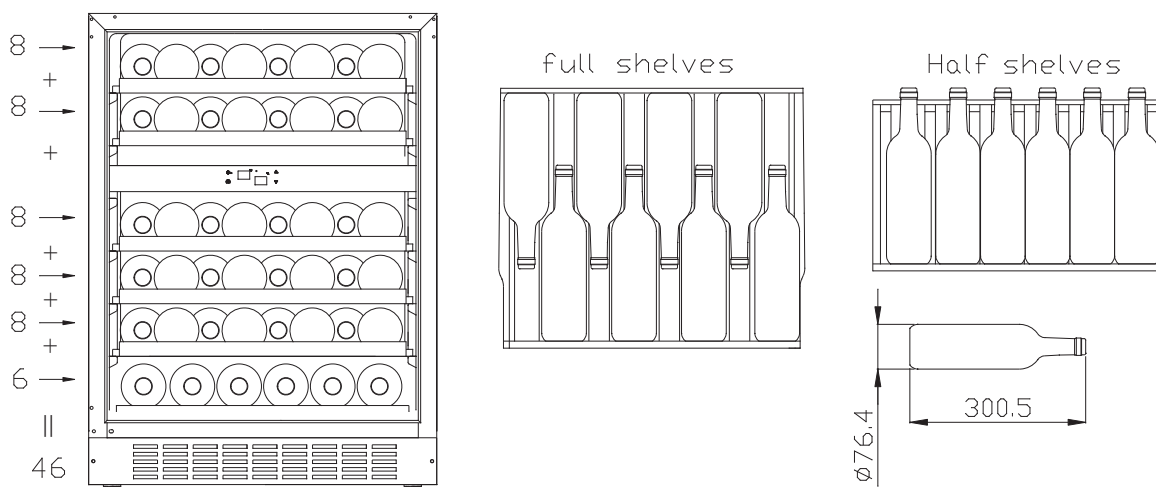


1. Demontujte 2 skrutky (2), potom vytiahnite dvierka (4) podľa smeru šípky a dolný záves (vpravo) (1), rovnako aj pri montáži. (Obr. A a obr. B)
2. Demontujte 3 skrutky (6) pravého horného závesu, potom odstráňte pravý horný (5) a pravý dolný záves (1). (Pozrite si obr. C)
3. Pomocou skrutiek, ktoré ste odstránili z pravých bočných závesov, upevnite ľavé horné a spodné závesy (7) (8). (Pozrite si obr. D a obr. E)
4. Otočte dvierka o 180 stupňov, a potom ich namontujte opačným spôsobom ako pri demontáži.

➤ **Schéma uloženia**

V závislosti od aktuálnej konfigurácie vášho produktu skontrolujte príslušnú schému uloženia.

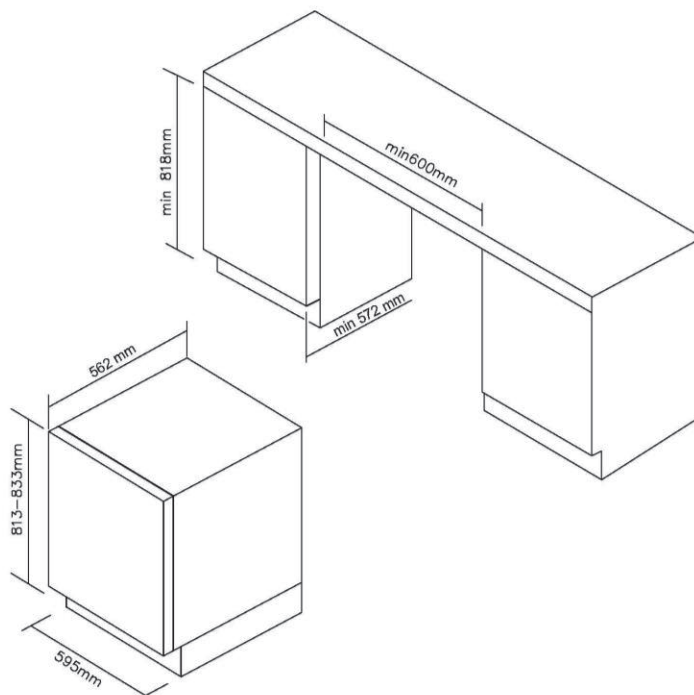
Spolu: 46 fliaš (max.)



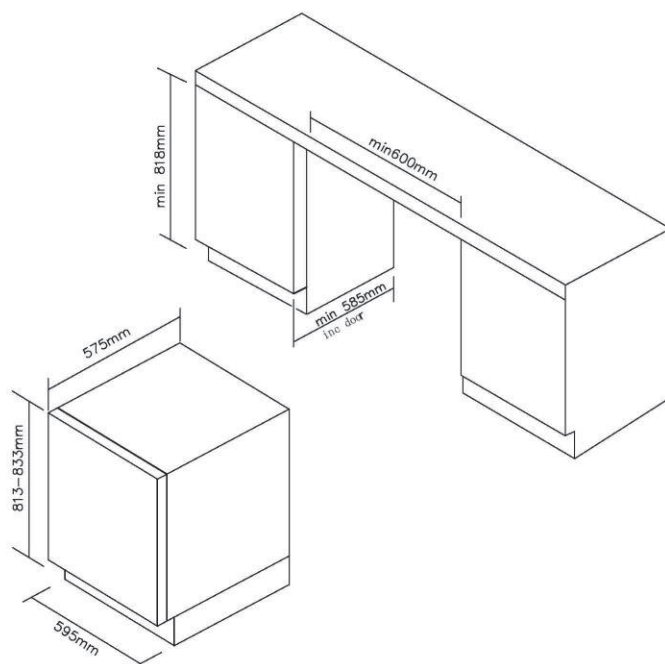
Najúspornejšia konfigurácia si vyžaduje, aby boli poličky umiestnené vo výrobku, pozrite si vyššie uvedené obrázky.

➤ **Špecifikácie inštalácie pre zabudovanie**

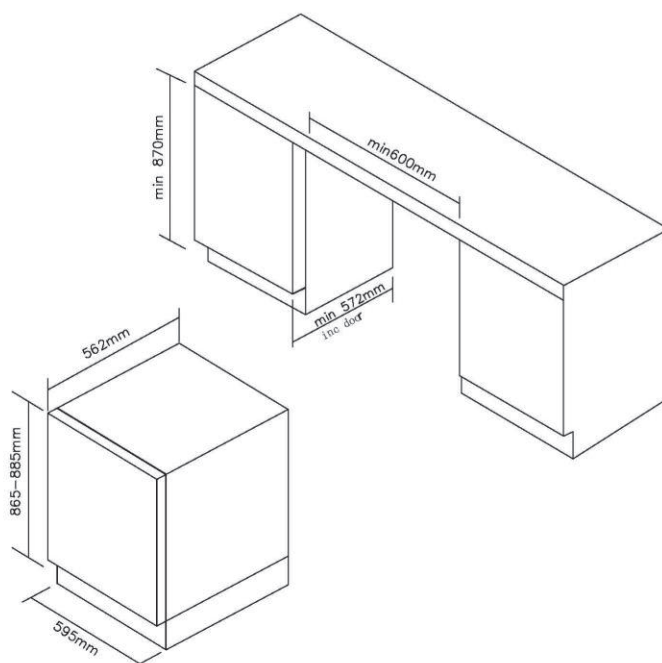
Pre výšku 813 mm s celosklenými alebo nerezovými dverami



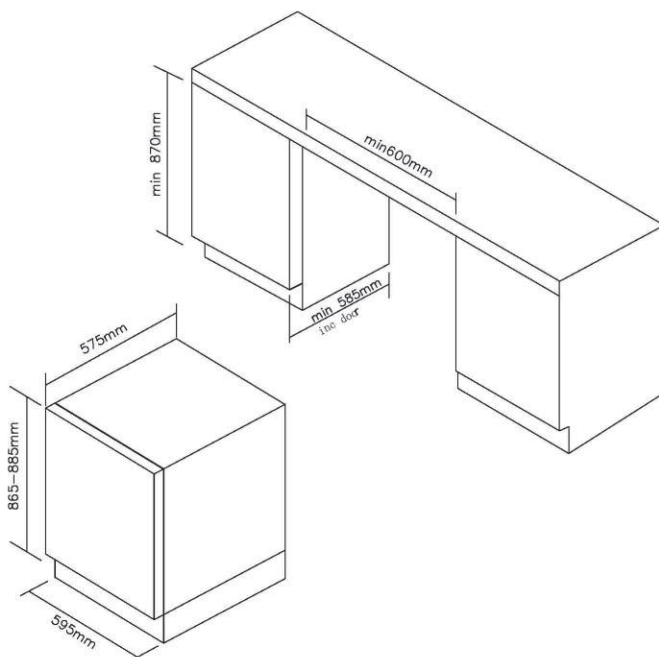
Pre výšku 813 mm s celosklenými alebo nerezovými dverami



Pre výšku 865 mm s celosklenými alebo nerezovými dverami



Pre výšku 865 mm s úzkymi dvierkami z nehrdzavejúcej ocele



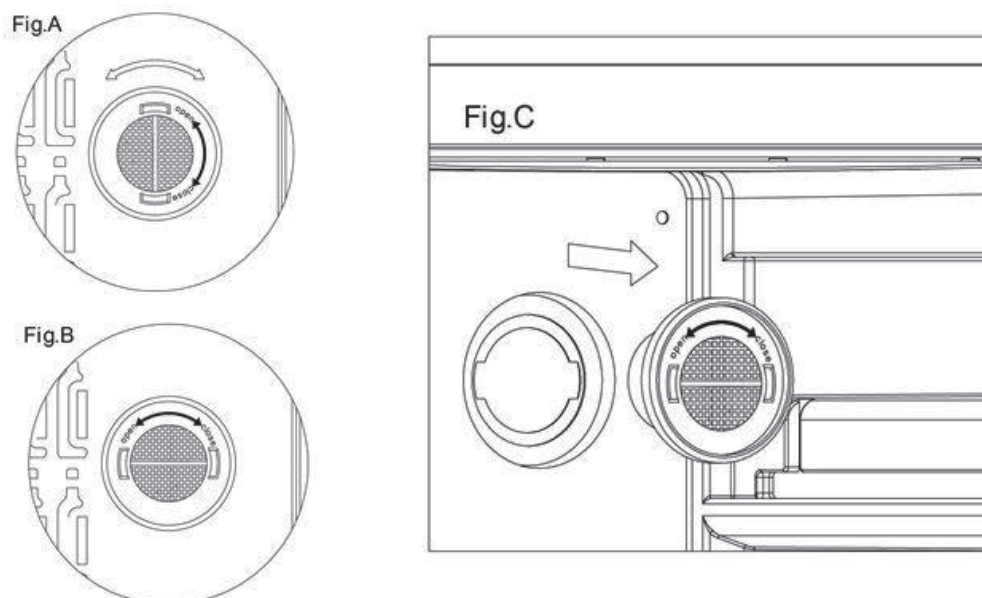
STAROSTLIVOSŤ A ÚDRŽBA

➤ Čistenie chladničky na víno

- Vypnite napájanie, odpojte spotrebič a odstráňte všetky položky, vrátane políc a stojanu.
- Vnútorne povrchy umyte roztokom teplej vody s jedlou sódou. Pre vytvorenie roztoku rozpustíte 2 polievkové lyžice v jednom litri vody.
- Police umyte jemným roztokom čistiaceho prostriedku.
- Pri čistení oblasti ovládacích prvkov alebo akýchkoľvek elektrických častí odstráňte prebytočnú vodu z huby alebo handričky.
- Vonkajší povrch umyte teplou vodou a jemným tekutým čistiacim prostriedkom. Dobre opláchnite a utrite do sucha čistou mäkkou handričkou.

➤ **Ako vymeniť uhlíkový filter**

- Uhlíkové filtre sú umiestnené v pravý hornom rohu každej zóny vinotéky.
- Otvorte dverka a vyberte 2 horné police (pozrite si demontáž políc).
- Otočte filter podľa obr. A.
- Podľa obr. B by mal byť filter zarovnaný so zárezmi, ako je znázornené na obrázku.
- Vytiahnite filter (obr. C).
- Vložte náhradný filter a otočte ho podľa obr. A, aby sa zaistil.
- Vložte police naspäť.



➤ **Prerušenie elektrického napájania**

- Väčšina výpadkov napájania je vyriešená v priebehu niekoľkých hodín a nemala by ovplyvniť teplotu spotrebiča, ak minimalizujete počet otvorení dveriek. Ak sa elektrické napájanie preruší na dlhšie, bude potrebné urobiť správne kroky na ochranu obsahu chladničky.

➤ **Obdobie dovolenky**

- **Krátka dovolenka:** Počas dovolenky kratšej ako tri týždne nechajte chladničku na víno v prevádzke.
- **Dlhá dovolenka:** Ak sa spotrebič nebude používať niekoľko mesiacov, odstráňte všetky položky a vypnite ho. Vnútro dôkladne vyčistite a vysušte. Aby ste zabránili vzniku zápachu a plesní, nechajte dverka mierne otvorené: v prípade potreby ich zablokujte otvorené.

➤ **Premiestnenie chladničky na víno**

- Vyberte všetky položky.
- Upevnite starostlivo všetky voľné diely (police) vo vnútri spotrebiča.
- Nastaviteľnú nohu otočte nahor k základni, aby nedošlo k poškodeniu.
- Zaistite dverka páskou.
- Počas prepravy zaistite, aby spotrebič zostal vo vzpriamenej polohe. Chráňte tiež vonkajší povrch spotrebiča prikrývkou alebo podobným predmetom.

➤ **Tipy na úsporu energie**

- Chladnička na víno by mala byť umiestnená v najchladnejšej časti miestnosti, mimo dosahu spotrebičov produkujúcich teplo a mimo priameho slnečného svetla.

PROBLÉMY S CHLADNIČKOU NA VÍNO/CHLADNIČKOU NA NÁPOJE?

Mnoho bežných problémov s chladničkou na víno/chladničkou na nápoje môžete ľahko vyriešiť, čím ušetríte náklady na možný servisný hovor. Postupujte podľa odporúčaní nižšie, aby ste videli, či problém nedokážete vyriešiť aj bez volania servisného technika.

RIEŠENIE PROBLÉMOV:

PROBLÉM	MOŽNÉ PRÍČINY
Chladnička na víno/chladnička na nápoje nefunguje.	Nie je zapojená do elektrickej siete. Spotrebič je vypnutý. Vypadnutý istič alebo spálená poistka.
V chladničke na víno/chladničke na nápoje nie je dostatočný chlad.	Skontrolujte nastavenie regulácie teploty. Vonkajšie prostredie si môže vyžadovať vyššie nastavenie. Otvárali ste príliš často dvere. Dvere nie sú úplne zatvorené. Tesnenie dverí nedosadá správne.
Často sa zapína a vypína.	Teplota v miestnosti je vyššia ako bežne. Do chladničky na víno/chladničky na nápoje bolo pridané veľké množstvo obsahu. Otvárali ste príliš často dvere. Dvere nie sú úplne zatvorené. Ovládač teploty nie je nastavený správne. Tesnenie dverí nedosadá správne.
Nesvieti svetlo.	Nie je zapojená do elektrickej siete. Vypadnutý istič alebo spálená poistka. Vypálila sa žiarovka. Tlačidlo osvetlenia je „VYPNUTÉ“.
Vibrácie.	Skontrolujte, či je chladnička na víno/chladnička na nápoje vyrovnaná.
Zdá sa, že chladnička na víno/chladnička na nápoje vydáva príliš veľký hluk.	Klokotanie môže byť spôsobené prúdením chladiva, čo je normálne. Po ukončení každého cyklu môžete počuť bublanie spôsobené prietokom chladiva v chladničke na víno/chladničke na nápoje. Kontrakcia a expanzia vnútri stien môže spôsobiť praskanie a pukanie. Chladnička na víno/chladnička na nápoje nie je vyrovnaná.
Dvere nie sú správne zatvorené.	Chladnička na víno/chladnička na nápoje nie je vyrovnaná. Dvierka bola obrátené a nebola správne nainštalované. Tesnenia sú špinavé. Police sú vysunuté zo svojho miesta.

Ak chcete kontaktovať technickú pomoc, navštívte našu webovú stránku: <https://corporate.haier-europe.com/en/>. V sekcii „webová stránka“ vyberte značku vášho produktu a vašu krajinu. Budete presmerovaní na konkrétnu webovú stránku, kde nájdete telefónne číslo a formulár na kontaktovanie technickej pomoci

➤ **Dostupnosť náhradných dielov**

- Termostaty, snímače teploty, dosky plošných spojov a svetelné zdroje, aspoň počas siedmich rokov od uvedenia posledného kusu daného modelu na trh
- Rúčky a závesy dverí, poličky a košíky aspoň počas siedmich rokov a tesnenia dverí aspoň počas 10 rokov od uvedenia posledného kusu daného modelu na trh;

Odporúčané NASTAVENIA teploty

Na skladovanie VŠETKÝCH DRUHOV VÍN **12 °C to 14 °C**

Odporúčaná TEPLOTA pitia

Šampanské neročnikové, šumivé **6 °C**

Šampanské ročnikové **10 °C**

Suchý biely Semilion, Sauvignon Blanc **8 °C**

Suchý biely Gewürztraminer, Rizling **10 °C**

Suché biele Chardonnay **10 °C**

Ročnikové Chardonnay **14 °C**

Sladké biele Sauternes Monbazillac, neskorý zber ľadového vína **10 °C**

Sladké biele ročnikové Sauternes **14 °C**

Beaujolais **13 °C**

Rulandské modré **16 °C**

Ročnikové Rulandské modré **18 °C**

Červený Cabernet, Merlot, francúzsky, austrálsky, novozélandský, čínsky, argentínsky, taliansky, španielsky, kalifornský **18 °C**

Red Grenache, Syrah **16 °C**

Ďalšie informácie o produkte nájdete na <https://eprel.ec.europa.eu/> alebo naskenujte QR na energetickom štítku dodávanom so spotrebičom.

Dansk

Tak for dit køb af dette produkt.

Før du bruger dit køleskab, skal du læse denne brugsanvisning omhyggeligt for at maksimere dets ydeevne. Gem alle dokumenter til efterfølgende brug for efterfølgende ejere. Dette produkt er udelukkende beregnet til husholdningsbrug eller lignende anvendelser såsom:

- medarbejderkøkkener i butikker, på kontorer og andre arbejdssteder
- på landbrugsbedrifter, af gæster på hoteller, moteller og andre boligmiljøer
- på bed and breakfast-steder (B & B)
- til cateringtjenester og lignende anvendelser, der ikke er beregnet til detailsalg.

Dette apparat må kun bruges til opbevaring af fødevarer, enhver anden brug anses for farlig, og producenten er ikke ansvarlig for eventuelle udeladelser. Det anbefales også, at du tager garantibetingelserne til efterretning.

SIKKERHEDSOPLYSNINGER

Læs betjenings- og installationsvejledningen omhyggeligt!

De indeholder vigtige oplysning om installation, brug og vedligeholdelse af apparatet.

Producenten er ikke ansvarlig, hvis du ikke overholder vejledningerne og advarslerne.

Behold alle dokumenter til efterfølgende brug for den næste ejer.

- **Undlad at tilslutte apparatet til lysnettet, før al emballage og transportbeskyttelse er fjernet. Hold børnene væk fra emballagen og dens dele. Der er fare for kvælning hvis de leger med pap og plastikfolie!**
- **Lad apparatet stå i mindst 4 timer, før produktet tændes for at lade kompressorolie flyde tilbage, hvis apparatet har været transporteret vandret.**
- **Sørg for, at der ikke er transportskader.**
- **Kølemiddelløbet må ikke beskadiges.**
- **Hold ventilationsåbninger i apparatets indelukke eller den indbyggede struktur fri for hindringer.**
- **Brug aldrig vand til at vaske kompressoren. Tør den grundigt af med en tør klud efter rengøring for at forhindre rust.**
- **Vær altid to personer om at håndtere apparatet, da det er tungt.**
- **Installer og niveller apparatet på et område, der er egnet til dets størrelse og brug.**
- **Kontroller, at de elektriske oplysninger på mærkepladen passer til strømforsyningen. Hvis ikke, skal du kontakte en elektriker.**
- **Apparatet drives af et lysnet på 220-240 VAC/50 Hz. Unormale spændingsafvigelser kan gøre, at apparatet ikke starter, eller det tager skade på temperaturstyringen eller kompressoren under drift. I sådanne tilfælde skal der monteres en automatisk regulator.**
- **Kun til Storbritannien: Apparatets lysnetledning er monteret med et stik til 3 ledninger (med jord), der passer til et standard 3-ledet stik (med jord).**

Det tredje ben (jordforbindelsen) må aldrig klippes af. Når apparatet er installeret, skal stikket være let at komme til.

- Sørg for, at netledningen ikke sidder fast under apparatet under og efter løft/flytning af apparatet, for at undgå, at netledningen bliver skåret over eller beskadiget. Hvis strømledningen er beskadiget, skal den udskiftes af producenten, dennes serviceagent eller lignende kvalificeret fagperson for at undgå fare.
- Apparatet må ikke installeres på fugtige, fedtede eller støvede steder eller udsættes for direkte sollys og vand.
- Apparatet må ikke installeres i nærheden af varmeapparater eller brændbare materialer.
- **FOR** apparater med en frostboks: I tilfælde af strømsvigt må låget ikke åbnes. Det går ikke ud over fødevarer, hvis strømsvigtet varer mindre end de antal timer, der angives på mærkepladen (Temperaturstigningstid). Hvis strømsvigtet varer længere, skal fødevarerne kontrolleres og spises med det samme eller tilberedes og derefter indfryses igen.
- Hvis du synes, at apparatets låg er vanskeligt at åbne, når det lige har været åbnet, er der ikke grund til bekymring. Dette skyldes trykforskellen, der bliver udlignet og lader låget bliver åbnet normalt efter få minutter.
- Undlad at opbevare medicin, bakterier eller kemikalier i apparatet. Dette apparat er et husholdningsapparat, og det anbefales ikke til opbevaring af materialer, der kræver nøjagtige temperaturer.
- Træk eller fold ikke ledningen for meget eller rør ikke ved stikket med våde hænder.
- Undlad at opbevare produkter, der indeholder brændbare drivgasser (f.eks. Spraydåser) eller eksplosive stoffer i apparatet. Risiko for eksplosion!
- Undlad at placere ustabile varer (tunge genstande, beholdere med vand) oven på køleskabet og at undgå personskader som følge af fald eller elektrisk stød, som skyldes kontakt med vand.
- Brug ikke elektriske apparater indeni madopbevaringsrummene, medmindre de er af den type, som producenten anbefaler.
- Rør ikke ved de indvendige køleelementer, især ikke med våde hænder, for at undgå revner eller skader.
- I denne risikozone drejer det sig om børn, personer med begrænsede fysiske, mentale eller følelsesmæssige evner, samt personer med utilstrækkelig viden om sikker betjening af apparatet.
- Kontroller, at børn og mentalt udfordrede personer har forstået farerne. En sikkerhedsansvarlig person skal holde opsyn med børn og mentalt

udfordrede brugere af apparatet eller instruere dem i brugen. Kun børn på 8 år og ældre må bruge apparatet.

- **Børnene må ikke lege med apparatet.**
- **Børn i alderen 3 til 8 år har lov til at sætte ting i og tage dem ud af apparatet.**
- **Apparater med et fryserum: Undlad at opbevare væsker i flasker eller dåser (især drikke med kulsyre) i fryserummet. Flasker eller dåser kan sprænges!**
- **Apparater med et fryserum: Put aldrig frosset mad direkte fra fryserummet i munden. Risiko for forfrysninger!**
- **Hold plastikdelene og lågens tætningsliste fri for olie og fedt. Ellers bliver plastikdelene og tætningslisten porøse.**
- **Træk stikket ud af stikkontakten, før du udfører noget indgreb på apparatet.**
- **Brug ikke mekaniske enheder eller andre metoder til at fremme afrimningsprocessen, andre end de af producenten anbefalede.**
- **Brug ikke spidse eller skarpe genstande såsom knive eller gafler til at fjerne rimen.**
- **Brug aldrig hårtørrere, elektriske varmeapparater eller andre sådanne elektriske apparater til afrimning.**
- **Det anbefales at holde stikket rent, eventuelt ophobet støv på stikket kan forårsage brand.**
- **Prøv ikke selv at reparere, adskille eller ændre apparatet. Kontakt altid vores kundeservice ved behov for reparation.**
- **Hold øje med børnene, mens apparatet bliver rengjort eller vedligeholdt.**
- **Undlad at rense de kolde glashylder i varmt vand.**
Pludselige temperaturændringer kan få glasset til at knække.
- **ADVARSEL: Rørene i kølekredsen cirkulerer en lille mængde miljøvenlig men brandfarligt kølemiddel (R600a) og isoleringsgas (cyclopentan). Det beskadiger ikke ozonlaget og bidrager ikke til drivhuseffekten. Hvis der slipper kølemiddel ud, kan det skade øjnene eller antænde.**
- **Hvis kølekredsen bliver beskadiget:**
 - **Sluk for apparatet, og træk stikket ud,**
 - **Hold apparatet borte fra åben ild og antændingskilder,**
 - **Udluft rummet grundigt i flere minutter,**
 - **Informer kundeservice.**
- **ADVARSEL: Undlad at beskadige stikket eller lysnetledningen. Dette kunne medføre elektrisk stød eller brand.**
- **ADVARSEL: Brug ikke flere forgrenere eller bærbare strømforsyninger. Vi fraråder brugen af forlængerledninger og adaptere med flere stik.**

- **Forsøg ikke at sidde eller stå oven på apparatet. Du kan skade dig selv eller apparatet. Dette apparat er ikke designet til at blive stablet med andre i en hvidevaresøjle.**
- **Produktet er designet og bygget udelukkende til husholdningsbrug.**
- **Der må kun bruges originale dele fra producenten. Producenten garanterer, at kun disse dele opfylder sikkerhedskravene.**
- **Åbning af lågen i længere tid kan medføre en væsentlig temperaturstigning i køleskabet.**
 - **Rengør regelmæssigt de overflader, der kan komme i kontakt med madvarer, og de tilgængelige afløbssystemer.**
 - **Rengør vandbeholderne, hvis de ikke er blevet brugt i 48 timer. Skyl det vandsystem, der er forbundet med vandforsyningen, hvis der ikke er brugt vand i 5 dage.**
 - **Opbevar ferskt kød og fisk i egnede fader eller bokse i køleskabet, så de ikke drypper på eller er i kontakt med andre fødevarer.**
 - **Tostjernede rum til frosne fødevarer (hvis de forefindes) er egnede til opbevaring af færdigfrosne fødevarer, opbevaring eller fremstilling af is og isterninger.**
 - **En-, to- og tre-stjernede rum, hvis de findes i apparatet, er ikke egnede til nedfrysning af friske fødevarer.**
 - **Hvis apparatet efterlades tomt i længere tid, skal det slukkes, afrimes, rengøres, tørres og efterlades med lågen åbnet, så der ikke opstår mug i apparatet.**
- **TIL vinkøleskabe: Dette apparat er udelukkende beregnet til opbevaring af vin**
- **TIL fritstående apparater: Dette køleskab er ikke beregnet til indbygning**
- **TIL apparater uden et fire-stjernet rum: Dette køleskab er ikke egnet til frysning af fødevarer**

Skrotning af gamle apparater



Dette apparat er mærket i overensstemmelse med det europæiske direktiv 2012/19/EU vedrørende bortskaffelse af elektrisk og elektronisk udstyr (WEEE).

WEEE indeholder både forurenende stoffer (som kan have negative konsekvenser for miljøet) og grundlæggende komponenter (som kan genbruges). Det er vigtigt, at WEEE underkastes specifikke behandlinger for at fjerne og bortskaffe alle forurenende stoffer korrekt og nyttiggøre og genanvende alle materialer.

Enkeltpersoner kan spille en vigtig rolle for at sikre, at WEEE-udstyr ikke bliver et miljøproblem.

Det er vigtigt at følge nogle få grundlæggende regler:

- WEEE bør ikke behandles som husholdningsaffald.
- WEEE bør afleveres til de relevante indsamlingssteder, der forvaltes af kommunen eller af registrerede virksomheder. I mange lande er der husstandsindsamling af WEEE.

Når du køber et nyt apparat, kan det gamle i mange lande returneres til forhandleren, som skal modtage det uden beregning, så længe apparatet er af samme type og har samme funktioner som det købte.

Overensstemmelse

Når vi sætter **CE** mærket på dette produkt, så bekræfter vi overensstemmelse med alle relevante europæiske lovmæssige krav i forbindelse med sikkerhed, sundhed og miljø, der gælder for dette produkt.

Garanti

Minimumsgarantien er: 2 år for EU-lande, 3 år for Tyrkiet, 1 år for Storbritannien, 1 år for Rusland, 3 år for Sverige, 2 år for Serbien, 5 år for Norge, 1 år for Marokko, 6 måneder for Algeriet, Tunesien kræver ingen juridisk garanti.

Energibesparelse

For bedre energibesparelser foreslår vi, at der gøres følgende:

- Installer apparatet væk fra varmekilder og ikke udsat for direkte sollys og i et godt ventileret rum.
- Undgå at sætte varm mad i køleskabet for at undgå at øge temperaturen inde i det og dermed få kompressoren til at køre konstant.
- Undlad at komme for mange fødevarer i for at sikre korrekt luftcirkulation.
- Afrim apparatet, hvis der er dannet is, for at lette overførslen af kulde.
- I tilfælde af strømafbrydelse, er det tilrådeligt at holde køleskabslågen lukket.
- Åbn eller hold lågerne på apparatet åbne så lidt som muligt
- Undgå at justere indstillingen til for lave temperaturer.
- Fjern støv på bagsiden af apparatet

Lyskilde (LED kan kun udskiftes af en professionel)
Dette produkt indeholder en lyskilde med energieffektivitet i klasse G

INSTALLATIONSVEJLEDNING

➤ Inden du bruger vinkøleren

- Fjern den udvendige og indvendige emballage.
- Før vinkøleren tilsluttes strømkilden, skal den stå oprejst i cirka 2 timer. Dette vil reducere muligheden for en funktionsfejl i kølesystemet fra håndtering under transport.
- Rengør den indvendige overflade med lunkent vand med en blød klud.
- Når du bortskaffer dit apparat, skal du vælge et autoriseret bortskaffelsessted.

➤ Installation af vinkøleren

- Dette apparat er designet til fritstående installation eller indbygget (helt forsænket) (se mærkatets placering på bagsiden af dette apparat).
- Dette apparat er udelukkende beregnet til opbevaring af vin eller drikkevarer.
- Placer vinkøleren på et gulv, der er stærkt nok til at støtte den, når den er fyldt helt op. Du nivellerer din vinkøler skal du justere det forreste nivelleringsben i bunden af vinkøleren.
- Dette apparat bruger brændbart kølemiddel. Så beskadig aldrig kølerørene under transporten. Placer vinkøleren væk fra direkte sollys og varmekilder (komfur, varmelegeme, radiator osv.). Direkte sollys kan påvirke akrylbelægningen, og varmekilder kan øge el-forbruget. Ekstremt kolde omgivelsestemperaturer kan også medføre, at apparatet ikke fungerer korrekt.
- Undgå at placere enheden i fugtige områder.
- Slut vinkøleren til en særskilt korrekt installeret jordet stikkontakt. Skær eller fjern under ingen omstændigheder den tredje (jord) stift fra netledningen. Spørgsmål vedrørende strøm og/eller jordforbindelse skal rettes til en autoriseret elektriker eller et autoriseret produktservicecenter.

➤ Obs.

- Opbevar vin i lukkede flasker.
- Overbelast ikke kabinettet.
- Åbn ikke lågen, medmindre det er nødvendigt.
- Tildæk ikke hylder med aluminiumsfolie eller andet hyldemateriale, som kan forhindre luftcirkulation.
- Skal vinkøleren opbevares uden brug i længere perioder, foreslås det, efter en omhyggelig rengøring, at lade lågen stå på klem, så luften kan cirkulere inde i skabet for at undgå mulige dannelser af kondens, skimmelsvamp eller lugt.

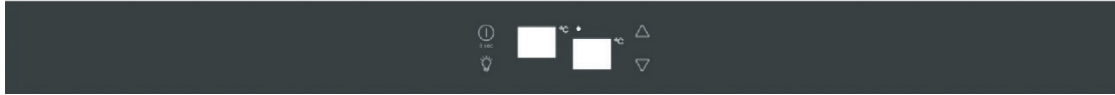
➤ Grænser for omgivende rumtemperatur


Dette apparat er designet til at fungere i omgivelsestemperaturer, der er specificeret af dets temperaturklasse, som er angivet på typeskiltet.

- udvidet tempereret (SN): 'dette køleskab er beregnet til brug ved omgivelsestemperaturer i området fra 10°C til 32°C'.
- tempereret (N): 'dette køleskab er beregnet til brug ved omgivelsestemperaturer i området fra 16°C til 32°C'.
- subtropisk (ST): 'dette køleskab er beregnet til brug ved omgivelsestemperaturer i området fra 16°C til 38°C'.



BETJENING AF DIN VINKØLER/DRIKKEVAREKØLER OG INDSTILLING AF TEMPERATURKONTROLLEN

➤ Vejledning i betjeningssystemet



- **""-knap**
Tænd/sluk for at styre dette apparat (tryk og hold denne knap nede i ca. 3 sekunder).
- **""-knap**
Tænd/sluk det indvendige lys.
- **""-knap**
Sådan indstilles temperaturen i det øverste rum.
- **""-knap**
Sådan indstilles temperaturen i det nederste rum.
- **LED display vindue til venstre**
Sådan indstilles temperaturen i det øverste rum.
- **LED display vindue til højre**
Sådan indstilles temperaturen i det nederste rum.
- **Indikatorlampe**
Viser, at kompressoren er i drift.

➤ Indstilling af temperaturkontrol

- Når du trykker på " "eller"  "-knappen, vil systemet automatisk gå i opsætningstilstand i det øverste eller nederste rum. LED'en blinker og viser den indstillede temperatur. Tryk én gang på knappen, temperaturen vil falde eller stige 1°C. Når den minimumsværdi, der kan etableres, overskrides, springer den automatisk til den højeste justerbare temperaturværdi. Når der ikke er trykket på knappen i 5 sekunder, stopper LED-tallet med at blinke og vender derefter tilbage for at vise temperaturen i det øverste eller nederste rum.
- Når enheden er taget ud af stikkontakten, vil systemet vende tilbage til den temperatur, som er indstillet fra fabrikken. Den indstillede temperatur er som nedenfor:
 - Øverste rum: 6°C
 - Nederste rum: 12°C
- Hvis du ønsker at vise hver indendørs indstillingstemperatur, skal du trykke på " Indstil øverste" eller " Indstil nederste" knappen, LED'en vil blinke og vise den indstillede temperatur. Når der ikke er trykket på knappen i 5 sekunder, stopper LED-tallet med at blinke, og vender derefter tilbage for at vise den faktiske temperatur.
Øverste rum: Temperaturindstillingen kan justeres fra 5°C til 10°C.
Nederste rum: Temperaturindstillingen kan justeres fra 10°C til 18°C.

➤ **Temperaturalarm**

Hvis den indvendige temperatur er højere end 23°C, vil den vise "HI" på displaypanelet, og efter en time efter lyder alarmen/brummen. Dette viser, at den indvendige temperatur er for høj. Hvis den indvendige temperatur er lavere end 0°C, vil den vise "LO" på displaypanelet, og samtidig er alarmen for funktionsfejl også aktiv

➤ **Funktion til temperaturhukommelse**

I tilfælde af strømafbrydelse kan vinkøleren huske de tidligere temperaturindstillinger, og når strømmen er genoprettet, vil kølertemperaturen gå tilbage til samme indstillingstemperatur som før strømmen forsvandt.

➤ **Indvendigt lys**

For at reducere energiforbruget slukker dette vinskab automatisk LED-lyset efter 10 minutter.

Hvis du ønsker at LED-lyset skal forblive tændt konstant, er dette muligt. Tryk og hold knappen "LYS" nede i 5 sekunder, displayet vil vise "LP". Efter 4 sekunder vender displayet tilbage til det normale, og lyset forbliver tændt, indtil det slukkes manuelt.

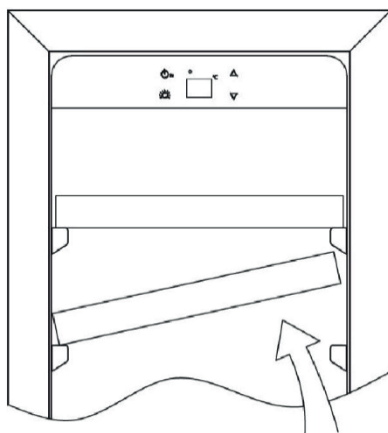
Hvis du vil vende tilbage og spare energi (anbefales), skal du trykke og holde knappen "LIGHT" nede i 5 sekunder, displayet vil vise "LF", efter 4 sekunder vender displayet tilbage til det normale, og lyset vil automatisk slukke efter 10 minutter.

➤ **Hylde**

- For at undgå at beskadige dørpakningen skal du sørge for at have lågen helt åben, når du trækker hylde ud af skinnerummet.
- For nem adgang til det opbevarede indhold skal du trække hylde cirka 1/3 ud af skinnerummet, men denne enhed er designet med et hak på hver side af hylde-sporene for at forhindre flasker i at falde ud.
- Du kan tage nogen af disse hylde ud af skinnerummet. For at montere eller fjerne hylde skal du vippe hylde som vist i diagrammet og blot trække ud eller skubbe hylde ind, indtil den sidder sikkert på støttebeslagene.

➤ **BEMÆRK:**

- Hvis enheden tages ud af stikkontakten, eller strømmen afbrydes eller slukkes, skal du vente 3 til 5 minutter, før du genstarter enheden. Hvis du forsøger at genstarte inden denne tidsforsinkelse, vil vinkøleren/drikkevarekøleren ikke starte.
- Når du bruger vinkøleren/drikkevarekøleren for første gang eller genstarter vinkøleren/drikkevarekøleren efter at have været slukket i lang tid, kan der være et par graders afvigelse mellem den temperatur, du vælger, og den, der er vist på LED'en. Dette er normalt, og det skyldes længden af aktiveringstiden. Når vinkøleren/drikkevarekøleren har kørt i et par timer, vil alt være normalt igen.



➤ Sådan ændres døråbningen

Dette apparat har vendbare låger, men leveres med højrehængslet låge. Det venstre hængselsæt følger med enheden (i æsken), hvis du ønsker at vende hængslet på din enhed.

Type A (til fuld glas/rustfri ståldør)

- | | | |
|-----------------------------|-----------------------|---------------------|
| 1. Nederste hængsel (højre) | 2. Skruer | 3. Lågeakse |
| 4. Låge | 5. Tophængsel (højre) | 6. Hængselsskruer |
| 7. Tophængsel (venstre) | 8. Hulafdækning | 9. Nederste hængsel |
| 10. Lågestop | 11. Skruer | |

1. Åbn lågen til en 90 graders vinkel, tag de 2 skruer (2) ud fra den nederste dørakse (3), fjern lågen (4), Fjern aksepladen (3) fra lågen, (Fig. A).

2. Skru skruen (11) ud under dørrammen og stopanordningen (10), og sæt den i venstre ende af lågerammen. (Fig. A/B)

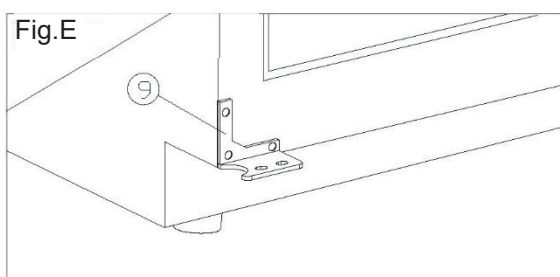
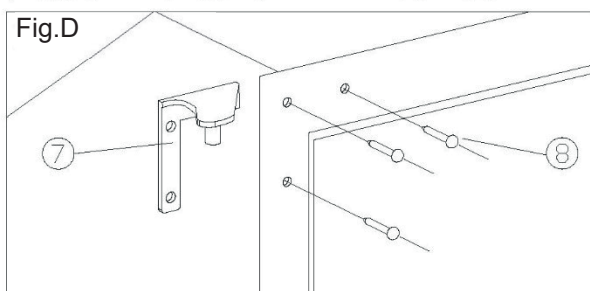
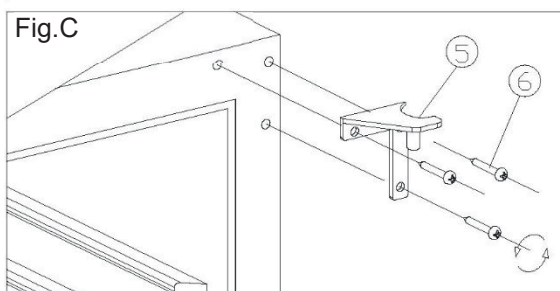
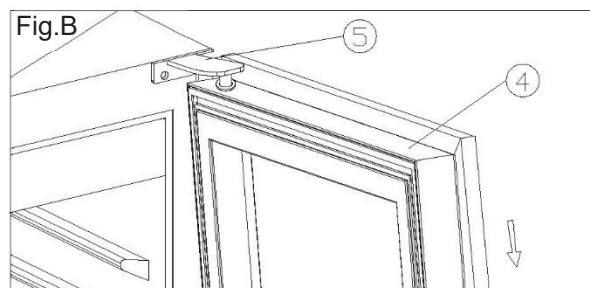
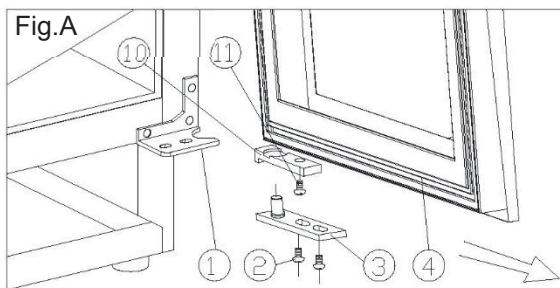
3. Fjern de 3 hængselsskruer (6) fra det øverste hængsel (højre) (5), og fjern det. (Fig. C)

4. Fjern pyntesømmet (8) fra venstre top af kabinettet og installer ekstra tophængsel (venstre) (7) øverst til venstre på kabinettet med 3 skruer. (Fig. D)

5. Ved at følge ovenstående procedure skal du installere det ekstra nederste hængsel til venstre (9). (Fig. E)

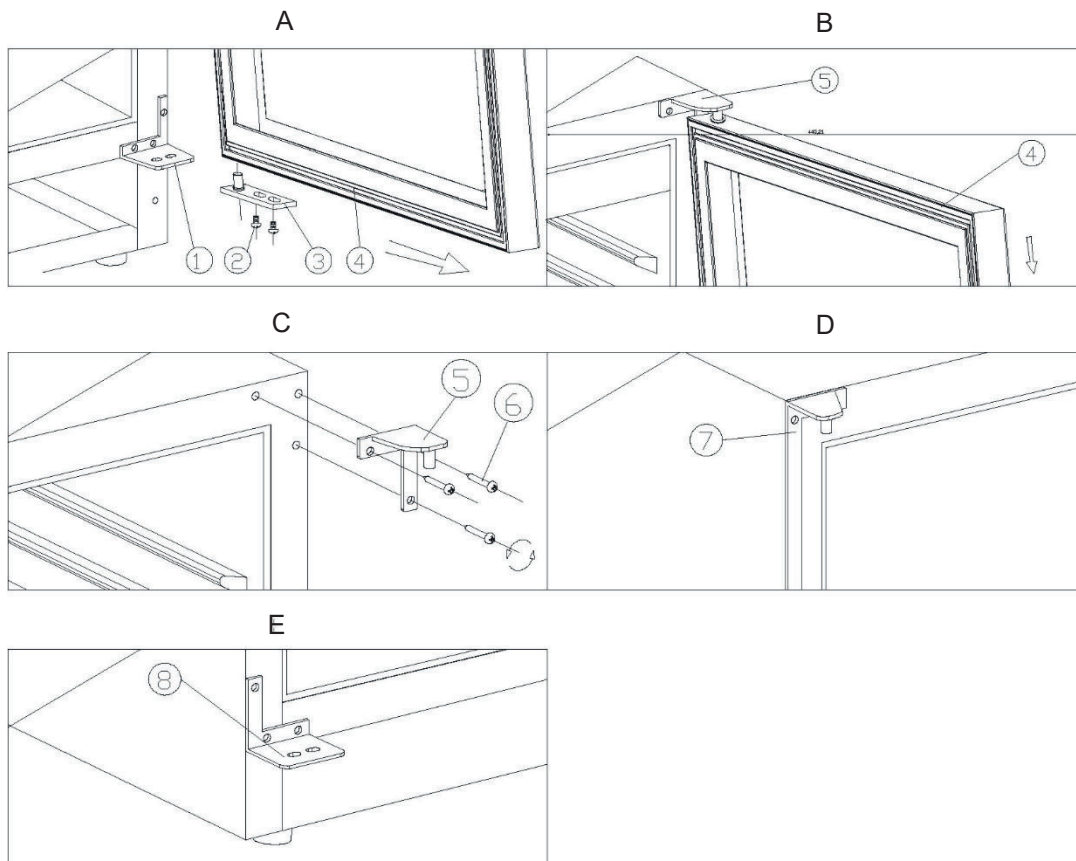
6. Monter og juster lågen.

7. Indsæt plastikhætterne for at dække hullerne (8)



Type B (til slank dør i rustfrit stål)

- | | | |
|-----------------------------|-------------------------------|-------------|
| 1. Nederste hængsel (højre) | 2. Skruer | 3. Lågeakse |
| 4. Låge | 5. Tophængsel (højre) | 6. skruer |
| 7. Tophængsel (venstre) | 8. Nederste hængsel (venstre) | |

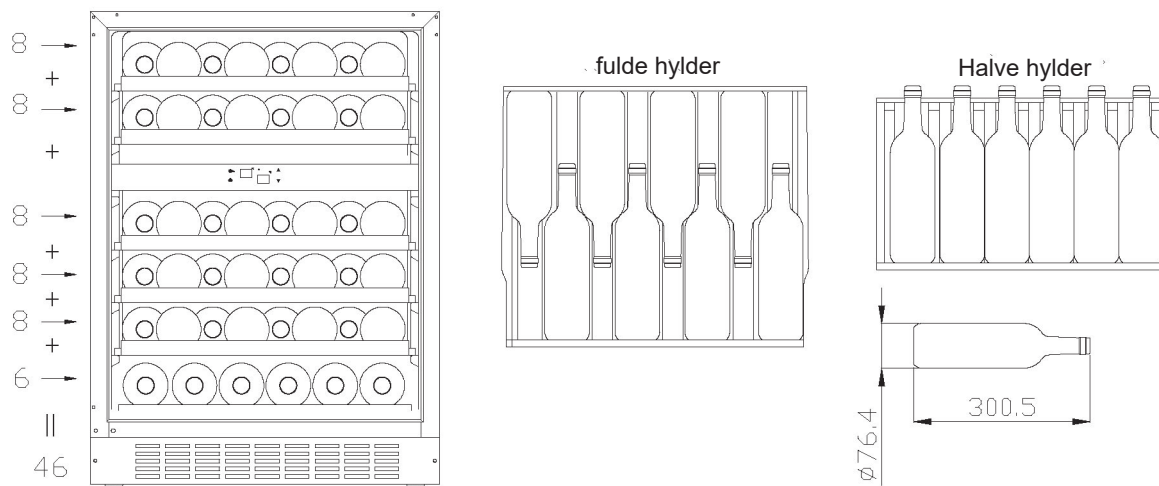


1. Fjern 2 skruer (1), og træk derefter lågen (4) i pilehovedets retning. Du vil fjerne lågen. Fjern også det nederste hængsel (Højre) (1) for monteringen. (Fig.A og Fig.B)
2. Sådan fjernes 3 skruer (6) af højre øverste hængsel og derefter højre øverste (5) og højre nederste hængsler (1). (Se fig.C)
3. Sådan bruges skruerne, som du fjernede fra højre sidehængsler til at fastgøre venstre øverste og nederste hængsler(7)(8).(Se Fig.D og Fig.E)
4. lågen vendes 180 grader, og saml derefter lågen som i den omvendte rækkefølge for fjernelse

➤ **Opbevaringsdiagram**

I henhold til den faktiske konfiguration af dit produkt bedes du kontrollere det relative lagerdiagram.

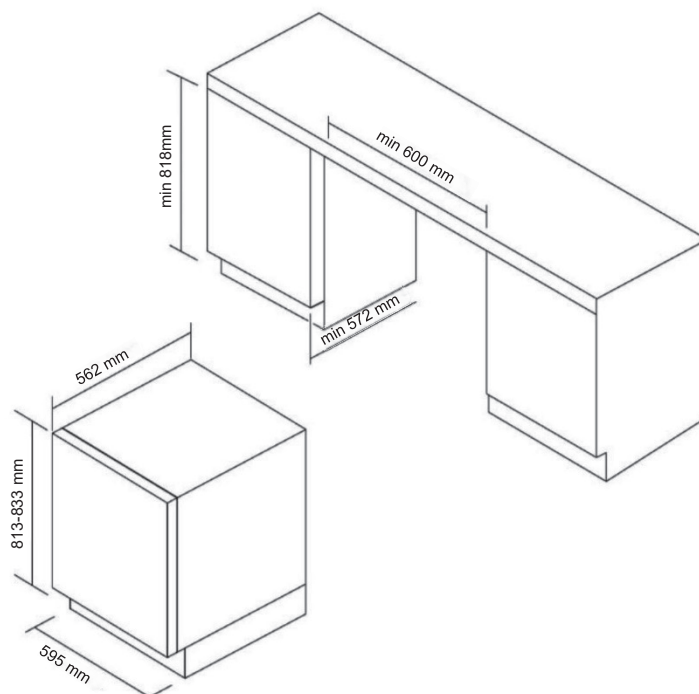
I alt: 46 flasker (maks.)



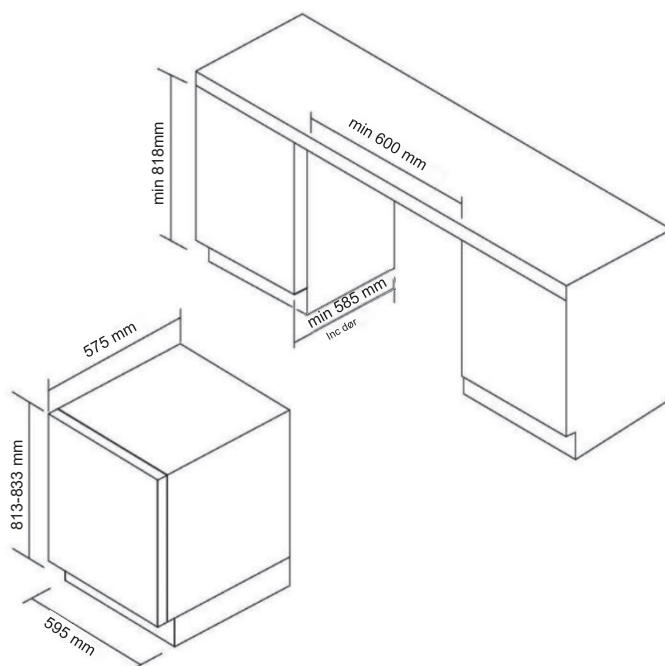
Den mest energibesparende konfiguration kræver placering af skuffer i produktet. Se ovenstående billeder.

➤ **Installationsspecifikationer til indbygning**

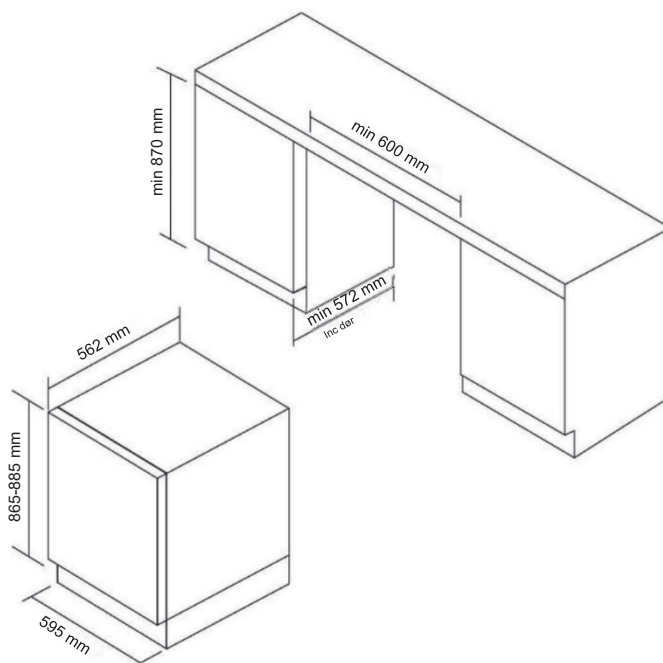
Til højde 813mm med fuld glas/rustfri låge



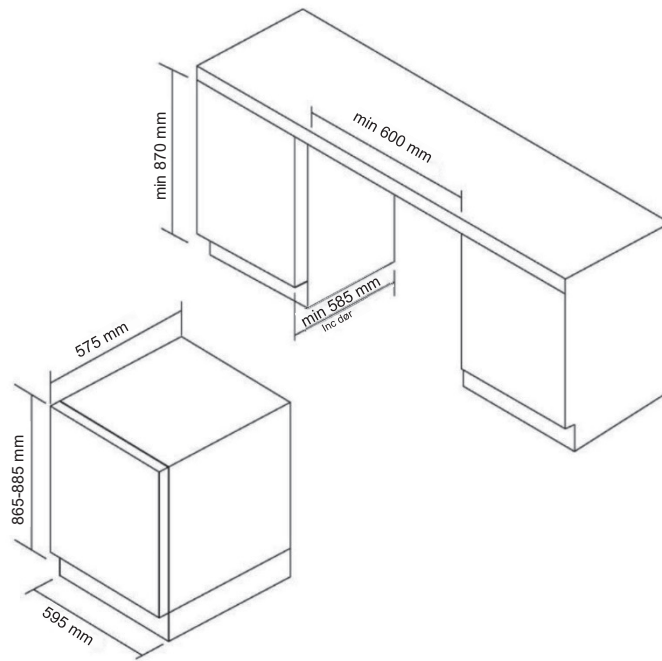
Til højde 813 med slank rustfri låge



Til højde 865mm med fuld glas/rustfri ståldør



Til højde 865 mm med slank dør i rustfrit stål



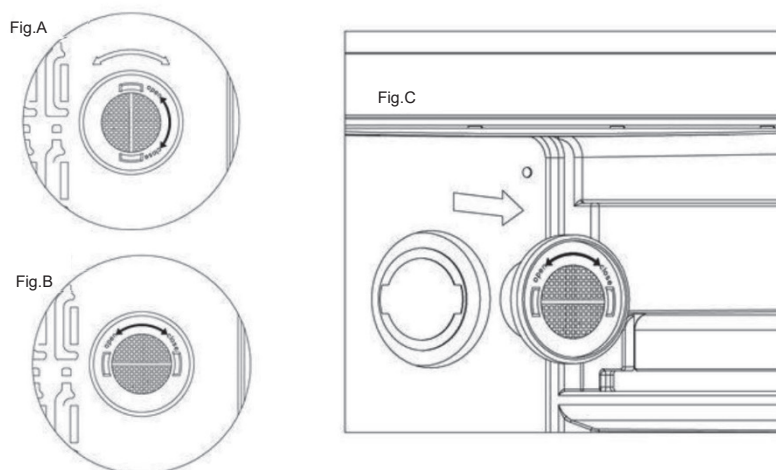
PLEJE OG RENGØRING

➤ Rengøring af vinkøleren

- Sluk for strømmen, tag stikket ud af apparatet, og fjern alle genstande inklusive hylder og stativ.
- Vask indersiden med et varmt vand og sodaopløsning. Opløsningen skal være omkring 2 spiseskefulde soda til en liter vand.
- Afvask hylder med mildt sæbevand.
- Vrid overskydende vand ud af svampen eller kluden, når du rengør området af kontrollerne eller andre elektriske dele.
- Vask det udvendige kabinet med varmt vand og mildt sæbevand. Skyl godt og tør af med en ren, blød klud.

➤ **Sådan udskiftes kulfilteret (hvis det findes i dit apparat)**

- Kulfiltre er placeret i øverste højre hjørne af hver vinskabszone.
- Åbn lågen og fjern de 2 øverste hylder (se afmontering af hylder).
- Drej filteret som vist i Fig A.
- Som vist i fig. B skal filteret flugte med indhakkene som vist.
- Træk filteret ud (Fig. C).
- Indsæt udskiftningsfilteret og drej som vist i Fig. A for at låse på plads.
- Geninstaller hylderne.



➤ **Strømsviqt**

- De fleste strømsviqt korrigeres inden for få timer og bør ikke påvirke temperaturen på vinkøleren, hvis du minimerer det antal gange, lågen åbnes. Hvis strømmen skal være slukket i en længere periode, skal du tage de rigtige skridt for at beskytte dit indhold.

➤ **Ferietid**

- **Korte ferier:** Lad vinkøleren køre i ferier på mindre end tre uger.
- **Lange ferier:** Hvis apparatet ikke skal bruges i flere måneder, skal du fjerne alle genstande og slukke for apparatet. Rengør og aftør indvendigt grundigt. For at forhindre lugt og skimmelsvamp skal lågen stå lidt åben: bloker den åben om nødvendigt.

➤ **Flytning af vinkøleren**

- Fjern alt indvendigt.
- Tape alle løse genstande (hylder) forsvarligt inde i dit apparat.
- Drej det justerbare ben op til basen for at undgå skader.
- Tape lågen til.
- Sørg for, at apparatet holdes sikkert i opretstående stilling under transport. Beskyt også ydersiden af apparatet med et tæppe eller lignende.

➤ **Energibesparende tips**

- Vinkøleren skal placeres i det køligste område af rummet, væk fra varmeproducerende apparater og væk fra direkte sollys.

PROBLEMER MED DIN VINKØLER/DRIKKEVAREKØLER?

Du kan nemt løse mange almindelige vinkøler/drikkevarekølerproblemer og spare dig selv for omkostningerne ved et eventuelt servicekald. Prøv forslagene herunder for at se, om du kan løse problemet, inden du ringer til serviceteknikeren.

FEJLFINDINGSGUIDE

PROBLEM	MULIG ÅRSAG
Vinkøler/drikkevarekøleren fungerer ikke.	Ikke tilsluttet. Apparatet er slukket. Afbryderen er udløst, eller en sikring er sprunget.
Vinkøleren/drikkevarekøleren er ikke kold nok.	Kontroller temperaturindstillingen. Eksternt miljø kræver muligvis en højere indstilling. Lågen åbnes for ofte. Lågen/skuffen er ikke lukket tæt til. Dørpakningen lukker ikke ordentligt.
Tænder og slukker ofte.	Stuetemperaturen er varmere end normalt. Der er føjet en stor mængde indhold til vinkøleren/drikkevarekøleren. Lågen åbnes for ofte. Lågen/skuffen er ikke lukket tæt til. Temperaturreguleringen er ikke indstillet korrekt. Dørpakningen lukker ikke ordentligt.
Lyset virker ikke.	Ikke tilsluttet. Afbryderen er udløst, eller en sikring er sprunget. Pæren er brændt ud. Lysknappen er "OFF".
Vibrationer.	Tjek for at sikre, at vinkøleren/drikkevarekøleren er i vater.
Vinkøleren/drikkevarekøleren lader til at larme for meget.	Den raslende støj kan komme fra kølemediets strømning, hvilket er normalt. Når hver cyklus slutter, kan du høre gurglende lyde forårsaget af strømmen af kølemiddel i vinkøleren/drikkevarekøleren. Sammentrækning og ekspansion af de indvendige vægge kan forårsage poppende og knitrende lyde. Vinkøleren/drikkevarekøleren er ikke i vater.
Lågen lukker ikke korrekt.	Vinkøleren/drikkevarekøleren er ikke i vater. Lågene blev vendt og ikke korrekt installeret. Pakningen er snavset. Hylderne er ude af position.

Hvis du vil kontakte den tekniske kundeservice, kan du besøge vores hjemmeside:
<https://corporate.haier-europe.com/en/> Under afsnittet "website" skal du vælge dit produkts mærke og dit land. Du føres til lige netop det websted, hvor du finder telefonnummeret og formularen til at kontakte teknisk assistance.

➤ **Lagerføring af reservedele**

- Termostater, temperaturfølere, printkort og lyskilder lagerføres i mindst syv år efter, at sidste enhed af modellen er bragt på markedet.
- Dørhåndtag, dørhængsler, bakker og kurve i mindst syv år og tætningslister til låger i mindst 10 år efter at sidste enhed af modellen er bragt på markedet.

Anbefalede temperaturINDSTILLINGER

Til opbevaring af ALLE TYPER VINE	12°C til 14°C
Anbefalet DRIKKEtemperatur	
Champagne NV, Mousserende	6°C
Champagne vintage	10°C
Tør hvid Semillon, Sauvignon Blanc	8°C
Tør hvid Gewurztraminer, Riesling	10°C
Tør hvid Chardonnay	10°C
Vintage Chardonnay	14°C
Sød hvid Sauternes Monbazillac, isvin fra sen høst	10°C
Søde hvide vintage Sauterner	14°C
Beaujolais	13°C
Rød Pinot Noir	16°C
Vintage Pinot Noir rød	18°C
Rød Cabernet, Merlot, fransk, australsk, new zealandsk, chilensk, argentinsk, italiensk, spansk, californisk	18°C
Rød Grenache, Syrah	16°C

Du finder flere oplysninger om produktet på <https://eprel.ec.europa.eu/> eller ved at scanne QR-koden på det energimærke, der leveres med apparatet

Suomi

Kiitos, että ostit tämän tuotteen.

Lue tämä käyttöopas huolellisesti ennen jääkaapin käyttöä sen suorituskyvyn maksimoimiseksi. Säilytä kaikki asiakirjat myöhempää käyttöä tai muita omistajia varten. Tämä tuote on tarkoitettu vain kotikäyttöön tai vastaavan tyyppiseen käyttöön, kuten:

- henkilökunnan keittiöalueella myymälöissä, toimistoissa ja muilla työpaikoilla
- maataloilla, hotellien, motellien ja muiden asuinympäristöjen asiakkaille
- aamiaismajoituksissa (B & B)
- pitopalveluissa ja vastaaviin käyttötarkoituksiin, jotka eivät ole vähittäismyyntiä.

Tätä laitetta saa käyttää vain elintarvikkeiden säilyttämiseen. Muu käyttö katsotaan vaaralliseksi, eikä valmistaja ole vastuussa laiminlyönneistä. Lisäksi on suositeltavaa huomioida takuehdot.

TURVALLISUUSOHJEET

Lue käyttö- ja asennusohjeet huolellisesti!

Ne sisältävät tärkeää tietoa laitteen asennuksesta, käytöstä ja huollosta.

Laitteen valmistaja ei ole vastuussa sellaista seurauksista, jotka johtuvat laitteen ohjeiden ja varoitusten noudattamatta jättämisestä.

Säilytä kaikki asiakirjat, jotta voit luovuttaa ne seuraavalle mahdolliselle omistajalle.

- **Älä liitä laitetta verkkovirtaan, ennen kuin kaikki pakkaus- ja suojamateriaalit on poistettu. Pidä kaikki pakkausmateriaali poissa lasten ulottuvilta. Laattikkopahvi ja muovipussit voivat aiheuttaa tukehtumisvaaran!**
- **Anna laitteen olla käyttämättömänä vähintään 4 tuntia ennen sen käynnistämistä, jotta kompressorin öljy pääsee asettumaan, jos tuotetta on kuljetettu vaakatasossa.**
- **Varmista, ettei ole kuljetusvaurioita.**
- **Älä vaurioita jäähdytyspiiriä.**
- **Pidä laitteen kotelon tai rakenteelliset tuuletusaukot vapaina esteistä.**
- **Älä koskaan pese kompressorin paikkaa vedellä. Pyyhi se kuivalla liinalla huolellisesti puhdistuksen jälkeen ruostumisen estämiseksi.**
- **Laite on painava ja sen vuoksi sen käsittelemiseen tarvitaan aina vähintään kaksi henkilöä.**
- **Asenna ja säädä laitteen jalvoja tarpeen mukaan niin että laite on tasapainossa ja tasaisesti. Asennuspaikan on oltava sopivan kokoinen ja sovelluttava laitteen käyttötarkoitukseen.**
- **Varmista, että laitteen arvokilvessä ilmoitetut sähkö tiedot vastaavat käytettävissä olevaa virransyöttöä. Jos näin ei ole, ota yhteyttä sähköasentajaan.**
- **Verkkoliitäntä: 220–240 V, 50 Hz Epänormaali jännitevaihtelu voi estää laitteen käynnistymisen tai vaurioittaa lämpötilan säätöä tai kompressoria**

tai aiheuttaa epänormaalia käyntiääntä. Tässä tapauksessa laitteeseen on asennettava automaattinen jännitteensäädin.

- **Vain Iso-Britannia: Laitteen virtajohtoon on liitetty 3-haarainen (maadoitettu) pistoke, joka sopii 3-haaraiseen (maadoitettuun) pistorasiaan. Kolmatta tappia (maadoitus) ei koskaan saa leikata pois tai poistaa jollakin muulla tavalla. Pistoke tulisi olla käytettävissä laitteen asennuksen jälkeen.**
- **Varmista, että virtajohto ei ole jäänyt laitteen alle kuljetuksen tai siirron aikana tai sen jälkeen, koska tämä voisi aiheuttaa virtajohdon katkeamisen tai vahingoittumisen. Jos virtajohto on vaurioitunut, valmistajan, sen huoltoedustajan tai vastaavan ammattitaitoisen henkilön on vaihdettava se vaaran välttämiseksi.**
- **Älä asenna laitetta kosteaan, öljyiseen tai pölyiseen paikkaan äläkä altista laitetta suoralle auringonvalolle ja vedelle.**
- **Älä asenna laitetta lämmittimien tai syttyvien materiaalien lähelle.**
- **VAIN pakasteosan sisältävät laitteet: älä avaa ovea sähkökatkoksen aikana. Pakastettujen ruokien laadun ei pitäisi kärsiä, mikäli sähkökatkos kestää vähemmän kuin arvokilvessä ilmoitetun ajan (lämpötilan nousuaika). Jos sähkökatkos kestää kauemmin, ruokapakasteiden kunto tulisi tarkistaa ja ruoka tulisi syödä välittömästi tai se tulisi keittää ja pakastaa sitten uudelleen.**
- **On aivan normaalia, jos laitteen oven avaaminen tuntuu vaikealta heti oven sulkemisen jälkeen. Tämä johtuu paine-erosta, joka tasaantuu hiljalleen. Oven avaaminen käy normaalisti muutaman minuutin kuluttua.**
- **Älä säilytä laitteessa lääkkeitä, bakteereita tai kemiallisia aineita. Laite on kotitalouslaite eikä sitä ole tarkoitettu sellaisten tuotteiden säilytykseen, jotka vaativat tarkkoja säilytyslämpötiloja.**
- **Älä vedä tai taita virtajohtoa tai kosketa pistoketta märillä käsillä.**
- **Älä säilytä laitteessa syttyvää ponnekaasua (esimerkiksi suihkepulloja) sisältäviä tuotteita tai tuotteita, jotka voivat räjähtää. Räjähdystvaara!**
- **Älä laita jääkaapin päälle epävakaita esineitä (esimerkiksi raskaita esineitä tai vedellä täytettyjä astioita). Näin voit välttää onnettomuudet, jotka voisivat aiheutua esineiden tippumisesta käyttäjän päälle, tai sähköiskusta kosketuksesta veteen.**
- **Älä käytä sähkölaitteita laitteen ruoansäilytystiloissa, mikäli ne eivät ole valmistajan suosittamia.**
- **Älä koske sisäisiin jäähdytyslementteihin (erityisesti märin käsin) halkeamien tai vammojen välttämiseksi.**
- **Vaaratilanteita voi aiheutua erityisesti lapsille tai henkilöille, jotka eivät pysty käyttämään laitetta turvallisesti vajavaisten fyysisten, aistillisten tai**

henkisten kykyjensä vuoksi tai jotka ovat kokemattomia ja tietämättömiä laitteen turvallisesta käytöstä.

- Varmista, että lapset ja tällaiset henkilöt ovat ymmärtäneet laitteen käyttöön liittyvät riskit ja vaarat. Turvallisuudesta vastuussa olevan henkilön on valvottava tai opastettava lapsia ja kyseisiä käyttäjäryhmiä, kun he käyttävät laitetta. Vain yli 8-vuotiaat lapset saavat käyttää laitetta.
- Lapset eivät saa leikkiä laitteella.
- 3–8-vuotiaat lapset saavat täyttää ja tyhjentää laitteen.
- VAIN pakasteosan sisältävät laitteet: älä säilytä pakasteosassa pulloitettuja tai purkitettuja nesteitä (erityisesti hiilihappopitoisia juomia). Pullot ja purkit voivat räjähtää!
- VAIN pakasteosan sisältävät laitteet: älä koskaan laita suoraan pakasteosasta otettua ruokaa suoraan suuhusi. Alhainen lämpötila voi aiheuttaa paleltumia!
- Huolehdi siitä, että oven tiivisteet ja muoviosat ovat puhtaat eikä niissä ole öljyä tai rasvaa. Muussa tapauksessa muoviosat ja tiivisteet haurastuvat.
- Irrota virtajohto pistorasiasta ennen minkään toimenpiteen tekemistä.
- Älä yritä nopeuttaa sulatusta käyttämällä mekaanisia laitteita tai muita keinoja, lukuun ottamatta laitteen valmistajan suosittelemia menetelmiä.
- Älä käytä teräväkärkisiä tai -reunaisia esineitä, kuten veitsiä tai haarukoita, huurteen poistamiseen.
- Älä koskaan käytä sulatukseen hiustenkuivainta, sähkölämmittintä tai muita vastaavia sähkölaitteita.
- Pidä pistoke puhtaana. Pistokkeessa oleva pöly voi aiheuttaa tulipalon.
- Älä yritä korjata, purkaa tai muokata laitetta itse. Jos laite on korjattava, ota aina yhteyttä asiakaspalveluumme.
- Valvo lapsia, kun laitetta puhdistetaan tai huolletaan.
- Älä puhdistu kylmiä lasihyllyjä kuumalla vedellä. Nopeat lämpötilanmuutokset voivat aiheuttaa lasin rikkoutumisen.
- VAROITUS: Jäähdytyspiirin letkut sisältävät pienen määrän ympäristöystävällistä mutta herkästi syttyvää kylmäainetta (R600a) ja eristyskaasua (syklopentaani). Se ei vahingoita ilmakehän otsonikerrosta eikä kiihdytä kasvihuoneilmiötä. Jäähdytyspiiristä mahdollisesti vuotanut kylmäaine voi vahingoittaa silmiä tai syttyä palamaan.
- Jos jäähdytyspiiri vaurioituu:
 - Sammuta laite ja irrota verkkovirtapistoke.
 - Pidä avotuli ja/tai syttymislähteet loitolla laitteesta.
 - Tuuleta huonetta perusteellisesti useita minutteja.
 - Ilmoita asiasta asiakaspalveluun.

- **VAROITUS: Älä vahingoita pistoketta tai sähköjohtoa, sillä se saattaa aiheuttaa sähköiskun tai tulipalon.**
- **VAROITUS: Älä käytä monipistokkeisia jatkojohtoja äläkä siirrettäviä virtalähteitä. Emme suosittele jatkojohtojen ja monitoimisten matka-adapterien käyttöä.**
- **Älä istu tai seiso laitteen päällä. Voit vahingoittaa itseäsi tai laitetta. Tätä laitetta ei ole suunniteltu pinottavaksi muiden laitteiden kanssa torniksi.**
- **Tuote on suunniteltu ja valmistettu vain kotikäyttöön.**
- **Laitteessa tulee käyttää vain valmistajan toimittamia alkuperäisiä osia. Valmistaja takaa turvavaatimusten täyttymisen vain näin osien osalta.**
- **Oven jättäminen auki pitkäksi aikaa voi aiheuttaa laitteen sisältämien tuotteiden huomattavan lämpötilan nousun.**
 - **Puhdista säännöllisesti pinnat, jotka voivat joutua kosketuksiin elintarvikkeiden kanssa. Puhdista myös säännöllisesti vedenpoistojärjestelmät.**
 - **Puhdista vesisäiliöt, jos ne eivät ole olleet käytössä 48 tuntiin. Huuhtelee vesijärjestelmä antamalla veden virrata, jos vettä ei ole käytetty 5 päivään.**
 - **Säilytä raaka liha ja kala jääkaapissa asianmukaisissa astioissa, jotta ne eivät joudu kosketuksiin muiden elintarvikkeiden kanssa tai jotta niistä ei tipu nesteitä muihin elintarvikkeisiin.**
 - **Kahdella tähdellä merkityt pakastinosastot (jos laitteessa on sellaisia) soveltuvat esipakastettujen tuotteiden säilytykseen, jäätelöjen varastointiin tai valmistukseen sekä jääkuutioiden valmistukseen.**
 - **Yhdellä, kahdella tai kolmella tähdellä merkityt osastot (jos laitteessa on sellaisia) eivät sovellu tuoreen ruoan pakastamiseen.**
 - **Jos laite ei ole käytössä pitkään aikaan, sammuta laite, sulata se, puhdista, kuivaa ja jätä ovi auki, jotta laitteeseen ei muodostu homeita.**
- **Viinikaapit: tämä laite on tarkoitettu yksinomaan viinin säilyttämiseen**
- **Vapaasti seisova laite: tämä kylmälaite on tarkoitettu käytettäväksi vapaasti seisovana laitteena eikä sitä saa käyttää sisäänrakennetun mallin tavoin**
- **Laitteet, joissa ei ole neljällä tähdellä merkittyä osastoa: tämä kylmälaite ei sovellu elintarvikkeiden pakastamiseen**

Vanhojen laitteiden hävittäminen



Tämä laite on merkitty EU:n sähkö- ja elektroniikkalaiteromua koskevan direktiivin 2012/19/EU mukaisesti. Sähkö- ja elektroniikkalaiteromu sisältää sekä saastuttavia aineita (jotka voivat aiheuttaa haitallista vaikutusta ympäristölle) että peruskomponentteja (joita voidaan käyttää uudelleen). On tärkeää, että sähkö- ja elektroniikkalaiteromu käsitellään erityisellä tavalla, jotta kaikki saastuttavat materiaalit voidaan poistaa ja hävittää asianmukaisesti ja kaikki materiaalit voidaan ottaa talteen ja kierrättää. Yksilöllä on tärkeä rooli sen varmistamisessa, että sähkö- ja elektroniikkalaiteromusta ei tule ympäristöongelmaa. Tätä varten on tärkeää noudattaa muutamaa perussääntöä:

- Sähkö- ja elektroniikkalaiteromua ei saa käsitellä kotitalousjätteenä.
- Sähkö- ja elektroniikkalaiteromu on luovutettava kunnan tai rekisteröityjen yritysten hallinnoimiin keräyspisteisiin. Monissa maissa suurille sähkö- ja elektroniikkalaiteromuille voi olla kotikeräys.

Kun ostat uuden laitteen, vanha laite voidaan monissa maissa palauttaa kauppiaille, jonka on otettava se vastaan ilmaiseksi kertaluonteisesti, kunhan laite on samantyyppinen ja toimii samalla tavalla kuin toimitettu laite.

Vaatimustenmukaisuus

Lisäämällä tähän tuotteeseen **CE**-merkinnän varmistamme, että tämä tuote täyttää kaikki olennaiset eurooppalaiset lakisääteiset turvallisuus-, terveys- ja ympäristövaatimukset.

Takuu

Vähimmäistakuu on: 2 vuotta EU-maissa, 3 vuotta Turkissa, 1 vuosi Isossa-Britanniassa, 1 vuosi Venäjällä, 3 vuotta Ruotsissa, 2 vuotta Serbiassa, 5 vuotta Norjassa, 1 vuosi Marokossa, 6 kuukautta Algeriassa, Tunisia ei vaadi lakisääteistä takuuta.

Energiansäästö

Tehokkaampaa energiansäästöä varten suosittelemme seuraavaa:

- Asenna laite kauas lämmönlähteistä, ei alttiina suoralle auringonvalolle ja hyvin tuuletettuun tilaan.
- Älä laita kuumaa ruokaa jääkaappiin, jotta se ei nosta sisäistä lämpötilaa ja aiheuttaa siten kompressorin jatkuvaa toimintaa.
- Älä täytä laitetta liikaa elintarvikkeilla asianmukaisen ilmankierron varmistamiseksi.
- Sulata laite, jos sen sisäpuolella on jäätä helpottaaksesi kylmän siirtymistä.
- Sähkökatkoksen yhteydessä on suositeltavaa pitää jääkaapin ovi suljettuna.
- Avaa tai pidä laitteen ovet mahdollisimman vähän auki.
- Vältä laitteen säätämistä liian kylmiin lämpötiloihin.
- Poista laitteen takapuolella oleva pöly

Valonlähteen (LED) voi vaihtaa vain ammattilainen
Tämä tuote sisältää valonlähteen energialuokkaan G

ASENNUSOHJEET

➤ **Ennen kuin käytät viinikaappia**

- Poista ulko- ja sisäpuolen pakkaus.
- Anna laitteen seistä pystyasennossa noin 2 tuntia ennen sen kytkemistä virtalähteeseen. Se vähentää jäähdytysjärjestelmän kuljetuksen aikaisen käsittelyn aiheuttaman toimintahäiriön vaaraa.
- Puhdista sisäpinta haalealla vedellä ja pehmeällä liinalla.
- Kun laite hävitetään, valitse valtuutettu jätteenkeräyspaikka.

➤ **Viinikaapin asennus**

- Tämä laite on suunniteltu vapaasti seisovaksi tai kalusteisiin asennettavaksi (sisäänrakennettu, täysin upotettu) (Katso lisätietoja laitteen takaosan tarrasta).
- Tämä laite on tarkoitettu yksinomaan viinin tai juomien säilyttämiseen
- Aseta viinikaappi lattialle, joka on riittävän tukeva kannattamaan laitetta sen ollessa täynnä. Aseta viinikaappi vaakasuoraan säätämällä viinikaapin pohjassa olevaa etusäätojalkaa.
- Tässä laitteessa käytetään syttyvää kylmäainetta. Älä koskaan vahingoita jäähdytysputkistoa kuljetuksen aikana. Sijoita viinikaappi pois suorasta auringonvalosta ja lämmönlähteiden (hella, lämmitin, lämpöpatteri jne.) läheltä. Suora auringonvalo saattaa vaikuttaa akryyลิปintaan ja lämmönlähteet saattavat lisätä sähkönkulutusta. Äärimmäisen kylmät ympäristön lämpötilat saattavat myös aiheuttaa sen, ettei laite toimi kunnolla.
- Vältä sijoittamasta laitetta kosteisiin paikkoihin.
- Kytke viinikaappi yksittäiseen, kunnolla asennettuun ja maadoitettuun seinäpistorasiaan. Älä missään tapauksessa leikkaa tai poista virtajohdon kolmatta (maadoitus) haaraa. Sähkövirtaa ja/tai maadoitusta koskevat kysymykset on ohjattava valtuutetulle sähköasentajalle tai Tuotehuoltokeskukseen.

➤ **Huomio**

- Säilytä viiniä suljetuissa pulloissa.
- Älä ylikuormita kaappia.
- Älä avaa ovea, ellei se ole välttämätöntä.
- Älä peitä hyllyjä alumiinifoliolla tai muulla hyllymateriaalilla, jotka voivat estää ilmankierron.
- Jos viinikaappia säilytetään pitkään ilman käyttöä, suosittelemme jättämään oven raolleen huolellisen puhdistuksen jälkeen. Näin ilma pääsee kiertämään kaapin sisällä, ja mahdollinen kondensoituminen ja homeen tai hajun muodostuminen voidaan välttää.

➤ **Ympäristön lämpötilarajat**





Laite on suunniteltu toimimaan arvokilpeen merkityn ympäristön lämpötilaluokan mukaisesti.

- Laajennettu lauhkea (SN): kylmälaite toimii suunnitellusti, kun ympäristön lämpötila on 10–32 °C.
- Lauhkea (N): kylmälaite toimii suunnitellusti, kun ympäristön lämpötila on 16–32 °C.
- Subtrooppinen (ST): kylmälaite toimii suunnitellusti, kun ympäristön lämpötila on 16–38 °C.



VIINIKAAPIN/JUOMAKAAPIN KÄYTTÖ JA LÄMPÖTILAN SÄÄDÖN ASETTAMINEN

➤ Ohjausjärjestelmän ohjeet



- -painike
Tämän laitteen kytkeminen päälle/pois (paina ja pidä painettuna noin 3 sekuntia).
- -painike
Sisävalon kytkeminen päälle/pois.
- -painike
Säätää ylemmän osaston lämpötilaa.
- -painike
Säätää alemman osaston lämpötilaa.
- **LED-näyttöikkuna vasemmalla**
Ylemmän osaston lämpötilan säätäminen.
- **LED-näyttöikkuna oikealla**
Alemman osaston lämpötilan säätäminen.
- merkkivalo
Kompressori käyttönäytössä.

➤ Lämpötilan säätöjen asettaminen

- Kun painat - tai -painiketta, järjestelmä siirtyy ylä- tai alatilassa automaattisesti asetustilaan. LED vilkkuu ja näyttää asetustilan.
Paina painiketta kerran, jolloin lämpötila laskee tai nousee 1 °C. Kun ylität määritettävissä olevan vähimmäisarvon, lämpötila nousee automaattisesti korkeimpaan säädettävään lämpötila-arvoon. Kun painiketta ei ole painettu 5 sekuntiin, LED-valo lakkaa vilkkumasta, minkä jälkeen se näyttää jälleen ylä- tai alatilän lämpötilan.
- Pistorasiasta irrottamisen jälkeen järjestelmä palaa takaisin tehtaan asettamaan lämpötilaan. Tehdaslämpötilat on esitetty alla:
Ylätila: 6 °C
Alatila: 12 °C
- Jos haluat nähdä kaikki sisäasetuslämpötilat, paina alemman tai ylemmän tilan asetuspainiketta, jolloin LED-valo vilkkuu ja asetustilan lämpötila tulee näkyviin. Kun painiketta ei ole painettu 5 sekuntiin, LED-valo lakkaa vilkkumasta ja palaa sen jälkeen takaisin näyttämään todellisen lämpötilan.
Ylätila: Lämpötila-asetusta voidaan säätää välillä 5–10 °C.
Alatila: Lämpötila-asetusta voidaan säätää välillä 10–18 °C.

➤ **Lämpötilahälytys**

Jos sisälämpötila on korkeampi kuin 23 °C, näytössä näkyy HI ja hälytys/ääni kuuluu yhden tunnin kuluttua. Se ilmoittaa, että sisälämpötila on liian korkea. Jos sisälämpötila on alle 0 °C, näytössä näkyy LO ja samalla vikatilän hälytys on aktiivinen

➤ **Lämpötilan muistamistoiminto**

Sähkökatkon sattuessa viinikaappi muistaa aiemmat lämpötila-asetukset ja kun virta on palautunut, kaapin lämpötila palautuu sähkökatkosta edeltäväksi lämpötilaksi.

➤ **Sisävalo**

Energiankulutuksen vähentämiseksi viinikaappi sammuttaa LED-valot automaattisesti 10 minuutin kuluttua.

Voit myös halutessasi pitää LED-valon aina päällä. Paina VALO-painiketta ja pidä sitä painettuna 5 sekunnin ajan. Näyttöön tulee näkyviin LP. Näyttö palaa 4 sekunnin kuluttua takaisin normaaliksi ja valo palaa, kunnes se kytketään manuaalisesti pois päältä.

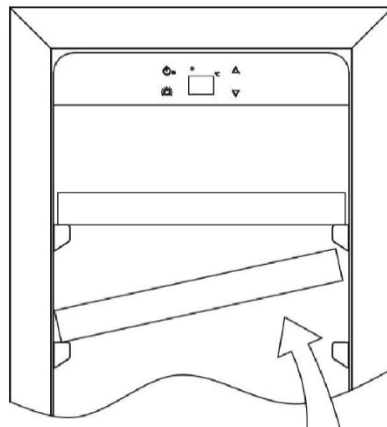
Jos haluat palauttaa automaattisen valon sammumisen takaisin käyttöön ja säästää energiaa (suositus), paina VALO-painiketta 5 sekunnin ajan. Näyttöön tulee näkyviin LF, ja näyttö palautuu normaaliksi 4 sekunnin jälkeen. Valo sammuu nyt automaattisesti 10 minuutin kuluttua.

➤ **Hyllyt**

- Jotta oven tiivisteet eivät vaurioidu, varmista, että ovi on täysin auki, kun vedät hyllyjä ulos kiskotilasta.
- Jotta viinikaapin sisältöä olisi helppo käsitellä, hyllyjä on vedettävä ulospäin kiskotilasta noin 1/3. Tässä yksikössä on hyllykiskojen kummallakin puolella lovet, jotka estävät pullojen putoamisen kaapista.
- Kun poistat näitä hyllyjä kiskotilasta, kallista hyllyä kaavion mukaisesti ja vedä se yksinkertaisesti ulos tai työnnä hyllyä, kunnes se on tukevasti tukikannattimien päällä. Näin voit poistaa hyllyjä tai asentaa niitä paikoilleen.

➤ **HUOMAA:**

- Jos laite ei ole kytkettynä pistorasiaan, siinä ei ole virtaa, tai se on kytketty pois päältä, odota 3–5 minuuttia ennen laitteen käynnistämistä uudelleen. Jos yrität käynnistää uudelleen ennen kuin tämä aika on kulunut, viinikaappi ei käynnisty.
- Kun käytät viinikaappia/juomakaappia ensimmäistä kertaa tai käynnistät viinikaapin/juomakaapin pitkän käyttämättömyysjakson jälkeen, jolloin siitä on ollut virta pois kytkettynä, valitsemasi lämpötilan ja LED-valon lukeman välillä voi olla muutaman asteen ero. Tämä on normaalia ja johtuu aktivointiajan pituudesta. Kun viinikaappi/juomakaappi on ollut käynnissä muutaman tunnin ajan, kaikki palaa normaaliksi.



➤ Oven avautumissuunnan vaihtaminen

Laitteen oven avautumissuuntaa voidaan vaihtaa, mutta siinä on ostettaessa saranat oikealla puolella. Vasemmanpuoleinen saranointisarja toimitetaan yksikön mukana (laatikossa). Voit sen avulla halutessasi vaihtaa saranointia.

Tyyppi A (täyslasinen/ruostumattomasta teräksestä valmistettu ovi)

- | | | |
|--------------------------|-----------------------|--------------------------|
| 1. Alempi sarana (oikea) | 2. Ruuvit | 3. Oven akseli |
| 4. Ovi | 5. Yläsarana (oikea) | 6. Saranaruuvit |
| 7. Yläsarana (vasen) | 8. Reiän peittötulppa | 9. Alempi sarana (vasen) |
| 10. Oven rajoitin | 11. Ruuvi | |

1. Avaa ovi 90 asteen kulmaan, irrota 2 ruuvia (2) alemmasta oven akselistä (3), irrota ovi (4), irrota akselilevy (3) ovesta (Kuva A).

2. Avaa oven karmin (11) ja rajoittimen (10) alla oleva ruuvi ja aseta se oven karmin vasemmalle puolelle. (Kuva A/B)

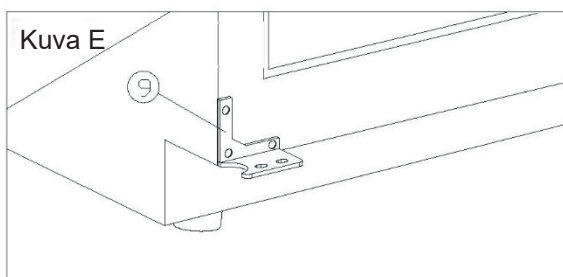
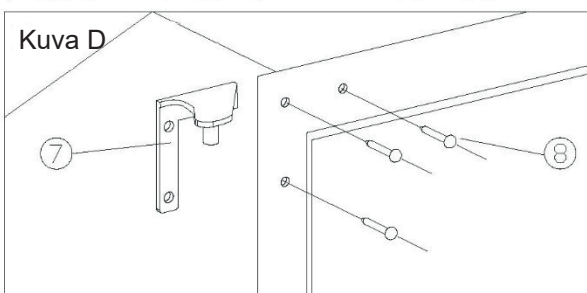
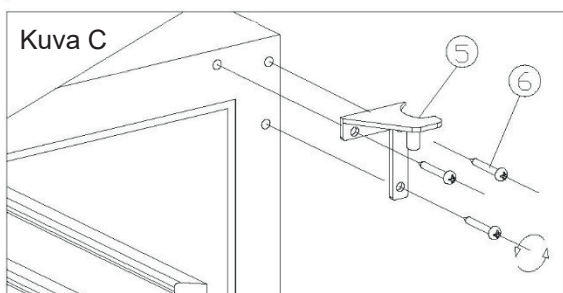
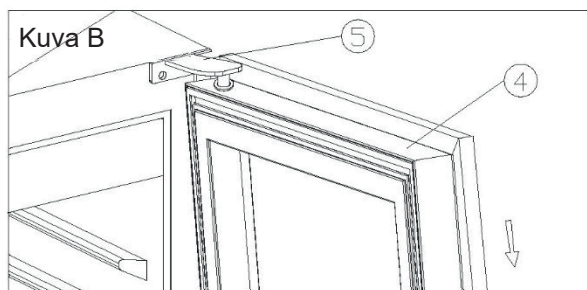
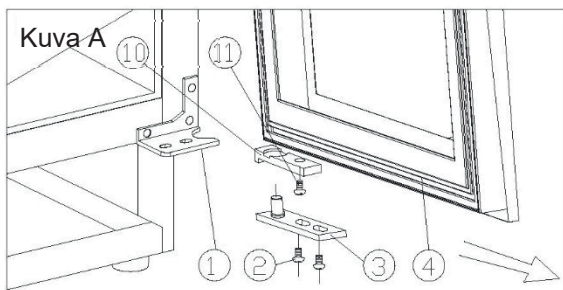
3. Irrota 3 saranaruuvia (6) yläsaranasta (oikealla) (5) ja irrota se. (Kuva C)

4. Irrota koristenaula (8) kaapin vasemmalta yläosasta ja asenna varayläsarana (vasen) (7) kaapin vasemmalle puolelle yläosaan 3 ruuvilla. (Kuva D)

5. Asenna vara-alasarana vasemmalle (9) edellä kuvatulla tavalla. (Kuva E)

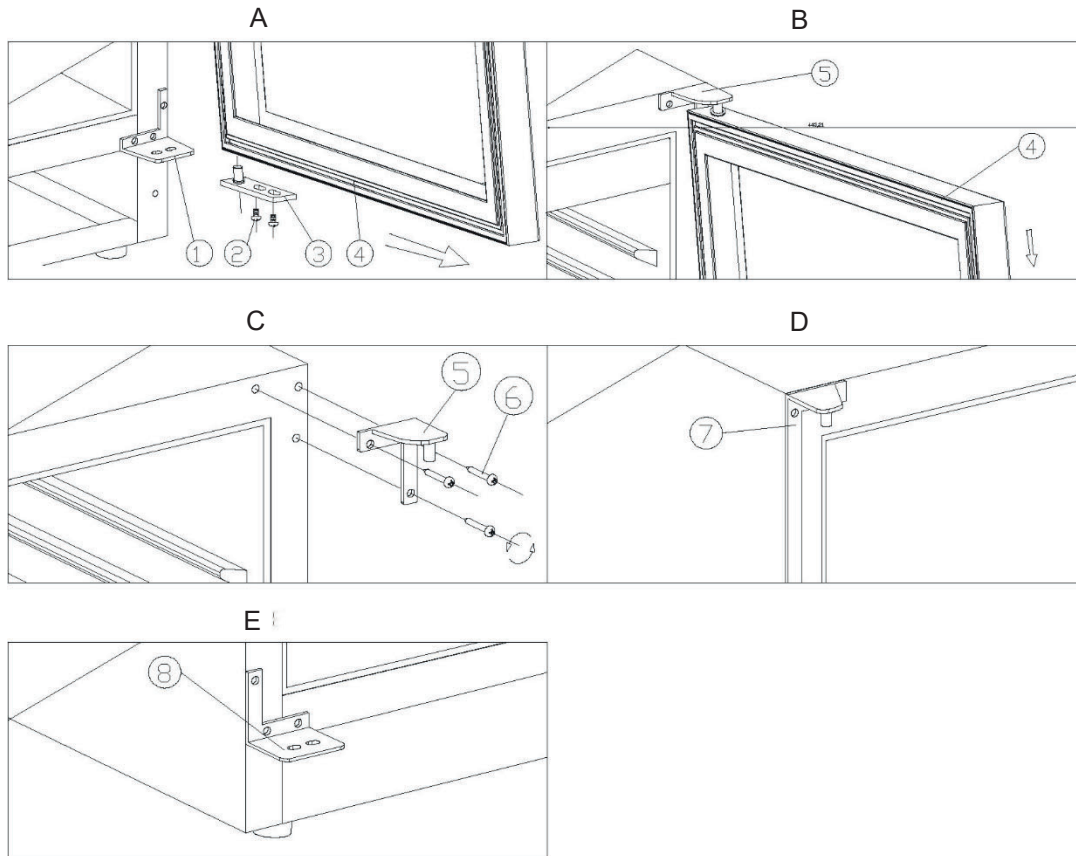
6. Asenna ja kohdistusta ovi.

7. Peitä reiät (8) muovisilla suojuksilla



B-tyyppi (ohut, ruostumattomasta teräksestä valmistettu ovi)

- | | | |
|----------------------|----------------------|----------------|
| 1. Alasarana (oikea) | 2. Ruuvit | 3. Oven akseli |
| 4. Ovi | 5. Yläsarana (oikea) | 6. ruuvit |
| 7. Yläsarana (vasen) | 8. Alasarana (vasen) | |

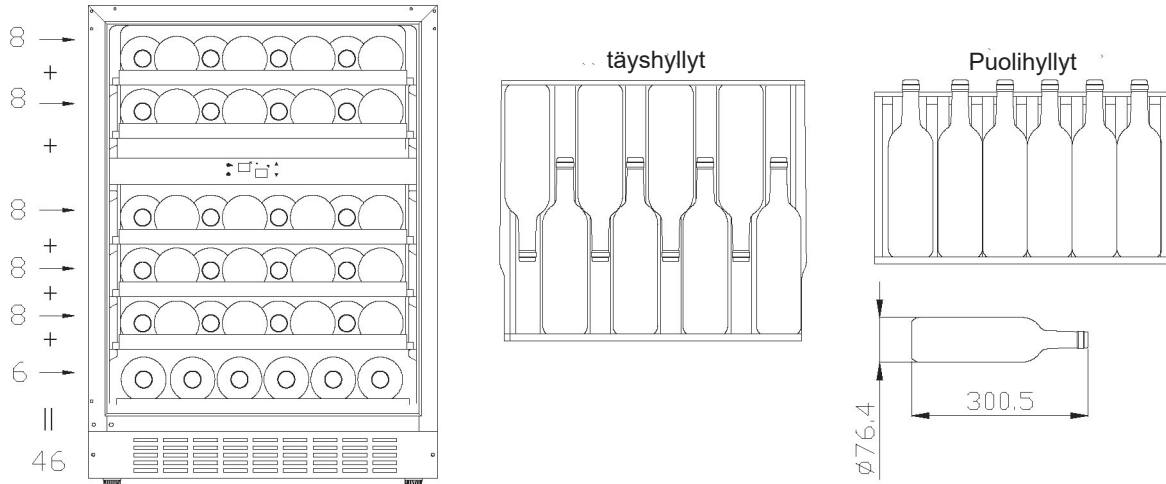


1. Poista 2 ruuvia (1) ja vedä sitten ovea (4) nuolen suuntaan. Poista ovi. Irrota alasarana (oikea) (1). (Kuva A ja kuva B)
2. Poista 3 ruuvia (6) oikeasta yläsaranaosta, irrota sitten poista oikea yläsarana (5) ja oikea alasarana (1). (Katso kuva C)
3. Käytä ruuveja, jotka irroit oikeista sivusaranoista vasemman ylä- ja alasaranan (7) (8) kiinnittämiseen. (Kuva D ja kuva E)
4. Käännä ovea 180 astetta, kokoa ovi sitten irrotukseen nähden päinvastaisella tavalla.

➤ **Säilytyskaavio**

Tarkista tuotteen todellisen kokoonpanon mukainen säilytyskaavio.

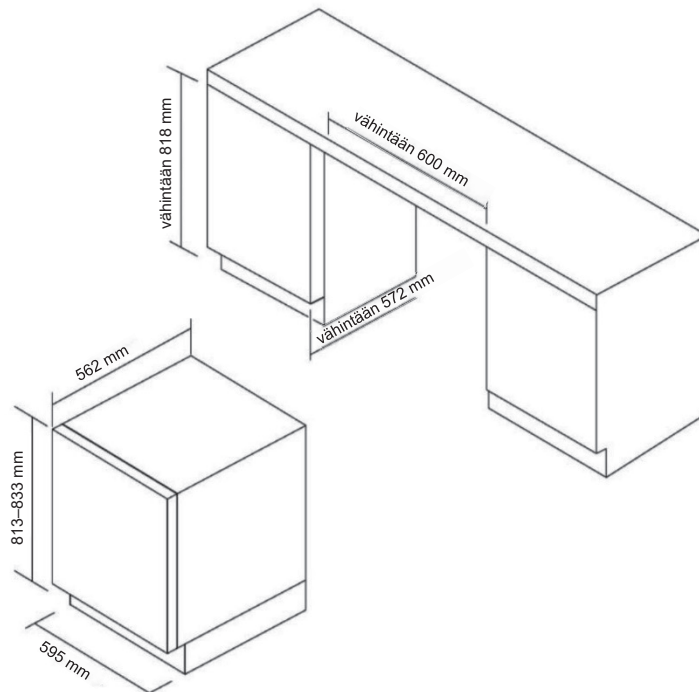
Yhteensä: 46 pulloa (maks.)



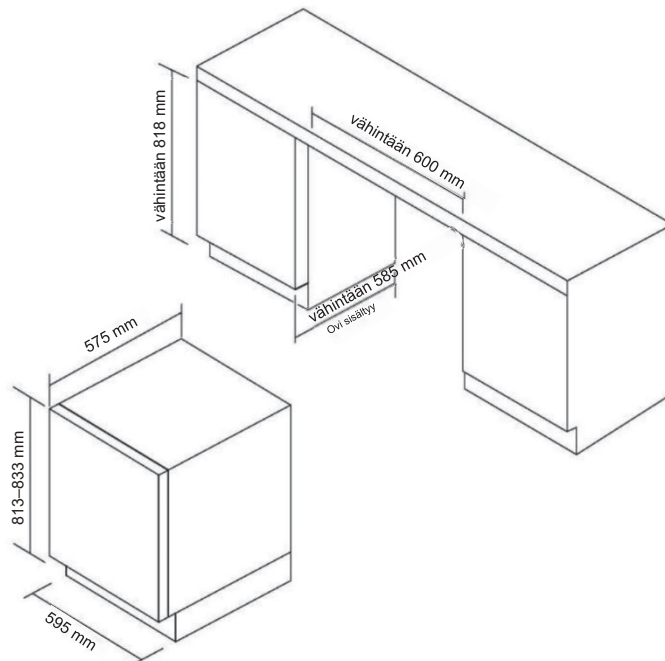
Laite käyttää vähiten energiaa, kun hyllyt on asetettu kaappiin. Katso yllä olevat kuvat.

➤ **Asennustiedot, kun viinikaappi sijoitetaan kalusteisiin**

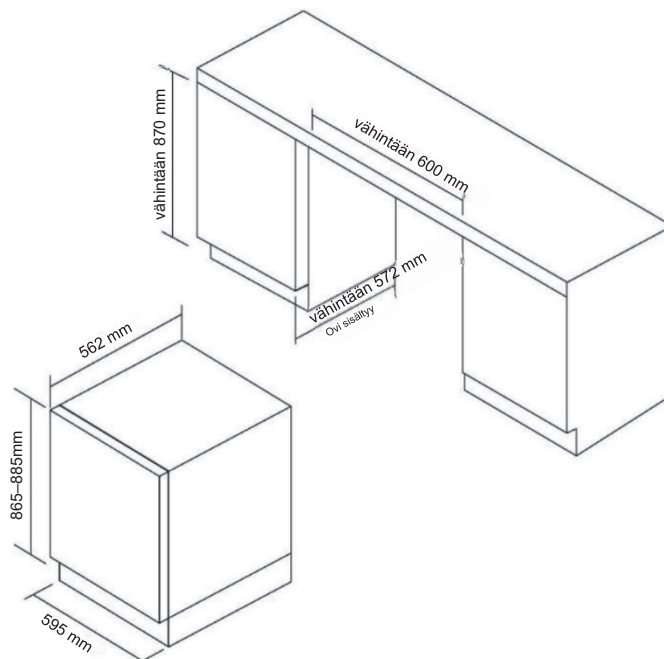
Korkeus 813 mm, täyslasinen/ruostumattomasta teräksestä valmistettu teräsovi



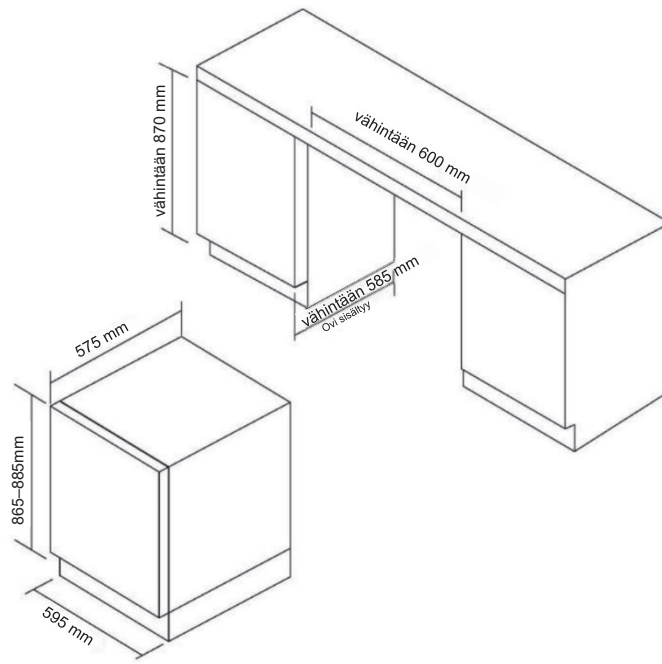
Korkeus 813, ohut, ruostumattomasta teräksestä valmistettu ovi



Korkeus 865 mm, täyslasinen/ruostumattomasta teräksestä valmistettu teräsovi



Korkeus 865 mm, ohut, ruostumattomasta teräksestä valmistettu ovi



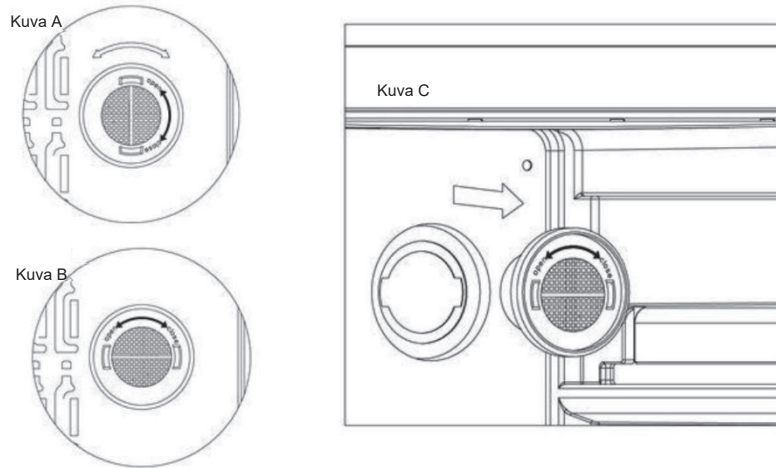
KUNNOSSAPITO JA HUOLTO

➤ Viinikaapin puhdistus

- Katkaise virta, irrota laite pistorasiasta ja poista kaikki osat, mukaan lukien hyllyt ja teline.
- Pese sisäpinnat liuoksella, jossa on lämmintä vettä ja ruokasoodaa. Seoksessa pitäisi olla 2 ruokalusikallista ruokasoodaa ja litra vettä.
- Pese hyllyt miedolla pesuaineliuoksella.
- Purista sienestä tai liinasta liika vesi pois ennen säätimien tai minkään sähköosien puhdistamista.
- Pese kaapin ulkopuoli lämpimällä vedellä ja miedolla puhdistusaineella. Huuhtelee hyvin ja pyyhi kuivaksi pehmeällä, puhtaalla liinalla.

➤ **Miten hiilisuodatin vaihdetaan (jos laitteessasi on sellainen)?**

- Hiilisuodattimet sijaitsevat kunkin viinikaappialueen oikeassa yläkulmassa.
- Avaa ovi ja poista kaksi ylähyllyä (katko ohjeet hyllyjen poistamiseen).
- Käännä suodatinta kuvan A mukaisesti.
- Suodattimen tulisi olla lovien kanssa linjassa kuvan B mukaisesti.
- Vedä suodatin ulos (kuva C).
- Aseta vaihtosuodatin paikalleen ja kierrä sitä kuvan A mukaisesti, jotta se lukittuu paikalleen.
- Asenna hyllyt takaisin.



➤ **Sähkökatkos**

- Useimmat sähkökatkokset kestävät vain muutaman tunnin, eikä niiden pitäisi vaikuttaa laitteen lämpötilaan, jos ovea avataan mahdollisimman vähän. Jos virta on poikki kauemmin, sinun tulisi tehdä tarvittavat toimet kaapin sisällön suojelemiseksi.

➤ **Loma-ajat**

- **Lyhyet lomat:** Voit jättää laitteen päälle enintään kolmen viikon pituisten lomien ajaksi.
- **Pitkät lomat:** Jos laitetta ei käytetä useaan kuukauteen, poista kaikki sisältö ja katkaise laitteesta virta. Puhdista ja kuivaa sisusta huolellisesti. Hajun ja homeen kasvun estämiseksi jätä ovi hieman auki ja estä sen sulkeutuminen vahingossa.

➤ **Viinikaapin siirtäminen**

- Poista kaikki sisältö.
- Teippaa huolellisesti kaikki laitteen sisäosan irtonaiset osat (hyllyt).
- Käännä säädettävä jalka ylös runkoon vaurioiden välttämiseksi.
- Teippaa ovi kiinni.
- Varmista, että laite pysyy turvallisesti pystyasennossa kuljetuksen ajan. Suojaa laitteen ulkopuoli myös peitolla tai vastaavalla.

➤ **Energiansäästövinikit**

- Viinikaappi on sijoitettava huoneen viileimpään paikkaan, pois lämpöä tuottavista laitteista ja suorasta auringonvalosta.

ONKO SINULLA VIINIKAAPIN/JUOMAKAAPIN KÄYTTÖONGELMIA?

Voit ratkaista monia yleisiä viinikaapin tai juomakaapin ongelmia helposti itse ja säästää mahdollisten huoltokäyntien kustannukset. Kokeile seuraavia ehdotuksia, jotta näet, saatko ratkaistua ongelman ennen huoltomiehelle soittamista.

VIANETSINTÄOPAS

ONGELMA	MAHDOLLINEN SYY
Viinikaappi/juomakaappi ei toimi.	Pistoke ei ole pistorasiassa. Laitteen virta on katkaistu. Vikavirtakytkin on lauennut tai sulake on palanut.
Viinikaappi/juomakaappi ei ole tarpeeksi kylmää.	Tarkista lämpötilasäädön asetus. Ulkoinen ympäristö saattaa edellyttää suurempaa asetusta. Ovea avallaan liian usein. Ovi ei ole kunnolla kiinni.
Laitte käynnistyy ja sammuu vähän väliä.	Huoneen lämpötila on tavallista korkeampi. Viinikaappiin/juomakaappiin on lisätty runsaasti sisältöä. Ovea avallaan liian usein. Ovi ei ole kunnolla kiinni. Lämpötilan valitsin ei ole oikeassa kohdassa. Oven tiiviste ei ole tiivis.
Valo ei toimi.	Pistoke ei ole pistorasiassa. Vikavirtakytkin on lauennut tai sulake on palanut. Polttimo on palanut. Valopainike on pois päältä.
Tärinä.	Tarkista, että viinikaappi/juomakaappi on vaakasuorassa.
Viinikaappi/juomakaappi tuntuu liian meluisalta.	Jäähdytysnesteen virtaus saattaa aiheuttaa räminää, mikä on normaalia. Kun jäähdytys loppuu, saatat kuulla kurlaavia ääniä, jotka aiheutuvat viinikaapin/juomakaapin jäähdytysnesteen virtauksesta. Sisäseinien supistuminen ja laajeneminen saattaa aiheuttaa poksahdusta ja ratinaa. Viinikaappi/juomakaappi ei ole vaakasuorassa.
Ovi ei sulkeudu kunnolla.	Viinikaappi/juomakaappi ei ole vaakasuorassa. Ovi on käännetty eikä sitä ole asennettu oikein. Tiiviste on likainen. Hyllyt eivät ole oikeassa asennossa..

Jos haluat ottaa yhteyttä tekniseen tukeen, vieraile verkkosivustossamme osoitteessa:

<https://corporate.haier-europe.com/en/>. Valitse osiosta "verkkosivusto" tuotteesi merkki ja maasi. Sinut siirretään seuraavaksi sivulle, josta löydät puhelinnumeron ja lomakkeen, jonka täyttämällä voit pyytää teknistä tukea

➤ **Varaosien saatavuus**

- Termostaatteja, lämpötilan tunnistimia, painettuja piirilevyjä ja valonlähteitä on saatavilla varaosina vähintään 7 vuoden ajan sen jälkeen, kun kyseisen mallin viimeinen kappale on tullut myyntiin.
- Ovien kädensijat, ovien saranat, alustat ja korit ovat saatavina varaosina vähintään 7 vuoden ajan ja ovitiivisteet vähintään 10 vuoden ajan sen jälkeen, kun kyseisen mallin viimeinen kappale on tullut myyntiin.

Suosittelut lämpötila-ASETUKSET

KAIKKIEN VIINITYYPPIEN säilytys	12–14 °C
Suositteltava JUONTILämpötila	
Samppanja, vuosikerraton, kuohuviini	6 °C
Samppanja, vuosikerta	10 °C
Kuiva valkoviini, Semillon, Sauvignon Blanc	8 °C
Kuiva valkoviini, Gewurztraminer, Riesling	10 °C
Kuiva valkoviini, Chardonnay	10 °C
Vuosikerta, Chardonnay	14 °C
Makea valkoviini, Sauternes Monbazillac, Late Harvest -jääviini	10 °C
Makeat vuosikertavalkoviinit, Sauternes	14 °C
Beaujolais	13 °C
Punaviini, Pinot Noir	16 °C
Vuosikerta, punaviini, Pinot Noir	18 °C
Punaviini, Cabernet, Merlot, Ranska, Australia, Uusi-Seelanti, Chile, Argentiina, Italia, Espanja, Kalifornia	18 °C
Punaviini, Grenache, Syrah	16 °C

Lisätietoja tuotteesta on saatavissa osoitteessa <https://eprel.ec.europa.eu/tai> skannaamalla laitteen energiamerkissä oleva QR-koodi

Norsk

Takk for at du har kjøpt dette produktet.

Før du bruker kjøleskapet, må du lese denne brukerhåndboken nøye for å få best mulig ytelse. Oppbevar all dokumentasjon for senere bruk eller for andre eiere. Dette produktet er utelukkende beregnet på husholdningsbruk eller lignende bruksområder, for eksempel:

- personalets kjøkkenområder i butikker, kontorer og andre arbeidsmiljøer;
- på gårdsbruk, av hotellklientell, moteller og andre boligtyper
- ved seng og hotell (B & B)
- når det gjelder utsalgstjenester, tjenester og lignende bruksområder, er det ikke aktuelt.

Dette apparatet må kun brukes for lagring av mat, eventuell annen bruk anses som farlig, og produsenten vil ikke være ansvarlig for eventuelle utelatelser. Det anbefales at du er oppmerksom på garantivilkårene.

SIKKERHETSINFORMASJON

Les drifts- og installasjonsinstruksjonene nøye!

De inneholder viktig informasjon om hvordan du installerer, bruker og vedlikeholder apparatet.

Produsenten er ikke ansvarlig hvis du ikke overholder instruksjonene og advarslene.

Behold alle dokumentene for senere bruk eller for neste eier.

- **Ikke koble apparatet til strømforsyningen før alle paknings- og transittbeskyttere er fjernet. Hold barn borte fra emballasjen og dens deler. Kvelningsfare på grunn av brettede kartonger og plastfilm!**
- **La kompressoroljen stå i minst fire timer før du slår på produktet for å la kompressoroljen synke hvis den transporteres horisontalt.**
- **Kontroller at det ikke er noen transportskade.**
- **Ikke skad kjølevæskekretsen.**
- **Vedlikehold ventilasjonsåpninger i apparatets kabinett eller i den innebygde konstruksjonen må ikke tildekkes.**
- **Ikke bruk vann til å vaske kompressorens posisjon, tørk av med en tørr klut grundig etter rengjøring for å forhindre rust.**
- **Håndter alltid apparatet med minst to personer fordi det er tungt.**
- **Installer og juster apparatet i et område som passer for størrelse og bruk.**
- **Forsikre deg om at den elektriske informasjonen på typeskiltet stemmer overens med strømforsyningen. Hvis ikke, kontakt en elektriker.**
- **Apparatet drives av en 220-240 VAC / 50 Hz strømforsyning. Unormal spenningssvingning kan føre til at apparatet ikke starter, eller at temperaturreguleringen eller kompressoren blir skadet, eller det kan være unormal støy under bruk. I slike tilfeller skal det monteres en automatisk regulator.**
- **Bare for Storbritannia: Apparatets strømkabel er utstyrt med 3-ledningskontakt (jording) som passer til en standard 3-ledningskontakt**

(jordet). Aldri kutt av eller demonter den tredje pinnen (jording).

Etter at apparatet er installert, skal støpselet være tilgjengelig.

- **Pass på at strømledningen ikke sitter fast under apparatet under og etter at apparatet er fraktet/flyttet, for å unngå at nettkabelen blir kuttet eller skadet. Hvis strømledningen er skadet, må den byttes ut av produsenten, serviceagenten eller tilsvarende kvalifiserte personer for å unngå fare.**
- **Ikke installer apparatet på fuktige, oljete eller støvete steder eller utsett det for direkte sollys eller vann.**
- **Ikke installer apparatet nær varmeren eller brennbart materiale.**
- **FOR apparater med fryserom: hvis det er strømbrydd, må du ikke åpne lokket. Frossen mat bør ikke påvirkes hvis feilen varer i mindre enn de timene som er angitt på klassifiseringsetiketten (temperaturstigningstid). Hvis feilen varer lengre, bør maten sjekkes og spises umiddelbart, eller tilberedes og deretter fryses på nytt.**
- **Hvis du opplever at lokket på apparatet er vanskelig å åpne like etter at du har lukket det, må du ikke bekymre deg. Dette skyldes trykkforskjellen som vil utjevnes og la lokket åpnes normalt etter noen minutter.**
- **Oppbevar ikke medisiner, bakterier eller kjemiske midler i apparatet. Dette apparatet er et husholdningsapparat, det anbefales ikke å lagre materialer som krever strenge temperaturer.**
- **Ikke dra i eller fold strømledningen for mye, eller trykk på pluggen med våte hender.**
- **Ikke oppbevar produkter som inneholder brennbart drivmiddel (f.eks. spraybokser) eller eksplosive stoffer i apparatet. Eksplosjonsfare!**
- **Ikke plasser ustabile gjenstander (tunge gjenstander, beholdere fylt med vann) oppå kjøleskapet for å unngå personskader forårsaket av fall eller elektrisk støt forårsaket av kontakt med vann.**
- **Ikke bruk elektriske apparater inne i matlagingsrom, med mindre de er av den typen som anbefales av produsenten.**
- **Ikke berør innvendige kjøleelementer, spesielt med våte hender, for å unngå sprekker og skader.**
- **Her er barn i fare, personer som har begrensede fysiske, mentale eller sensoriske evner, så vel som personer som har utilstrekkelig kunnskap om sikker bruk av apparatet.**
- **Kontroller at barn og sårbare mennesker har forstått farene. En person som er ansvarlig for sikkerhet, må føre tilsyn med eller instruere barn og sårbare personer som bruker apparatet. Bare barn fra åtte år og oppover kan bruke apparatet.**
- **Barn skal ikke leke med apparatet.**

- Barn mellom 3 og 8 år kan laste og losse dette apparatet.
- FOR apparater med fryserom: oppbevar ikke væsker på flaske eller hermetikk (spesielt kullsyreholdige drikker) i fryserommet. Flasker og bokser kan sprekke!
- FOR apparater med fryserom: Legg aldri frossen mat rett fra fryserommet i munnen. Fare for forbrenning ved lave temperaturer!
- Hold plastdeler og dørpakningen fri for olje og fett. Ellers blir plastdeler og dørtetningen porøs.
- Trekk ut strømledningen fra stikkontakten før du utfører en operasjon.
- Ikke bruk mekaniske enheter eller andre metoder for å akselerere avrimingsprosessen, bortsett fra de som anbefales av produsenten.
- Ikke bruk spisse eller skarpe gjenstander som kniver eller gafler til å fjerne frosten.
- Bruk aldri hårføner, elektriske varmeapparater eller andre slike elektriske apparater for avising.
- Det anbefales å holde pluggen ren, alt for mye støvresten på pluggen kan være årsaken til brann.
- Ikke prøv å reparere, demontere eller modifisere apparatet på egen hånd. I tilfelle reparasjon, kontakt alltid vår kundeservice.
- Overvåk barn mens apparatet rengjøres eller vedlikeholdes.
- Ikke rengjør de kalde glasshyllene med varmt vann. Plutselig temperaturendring kan føre til at glasset knekker.
- **ADVARSEL:** Rørene til kjølekretsen overfører en liten mengde av et miljøvennlig, men brennbart kjølemiddel (R600a) og isolasjonsgass (cyklopentan). Det skader ikke ozonlaget og øker ikke drivhuseffekten. Hvis kjølemediet slipper ut, kan det skade øynene eller antennes.
- Hvis kjølemediekretsen skulle bli skadet:
 - Slå av apparatet og trekk ut støpselet.
 - Hold åpen ild og/eller tennkilder vekk fra apparatet,
 - Ventiler rommet grundig i flere minutter,
 - Informer kundeservice.
- **ADVARSEL:** Ikke skad pluggen og/eller strømledningen. dette kan føre til elektriske støt eller branner.
- **ADVARSEL:** Ikke bruk flere bærbare stikkontakter eller bærbare strømforsyninger. Vi anbefaler ikke bruk av skjoteledninger og flerveisadaptere.
- Ikke prøv å sitte eller stå på toppen av apparatet. Du kan skade deg selv eller skade det. Dette apparatet er ikke designet for stabling med andre apparater.
- Produktet er bare designet og bygget for husholdningsbruk.

- Bare originale deler levert av produsenten kan brukes. Produsenten garanterer at bare disse delene tilfredsstiller sikkerhetskravene.
- Åpning av døren i lange perioder kan føre til en betydelig økning av temperaturen i rommene til apparatet.
 - Rengjør regelmessig overflater som kan komme i kontakt med mat og tilgjengelige dreneringssystemer.
 - Rengjør vanntanker hvis de ikke har blitt brukt i løpet av 48 timer; skyll vannsystemet som er koblet til en vannforsyning, hvis vann ikke har blitt drenert i løpet av fem dager.
 - Oppbevar rått kjøtt og fisk i egnede beholdere i kjøleskapet, slik at det ikke kommer i kontakt med eller drypper på annen mat.
 - Tostjerners frosne matrom (hvis de ses på apparatet) egner seg til oppbevaring av forhåndsforfrosset mat, oppbevaring eller lagning av iskrem, og å lage isbiter.
 - Ett-, to- og trestjerners rom, hvis de er til stede på apparatet, egner seg ikke for frysing av fersk mat.
 - Hvis apparatet blir stående tomt i lange perioder, må du slå av, tine, rense, tørke det, og la døren stå åpen for å forhindre at det utvikler seg mugg i apparatet.
- FOR vinkjølere: Dette apparatet skal utelukkende brukes til oppbevaring av vin
- FOR et frittstående apparat: dette kjøleutstyret er ikke ment å brukes som et innebygd apparat
- FOR apparater uten 4-stjerners rom: dette kjøleapparatet egner seg ikke for frysing av matvarer

Kassering av gamle apparater



Dette apparatet er merket i henhold til det europeiske direktivet 2012/19/EU om elektrisk og elektronisk utstyr (WEEE).

WEEE inneholder både forurensende stoffer (som kan forårsake negative konsekvenser for miljøet) og grunnleggende komponenter (som kan gjenbrukes). Det er viktig å ha WEEE utsatt for spesifikke behandlinger for å kunne fjerne og kassere alle forurensende stoffer på en forsvarlig måte, gjenvinne og resirkulere alle materialer.

Enkeltpersoner kan spille en viktig rolle i å sikre at WEEE ikke blir et miljøproblem. Det er avgjørende å følge noen få grunnleggende regler:

- WEEE skal ikke behandles som husholdningsavfall.
- WEEE skal overleveres til de relevante innsamlingspunktene som administreres av kommunen eller av registrerte selskaper. I mange land kan det for store WEEE forekomme hjemmeinnsamling.

I mange land, når du kjøper et nytt apparat, kan det gamle bli returnert til forhandleren som må samle det inn gratis på en til en-basis, så lenge utstyret er av tilsvarende type og har samme funksjoner som det medfølgende utstyret.

Samsvar

Ved å plassere **CE**-merket på dette produktet, bekrefter vi at produktet overholder alle relevante krav til sikkerhet, helse og miljø som gjelder lovgivningen for dette produktet.

Garanti

Minimumsgarantien er: 2 år for EU-land, 3 år for Tyrkia, 1 år for Storbritannia, 1 år for Russland, 3 år for Sverige, 2 år for Serbia, 5 år for Norge, 1 år for Marokko, 6 måneder for Algeria, Tunisia ingen juridisk garanti.

Energisparing

For bedre energisparing foreslår vi:

- Hvis apparatet installeres unna varmekilder, og ikke utsettes for direkte sollys eller i et godt ventilert rom.
- Unngå å plassere varm mat inn i kjøleskapet for å unngå å øke temperaturen innvendig og dermed føre til kontinuerlig funksjonalitet på kompressoren.
- Ikke stable for mye mat for å sikre korrekt luftsirkulasjon.
- Avrim apparatet i tilfelle det er is som legger til rette for kald overføring.
- Ved manglende elektrisk energi anbefales det å holde kjøleskapdøren lukket.
- Åpne eller hold dørene på apparatet så åpne som mulig
- Unngå å justere innstillingen til for kalde temperaturer.
- Fjern støv på baksiden av apparatet

Lyskilden (LED) kan kun skiftes ut av en fagmann
Dette produktet inneholder en lyskilde av energiklasse G

MONTERINGSINSTRUKSJONER

➤ Før du bruker vinkjøleren din

- Fjern utvendig og innvendig pakning.
- Før du kobler vinkjøleren til strømkilden, skal den stå oppreist i ca. to timer. Dette reduserer muligheten for en feil i kjølesystemet når det gjelder håndtering under transport.
- Rengjør den innvendige overflaten med lunkent vann med en myk klut.
- Velg et autorisert anlegg når du skal kassere apparatet.

➤ Installasjon av vinkjøleren din

- Dette apparatet er beregnet på frittstående installasjon eller innebygd (nedfelt) (se klistremerke på plasseringen av denne enheten).
- Dette apparatet skal utelukkende brukes til oppbevaring av vin eller drikker.
- Plasser vinkjøleren på et gulv som er sterkt nok til å støtte det når det er fullastet. For å jevne ut vinkjøleren må du justere frontnivåbeinet nederst på vinkjøleren.
- Dette apparatet bruker antennelig kjølemedium. Så du må aldri skade kjølerørene under transporten. Plasser vinkjøleren bort fra direkte sollys og varmekilder (ovn, varmeapparat, radiator, osv.). Direkte sollys kan påvirke det akryliske belegget og varmekildene kan øke det elektriske forbruket. Ekstreme kalde omgivelsestemperaturer kan også forårsake at enheten ikke fungerer som den skal.
- Unngå å lokalisere enheten i fuktige områder.
- Plugg vinkjøleren i et eksklusivt, montert vegguttak korrekt. Ikke under noen omstendigheter må du koble eller fjerne den tredje (jord) ledningen fra strømledningen. Eventuelle spørsmål angående strøm og/eller jording skal rettes mot en kvalifisert elektriker eller et autorisert produktservicesenter.

➤ OBS

- Oppbevar vin i forseglede flasker;
- Ikke overbelast skapet;
- Ikke åpne døren med mindre det er nødvendig;
- Ikke dekk til hyllene med aluminiumsfolie eller annet hyllemateriale som kan hindre luftsirkulasjon;
- Hvis vinkjøleren skal lagres uten bruk i lengre perioder, bør den etter en nøye rengjøring etterlates med døren litt åpen slik at det kan sirkulere luft inne i skapet for å unngå at det dannes kondens, mugg eller lukt.

➤ Grenser for omgivelsesromtemperatur

Dette apparatet er utviklet for bruk i omgivelsestemperaturer angitt av temperaturklassen som er merket på merkeplaten.

- utvidet temperaturs (SN): 'dette kjøleapparatet er ment å brukes ved omgivelsestemperaturer fra 10 °C til 32 °C'.





- temperaturs (N): 'dette kjøleapparatet er ment å brukes ved omgivelsestemperaturer fra 16 °C til 32 °C'.

- subtropisk (St): 'dette kjøleapparatet er ment å brukes ved omgivelsestemperaturer fra 16 °C til 38 °C'.



SLIK BETJENER DU DIN VINKJØLER/DRIKKEKJØLER OG STILLER INN TEMPERATURKONTROLLEN

➤ Kontrollsysteminstruksjon



- **""-knappen**
Hvis du vil kontrollere dette apparatet, slår du av/på (trykk og hold denne knappen inne i ca. tre sekunder).
- **""-knappen**
For å kontrollere på/av av det indre lyset.
- **""-knappen**
Slik angir du temperaturen på det øvre kammeret.
- **""-knappen**
Slik angir du temperaturen på det nedre kammeret.
- **LED-displayvindu til venstre**
Slik angir du temperaturen på det øvre kammeret.
- **LED-displayvindu til høyre**
Slik angir du temperaturen på det nedre kammeret.
- **Indikatorlys**
Kompressor på driftsskjerm.

➤ Innstilling av temperaturkontrollene

- Når du trykker på ""- eller ""-knappen, kommer systemet til å gå inn i oppsettmodusen automatisk i det øvre eller nedre rommet. LED-indikatoren blinker og viser innstillingstemperaturen.
Trykk på knappen når knappen er inne, noe som vil redusere eller øke 1 °C. Ved overskridelse av minimumsverdien som kan etableres, går den automatisk over til høyeste justerbar temperaturverdi. Når du har sluttet å trykke på knappen i fem sekunder, slutter LED-skjermen å blinke, og deretter går du tilbake for å vise temperaturen på det øvre eller nedre rommet.
- Når enheten er frakoblet, går systemet tilbake til angitt temperatur, som settes fra fabrikk.
Akvivalenstemperaturen som nedenfor:
Øvre rom: 6 °C
Nedre rom: 12 °C
- Hvis du ønsker at hver innendørsinnstillingstemperatur skal vises, kan du trykke på "Still inn øvre"- eller "Still inn lavere"-knappen, lampen vil blinke og vise innstillingstemperaturen. Når du har sluttet å trykke på knappen i fem sekunder, slutter LED-skjermen å blinke, og deretter går den tilbake for å vise den aktuelle temperaturen.

Øvre rom: Temperaturinnstillingen kan justeres fra 5 °C til 10 °C.

Nedre rom: Temperaturinnstillingen kan justeres fra 10 °C til 18 °C.

➤ **Temperaturalarm**

Hvis temperaturen på innsiden er høyere enn 23 °C, vises den på displaypanelet, og etter en time etter alarmen/summeren lyder. Dette indikerer at temperaturen på innsiden er for høy.

Hvis temperaturen på innsiden er lavere enn 0 °C, vil den vise "LO" på displaypanelet og samtidig vise at alarmfeilindikatoren er aktiv.

➤ **Temperaturreinnhentingfunksjon**

Ved strømbrudd kan vinkjøleren huske de forrige temperaturinnstillingene, og når strømmen gjenvinnes, vil kjøletemperaturen starte den samme innstillingstemperaturen som ved avslått strøm.

➤ **Innvendig lys**

For å redusere energiforbruket, vil dette skapet automatisk slå av LED-lysene etter ti minutter.

Hvis du vil at LED-lampen skal være på kontinuerlig, er det mulig. Trykk og hold inne knappen "LYS" i fem sekunder. Skjermen viser "LP". Etter fire sekunder vil skjermen gå tilbake til normalt, og lampen vil lyse til lyset slås av manuelt.

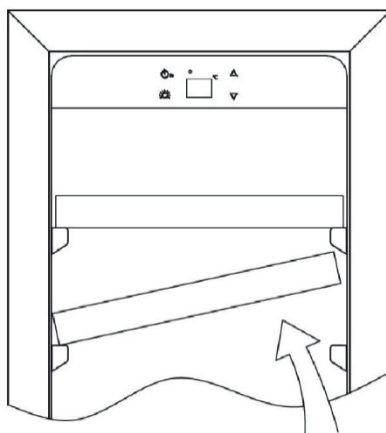
Hvis du ønsker å gå tilbake og spare energi (anbefales), trykker du på og holder inne knappen "LYS" i fem sekunder. Displayet viser "LF", etter fire sekunder vil skjermen gå tilbake til vanlig, og lyset vil slås av automatisk etter ti minutter.

➤ **Hyller**

- For å hindre å skade dørpakningen, må du sørge for at døren hele veien åpnes når du trekker hyller ut av skinnerommet.
- For enkel tilgang til lagringsinnholdet skal du trekke hyllene ca. 1/3 ut av skinnerommet, men denne enheten ble utformet med et hakk på hver side av hyllesporene for å hindre at flasker faller ned.
- Når du fjerner noen av disse hyllene ut av skinnerommet, kan du montere eller fjerne hyllen ved å vippe hyllen slik det er vist i diagrammet, og trekke den ut, eller skyve inn hyllen til den sitter på støttebraketten.

➤ **MERK:**

- Hvis du kobler fra enheten, strømmen forsvinner eller slås av, må du vente tre til fem minutter før du starter enheten på nytt. Hvis du prøver å starte på nytt før denne tidsforsinkelsen, vil vinkjøleren/drikkekjøleren ikke starte.
- Når du bruker vinkjøleren/drikkekjøleren for første gang, eller ved ny start av vinkjøleren/drikkekjøleren etter å ha blitt slått av over lengre tid kan det være noen grader avvik mellom temperaturen du velger, og den angitt på LED-avlesningen. Dette er normalt, og dette skyldes aktiveringstiden. Når vinkjøleren/drikkekjøleren går noen timer igjen, vil alt være tilbake til den normale.



➤ **Slik endrer du døråpningen**

Dette apparatet har reversible dører, men leveres med en høyre hengslet dør. Det venstre hengselsettet leveres med enheten (i boksen) hvis du vil reversere hengselen til enheten.

Type A (for hel glass-/rustfri ståldør)

- | | | |
|---------------------------|-------------------------|----------------------------|
| 1. Nedre hengsel (høyre) | 2. Skruer | 3. Dørakse |
| 4. Dør | 5. Øvre hengsel (høyre) | 6. Hengselskruer |
| 7. Øvre hengsel (venstre) | 8. Hulldeksel | 9. Nedre hengsel (venstre) |
| 10. Dørgrenseenhet | 11. Skruer | |

1. Åpne døren til en 90 graders vinkel, ta ut de to skruene (2) fra nedre dørakse (3), fjern døren (4), fjern akseplaten (3) fra døren, (Figur A).

2. Skru løs skruen (11) under dørrammen og grensebryteren (10), og flytt den i venstre endeside på dørrammen. (Fig. A/B)

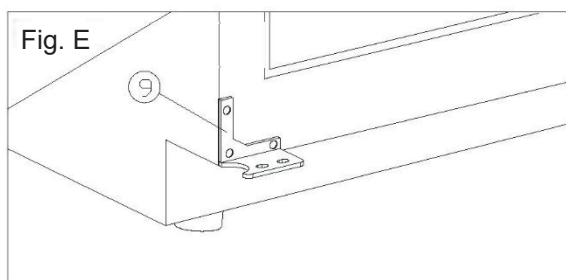
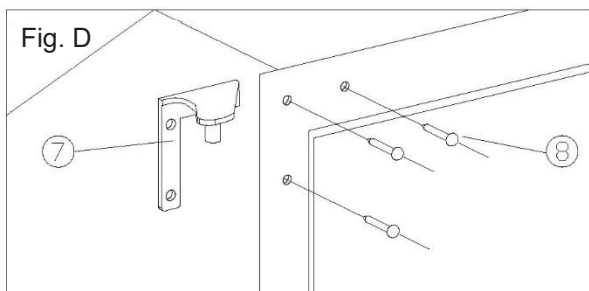
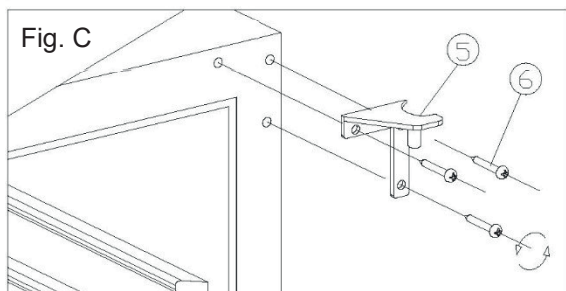
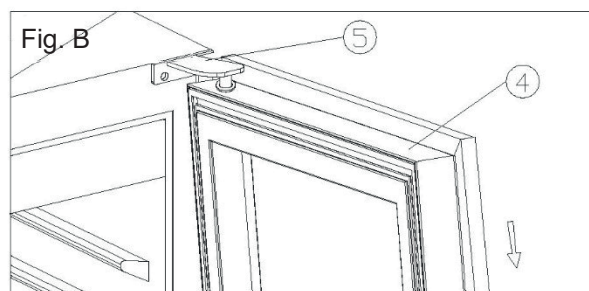
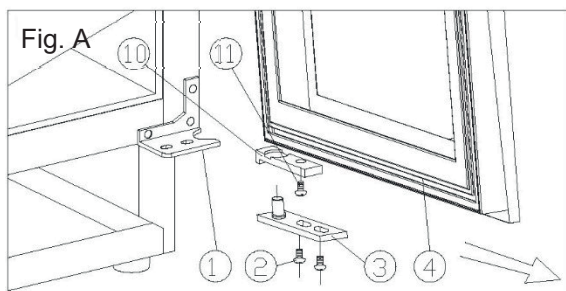
3. Ta ut de tre hengselskruene (6) fra øvre hengsel (høyre) (5) og fjern den. (Fig. C)

4. Fjern dekorativ nagle (8) fra venstre topp av skapet, og installer reservetopphengselen (venstre) (7) øverst på skapet med tre skruer. (Fig. D)

5. Installer den nedre hengselen til venstre (9) ved å følge prosedyren ovenfor. (Fig. E)

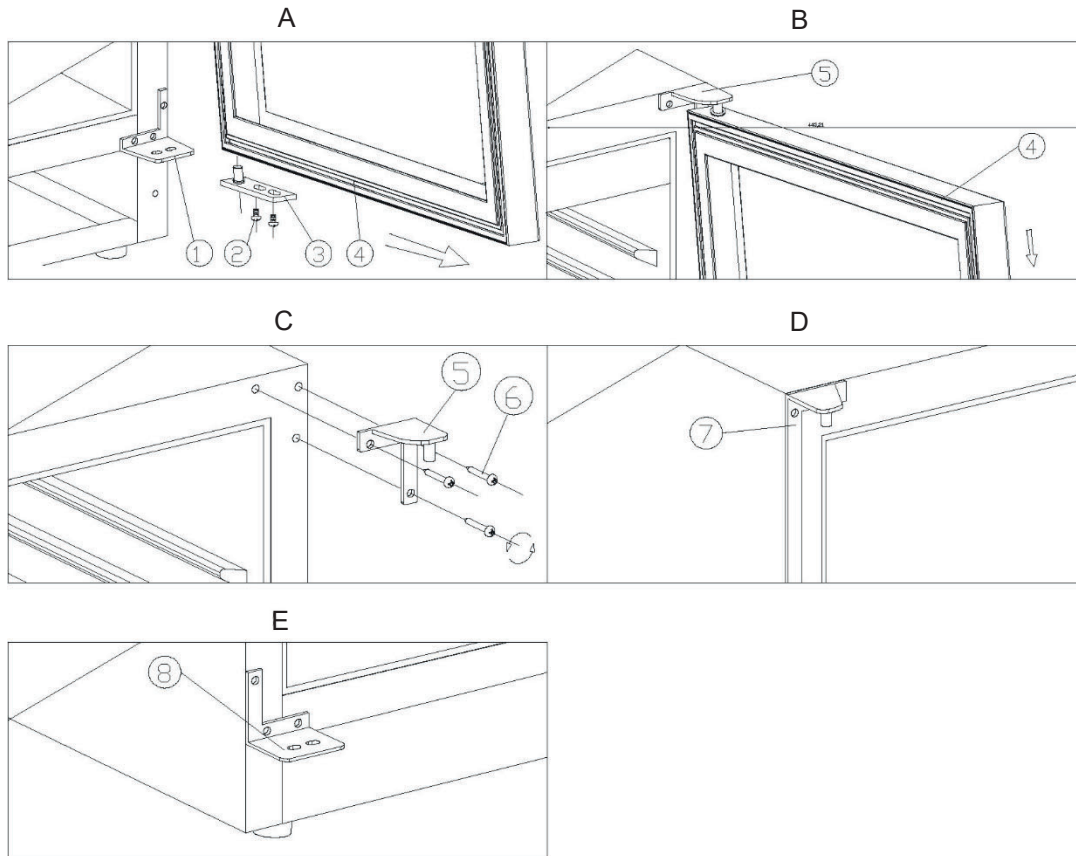
6. Installer og juster døren.

7. Sett inn plasthettene for å dekke hullene (8)



Type B (for en slank dør i rustfritt stål)

- | | | |
|---------------------------|----------------------------|------------|
| 1. Nedre hengsel (høyre) | 2. Skruer | 3. Dørakse |
| 4. Dør | 5. Øvre hengsel (høyre) | 6. skruer |
| 7. Øvre hengsel (venstre) | 8. Nedre hengsel (venstre) | |

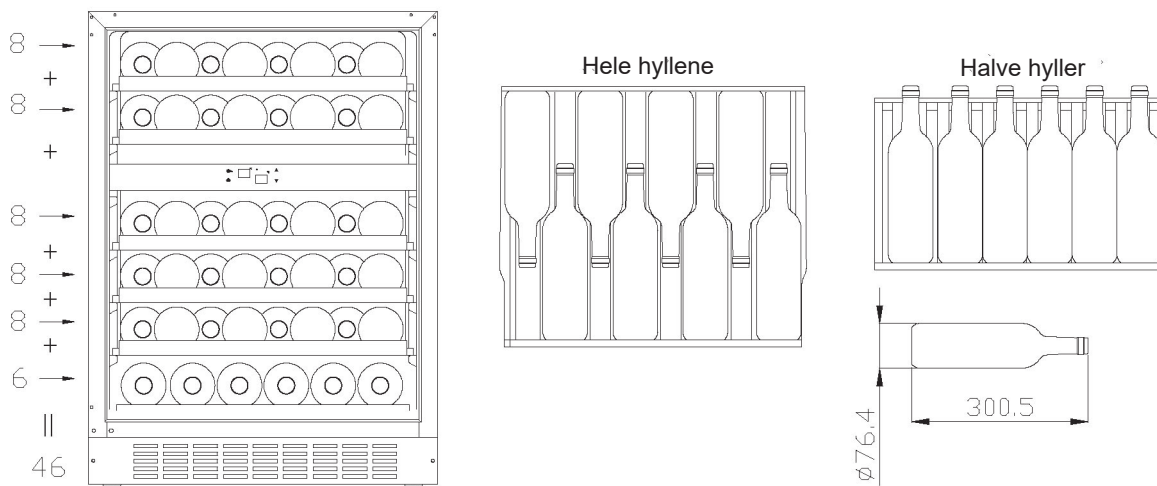


1. Fjern to skruer(1) og trekk deretter døren(4) som vist i pilholderetningen. Du vil fjerne døren. Fjern nedre hengsel (høyre) (1) også for montering. (Fig. A og Fig.B)
2. For å fjerne tre skruer (6) fra øvre hengsel, deretter for å fjerne høyre øvre(5) og høyre nedre hengsler(1). (Se fig. C)
3. For å bruke skruene som du fjernet fra høyre sidehengsel for å feste venstre hengsel for øvre og nedre hengsel(7)(8).(Se fig.D og Fig.E)
4. For å rotere døren på 180 grader må du montere døren i motsatt rekkefølge av å fjerne den

➤ **Oppbevaringsdiagram**

Kontroller faktisk oppbevaringsdiagram i henhold til produktets faktiske konfigurasjon.

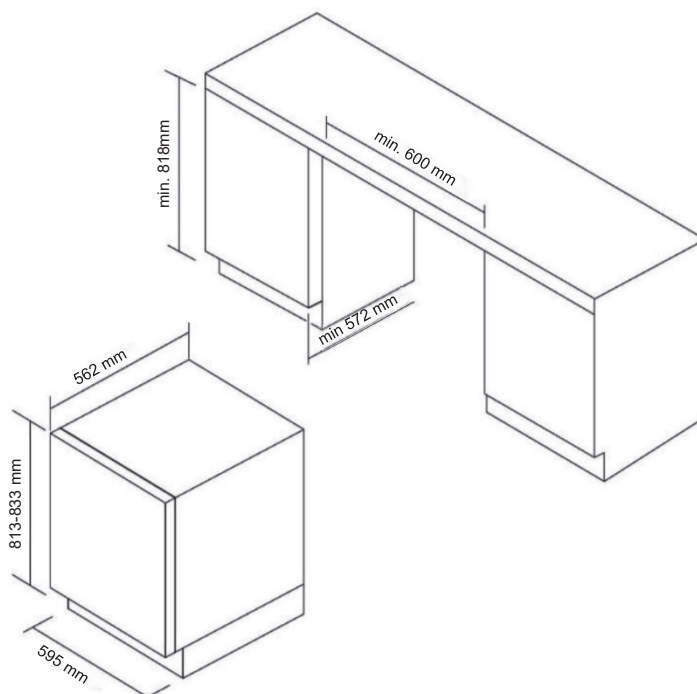
Totalt: 46 flasker (maks.)



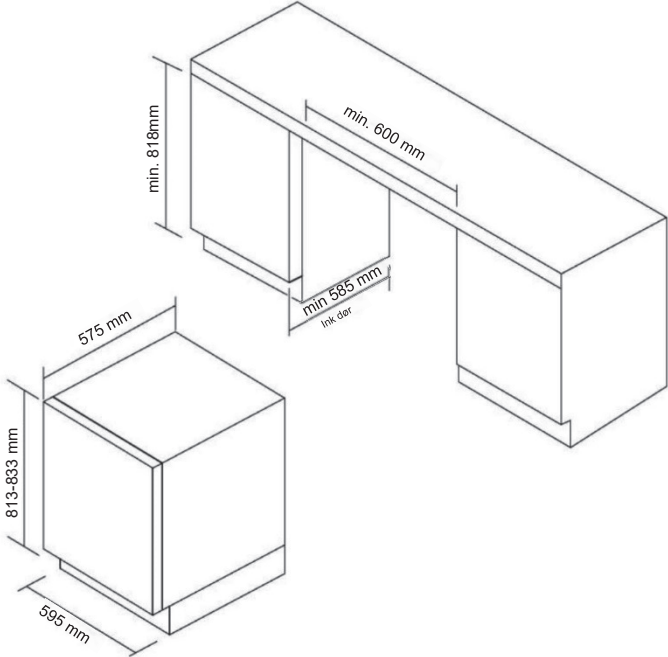
Den mest energibesparende konfigurasjonen krever at hyller plasseres i produktet, se bildene ovenfor.

➤ **Installasjonsspesifikasjoner for innebygde formål**

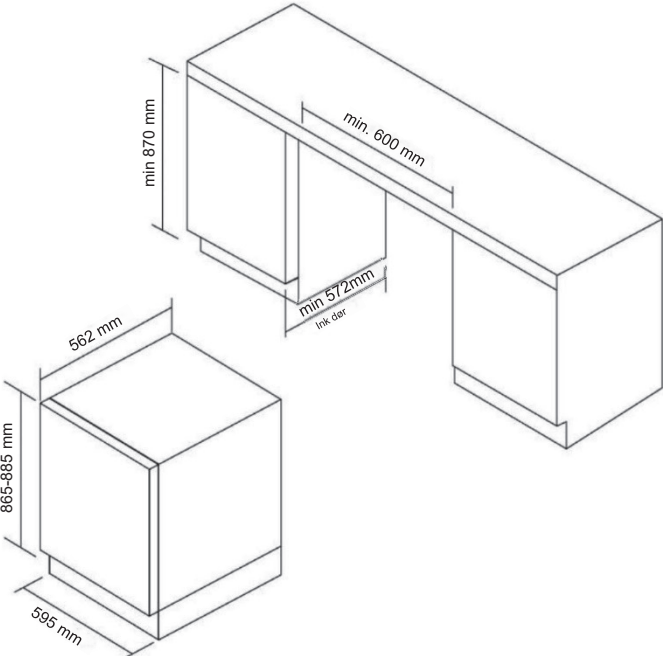
For høyde 813 mm med full glass-/rustfritt ståldør



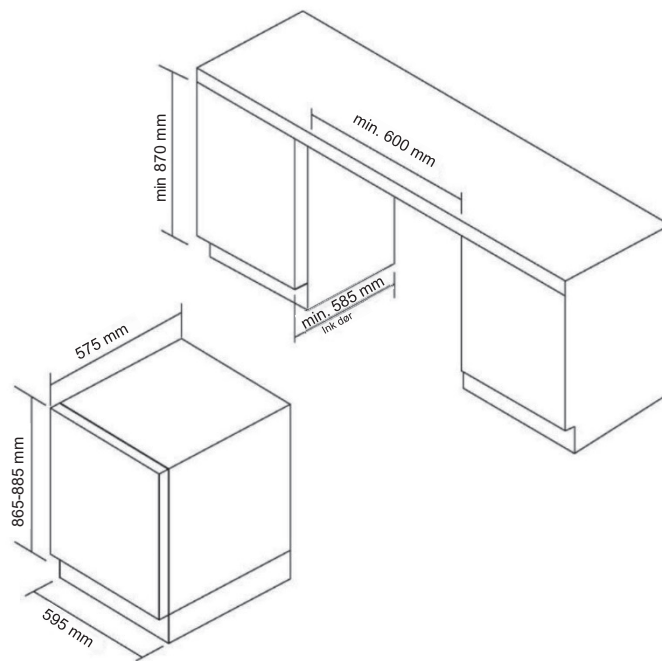
For høyde 813 med slank dør i rustfritt stål



For høyde 865 mm med hel glass-/rustfri ståldør



For høyde 865 mm med slank dør i rustfritt stål



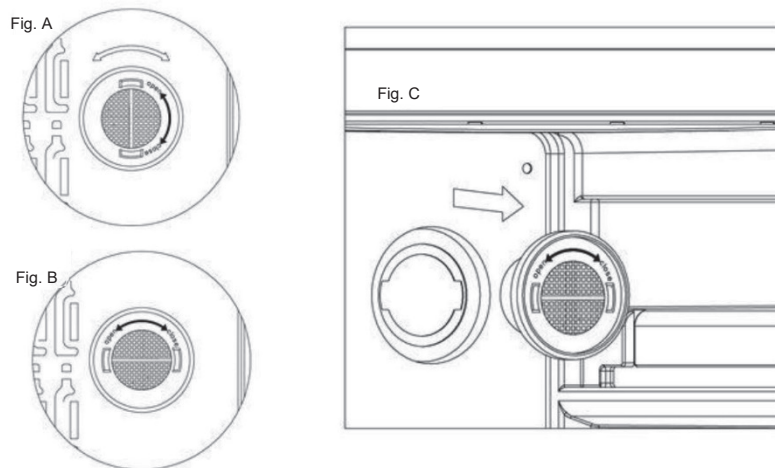
VASK OG VEDLIKEHOLD

➤ Rengjøring av vinkjøleren

- Slå av strømmen, trekk ut apparatet og fjern alle artikler, inkludert hyller og stativ.
- Vask overflatene på innsiden med en varmt vanns- og bakepulverløsning. Løsningen bør være ca. to spiseskjeer bakepulver til en kvartdel med vann.
- Vask hyllene med et mildt vaskemiddel.
- Vri bort overflødig vann fra svampen eller kluten ved rengjøring av området i kontrollene eller eventuelle elektriske deler.
- Vask utsiden av skapet med varmt vann og mildt flytende vaskemiddel. Skyll godt og tørk det med en ren og myk klut.

➤ **Slik skifter du det koksgrå filteret (hvis dette er til stede i apparatet)**

- Kullfiltere befinner seg øverst i høyre hjørne av hver vinkabinettssone.
- Åpne døren og fjern de to øverste hyllene (se Fjerne hyllene).
- Drei filteret i henhold til fig. A.
- I henhold til fig. B skal filteret stå på linje med hakkene som vist.
- Trekk ut filteret (figur C).
- Sett i nytt filter og vri det i samsvar med fig. A for å låse på plass.
- Monter hyllene på nytt.



➤ **Strømbrudd**

- De fleste strømfeil rettes opp innen noen få timer, og de bør ikke påvirke temperaturen på apparatet hvis du minimerer antall ganger døren åpnes. Hvis strømmen skal være slått av over lengre tid, må du iverksette de riktige trinnene for å beskytte innholdet.

➤ **Ferietid**

- **Korte ferier:** La vinkjøleren være i drift i løpet av ferien på mindre enn tre uker.
- **Lange ferier:** Hvis apparatet ikke skal brukes i flere måneder, må du fjerne alle artikler og slå av apparatet. Rengjør og tørk interiøret grundig. For å hindre vond lukt og muggvekst, la døren være åpen litt; blokker den åpen ved behov.

➤ **Flytte vinkjøleren**

- Fjern alle elementer.
- Tape godt ned alle løse gjenstander (hyller) inni apparatet.
- Vri det justerbare beinet opp til sokkelen for å unngå skade.
- Teip dørlåsen.
- Kontroller at apparatet holder seg i loddrett stilling under transport. Beskytt også utsiden av apparatet med et teppe eller lignende.

➤ **Tips for energisparing**

- Vinkjøleren bør plasseres i det kaldeste området av rommet, borte fra varmeproduksjonsapparater og ikke i direkte sollys.

PROBLEMER MED VINKJØLEREN/DRIKKEKJØLEREN?

Du kan løse mange vanlige problemer med vinkjøleren/drikkekjøleren lett og spare deg for en mulig servicesamtale. Prøv forslagene nedenfor for å se om du kan løse problemet før du ringer service.

FEILSØKINGSVEILEDNING

PROBLEM	MULIG ÅRSAK
Vindkjøleren/drikkekjøleren fungerer ikke.	Ikke plugges i. Apparatet er slått av. Effektbryteren er utløst eller en sikring har gått.
Vindkjøler/drikkekjøleren er ikke kald nok.	Kontroller temperaturkontrollinnstillingen. Eksterne omgivelser kan kreve en høyere innstilling. Døren åpnes for ofte. Døren er ikke helt lukket.
Slås ofte av og på.	Romtemperaturen er varmere enn normalt. Det er lagt til store mengder innhold i vinkjøleren/drikkekjøleren. Døren åpnes for ofte. Døren er ikke helt lukket. Temperaturkontrollen er ikke stilt inn riktig. Dørpakningen tetter ikke ordentlig.
Lyset fungerer ikke.	Ikke plugges i. Effektbryteren er utløst eller en sikring har gått. Pæren er utbrent. Lysknappen er "AV".
Vibrasjoner.	Kontroller at vinkjøleren/strømkjøleren er plan.
Vinkjøleren/drikkekjøleren ser ut til å avgis for mye støy.	Den harde støyen kan komme fra strømmen av kjølemiddelet, som er normalt. Når hver syklus avsluttes, kan du høre skyllelyder som forårsakes av strømmen av kjølevæske i vinkjøleren/drikkekjøleren. Sammentrekning og utvidelse av de innvendige veggene kan føre til poppe- og sprekkylder. Vindkjøleren/drikkekjøleren er ikke plan.
Døren lukkes ikke ordentlig.	Vindkjøleren/drikkekjøleren er ikke plan. Døren ble snudd og ikke ordentlig montert. Pakningen er skitten. Hyllene er ute av stilling.

For å kontakte teknisk hjelp, kan du gå til nettstedet vårt: <https://corporate.haier-europe.com/en/> Under avsnittet "nettside" velger du produktmerket og landet ditt. Du vil bli omdirigert til det spesifikke nettstedet der du finner telefonnummeret og skjemaet for å kontakte teknisk assistanse.

➤ **Tilgjengelighet av reservedeler**

- Termostater, temperatursensorer, kretskort og lyskilder er tilgjengelige i minst sju år etter at den siste enheten av modellen er markedsført.
- Dørhåndtak, dørhengsler, skuffer og kurver i minst sju år og dørpakninger i minimum ti år, etter å ha brakt den siste enheten av modellen på markedet.

Anbefalte temperaturinnstillinger

For lagring av ALLE VINTYPER	12 °C til 14 °C
Anbefalt DRIKKETEMPERATUR	
Champagne NV, Sparkling	6 °C
Champagne Vintage	10 °C
Dry White Semillon, Sauvignon Blanc	8 °C
Dry White Gewurztraminer, Riesling	10 °C
Dry White Chardonnay	10 °C
Vintage Chardonnay	14 °C
Sweet White Sauternes Monbazillac, Late Harvest ice wine	10 °C
Sweet whites vintage Sauternes	14 °C
Beaujolais	13 °C
Red Pinot Noir	16 °C
Vintage Pinot Noir red	18 °C
Red Cabernet, Merlot, French, Australian, New Zealand, Chilean, Argentinean, Italian, Spanish, Californian	18 °C
Red Grenache, Syrah	16 °C

For ytterligere informasjon om produktet, se <https://eprel.ec.europa.eu/> eller skann QR-koden på energimerket som fulgte med apparatet.

Svenska

Tack för att du köpt den här produkten.

Innan du använder kyl- och frysskåpet, läs noga igenom denna bruksanvisning för att få bästa möjliga funktion. Förvara all dokumentation för senare användning eller för andra ägare. Denna produkt är endast avsedd för hushållsbruk eller liknande tillämpningar såsom:

- personalkök i butiker, kontor och andra arbetsmiljöer
- på gårdar, hotellkundkretsar, motell och andra boendemiljöer
- på bed and breakfast (B & B)
- för cateringtjänster och liknande användning, inte för detaljhandel.

Denna apparat får endast användas för förvaring av livsmedel. All annan användning anses vara farlig och tillverkaren ansvarar inte för eventuella förluster. Du rekommenderas också att ta del av garantivillkoren.

SÄKERHETSINFORMATION

Läs bruks- och installationsanvisningarna noggrant!

De innehåller viktig information om hur du ska installera, använda och underhålla apparaten.

Tillverkaren ansvarar inte för följder på grund av att instruktioner och varningar inte följs.

Spara alla dokument för framtida behov, eller för nästa ägare.

- **Avlägsna förpackningen och alla transportskydd innan du ansluter apparaten till elförsörjningen. Håll allt förpackningsmaterial och dess delar utom räckhåll för barn.**

Material som vikbara kartonger och plastfilm utgör kvävningsrisk!

- **Låt stå i minst 4 timmar innan du slår på produkten, så att kompressoroljan kan sätta sig om den transporteras horisontellt.**
- **Se till att det inte finns några transportskador.**
- **Skada inte köldmediekretsen.**
- **Täck inte över ventilationsöppningar i produktens hölje eller i den inbyggda strukturen.**
- **Använd aldrig vatten för att tvätta kompressorns underlag, torka av det noggrant med en torr trasa efter rengöring för att förhindra rost.**
- **Apparaten är tung och ska hanteras av minst två personer.**
- **Installera och nivellera apparaten på en lämplig plats med hänsyn till användning och storlek.**
- **Kontrollera att den elektriska informationen på typskylten överensstämmer med strömförsörjningen. Om den inte gör det, kontakta en elektriker.**
- **Apparaten drivs av en strömförsörjning på 220-240 VAC/50 Hz. Onormala spänningsvariationer kan göra att apparaten inte startar, skada temperaturkontrollen eller kompressorn eller låta konstigt under drift. Om det är så, ska en automatisk regulator installeras.**

- **Endast för UK: Apparatens strömkabel är försedd med en 3-polig jordad kontakt som passar ett standarduttag med 3 poler (jordad). Klipp aldrig av eller demontera den tredje polen (jordad). Kontakten ska vara tillgänglig när apparaten är installerad.**
- **Se till att nätkabeln inte fastnar under apparaten under och efter att du har transporterat/flyttat apparaten, för att undvika att nätkabeln skärs av eller blir skadad. Om elsladden skadas måste den bytas av tillverkaren, dennes serviceombud eller liknande kvalificerad person för att undvika faror.**
- **Installera inte apparaten på fuktiga, oljiga eller dammiga platser och utsätt den inte för direkt solljus eller för vatten.**
- **Installera inte apparaten nära värmeelement eller lättantändliga material.**
- **FÖR apparater med frysdel: dörren ska inte öppnas vid strömavbrott. Fryst mat bör inte påverkas om strömavbrottet varar färre timmar än de som anges på märkningen (temperaturstegringstid). Om strömavbrottet varar längre ska maten kontrolleras och ätas omedelbart eller tillagas och sedan frysas om.**
- **Var inte orolig om apparatens dörr är svår att öppna efter att den precis har stängts. Detta beror på tryckskillnader som sedan jämnar ut sig och gör att dörren går att öppna igen efter några minuter.**
- **Förvara inte mediciner, medel med bakterier eller kemikalier i apparaten. Detta är en hushållsapparat, vi råder att inte förvara material som kräver strikta temperaturer i apparaten.**
- **Dra inte i nätkabeln för mycket, vik den inte och rör inte i kontakten med våta händer.**
- **Förvara inte produkter som innehåller brandfarlig tändgas (t.ex. sprayburkar) eller explosiva ämnen i apparaten. Explosionsrisk!**
- **För att förhindra personskada orsakad av fall eller elchock orsakad av kontakt med vatten, ska instabila föremål (tung objekt, behållare med vatten) inte placeras ovanpå apparaten.**
- **Använd inte elektriska apparater inuti förvaringsutrymmet för matvaror, om de inte är av en typ som rekommenderas av tillverkaren.**
- **Rör inte vid inre kylelement, särskilt med våta händer, för att undvika sprickor eller skador.**
- **Barn och personer med begränsad fysik, sensorisk eller mental kapacitet, samt personer som inte har tillräcklig kunskap om apparatens drift ska hållas under uppsyn.**
- **Kontrollera att barn och utsatta personer har förstått farorna. En person som är säkerhetsansvarig måste övervaka eller instruera barn och utsatta personer vid användning av apparaten. Endast barn över 8 år kan använda denna apparat.**

- Barn ska inte leka med apparaten.
- Barn i åldrarna 3 till 8 år får sätta i och ta ut produkter ur apparaten.
- **FÖR** apparater med frysdel: förvara inte flaskor eller burkar med vätska (gäller speciellt kolsyrade drycker) i frysdelen. Flaskor och burkar kan spricka!
- **FÖR** apparater med frysdel: fryst mat från frysdelen ska aldrig stoppas direkt i munnen. Risk för köldskada!
- Se till att plastdelar och dörrtätningar är fria från olja och fett. Annars blir plastdelarna och dörrtätningar porösa.
- Dra ut nätsladden ur eluttaget innan du utför någon åtgärd.
- Använd inte mekaniska hjälpmedel för att skynda på avfrostningen, annat än de som rekommenderas av tillverkaren.
- Använd inte spetsiga eller vassa föremål såsom knivar eller gafflar för att ta bort isen.
- Använd aldrig hårtorkar, elektriska värmare eller andra liknande elektriska apparater för avfrostning.
- Vi rekommenderar att du håller stickproppen ren, eventuella dammrester på stickproppen kan orsaka brand.
- Försök inte att reparera, demontera eller modifiera apparaten själv. Kontakta alltid vår kundservice angående reparationer.
- Barn ska övervakas när apparaten rengörs eller underhålls.
- Rengör inte de kalla glashyllorna med hett vatten. Plötsliga temperaturförändringar kan göra att glaset spricker.
- **VARNING!** Kylkretsens rör transporterar ett miljövänligt men brandfarligt köldmedium (R600a) och isoleringsgas (cyklopentan). Detta påverkar inte ozonskiktet negativt och förstärker inte växthuseffekten. Om köldmedium kommer ut kan dina ögon skadas eller ge upphov till brand.
- Om kylkretsen är skadad:
 - Stäng av apparaten och dra ut nätkontakten,
 - håll öppna flammor och/eller brandkällor borta från apparaten,
 - ventiler rummet ordentligt i flera minuter,
 - informera kundtjänst.
- **VARNING!** Skada inte kontakten och/eller elkabeln. Detta kan ge upphov till elstötar eller bränder.
- **VARNING!** Använd inte flera bärbara uttag eller bärbara strömförsörjningsaggregat. Vi avråder från att använda förlängningsladdor och flervägsadaptorer.
- Stå eller sitt inte ovanpå apparaten. Du kan skada dig eller så kan apparaten gå sönder. Apparaten är inte konstruerad för att staplas med andra.

- **Produkten är endast konstruerad för hushållsbruk.**
- **Endast originalreservdelar levererade av tillverkaren ska användas. Tillverkaren kan endast garantera att dessa delar uppfyller säkerhetskraven.**
- **Att hålla dörren öppen under långa perioder kan orsaka en betydande ökning av temperaturen i apparatens utrymmen.**
 - **Rengör regelbundet ytor som kan komma i kontakt med livsmedel och tillgängliga dräneringssystem.**
 - **Rengör vattentankar om de inte har använts under 48 timmar. Spola vattensystemet som är anslutet till en vattenförsörjning om vatten inte har använts på 5 dagar.**
 - **Förvara rått kött och fisk i lämpliga behållare i kylan, så att det inte kommer i kontakt med eller droppar på andra livsmedel.**
 - **Tvåstjärniga fack för frysta livsmedel (om de finns i apparaten) är lämpliga för förvaring av förfrysade livsmedel, förvaring eller tillverkning av glass och frysning av isbitar.**
 - **En-, två- och trestjärniga fack, om de finns i apparaten, är inte lämpliga för frysning av färsk mat.**
 - **Om apparaten kommer att vara ur bruk under en längre period, stäng av apparaten, avfrosta, rengör, torka och låt dörren vara öppen för att förhindra att mögel utvecklas i apparaten.**
- **FÖR vinkylare: den här apparaten är endast avsedd att användas för förvaring av vin**
- **FÖR fristående apparater: denna kyl-/frysanordning är inte avsedd att användas som inbyggd apparat**
- **FÖR apparater utan 4-stjärnigt fack: kylvärdet är inte lämpligt för frysning av livsmedel**

Kassera gamla apparater



Apparaten är märkt i enlighet med Europaparlamentets och rådets direktiv 2012/19/EU om avfall som utgörs av eller innehåller elektrisk och elektronisk utrustning (WEEE).

WEEE-enheter innehåller både förorenande ämnen (som kan orsaka negativa konsekvenser för miljön) och grundkomponenter (som kan återanvändas). Det är viktigt att WEEE-enheter är föremål för specifika behandlingar för att avlägsna och kassera alla föroreningar på rätt sätt och återvinna och återanvända allt material.

Individer kan spela en viktig roll i att säkerställa att WEEE-enheter inte blir ett miljöproblem. Det är viktigt att följa några grundläggande regler:

- WEEE-enheter ska inte betraktas som hushållsavfall.
- WEEE-enheter ska överlämnas till relevanta insamlingsställen som förvaltas av kommunen eller av registrerade företag. I många länder kan heminsamling finnas för stora WEEE-enheter.

I många länder, kan den gamla apparaten lämnas till återförsäljaren när du köper en ny apparat, vilket denne måste acceptera kostnadsfritt på basis av "en mot en", så länge den gamla apparaten är av liknande typ och har samma funktioner som den nyinköpta apparaten.

Överensstämmelse

Genom att placera **CE**-märket på denna produkt bekräftar vi efterlevnad av alla relevanta europeiska säkerhets-, hälso- och miljökrav som är tillämpliga i aktuell lagstiftning för denna produkt.

Garanti

Minsta garanti är: 2 år för EU-länder, 3 år för Turkiet, 1 år för Storbritannien, 1 år för Ryssland, 3 år för Sverige, 2 år för Serbien, 5 år för Norge, 1 år för Marocko, 6 månader för Algeriet, ingen juridisk garanti krävs i Tunisien.

Energibesparing

Tips för att spara energi:

- Installera apparaten i ett väl ventilerat utrymme, på avstånd från värmekällor, och utsätt den inte för direkt solljus.
- Undvik att sätta in varm mat i kylskåpet för att undvika att öka den inre temperaturen och därmed kontinuerligt aktivera kompressorn.
- Fyll inte på med för mycket livsmedel för att säkerställa korrekt luftcirkulation.
- Frosta av apparaten om det finns is för att underlätta överföring av kyla.
- Vid frånvaro av elektrisk energi är det lämpligt att hålla dörren stängd.
- Öppna eller håll dörren öppen så kort stund som möjligt.
- Undvik att ställa in på alltför kalla temperaturer.
- Ta bort damm på baksidan av apparaten

Ljuskällan (LED) kan endast bytas ut av en fackman
Denna produkt innehåller en ljuskälla av energiklass G

INSTALLATIONSINSTRUKTIONER

➤ Innan du använder vinkylaren

- Ta bort yttre och inre förpackning.
- Låt vinkylaren stå upprätt i cirka 2 timmar innan du ansluter den till elnätet. Detta minskar risken för fel på kylsystemet vid hantering under transport.
- Rengör den inre ytan med ljummet vatten och en mjuk trasa.
- Apparaten ska lämnas till en auktoriserad återvinningsstation när den ska kasseras.

➤ Installation av vinkylaren

- Denna apparat är konstruerad att installeras som en fristående konstruktion eller inbyggd (se dekalen på apparatens baksida).
- Den här apparaten är endast avsedd att användas för förvaring av vin eller dryck.
- Placera vinkylaren på ett golv som är tillräckligt starkt för att stödja apparaten när den är fullastad. För att nivellera vinkylaren, justera den främre justeringsfoten längst ner på apparaten.
- Apparaten innehåller brännbart köldmedium. Var därför försiktig så att kylröret inte skadas under transport. Placera vinkylaren på avstånd från direkt solljus och värmekällor (spis, värmare, värmeelement osv.). Direkt solljus kan påverka akrylbeläggningen och värmekällor kan öka elförbrukningen. Extrema kalla omgivningstemperaturer kan också orsaka att apparaten inte fungerar korrekt.
- Undvik att placera apparaten på fuktiga platser.
- Anslut vinkylaren till ett exklusivt ordentligt jordat vägguttag. Skär under inga omständigheter eller ta bort det tredje (jord) stiftet från nätsladden. Alla frågor som rör ström och/eller jordning bör riktas till en certifierad elektriker eller ett auktoriserat produktservicecenter.

➤ Varning

- Vinflaskorna ska vara förseglade;
- Överbelasta inte skåpet;
- Öppna inte dörren om det inte är nödvändigt;
- Täck inte hyllor med aluminiumfolie eller annat hyllmaterial som kan förhindra luftcirkulation;
- Om vinkylaren inte ska användas under en längre tid råder vi att göra rent apparaten noggrant och därefter lämna skåpdörren öppen för att förhindra att det bildas fukt, mögel och dålig lukt.

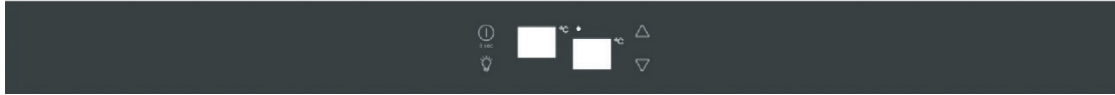
➤ Omgivande rumstemperatur

Apparaten är konstruerad för att fungera i omgivningstemperaturer som specificeras av dess temperaturklass som är märkt på typskylten.

- Utökad tempererad (SN): "denna kylapparat är avsedd att användas vid omgivningstemperaturer från 10 °C till 32 °C".
- Tempererad (N): "denna kylapparat är avsedd att användas vid omgivningstemperaturer från 16 °C till 32 °C".
- Subtropisk (ST): "denna kylapparat är avsedd att användas vid omgivningstemperaturer från 16 °C till 38 °C".



HUR DU ANVÄNDER VIN- OCH DRYCKESKYLAREN OCH STÄLLER IN TEMPERATURKONTROLLEN

➤ Kontrollpanel



- **""-knappen**
För att slå på/stänga av apparaten (tryck och håll ned denna knapp i cirka 3 sekunder).
- **""-knappen**
För att slå på/stänga av innerbelysning.
- **""-knappen**
För att ställa in temperaturen i den övre kammaren.
- **""-knappen**
För att ställa in temperaturen i den nedre kammaren.
- **LED-display till vänster**
För att ställa in temperaturen i den övre kammaren.
- **LED-display till höger**
För att ställa in temperaturen i den nedre kammaren.
- **Indikatorlampa**
Kompressor i driftläge.

➤ Ställa in temperaturkontrollerna

- När du trycker på knappen " " eller " " går systemet automatiskt in i inställningsläget för det övre eller nedre kylutrymmet. Lysdioden blinkar och visar den inställda temperaturen. Tryck en gång på knappen för att minska eller öka med 1 °C. När det möjliga fastställda minimivärdet överskrids, hoppar temperaturen automatiskt till det högsta justerbara värdet. Efter att ha tryckt in knappen i 5 sekunder (och släppt), slutar LED-siffran blinka och går tillbaka för att visa temperaturen i det övre eller nedre kylutrymmet.
- Efter att apparaten har kopplats ur kommer systemet att återgå till fastställd temperatur (fabriksinställning). Fastställd temperatur enligt nedan:
 - Övre kylutrymme: 6 °C
 - Nedre kylutrymme: 12 °C
- Om du vill se alla inomhustemperaturer, trycker du på inställningsknappen "Upp" eller "Ner", lysdioden blinkar och visar den inställda temperaturen. Efter att ha tryckt in knappen i 5 sekunder (och släppt) slutar LED-siffran att blinka och går tillbaka för att visa den faktiska temperaturen.
Övre kylutrymme: Temperaturinställningen kan justeras från 5 °C till 10 °C.
Nedre kylutrymme: Temperaturinställningen kan justeras från 10 °C till 18 °C.

➤ **Temperurlarm**

Om den invändiga temperaturen är högre än 23 °C, kommer "HI" visas på displaypanelen, och efter en timme kommer larmet/summern att låta. Detta indikerar att den invändiga temperaturen är för hög. Om den invändiga temperaturen är lägre än 0 °C visas "LO" på displaypanelen samtidigt som larmet och indikatorn för funktionsfel aktiverats.

➤ **Temperaturminnesfunktion**

I händelse av ett strömavbrott kan vinkylaren komma ihåg de tidigare temperaturinställningarna, och när strömmen återställs kommer kylarens temperatur att gå tillbaka till samma inställningstemperatur som innan strömavbrottet.

➤ **Invändig belysning**

För att minska energiförbrukningen stänger apparaten automatiskt av LED-lamporna efter 10 minuter. Om du vill att LED-lampan ska vara tänd kontinuerligt går det att ställa in. Tryck och håll ner "LAMP"-knappen i 5 sekunder, displayen visar "LP". Efter 4 sekunder återgår displayen till det normala och lampan förblir tänd tills den stängs av manuellt.

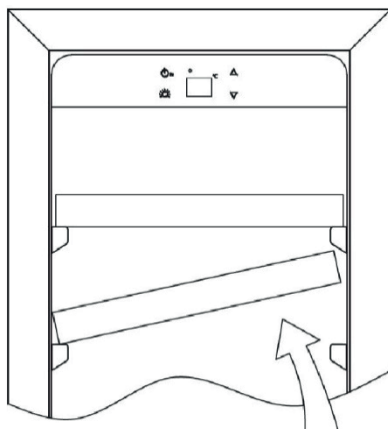
Om du vill gå tillbaka till läget för energibesparing (rekommenderas), trycker du och håller ner "LAMP"-knappen i 5 sekunder, displayen visar "LF". Efter 4 sekunder återgår displayen till det normala, och lampan stängs automatiskt av efter 10 minuter.

➤ **Hyllor**

- För att undvika att skada dörrpackningen, se till att dörren är helt öppen när du drar ut hyllor ur kylutrymmet.
- För att enkelt komma åt innehållet i skåpet måste man dra ut hyllorna en tredjedel ur skåpet. Den här vinkylaren är konstruerad med en skåra på varje sida av hyllspåren för att förhindra att flaskor faller.
- När du tar bort någon av hyllorna ur skåpet, för att montera eller ta bort hyllan, luta hyllan enligt diagrammet och dra helt enkelt ut eller för att sätta in hyllan, tryck den på plats tills den sitter säkert på stödfästena.

➤ **OBS:**

- Om apparaten är urkopplad, vid strömavbrott eller är avstängd måste du vänta 3 till 5 minuter innan du startar om den igen. Vin- och dryckeskylaren kommer inte att starta om den slås på innan denna tidsfördröjning.
- När du använder vin- och dryckeskylaren för första gången eller startar om apparaten efter att den varit avstängd under en längre tid, kan det finnas några graders skillnad mellan den temperatur du väljer och den som lysdioden visar. Detta är normalt och beror på aktiveringstidens längd. Efter att vin- och dryckeskylaren har varit på några timmar återgår alla funktioner till det normala.



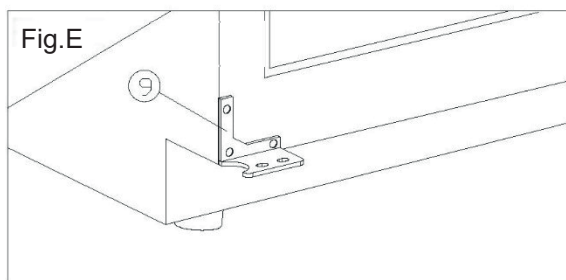
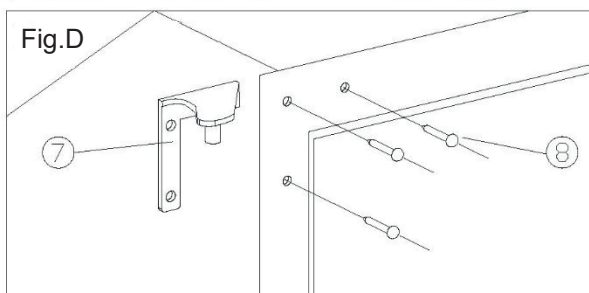
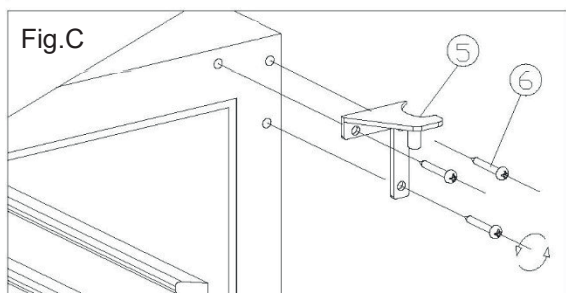
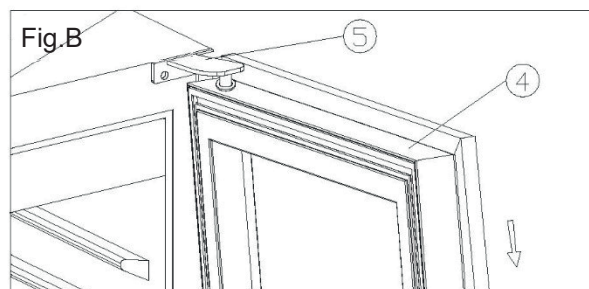
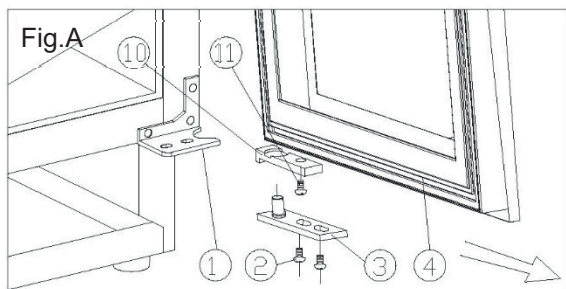
➤ Hur man vänder på dörren

Denna apparat har vändbara dörrar men levereras med förmonterade gångjärn för höger sida. Den vänstra gångjärnssatsen levereras med apparaten (i kartongen), om du skulle vilja vända gångjärnet på apparaten.

Typ A (för helglas/rostfri dörr)

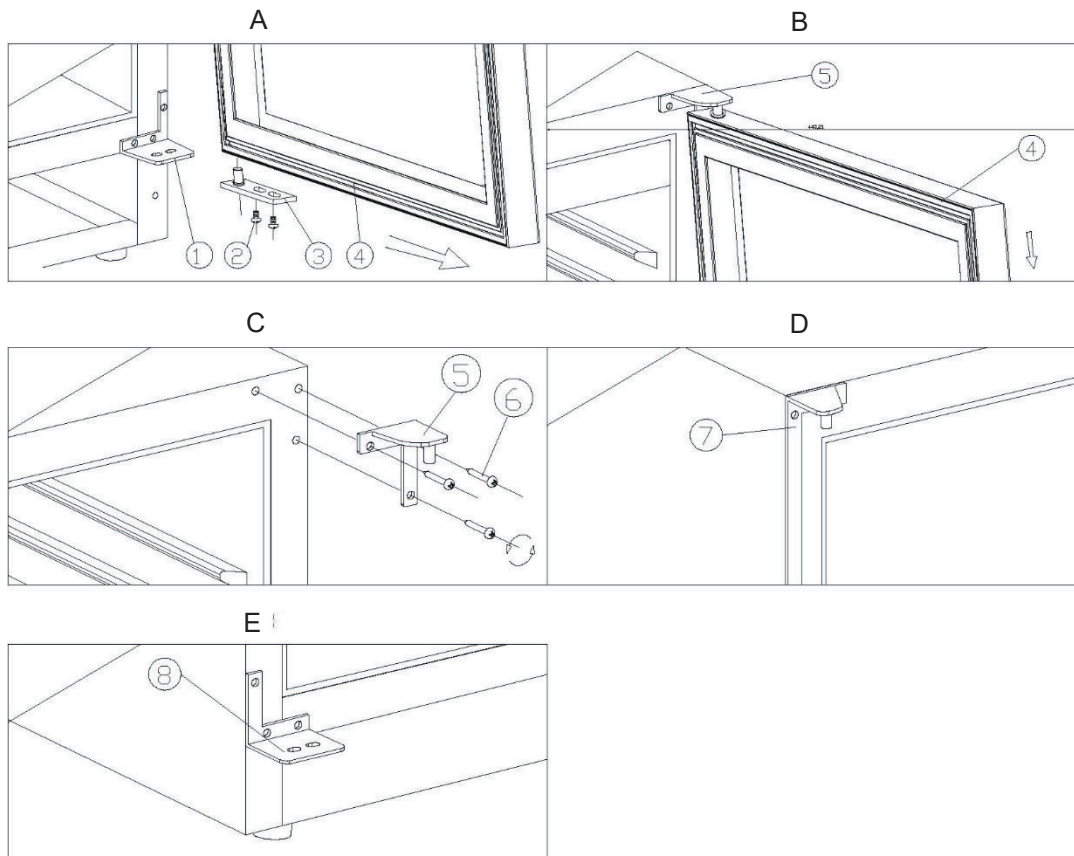
- | | | |
|----------------------------|--------------------------|-----------------------------|
| 1. Nedre gångjärn (höger) | 2. Skruvar | 3. Dörraxel |
| 4. Dörr | 5. Övre gångjärn (höger) | 6. Gångjärnsskruvar |
| 7. Övre gångjärn (vänster) | 8. Hålskydd | 9. Nedre gångjärn (vänster) |
| 10. Dörrens | 11. Skruv | |

1. Öppna dörren i 90 graders vinkel, skruva loss de 2 skruvarna (2) från den nedre dörraxeln (3), ta bort dörren (4), ta bort axelplattan (3) från dörren, (Fig. A).
2. Skruva loss skruven (11) som sitter under dörrkarmen och begränsningsanordningen (10), och flytta till vänster sida av dörrkarmen. (Fig. A/B)
3. Ta ut de 3 gångjärnsskruvarna (6) från det övre gångjärnet (höger) (5) och ta bort gångjärnet. (Fig. C)
4. Ta bort den dekorativa piggen (8) på vänster sida på skåpet högst upp och montera ett extra gångjärn (vänster) (7) högst upp på vänster på skåpet med 3 skruvar. (Fig. D)
5. Följ ovanstående procedur för att montera det nedre reservgångjärnet till vänster (9). (Fig. E)
6. Montera och rikta in dörren.
7. Sätt i plastpropparna för att täcka hålen (8)



Typ B (för smal dörr i rostfritt stål)

- | | | |
|----------------------------|------------------------------|-------------|
| 1. Gångjärn botten (höger) | 2. Skruvar | 3. Dörraxel |
| 4. Dörr | 5. Gångjärn topp (höger) | 6. skruvar |
| 7. Gångjärn topp (vänster) | 8. Gångjärn botten (vänster) | |

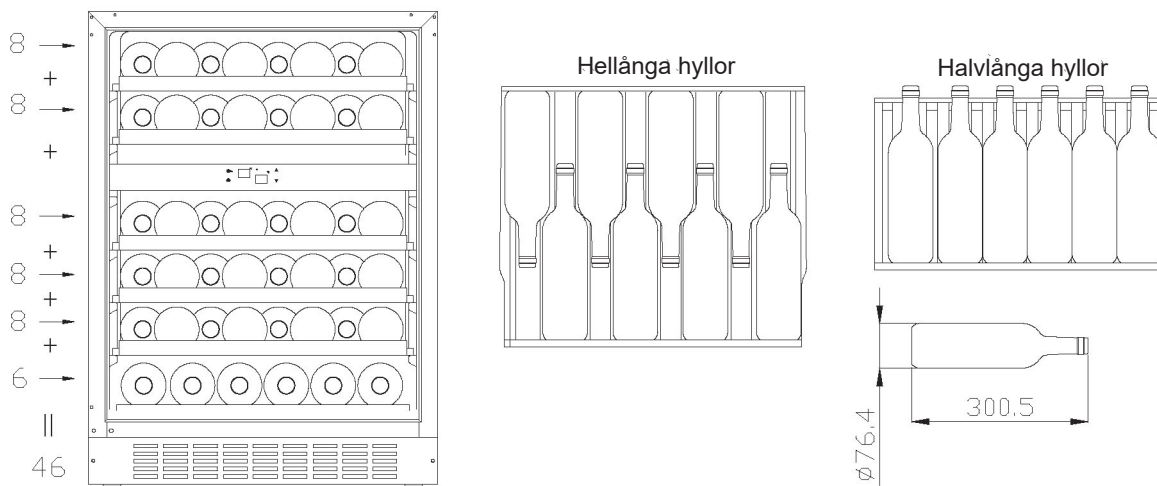


1. Skruva loss 2 skruvar (1), dra sedan dörren (4) enligt pilspetsens riktning för att ta bort dörren. Ta bort botten-gångjärnet (höger) (1) även vid montering. (Fig.A och Fig.B)
2. För att ta bort 3 skruvar (6) på det högra övre gångjärnet och sedan för att ta bort det högra övre gångjärnet (5) och det högra botten-gångjärnet (1). (Se Fig.C)
3. För att använda skruvarna som togs bort från höger sidas gångjärn för att fixera vänster övre- och botten-gångjärn(7)(8).(Se Fig.D och Fig.E)
4. Rotera dörren 180 grader, montera sedan tillbaka dörren på samma sätt som för borttagning men omvänt

➤ **Förvaringsdiagram**

Kontrollera det relativa förvaringsdiagrammet beroende på produktens faktiska konfiguration.

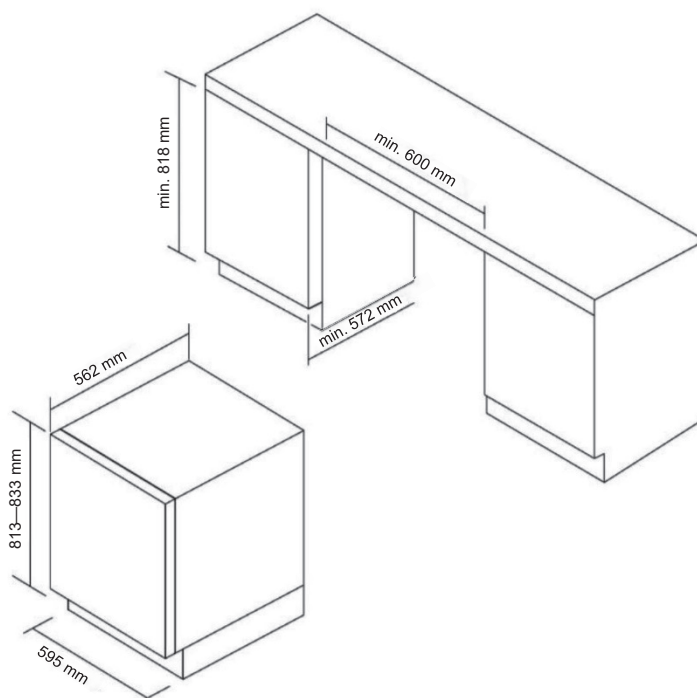
Totalt: 46 flaskor (max)



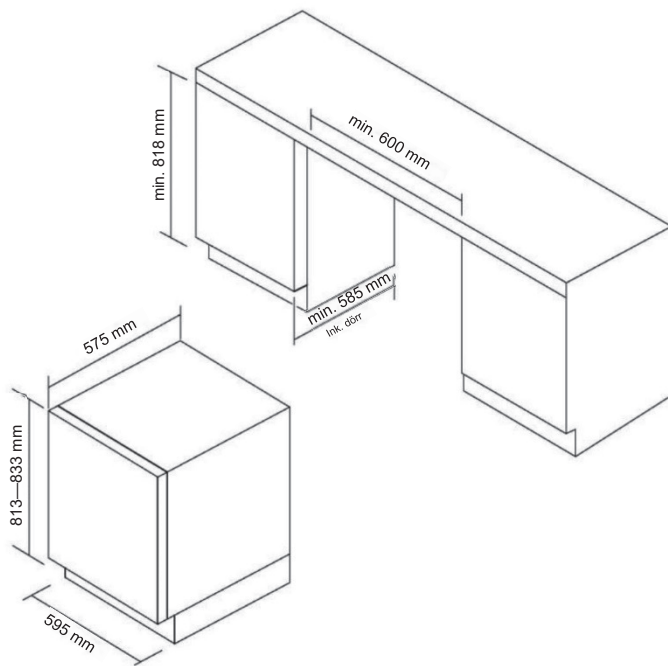
Den mest energibesparande konfigurationen kräver att hyllorna placeras i apparaten som bilderna ovan visar.

➤ **Installationspecifikationer för inbyggnad av apparaten**

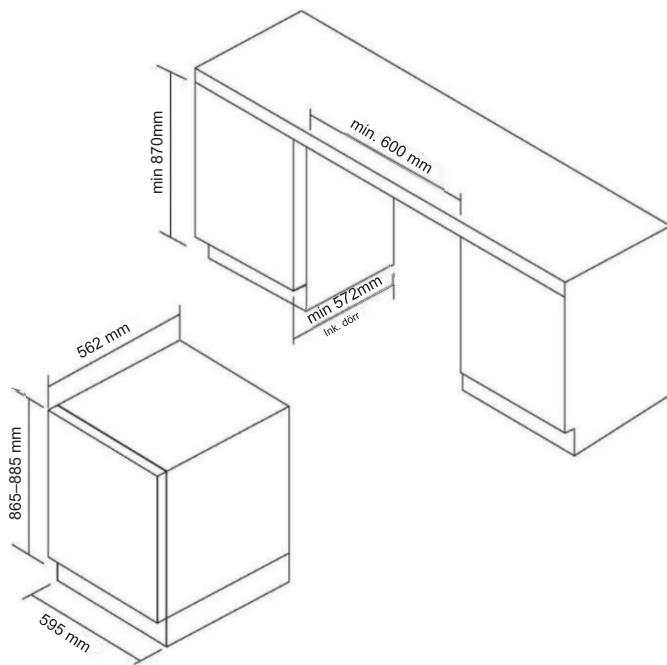
För 813 mm höjd med helglas/rostfri dörr



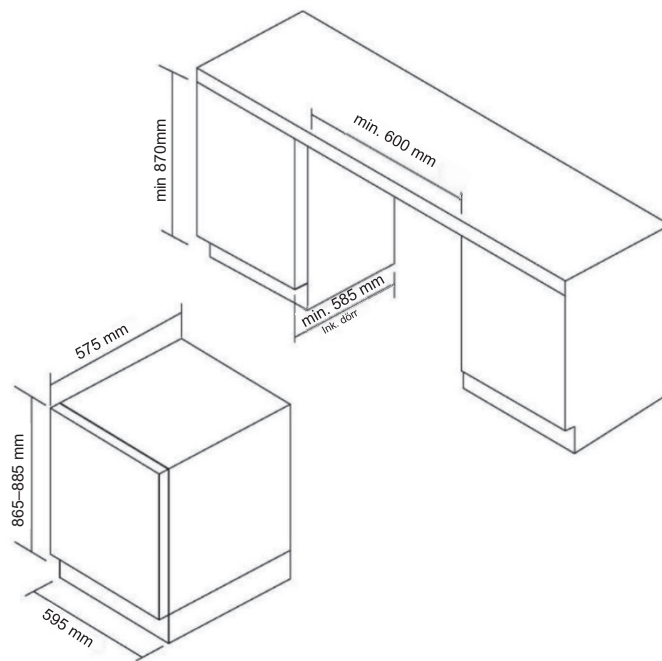
För 813 mm höjd med smal rostfri dörr



För 865 mm höjd med helglas/rostfri dörr



För 865 mm höjd med smal dörr i rostfritt stål



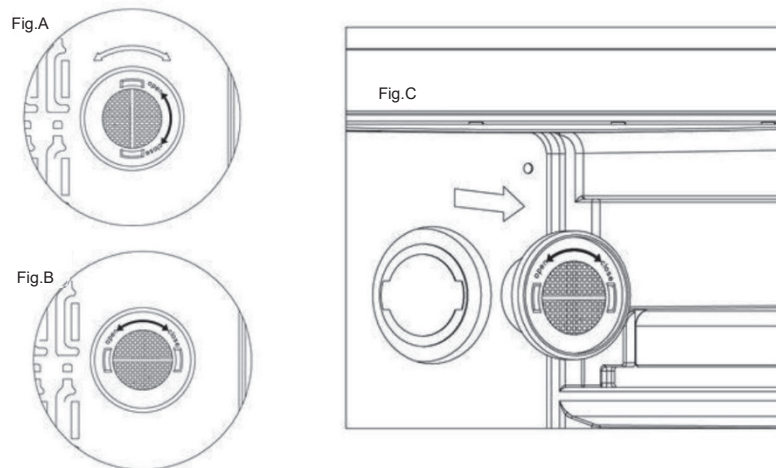
SKÖTSEL OCH UNDERHÅLL

➤ Rengöring av vinkylaren

- Stäng av strömmen, koppla ur apparaten och ta bort alla föremål, inklusive hyllor och stativ.
- Tvätta insidan med en blandning av varmt vatten och bikarbonat. Lösningen bör vara en blandning med cirka 2 msk bikarbonat till 1 liter vatten.
- Tvätta hyllorna med ett mildt rengöringsmedel.
- Vrid ut överflödigt vatten ur svampen eller trasan när du rengör området för kontrollerna eller andra elektriska delar.
- Tvätta utsidan av skåpet med varmt vatten och mildt flytande rengöringsmedel. Skölj väl och torka av med en ren mjuk trasa.

➤ **Så här byter du kolfiltret (om det finns i apparaten)**

- Kolfiltrerna finns i hörnet på höger sida i alla utrymmena.
- Öppna dörren och ta bort de 2 översta hyllorna (se Ta bort hyllorna).
- Vrid filtret enligt Fig. A.
- Enligt Fig. B ska filtret vara i linje med skåror som visas.
- Dra ut filtret (Fig. C).
- Sätt i ersättningsfiltret och vrid enligt Fig. A för att låsa filtret på plats.
- Sätt tillbaka hyllorna.



➤ **Strömavbrott**

- De flesta strömavbrott korrigeras inom några timmar och bör inte påverka temperaturen på vinkylaren om du minimerar antalet gånger dörren öppnas. Om strömmen kommer att vara avstängd under en längre tid måste du vidta rätt åtgärder för att skydda innehållet.

➤ **Semestertid**

- **Kort semester:** För kortare tid än tre veckor kan vinkylaren lämnas påslagen.
- **Lång semester:** Om apparaten inte ska användas på flera månader, ta bort alla föremål och stäng av apparaten. Rengör och torka insidan noggrant. För att förhindra lukt och mögeltillväxt, lämna dörren öppen något: blockera den i öppet läge om det behövs.

➤ **Flytta vinkylaren**

- Ta bort alla föremål.
- Tejpa fast alla lösa föremål (hyllor) inuti apparaten.
- Vrid tillbaka justeringsfoten så att den inte skadas vid förflyttning.
- Tejpa igen dörren.
- Se till att apparaten förblir säker i upprätt läge under transport. Skydda även utsidan av apparaten med en filt eller liknande.

➤ **Tips för att spara energi**

- Vinkylaren bör placeras i den svalaste delen av rummet, borta från värmeproducerande apparater och från direkt solljus.

PROBLEM MED VIN- OCH DRYCKESKYLAREN?

Du kan själv lösa många vanliga problem som man kan ha med sin vin- och dryckeskylare. Detta gör att du sparar kostnaden för ett eventuellt servicesamtal. Prova förslagen nedan för att se om du kan lösa problemet innan du ringer till serviceteknikern.

FELSÖKNINGSGUIDE

PROBLEM	MÖJLIG ORSAK
Vin- och dryckeskylaren fungerar inte.	Ej inkopplad. Apparaten är avstängd. Strömbrytaren har löst ut eller en säkring har gått.
Vin- och dryckeskylaren är inte tillräckligt kall.	Kontrollera temperaturkontrollinställningen. Extern miljö kan kräva en högre inställning. Dörren öppnas för ofta. Dörren är inte helt stängd Dörrtätningen tätar inte ordentligt.
Slås på och av för ofta.	Rumstemperaturen är varmare än normalt. En stor mängd innehåll har lagts till i vin- och dryckeskylaren. Dörren öppnas för ofta. Dörren är inte helt stängd Temperaturreglaget är inte korrekt inställt. Dörrtätningen tätar inte ordentligt.
Lampan fungerar inte.	Ej inkopplad. Strömbrytaren har löst ut eller en säkring har gått. Glödlampan har brunnit ut. Lampknappen är "AV".
Vibrationer.	Kontrollera att vin- och dryckeskylaren står plant.
Det låter mycket från vin- och dryckeskylaren.	Skramlande ljud kan komma från flödet av köldmedium, vilket är normalt. När varje cykel slutar kan du höra gurglande ljud som orsakas av flödet av köldmedium i vin- och dryckeskylaren. Sammandragning och expansion av innerväggarna kan orsaka poppande och sprakande ljud.
Dörren stängs inte ordentligt.	Vin- och dryckeskylaren står inte plant. Dörren vändes och installerades inte korrekt. Packningen är smutsig. Hyllorna är inte i rätt läge.

För att kontakta teknisk assistans, besök vår webbplats: <https://corporate.haier-europe.com/en/> under avsnittet "Website". Där väljer du produktens märke och ditt land. Du kommer att omdirigeras till den specifika webbplatsen där du hittar telefonnummer och formulär för att kontakta teknisk assistans

➤ **Tillgängliga reservdelar**

- Termostater, temperaturgivare, kretskort och ljuskällor finns tillgängliga under minst 7 år efter det att den sista enheten av samma modell har släppts på marknaden.
- Dörrhandtag, dörrgångjärn, brickor och korgar under minst 7 år och dörrpackningar under minst 10 år efter att den sista enheten av samma modell har släppts på marknaden.

Rekommenderade TEMPERATURINSTÄLLNINGAR

För förvaring av ALLA VINTYPER	12 °C till 14 °C
Rekommenderad SERVERINGSTEMPERATUR	
NV-champagne, mousserande	6 °C
Champagne Vintage	10 °C
Torr vit semillon, sauvignon blanc	8 °C
Torr vit gewurztraminer, riesling	10 °C
Torr vit chardonnay	10 °C
Vintage chardonnay	14 °C
Söt vit sauternes monbazillac, isvin från sen skörd	10 °C
Söta vit vintage sauternes	14 °C
Beaujolais	13 °C
Röd pinot noir	16 °C
Vintage pinot noir	18 °C
Röd Cabernet - merlot, franskt, australiensiskt, nyzeeländskt, chilenskt, argentinskt, italienskt, spanskt, kaliforniskt	18 °C
Röd grenache, syrah	16 °C

För mer information om produkten, se <https://eprel.ec.europa.eu/> eller skanna QR-koden på energimärkningen bifogad med apparaten

Slovenščina

Zahvaljujemo se vam za nakup tega izdelka.

Pred uporabo svojega hladilnika pozorno preberite ta navodila, tako da boste lahko kar najbolje izkoristili vse njegove zmogljivosti. Vso dokumentacijo shranite, če bi jo vi ali drugi uporabniki v prihodnje morebiti potrebovali. Ta izdelek je namenjen izključno za uporabo v gospodinjstvu in v podobnih prostorih, kot so:

- čajne kuhinje v trgovinah, pisarnah in drugih delovnih okoljih,
- kmetije, uporabniki hotelov in motelov ter drugih stanovanjskih objektov,
- ponudniki nočitev z zajtrkom (B & B),
- katering in podobne storitve, ki niso namenjene prodaji na drobno.

To napravo se sme uporabljati le za shranjevanje živil. Vsakršna drugačna uporaba velja za nevarno, proizvajalec pa v primeru neupoštevanja tega opozorila ne odgovarja za posledice. Priporočamo vam, da se seznanite tudi z garancijskimi pogoji.

VARNOSTNE INFORMACIJE

Prosimo, da navodila za uporabo in namestitvev natančno preberete.

Vsebujejo pomembne informacije o namestitvi, uporabi in vzdrževanju aparata.

Proizvajalec ne prevzema nobene odgovornosti, če navodil in opozoril ne boste upoštevali.

Vse dokumente shranite za prihodnjo uporabo oziroma za naslednjega lastnika.

- **Aparata ne priključujte na električno napajanje, dokler ne odstranite vseh zaščit, ki so bile potrebne zaradi pakiranja in prevoza. Ne pustite otrokom v bližino embalaže in njenih delov.**

Nevarnost zadušitve zaradi zlozljivih kartonov in plastične folije!

- **Preden izdelek vključite, ga pustite mirovati najmanj 4 ure, da se olje v kompresorju posede, če ste aparat prevažali v vodoravnem položaju.**
- **Prepričajte se, da med prevozom ni prišlo do poškodb.**
- **Ne poškodujte hladilne napeljave.**
- **Ne zapirajte prezračevalnih odprtih na ohišju aparata ali na vgradnih elementih.**
- **Kompresorja nikoli ne izpirajte z vodo, po čiščenju pa ga temeljito obrišite s suho krpo, da preprečite rjavenje.**
- **Z aparatom morata vedno rokovati vsaj dve osebi, ker je težek.**
- **Aparat namestite in naravnajte na mestu, ki je primerno njegovi velikosti in namenu.**
- **Prepričajte se, da se podatki o električnem toku na ploščici s tehničnimi navedbami ujemajo z napajanjem. V nasprotnem primeru se obrnite na električarja.**
- **Aparat deluje z izmeničnim napajanjem 220–240 VAC/50 Hz. Nenormalno nihanje napetosti lahko povzroči, da se aparat ne zažene, poškoduje**

regulator temperature ali kompresor ali pa se med delovanjem pojavi nenavaden hrup. V tem primeru se namesti samodejni regulator.

- Samo za Veliko Britanijo: Napajalni kabel aparata je opremljen s 3-žilnim (ozemljitvenim) vtičem, ki ustreza standardni 3-žilni (ozemljeni) vtičnici. Nikoli ne odrežite in ne odstranjujte tretjega zatiča (ozemljitev). Po namestitvi aparata mora biti vtič dostopen.
- Pazite, da med prenašanjem ali prestavljanjem aparata in po njem pod aparatom ne ukleščite priključnega kabla, saj ga s tem lahko odrežete ali poškodujete. Če je priključni kabel poškodovan, morate preprečiti morebitna tveganja, zato ga sme nadomestiti samo proizvajalec, njegov servisni agent ali drug kvalificiran serviser.
- Aparata ne nameščajte na vlažno, mastno ali prašno mesto in ga ne izpostavljajte neposredni sončni svetlobi in vodi.
- Aparata ne nameščajte v bližini grelnikov ali vnetljivih materialov.
- ZA aparate s predelom za zamrzovanje: v primeru izpada električne energije ne odpirajte pokrova. To ne sme vplivati na zamrznjeno hrano, če okvara traja manj, kot je navedeno na energijski nalepki (čas dviga temperature). Če izpad električne energije traja dlje, živila preverite in jih takoj zaužijte ali pa jih skuhajte in nato zamrznite.
- Če pokrov aparata težko odprete takoj po tem, ko ste ga pravkar zaprli, ne skrbite. To je posledica razlike v tlaku, ki se izenači in po nekaj minutah omogoči normalno odpiranje pokrova.
- V aparatu ne shranjujte zdravil, bakterij ali kemičnih snovi. Ta aparat je gospodinjski aparat, zato ni priporočljivo hraniti materialov, za katere so zahtevane strogo določene temperature.
- Priključnega kabla ne vlecite premočno ali zvijajte ter se ne dotikajte vtiča z mokrimi rokami.
- V aparatu ne shranjujte izdelkov, ki vsebujejo vnetljiv potisni plin (npr. razpršilne doze) ali eksplozivne snovi. Nevarnost eksplozije!
- Na hladilnik ne postavljajte nestabilnih predmetov (težkih predmetov, posod, napolnjenih z vodo), da se izognete telesnim poškodbam zaradi padca ali električnega udara na podlagi stika z vodo.
- Ne uporabljajte električnih naprav v predelih za shranjevanje živil, razen če so take vrste, ki jih priporoča proizvajalec.
- Ne dotikajte se notranjih hladilnih elementov, zlasti z mokrimi rokami, da se izognete razpokam ali poškodbam.
- Ogroženi so otroci, ljudje z omejenimi fizičnimi, duševnimi ali senzoričnimi sposobnostmi in ljudje, ki nimajo zadostnega znanja o varnem delovanju naprave.

- Poskrbite za to, da bodo otroci in ljudje iz ranljivih skupin razumeli nevarnosti. Oseba, ki je odgovorna za varnost, mora otroke in ljudi iz ranljivih skupin, ki uporabljajo aparat, nadzirati ali jih poučiti o rabi. Aparat smejo uporabljati samo otroci, ki so stari 8 let in več.
- Otroci naj se z aparatom ne igrajo.
- Otroci, stari od 3 do 8 let, smejo v napravo dajati stvari in jih iz nje jemati.
- **ZA** aparate z zamrzovalnim predelom: v zamrzovalnem predelu ne shranjujte tekočin v steklenicah ali pločevinkah (zlasti gaziranih pijač). Steklenice in pločevinke lahko počijo!
- **ZA** aparate z zamrzovalnikom: zamrznjene hrane nikoli ne dajajte naravnost iz zamrzovalnika v usta. Nevarnost omrzlin pri nizkih temperaturah!
- Na plastičnih delih in tesnilih vrat ne sme biti olja in masti. V nasprotnem primeru bodo plastični deli in tesnilo vrat postali porozni.
- Pred kakršnimi koli posegi iztaknite vtič priključnega kabla iz omrežne vtičnice.
- Ne uporabljajte mehanskih sredstev za pospešitev odmrzovanja oziroma sredstev, ki jih ne priporoča proizvajalec.
- Ne uporabljajte koničastih ali ostrih predmetov, kot so noži ali vilice, za odstranjevanje ledu.
- Nikoli ne uporabljajte sušilnikov za lase, električnih grelnikov ali drugih podobnih električnih aparatov za odtaljevanje.
- Priporoča se redno čiščenje vtiča, saj lahko prekomerni ostanki prahu na njem povzročijo požar.
- Aparata ne poskušajte popravljati, razstavljati ali spreminjati sami. V primeru popravila se vedno obrnite na našo službo za stranke.
- Med čiščenjem ali vzdrževanjem aparata nadzirajte otroke.
- Hladnih steklenih polic ne čistite z vročo vodo. Zaradi nenadne spremembe temperature se lahko steklo zlomi.
- **OPOZORILO:** Cevi hladilnega krogotoka prenašajo majhno količino okolju prijaznega, a vnetljivega hladilnega sredstva (R600a) in izolacijskega plina (ciklopentan). Ne poškoduje ozonskega plašča in ne poveča učinka tople grede. Če hladilno sredstvo uide, lahko poškoduje vaše oči ali se vname.
- Če se hladilni krogotok poškoduje:
 - izklopite napravo in izvlecite vtič iz vtičnice,
 - v bližini aparata naj ne bo odprtega plamena in/ali virov vžiga,
 - temeljito prezračite prostor za več minut,
 - obvestite službo za pomoč strankam.

- **OPOZORILO:** Pazite, da ne poškodujete vtiča in/ali priključnega kabla, saj lahko to povzroči električni udar ali požar.
- **OPOZORILO:** Ne uporabljajte niti prenosnih vtičnic niti prenosnega napajalnika. Odsvetuje se uporabo podaljškov in razdelilnih letev.
- Ne poskušajte sedeti ali stati na vrhu naprave. Pri tem lahko poškodujete sebe ali aparat. Ta aparat ni namenjen za zlaganje pod ali na druge aparate.
- Izdelek je zasnovan in izdelan le za gospodinjsko uporabo.
- Uporablja se lahko samo originalne dele proizvajalca. Proizvajalec zagotavlja, da samo ti deli izpolnjujejo varnostne zahteve.
- Če so vrata predolgo odprta, se lahko temperatura znotraj hladilne naprave občutno zviša.
 - Redno čistite površine, ki prihajajo v stik s hrano in drenažnimi sistemi.
 - Če rezervoarjev z vodo niste uporabljali 48 ur, jih očistite, oziroma če vode 5 dni ne dovajate, izperite vodni sistem, ki je priključen na vodovod.
 - Surovo meso in ribe shranjujte v primernih posodah v hladilniku, da ne pridejo v stik z drugo hrano oz. ne kapljajo nanjo.
 - Predeli za zamrznjeno hrano z dvema zvezdicama (če so v aparatu) so primerni za shranjevanje vnaprej zamrznjene hrane, shranjevanje ali pripravo sladoleda in pripravo kock ledu.
 - Predeli z eno, dvema in tremi zvezdicami, če so v napravi, niso primerni za zamrzovanje sveže hrane.
 - Če aparat dlje časa pustite prazen, ga izklopite, odmrznite, očistite in posušite ter pustite vrata aparata odprta, da preprečite nastanek plesni v napravi.
- **ZA hladilnike za vino:** ta aparat je namenjen izključno hrambi vina.
- **ZA uporabo kot prostostoječa naprava:** ta hladilnik ni namenjen uporabi kot vgradni aparat.
- **ZA naprave brez predela s 4 zvezdicami:** ta hladilna naprava ni primerna za zamrzovanje živil

Odlaganje odsluženih aparatov med odpadke



Ta aparat je označen v skladu z Direktivo št. 2012/19/EU Evropskega parlamenta in Sveta o odpadni električni in elektronski opremi (OEEO).

OEEO vsebuje tako okolju škodljive snovi (ki lahko povzročijo negativne posledice za okolje) kot osnovne komponente (ki jih je mogoče ponovno uporabiti). Posebna obravnava OEEO je nujna, da se odstrani in ustrezno zavrže vsa onesnaževala ter predela in reciklira vse materiale. Posamezniki imajo lahko pomembno vlogo pri preprečevanju, da bi OEEO postala okoljska težava. Nujno je treba upoštevati nekatera temeljna pravila:

- OEEO ne sme biti obravnavana kot gospodinjski odpadki.
 - OEEO je treba predati ustreznim zbirnim mestom, ki jih upravlja občina ali registrirana podjetja.
- V mnogih državah je zaradi velikih količin OEEO lahko zagotovljen odvoz z mesta uporabe.

V številnih državah lahko ob nakupu novega aparata starega oddate prodajalcu, ki ga je dolžan brezplačno prevzeti po načelu eden za enega, če je nova oprema enake vrste in ima enake funkcije kot stara.

Skladnost

Oznaka **CE** na izdelku potrjuje skladnost z vsemi ustreznimi evropskimi zahtevami s področja varnosti, zdravja in okolja, ki se v zakonodaji uporabljajo za ta izdelek.

Garancija

Minimalno garancijsko obdobje je: 2 leti za države EU, 3 leta za Turčijo, 1 leto za Združeno kraljestvo, 1 leto za Rusijo, 3 leta za Švedsko, 2 leti za Srbijo, 5 let za Norveško, 1 leto za Maroko, 6 mesecev za Alžirijo, za Tunizijo pravna garancija ni potrebna.

Varčevanje z energijo

Za večji prihranek energije vam svetujemo naslednje:

- Aparat namestite v dobro prezračen prostor, stran od virov toplote, pri čemer ga ne izpostavljate neposredni sončni svetlobi.
- V hladilnik ne postavljajte vročih živil, da temperatura v notranjosti ne bo preveč narasla, saj bi v tem primeru kompresor deloval ves čas.
- Aparata ne napolnite prekomerno z živili, da zagotovite ustrezno kroženje zraka.
- Če se nabere led, odtalite aparat, da omogočite lažji prenos hladu.
- V primeru izpada električne energije vam svetujemo, da ne odpirate vrat zamrzovalnika.
- Vrata aparata odpirajte čim manjkokrat in za čim krajši čas.
- Ne nastavite prenizke temperature.
- Odstranite prah z zadnje strani aparata.

Svetlobni vir (samo LED) sme zamenjati samo strokovnjak
Ta izdelek vsebuje svetlobni vir z razredom energetske učinkovitosti G.

NAVODILA ZA NAMESTITEV

➤ **Pred uporabo hladilnika za vino**

- Odstranite notranjo in zunanjo embalažo.
- Preden hladilnik za vino priključite na električno napetost, počakajte, da bo miroval v dokončnem stanju najmanj 2 uri. Tako bo manj možnosti za pojav napak v delovanju sistema hlajenja zaradi prevoza.
- Notranjo površino aparata pomijte z mlačno vodo in mehko krpo.
- Pri odstranjevanju aparata izberite pooblaščen objekt za odlaganje odpadkov.

➤ **Namestitev vašega hladilnika za vino**

- Ta aparat je zasnovan za prostostoječo namestitev ali vgradnjo (popolna vstavitev) (Glejte lokacijo nalepke na zadnji strani tega aparata).
- **Ta aparat je namenjen izključno za hrambo vina ali pijač.**
- Hladilnik za vino postavite na dovolj močna tla, da bodo lahko prenesla obremenitev z napolnjenim hladilnikom. Za izravnavo hladilnika za vino prilagodite sprednjo nogo za izravnavo na dnu hladilnika za vino.
- Ta aparat uporablja vnetljivo hladilno sredstvo. Med prevozom nikoli ne poškodujte hladilnih cevi. Hladilnik za vino postavite proč od neposredne sončne svetlobe in virov vročine (pečica, grelnik, radiator itd.). Sončni žarki bi lahko poškodovali akrilno oblogo in vročina lahko poveča porabo električne energije. Tudi zaradi ekstremno hladnega zraka v okolju se lahko zgodi, da aparat ne deluje pravilno.
- Aparata ne postavljajte na vlažna območja.
- Hladilnik za vino priključite na posebno in pravilno nameščeno in ozemljeno električno stensko vtičnico. V nobenem primeru ne prerežite ali odstranite tretjega (ozemljitvenega) zatiča vtiča. Vsa vprašanja o napajanju in/ali ozemljitvi naslovite neposredno na certificirane električarje ali pooblaščen servisne centre izdelka.

➤ **Pozor**

- Vino shranjujte v zaprtih steklenicah.
- Ne preobremenite omare.
- Ne odpirajte vrat, razen če je potrebno.
- Ne pokrivajte polic z aluminijasto folijo ali katerim koli drugim materialom za police, ki lahko prepreči kroženje zraka.
- Če hladilnik za vino shranjujete dalj časa, ne da bi ga uporabljali, je priporočljivo, da po skrbnem čiščenju vrata pustite odprta, da zrak kroži v notranjosti omare, in se tako izognete morebitnemu nastajanju kondenzata, plesni ali vonjav.

➤ **Omejitve temperature v prostoru**

Ta aparat je zasnovan za delovanje pri okoljskih temperaturah, določenih glede na temperaturni razred, označen na tipski ploščici.

- Razširjeno zmerno (SN): »ta hladilni aparat je namenjen uporabi pri sobni temperaturi od 10 °C do 32 °C«.







- Zmerno (N): »ta hladilni aparat je namenjen uporabi pri sobni temperaturi od 16 °C do 32 °C«.

- Subtropsko (ST): »ta hladilni aparat je namenjen uporabi pri sobni temperaturi od 16 °C do 38 °C«.

UPRAVLJANJE HLADILNIKA ZA VINO/PIJAČE IN NASTAVITEV REGULIRANJA TEMPERATURE

➤ Navodila za regulacijski sistem



- **Gumb »«**
Če želite aparat regulirati, ga vklopite/izklopite (pritisnite in pridržite te gumbе približno 3 sekunde).
 - **Gumb »«**
Za nadzor vklopa/izklopa notranje luči.
 - **Gumb »«**
Nastavitev temperature zgornjega predela.
 - **Gumb »«**
Nastavitev temperature spodnjega predela.
 - **Zaslon LED na levi strani**
Nastavitev temperature zgornjega predela.
 - **Zaslon LED na desni strani**
Nastavitev temperature spodnjega predela.
 - **Indikatorska lučka**
Zaslon kompresorja med delovanjem.
- Nastavitev regulatorjev temperature
- Ko pritisnete gumb »« ali »«, sistem samodejno preide v nastavljeni način v zgornjem ali spodnjem predelu. Lučka LED utripa in prikazuje nastavljeno temperaturo. Ko pritisnete gumb, se temperatura zniža ali zviša za 1 °C. Ko presežete najmanjšo vrednost, ki jo je mogoče določiti, samodejno preide na najvišjo nastavljivo temperaturno vrednost. Če za 5 sekund nehate pritiskati gumb, slika LED preneha utripati, nato pa se vrne na nastavitev, da prikaže temperaturo zgornjega ali spodnjega predela.
 - Ko je enota izključena iz vira napajanja, se sistem vrne na dopustno temperaturo, ki jo nastavijo v tovarni. Dopustna temperatura je prikazana spodaj:
Zgornji predel: 6 °C
Spodnji predel: 12 °C
 - Če želite prikazati vsako notranjo nastavitveno temperaturo, pritisnite ustrezni gumb »Nastavi zgornji« ali »Nastavi spodnji«; lučka LED utripa in prikazuje nastavljeno temperaturo. Če za 5 sekund nehate pritiskati gumb, slika LED preneha utripati, nato pa se vrne na prikaz dejanske temperature.
- Zgornji predel:** Temperaturno nastavitev lahko prilagajate od 5 °C do 10 °C.
Spodnji predel: Temperaturno nastavitev lahko prilagajate od 10 °C do 18 °C.

➤ **Temperaturni alarm**

Če je notranja temperatura višja od 23 °C, se na zaslonu prikaže »HI« in po eni uri se sproži alarm/brenčalo. To pomeni, da je temperatura v notranjosti previsoka. Če je notranja temperatura nižja od 0 °C, se na zaslonu prikaže »LO« in istočasno z alarmom se sproži tudi indikator okvare.

➤ **Funkcija priklica temperature iz pomnilnika**

V primeru prekinitve napajanja z elektriko lahko hladilnik za vino prikliče prejšnje temperaturne nastavitve, ko pa se moč vrne v normalno stanje, se temperatura hladilnika vrne na isto nastavljeno temperaturo kot pred izklopom.

➤ **Notranja luč**

Da bi zmanjšali porabo energije, se lučke LED v tem hladilniku za vino samodejno izklopijo po 10 minutah.

Če želite, da lučka LED neprekinjeno sveti, je to mogoče nastaviti. Pritisnite in pridržite gumb »LIGHT« 5 sekund ter na zaslonu se prikaže »LP«. Po 4 sekundah se zaslon vrne v normalno stanje in lučka ostane vklopljena, dokler se je ročno ne izklopi.

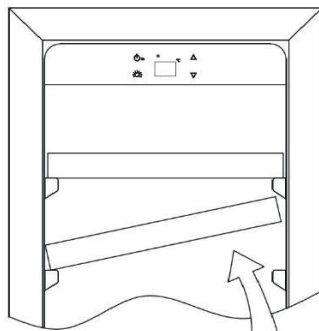
Če se želite vrniti na prejšnjo nastavitvev in prihraniti pri stroških energije (priporočeno), pritisnite in pridržite gumb »LIGHT« 5 sekund, nato pa zaslon prikaže »LF« in po 4 sekundah se zaslon vrne na normalno delovanje, lučka pa se samodejno izklopi po 10 minutah.

➤ **Police**

- Da preprečite poškodbe tesnila vrat, poskrbite, da so vrata popolnoma odprta, ko vlečete police iz predelov z vodili.
- Za enostaven dostop do shranjene vsebine morate police izvleči za približno 1/3 iz predelov z vodili, vendar je bila ta enota zasnovana z zareza na obeh straneh vodil za police, da bi se preprečilo padanje steklenic.
- Pri odstranjevanju katere koli od teh polic iz predela z vodili: da bi namestili ali odstranili polico, nagnite polico v skladu z diagramom in jo preprosto izvlecite ali pa potiskajte polico, dokler ne bo varno nameščena na opornih nosilcih.

➤ **OPOMBA:**

- Če enota ni povezana z električnim omrežjem, če je prišlo do izpada električne energije ali pa je enota izklopljena, morate pred ponovnim zagonom enote počakati od 3 do 5 minut. Če aparat poskusite znova zagnati pred to časovno zakasnitvijo, se hladilnik za vino/pijačo ne vklopi.
- Ko prvič uporabljate hladilnik za vino/pijačo ali ponovno zaženete hladilnik za vino/pijačo, potem ko je bil dolgo časa izklopljen, obstaja morda nekaj stopinj razlike med temperaturo, ki ste jo izbrali, in tisto, ki je navedena na odčitku LED. To je normalno in je posledica trajanja časa aktivacije. Ko hladilnik za vino/pijačo deluje nekaj ur, je njegovo delovanje znova normalno.



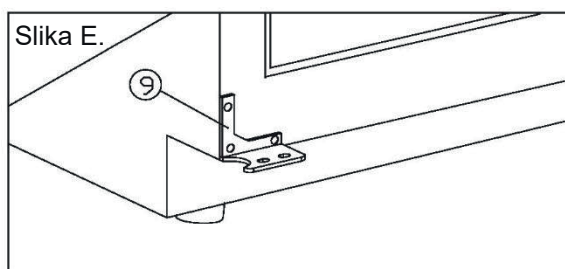
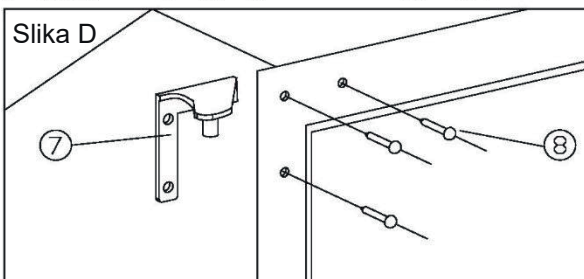
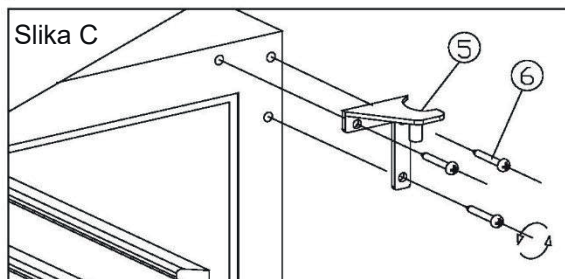
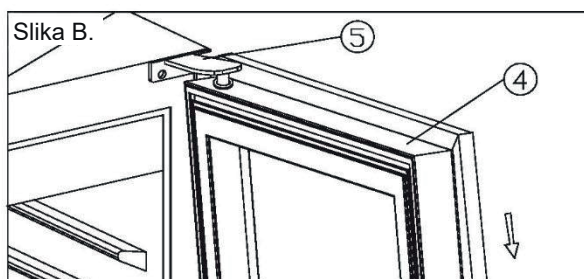
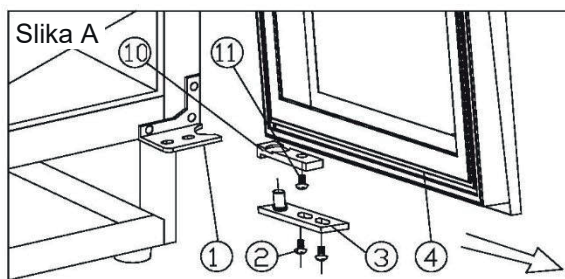
➤ Kako spremeniti način odpiranja vrat

Ta naprava ima vrata, ki jih je mogoče odpirati obojestransko, vendar je dobavljena z vrati, ki so na tečajih na desni strani. Komplet tečajev za namestitev na levo stran je dobavljen z enoto (v škatli), če želite spremeniti mesta tečajev na svoji enoti.

Tip A (za vrata, ki so v celoti izdelana iz stekla/nerjavečega jekla)

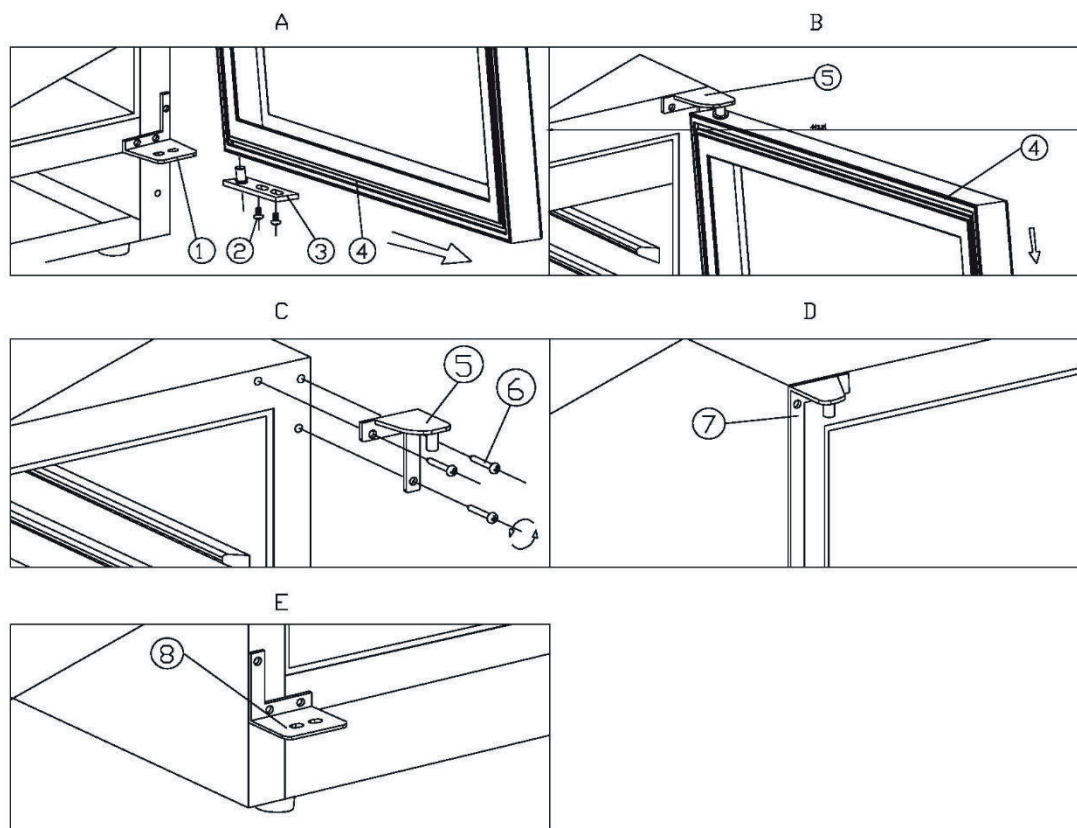
- | | | |
|--------------------------|--------------------------|-------------------------|
| 1. Spodnji tečaj (desni) | 2. Vijaki | 3. Os vrat |
| 4. Vrata | 5. Zgornji tečaj (desni) | 6. Vijaki za tečaje |
| 7. Zgornji tečaj (levi) | 8. Pokrovček odprtine | 9. Spodnji tečaj (levi) |
| 10. Omejevalnik vrat | 11. Vijak | |

1. Odprite vrata pod kotom 90 stopinj, odstranite 2 vijaka (2) s spodnje osi vrat (3), odstranite vrata (4) in odstranite osno ploščo (3) iz vrat (slika A).
2. Odvijte vijak (11), ki se nahaja pod okvirjem vrat in omejevalnikom (10), ter ga premaknite na levo stran okvirja vrat (slika A/B).
3. Izvlecite 3 vijake za tečaje (6) iz zgornjega tečaja (desno) (5) in jih odstranite (slika C).
4. Odstranite dekorativni žebelj (8) z levega vrha omare in namestite nadomestni zgornji tečaj (levi) (7) na levi vrh omare s 3 vijaki (slika D).
5. Po zgornjem postopku namestite nadomestni spodnji tečaj na levo stran (9) (slika E).
6. Namestite vrata in jih poravnajte.
7. Vstavite plastične pokrovčke, da pokrijete luknje (8).



Tip B (za tanka vrata iz nerjavnega jekla)

- | | | |
|--------------------------|-------------------------|------------|
| 1. Spodnji tečaj (desni) | 2. Vijaki | 3. Os vrat |
| 2. 4. Vrata | 5. Zgornji tečaj(desni) | 6. Vijaki |
| 7. Zgornji tečaj(levi) | 8. Spodnji tečaj (levi) | |

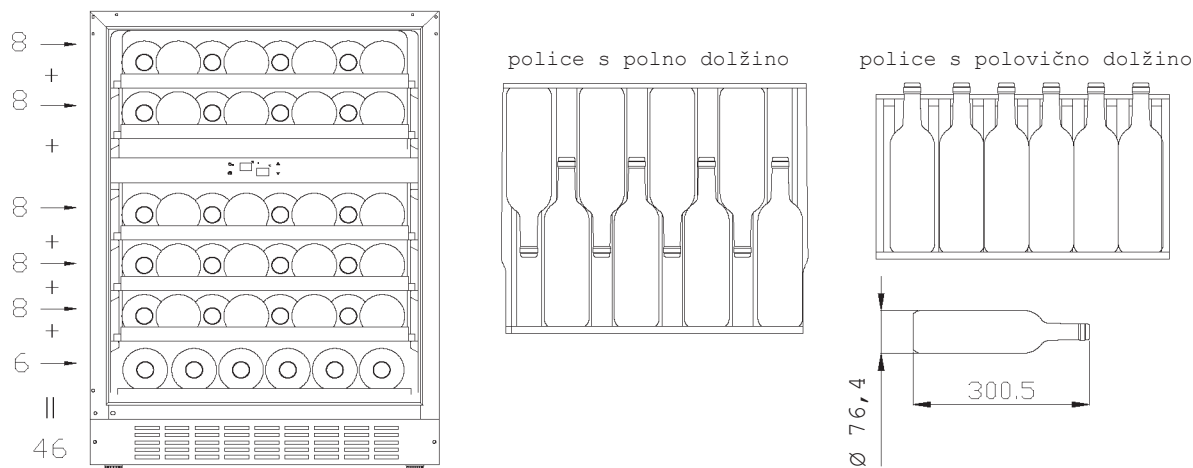


1. Odstranite 2 vijaka (1), nato povlecite vrata (4) glede na smer konice puščice, Odstranili boste vrata. Odstranite spodnji tečaj (desno) (1) tudi za montažo (sliki A in B).
2. Odstranite 3 vijake (6) z desnega zgornjega tečaja, nato odstranite desni zgornji (5) in desni spodnji tečaj (1) (glejte sliko C).
3. Uporabite vijake, ki ste jih odstranili z desnega tečaja, da pritrdite levi zgornji in spodnji tečaj (7) (8) (glejte sliko D in E).
4. Za vrtenje vrat pri 180 stopinjah nato sestavite vrata v obratnem vrstnem redu glede na odstranitev

➤ **Shema shranjevanja**

Glede na dejansko konfiguracijo vašega izdelka preverite relativno shemo shranjevanja.

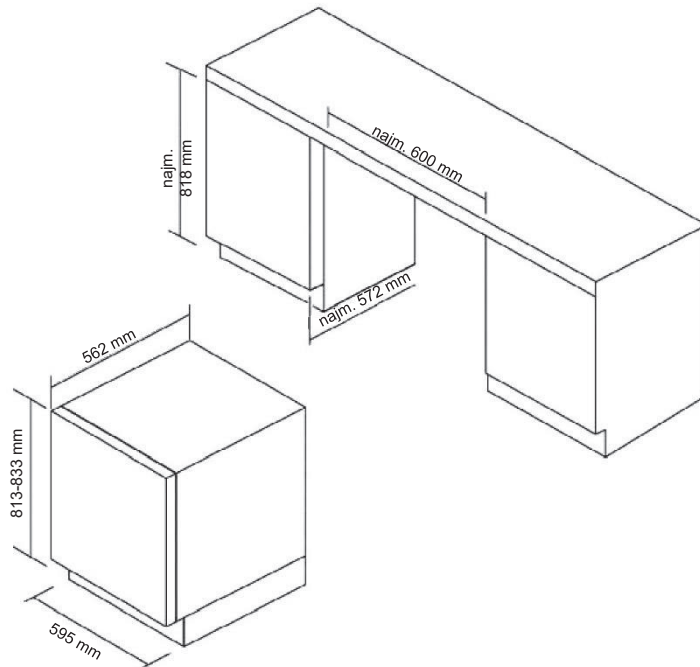
Skupaj: 46 steklenic (največ)



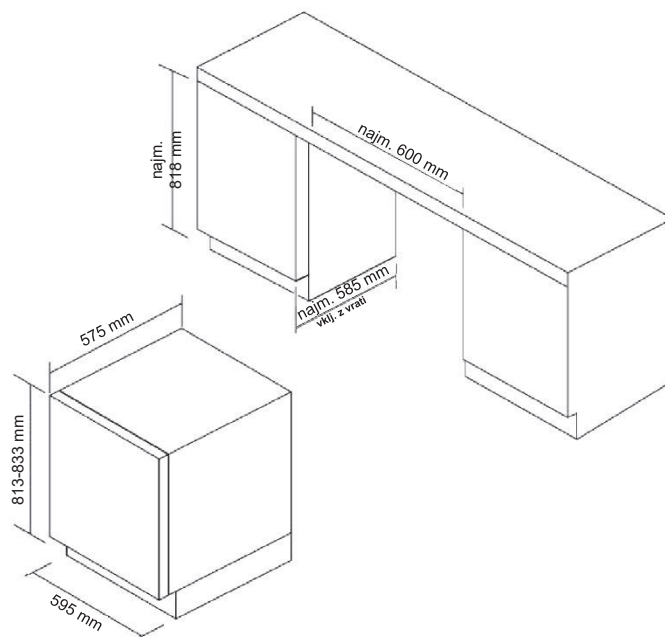
Za najbolj energijsko varčno konfiguracijo postavite police v njihove položaje v izdelku, kot kažejo zgornje slike.

➤ **Specifikacije namestitve za namene vgradnje**

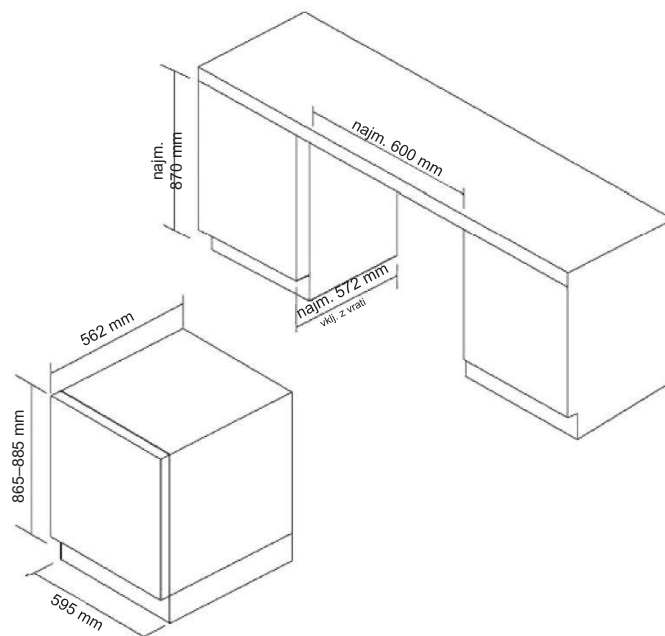
Za višino 813 mm z vrati, izdelanimi povsem iz stekla/nerjavnega jekla



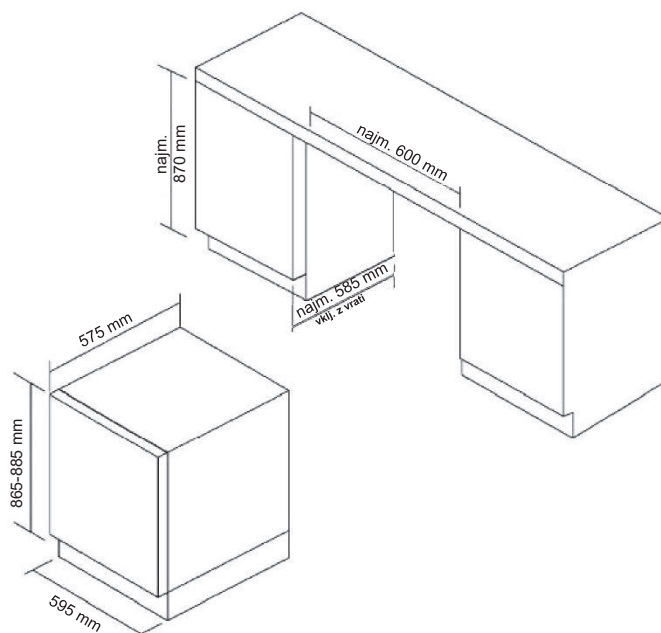
Za višino 813 mm s tankimi vrati iz nerjavnega jekla



Za višino 865 mm z vrati, izdelanimi povsem iz stekla/nerjavnega jekla



Za višino 865 mm s tankimi vrati iz nerjavnega jekla



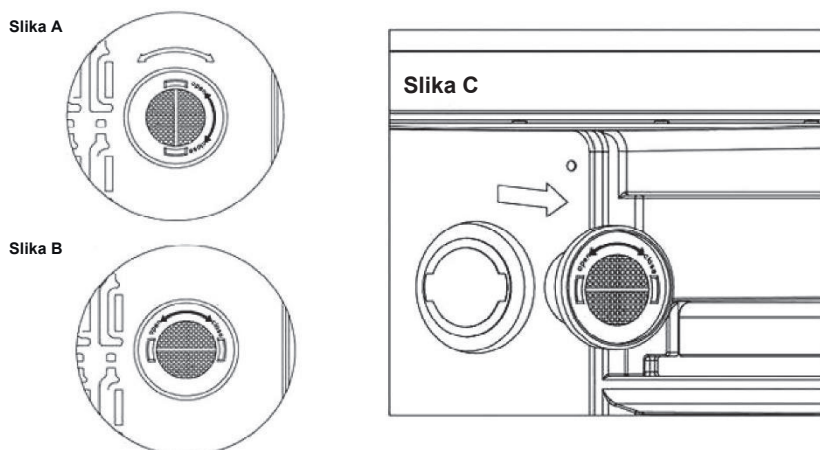
NEGA IN VZDRŽEVANJE

➤ **Čiščenje vašega hladilnika za vino**

- Izklopite napajanje, izklopite aparat in odstranite vse predmete, vključno s policami in stojalom.
- Notranje površine očistite s toplo vodo in raztopino sode bikarbone. Raztopino pripravite z 2 žlicama sode bikarbone in četrt litra vode.
- Police očistite z blago raztopino detergenta.
- Odstranite odvečno vodo iz gobice ali krpe, preden z njo čistite območje okrog regulatorjev ali katerih koli električnih delov.
- Zunanje površine operite s toplo vodo in blagim detergentom. Dobro sperite in obrišite s suho, mehko in čisto krpo.

➤ **Kako zamenjati ogljeni filter (če je prisoten v vašem aparatu)**

- Ogljeni filtri so v zgornjem desnem kotu vsakega območja hladilnika za vino.
- Odprite vrata in odstranite zgornji polici (glejte odstranjevanje polic).
- Obrnite filter v skladu s sliko A.
- Kot je prikazano na sliki B, mora biti filter poravnán z zarezi, kot je prikazano.
- Izvlecite filter (slika C).
- Vstavite nadomestni filter in ga zasukajte v skladu s sliko A, da se zaklene v položaj.
- Znova namestite police.



➤ **Izpad električne energije**

- Večino električnih izpadov lahko popravijo v nekaj urah in ne smejo vplivati na temperaturo aparata, če vrata odpirate čim manjkrat. Če električne energije dalj časa ne bo na voljo, morate svoja živila ustrezno zaščititi.

➤ **Čas dopusta**

- **Kratek dopust:** Hladilnik za vino pustite delovati, če dopust traja manj kot tri tedne.
- **Dolg dopust:** Če aparata ne boste uporabljali več mesecev, odstranite vse elemente in izklopite aparat. Aparat temeljito očistite in notranjost dodobra osušite. Preprečite nastanek smradu in rast plesni, zato pustite vrata priprta: po potrebi jih blokirajte, da se ne bodo mogla zapreti.

➤ **Premikanje vašega hladilnika za vino**

- Odstranite vse predmete.
- Vse nepritrjene predmete (police) v aparatu trdno prilepите.
- Obrnite nastavljivo nogo proti dnu, da se izognete poškodbam.
- Vrata zaprite in zalepите.
- Med transportom mora biti aparat fiksiran v pokončnem položaju. Zunanost aparata zaščitite tudi z odejo ali podobnim predmetom.

➤ **Namigi za varčevanje z električno energijo**

- Aparat mora biti nameščen na najhladnejšem območju v prostoru, stran od naprav, ki proizvajajo toploto, in neposredne sončne svetlobe.

IMATE TEŽAVE S HLADILNIKOM ZA VINO/PIJAČO?

Veliko težav, ki nastopijo pri hladilniku za vino/pijačo, lahko preprosto rešite sami in prihranite pri servisnih stroških. Uporabite spodnje nasvete in poskusite rešiti svojo težavo preden kličete serviserja.

VODNIK ZA ODPRAVLJANJE NAPAK

TEŽAVA	MOŽEN VZROK
Hladilnik za vino/pijače ne deluje.	Aparat ni priključen na vir električne energije. Aparat je izklopljen. Sprožil se je odklopnik ali pa je pregorela varovalka.
Hladilnik za vino/pijače ni dovolj hladen.	Preverite nastavitev izbire temperature. Zunanje okolje lahko določa višjo nastavitev. Prepogosto odpirate vrata. Vrat ne zaprete do konca. Tesnilo vrat ne tesni dobro.
Pogosto se vklopi in izklopi.	Temperatura prostora je višja od običajne. V hladilnik za vino/pijače je bilo dodatnih veliko izdelkov. Prepogosto odpirate vrata. Vrat ne zaprete do konca. Gumb za nastavitev temperature ni pravilno nastavljen. Tesnilo vrat ne tesni dobro.
Luč ne deluje.	Aparat ni priključen na vir električne energije. Sprožil se je odklopnik ali pa je pregorela varovalka. Žarnica je pregorela. Gumb za luč je »OFF« (IZKLOPLJEN).
Vibracije.	Preverite, ali je hladilnik za vino/pijače poravnan.
Zdi se, da hladilnik za vino/pijače povzroča prevelik hrup.	Rožljanje se lahko sliši zaradi pretakanja hladilne tekočine, kar je normalen pojav. Ob koncu vsakega ciklusa lahko slišite klokotanje, ki ga povzroča pretakanja hladilne tekočine v vašem hladilniku za vino/pijače. Zaradi krčenja in širjenja notranjih sten lahko slišite pokanje in hreščanje. Hladilnik za vino/pijače ni poravnan.
Vrata se ne zapirajo dobro.	Hladilnik za vino/pijače ni poravnan. Vrata so bila premeščena in niso bila pravilno vgrajena. Tesnilo je umazano. Police niso na svojem mestu.

Če želite stopiti v stik s tehnično pomočjo, obiščite naše spletno mesto:

<https://corporate.haier-europe.com/en/>

V razdelku »spletno mesto« izberite blagovno znamko izdelka in svojo državo. Preusmerjeni boste na določeno spletno mesto, kjer boste našli telefonsko številko in obrazec za stik s tehnično pomočjo

➤ **Razpoložljivost nadomestnih delov**

- Termostati, temperaturni senzorji, tiskana vezja in svetlobni viri so na voljo najmanj sedem let po tem, ko je bila na trg dostavljena zadnja enota modela.
- Ključavnice, tečaji vrat, pladnji in košare najmanj sedem let, tesnila vrat pa najmanj 10 let po tem, ko je bila na trg dostavljena zadnja enota modela.

Priporočene temperaturne NASTAVITVE

Za shranjevanje VSEH VRST VIN **od 12 °C do 14 °C**

Priporočena temperatura ZA PITJE

Nestaran šampanjec, peneče vino	6 °C
Staran šampanjec	10 °C
Suho belo vino Semillon, Sauvignon Blanc	8 °C
Suho belo vino Gewürztraminer, rizling	10 °C
Suho belo vino Chardonnay	10 °C
Žlahtno vino Chardonnay	14 °C
Sladko belo vino Sauternes Monbazillac, ledena trgatev	10 °C
Sladka bela žlahtna vina Sauternes	14 °C
Beaujolais	13 °C
Rdeče vino Pinot Noir	16 °C
Žlahtno rdeče vino Pinot Noir	18 °C
Rdeče vino Cabernet, Merlot; francosko, avstralsko, novozelandsko, čilsko, argentinsko, italijansko, špansko, kalifornijsko vino	18 °C
Rdeče vino Grenache, Syrah	16 °C

Za dodatne informacije o izdelku obiščite spletno mesto <https://eprel.ec.europa.eu/> ali skenirajte kodo QR na energijski nalepki, priloženi aparatu.

Deutsch

Vielen Dank für den Kauf dieses Produkts.

Bitte lesen Sie vor dem Gebrauch des Kühlschranks diese Anleitung sorgfältig, um das Gerät optimal zu nutzen. Bewahren Sie die gesamte Referenzdokumentation zum Nachschlagen oder für einen eventuellen späteren Besitzer auf. Dieses Gerät ist ausschließlich für den Hausgebrauch und vergleichbare Verwendung bestimmt, wie:

- Personalküchen in Geschäften, Büros und anderen Arbeitsumgebungen,
- in landwirtschaftlichen Betrieben, für die Nutzung durch Gäste von Hotels, Motels und ähnlichen Unterkünften,
- Bed & Breakfast (B&B),
- Catering-Dienste und ähnliche Zwecke im Einzelhandel.

Das Gerät darf ausschließlich für die Konservierung von Lebensmitteln verwendet werden. Jede andere Verwendung wird als gefährlich erachtet und der Hersteller weist im Fall der Nichtbeachtung jede Haftung zurück. Bitte lesen Sie auch die Garantiebestimmungen.

SICHERHEITSINFORMATIONEN

Bitte lesen Sie die Bedienungs- und Installationsanleitung sorgfältig durch!

Sie enthalten wichtige Informationen, wie das Gerät installiert, verwendet und gewartet werden soll.

Der Hersteller haftet nicht, wenn Sie die Anweisungen und Warnungen nicht beachten.

Bewahren Sie die gesamte Dokumentation zum Nachschlagen oder für einen eventuellen späteren Besitzer auf.

- **Das Gerät erst dann an die Stromversorgung anschließen, wenn sämtliches Verpackungsmaterial und Transportschutzvorrichtungen entfernt wurden. Kinder von Verpackungsmaterial fernhalten. Erstickungsgefahr durch Faltschachteln und Kunststoffolie!**
- **Das Gerät vor dem Einschalten mindestens vier Stunden lang stehen lassen, wenn es im Liegen transportiert wurde, damit sich das Kompressoröl absetzen kann.**
- **Vergewissern Sie sich, dass keine Transportschäden vorliegen.**
- **Den Kühlkreislauf nicht beschädigen.**
- **Die Lüftungsgitter am Gehäuse des Geräts und innerhalb der Einbauöffnung nicht verstopfen oder verschließen.**
- **Kompressor niemals feucht reinigen. Umgebung des Kompressors nach dem Reinigen gründlich trocken wischen, um Rost zu vermeiden.**
- **Das Gerät immer mit mindestens zwei Personen transportieren, da es schwer ist.**
- **Installieren und richten Sie das Gerät in einem Bereich ein, der für seine Größe und Verwendung geeignet ist.**
- **Stellen Sie sicher, dass die elektrischen Informationen auf dem Typenschild der Stromversorgung entsprechen. Ist dies nicht der Fall, wenden Sie sich an einen Elektriker.**
- **Das Gerät wird über eine 220-240 V Wechselspannung/50 Hz betrieben. Unnormale Spannungsschwankungen könnten dazu führen, dass das Gerät**

nicht angeht, der Temperaturregler oder Kompressor beschädigt wird, oder dass während des Betriebs ein unnormales Geräusch auftritt. In einem solchen Fall ist ein automatischer Regler anzubringen.

- **Nur für Großbritannien:** Das Gerätenetzkabel ist mit einem 3-adrigen Stecker (Erdungsstecker) ausgestattet, der in eine 3-adrige Norm-Buchse (geerdet) passt. Den dritten Stift (Erdung) auf keinen Fall kappen oder entfernen. Das Gerät muss so installiert werden, dass der Stecker erreichbar ist.
- **Darauf achten, dass das Stromkabel während und nach dem Tragen/Verschieben des Geräts nicht darunter stecken bleibt, damit es nicht beschädigt oder zerschnitten wird.** Wenn das Stromkabel beschädigt ist, muss es vom Hersteller oder von seinem Service-Mitarbeiter, oder einer gleichwertig qualifizierten Person ausgetauscht werden, um jegliches Risiko zu vermeiden.
- **Das Gerät nicht in Umgebungen mit feuchter, öliger oder staubiger Atmosphäre installieren sowie vor direkter Sonneneinstrahlung und Wasser schützen.**
- **Das Gerät nicht in der Nähe von Hitzequellen oder entflammaren Materialien installieren.**
- **FÜR Geräte mit Gefrierfach:** Bei Stromausfall nicht die Türe öffnen. Das Gefriergut sollte nicht beeinträchtigt werden, wenn der Stromausfall die auf dem Typenschild angegebenen Stunden (Temperaturanstiegszeit) nicht überdauert. Dauert der Stromausfall länger, sollten die Lebensmittel überprüft und sofort verzehrt oder gekocht und erneut eingefroren werden.
- **Lässt sich die Türe des Geräts schwierig öffnen, nachdem Sie diese gerade geschlossen haben, so ist dies normal. Dies liegt am Druckausgleich, der hergestellt wird. Die Türe lässt sich normalerweise nach wenigen Minuten wieder öffnen.**
- **Keine Arzneimittel, Bakterien oder Chemikalien im Gerät lagern. Dieses Gerät ist ein Haushaltsgerät, es wird daher davon abgeraten, Materialien zu lagern, die extreme Temperaturen erfordern.**
- **Das Netzkabel nicht stark spannen oder biegen und den Netzstecker nicht mit nassen Händen berühren.**
- **Bewahren Sie keine Produkte auf, die entzündliche Treibmittel (z. B. Sprühdosen) oder explosive Substanzen enthalten. Explosionsgefahr!**
- **Stellen Sie keine instabilen Gegenstände (schwere Gegenstände, mit Wasser gefüllte Behälter) auf den Kühlschrank, um Verletzungen durch Herunterfallen oder elektrische Schläge durch Kontakt mit Wasser zu vermeiden.**
- **Im Inneren des Kühlschranks keine elektrischen Geräte benutzen, es sei denn, der Typ wurde vom Hersteller empfohlen.**
- **Berühren Sie interne Kühlelemente nicht, insbesondere nicht mit nassen Händen, um Risse oder Verletzungen zu vermeiden.**

- **Gefährdet sind hier Kinder, Menschen mit eingeschränkten körperlichen, geistigen oder sensorischen Fähigkeiten sowie Menschen, die über unzureichende Kenntnisse in Bezug auf den sicheren Betrieb des Geräts verfügen.**
- **Überprüfen Sie, ob Kinder und schutzbedürftige Menschen die Gefahren verstanden haben. Eine für die Sicherheit verantwortliche Person muss Kinder und gefährdete Personen, die das Gerät benutzen, überwachen oder instruieren. Nur Kinder ab 8 Jahren dürfen das Gerät benutzen.**
- **Dieses Gerät ist kein Spielzeug für Kinder.**
- **Kinder im Alter von 3 bis 8 Jahren dürfen Lebensmittel in dieses Gerät legen und herausnehmen.**
- **FÜR Geräte mit Gefrierfach: Keine abgefüllten oder konservierten Flüssigkeiten (insbesondere kohlenensäurehaltige Getränke) im Gefrierfach aufbewahren. Flaschen und Dosen können platzen!**
- **FÜR Geräte mit Gefrierfach: Tiefkühlware nie direkt aus dem Gefrierfach in den Mund nehmen. Es besteht die Gefahr einer Kälteverbrennung!**
- **Halten Sie Kunststoffteile und die Türdichtung frei von Öl und Fett. Andernfalls werden Kunststoffteile und die Türdichtung porös.**
- **Vor jedem Eingriff am Gerät den Netzstecker ziehen.**
- **Keine mechanischen oder sonstigen Hilfsmittel verwenden, um den Abtauvorgang zu beschleunigen, es sei denn, dies ist vom Hersteller so empfohlen.**
- **Keine scharfkantigen Gegenstände wie Messer oder Gabeln verwenden, um Eisschichten damit zu entfernen.**
- **Keinen Haarföhn, Heizgeräte oder sonstige elektrische Geräte zum Abtauen verwenden.**
- **Den Netzstecker sauber halten. Starke Staubablagerungen erhöhen die Brandgefahr.**
- **Versuchen Sie nicht, das Gerät selbst zu reparieren, zu zerlegen oder zu verändern. Bei Reparaturen wenden Sie sich immer an unseren Kundenservice.**
- **Kinder überwachen, während das Gerät gereinigt oder gewartet wird.**
- **Die kalten Einlegeböden aus Glas nicht mit heißem Wasser reinigen. Plötzliche Temperaturschwankungen können dazu führen, dass das Glas zerspringt.**
- **WARNUNG: Die Rohre des Kühlkreislaufs enthalten eine geringe Menge eines umweltfreundlichen, aber brennbaren Kältemittels (R600a) und ein Schaumtreibmittel (Cyclopentan). Es schädigt nicht die Ozonschicht und erhöht nicht den Treibhauseffekt. Wenn das Kältemittel entweicht, kann es Ihre Augen schädigen oder sich entzünden.**
- **Wenn der Kühlkreislauf beschädigt wird:**
 - **Schalten Sie das Gerät aus und ziehen Sie den Netzstecker.**
 - **Halten Sie offenes Feuer und Zündquellen vom Gerät fern.**

- Den Raum einige Minuten lang gründlich lüften.
- Informieren Sie den Kundendienst.
- **WARNUNG: Den Netzstecker und/oder das Netzkabel nicht beschädigen - Stromschlag- und Brandgefahr!**
- **WARNUNG: Keine Mehrfachsteckdosen oder Verlängerungen verwenden. Keine Verlängerungskabel und Mehrfachsteckleisten verwenden.**
- **Sich nicht auf das Gerät stellen oder darauf sitzen. Dies könnte zu Personenschäden führen oder das Gerät beschädigen. Dieses Gerät ist nicht geeignet, um darauf oder darunter weitere Geräte zu stapeln.**
- **Das Produkt ist nur für die Verwendung in Privathaushalten vorgesehen.**
- **Es dürfen nur Originalteile verwendet werden, die vom Hersteller geliefert werden. Der Hersteller garantiert, dass nur diese Teile die Sicherheitsanforderungen erfüllen.**
- **Das längere Öffnen der Tür kann zu einem bedeutenden Temperaturanstieg in den Kühlfächern des Geräts führen.**
 - **Die mit den Lebensmitteln in Berührung kommenden Oberflächen und zugänglichen Ablaufsysteme müssen regelmäßig gereinigt werden.**
 - **Reinigen Sie die Wassertanks, wenn sie 48 Stunden lang nicht benutzt wurden. Spülen Sie den an eine Wasserleitung angeschlossenen Wasserkreislauf, wenn fünf Tage lang kein Wasser entnommen wurde.**
 - **Bewahren Sie rohes Fleisch und Fisch in geeigneten Behältern im Kühlschrank auf, damit es nicht mit anderen Lebensmitteln in Berührung kommt oder Flüssigkeit auf diese tropft.**
 - **Zwei-Sterne-Gefrierfächer (sofern im Gerät vorhanden) eignen sich zur Aufbewahrung von vorgefrorenen Lebensmitteln, zur Lagerung oder Herstellung von Speiseeis und zur Herstellung von Eiswürfeln.**
 - **Ein-, Zwei- und Drei-Sterne-Fächer, sofern im Gerät vorhanden, sind nicht zum Einfrieren von frischen Lebensmitteln geeignet.**
 - **Wenn das Gerät längere Zeit leer bleibt, schalten Sie es aus, tauen Sie es ab, reinigen und trocknen Sie es, und lassen Sie die Tür offen, um zu verhindern, dass sich im Innenraum Schimmel bildet.**
- **FÜR Weintemperierschränke: Dieses Gerät ist ausschließlich für die Weinlagerung bestimmt.**
- **FÜR ein frei stehendes Gerät: Dieses Kühlgerät ist nicht zur Verwendung als Einbaugerät bestimmt.**
- **FÜR Geräte ohne 4-Sterne-Fach: Dieses Kühlgerät ist nicht zum Einfrieren von Lebensmitteln geeignet.**

Entsorgung des Altgeräts



Dieses Elektrohaushaltsgerät ist entsprechend der EU-Richtlinie 2012/19/CE über Elektro- und Elektronik-Altgeräte (WEEE) gekennzeichnet.

Elektro- und Elektronik-Altgeräte enthalten umweltschädigende Substanzen, aber auch Grundkomponenten, die wiederverwendet werden können. Daher ist es wichtig, Elektro- und Elektronik-Altgeräte spezifisch zu entsorgen, um alle schädlichen Substanzen zu entfernen und wiederverwendbare Teile zu recyceln.

Verbraucher leisten einen wichtigen Beitrag zur Gewährleistung, dass Elektro- und Elektronik-Altgeräte nicht zu einem Umweltproblem werden. Halten Sie sich daher bitte an die folgenden Grundregeln:

- Elektro- und Elektronik-Altgeräte dürfen nicht mit dem normalen Hausmüll entsorgt werden.
- Elektro- und Elektronik-Altgeräte müssen bei zugelassenen Sammelstellen abgegeben werden, die von der Stadtverwaltung oder anderen zuständigen Stellen verwaltet werden. In vielen Ländern wird für die Entsorgung großer Elektro- und Elektronik-Altgeräte ein Abholservice angeboten.

Beim Kauf eines neuen Geräts wird das alte möglicherweise vom Händler zurückgenommen, der es kostenfrei entsorgt, sofern das neue Gerät von einem ähnlichen Typ ist und die gleiche Funktion erfüllt wie das Altgerät.

Konformität

Durch das Zeichen **CE** auf diesem Produkt wird seine Einhaltung aller geltenden Sicherheits-, Gesundheits- und Umweltauflagen bestätigt, die gesetzlich für dieses Produkt vorgeschrieben sind.

Garantie

Die Mindestgarantie beträgt: 2 Jahre für EU-Länder, 3 Jahre für die Türkei, 1 Jahr für Großbritannien, 1 Jahr für Russland, 3 Jahre für Schweden, 2 Jahre für Serbien, 5 Jahre für Norwegen, 1 Jahr für Marokko, 6 Monate für Algerien, Tunesien keine gesetzliche Gewährleistung erforderlich.

Energie sparen

Tipps zum Energiesparen:

- Das Gerät entfernt von Hitzequellen, vor Sonneneinstrahlung geschützt und in einem gut belüfteten Raum aufstellen.
- Keine warmen Speisen in das Gerät stellen. Dies erhöht die Innentemperatur und der Kompressor arbeitet im Dauerbetrieb.
- Das Gerät nicht übermäßig füllen, um eine korrekte Belüftung zu gewährleisten.
- Wenn sich eine Eisschicht bildet, das Gerät abtauen, um die Kälteabgabe zu erleichtern.
- Bei Stromausfall die Tür möglichst geschlossen halten.
- Die Türen so selten wie möglich öffnen und nicht zu lange offen halten.
- Den Thermostat nicht auf eine übermäßig geringe Temperatur einstellen.
- Staubablagerungen von der Geräterückseite entfernen

Lichtquelle (nur LED), die durch einen Fachmann ausgetauscht werden kann.

Dieses Produkt enthält eine Lichtquelle der Energieeffizienzklasse G.

INSTALLATIONSANWEISUNG

➤ Vor der Verwendung Ihres Weintemperierschranks

- Entfernen Sie die Umverpackung und die Innenverpackung.
- Vor dem Anschluss an die Stromquelle muss der Weintemperierschrank zwei (2) Stunden aufrecht stehen. Auf diese Weise werden Störungen des Kühlsystems infolge der Handhabung während des Transports vermieden.
- Reinigen Sie die Außenflächen mit handwarmem Wasser und einem weichen Tuch.
- Entsorgen Sie Ihr Gerät nur über einen autorisierten Abfallentsorger.

➤ Installation Ihres Weintemperierschranks

- Dieses Gerät ist für die freistehende Installation oder für den Einbau (vollständig integriert) vorgesehen (siehe Aufkleber auf der Rückseite des Geräts).
- **Dieses Gerät ist ausschließlich für die Wein- und Getränkelagerung bestimmt.**
- Stellen Sie den Weintemperierschrank auf einem Boden mit ausreichender Tragkraft für das vollbeladene Gerät auf. Bringen Sie den Weintemperierschrank über den vorderen Stellfuß an der Unterseite in die Waage.
- Dieses Gerät enthält ein entflammbares Kältemittel. Beschädigen Sie also niemals die Kühlleitungen während des Transports. Stellen Sie den Weintemperierschrank geschützt vor direkter Sonneneinstrahlung und von Heizquellen entfernt auf (Ofen, Herd, Heizkörper usw.). Direkte Sonneneinstrahlung kann die Akrylbeschichtung beschädigen und Heizquellen in der Nähe tragen zu erhöhtem Energieverbrauch bei. Extrem kalte Temperaturen können ebenfalls die Ursache dafür sein, dass das Gerät nicht richtig arbeitet.
- Stellen Sie das Gerät nicht an feuchten Orten auf.
- Verbinden Sie den Weintemperierschrank mit einer einzelnen, richtig geerdeten Wandsteckdose. Schneiden Sie unter keinen Umständen den (dritten) Erdungsstift vom Stecker ab: entfernen Sie ihn niemals! Wenden Sie sich mit Fragen zur Stromversorgung und/oder der Erdung an einen qualifizierten Elektriker oder den autorisierten Kundendienst.

➤ Achtung:

- Wein in verschlossenen Flaschen aufbewahren.
- Schrank nicht überladen.
- Tür nur öffnen, wenn es notwendig ist.
- Einlegeböden nicht mit Alufolie oder anderem Material abdecken, das die Luftzirkulation behindern könnte.
- Sollte der Weintemperierschrank längere Zeit nicht benutzt werden, empfiehlt es sich, nach einer sorgfältigen Reinigung die Tür einen Spalt offen zu lassen, damit die Luft im Inneren des Gehäuses zirkulieren kann, und um eine mögliche Bildung von Kondenswasser, Schimmel oder Gerüchen zu vermeiden.

➤ Grenzwerte für die Raumtemperatur





Dieses Gerät ist für den Betrieb bei Umgebungstemperaturen ausgelegt, die durch die auf dem Typenschild angegebene Temperaturklasse angegeben sind.

- Subnormal (SN): „Dieses Kühlgerät ist für die Verwendung bei einer Umgebungstemperatur zwischen 10°C und 32°C ausgelegt“.
- Normal (N): „Dieses Kühlgerät ist für die Verwendung bei einer Umgebungstemperatur zwischen 16°C und 32°C ausgelegt“.
- Subtropisch (ST): „Dieses Kühlgerät ist für die Verwendung bei einer Umgebungstemperatur zwischen 16°C und 38°C ausgelegt“.



BEDIENUNG DES WEIN-/GETRÄNKEKÜHLSCHRANKS UND EINSTELLUNG DER TEMPERATURREGELUNG

➤ Anweisung für das Bedienfeld



- **Taste**  Schalten Sie zur Bedienung das Gerät ein/aus (halten Sie diese Tasten ca. 3 Sekunden lang gedrückt).
- **Taste**  Schalten Sie das Innenlicht über diese Taste ein/aus.
- **Taste**  Zum Einstellen der Temperatur im oberen Fach.
- **Taste**  Zum Einstellen der Temperatur im unteren Fach.
- **LED-Anzeigefenster auf der linken Seite**
Zum Einstellen der Temperatur im oberen Fach.
- **LED-Anzeigefenster auf der rechten Seite**
Zum Einstellen der Temperatur im unteren Fach.
- **Anzeigeleuchte**
Anzeige Kompressor in Betrieb.

➤ Einstellen der Temperaturregelung

- Wenn Sie die Taste  oder  drücken, geht das System automatisch in den Einstellungsmodus für das obere oder untere Fach. Die LED blinkt und zeigt die Temperatureinstellung an. Durch einmaliges Drücken der Taste wird die Temperatur um 1°C gesenkt oder erhöht. Bei Überschreiten des einstellbaren Mindestwertes springt das System automatisch auf den höchsten einstellbaren Temperaturwert. Wenn Sie die Taste 5 Sekunden lang nicht mehr drücken, hört die LED-Anzeige auf zu blinken und zeigt wieder die Temperatur des oberen oder unteren Fachs an.
- Nachdem das Gerät vom Stromnetz getrennt wurde, kehrt das System auf die werkseitig eingestellte Temperatur zurück. Die akzeptierte Temperatur ist wie folgt:
 - Oberes Fach: 6°C
 - Unteres Fach: 12°C
- Wenn Sie jede Innenraumtemperatur anzeigen möchten, drücken Sie die Taste „Set Upper“ (Oberes Fach einstellen) oder „Set Lower“ (Unteres Fach einstellen). Die LED blinkt und zeigt die eingestellte Temperatur an. Wenn Sie die Taste 5 Sekunden lang nicht mehr drücken, hört die LED-Anzeige auf zu blinken und kehrt dann zur Anzeige der aktuellen Temperatur zurück.

Oberes Fach: Die Temperatur kann von 5°C bis 10°C eingestellt werden.

Unteres Fach: Die Temperatur kann von 10°C bis 18°C eingestellt werden.

➤ **Temperaturalarm**

Wenn die Innentemperatur über 23°C liegt, wird auf dem Display „HI“ (HOCH) angezeigt, und nach einer Stunde ertönt der Alarm/Summer. Dies bedeutet, dass die Temperatur im Inneren zu hoch ist. Wenn die Innentemperatur unter 0°C liegt, erscheint auf dem Anzeigefeld die Meldung „LO“ (NIEDRIG) und gleichzeitig ist die Alarm- und Störungsanzeige aktiv.

➤ **Temperatur-Speicherfunktion**

Bei einem Stromausfall kann der Weintemperierschrank die vorherigen Temperatureinstellungen speichern, und wenn die Stromversorgung wiederhergestellt ist, wird die Temperatur auf die gleiche Temperatur wie zuvor eingestellt.

➤ **Innenlicht**

Um den Energieverbrauch zu senken, schaltet dieser Weintemperierschrank die LED-Beleuchtung nach 10 Minuten automatisch ab.

Wenn Sie möchten, dass das LED-Licht anbleibt, ist dies möglich. Halten Sie dazu die Taste „LIGHT“ (LICHT) 5 Sekunden lang gedrückt, auf dem Display wird „LP“ angezeigt. Nach 4 Sekunden kehrt die Anzeige in den Normalzustand zurück und das Licht bleibt so lange an, bis es manuell ausgeschaltet wird.

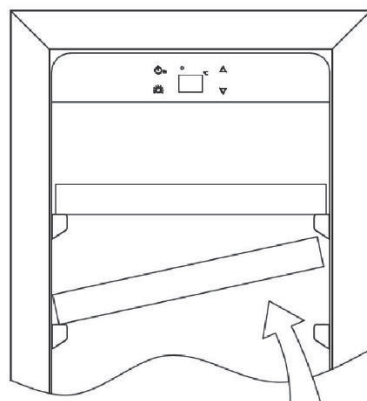
Wenn Sie den Normalzustand wiederherstellen möchten, um Energie zu sparen (empfohlen), halten Sie die Taste „LIGHT“ (LICHT) 5 Sekunden lang gedrückt. Auf dem Display wird „LF“ angezeigt. Nach vier Sekunden ist es wieder normal und das Licht geht automatisch nach 10 Minuten aus.

➤ **Einlegeböden**

- Um eine Beschädigung der Türdichtung zu vermeiden, muss die Tür ganz geöffnet sein, wenn Sie die Einlegeböden aus den Führungsschienen herausziehen.
- Für einen einfachen Zugriff auf den Inhalt müssen Sie die Regalböden etwa 1/3 aus den Führungsschienen herausziehen. Dieses Gerät wurde mit einer Einkerbung auf beiden Seiten der Regalschienen versehen, um zu verhindern, dass Flaschen herunterfallen.
- Wenn Sie einen dieser Einlegeböden aus der Schienenführung herausnehmen möchten, kippen Sie den Einlegeboden gemäß der Abbildung und ziehen Sie ihn einfach heraus oder schieben Sie ihn hinein, bis er sicher auf den Halteklammern sitzt.

➤ **HINWEIS:**

- Nach dem Ziehen des Gerätesteckers, einer Stromunterbrechung oder der Abschaltung müssen Sie vor dem erneuten Einschalten 3 bis 5 Minuten warten. Wenn diese Verzögerungszeit nicht eingehalten wird, schaltet sich der Wein-/Getränkekühlschrank ggf. nicht ein.
- Wenn Sie den Wein-/Getränkekühlschrank zum ersten Mal benutzen oder nach längerem Stillstand wieder in Betrieb nehmen, kann es zu einer Abweichung von einigen Grad zwischen der von Ihnen gewählten und der auf der LED-Anzeige angezeigten Temperatur kommen. Das ist normal und hängt mit der Länge der Aktivierungszeit zusammen. Sobald der Wein-/Getränkekühlschrank ein paar Stunden in Betrieb ist, ist alles wieder normal.



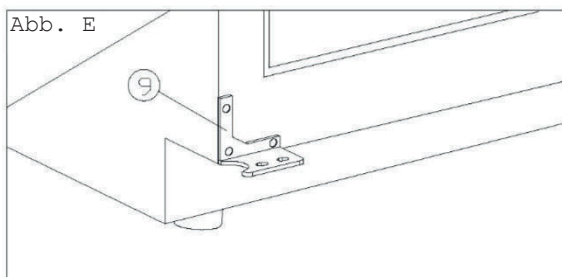
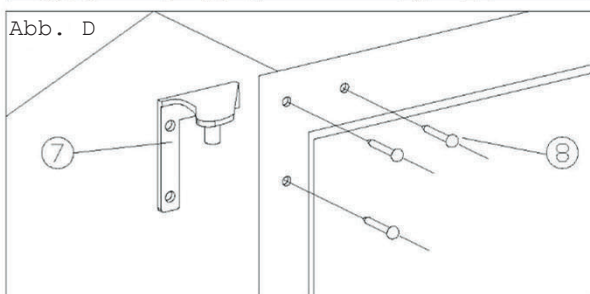
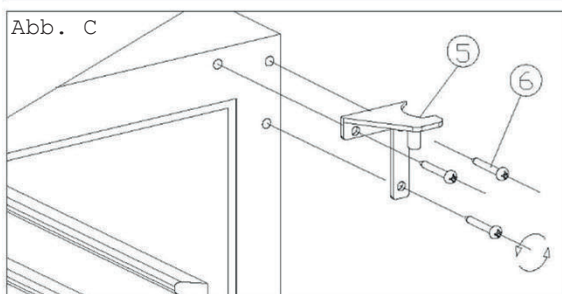
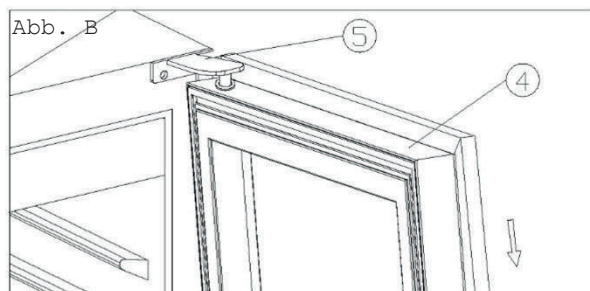
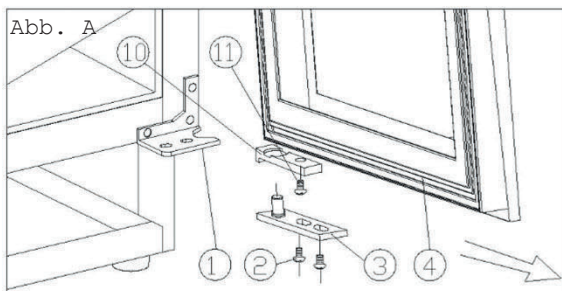
➤ **So ändern Sie den Türanschlag**

Der Türanschlag dieses Geräts kann geändert werden, es wird aber mit rechts montierter Tür geliefert. Das linke Scharnier wird mit dem Gerät geliefert (im Lieferkarton), falls Sie den Türanschlag ändern möchten.

Typ A (für Vollglas/Edelstahltür)

- | | | |
|--------------------------------------|-------------------------------------|-------------------------------------|
| 1. Unteres Scharnier (rechts) | 2. Schrauben | 3. Türachse |
| 4. Tür | 5. Oberes Scharnier (rechts) | 6. Scharnier-Schrauben |
| 7. Scharnier oben (links) | 8. Öffnungsabdeckung | 9. Unteres Scharnier (links) |
| 10. Begrenzung der Türöffnung | 11. Schraube | |

1. Öffnen Sie die Tür in einem 90-Grad-Winkel, entfernen Sie die 2 Schrauben (2) von der unteren Türachse (3), nehmen Sie die Tür (4) ab und entfernen Sie die Achsenplatte (3) von der Tür (Abb. A).
2. Lösen Sie die Schraube (11), die sich unterhalb des Türrahmens und der Begrenzungsvorrichtung (10) befindet, und bringen Sie sie an der linken Seite des Türrahmens wieder an. (Abb. A/B)
3. Lösen Sie die 3 Scharnierschrauben (6) aus dem oberen Scharnier (rechts) (5) und entfernen Sie es. (Abb. C)
4. Entfernen Sie den Ziernagel (8) von der linken Oberseite des Schanks und montieren Sie das obere Ersatzscharnier (links) (7) mit 3 Schrauben an der linken Oberseite des Schanks. (Abb. D)
5. Bauen Sie das untere Ersatzscharnier nach dem oben beschriebenen Verfahren links ein (9). (Abb. E)
6. Bauen Sie die Tür ein und richten Sie sie aus.
7. Setzen Sie die Kunststoffkappen zur Abdeckung der Löcher ein (8).

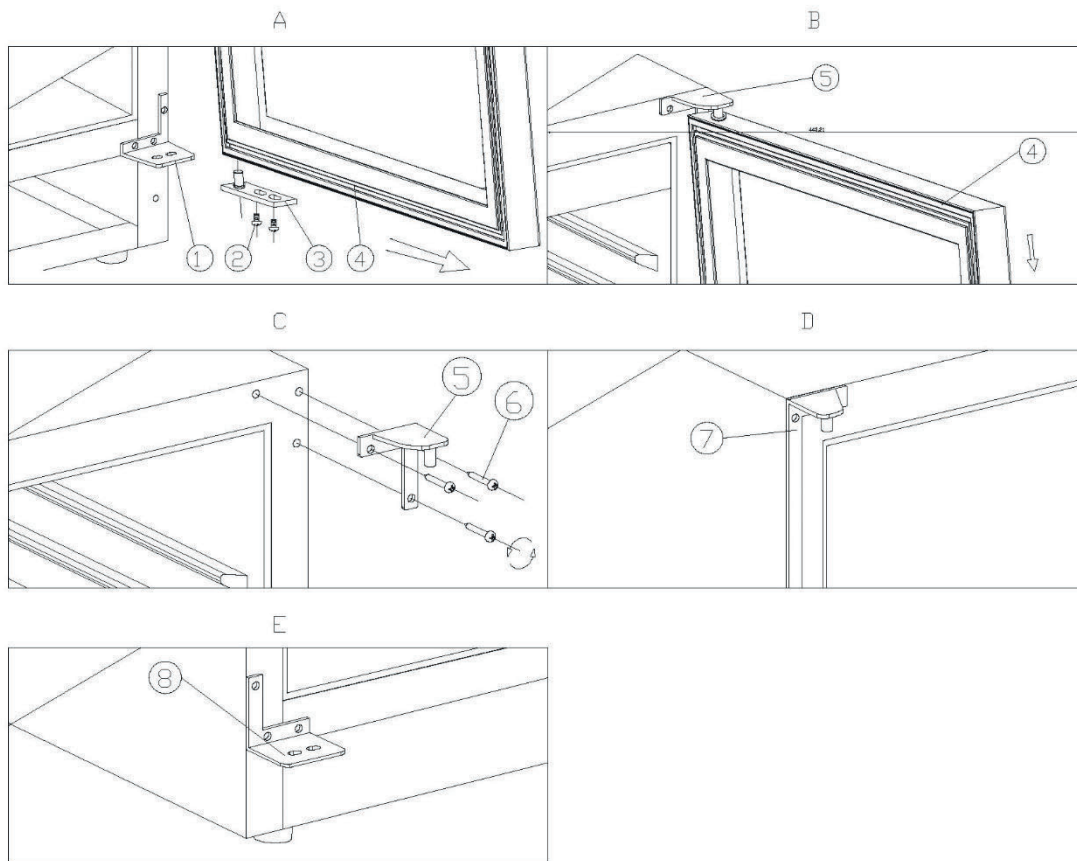


Typ B (für schmale Edelstahltür)

1. Unteres Scharnier (rechts)
4. Tür
7. Scharnier oben (links)

2. Schrauben
5. Oberes Scharnier (rechts)
8. Unteres Scharnier (links)

3. Achse der Tür
6. Schrauben

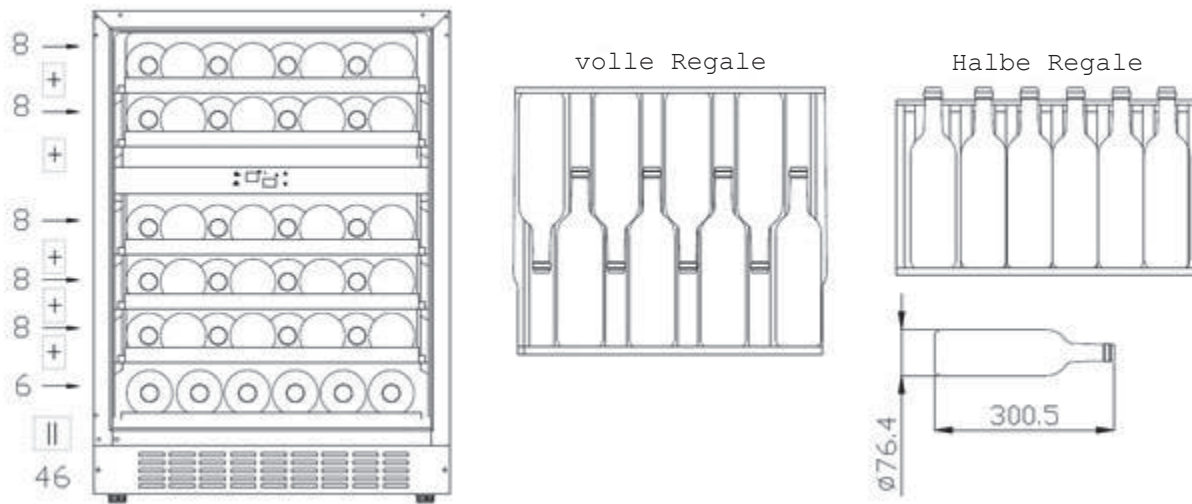


1. Entfernen Sie die 2 Schrauben (1) und ziehen Sie dann die Tür (4) in Pfeilrichtung heraus und nehmen Sie sie ab. Entfernen Sie auch das untere Scharnier (rechts) (1) für die Montage. (Abb. A und Abb. B)
2. Entfernen Sie die 3 Schrauben (6) des rechten oberen Scharniers, dann entfernen Sie das rechte obere (5) und das rechte untere Scharnier (1). (Siehe Abb. C)
3. Verwenden Sie die Schrauben, die Sie von den rechten Scharnieren entfernt haben, um die linken oberen und unteren Scharniere (7)(8) zu befestigen. (Siehe Abb. D und Abb. E)
4. Um die Tür um 180 Grad zu drehen, montieren Sie sie in umgekehrter Reihenfolge wie beim Ausbau.

➤ **Beladungsdiagramm**

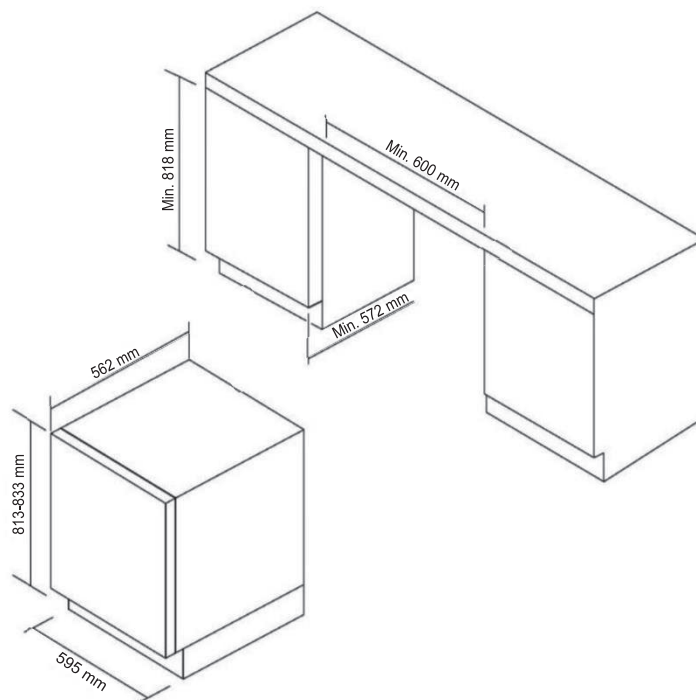
Je nach der tatsächlichen Konfiguration Ihres Produkts informieren Sie sich über das entsprechende Beladungsdiagramm.

Insgesamt: 46 Flaschen (Max)

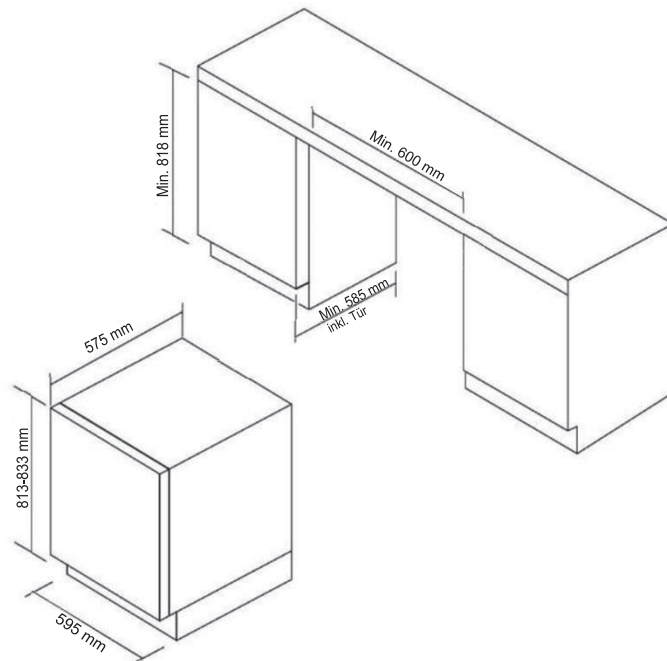


Die energiesparendste Konfiguration erfordert den Einsatz von Regalböden im Produkt, siehe die obigen Bilder.

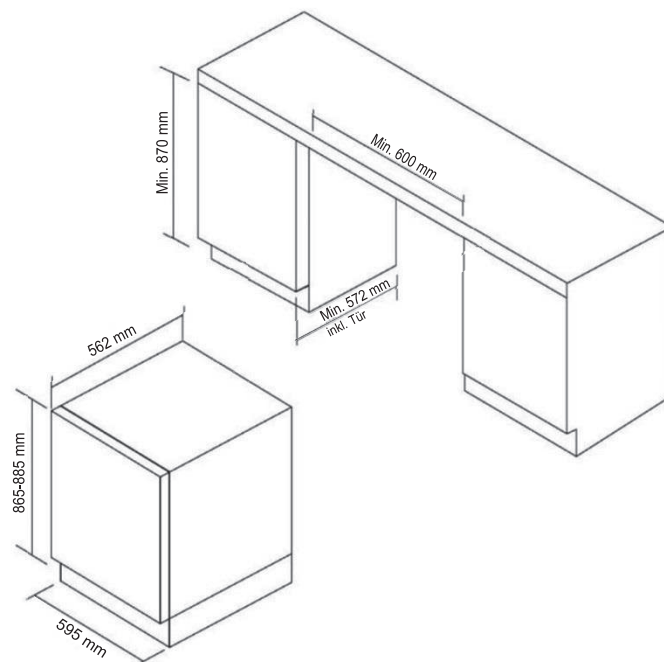
➤ **Einbauspezifikationen für Einbauzwecke**
Für Höhe 813 mm mit Vollglas/Edelstahltür



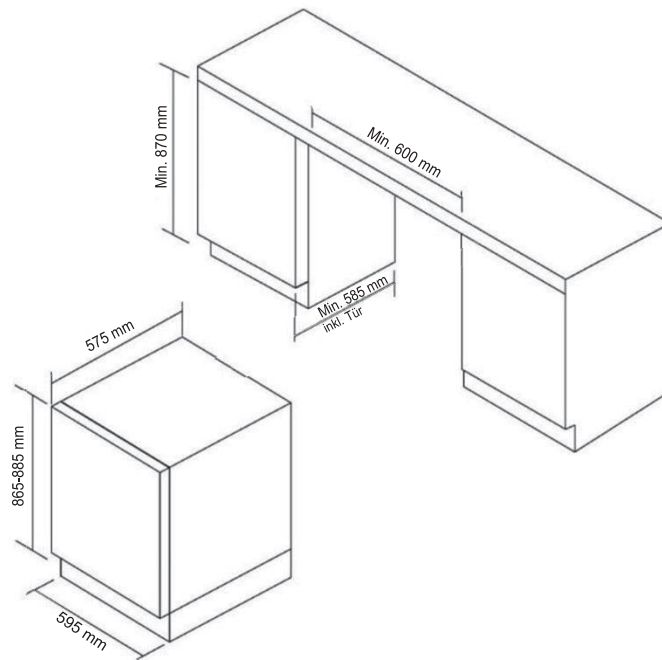
Für Höhe 813 mit schmaler Edelstahltür



Für Höhe 865 mm mit Vollglas/Edelstahltür



Für Höhe 865 mm mit schmaler Edelstahltür



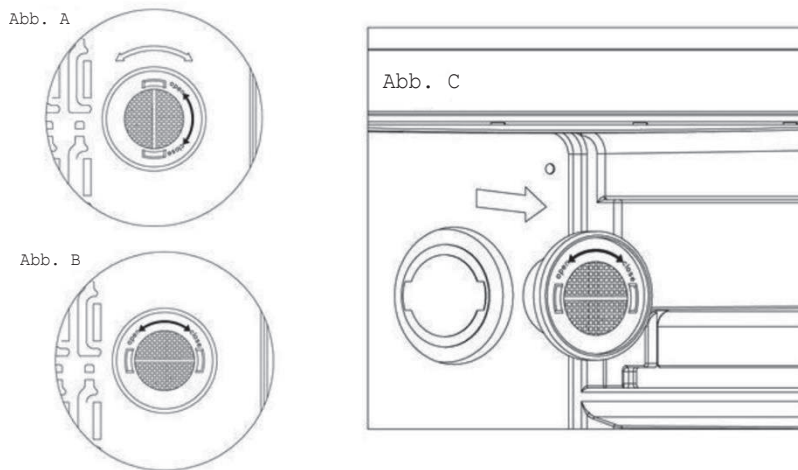
PFLEGE UND REINIGUNG

➤ Reinigung Ihres Wein-/Getränkekühlschranks

- Schalten Sie das Gerät aus, ziehen Sie den Netzstecker und entfernen Sie alle Gegenstände, einschließlich der Einlegeböden und des Regals.
- Waschen Sie den Innenraum mit warmem Wasser und einer Natronlösung aus. Das Mischungsverhältnis ist circa 2 Esslöffel Natron und ein Viertel Wasser.
- Reinigen Sie die Regalflächen mit einem milden Reinigungsmittel.
- Wringen Sie überschüssiges Wasser aus dem Schwamm oder Tuch aus, wenn Sie die Flächen um die Regler oder andere elektrischen Teile reinigen.
- Waschen Sie die Außenfläche des Gerätes mit warmem Wasser und einer Natronlösung ab. Wischen Sie die Mischung gut ab und trocknen Sie die Flächen mit einem sauberen, weichen Tuch ab.

➤ **Auswechseln des Aktivkohlefilters (falls in Ihrem Gerät vorhanden)**

- Die Aktivkohlefilter befinden sich in der oberen rechten Ecke jeder Kühlschrankzone.
- Öffnen Sie die Tür und nehmen Sie die oberen 2 Einlegeböden heraus (siehe Herausnehmen der Einlegeböden).
- Drehen Sie den Filter wie in Abb. A dargestellt.
- Wie in Abb. B dargestellt, sollte der Filter wie gezeigt mit den Kerben übereinstimmen.
- Ziehen Sie den Filter heraus (Abb. C).
- Setzen Sie den Ersatzfilter ein und drehen Sie ihn wie in Abb. A dargestellt, um ihn zu verriegeln.
- Setzen Sie die Einlegeböden wieder ein.



➤ **Stromausfall**

- Die meisten Stromausfälle dauern nur wenige Stunden und sollten sich somit nicht auf die Temperatur Ihres Gerätes auswirken, sofern Sie die Tür möglichst wenig öffnen. Wenn der Strom jedoch über einen längeren Zeit ausfallen sollte, dann müssen Sie den Inhalt entsprechend schützen.

➤ **Urlaubszeit**

- **Kurze Abwesenheit:** Bei weniger als drei Wochen Abwesenheit können Sie den Kühlschrank in Betrieb lassen.
- **Lange Abwesenheit:** Wenn das Gerät mehrere Monate lang nicht benutzt wird, nehmen Sie alles heraus und schalten Sie das Gerät aus. Reinigen Sie den Innenraum gründlich und trocknen Sie ihn. Lassen Sie die Tür leicht offen, um zu verhindern, dass sich Schimmel oder schlechte Gerüche bilden: blockieren Sie dazu ggf. die Tür.

➤ **Umzug Ihres Weintemperierschranks**

- Alles herausnehmen.
- Befestigen Sie alle losen Teile (Regalböden) im Inneren des Geräts mit Klebeband.
- Drehen Sie den verstellbaren Fuß ganz ein, um Beschädigungen zu vermeiden.
- Kleben Sie die Tür zu.
- Achten Sie darauf, das Gerät immer aufrecht zu transportieren. Schützen Sie auch die Außenseite des Geräts mit einer Decke oder Ähnlichem.

➤ **Energiespartipps**

- Der Weintemperierschrank sollte im kältesten Bereich des Raumes stehen, entfernt von Heizgeräten und -rohren und nicht bei direkter Sonneneinstrahlung.

PROBLEME MIT IHREM WEIN-/GETRÄNKEKÜHLSCHRANK?

Sie können viele gängige Probleme mit Wein-/Getränkekühlschränken leicht selber lösen und so die Kosten für einen möglichen Serviceeinsatz sparen. Versuchen Sie, ob Sie das Problem mithilfe der nachstehenden Empfehlungen selbst lösen können, bevor Sie einen Techniker rufen.

LEITFADEN ZUR FEHLERBEHEBUNG

STÖRUNG	MÖGLICHE URSACHE
Der Wein-/Getränkekühlschrank funktioniert nicht.	Nicht eingesteckt. Das Gerät ist ausgeschaltet. Schutzschalter ausgelöst oder durchgebrannte Sicherung.
Der Wein-/Getränkekühlschrank ist nicht kalt genug.	Überprüfen Sie die Einstellung der Temperaturregelung. Die äußere Umgebung kann eine höhere Einstellung erfordern. Tür zu häufig geöffnet. Tür nicht richtig geschlossen. Türdichtung dichtet nicht richtig.
Häufiges Ein- und Ausschalten.	Die Raumtemperatur ist höher als gewöhnlich. Es wurden viele neue Flaschen in den Wein-/Getränkekühlschrank gelegt. Tür zu häufig geöffnet. Tür nicht richtig geschlossen. Temperaturregler nicht richtig eingestellt. Türdichtung dichtet nicht richtig.
Das Licht funktioniert nicht.	Nicht eingesteckt. Schutzschalter ausgelöst oder durchgebrannte Sicherung. Die Glühbirne ist durchgebrannt. Die Lichttaste ist „OFF“ (AUS).
Vibrationen.	Vergewissern Sie sich, dass der Wein-/Getränkekühlschrank in der Waage steht.
Der Wein-/Getränkekühlschrank scheint zu viel Lärm zu machen.	Ein ratterndes Geräusch kann auf dem Kühlmittelfluss zurückzuführen sein, und das ist normal. Am Ende jedes Zyklus hören Sie ggf. gurgelnde Geräusche, die auf den Kühlmittelfluss im Gerät zurückzuführen sind. Die Innenwände ziehen sich zusammen und dehnen sich aus, das kann knallende oder reiße Geräusche nach sich ziehen. Der Wein-/Getränkekühlschrank ist nicht in der Waage.
Die Tür schließt nicht richtig.	Der Wein-/Getränkekühlschrank ist nicht in der Waage. Die Tür wurde versetzt, jedoch nicht richtig montiert. Die Dichtung ist verschmutzt. Die Regale sind nicht richtig positioniert.

Um den technischen Kundendienst zu kontaktieren, besuchen Sie unsere Website:

<https://corporate.haier-europe.com/en/>

Wählen Sie im Abschnitt „Website“ die Marke Ihres Produkts und Ihr Land aus. Sie werden auf die entsprechende Website weitergeleitet, auf der Sie die Telefonnummer und das Formular zur Kontaktaufnahme mit dem technischen Kundendienst finden.

➤ **Verfügbarkeit von Ersatzteilen**

- Thermostate, Temperatursensoren, Leiterplatten und Leuchtmittel sind für einen Zeitraum von mindestens sieben Jahren nach Inverkehrbringen des letzten Gerätes des Modells erhältlich.
- Türgriffe, Türscharniere, Auszüge und Schubladen für eine Mindestdauer von sieben Jahren und Türdichtungen für eine Mindestdauer von 10 Jahren, nachdem das letzte Gerät des Modells in Verkehr gebracht wurde.

Empfohlene TEMPERATUREINSTELLUNGEN

Für die Lagerung ALLER ARTEN von Weinen **12°C bis 14°C**

Empfohlene Trinktemperatur

Champagner NV, Schaumwein	6°C
Champagner Jahrgang	10°C
Trockener weißer Semillon, Sauvignon Blanc	8°C
Trockener weißer Gewürztraminer, Riesling	10°C
Weißer Chardonnay trocken	10°C
Chardonnay Jahrgangsw Wein	14°C
Süßer weißer Sauternes Monbazillac, Spätlese-Eiswein	10°C
Süße Weißweine Jahrgang Sauternes	14°C
Beaujolais	13°C
Roter Pinot Noir	16°C
Weinlese Pinot Noir rot	18°C
Roter Cabernet, Merlot, Französisch, Australisch, Neuseeländisch, Chilenisch, Argentinisch, Italienisch, Spanisch, Kalifornisch	18°C
Grenache rot, Syrah	16°C

Weitere Informationen zum Produkt finden Sie unter <https://eprel.ec.europa.eu/> oder scannen Sie den QR-Code auf dem Energielabel, das dem Gerät beiliegt.

