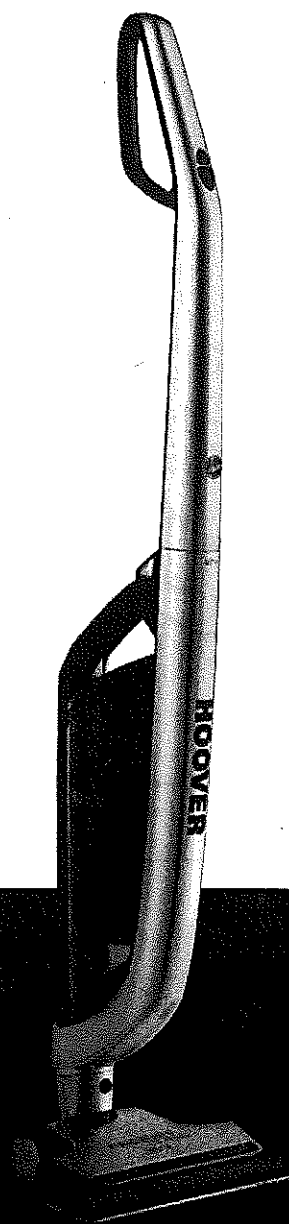


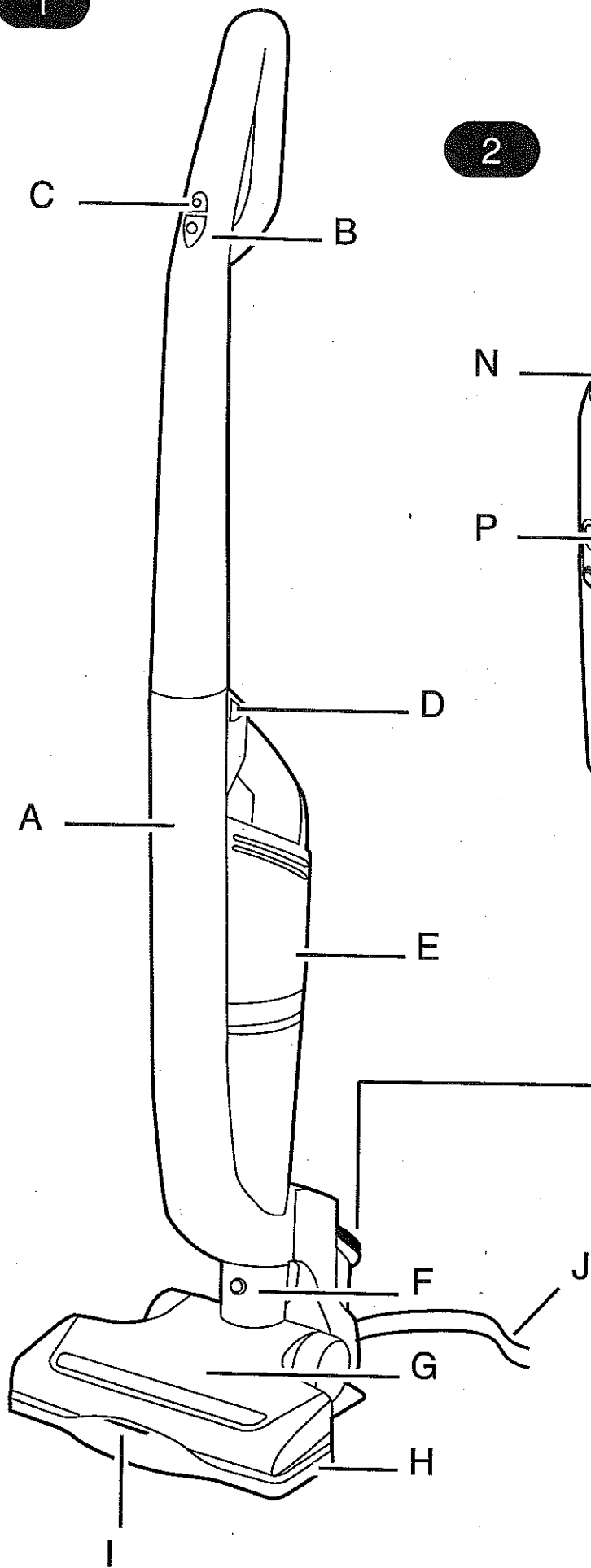
HOOVER

FREEJET 3in1

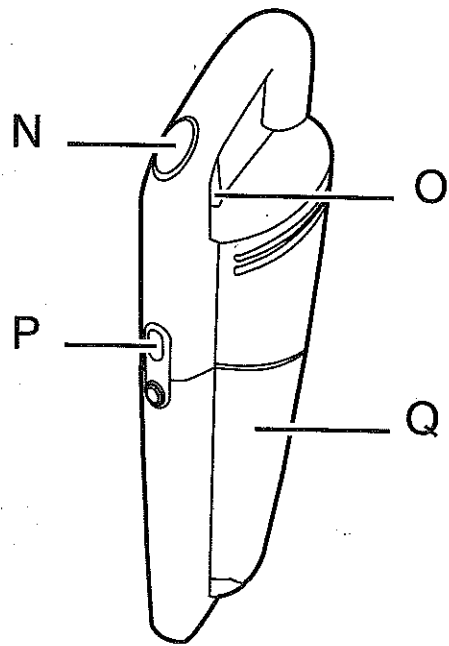


GENERATION FUTURE

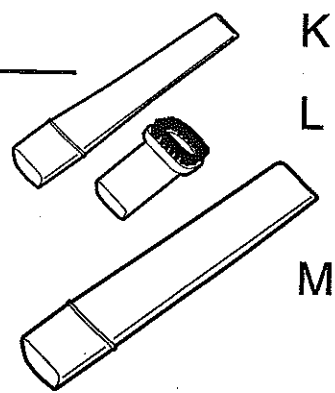
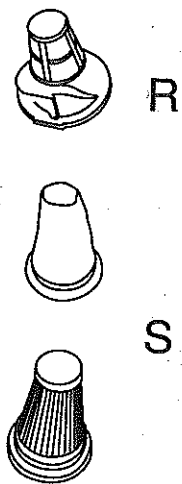
1

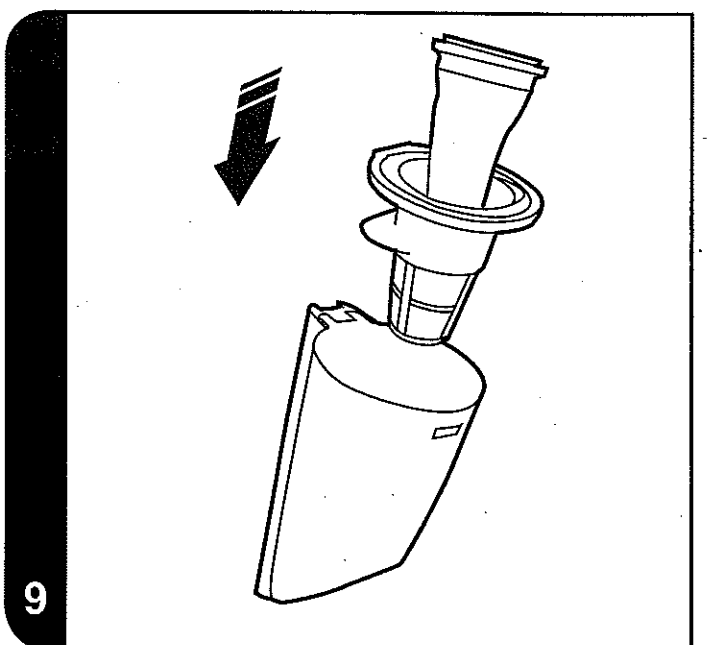
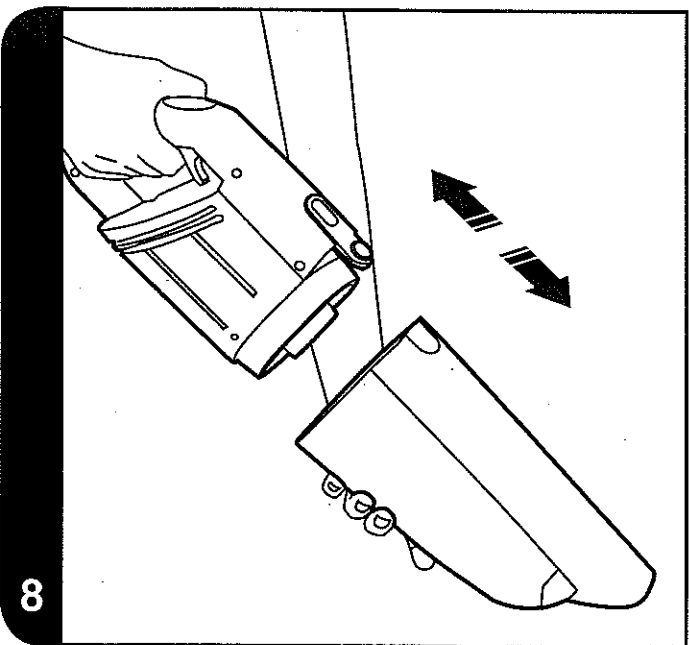
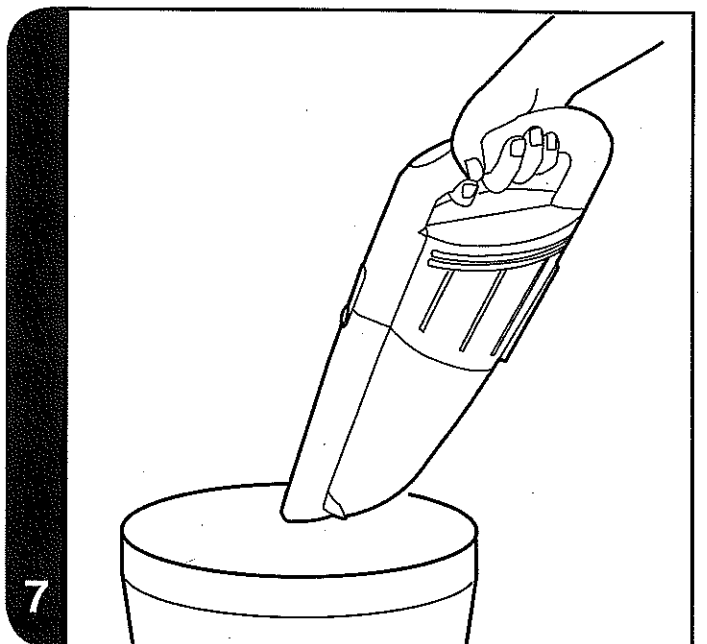
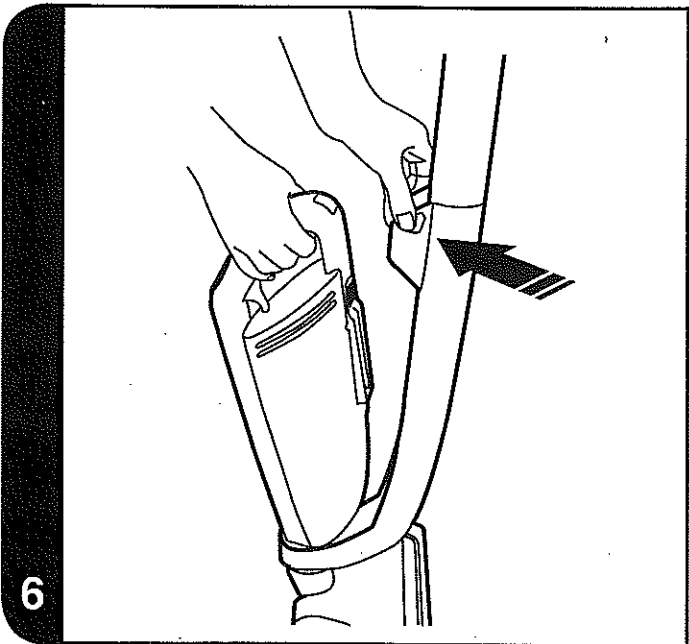
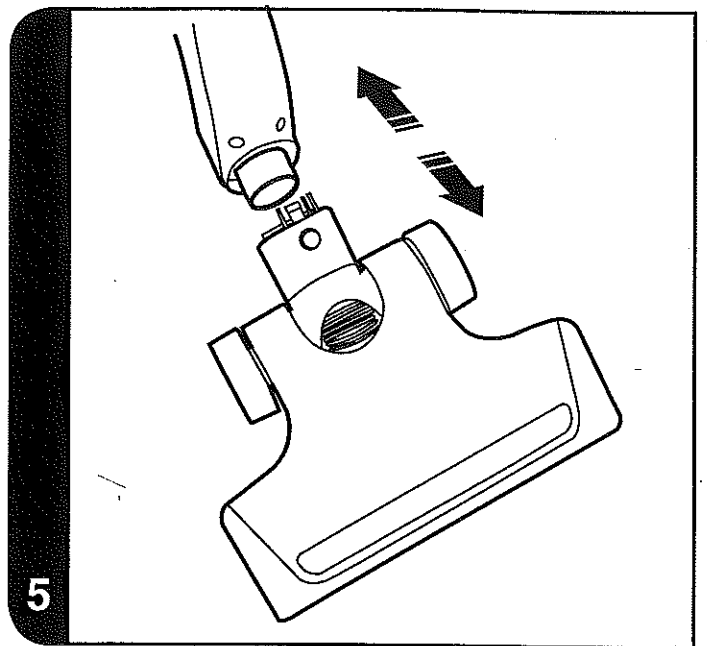
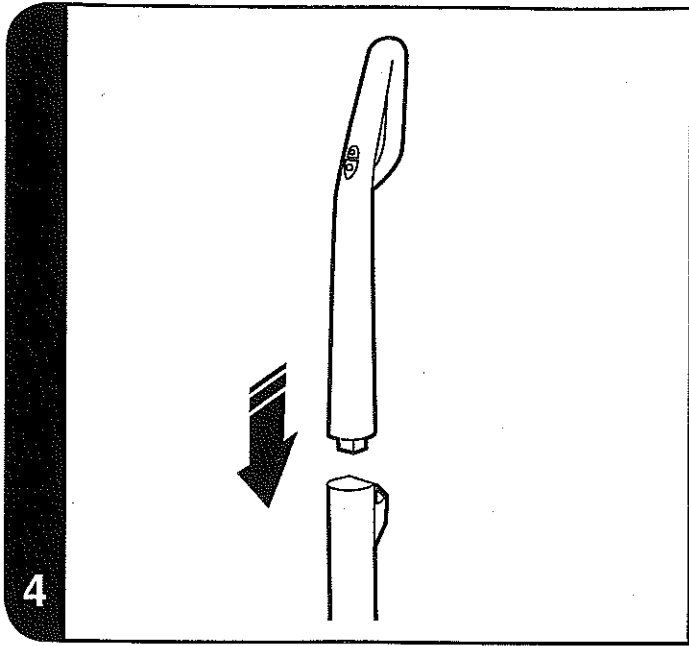


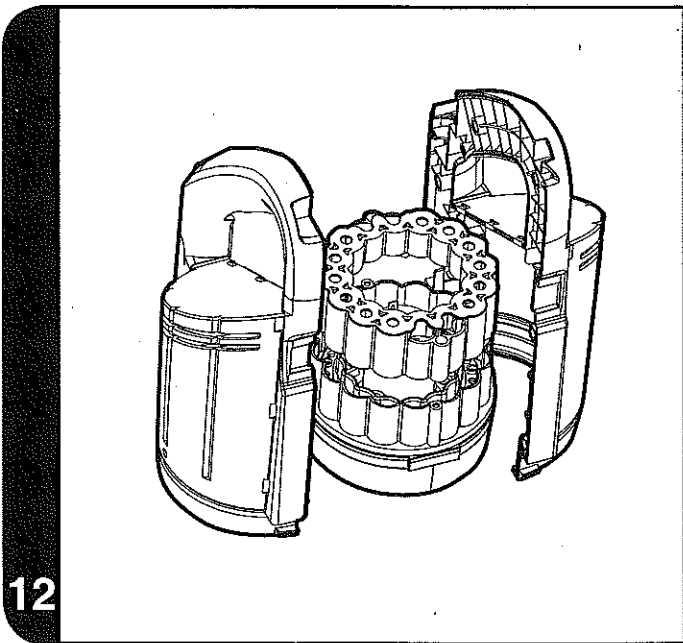
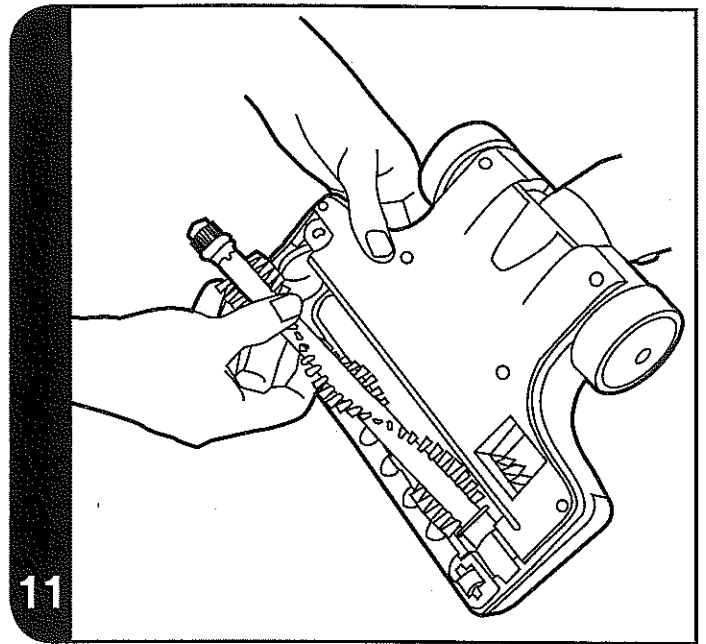
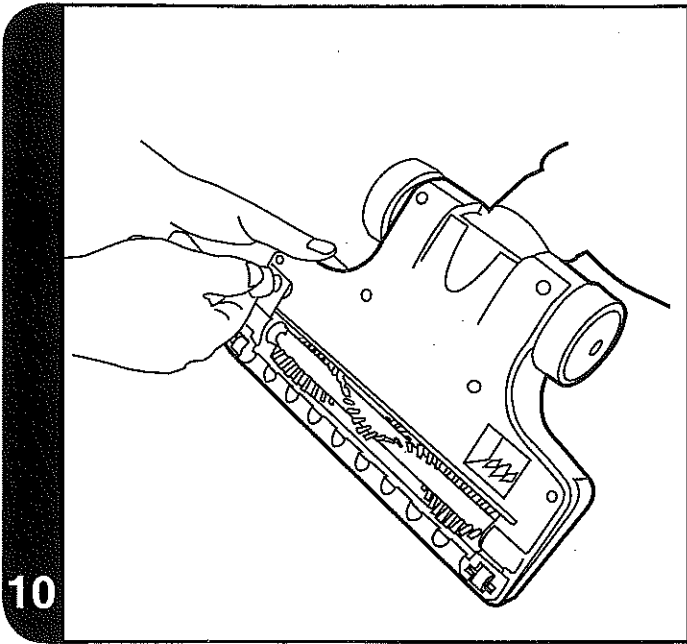
2



3







IMPORTANT INFORMATION

This cleaner should only be used for domestic cleaning, as described in this user guide. Please ensure that this guide is fully understood before operating the appliance. Use only attachments recommended or supplied by Hoover. The charger base is double insulated and must not be earthed.

Electrical Requirements

This Hoover appliance is supplied with a double insulated battery charger which is only suitable for insertion in a 230V (UK 240V) socket outlet. Ensure that the charger rating label matches your voltage supply.

SAFETY REMINDERS

- DO NOT let children play with the appliance or its controls. Please supervise the use of the appliance by older children, the elderly or the infirm.
- DO NOT use your cleaner outdoors, on wet surfaces or for wet pickup.
- DO NOT pick up hard or sharp objects, matches, hot ashes, cigarette ends or other similar items.
- DO NOT spray with, or pick up flammable liquids such as cleaning fluids, petrol, etc, or their vapours, as they may cause an explosion or fire.
- DO NOT replace the NiMH batteries with non rechargeable batteries.
- DO frequently clean the dust cup and filter assembly.
- DO return the appliance to the charger base after use to recharge the batteries. Occasionally fully discharge the batteries to obtain the maximum battery life.

HOOVER SERVICE: To ensure the continued safe and efficient operation of this appliance we recommend that any servicing or repairs are only carried out by an authorised Hoover service engineer.

PRODUCT COMPONENTS

1 - Main Cleaner	2 - Handheld cleaner	3 - Filters
A. Main Body	N. On/Off Switch	R. Filter Screen
B. On/Off Switch	O. Bin Empty Trigger	S. Filter
C. On/Off Turbo Switch	P. Filter Access Button	
D. Push and Go Release button	Q. Dust Container	
E. Handheld Cleaning Unit		
F. Nozzle release Button		
G. Carpet and Floor Nozzle		
H. Charger		
I. Charger Indicator		
J. Power Cord		
K. Crevice Tool		
L. Dusting Brush		
M. Rigid extension tube		

PREPARING YOU CLEANER

1. Line up the handle to the main body of the cleaner and push into the main body until it locks in place. [4]
2. Line up the nozzle with the main body and firmly push into the main Body until the nozzle locks into place. [5]
3. Assemble the handheld unit [2] to the main body.
4. Place the cleaner on the charger. For first use, charge your cleaner for 24 hours.
5. The indicator light will illuminate when charging.

Note: To remove the nozzle press the nozzle release button and pull away from the main body.

Note: Use only the charger supplied with your cleaner to recharge.

Important: When charging the cleaner the On/Off switch must be OFF.

Keep the charger plugged into the socket at all times. It is normal for the charger to become warm to the touch when charging.

If the operating times reduces after repeated use let the cleaner run until it stops then recharge for 24 hours, repeat this monthly for best results.

USING YOUR CLEANER

Main cleaner

1. Turn the cleaner on by pressing the On/Off button. [1B]
2. Set the On/Off Turbo switch to the desired cleaning mode. [1C]
CARPET: Switch Turbo Nozzle ON (LED will be ON.)
HARD FLOOR: Switch Turbo Nozzle OFF (LED will be OFF.)

Handheld Cleaner

1. Press the Push and Go button and lift the handheld unit from the cleaner main body. [6]
2. Turn the handheld cleaner on by pressing the On/Off button. [2M]

ACCESSORIES

Rigid Extension tube, Crevice Tool and Dusting brush

All accessories are stored at the rear of the charger. All fit directly onto the handheld unit.

CLEANER MAINTENANCE

Emptying the Dust Container

Hold the unit over a bin and pull the bin empty trigger [2N] to instantly empty the dust container. [7]

Cleaning the Filters

1. Release the handheld unit from the main body of the cleaner.
2. Press the filter access button [20] and remove the handle section from the dust container. [8]
3. Use the filter handle to remove the filter and filter screen from the dust container. [9]
4. Wash the filter and screen in hand warm water. Once thoroughly dry return to the dust container.
5. Reassemble the handheld unit and return to the cleaner main body.

Note: Do not use hot water or detergents when cleaning the filters. In the unlikely event of the filters becoming damaged, fit a genuine Hoover replacement. Do not try and use the product without a filter fitted.

Changing the Agitator

1. Using a coin turn the lock to the open position. [10]
2. Remove the agitator retainer.
3. Unloop the belt and lift the agitator out of the cleaner. [11]
4. Loop the belt around the new agitator and return to its original position. Replace the agitator retainer and lock in place.

End of Product Life Battery Disposal

If the cleaner is to be disposed of the batteries should be removed. Used batteries should be taken to a recycling station and not disposed with household waste.

IMPORTANT: Always fully discharge the batteries before removal.

1. Run the unit until the batteries run flat.
2. Release the handheld unit from the main body of the cleaner.
3. Press the filter access button and remove the handle section from the dust container.
4. Remove 6 screws and open the unit. [12]
5. Remove the motor/battery housing and disconnect the cables.
6. Remove the batteries from the housing.

Note: Should you experience any difficulties in dismantling the unit or for more detailed information about treatment, recovery and recycling of this product, please contact your local city office, your household waste disposal service.

HOOVER SPARES AND CONSUMABLES

Always replace parts with genuine Hoover spares. These are available from your local Hoover dealer or direct from Hoover. When ordering parts always quote your model number.

- Pre motor Hepa Filter - S93 – 35600860
- Agitator - Y24 - 35600861

Quality, Safety and the Environment

Safety

Although safety certification of electrical appliances is not required by law in the UK, Hoover believe that independent approval is the best way of demonstrating safety in design and manufacture. The British Electrotechnical Approvals Board (BEAB), the independent UK national authority for the safety of domestic electrical appliances, ensures that European safety standards are met and maintained throughout the production life of an appliance. All appliances that pass the requirements are permitted to carry the BEAB mark of safety.

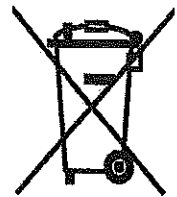
Quality

BSI ISO 9001

Hoover's factories have been independently assessed for quality. Our products are made using a quality system which meets the requirements of ISO 9001

The Environment:

This appliance is marked according to the European directive 2002/96/EC on Waste Electrical and Electronic Equipment (WEEE). By ensuring this product is disposed of correctly, you will help prevent potential negative consequences for the environment and human health, which could otherwise be caused by inappropriate waste handling of this product. The symbol on the product indicates that this product may not be treated as household waste. Instead it shall be handed over to the applicable collection point for the recycling of electrical and electronic equipment. Disposal must be carried out in accordance with local environmental regulations for waste disposal. For more detailed information about treatment, recovery and recycling of this product, please contact your local city office, your household waste disposal service or the shop where you purchased the product.



YOUR GUARANTEE

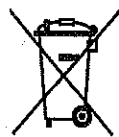
The guarantee conditions for this appliance are as defined by our representative in the country in which it is sold. Details regarding these conditions can be obtained from the dealer from whom the appliance was purchased. The bill of sale or receipt must be produced when making any claim under the terms of this guarantee.

Subject to change without notice.

* Features vary according to model

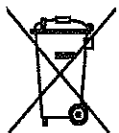


GB



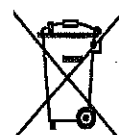
This appliance is marked according to the European directive 2002/96/EC on Waste Electrical and Electronic Equipment (WEEE). By ensuring this product is disposed of correctly, you will help prevent potential negative consequences for the environment and human health, which could otherwise be caused by inappropriate waste handling of this product. The symbol on the product indicates that this product may not be treated as household waste. Instead it shall be handed over to the applicable collection point for the recycling of electrical and electronic equipment. Disposal must be carried out in accordance with local environmental regulations for waste disposal. For more detailed information about treatment, recovery and recycling of this product, please contact your local city office, your household waste disposal service or the shop where you purchased the product.

DE



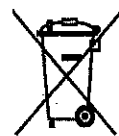
Dieses Elektrohaushaltsgerät ist entsprechend der EU-Richtlinie 2002/96/CE über Elektro- und Elektronik-Altgeräte (WEEE) gekennzeichnet. Bitte sorgen Sie dafür, dass das Gerät ordnungsgemäß entsorgt wird, damit mögliche negative Auswirkungen auf Umwelt und Gesundheit vermieden werden, die bei einer unsachgemäßen Entsorgung des Altgerätes entstehen könnten. Das Symbol auf dem Produkt bedeutet, dass dieses Gerät nicht in den normalen Hausmüll gehört, sondern den jeweiligen kommunalen Rücknahmesystemen für Elektro- und Elektronik-Altgeräte übergeben werden muss. Die Entsorgung muss im Einklang mit den geltenden Umweltrichtlinien für die Abfallentsorgung erfolgen. Für nähere Informationen über Entsorgung und Recycling dieses Produktes wenden Sie sich bitte an Ihre kommunalen Einrichtungen (Umweltamt), an die Abfallentsorgungsgesellschaft Ihrer Stadt oder an Ihren Händler.

FR



Cet appareil est commercialisé en accord avec la directive européenne 2002/96/CE sur les déchets des équipements électriques et électroniques (DEEE). En vous assurant que ce produit est correctement recyclé, vous participez à la prévention des conséquences négatives sur l'environnement et la santé publique qui pourraient être causées par une mise au rebut inappropriée de ce produit. Le symbole sur ce produit indique qu'il ne doit pas être traité comme un déchet ménager. Il doit être rapporté jusqu'à un point de recyclage des déchets électriques et électroniques. La collecte de ce produit doit se faire en accord avec les réglementations environnementales concernant la mise au rebut de ce type de déchets. Pour plus d'information au sujet du traitement, de la collecte et du recyclage de ce produit, merci de contacter votre mairie, votre centre de traitement des déchets ou le magasin où vous avez acheté ce produit.

IT



Questo elettrodomestico è marcato conformemente alla Direttiva Europea 2002/96/CE sui rifiuti da apparecchiature elettriche ed elettroniche (WEEE). Assicurandovi che questo prodotto sia smaltito correttamente, aiuterete ad evitare possibili conseguenze negative all'ambiente e alla salute delle persone, che potrebbero verificarsi a causa d'un errato trattamento di questo prodotto giunto a fine vita. Il simbolo sul prodotto indica che questo apparecchio non può essere trattato come un normale rifiuto domestico; dovrà invece essere consegnato al punto più vicino di raccolta per il riciclo delle apparecchiature elettriche ed elettroniche. Lo smaltimento deve essere effettuato in accordo con le regole ambientali vigenti per lo smaltimento dei rifiuti. Per informazioni più dettagliate sul trattamento, recupero e riciclo di questo prodotto, per favore contattare l'ufficio pubblico di competenza (del dipartimento ecologia e ambiente), o il vostro servizio di raccolta rifiuti a domicilio, o il negozio dove avete acquistato il prodotto.