



GENERATION FUTURE

HOOVER

sprint[®] EVO

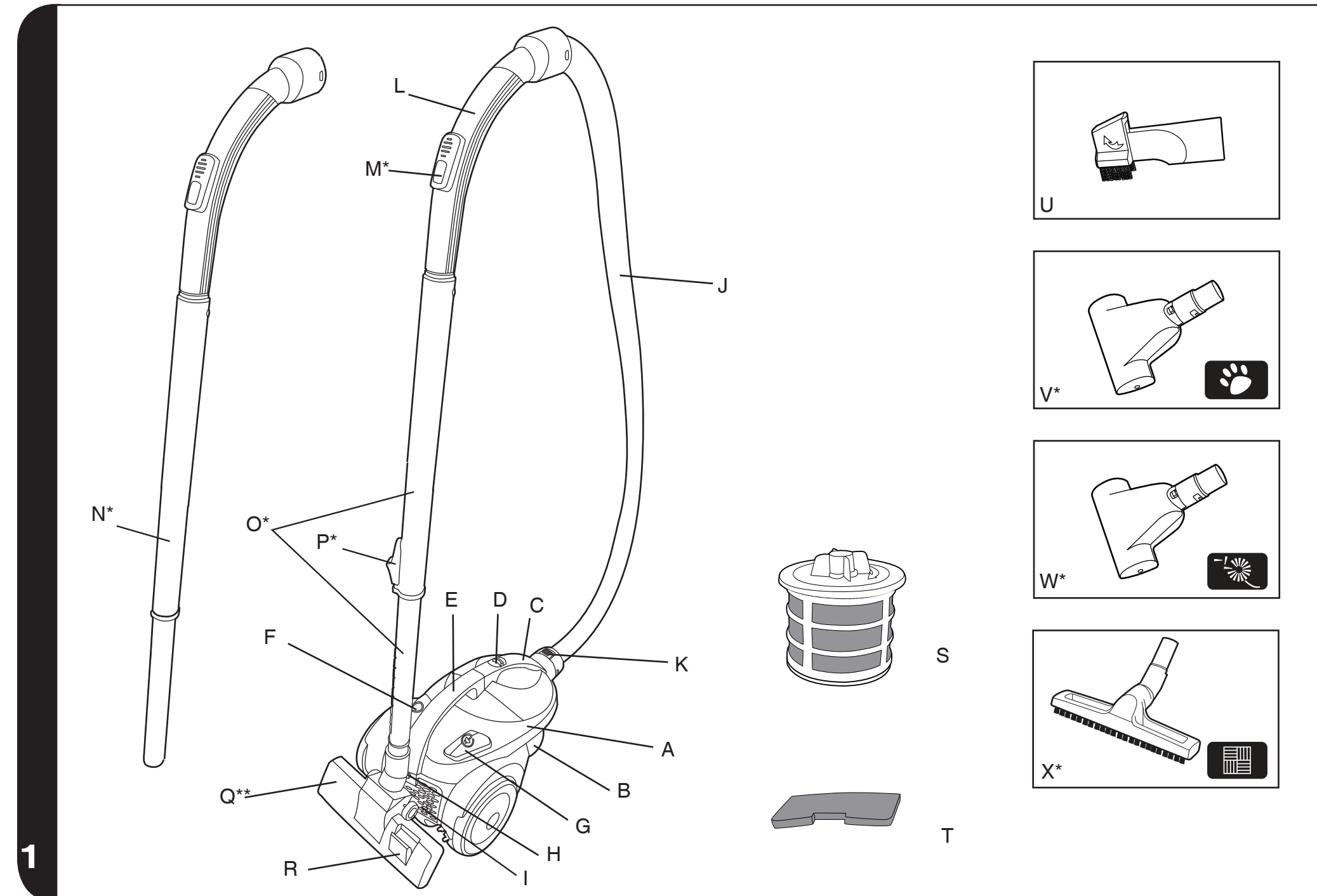
INSTRUCTION MANUAL
ENGLISH GB



PRINTED IN P.R.C.
48007324

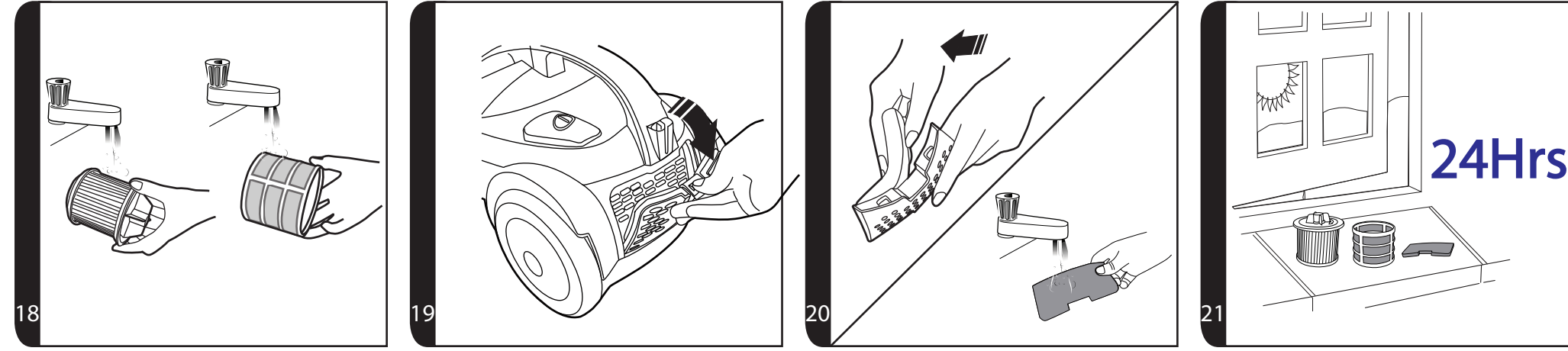
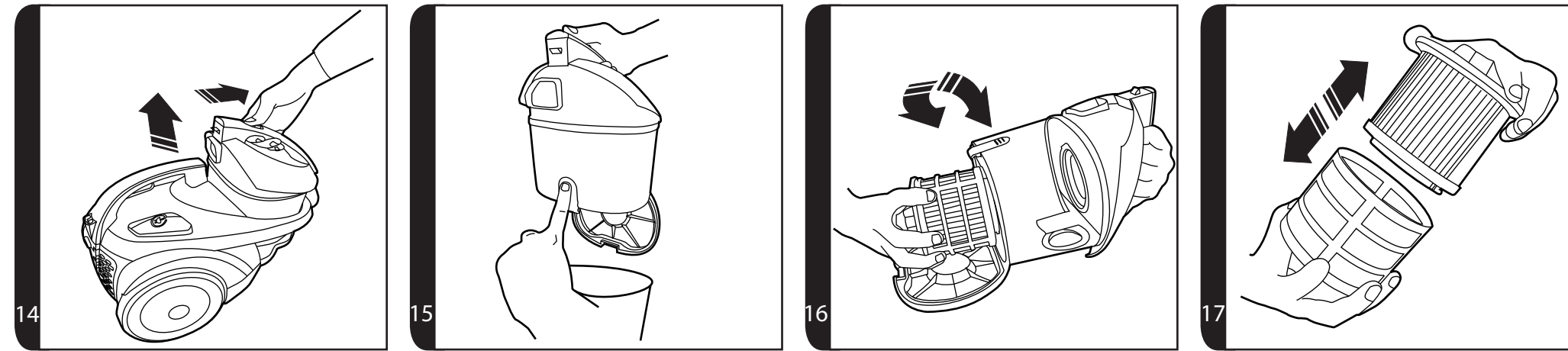
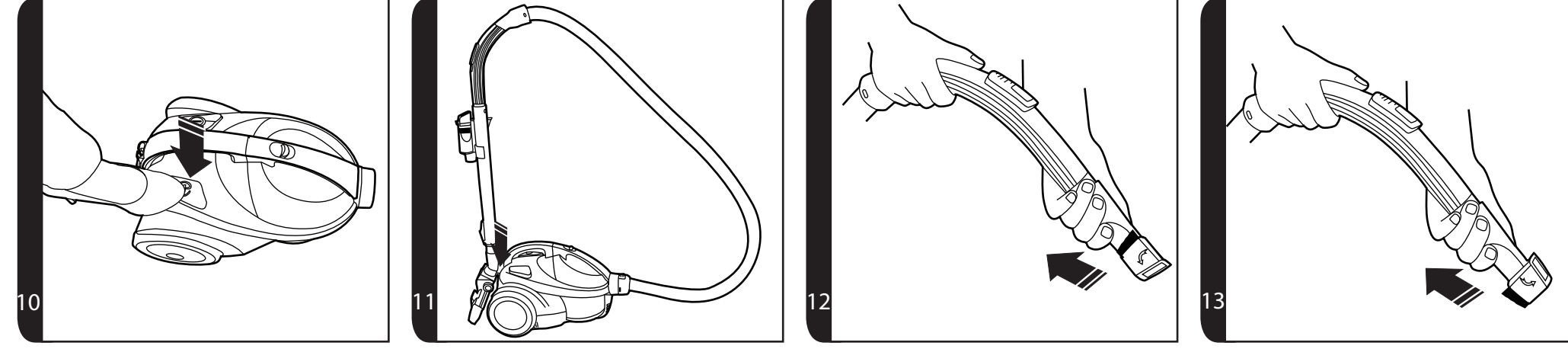
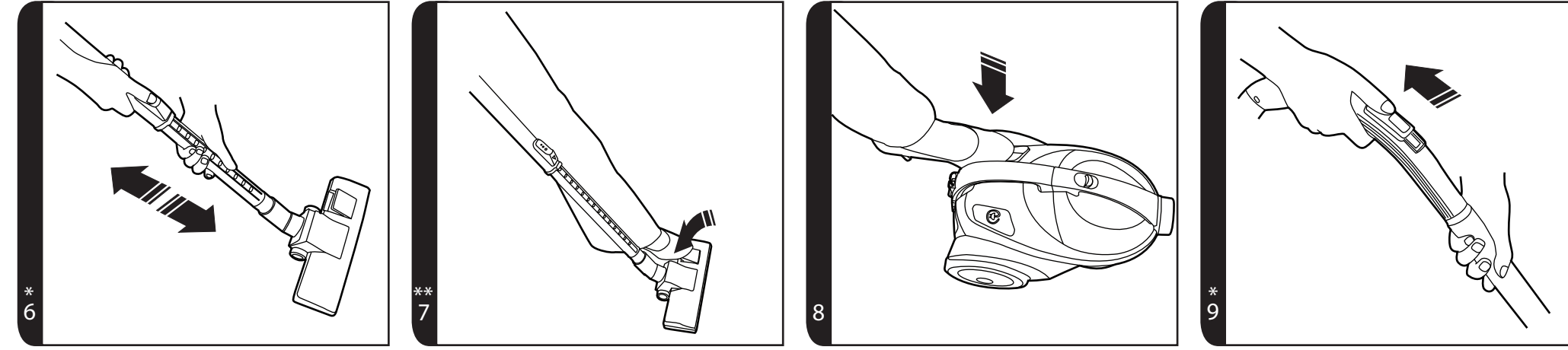
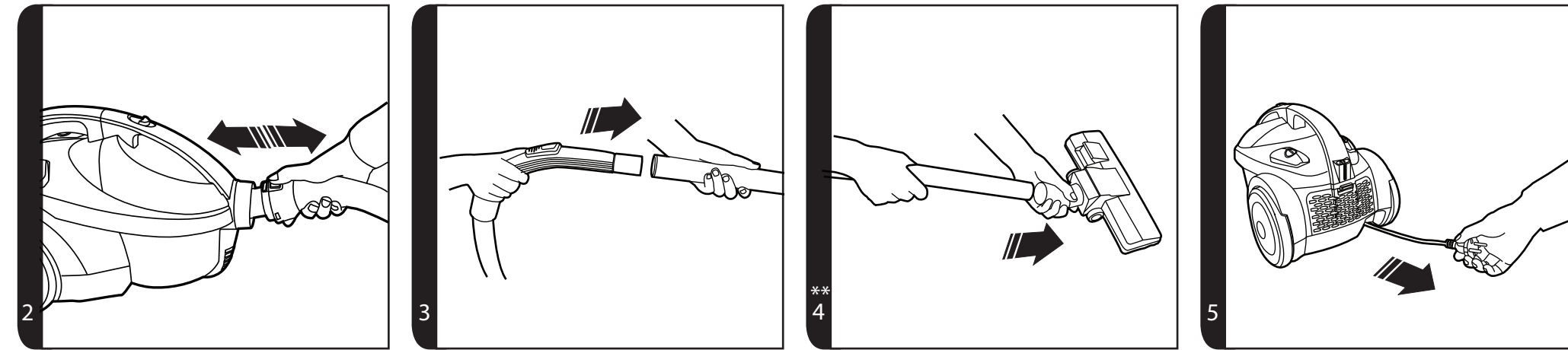


GENERATION FUTURE



1

* Certain models only ** May vary depending on model



* Certain models only ** May vary depending on model





IMPORTANT SAFETY REMINDERS

This cleaner should only be used for domestic cleaning, as described in this user guide. Please ensure that this guide is fully understood before operating the appliance. Use only attachments recommended or supplied by Hoover.

WARNING: Electricity can be extremely dangerous. This appliance is double insulated and must not be earthed. This plug is fitted with a 13Amp fuse (UK only).

IMPORTANT: The wires in the mains power lead are coloured in accordance with the following code: **Blue – Neutral Brown – Live**

STATIC ELECTRICITY: Some carpets can cause a small build up of static electricity. Any static discharge is not hazardous to health.

AFTER USE: Switch the cleaner off and remove the plug from the electricity supply. Always switch off and remove the plug before cleaning the appliance or attempting any maintenance task.

SAFETY WITH CHILDREN, ELDERLY OR THE INFIRM:

This appliance can be used by children aged from 8 years and above and persons with reduced physical, sensory or mental capabilities or lack of experience and knowledge if they have been given supervision or instruction concerning use of the appliance in a safe way and understand the hazards involved. Children shall not play with the appliance. Cleaning and user maintenance shall not be made by children without supervision.

HOOVER SERVICE: To ensure the continued safe and efficient operation of this appliance we recommend that any servicing or repairs are only carried out by an authorised Hoover service engineer.

IT IS IMPORTANT THAT YOU DO NOT:

- Position the cleaner above you when cleaning the stairs.
- Use your cleaner out of doors or on any wet surface or for wet pick up.
- Pick up hard or sharp objects, matches, hot ashes, cigarette ends or other similar items.
- Spray with or pick up flammable liquids, cleaning fluids, aerosols or their vapours as this may cause risk of fire / explosion.
- Run over the supply cord when using your cleaner or remove the plug by pulling on the supply cord.
- Stand on or wrap the power cord around arms or legs when using the cleaner.
- Use the appliance to clean people or animals.
- Continue to use your cleaner if it appears to be faulty. If the supply cord is damaged stop using the cleaner IMMEDIATELY. To avoid a safety hazard, an authorised Hoover service engineer must replace the supply cord.

GETTING TO KNOW YOUR CLEANER

- A. Cleaner main body
- B. Dust Container
- C. Dust Container Handle
- D. Dust Container Release Button
- E. Cleaner Handle
- F. On/Off Button
- G. Cord Rewind Button
- H. Nozzle Parking Slot
- I. Exhaust Filter Cover
- J. Hose
- K. Hose Release Button
- L. Hose Handle
- M. Suction Regulator*
- N. Standard Tube*
- O. Telescopic Tube*
- P. Telescopic Tube Adjuster*
- Q. Carpet & Floor Nozzle**
- R. Floor Type Selector Pedal
- S. Pre-motor Filter and Protective Mesh
- T. Exhaust Filter
- U. Accessories Holder
- V. 2 in 1 Tool (Crevice Tool/Dusting Brush)
- W. Pet Hair Remover Mini Turbo Nozzle*
- X. Allergen Remover Mini Turbo Nozzle*
- Y. Hard Floor Nozzle*

ASSEMBLING YOUR CLEANER

Remove all components from the packaging.

1. Connect the hose to the cleaner main body, ensuring it clips and locks into position.
2. To release the hose: simply press the two hose release buttons on the hose end and pull it out. **[2]**
3. Connect the hose handle to the telescopic tube* upper end. **[3]**
4. Connect the telescopic tube* lower end to the carpet and floor nozzle**. **[4]**

*Certain Models Only

** May vary depending on model



USING YOUR CLEANER

1. Extract power cord and plug it into the power supply. Do not pull the cord beyond the red marker. [5]
2. Adjust the telescopic tube* to the desired height by moving the telescopic tube adjuster up and raise or lower the hose handle to the most comfortable cleaning position. [6]
3. Select the type of surface to be cleaned by pressing the pedal in the nozzle. [7]
 - Hard Floor** – Brushes are lowered to protect the floor.
 - Carpet** – Brushes are raised for the deepest clean.
4. Switch the cleaner on by sliding the On-Off control to the ON position. [8]
5. Vary the suction as desired by closing or opening the suction regulator* on the hose handle. [9]
6. Switch off at the end of use by pressing the On/Off button. [8] Unplug and press the cord rewind button to wind the power cord back into the cleaner. [10]
7. To store your cleaner, park the nozzle in the parking slot at the rear of the cleaner main body. [11]

ACCESSORIES

All accessories can be fitted to the hose handle or the end of the tubes.

2 in 1 Tool combines several functions into one tool:

Crevice Tool – For corners and hard to reach areas. [12]

Dusting Brush – For bookshelves, frames, keyboards and other delicate areas. [13]

Pet Hair Remover Mini Turbo Nozzle* - Use the mini turbo nozzle on stairs or for deep cleaning on textile surfaces and other hard to clean areas. Particularly suitable for pet hairs removal. [1X]

Allergen Remover Mini Turbo Nozzle* – Use the mini turbo nozzle on stairs or for deep cleaning on textile surfaces and other hard to clean areas. Particularly suitable for allergen removal. [1Y]

Hard Floor Nozzle* – For parquet floors and other delicate floors. [1Z]

IMPORTANT: Do not use the Mini Turbo Nozzles on rugs with long fringes, animal hides and carpet pile deeper than 15mm. Do not keep the nozzle stationary while the brush is rotating.

CLEANER MAINTENANCE

Emptying the Dust Container

When the dust reaches the max level indicator on the container, empty the dust container. **IMPORTANT:** To maintain optimum performance, do not allow the dust to sit higher than the max level.

1. Release the dust container by sliding the dust container release button towards the front of the cleaner. Lift the dust container from the cleaner main body. [14]
2. Before emptying the Dust Container, gently tap it against the side of a bin to release any excess dust from the filter.
3. To empty the Dust Container, hold the Dust Container over a bin with one hand and use the other hand to press the Dust Container Flap Opening Button to release the dust into the bin. [15]
4. Close the Dust Container Flap and refit the Dust Container to the cleaner main body.

Cleaning the washable filters

The cleaner is fitted with a pre-motor and exhaust filter. To maintain optimum cleaning performance, regularly clean the filters. Remove excess dust from the filters by gently tapping them against the side of a bin. The filters should be washed after every 5 container empties.

IMPORTANT: All bagless cleaners require regular filter cleaning. Failure to clean your filters may result in air blockage, overheating and product failure. This may invalidate your guarantee.

To access the Pre-Motor filter:

1. Empty the Dust Container as described in 'Emptying the Dust Container'. Then, keeping the Dust Container Flap open:
2. Remove the pre-motor filter by rotating it clockwise at the bottom of the Dust Container. [16]
3. Separate the protective mesh from the filter. [17] Gently tap both the protective mesh and the filter against the side of a bin to remove excess dust and wash both of them under warm water. [18] Do not use hot water or detergents.
4. Remove excess water from the filter and leave it to dry fully before reusing. [21]
5. Once the filter is fully dry, reassemble the filter pack (protective mesh and filter) and refit to cleaner.

IMPORTANT: Do not use the product without the pre-motor filter pack fitted.

IMPORTANT: Always ensure the filter packs are fully dry before use.

*Certain Models Only

** May vary depending on model

**To access the exhaust filter:**

1. Unclip the exhaust grid from the rear of the cleaner. [19]
2. Separate the filter from the grid and wash the filter under warm water. [20] Do not use hot water or detergents.
3. Remove excess water from the filter and leave to dry fully before reusing. [21]
4. Remount the filter into the grid and refit it to the cleaner.

REMEMBER: Do not use hot water or detergents. In the unlikely event of the filters becoming damaged, fit a Genuine Hoover consumable. Do not try and use the product without a filter fitted.

Removing a blockage

1. Check if the dust container is full. If so refer to 'Emptying the Dust Container'.
2. If the dust container is empty but suction is still low:
 - A. Do the filters need cleaning? If so refer to 'Cleaning the Washable Filters'.
 - B. Check if there is any other blockage in the system - Use a rod or pole to remove any blockage from the extension tube or flexible hose.
 - C. Check if pre-motor filter is fitted and filter door is closed

Warning (Certain models only*) - If the cleaner is used for a significant period of time with a blockage, a thermal cut out will switch the cleaner off to prevent overheating. The bag check indicator turn green once the cleaner has switched off to signal that the thermal cut out has been activated. If this should happen, switch the cleaner off, unplug and correct the fault. It will take about 45 minutes for the cut out to automatically reset.

USER CHECKLIST

Should you have a problem with the product, complete this simple user checklist before calling your local Hoover service.

- Is there a working electricity supply to the cleaner? Please check with another electrical appliance.
- Is the dust container over-filled? Please refer to 'Cleaner Maintenance'.
- Is the filter blocked? Please refer to 'Cleaner Maintenance'.
- Is the hose or nozzle blocked? Please refer to 'Removing a blockage' from the system.
- Has the cleaner overheated? If so, it will take approximately 30 minutes to automatically reset.

IMPORTANT INFORMATION**Hoover spares and Consumables**

Always replace parts with genuine Hoover spares. These are available from your local Hoover dealer or direct from Hoover. When ordering parts always quote your model number.

Consumables:

- Filter kit: U62,35601328
(Hepa pre-motor filter+ protective mesh and exhaust filter)

Spares:

- Complete Flexible hose: D108,35601329
- Carpet & Floor nozzle: G82,35600417
- Mini Turbo nozzle: J20, 09200356
- Hard Floor nozzle: G87PC, 35600655

Hoover Customer Helpline Service

Should any faults occur with your cleaner during the first 12 months contact the Hoover Customer Helpline on the number below.

Tel: 08444 995 599

Email: customer.services@hoovercandy.com

Hoover have a computerised nationwide service network of over 500 engineers who will quickly respond to your call and guarantee your repair for 12 months.

Quality, Safety and the Environment**Safety**

Although safety certification of electrical appliances is not required by law in the UK, Hoover believe that independent approval is the best way of demonstrating safety in design and manufacture. The British Electrotechnical Approvals Board (BEAB), the independent UK national authority for the safety of domestic electrical appliances, ensures that European safety standards are met and maintained throughout the production life of an appliance. All appliances that pass the requirements are permitted to carry the BEAB mark of safety.

Quality

BSI ISO 9001

Hoover's factories have been independently assessed for quality. Our products are made using a quality system which meets the requirements of ISO 9001

*Certain Models Only

** May vary depending on model



GB

The Environment:

This appliance is marked according to the European Directive 2011/65/EC on Waste Electrical and Electronic Equipment (WEEE).



By ensuring this product is disposed of correctly you will help prevent potential negative consequences for the environment and human health, which could otherwise be caused by inappropriate waste handling of this product.

The symbol on the product indicates that this product may not be treated as household waste. Instead it shall be handed over to the appliance collection point for recycling of electrical and electronic equipment.

Disposal must be carried out in accordance with the local environmental regulations for waste disposal.

For more detailed information about treatment, recovery and recycling of this product, please contact your local city office, your household waste disposal service or the shop where you purchased the product.

 This product complies with the European Directives 2006/95/EC, 2004/108/EC and 2011/65/EC.

Hoover Limited Pentrebach, Merthyr Tydfil, Mid Glamorgan CF48 4TU

Your Guarantee

The guarantee conditions for this appliance are as defined by our representative in the country in which it is sold. Details regarding these conditions can be obtained from the dealer from whom the appliance was purchased. The bill of sale or receipt must be produced when making any claim under the terms of this guarantee.

Subject to change without notice.