



GENERATION FUTURE

# FREEJET



|                   |       |       |
|-------------------|-------|-------|
| ENGLISH           | GB    | 6-7   |
| FRANÇAIS          | FR    | 8-9   |
| ITALIANO          | IT    | 10-11 |
| DEUTSCH           | DE    | 12-13 |
| PORTUGUÊS         | PT    | 14-15 |
| ESPAÑOL           | ES    | 16-17 |
| VLAAMS/NEDERLANDS | BE/NL | 18-19 |
| POLSKI            | PL    | 20-21 |
| Русский           | RU    | 22-22 |
| عربي              | AR    | 24-25 |
| Ελληνικά          | GR    | 26-27 |
| SLOVENSKI         | SI    | 28-29 |
| DANSK             | DK    | 30-31 |
| SUOMI             | FI    | 32-33 |
| SVENSKA           | SE    | 34-35 |
| Česky             | CZ    | 36-37 |
| HRVATSKI          | HR    | 38-39 |

## USER INSTRUCTIONS

For information about this product, please contact one of the following Hoover subsidiaries

#### UK

HOOVER LTD Pentrebach, Merthyr Tydfil, Mid Glamorgan CF48 4TU  
Gias Customer Service 08705 400600  
Hoover Spares 01204 556111

#### ESPAÑA

Candy Hoover Electrodomesticos S.A  
Ahumategui Bide s/n  
20570 Bergara (Guipúzcoa)  
Gias Customer Service (Servicio De Asistencia Técnica) 902 100 150

#### PORTUGAL

Candy Hoover Portugal, Lda.  
Rua D. Estefânia 90A  
1049-050 Lisboa  
Tel: 021-318 97 00  
Tel: 021 318 97 67

#### ITALIA

Zerowatt . Hoover S.p.A.  
Sede commerciale: via Privata E.Fumagalli,  
20047 Brugherio (Mi)  
Tel +39 039 208655  
servizioclienti@hoover.it  
Gias Customer Service (Italia) 039 2086811

#### DEUTSCHLAND

Candy Hoover GmbH  
Kaiserswerther Str. 83  
D-40878 Ratingen  
www.candy-hoover.de

Kundendienst  
(Gias Customer Service Deutschland)  
01805/ 62 55 62  
(12 Cent/min)

#### ÖSTERREICH

Candy Hoover Austria GmbH  
Mariahilferstrasse 176  
A-1150 Wien  
Tel: 01-897 33 00  
Fax: 01-897 33 00 99  
Kundendienst: 0820-220 224  
(0,15 Euro/min)  
E-Mail: verkauf@candy.at  
www.hoover.at

#### SUISSE

CANDY HOOVER AG  
Boesch 21  
CH-6331 Hünenberg  
Telefon: 041-7854040  
Gias Customer Service 0848/780 780

#### FRANCE

Groupe Rosières SAS 13,rue Auger  
93697 Pantin Cedex  
Tel: 01-49159200  
Ligne Service Consommateurs (France) 02.48.55.69.67

#### BELGIË

Candy Hoover Belgium  
Haaschtsesteenweg 162B  
1820 Melsbroek  
Tel. : 02-752 94 11

Gias Customer Service 0903/99109

#### NEDERLAND

Candy Nederland BV  
Argonweg 7-11  
3812 RB AMERSFOORT  
Tel: 033-4224000  
Gias Customer Service (Nederland) 0900/9999109  
www.hoover.nl

#### POLSKA

Candy Polska Sp. z o.o.  
Ul. Hubera 7  
02-230 Warszawa  
Tel 022/6580177  
Fax 022/6584271  
Gias Customer Services  
Tel 042-653 36 29  
Fax 042-611 66 77

#### РОССИЯ

Представительство в СНГ:  
109034, Россия, Москва,  
Сеченовский пер.6 стр. 3  
Тел: + 7-095-796.96.95  
Факс: +7-095-796.96.94  
Представительство в Украине:  
01033, Украина, Киев, ул.  
Володимирская 97/37  
Тел: +38-044-490,59,54  
Факс: +38-044-490,59,57

HOOVER LTD Pentrebach, Merthyr

المقر الرئيسي الأوروبي لشركة هوفر

Tydfil, Mid Glamorgan CF48 4TU

#### ΕΛΛΑΔΑ

ΑΦΟΙ Κ. ΣΑΡΑΦΙΔΗ Α.Ε.Β.Ε  
ΑΘΗΝΑ  
Αγαμέμνωνος 47, 176 75 Καλλιθέα  
Τηλ: 210-9478700  
Φαξ: 210-9428541  
Service: 210-9478773  
Αντ/κά: 210-9478775

Πανεπιστημίου 41 - Στοά Νικολούδη  
Τηλ: 210-3222705  
Φαξ: 210-3225770

#### ΘΕΣΣΑΛΟΝΙΚΗ

Αλ. Παπαναστασίου 53-55, 54 453  
Θεσ/νίκη  
Τηλ: 2310-923761 Φαξ: 2310-932115

#### SLOVENIJA

Candy Hoover d.o.o.  
Letališka 35  
1000 Ljubljana

#### ČESKO

CANDY CR s.r.o.  
Karmelitská 18  
118 00 Praha 1  
Tel: 257 530 418

#### HRVATSKA

CANDY HOOVER ZAGREB  
Savska cesta 64/II  
10000 Zagreb  
CROATIA  
tel. 01 6176 242  
fax. 01 6176 243

#### DANMARK

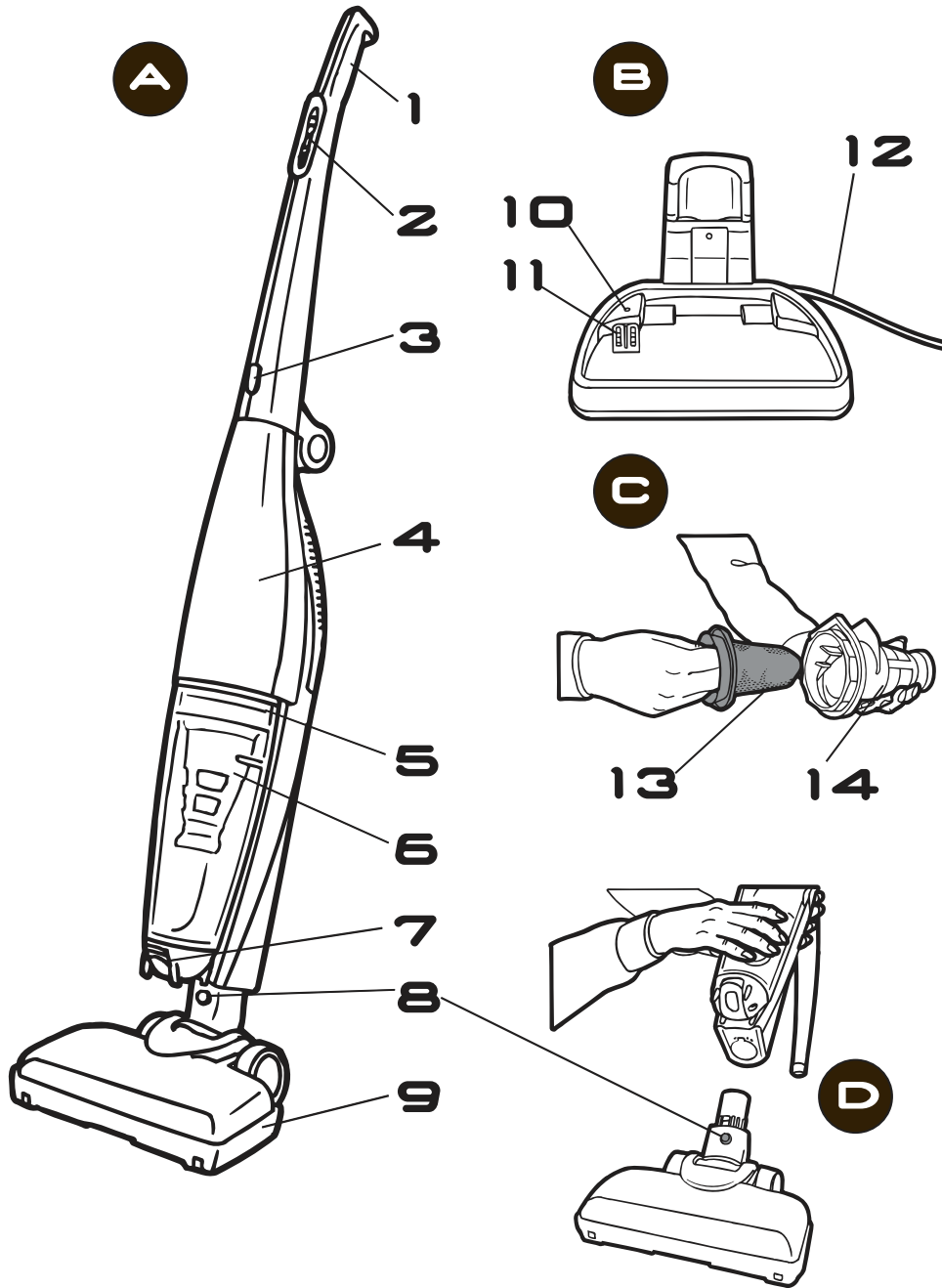
Candy Hoover A/S  
Frydenborgvej 27K  
DK-3400 Fredensborg  
CVR-nr.: DK18777231  
Tel.: +45 48 24 58 20  
Fax service: +45 48 24 58 28/21

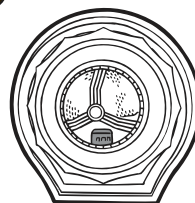
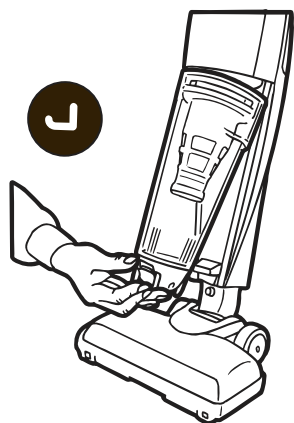
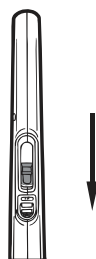
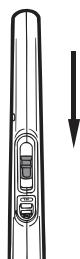
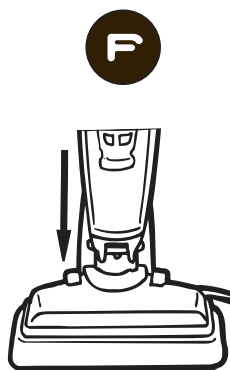
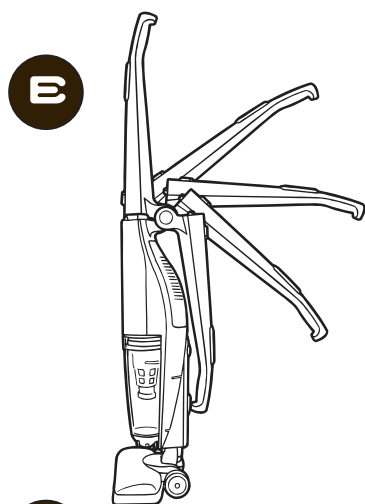
#### SVERIGE

HOOVER SERVICE  
Telefon: 013-163510  
Telefax: 013-154508  
Candy-Hoover Oy  
Lautamiehentie 3  
02770 Espoo

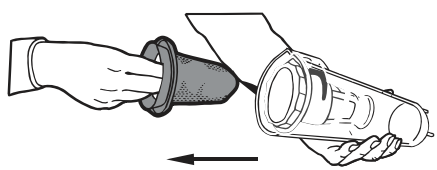
#### SUOMI

Candy-Hoover Oy  
Lautamiehentie 3  
02770 Espoo  
puh. 09-4393000

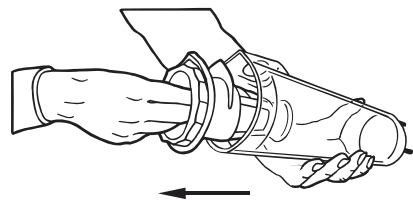




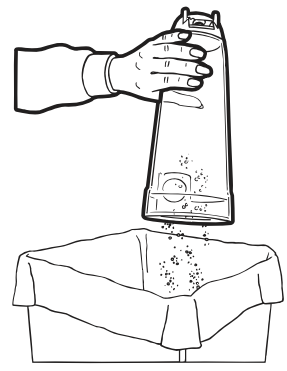
**L**



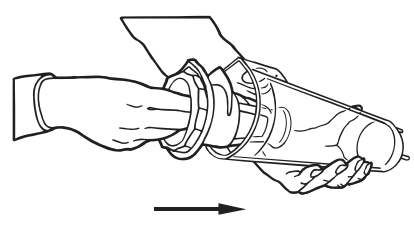
**M**



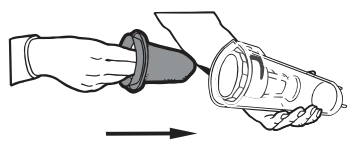
**Z**



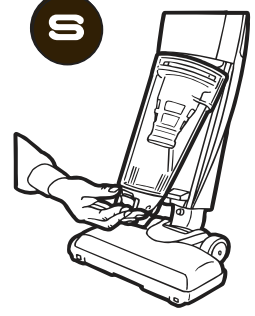
**P**



**R**



**S**



**GB****PLEASE READ THESE INSTRUCTIONS CAREFULLY**

This cleaner should only be used for domestic cleaning as described in these instructions. Please ensure that these are fully understood before operating the appliance. The Charger Base is double insulated and must not be earthed.

**ELECTRICAL REQUIREMENTS**

This Hoover appliance is supplied with a double insulated battery charger which is only suitable for insertion in a 230V (UK 240V) socket outlet. Ensure that the charger rating label matches your voltage supply.

**FEATURES****A****CLEANER ASSEMBLY**

1. Handle
2. On/Off and Selector Switch
3. Handle Release Button
4. Main Body
5. Dust Cup
6. Filter (Inside Dust Cup)
7. Dust Cup Release Button
8. Nozzle Release Button
9. Carpet & Floor Nozzle

**B****CHARGING**

10. Indicator Light
11. Charger Contacts
12. Power Cord

**C****FILTERS**

13. Filter
14. Filter Screen

**PREPARING CLEANER FOR USE**

- D** Line up Nozzle with Main Body and firmly push Nozzle into Main Body until the Nozzle locks into place.

**NOTE:** To remove Nozzle, push Nozzle Release Button **8** and pull nozzle away from Main Body.

- E** Fold Handle up until it locks into place.

**NOTE:** For storage purposes the Handle may be folded down by depressing Handle Release Button **3**.

**CHARGING**

**NOTE:** Use only the charger supplied with your cleaner to recharge.

**IMPORTANT:** Before first use charge your cleaner for 24 hours.

When charging the Cleaner power switch must be Off.

Keep the charger plugged into a socket outlet at all times. It is normal for the charger to become warm to the touch when charging.

If the operating time reduces after repeated use, let the cleaner run until it stops, then recharge for 24 hours and repeat this monthly for best results.

- F** Place cleaner on Charger Base **B**

The indicator light **10** will illuminate when charging.

**IMPORTANT:** Never charge the batteries in temperatures above 37 °C or below 0 °C.

**USING YOUR CLEANER**

- G** **Hard Floors:** Slide the On/Off Switch 2 forward to the hard floor position.

- H** **Carpets:** Slide the On/Off Switch 2 fully forward to the carpet cleaning position.

**DUST CUP AND FILTER: REMOVAL & REPLACEMENT****REMOVAL**

- J** Remove Dust Cup: Depress the Dust Cup Release Button **7** and remove the Dust Cup Assembly.



## DUST CUP AND FILTER: REMOVAL & REPLACEMENT

### REMOVAL (Continued)



- K** **L** Remove Filter: Grip the tab and pull the Filter out of the Filter Screen. Clean the debris from the Filter using a soft brush.
- M** Remove the Filter Screen from the Dust Cup.
- N** Clean the debris from the Filter Screen by tapping it lightly on the side of a dustbin.  
Empty the Dust Cup into a dustbin.

The Filter and Filter Screen may be washed in warm soapy water, make sure they are completely dry before replacing in your cleaner.

### REPLACEMENT

- P** Return the Filter Screen to the Dust Cup.  
Re-assemble the Filter into the Filter Screen.
- R** Replace Dust Cup Assembly onto Main Body by aligning the top of the Dust Cup Assembly to the Main Body and pushing firmly until the Release Button **7** clicks into place.

### Safety reminders.

**DO NOT** pick up liquids, hard or sharp objects, matches, hot ashes, cigarette ends or other similar items.

**DO NOT** pick up solvent based products or inflammable liquids such as cleaning fluids, petrol, etc., or their vapors.

**DO NOT** use the appliance if it appears to be faulty, or either the cord or charger base is damaged.

**DO NOT** replace the nickel-cadmium battery pack with non-rechargeable batteries.

**DO** frequently clean the dust cup and filter assembly when picking up fine powder.

**DO** return the appliance to the charger base after use to recharge the batteries. Occasionally fully discharge the batteries to obtain maximum battery life.

### End of product life battery disposal

When the battery is no longer capable of holding a charge, the nickel-cadmium battery pack inside the product must be removed and disposed of in the correct manner.

Lift the product off the charging base, remove the two screws at the back of the cleaner adjacent to the exhaust air grill and lift off the battery cover. Remove the battery pack. Ask your local council for details of battery disposal or return them to an authorised Hoover Service Dealer.

### GUARANTEE STATEMENT

Your new appliance is fully guaranteed for 12 months from the date of purchase against electrical/mechanical breakdown excluding:

- a) Any faults which occur due to incorrect installation or misuse of the machine or accidental damage.
- b) Repair of, or interference with the machine by any person not authorised by the manufacturer to carry out service.
- c) Any parts which are fitted to the machine which are not original manufacturers parts.
- d) Non-domestic use of the machine.
- e) Operation at incorrect voltage.

The guarantee applies to Great Britain and Northern Ireland only. The foregoing does not affect your statutory rights.

