

HOOVER SERVICE

FOR YOUR LOCAL ENGINEER PLEASE CALL OUR NATIONAL NUMBER

0990-400600



AREAS COVERED BY HOOVER SERVICE DEALERS
ALSO CHANNEL ISLANDS, SCILLY ISLES, ORKNEY, SHETLANDS
SEE LOCAL TELEPHONE DIRECTORY

HOOVER POLICY IS ONE OF CONTINUOUS DEVELOPMENT AND FOR THIS REASON
WE RESERVE THE RIGHT TO CHANGE SPECIFICATIONS WITHOUT PRIOR NOTICE

HOOVER LIMITED DRAGONPARC ABERCANAID MERTHYR TYDFIL MID-GLAMORGAN CF48 1PQ

V340P011002

© 2001

PRINTED IN P.R.C.



GENERATION FUTURE

TÉLIOS



USER INSTRUCTIONS

SAFETY REMINDERS

USER'S MANUAL. THIS CLEANER SHOULD ONLY BE USED FOR ITS INTENDED PURPOSE AS DESCRIBED IN THESE INSTRUCTIONS. ENSURE THAT THESE ARE FULLY UNDERSTOOD BEFORE OPERATING THIS APPLIANCE.

REPLACE THE PAPER BAG FREQUENTLY WHEN PICKING UP MATERIAL SUCH AS POWDER OR FINE DUST OR WHEN CLEANING NEW CARPETS.

DO NOT USE YOUR CLEANER OUT OF DOORS OR ON ANY WET SURFACE OR FOR WET PICK-UP.

DO NOT PICK UP HARD OR SHARP OBJECTS, MATCHES, HOT ASHES, CIGARETTE ENDS OR OTHER SIMILAR ITEMS.

STATIC ELECTRICITY. SOME CARPETS CAN CAUSE A SMALL BUILD UP OF STATIC ELECTRICITY. ANY STATIC DISCHARGE IS NOT HAZARDOUS TO HEALTH.

ONLY USE ATTACHMENTS RECOMMENDED OR SUPPLIED BY HOOVER

DO NOT PICK UP FLAMMABLE LIQUIDS SUCH AS CLEANING FLUIDS, PETROL ETC, OR THEIR VAPOURS.

AEROSOL SPRAYS MAY BE FLAMMABLE. DO NOT SPRAY NEAR THE CLEANER.

SUPPLY CORD. DO NOT REMOVE THE PLUG BY PULLING ON THE SUPPLY CORD. IF THE SUPPLY CORD IS DAMAGED, THE CLEANER MUST BE REPAIRED BY AN AUTHORISED HOOVER SERVICE ENGINEER TO AVOID A SAFETY HAZARD.

FAULTS. DO NOT CONTINUE TO USE YOUR CLEANER IF IT APPEARS TO BE FAULTY OR THE SUPPLY CORD IS DAMAGED.

AFTER USE. SWITCH THE CLEANER OFF AND REMOVE THE PLUG FROM THE ELECTRICITY SUPPLY. ALWAYS SWITCH OFF AND REMOVE THE PLUG BEFORE CLEANING THE APPLIANCE OR ATTEMPTING ANY MAINTENANCE WORK.

HOOVER SERVICE. TO ENSURE THE CONTINUED SAFE AND EFFICIENT OPERATION OF THIS APPLIANCE, WE RECOMMEND THAT ANY SERVICING OR REPAIRS ARE ONLY CARRIED OUT BY AN AUTHORISED HOOVER SERVICE ENGINEER.

ELECTRICAL REQUIREMENTS

WARNING!
ELECTRICITY CAN BE EXTREMELY DANGEROUS.

THIS APPLIANCE IS DOUBLE INSULATED AND MUST NOT BE EARTHED.

IMPORTANT: THE WIRES IN THE MAINS LEAD ARE COLOURED IN ACCORDANCE WITH THE FOLLOWING CODE:

BLUE - NEUTRAL BROWN - LIVE

GENUINE HOOVER SPARES

ALWAYS REPLACE WITH GENUINE HOOVER SPARES. THESE ARE AVAILABLE FROM YOUR LOCAL HOOVER DEALER OR DIRECT FROM HOOVER. WHEN ORDERING PARTS ALWAYS QUOTE YOUR MODEL NUMBER.

HOOVER SERVICE

SHOULD YOU REQUIRE SERVICE AT ANY TIME PLEASE CALL YOUR LOCAL HOOVER SERVICE OFFICE LISTED ON THE BACK PAGE OF THIS BOOK.

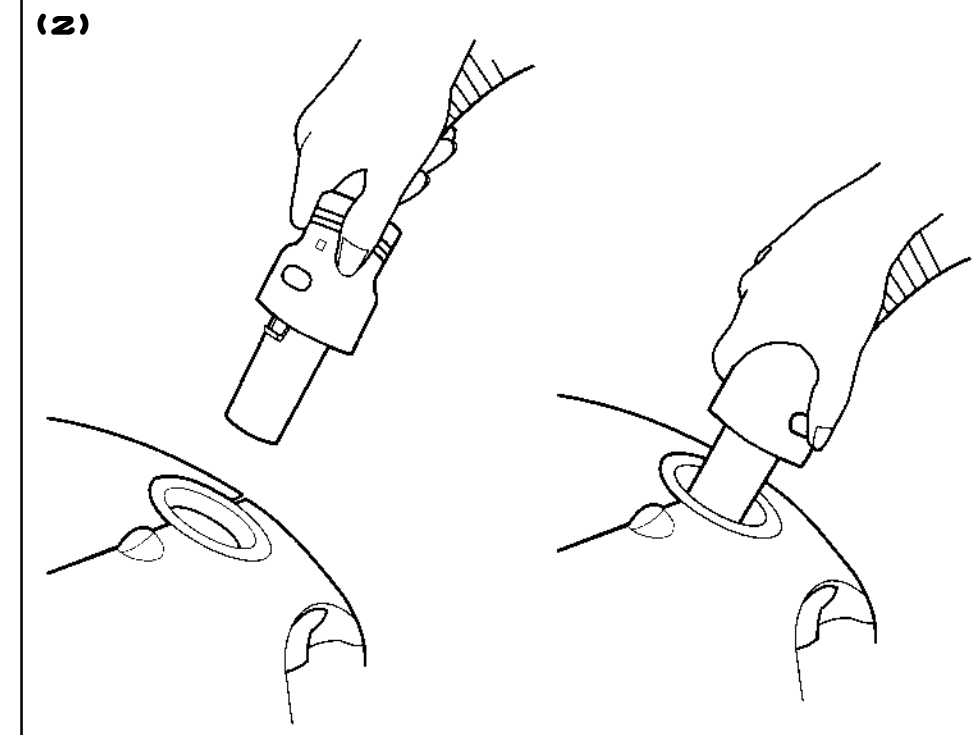
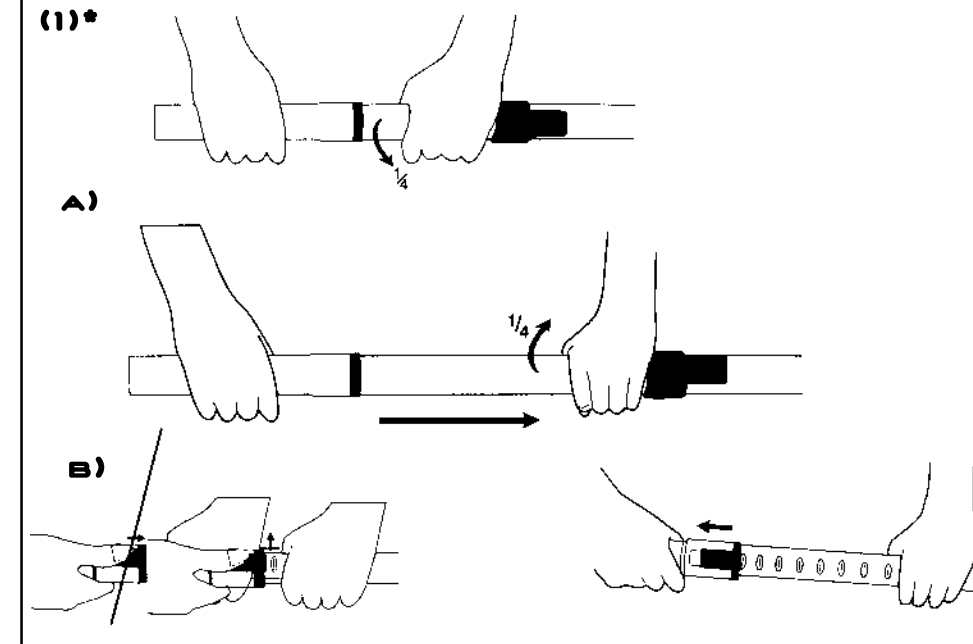
HOOVER HAVE A COMPUTERISED NATIONWIDE SERVICE NETWORK OF OVER 500 ENGINEERS WHO WILL RESPOND QUICKLY TO YOUR CALL AND GUARANTEE YOUR REPAIR FOR 12 MONTHS.

HOOVERCARE

TO MAINTAIN YOUR HOOVER PRODUCT IN PEAK CONDITION YOU MAY ALSO WISH TO TAKE OUT A HOOVERCARE POLICY, WHICH FOR AN ANNUAL PAYMENT PROVIDES A COMPREHENSIVE MAINTENANCE AND REPAIR SCHEME.

FOR FURTHER INFORMATION TELEPHONE YOUR LOCAL HOOVER SERVICE OFFICE LISTED OVERLEAF.

*FEATURE VARIES ACCORDING TO MODEL.



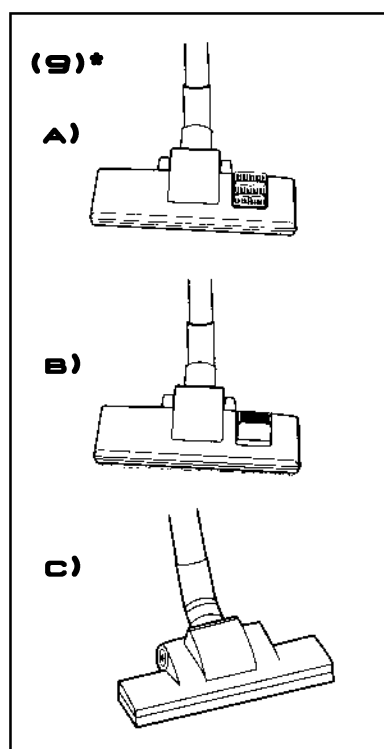
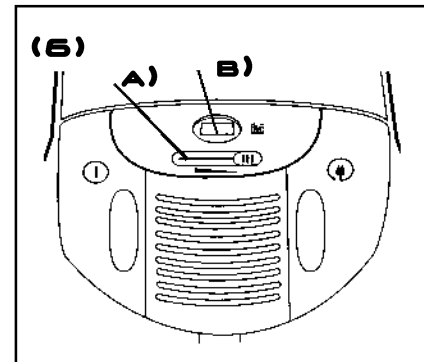
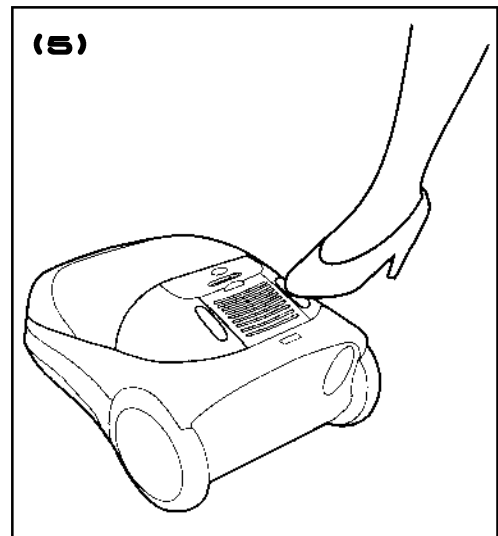
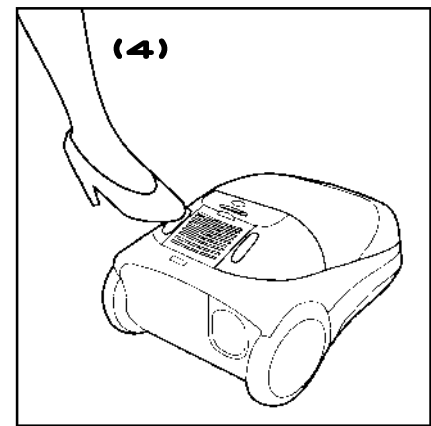
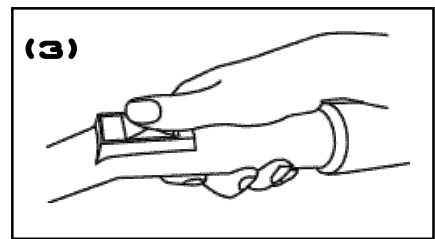
YOUR GUARANTEE

YOUR NEW APPLIANCE IS FULLY GUARANTEED FOR 12 MONTHS AGAINST ELECTRICAL/MECHANICAL BREAKDOWN EXCLUDING:

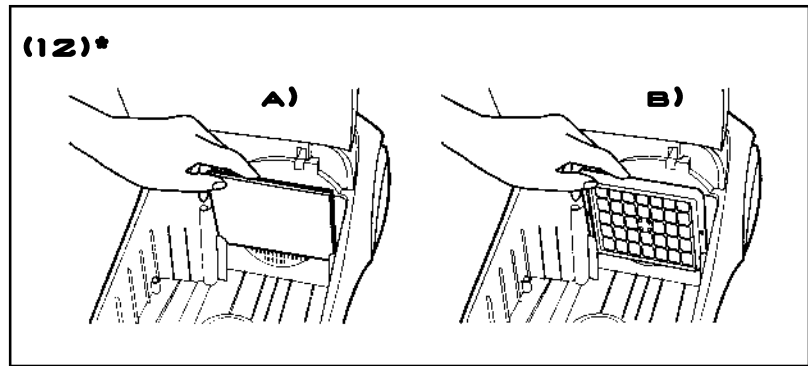
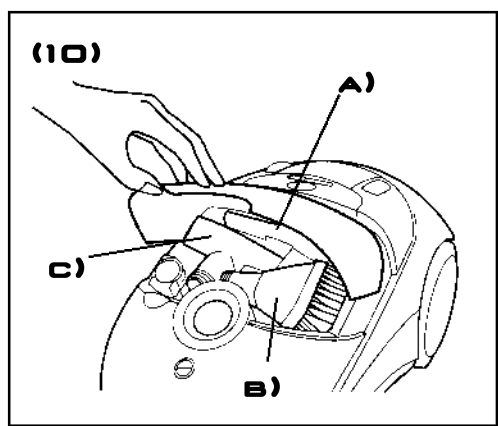
- A) ANY FAULTS WHICH OCCUR DUE TO INCORRECT INSTALLATION OR MISUSE OF THE MACHINE OR ACCIDENTAL DAMAGE.
- B) REPAIR OF, OR INTERFERENCE WITH THE MACHINE BY ANY PERSON NOT AUTHORISED BY THE MANUFACTURER TO CARRY OUT SERVICE.
- C) ANY PARTS WHICH ARE FITTED TO THE MACHINE WHICH ARE NOT ORIGINAL MANUFACTURERS PARTS.
- D) NON-DOMESTIC USE OF THE MACHINE.
- E) OPERATION AT INCORRECT VOLTAGE.

THE GUARANTEE APPLIES TO GREAT BRITAIN AND NORTHERN IRELAND ONLY.

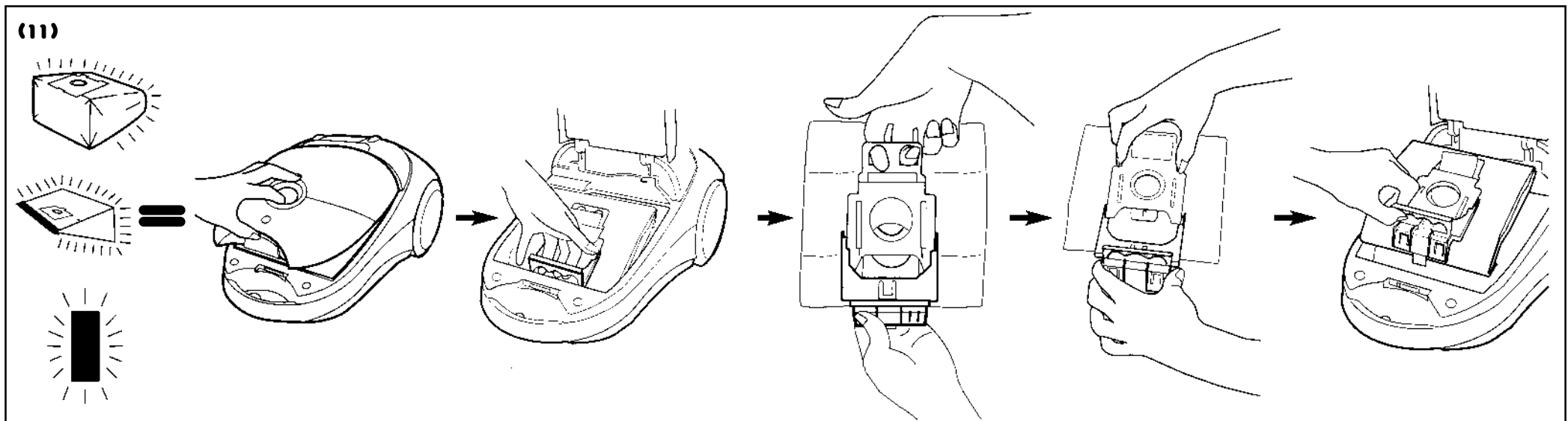
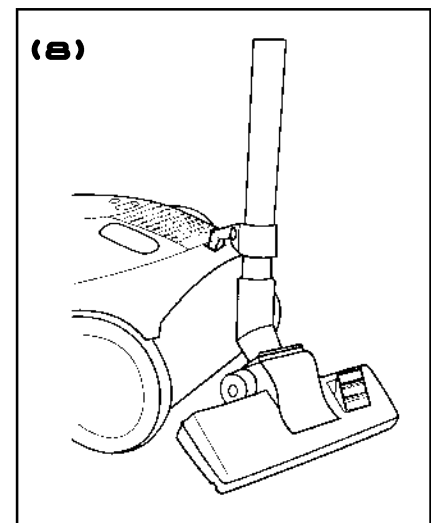
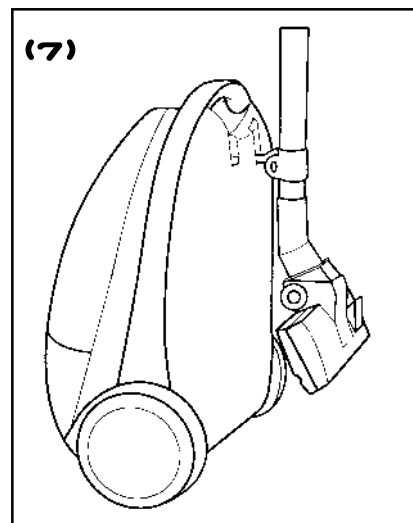
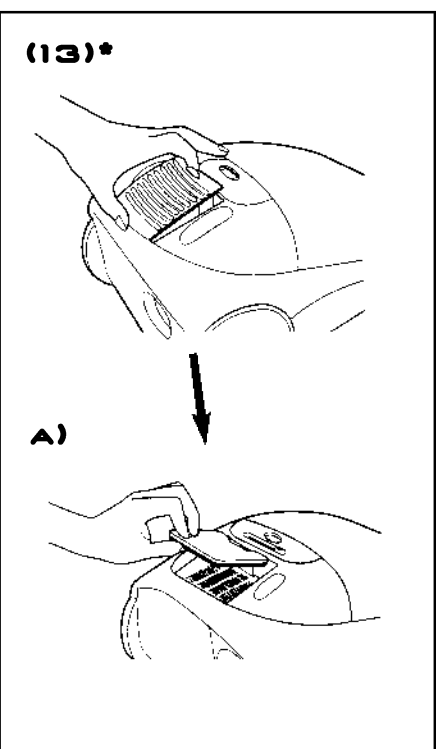
THE AFOREGOING DOES NOT AFFECT YOUR STATUTORY RIGHTS



*FEATURE VARIES ACCORDING TO MODEL.



*FEATURE VARIES ACCORDING TO MODEL.



***FEATURE VARIES ACCORDING TO MODEL**

TELESCOPIC TUBES (1)*

A) TWIST TO RELEASE LOCK.
PULL OUT TO REQUIRED LENGTH.
TWIST TO TIGHTEN.

OR

B) PUSH LATCH FORWARD OR UPWARD AS APPLICABLE.
PULL OUT TO REQUIRED LENGTH.
RELEASE LATCH TO LOCK.

HOSE FITTING (2)

PUSH INTO HOSE INLET.
TO RELEASE SQUEEZE BOTH BUTTONS AND PULL OUT.

SUCTION REGULATOR (3)

MOVE SLIDER TO ADJUST SUCTION.

ON/OFF PEDAL (4)

PUSH TO SWITCH ON
PUSH AGAIN TO SWITCH OFF.

CORD REEL PEDAL (5)*

PUSH TO AUTOMATICALLY REEL IN SUPPLY CORD.

CONTROLS (6)

A) **POWER CONTROL**
MOVE SLIDE CONTROL TO SET POWER LEVEL.

(+) INCREASE DECREASE (-)



B) **BAG CHECK INDICATOR**

URNS FROM GREEN TO RED AS BAG FILLS. WHEN 2/3 RED, BAG NEEDS EMPTYING.

STORING THE CLEANER (7)*

USE STOWAGE CLIP AS SHOWN WHEN STORING THE CLEANER.

PARK POSITION (8)

FOR TEMPORARY STOWAGE DURING CLEANING.

CARPET/FLOOR NOZZLE (9)*

A) CARPET POSITION - BRUSHES IN
B) HARD FLOOR POSITION - BRUSHES OUT
C) UNIVERSAL NOZZLE

CLEANING TOOLS (10)

A) CREVICE TOOL
B) DUSTING BRUSH
C) MULTI-PURPOSE NOZZLE

CHANGING THE PAPER BAG (11)

THE BAG CHECK INDICATOR WILL TURN RED WHEN THE BAG NEEDS EMPTYING.

FOR TRUE BAG CHECK INDICATION THE POWER CONTROL* MUST BE SET TO MAXIMUM.



DO NOT OVERFILL THE BAG.
TO CHANGE THE BAG:

1. REMOVE HOSE.
2. PRESS LATCH AND OPEN BAG DOOR.
3. LIFT OUT BAG CASSETTE.
4. PULL BAG COLLAR FROM CASSETTE USING FINGER GRIPS. THE BAG WILL SELF SEAL.
5. SLIDE COLLAR OF NEW BAG INTO CASSETTE AND LOWER CASSETTE INTO BAG HOUSING.
6. CLOSE BAG DOOR AND REFIT HOSE.

DO NOT USE CLEANER WITHOUT BAG IN PLACE.

HOOVER RECOMMEND THAT NEW FILTERS ARE FITTED AFTER FIVE FULL BAGS OF DIRT HAVE BEEN REMOVED.

***FEATURE VARIES ACCORDING TO MODEL.**

IMPORTANT: SWITCH CLEANER OFF AND REMOVE PLUG FROM ELECTRICITY SUPPLY BEFORE CHANGING PAPER BAG OR REMOVING ANY FILTERS.

EMPTYING YOUR PERMANENT FILTER BAG (11)*

FOR TRUE BAG CHECK INDICATION, POWER LEVEL MUST BE SET TO MAXIMUM. LIFT OUT BAG HOLDER AND REMOVE FULL BAG.

REMOVE THE BAG CLIP AND EMPTY THE DEBRIS INTO A SUITABLE RECEPTACLE THEN RE-FIT BAG CLIP.

ENSURE THAT THE EMPTY BAG IS PUSHED FULLY HOME INTO BAG HOLDER BEFORE USING CLEANER.

DO NOT USE THE CLEANER WITHOUT THE BAG IN PLACE.

SEE ALSO "CARE OF YOUR PERMANENT FILTER BAG".

CHANGING THE SECONDARY FILTER (12)

WITH PAPER BAG REMOVED LIFT FILTER FROM BAG HOUSING.

FIT NEW FILTER AND REPLACE PAPER BAG.

- A) *SECONDARY FILTER
- B) **S' CLASS FILTER CASSETTE OR *ACTIVE CARBON FILTER

CARE OF YOUR PERMANENT FILTER BAG

PERMANENT FILTER BAG IS ONLY AVAILABLE AS STANDARD ON SOME MODELS.

AFTER EMPTYING THE BAG 4 OR 5 TIMES, DEPENDING ON THE TYPES OF MATERIAL BEING PICKED UP, YOUR PERMANENT FILTER BAG MAY NEED THOROUGH CLEANING:

- 1) EMPTY THE BAG AS NORMAL
- 2) CAREFULLY TURN INSIDE OUT
- 3) BEAT LIGHTLY THEN GENTLY BRUSH OFF LOOSE DIRT AND CLINGING FIBRES
- 4) PERMANENT FILTER BAGS MUST NOT BE USED IN CLEANERS FITTED WITH AN "S" CLASS FILTER.

THE BAG MAY BE OCCASIONALLY HAND WASHED IN WARM WATER AND A MILD DETERGENT USING A GENTLE SQUEEZING ACTION (DO NOT WRING OUT). AFTER RINSING IN CLEAN WATER THE BAG MUST BE THOROUGHLY AIR DRIED. DO NOT TUMBLE DRY.

CHANGING THE EXHAUST FILTER (13)

1. LIFT OFF FILTER COVER.
2. REMOVE FILTER.

FIT NEW FILTER AND REPLACE COVER.

*EXHAUST FILTER

CALLING FOR SERVICE

A CHARGE WILL BE MADE IF THE CLEANER IS FOUND TO BE IN WORKING ORDER OR HAS NOT BEEN ASSEMBLED IN ACCORDANCE WITH THESE INSTRUCTIONS OR HAS BEEN USED INCORRECTLY.

BEFORE CALLING A HOOVER SERVICE ENGINEER RUN THROUGH THE FOLLOWING CHECKLIST:

1. IS THERE A WORKING ELECTRICITY SUPPLY TO THE CLEANER?
CHECK WITH ANOTHER APPLIANCE.
2. IS THE PAPER BAG FULL?
3. IS THE HOSE BLOCKED?
4. ARE THE FILTERS BLOCKED?

IF THERE IS ANY DOUBT CALL YOUR LOCAL HOOVER SERVICE OFFICE FOR ADVICE. THEY MAY BE ABLE TO ASSIST YOU OVER THE TELEPHONE.

Electrical requirements

WARNING!
ELECTRICITY CAN BE EXTREMELY DANGEROUS.

This appliance is double insulated and must not be earthed.

IMPORTANT: The wires in the mains lead are coloured in accordance with the following code:

Blue – **NEUTRAL** **Brown** – **LIVE**

***Feature varies according to model**

Telescopic tubes (1) *

- a) Twist to release lock.
Pull out to required length.
Twist to tighten.

or

- b) Push latch forward or upwards as applicable.
Pull out to required length.
Release latch to lock.

Hose fitting (2)

Push into hose inlet.

To release squeeze both buttons and pull out.

Suction regulator (3)

Squeeze trigger to reduce suction.

ON/OFF pedal (4)

Push to switch on

Push again to switch off.

Cord reel pedal (5) *

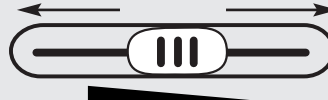
Push to automatically reel in supply cord.

Controls (6)

a) *Power control

Move slide control to set power level.

(+) increase decrease (-)



b) Bag check indicator

Turns from green to red as bag fills. When $\frac{2}{3}$ red, bag needs emptying.

Storing the cleaner (7) *

Use stowage clip as shown when storing the cleaner.

Park position (8)

For temporary stowage during cleaning.

Carpet/floor nozzle (9) *

- a) Carpet position - brushes in
- b) Hard floor position - brushes out
- c) Universal nozzle

Cleaning tools (10)

- a) Crevice tool
- b) Dusting brush
- c) Multi-purpose nozzle

Changing the paper bag (11)

The bag check indicator will turn red when the bag needs emptying.

For true bag check indication the power control* must be set to maximum.



DO NOT overfill the bag.

To change the bag:

1. Remove hose.
2. Press latch and open bag door.
3. Lift out bag cassette.
4. Pull bag collar from cassette using finger grips. The bag will self seal.
5. Slide collar of new bag into cassette and lower cassette into bag housing.
6. Close bag door and refit hose.

IMPORTANT: Switch cleaner off and remove plug from electricity supply before changing paper bag or removing any filters.

DO NOT use cleaner without bag in place.

Hoover recommend that new filters are fitted after five full bags of dirt have been removed.

Changing the secondary filter (12)

With paper bag removed lift filter from bag housing.

Fit new filter and replace paper bag.

- a) *Secondary filter
- b) *‘S’ class filter cassette
or
*Active carbon filter

Changing the exhaust filter (13)

1. Lift off filter cover.
2. Remove filter.

Fit new filter and replace cover.

*Exhaust filter

Calling for service

A charge will be made if the cleaner is found to be in working order *or* has not been assembled in accordance with these instructions *or* has been used incorrectly.

Before calling a HOOVER Service Engineer run through the following checklist:

1. Is there a working electricity supply to the cleaner?

Check with another appliance.

2. Is the paper bag full?
3. Is the hose blocked?
4. Are the filters blocked?

If there is any doubt call your local Hoover Service Office for advice, they may be able to assist you over the telephone.