




# HOOVER

<b>Instruction Manual For Induction Hob</b>	<b>ENGLISH</b>
<b>Table De Cuisson Induction</b>	<b>FRENCH</b>
<b>Návod k použití pro indukční varnou desku</b>	<b>CECK</b>
<b>Brugervejledning til induktionskogetop</b>	<b>DANISH</b>
<b>Manuale di istruzioni per piano cottura a induzione</b>	<b>ITALIAN</b>
<b>Manual de instrucciones para encimera de inducción</b>	<b>SPANISH</b>
<b>Induktiokeittotason ohjekirja.</b>	<b>FINN</b>
<b>Gebrauchsanleitung für Induktions-Kochfeld</b>	<b>GERMAN</b>
<b>Bruksanvisning for induksjonsplatetopp</b>	<b>NORWEGIAN</b>
<b>Instrukcja użytkowania indukcyjnej płyty grzejnej</b>	<b>POLISH</b>
<b>Руководство по эксплуатации индукционной варочной панели</b>	<b>RUSSIAN</b>
<b>Instruktionshandbok för induktionshäll</b>	<b>SWEDISH</b>
<b>Gebruiksa anwijzing inductiekookplaat</b>	<b>DUTCH</b>
<b>Manual de Instruções da placa de indução</b>	<b>PORTUGUESE</b>
<b>Navodila za uporabo indukcijskih kuhalnih plošč</b>	<b>SLOVENIAN</b>
<b>Návod na použitie indukčnej varnej dosky</b>	<b>SLOVENSKY</b>

HI642C HIC642

Thank you for purchasing the HOOVER induction hob. Please read this instruction manual carefully before using the hob and keep it in a safe place for future reference.



By placing the CE  marking on this product, we declare, on our own responsibility, compliance to all the European safety, health and environmental requirements stated in the legislation for this product. As applicable, the parts of this appliance are compliant to: REGULATION (EC) No 1935/2004 on materials and articles intended to come into contact with food.

## **Safety Reminding and Maintenance:**

- **WARNING:** The appliance and its accessible parts become hot during use. Care should be taken to avoid touching heating elements.
- Children under 8 Year of age must be kept away from the appliance unless they are continuously supervised.
- This appliance can be used by children aged from 8 years and above and persons with reduced physical, sensory or mental capabilities or lack of experience and knowledge if they have been given supervision or instruction concerning use of the
- appliance in a safe way and understand the hazards involved. Children must not play with the appliance.
- Cleaning and user maintenance shall not be made by children without supervision
- **WARNING:** Unattended cooking on a hob with fat or oil can be dangerous and may result in fire.
- **NEVER** try to extinguish a fire with water, but switch off the appliance and then cover flame e.g. with a lid or a fire blanket.
- **WARNING:** Danger of fire: do not store items on the cooking surfaces.

- **WARNING:** If the surface is cracked, switch off the appliance to avoid the possibility of electric shock.
- Do not use a steam cleaner for cleaning operations
- Metallic objects such as knives, forks, spoons and sauce pan lids must not be placed on the hob surface as they can get hot. Any spillage should be removed from the lid before opening.
- The hob surface must be allowed to cool down before closing the lid.
- After use, switch off the hob element by its control. Do not rely on the pan detector.
- This appliance is not intended to be operated by means of an external timer or separate remote - control system.
- The means for disconnection must be incorporated in the fixed wiring in accordance with the wiring rules.
- The instructions state the type of cord to be used, taking into account the temperature of the rear surface of the appliance.
- If the supply cord is damaged, it must be replaced by the manufacturer's service agent or similarly qualified persons in order to avoid a hazard.
- **CAUTION:** In order to avoid a hazard due to inadvertent resetting of the thermal cutout, this appliance must not be supplied through an external switching device, such as a timer, or connected to a circuit that is regularly switched on and off by the utility.

**WARNING:** Use only hob guards designed by manufacturer of the cooking appliance or indicated by the manufacturer of the appliance in the instructions for use as suitable or hob guards incorporated in the appliance. The use of inappropriate guards can cause accidents.

- Always use the appropriate cookware.
- Always place the pan in the center of the unit that you are cooking on.
- Do not place anything on control panel.
- Do not use the surface as a cutting board.

- The means for disconnection must be incorporated in the fixed wiring in accordance with the wiring rules.- The instructions state the type of cord to be used, taking into account the temperature of the rear surface of the appliance.
- The hob surface must be allowed to cool down before closing the lid.- CAUTION: the cooking process must be supervised. A short term cooking process has to be supervised continuously

#### Dear Customer:

Thank you for purchasing the CANDY induction hob. We hope it will give many years of good service.

Please read this instruction manual carefully before using the hob and keep it in a safe place for future reference.

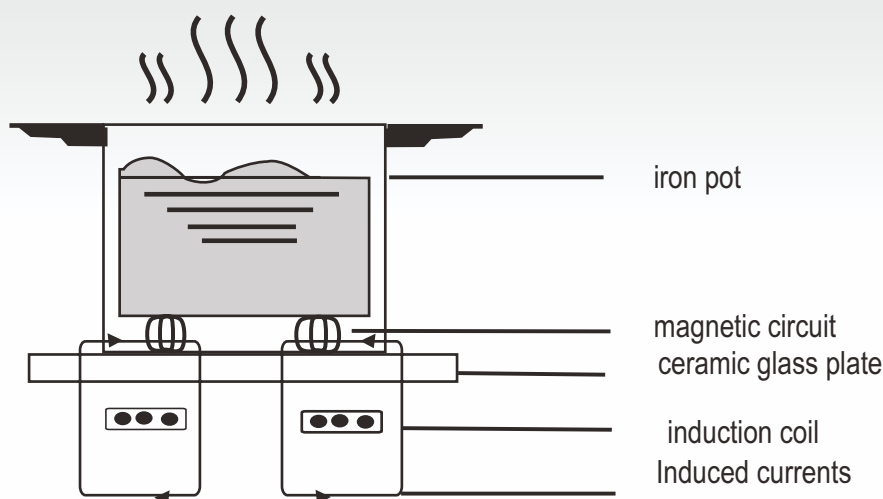
## Product Introduction

The induction hob caters for all kind of cooking,with its electromagnetic cookingzones, and its micro-computerised controls and multi-functions, making it the ideal choice for today's family.

Manufactured with specially imported materials, the CANDY induction hob is extremely user-friendly, durable and safe.

## Working Principle

The induction hob comprises a coil, a hotplate made of ferromagnetic material and a control system. Electrical current generates a powerful magnetic field through the coil. This produces a large number of vortices which in turn generate heat which is then transmitted through the cookingzone to the cooking vessel.



## Safety

This hob was specially designed for domestic use.

In its constant search to improve its products, CANDY reserves the right to modify any technical, programme or aesthetic aspects of the appliance at any time.

### ● Protection from over-heating

A sensor monitors the temperature in the cooking zones. When the temperature exceeds a safe level, the cooking zone is automatically switched off.

### ● Detection of small or non-magnetic items

When a pan with a diameter of less than 80 mm, or some other small item (e.g. knife, fork, key) or a non-magnetic pan (e.g. aluminium) has been left on the hob, a buzzer sounds for approximately one minute, after which the hob goes automatically on to standby.

### ● Residual heat warning

When the hob has been operating for some time, there will be some residual heat. The letter "H" appears to warn you to keep away from it.

### ● Auto shutdown

Another safety feature of the induction hob is auto shutdown. This occurs whenever you forget to switch off a cooking zone. The default shutdown times are shown in the table below:

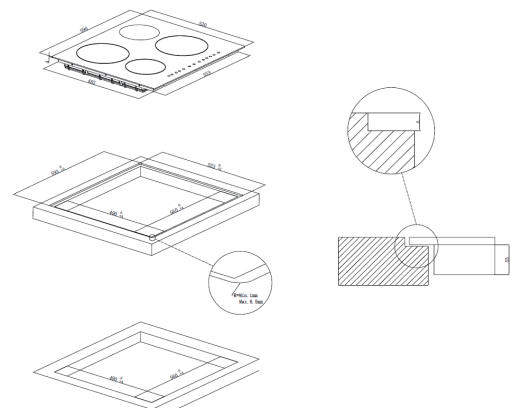
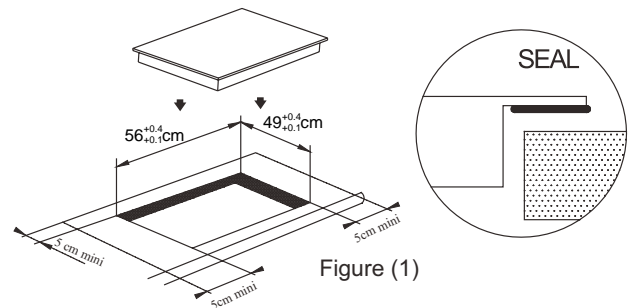
Power level	The heating zone shut down automatically after
1~3	8 hours
4~6	4 hours
7~9	2 hours

When the pan is removed from the cooking zone, it stops heating immediately and switches itself off after the buzzer has sounded for one minute.

**Warning:** Anyone who has been fitted with a heart pacemaker should consult a doctor before using the induction hotplate.

## Installation

1. Cut a hole in the worktop of the dimension shown in the diagram below. A minimum of 50 mm space should be left around the hole. The worktop should be at least 30 mm thick and made of heat-resistant material. As shown in Figure (1)



Flush installation: Feasible only if the oven is not installed under the counter

2. It is essential that the induction hob is well ventilated and that the air intake and exit are not blocked.

Make sure the hob is correctly installed as shown in Figure 2.

Figure (2)

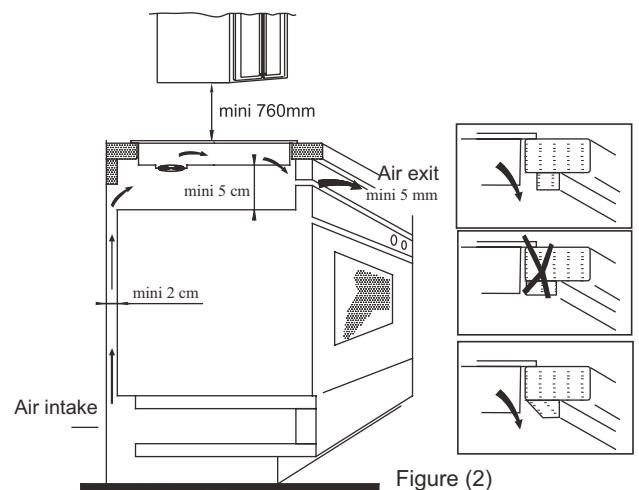
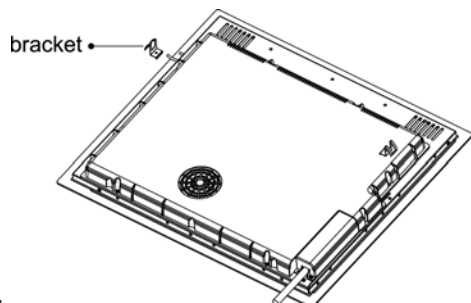


Figure (2)

**NB:** For safety, the gap between the hob and any cupboard above it should be at least 760 mm.

- Fix the hob to the worktop using the four brackets on the base of the hob. The position of the brackets can be adjusted according to the thickness of the top.



**Warnings:**

- The induction hob must be installed by a properly qualified person. We have our own qualified installers. Never try to install the appliance yourself.
- The induction hob must not be installed above refrigerators, freezers, dishwashers or tumble dryers.
- The induction hob should be installed so that optimum radiation of heat is possible.
- The wall and the area above the hob should be able to withstand heat.
- To avoid any damage, the sandwich layer and adhesive should be heat-resistant.

**4. Connection to power supply**

The socket should be connected in compliance with the relevant standard, to a single-pole circuit breaker. The method of connection is shown in Figure 3.

Voltage	Wire connection				
380-415V 3N~	1 L1	2 L2	3 N	4 N	5 Ground
	Black	Brown	Blue	Blue	Yellow/Green
220-240V~	1 L	2 L	3 N	4 N	5 Ground
	Black & Brown	Black & Brown	Blue	Blue	Yellow/Green

Figure (3)

If the cable is damaged or needs replacing, this should be done by an after-sales technician using the proper tools, so as to avoid any accidents.

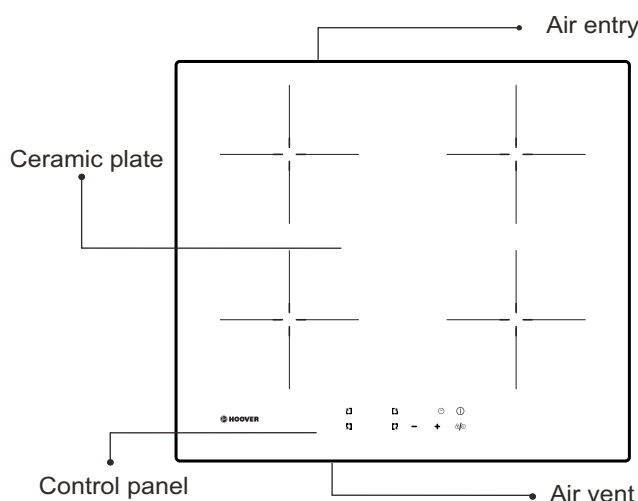
If the appliance is being connected directly to the mains supply, an omnipolar circuit breaker must be installed with a minimum gap of 3 mm between the contacts.

The installer must ensure that the correct electrical connection has been made and that it complies with safety regulations.

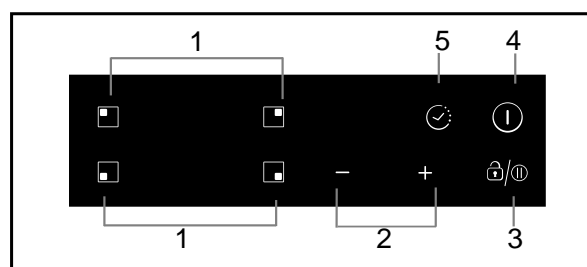
The cable must not be bent or compressed.

The cable must be checked regularly and only replaced by a properly qualified person.

**Diagram of induction hob:**



**Schematic diagram of the control panel**



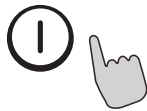
- 1. Heating zone selection controls
- 2. Power / Timer regulating key
- 3. Keylock/Pause control
- 4. ON/OFF control
- 5. Timer control

## Instructions for Use

### Preparation before using:

When the power is switched on, the buzzer will sound once and all the indicators will come on for one second and then go out. The hob is now in standby mode.

Place the pan in the centre of the cooking zone.

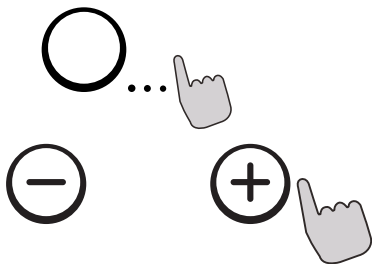


### Operating instructions

When the ON/OFF key is pressed, all the indicators show "-". Select the power level by pressing the "+" or "-" key for the relevant hotplate. To begin with the indicator shows "5". Adjust up or down by pressing the "+" or "-" key. If you press the "+" and "-" keys simultaneously, the power setting returns to "0" and the cooking zone switches off.

See the table on Page 6 for the power specific to each cooking zone.

**NB:** When the ON/OFF key is pressed, the induction hob returns to standby mode if no other operation is carried out within one minute



### Timing function

Press the timing key and the indicator will start flashing. Then set the time for between 1 and 99 minutes, by pressing the "+" and "-" keys. Pressing the "+" key once increases the time by one minute; pressing the "-" key once

decreases the time by one minute. When the set time exceeds 99 minutes, it will automatically return to "0" minutes. If the "-" and "+" keys are pressed simultaneously, the indicator will display "0".



### Timer confirmation

1. Select the power level of the cooking zone and then press the "Timer" key. The timer can now be set.
2. When the timing indicator has been flashing for 5 seconds, the set time will be automatically confirmed.
3. After selecting a set time, confirm by pressing the "Timer" key.
4. Once the "Timer" is confirmed, a dot appears on the bottom right of the power level of the selected zone. "

### Timer cancellation

After setting the time again, hold down the "Timer" key for 5 seconds. This will cancel the timer and the indicator will revert to "0".

### Safety mode

To ensure the safety of children, the induction hob is fitted with an interlock device.

To lock: hold down the "Interlock" ; the hob then goes into "Interlock" mode, the timer shows "Lo" and the rest of the keys are disabled except the " ON/OFF " key.

### Unlocking

Hold down the "Interlock" key for 2 seconds and the hob will return to normal working.





## Boost mode

Touching the heating zone selection control , then touching "+" . Make sure the display shows "9" .

Touching the "+" button again ,the zone indicator show "b" and the power reach Max



## Cancel the Boost mode

Touching the "-" button to cancel the Boost function, then the cooking zone will revert to its original setting.

Touching "-" and "+" control together. the cooking zone switch off and the boost function cancel automatically



- The cooking zone returns to its original setting after 5 minutes



**Note:** It is recommended that the cooker hood suction is switched on few minutes prior to cooking and switched off few minutes after terminating cooking.

## Pause Mode

- You can pause the heating instead of shutting the hob off.
- When entering the Pause mode, all the controls except the ON/OFF control are disabled.

To enter pause mode	
Touch the lock/pause control.	All the indicator will show " 11"
To unlock the controls	
Touch the lock/pause control.	



When the hob is in the pause mode, all the controls are disable except the ON/OFF  , you can always turn the induction hob off with the ON/OFF  control in an emergency.

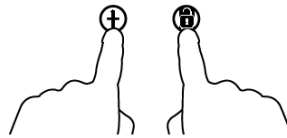
## Power Management Function

- it is possible to set a maximum power absorption level for the induction hob, choosing up to different power ranges.
- induction hobs are able to limit themselves automatically in order to work at lower power level, to avoid the risk of overloading.

### To enter Power Management Function

Turn on the hob, then Press at the same time the "+" (timer) and key lock.

The timer indicator will show " P5" which means power level 5. The default mode is on 7.0Kw/ 7.1Kw.



### To switch to another level

press +/- from the timer There are 5 power levels, from "P1" to "p5". The timer indicator will show one of them.

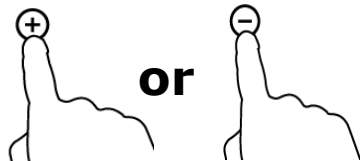
"P1": the maximum power is 2.5Kw.

"P2": the maximum power is 3.5Kw.

"P3": the maximum power is 4.5Kw.

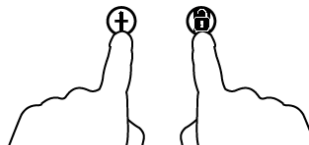
"P4": the maximum power is 5.5Kw.

"P5": the maximum power is 7.0Kw/ 7.1Kw.



### Confirmation and Exit Power Management Function

Press at the same time + (timer) and key lock for confirmation. Then the hob will be turned off.



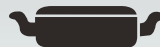
## Selection of cooking vessels



Iron oil frying pan



Stainless steel pot



Iron pan



Iron kettle



Enamel stainless steel kettle



Enamel cooking utensil



Iron plate

You may have a number of different cooking vessels

- 1 This induction hob can identify a variety of cooking vessels, which you can test by one of the following methods:

Place the vessel on the cooking zone. If the corresponding cooking zone displays a power level, then the vessel is suitable. If "U" flashes, then the vessel is not suitable for use with the induction hob.

- 2 Hold a magnet to the vessel. If the magnet is attracted to the vessel, it is suitable for use with the induction hob.

NB: The base of the vessel must contain magnetic material.

It must have a flat bottom with a diameter of more than 14 cm.

- 3 Use pans whose diameter is as large as the graphic of the zone selected. Using a pot a slightly wider energy will be used at its maximum efficiency. If you use smaller pot efficiency could be less than expected. Pot less than 140 mm could be undetected by the hob.

## Cleanness and Maintenance

The surface of the induction hob may be easily cleaned in the following way:

Type of contamination	Method of cleaning	Cleaning materials
Light	Immerse in hot water and wipe dry	Cleaning sponge
Rings and lime scale	Apply white vinegar to the area, wipe with a soft cloth or use a commercially available product	Special adhesive for ceramic glass
Sweetmeat, melted aluminium or plastics	Use a special scraper for ceramic glass to remove residue (a silicon product is best)	Special adhesive for ceramic glass

NB: Disconnect the power supply before cleaning.

## Failure Display and Inspection

If any abnormality occurs, the induction hob will automatically go into protective mode and display one of the following codes:

Fault	Possible cause	Solutions
F0/F1/F2	Fan failure	Contact the supplier
F3-F8	Temperature sensor failure	Contact the supplier
E1/E2	Abnormal voltage in power supply	Check if power supply is normal. Power on after power supply returns to normal.
E3/E4	Abnormal temperature	Check the pan
E5/E6	Poor heat radiation in cooking zone	Restart when cooking zone cools down

The above table shows how to assess and check common faults. Do not dismantle the appliance yourself, otherwise you may damage the induction hob.

## Customer Care Service

If a fault should occur, before calling After Sales Service, please do the following:

- Check that the appliance is correctly plugged in
- Read the failure and display table above

If you are still unable to resolve the problem, switch off the appliance, do not try to dismantle it, and call

After Sales Service.

## Special Declaration

---

The contents of this manual have been carefully checked. However, the company cannot be held responsible for any misprints or omissions. Also, any technical modifications may be included in a revised version of the manual without notice. The appearance and colour of the appliance in this manual may differ from the actual one.

---



**DISPOSAL:** Do not dispose this product as unsorted municipal waste. Collection of such waste separately for special treatment is necessary.


For more detailed information about treatment, recovery and recycling of this product, please contact your local city office, your household waste disposal service or the shop where you purchased the product.

This appliance is labelled in compliance with European directive 2012/19/EC for Waste Electrical and Electronic Equipment (WEEE).

By ensuring that this appliance is disposed of correctly, you will help prevent any possible damage to the environment and to human health, which might otherwise be caused if it were disposed of in the wrong way.

The symbol on the product indicates that it may not be treated as normal household waste. It should be taken to a collection point for the recycling of electrical and electronic goods.

This appliance requires specialist waste disposal. For further information regarding the treatment, recovery and recycling of this product please contact your local council, your household waste disposal service, or the shop where you purchased it.

Par l'apposition du logo CE  sur ce produit, nous déclarons, sur notre propre responsabilité, que ce produit répond à toutes les normes de sécurité, de santé et d'environnement requises par la législation européenne.

Selon le cas, les pièces de cet appareil sont conformes à :  
RÈGLEMENT (CE) N° 1935/2004 pour tous les matériaux destinés à entrer en contact avec des denrées alimentaires.

## Sécurité et entretien

- **AVERTISSEMENT:** L'appareil et les parties accessibles deviennent chauds pendant l'utilisation. Des précautions doivent être prises pour éviter de toucher les éléments chauffants.
- Les enfants de moins de 8 ans doivent être tenus à l'écart à moins d'être surveillés continuellement.
- Cet appareil n'est pas destiné à être utilisé par des personnes (y compris les enfants) dont les capacités physiques, sensorielles ou mentales sont réduites, ou ayant un manque d'expérience et de connaissances, à moins qu'elles n'aient été formées à l'utilisation de l'appareil, par une personne responsable de leur sécurité.
- Les enfants ne doivent jouer avec l'appareil.
- Le nettoyage et l'entretien par l'utilisateur ne doit pas être fait par des enfants sans surveillance
- **ATTENTION:** La cuisson sans surveillance sur une plaque de cuisson avec de la graisse ou d'huile peut être dangereuse et peut entraîner un incendie.  
Ne jamais tenter d'éteindre un incendie avec de l'eau, mais éteindre l'appareil, puis couvrir la flamme par exemple avec un couvercle ou une couverture anti - feu.
- **AVERTISSEMENT:** Danger d'incendie: ne pas stocker des éléments sur les surfaces de cuisson.

- **ATTENTION:** Si la surface est fêlée, éteindre l'appareil pour éviter les risques de choc électrique.
- Ne pas utiliser de nettoyeurs vapeur pour le nettoyage.
- Les objets métalliques tels que les couteaux, les fourchettes, les cuillères et les couvercles ne doivent pas être mis sur la table de cuisson car ils peuvent devenir chaudes.
- Tout liquide doit être enlevé du couvercle avant ouverture. Il est recommandé de laisser refroidir la table de cuisson avant de refermer le couvercle.
- Après utilisation, éteignez le foyer via le contrôle de la table et ne posez rien sur le détecteur de casseroles.
- L'appareil n'est pas destiné à être utilisé avec une minuterie externe ou un système de contrôle à distance.
- Un système de déconnexion doit être incorporé dans le compteur conformément aux règles de câblage.
- Les instructions indiquent le type de cordon à utiliser, en tenant compte de la température de la surface arrière de l'appareil.
- Si le cordon d'alimentation est endommagé, il doit être remplacé par le fabricant, une station de dépannage agréée ou une personne qualifiée afin d'éviter un danger.
- **ATTENTION:** Pour éviter tout danger dû à une réinitialisation accidentelle, cet appareil ne doit pas être alimenté par un dispositif de commutation externe, comme une minuterie, ou connecté à un circuit qui est régulièrement allumé et éteint par l'utilitaire.

- Les moyens de déconnexion doivent être incorporés dans le câblage fixe conformément aux règles de câblage.
- Les instructions précisent le type de câble à utiliser, en tenant compte de la température de la surface arrière de l'appareil.
- **AVERTISSEMENT** : utilisez uniquement un dispositif de protection de votre table de cuisson conçu par le fabricant de votre appareil ou un dispositif indiqué par celui-ci comme étant compatible ou bien utilisez le dispositif de protection fourni avec l'appareil. L'utilisation d'un dispositif de protection non approprié peut provoquer des accidents.
  - Utilisez toujours des ustensiles de cuisine adéquats.
  - Placez toujours votre casserole au centre du foyer que vous utilisez.
  - Ne posez jamais d'objet sur le panneau de commande.
  - N'utilisez jamais la surface de la table de cuisson comme planche à découper.
  - Laissez refroidir la table de cuisson avant de fermer le couvercle.
  - **ATTENTION** : la cuisson doit être surveillée. Les cuissons de courte durée doivent être surveillées en permanence.



## Cher Client,

ThaNous vous remercions de nous avoir fait confiance pour l'achat de cette table induction CANDY, un produit étudié pour vous satisfaire et répondre à vos exigences. Lisez attentivement ce mode d'emploi avant toute utilisation et conservez-le soigneusement de façon à pouvoir le consulter ultérieurement en cas de besoin.

## Introduction

La table de cuisson induction est un appareil moderne, sûr et performant qui procure d'excellents résultats pour tous les types de cuisson grâce à l'énergie électromagnétique et un système de commande électronique.

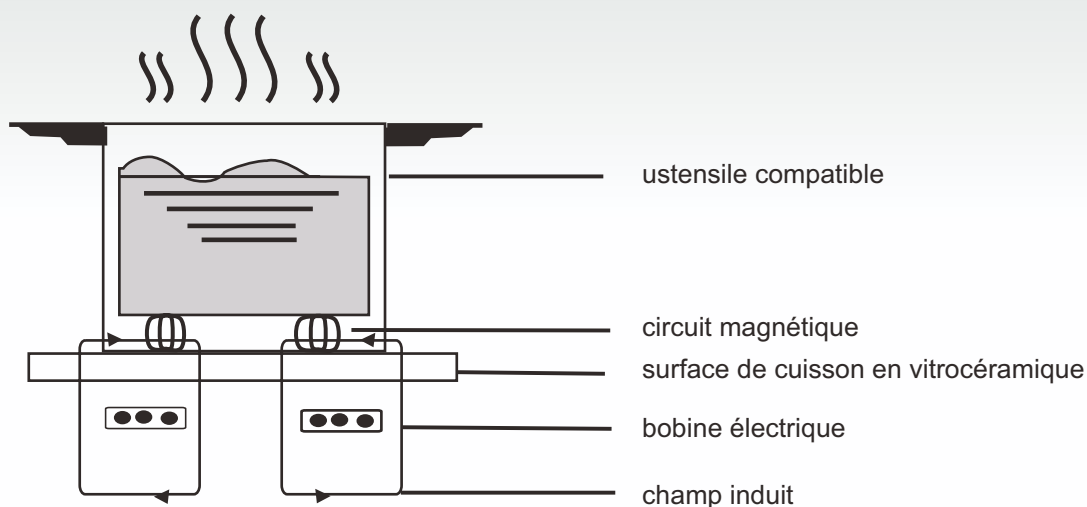
Lors de sa conception, nous avons apporté une attention particulière à la simplicité d'utilisation et à la fiabilité de cette table de cuisson.

## Fonctionnement

La table induction comprend une bobine électrique, une plaque en matériau ferromagnétique et un système de commande.

Le courant électrique génère un champ électro-magnétique au contact duquel un récipient qui contient du fer se met à chauffer.

Avec l'induction, c'est donc le fond de la casserole qui chauffe directement les aliments à cuire. C'est donc plus rapide et plus économique.



## Sécurité

Nous avons conçu cette table de cuisson pour un usage domestique.

Comme nous veillons à améliorer nos produits, nous nous réservons le droit d'apporter des modifications qui suivraient d'éventuelles nouvelles avancées techniques.

### ● Protection anti-surchauffe

Un capteur contrôle la température à l'intérieur de la table de cuisson. S'il relève une chaleur excessive, la table de cuisson s'éteindra automatiquement.

### ● Signalisation d'objets en contact avec la table de cuisson

Si vous posez, sur la table de cuisson, un ustensile dont le diamètre serait inférieur à 80 mm ou qui ne serait pas compatible (comme par exemple les casseroles en aluminium ou en verre) ou encore, si vous laissez des couteaux, des fourchettes, des pinces ou des clés, un signal sonore se déclenchera automatiquement et retentira pendant environ une minute. Ce signal vous indiquera que la table ne fonctionne pas et qu'elle se mettra automatiquement en veille.

### ● Indication de chaleur

Lorsque l'utilisation de la table de cuisson se prolonge dans le temps, la température de la zone de cuisson s'élève. Dans ce cas, le témoin lumineux "H" s'allume, vous avertissant ainsi de vous en tenir éloigné.

### ● Sécurité extinction automatique

L'extinction automatique est une fonction de sécurité de votre table induction. Elle s'éteint automatiquement si vous l'oubliez alors qu'elle est en marche. L'extinction automatique dépend du niveau d'intensité utilisé, comme le montre le tableau ci-dessous:

Niveau d'intensité	La zone de cuisson s'éteint automatiquement après
1~3	8 heures
4~6	4 heures
7~9	2 heures

En fin de cuisson, lorsque vous déplacez la casserole, la table de cuisson ne chauffe plus et s'éteint après un signal sonore d'une minute.

## ATTENTION:

**les personnes portant un pacemaker ne peuvent utiliser cet appareil électroménager que sous le contrôle de leur médecin.**

## Installation

### Modalités d'installation

1. Découper une ouverture sur le plan de travail aux dimensions spécifiées sur le schéma. Pour pouvoir l'installer correctement, vous devez disposer d'un espace d'au moins 50 mm entre le bord de la découpe et le mur et/ou les meubles. S'assurer que l'épaisseur du plan de travail soit d'au moins 30 mm et que le matériau dont il est fait soit résistant aux hautes températures afin d'éviter qu'il ne se déforme à cause de la chaleur provenant de la table de cuisson (figure 1).

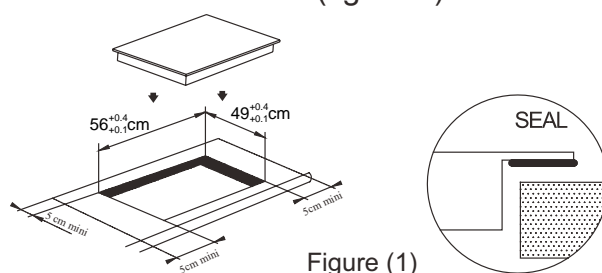
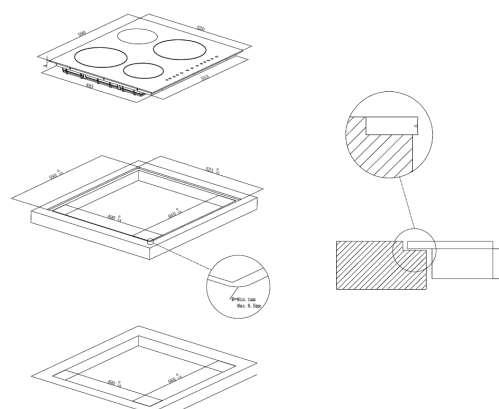


Figure (1)



Installation affleurante: possible uniquement si le four n'est pas installé sous le comptoir

2. Toujours s'assurer que la table de cuisson électrique est bien encastrée dans le plan de travail et qu'elle est bien ventilée par de l'air entrant et sortant. (figure 2).

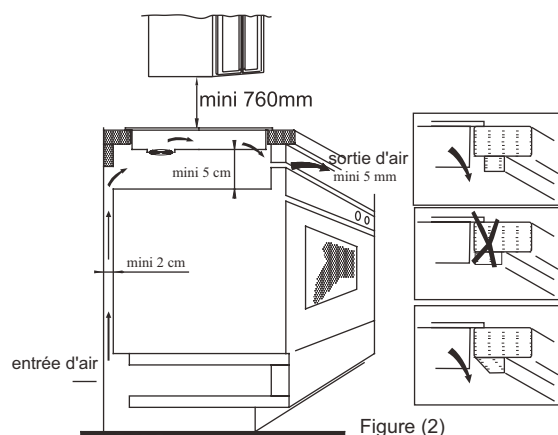
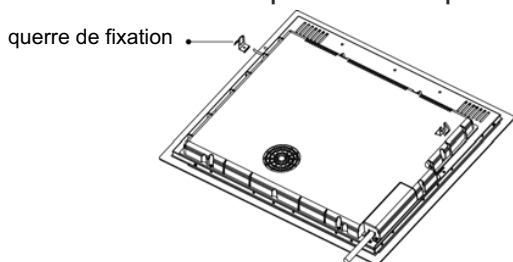


Figure (2)

**Attention:** il doit y avoir un espace d'au moins 760 mm entre la table de cuisson et le bas des meubles suspendus se trouvant au-dessus de la table.

- Après avoir positionné la table de cuisson, la fixer au plan de travail avec 4 vis (comme indiqué sur la figure). Puis ajuster chaque vis en fonction de l'épaisseur du plan de travail.



### Recommandations

- La table de cuisson électrique doit être installée par un personnel technique qualifié. Ne pas procéder seul à l'installation.
- La table de cuisson électrique ne doit pas être installée sur un réfrigérateur, un lave-vaisselle ou un lave-linge.
- La table de cuisson électrique doit être installée de façon à pouvoir garantir sa fiabilité.
- La paroi et la zone au-dessous de la table de cuisson électrique doivent résister à la chaleur.

Le joint qui entoure la table de cuisson doit être résistant à la chaleur.

### 4. Schéma des branchements électriques

La prise électrique doit être branchée selon la réglementation en vigueur, en fonction du voltage et de la fréquence utilisés, à un interrupteur. Les modalités de raccordement sont indiquées figure 3:

Tension	Liaison par fil				
380-415V 3N~	1 L1	2 L2	3	4 N	5 ⏏
	Noir	Marron		Bleu	Jaune/Vert
220-240V~	1	2 L	3	4 N	5 ⏏
	Noir & Marron		Bleu	Jaune/Vert	

Figure (3)

Si le cordon d'alimentation est endommagé, il ne doit être remplacé que par un personnel spécialisé afin d'éviter les accidents.

Si l'installation est directement raccordée au circuit principal, installer un disjoncteur différentiel

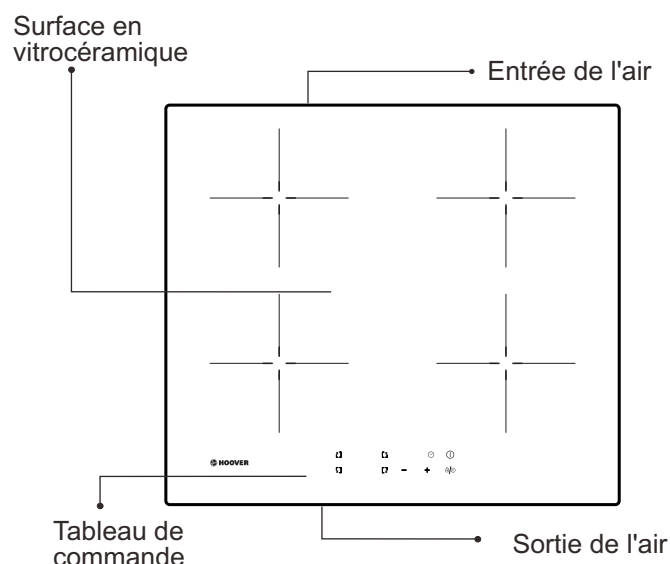
ou un circuit de sécurité avec une ouverture de contact d'au moins 3 mm.

L'installateur doit s'assurer que le branchement électrique soit bien fait et que l'installation soit conforme aux normes de sécurité.

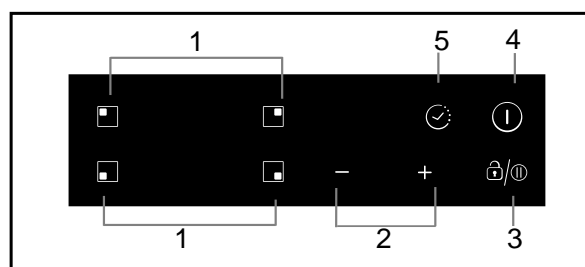
Le cordon d'alimentation ne doit être ni plié ni écrasé.

Le cordon d'alimentation doit être régulièrement contrôlé et remplacé uniquement par un personnel autorisé.

### Description de la table de cuisson électrique



### Diagramme schématique du tableau de commande



- Touches de sélection du foyer
- Touche de réglage de la cuisson et du temporisateur
- Touche de verrouillage/fonction pause
- Touche marche/arrêt
- Touche du temporisateur

## Mode d'emploi

### Avant l'utilisation:

Juste après l'allumage, la table de cuisson émet un signal sonore, tous les voyants clignotent pendant une seconde, signalant ainsi que la table de cuisson est en veille.

**Placer la casserole sur la zone de cuisson choisie.**



Mode de fonctionnement:

Après avoir appuyé sur la touche "ON/OFF", tous les voyants affichent le symbole "-".

Sélectionner la zone de cuisson sur laquelle se trouve la casserole; le voyant de niveau de puissance de la zone choisie clignotera. Appuyer alors sur les touches "+" ou "-", l'afficheur indique 5, c'est le réglage standard; régler avec les touches "+" ou "-" pour obtenir le niveau d'intensité souhaité. En appuyant simultanément sur la touche "+" et sur la touche "-", les réglages précédents sont remis à zéro et la zone de cuisson s'éteint.

Se référer au tableau de la page 14 pour prendre connaissance de la puissance spécifique de chaque foyer.

**Remarque:** après avoir appuyé sur la touche "ON/OFF", la table de cuisson électrique reste en veille si aucune opération n'est effectuée dans les 1 minute suivantes.



### Fonction MINUTEUR



Après avoir appuyé sur la touche MINUTEUR (TIMER), le voyant de l'afficheur clignote et il est donc possible de programmer le temps. Avec les touches "+" ou "-", il est possible de programmer le temps de 1 à 99 minutes. En appuyant sur la touche "+" la durée augmente en partant de 1; en appuyant sur la touche "-" la durée part de 1 et diminue; lorsque le temps dépasse les 99 minutes, le minuteur se remet automatiquement sur 0. En appuyant simultanément sur les touches "+" et "-" l'afficheur se remet à 0.



### Confirmation de la fonction MINUTEUR

1. Sélectionner la puissance de la zone de cuisson désirée, appuyer sur la touche "minuteur" et programmer le temps.
2. Le temps sélectionné est automatiquement enregistré lorsque le minuteur aura clignoté pendant environ 5 secondes.
3. Après avoir programmé le temps, appuyer sur la touche "MINUTEUR" pour vérifier le réglage choisi.
4. Une fois que le « minuteur » est confirmé, un point s'affiche en bas à droite du niveau de cuisson de la zone sélectionnée."

### Annuler la fonction MINUTEUR

Appuyer sur la touche "minuteur" pendant 5 secondes pour annuler la fonction précédemment choisie. L'afficheur indiquera 0.

### Sécurité enfants / Verrouillage des commandes

Pour assurer la sécurité des enfants, la table induction est équipée d'un système de verrouillage des commandes.

Pour bloquer : appuyer sur la touche "verrouillage" ; la table passe en mode "verrouillage" , le minuteur affiche "Lo" et les commandes sont bloquées à l'exception de la touche "ON/OFF".

### Débloccage

Appuyer sur la touche "verrouillage" pendant 2 secondes et la table revient en mode de fonctionnement normal.



## Mode boost

Appuyez sur la touche de sélection de la zone de cuisson, puis sur la touche « + ». Vérifiez que « 9 » s'affiche.

Appuyez à nouveau sur la touche « + » : « b » s'affiche sur le témoin de la zone de cuisson et le niveau de chauffe atteint son maximum



## Désactivation du mode « boost »

Appuyez sur la touche « - » pour désactiver la fonction « boost » : la zone de cuisson revient à son réglage de départ.

Appuyez simultanément sur les touches « + » et « - ». La zone de cuisson s'éteint et la fonction « boost » est automatiquement désactivée.



- La zone de cuisson revient à son réglage de départ au bout de 5 minutes



Remarque : il est conseillé d'allumer la hotte d'aspiration quelques minutes avant de cuisiner et de l'éteindre quelques minutes après la fin de la cuisson.

## Mode pause

- Vous pouvez mettre la cuisson en pause au lieu d'éteindre la table de cuisson.
- En activant le mode pause, toutes les touches sont désactivées, sauf la touche marche/arrêt.

Activation du mode pause	
Appuyez sur la touche de verrouillage/pause.	Tous les témoins affichent « 11 »
Déverrouillage des touches de commande	
Appuyez sur la touche de verrouillage/pause.	



Quand la table de cuisson est en mode pause, toutes les touches de commande sont désactivées, sauf la touche marche/arrêt  et vous pouvez toujours éteindre la plaque à induction à l'aide de la touche marche/arrêt , en cas d'urgence.

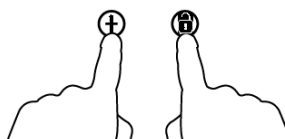
## Fonction réglage de la puissance

- il est possible de régler un niveau de puissance maximum de la table à induction, en choisissant entre deux gammes de puissance différentes.
- les tables à induction peuvent s'autolimiter pour chauffer à un niveau de puissance moindre et éviter tout risque de surcharge.

### Activation de la fonction réglage de la puissance

Allumez la table de cuisson, puis appuyez simultanément sur la touche « + » (temporisateur) et la touche de

verrouillage.



Le témoin du temporisateur affiche « P5 », ce qui indique le niveau de chauffe 5. Ce mode est réglé par défaut sur 7,0Kw/ 7,1Kw.

### Réglage à un niveau différent

Appuyez sur les touches « + » et « - » du temporisateur Il y a 5 niveaux différents de puissance possibles, allant de « P1 » à « P5 ». Le témoin du temporisateur indique l'un de ces niveaux.

« P1 » : le niveau de chauffe maximum est égale à 2,5Kw.

« P2 » : le niveau de chauffe maximum est égale à 3,5Kw.

Le témoin du temporisateur affiche « P5 », ce qui indique le niveau de chauffe 5. Ce mode est réglé par défaut sur 7,0Kw/ 7,1Kw.

« P3 » : le niveau de chauffe maximum est égale à 4,5Kw.

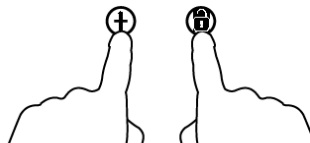
« P4 » : le niveau de chauffe maximum est égale à 5,5Kw.

« P5 » : le niveau de chauffe maximum est égale à 7,0Kw/ 7,1Kw.



### Confirmation et fonction de réglage de la puissance

Appuyez simultanément sur la touche « + » (temporisateur) et la touche de verrouillage pour confirmer.



La table de cuisson s'éteint.

## Sélection de batterie de cuisine pour la cuisson



poêle en fer pour la friture



casserole en acier inoxydable



casserole en fer



poêle en fer



bouilloire en acier  
inoxydable émaillé



casserole émaillée



plat en fer

- 1 Il existe de nombreux ustensiles adaptés à la cuisson sur des tables électriques. Cette table de cuisson est en mesure de les identifier et de les tester, en appliquant une des méthodes suivantes:
  - positionner la casserole sur une zone de cuisson. Si sur l'indicateur de cette zone de cuisson apparaît un niveau de puissance, la casserole est adaptée; si, au contraire, c'est le symbole "U" qui apparaît, c'est que la casserole n'est pas adaptée à la cuisson électrique.
- 2 Passer un aimant sur la casserole: s'il est attiré par la casserole, c'est qu'elle est adaptée à la cuisson à induction.
  - La casserole: le dessous doit contenir des matériaux qui permettent la conduction magnétique.
  - La forme de la casserole: le diamètre doit être supérieur à 14 cm.
- 3 Les foyers inductions sont auto-dimensionnants. Mais pour générer la puissance maximale, nous vous recommandons d'utiliser des casseroles qui couvrent le dessin de la zone. Ainsi, l'idéal est d'utiliser une casserole légèrement plus grande que le dessin afin d'obtenir le meilleur rendement.
 

Si vous utilisez une casserole plus petite que la zone, la puissance obtenue sera moindre. Il est donc important de toujours choisir le foyer le plus adapté à la taille de la casserole. A noter que les casseroles d'un diamètre inférieur à 140mm risquent, elles, de ne pas être détectées par le foyer induction.

## Nettoyage et entretien

La surface la table de cuisson peut être nettoyée comme indiqué ci-dessous:

Niveau de salissure	Comment nettoyer	Accessoire à utiliser pour le nettoyage
peu sale	avec de l'eau chaude; puis essuyer	éponge
très sale	avec de l'eau chaude et laver avec une éponge abrasive spéciale pour revêtement vitrocéramique	éponge spéciale pour revêtement vitrocéramique
résidus	verser du vinaigre blanc sur les résidus et nettoyer avec un linge doux	Produits spéciaux pour revêtement vitrocéramique
sucre fondu avec du plastique ou de l'aluminium	Pour enlever les résidus, utiliser un racloir pour revêtement vitrocéramique (pour protéger le verre, il est préférable d'utiliser un produit à base de silicone). Le sucre se retire à chaud. Attention de ne pas vous brûler.	Produits spéciaux pour revêtement vitrocéramique

**Remarque: débrancher l'appareil électroménager avant de le nettoyer.**

## Signalisation de pannes et solutions

Si une anomalie se produit, la table induction déclenche automatiquement un mode protection et les codes suivants apparaissent sur l'afficheur:

Problème	Causes probables	Solution
F0/F1/F2	ventilateur endommagé	contacter le fournisseur
F3-F8	capteur de température endommagé	contacter le fournisseur
E1/E2	tension électrique anormale	vérifier que l'appareil est sous tension. Après cette vérification, allumer, à nouveau, l'appareil
E3/E4	température anormale	vérifier la casserole
E5/E6	rayonnement de la chaleur insuffisant	après son refroidissement, allumer à nouveau l'appareil

Ceci est une liste des pannes les plus courantes.  
Ne pas démonter la table de cuisson électrique seul afin d'éviter tout risque ou même de provoquer des dégâts plus importants.

## Service Après-Vente

Si l'appareil électroménager ne fonctionne pas bien, avant de contacter le service après-vente, nous vous conseillons de:

- vérifier que la fiche est correctement insérée dans la prise électrique.
- Lire le tableau de signalisation des pannes page 11.

Si, après ces vérifications, le problème persiste, éteindre l'appareil, ne pas le démonter et appeler le Service Après-Vente.



## Note spéciale

Tous les contenus de ce mode d'emploi ont été attentivement contrôlés. Candy ne peut être tenu pour responsable d'erreur d'impression ou d'omission.

En outre, d'éventuelles modifications techniques peuvent être apportées, sans avertissement, lors d'une révision du manuel. L'apparence du produit dans le manuel révisé peut alors différer du model actuel.




ATTENTION: ne pas mettre au rebut ce produit avec les déchets ménagers. Il doit être éliminé séparément.

Cet appareil électroménager est produit conformément à la Directive Européenne 2012/19/CE concernant la mise au rebut de déchets d'équipements électriques et électroniques

Le fait que cet article ait été réalisé en conformité avec les normes en vigueur, contribue à prévenir toute conséquence nuisible pour l'environnement et la santé, la simple mise au rebut de cet appareil provoquerait en revanche de graves dommages.

Ce symbole indique que ce produit ne peut en aucun cas être traité comme un déchet ménager, il doit être remis à un centre de collecte chargé du recyclage des équipements électriques et électroniques.

**Pour obtenir de plus amples détails au sujet du traitement, de l'élimination et du recyclage de cet appareil, contacter le service local de collecte des déchets ou bien s'adresser au magasin dans lequel l'article a été acheté.**

Umístěním označení (  ) na tomto výrobku prohlašujeme na svou odpovědnost dodržování všech evropských bezpečnostních, zdravotních a environmentálních požadavků stanovených v právních předpisech pro tento produkt.

Součásti tohoto spotřebiče jsou případně v souladu s:  
NAŘÍZENÍM (ES) č. 1935/2004 o materiálech a předmětech určených pro styk s potravinami.

## Bezpečnost a údržba

- **UPOZORNĚNÍ:** Spotřebič a jeho přístupné části se během použití zahřívají. Nedotýkejte se topných prvků.
- Děti do 8 let držte mimo dosah spotřebiče, pokud nejsou neustále pod dohledem.
- Tento spotřebič smí používat děti starší 8 let a osoby se sníženými fyzickými, senzorickými nebo mentálními schopnostmi nebo bez dostatečných zkušeností, pokud jsou pod dohledem a byly poučeny o použití spotřebiče a možném riziku.
- Nedovolte dětem hrát si se spotřebičem.  
Čištění a údržbu nesmí provádět děti bez dohledu.
- **UPOZORNĚNÍ:** Vaření na desce s tuky a oleji bez dohledu je nebezpečné a může způsobit požár.
- **NIKDY** se nepokoušejte uhasit plamen vodou, vypněte spotřebič a poté překryjte plamen pokličkou nebo protipožární přikrývkou.
- **UPOZORNĚNÍ:** Riziko požáru: neskladujte žádné předměty na varné desce.

- **UPOZORNĚNÍ:** Pokud je povrch varné desky prasklý, spotřebič vypněte, abyste zabránili riziku zasažení elektrickým proudem.
- K čištění nepoužívejte vysokotlaké parní čističe
- Kovové předměty jako jsou nože, vidličky, lžíce a pokličky nedávejte na varnou desku, neboť se mohou ohřát.
- Nečistoty z krytu odstraňte před otevřením.
- Varnou desku nechte před zavřením krytu vychladnout.
- Po použití vypněte varnou zónu a nenechávejte nádobí na detektoru nádobí.
- Spotřebič nesmíte ovládat pomocí externího časovače nebo samostatného dálkového ovládání.
- Odpojovací zařízení musí být včleněno do napájení v souladu s platnými předpisy.
- Pokyny uvádějí typ kabelu, s ohledem na teplotu zadní strany spotřebiče.
- Pokud je poškozený přívodní kabel, musí jej vyměnit výrobce, servisní technik nebo podobně kvalifikovaná osoba, aby se zabránilo možnému nebezpečí.
- **UPOZORNĚNÍ:** abyste zabránili nebezpečí z neúmyslného resetování tepelné pojistky, tento spotřebič nesmíte napájet přes externí spínací zařízení, jako je časovač, nebo připojovat k obvodu, který se pravidelně zapíná a vypíná elektrikářskou službou.

- Prostředky pro odpojení musejí být zabudovány do pevných vodičů v souladu s pravidly elektroinstalace.
- Pokyny uvádějí typ kabelu, který se má používat, s přihlédnutím k teplotě zadního povrchu spotřebiče.
- **VAROVÁNÍ:** Používejte pouze víka pro varné desky navržená výrobcem varného spotřebiče nebo označené výrobcem spotřebiče v návodu k použití jako vhodné víko varné desky nebo víka pro varné desky zabudovaná do spotřebiče. Použití nevhodných ochranných vík může způsobit nehody.
  - Vždy používejte odpovídající nádobí.
  - Vždy umístěte nádobu doprostřed použité varné zóny.
  - Na ovládací panel nic nepokládejte.
  - Nepoužívejte varnou desku jako krájecí plochu.
  - Povrch varné desky musí být před zavřením víka vychladlý.
  - **UPOZORNĚNÍ:** Vaření se musí sledovat. Na krátký proces vaření je nutné dohlížet neustále.

**Vážený zákazníku,**

chceme Vám poděkovat za to, že jste rozhodl pro koupi indukční varné desky značky CANDY, výrobku, který zcela určitě uspokojí Vaše potřeby po dlouhou řadu let.

Před zahájením provozu přečtěte prosím pozorně tento návod k použití a poté jej pečlivě uschovejte pro další potřeby.

**Úvod**

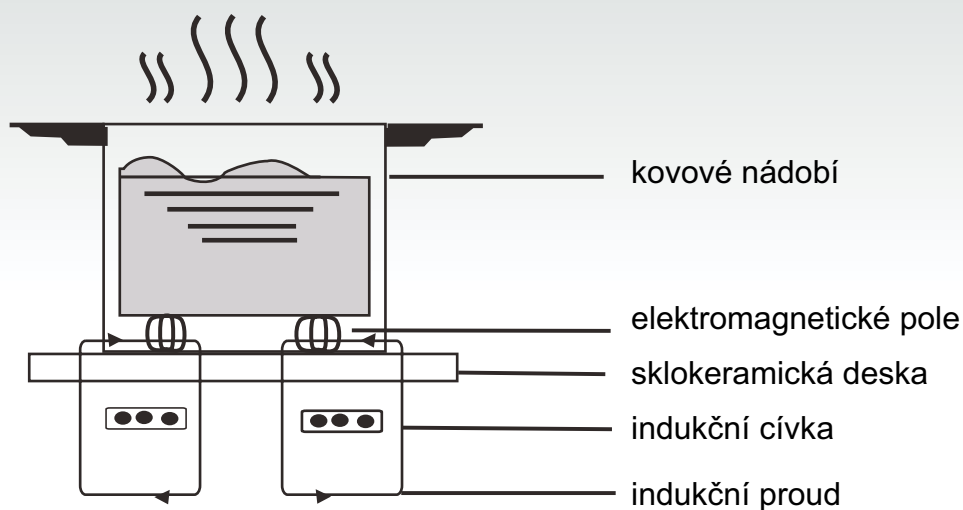
The vestavná indukční varná deska, je schopna splnit většinu požadavků, které vyžaduje moderní vaření s použitím elektromagnetického zahřívání.

Svým multifunkčním vybavením a mikropočítačově řízenými ovladači představuje optimální volbu pro moderní rodinu.

Je vyrobena ze speciálních materiálů za použití moderních technologií, díky nimž je varná deska Candy výjimečně uživatelsky přívětivá, spolehlivá a bezpečná.

**Princip chodu**

Indukční varná deska se skládá z elektrické cívky, z ferromagnetického jádra a z kontrolního systému. Elektrický proud vytváří kolem cívky silné elektromagnetické pole. Díky tomu dochází k vytváření série elektromagnetických vln, následně přeměněných na teplo, které je skrze varnou zónu předáváno na dno varné nádoby.



## Bezpečnost

Tato varná deska byla vyvinuta pro domácí použití. Výrobce si vyhrazuje právo provedení technických úprav, úprav vzhledu či programů, v souvislosti s neustálým technickým vývojem.

### ● Ochrana proti přehřátí

Teplota varných zón je kontrolována pomocí čidlem. Pokud je zjištěno překročení bezpečné teploty, varná zóna je automaticky vypnuta.

### ● Signalizace malých nebo ne-magnetických předmětů

Pokud je na varnou desku položen hrnec o průměru menším než 80 mm, nebo nějaký malý předmět (např. nůž, vidlička, klíč), anebo ne-magnetický předmět, (např. hliníkový hrnec), je automaticky vydáván zvukový signál po dobu zhruba 1 minuty, poté je deska automaticky přepnuta do pohotovostního stavu (standby).

### ● Signalizace zbytkového tepla

Pokud byla varná deska v provozu, i po jejím vypnutí zůstává zbytkové teplo z varné zóny. Rozsvítí se kontrolka "H" varující před dotýkáním se horké desky.

### ● Automatické vypnutí

Dalším bezpečnostním prvkem desky je její automatické vypnutí. Automaticky vypne desku v případě, že spotřebič zůstane omylem zapnutý. Automatické vypnutí varné desky závisí na používaném stupni intenzity a je znázorněno v následující tabulce:

Stupeň intenzity	Spotřebič se automaticky vypne po uplynutí
1-3	8 hodin
4-6	4 hodin
7-9	2 hodin

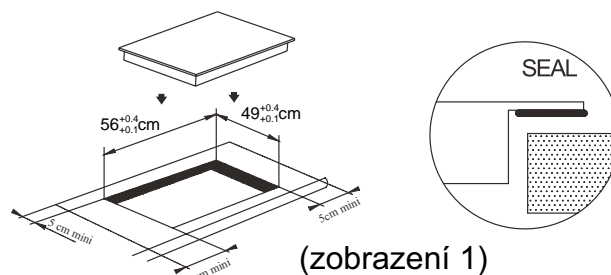
Po odstavení varné nádoby ze zapnuté varné zóny, přestane zóna okamžitě hřát a po ukončení zvukového signálu, který trvá 1 minutu, se automaticky vypne.

### Upozornění:

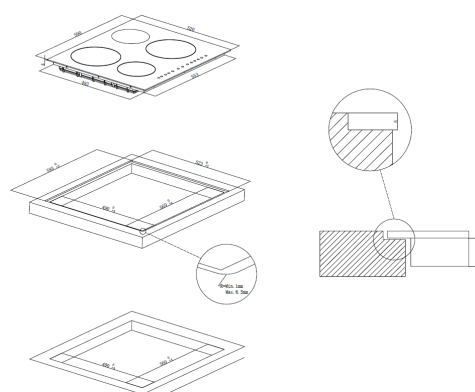
Osoby s kardiostimulátorem mohou používat tento spotřebič pouze po konzultaci se svým lékařem.

## Postup při instalaci

- Podle rozměrů, které jsou uvedeny na výkresu, vyvrtejte do pracovní desky otvory. K provedení správné instalace musí být okolo otvoru zachován volný prostor alespoň 50 mm. Zkontrolujte kvalitu a výšku pracovní desky, která musí mít alespoň 30 mm a být vyrobena z teplotně odolného materiálu, aby se předešlo možnosti deformace následkem horka, které vytváří varná deska během svého provozu. (zobrazení 1).

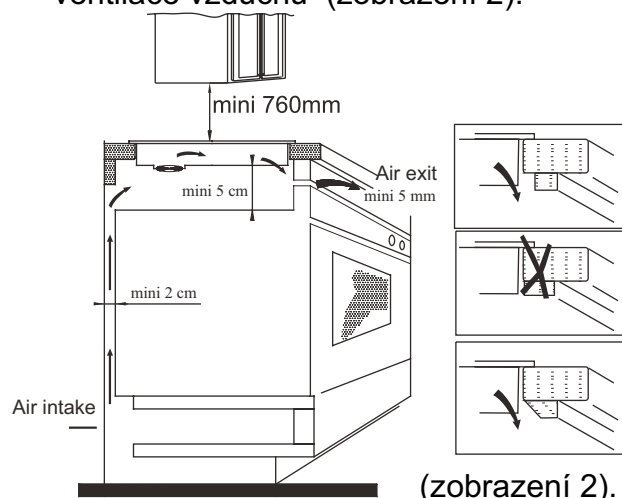


(zobrazení 1)



Zapuštěná instalace: lze provést pouze v případě, že trouba není instalována pod přepážkou

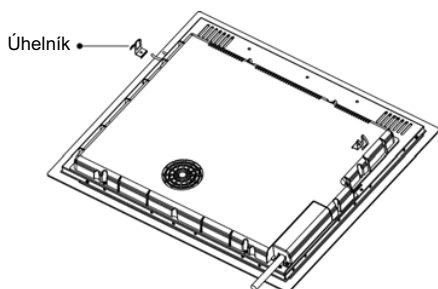
- Je nutné zkontrolovat, zda je indukční varná deska pevně uchycena na pracovní a zda je zajištěna dobrá ventilace vzduchu (zobrazení 2).



(zobrazení 2)

**Poznámka:** mezi varnou deskou a nábytkem, který se případně nachází nad ní, musí být zachován prostor alespoň 760 mm.

- Po uložení varné desky na zvolené místo je třeba ji uchytit k pracovní ploše pomocí čtyř kovových úchytů na základně desky. Každý úchyt je možné nastavit dle hloubky pracovní desky.



**Upozornění:**

- Instalaci indukční varné desky smí provádět pouze odborně kvalifikovaný technik. Neprovádějte instalaci sami.
- Indukční varná deska nesmí být instalována nad chladničkou, myčkou, pračkou nebo sušičkou.
- Indukční varná deska musí být namontována takovým způsobem, který zaručí optimální odvod tepla.
- Stěny i části, které se nacházejí pod indukční varnou deskou, musejí být odolné proti horku.
- Vrstva materiálu mezi varnou deskou a pracovní deskou a použitá lepicí hmota musí být odolná proti vysokým teplotám. Takto předejdete případným škodám.

**4. Schéma připojení elektrického proudu**

Připojení k přívodu zdroje elektrického proudu musí být provedeno odborně kvalifikovaným technikem, a to v souladu s obecně platnými bezpečnostními předpisy. Způsoby pro připojení jsou znázorněny na vyobrazení č. 3.

Napětí	Zapojení vodiče				
380-415V 3N~	1 • L1	2 • L2	3 •	4 • N	5 • ⏏
	Černý	Hnědý		Modrý	Žlutý/zelený
220-240V~	1 •	2 • L	3 •	4 • N	5 • ⏏
	černý a	Hnědý		Modrý	Žlutý/zelený

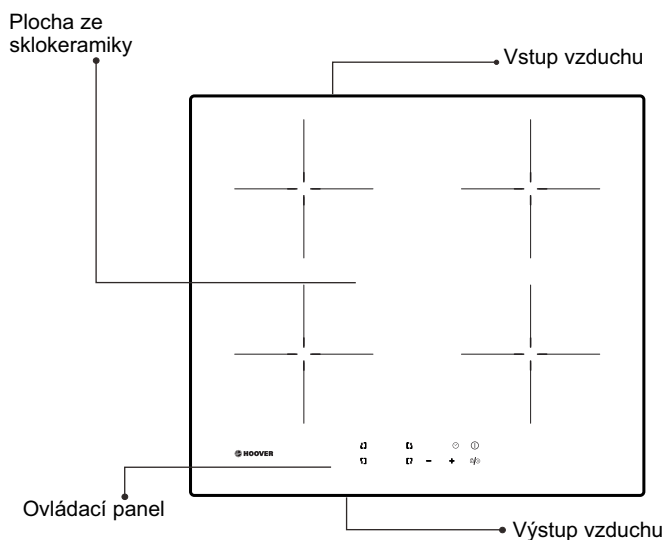
Zkontrolujte, zda je elektrické vedení je opatřeno zemnicím vodičem, v souladu s platnými předpisy a normami. Uzemnění je povinné.

Výrobce nenese žádnou zodpovědnost za případné škody v případě, že není respektováno toto nařízení.

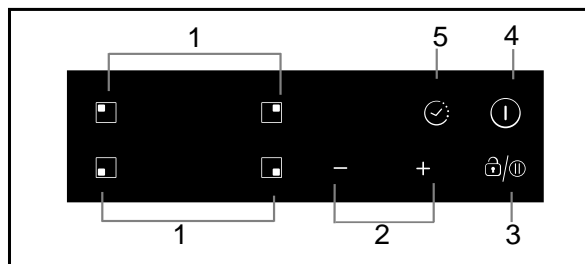
Pokud není na spotřebiči namontována zástrčka, je třeba namontovat normalizovanou zástrčku na přívodní kabel, která je vhodná pro uvedenou zátěž napětí na štítku spotřebiče.

V případě, že je požadováno trvalé připojení k síti, je třeba vložit mezi spotřebič a elektrický omnipolární spínač se vzdáleností mezi kontakty alespoň 3 mm. Dojde-li k poškození přívodní šňůry, je nutné neprodleně provést její výměnu kvalifikovaným technikem. Přívodní šňůra nesmí být stlačena ani zpřehýbaná.

**Nákres indukční varné desky**



**Schéma ovládacího panelu**



- Ovladače volby varné zóny
- Tlačítko regulace napájení/časovače
- Ovladač Pauza/Zablokování
- Ovladač ZAP/VYP
- Ovladač časovače

## Návod k používání

### Příprava před použitím:

Ihned po zapnutí vydá varná deska zvukový signál, všechny světelné kontrolky se rozsvítí po dobu 1 vteřiny, tím signalizují, že varná deska se nachází v pohotovém stavu (stand by).

Postavte varnou nádobu na zvolenou zónu.

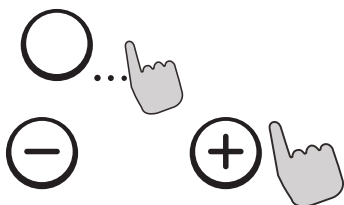


### Pokyny pro správný provoz

Poté co bylo stisknuto tlačítko "ON/OFF", začnou všechny kontrolky signalizovat symbol "-". Zvolte úroveň výkonu pro danou zónu stiskem "+" nebo "-". Na začátku je zobrazen stupeň 5 jako standardní nastavení. Nastavte větší nebo nižší výkon stiskem tlačítka "+" nebo "-". Současným stisknutím tlačítek "+" a "-" se vynulují předešlé naprogramované hodnoty a varná zóna se vypne.

Tabulka na str. 22 znázorňuje stupeň výkonu pro každou z varných zón.

**Poznámka:** Po stisknutí tlačítka "ON/OFF" zůstane indukční varná deska v pohotovém režimu standby, pokud není proveden do 1 minut jiný příkaz.



### Funkce Timer

Po stisknutí tlačítka "Timer" začne na displeji blikat světelná kontrolka.

Poté je možné stiskem tlačítek "+" nebo "-" nastavit čas mezi hodnotami 1 až 99 minut. Stisknutím tlačítka "+" se nastavení hodnoty zvyšuje o 1 minutu, po každém stisknutí tlačítka "-", se hodnota snižuje o 1 minutu. Jakmile převýší nastavovaný čas hodnotu 99 minut, timer se automaticky vrátí na hodnotu 0. Při současném stisknutí tlačítek "+" a "-" se displej vrátí na hodnotu 0.

### Potvrzení funkce Timer



1. Nastavte požadovaný výkon pro zvolenou varnou zónu a stiskněte tlačítko "Timer". Nyní je možné nastavit potřebný čas.
2. Poté, co timer blikal po dobu 5 vteřin, je nastavený čas automaticky potvrzen.
3. Po nastavení času stiskněte tlačítko "Timer" pro potvrzení.
4. Po potvrzení "Časovače" se v pravé dolní části úrovně výkonu zvolené zóny zobrazí tečka.

### Vynulování funkce Timer

Pro vymazání předtím nastavené funkce stiskněte tlačítko "Timer" po dobu 5 vteřin. Tím je zrušena funkce Timer a displej se vrátí na hodnotu 0.

### Bezpečnostní režim

Pro zajištění bezpečnosti dětí je indukční deska osazená zařízením interlock.

Pro uzamčení: stiskněte tlačítko 'Interlock', deska se poté přepne do režimu 'interlock', časovač ukazuje "Lo" a zbývající tlačítka jsou nefunkční s výjimkou tlačítka "Vypnuto/Zapnuto" ("ON/OFF").

### Odblokování:

Držte stisknuté tlačítko "Interlock" po dobu 2 sekund a deska se vrátí do normálního režimu.

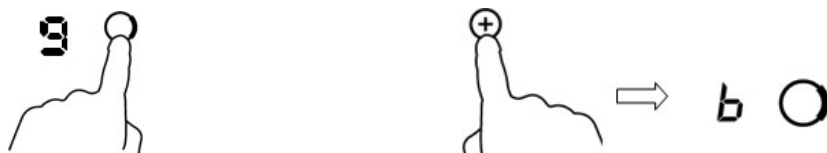




## Režim zesilovače výkonu Boost

Dotkněte se ovladače pro výběr zóny ohřevu a potom se dotkněte tlačítka "+". Ujistěte se, že se na displeji zobrazuje "9".

Opětovným dotykem tlačítka "+" zobrazí ukazatel zóny "b" a výkon dosáhne maxima.



## Vypnutí režimu zesilovače výkonu

Dotykiem tlačítka "-" zrušíte funkci zesilovače a varná zóna se vrátí ke svému původnímu nastavení. Současný dotyk ovladačů "-" a "+". Varná zóna se vypne a funkce zesilovače výkonu se automaticky zruší.



- Varná zóna se vrátí na své původní nastavení po 5 minutách

**Poznámka:** Doporučuje se, aby se odsávání digestoře zapnulo několik minut před vařením a vypnulo několik minut po ukončení vaření.

## Režim pauzy

- Můžete vypnout jen ohřev, nikoli celou varnou desku.
- Po vstupu do režimu Pauza jsou všechny ovladače kromě ovládání ZAP/VYP deaktivovány.

Vstup do režimu pauzy	
Dotkněte se ovladače Zablokování/pauza.	Všechny ukazatele zobrazují "11".
Odblokování ovladačů	
Dotkněte se ovladače Zablokování/pauza.	

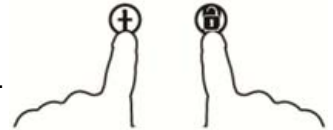
 Když je varná deska v režimu pauzy, všechny ovladače kromě ZAP/VYP jsou deaktivovány , indukční varnou desku můžete v nouzové situaci vypnout pomocí ZAP/VYP .

## Funkce Řízení výkonu

- Je možné nastavit maximální úroveň výkonu pro indukční varnou desku a volit různé výkonové rozsahy.
- Indukční varné desky se mohou automaticky samy omezit, aby pracovaly při nižší úrovni výkonu a nedošlo k přetížení.

### Zapnutí funkce Řízení výkonu

Zapněte varnou desku a současně stiskněte tlačítko "+" (časovač) a zablokování.



Ukazatel časovače zobrazí "P5", což znamená úroveň výkonu 5. Výchozí nastavení je 7,0 Kw/ 7,1 Kw.

### Chcete-li přepnout na jiný výkon

Stiskněte + / - časovače. Existuje 5 úrovní výkonu od "P1" do "P5". Ukazatel časovače zobrazí jednu z nich.

"P1" : Maximální příkon je 2,5 kW.

"P2" : Maximální příkon je 3,5 kW.

Ukazatel časovače zobrazí "P5", což znamená úroveň výkonu 5. Výchozí nastavení je 7,0 Kw/ 7,1Kw.

"P3" : Maximální příkon je 4,5 kW.

"P4" : Maximální příkon je 5,5 kW.

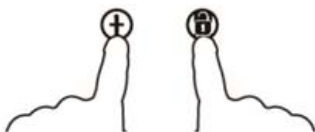
"P5" : Maximální příkon je 7,0 Kw/ 7,1Kw.



### Potvrzení a ukončení funkce Řízení výkonu

Stiskněte stiskněte "+" (časovač) a zablokování k potvrzení.

Varná deska se vypne.



## Výběr sady nádobí pro vaření



kovová pánev pro smažení



hrnec z nerez oceli



kovový kastrol



kovový kotlík



smaltovaná konvice z nerez oceli



smaltovaný hrnec



kovový talíř

Pro přípravu pokrmů na indukční varné desce existuje široký výběr nádobí. Tato varná deska je schopna rozpoznat mnoho druhů nádobí, jehož vhodnost můžete otestovat některou z následujících metod:

1. Umístěte varnou nádobu na varnou zónu. Pokud se na indikátoru zobrazí stupeň výkonu, znamená to, že varná nádoba je vhodná; pokud se ale objeví symbol "U", varná nádoba není vhodná pro použití na této varné desce.
2. Přiložte na varnou nádobu magnet: pokud je magnet varnou nádobou přitahován, je nádoba vhodná pro použití na této varné desce.

**Poznámka:** Varná nádoba: dno musí být vyrobena z materiálů, které jsou magneticky vodivé.

Tvar varné nádoby: musí mít ploché dno o průměru více než 14 cm.

3. Používejte nádobí, kterého průměr je větší než zvolená zóna. Použitím mírně širší nádoby se energie využije s maximální účinností. Pokud použijete nádobí s menším průměrem, účinnost nebude postačující. Nádoby s průměrem dna menším než 140 mm varná deska nedetekuje.

## Čištění s údržba

Čištění povrchu varné desky je třeba provádět podle následujících doporučení:

Typ nečistoty	Způsob vyčištění	Pomůcka k provedení čištění
malé zašpinění	s použitím teplé vody; následně osušit	mycí houba
větší zašpinění	s použitím teplé vody a speciální drátěnky pro sklokeramické povrchy ; následně osušit	speciální houba pro povrchy ze sklokeramiky
usazeniny	polít usazeninu bílým octem a poté osušit měkkou utěrkou	lepící fólie pro povrchy ze sklokeramiky
rozpuštěný cukr, plasty nebo hliník	Odstranit zbytky pomocí stěrky vhodné k použití na povrchy ze sklokeramiky (pro ochránění skla je lépe používat výrobky na bázi silikonu)	lepící fólie pro povrchy ze sklokeramiky

**Poznámka:** před čištěním je vždy třeba odpojit spotřebič od zdroje el. proudu.

## Signalizace poruch a příslušná kontrola

Pokud se objeví anomálie v chodu v provozu indukční varné desky, automaticky se přepne do chráněného módu a displej signalizuje některý z následujících kódů :

Porucha	Možné příčiny	Řešení
F0/F1/F2	porucha na ventilátoru	kontaktovat servisní středisko
F3-F8	porucha na čidle pro teplotu	kontaktovat servisní středisko
E1/E2	anomálie v elektrickém napětí	zkontrolovat přívod elektrického proudu. Po provedení této kontroly znovu přístroj zapnout
E3/E4	anomálie teploty	zkontrolovat varnou nádobu
E5/E6	nedostatečné vyzařování tepla	nechat přístroj vychladnout a poté jej znovu zapnout

Tato tabulka obsahuje nejčastěji se vyskytující závady.

Nikdy neprovádějte demontáž varné desky sami, předejdete tak riziku způsobení ještě větších škod.

## SERVISNÍ SLUŽBA ZÁKAZNÍKŮM

### Před žádostí o servisní opravu

V případě závady v chodu spotřebiče doporučujeme nejprve:

- zkontrolovat zda je zástrčka správně zasunuta v zásuvce elektrického proudu;
- zkontrolovat zda závada není popsána v dále uvedené tabulce závad.

V případě, že se nepodaří zjistit příčinu závady v chodu:

vypnout spotřebič a kontaktovat Technickou servisní službu zákazníkům.

## Dodatek

---

Obsah celého tohoto návodu k použití byl pečlivě zkontrolován. Přesto nemůže výrobce zodpovídat za tiskové chyby nebo výpadky v textu. Dále upozorňujeme, že případné revize tohoto návodu k použití mohou být provedeny bez předchozího upozornění. Ilustrace výrobku se vztahuje k právě aktuálnímu provedení.

---



**POZOR:** tento výrobek nesmí být likvidován společně s komunálním odpadem. Je třeba zajistit jeho likvidaci odděleně.

Tento elektrospotřebič byl vyroben v souladu s nařízením evropské směrnice 2012/19/EC o likvidaci elektrických a elektronických zařízení.

Jistota, že tento výrobek byl vyroben za respektování předepsaných nařízení, napomáhá prevenci možných škod na životním prostředí a na zdraví, ke kterým by došlo při nerespektování tohoto nařízení.

Tento symbol značí, že tento výrobek nesmí být zlikvidován společně s běžným domácím odpadem, je nutné, aby jeho likvidaci zajistilo některé ze specializovaných recyklačních center pro elektrický a elektronický materiál.

Pro získání potřebných informací o nakládání s výrobkem a o jeho likvidaci je vhodné kontaktovat místní sběrné středisko anebo se obrátit na prodejnu, kde byl tento výrobek zakoupen.

Afhængigt af forholdene er delene i dette apparat overensstemmende med:

FORORDNING (EF) nr. 1935/2004 vedrørende materialer og artikler beregnet til at komme i kontakt med fødevarer.

## **Sikkerhed og vedligeholdelse**

- **ADVARSEL:** Apparatet og dets tilgængelige dele bliver varme ved brug. Undgå berøring med de varme dele.
- Børn under 8 år skal holdes fra apparatet, med mindre de er under konstant overvågning.
- Dette apparat kan benyttes af børn fra 8 år og op efter samt af personer med nedsatte fysiske, sensoriske og mentale evner eller mangel på erfaring og viden om brug af apparatet, hvis de overvåges eller får instruktion i brug og forstår de farer, der kan være i forbindelse med brug.
- Børn må ikke lege med apparatet.
- Rengøring og vedligeholdelse skal ikke udføres af børn uden overvågning.
- **ADVARSEL:** Tilberedning af madvarer med fedtstof eller olie skal holdes under opsyn for at undgå farer eller brand.
- Prøv **ALDRIG** at slukke brand med vand. Sluk derimod apparatet og dæk flammerne over med f.eks. et låg eller et brandtæppe.
- **ADVARSEL:** Brandfare: Opbevar ikke genstande på kogepladerne.

- **ADVARSEL:** Hvis overfladen er gået i stykker, sluk for apparatet for at undgå elektrisk stød.  
Benyt ikke en damprenser til rengøringsprocedurer.
- Metaldele som f.eks. Knive, gafler, skeer og låg må ikke placeres på den varme overflade, da de kan blive varme.
- Enhver form for spild bør fjernes fra låget før åbning.  
Kogepladens overflade skal køle af, før låget lukkes.
- Efter brug , sluk da kogepladene elementer på deres kontrolknapper i stedet for at stole på detektoren .
- Apparatet er ikke beregnet til at blive betjent via en ekstern timer eller et særskilt fjernbetjeningsystem .
- Frakobling overensstemmelse skal ske i de fas te ledninger i med gældende regler og bestemmelser.
- Af instruktionen skal det fremgå, hvilken type ledning, der skal benyttes og temperaturen på bagsiden af apparatets overflade skal indtænkes.
- Hvis forsyningsledningen er beskadiget, skal den udskiftes af producenten, dennes serviceagent eller en lignende kvalificeret person for at undgå fare .
- **ADVARSEL:** For at undgå mulige farer forårsaget af utilsigtet nulstilling af den termiske afbryder, må dette apparat ikke forsynes via en ekstern afbryderenhed, som f.eks. en timer, eller tilsluttes et kredsløb, hvor regelmæssigt tændes og slukkes af forsyningsleverandøren.

- Afbryderanordningen skal være indbygget i den faste ledningsføring i henhold til reglerne for ledningsføring.
- Instruktionerne angiver den type ledning, som skal anvendes i betragtning af temperaturen af apparatets underside.
- **ADVARSEL:** Brug kun kogesektionsafskærmninger designet af producenten af kogeapparatet eller angivet af producenten af apparatet i brugsanvisningen som egnet, eller kogesektionsafskærmninger indbygget i apparatet. Brug af uegnede afskærmninger kan medføre uheld.
  - Brug altid passende kogegrej.
  - Placer altid kogegrej midt på den enhed, du laver mad på.
  - Placer ikke noget på kontrolpanelet.
  - Brug ikke overfladen som skærebræt.
  - Kogesektionens overflade skal køle af, inden låget lukkes.
  - **FORSIGTIG:** madlavningsprocessen skal overvåges. En kortvarig madlavningsproces skal overvåges kontinuerligt.



**Kære kunde,**

tak fordi De har valgt en induktionskogetop fra CANDY, et produkt som De helt sikkert vil få glæde af i mange år.

Læs denne brugervejledning grundigt igennem, før De tager produktet i brug, og opbevar den omhyggeligt, så De kan slå op i den, hvis det bliver nødvendigt.

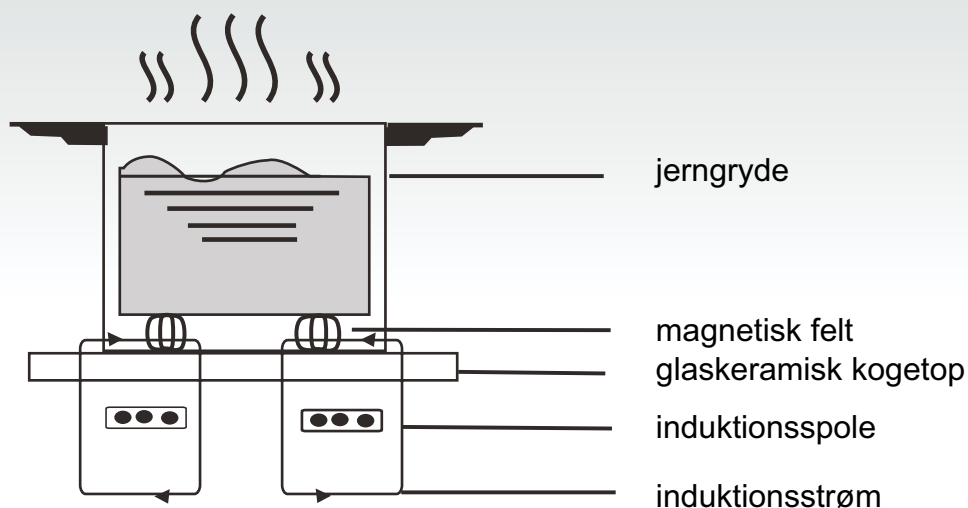
**Indledning**

Induktionskogetoppen kan opfylde de mange forskellige behov som kræver kogning via elektromagnetisk opvarmning. Takket være et micro-computerstyret kontrolsystem med flere funktioner er den det rette valg til moderne familier.

Denne induktionskogetop er fremstillet i særlige materialer og er sikker, slidstærk og særdeles nem at bruge.

**Sådan virker den**

Induktionskogetoppen består af en elektrisk spole, en plade i ferromagnetisk materiale og et kontrolsystem. Strømmen generer et kraftigt elektromagnetisk felt omkring spolen. Dette skaber en række bølger som genererer varmen, der ledes videre til beholderen på kogetoppens overflade.



## Sikkerhed

Denne kogetop er udviklet til privat brug. Vi er altid opmærksomme på at forbedre vore produkter og forbeholder os ret til at foretage ændringer i takt med eventuel ny teknologisk udvikling.

### ● Overophedningsbeskyttelse

En sensor kontrollerer temperaturen inde i kogetoppen. Hvis temperaturen overstiger sikkerhedsniveauet, slukkes kogetoppen automatisk.

### ● Besked om genstande i berøring med kogepladerne

Hvis der på kogetoppen placeres en gryde med en diameter på under 80 mm, små genstande (som knive, gafler, nøgler) eller en gryde som ikke er magnetisk (fx af aluminium), aktiveres der automatisk et lydsignal, som vil lyde i ca. 1 minut. Hvis problemet varer ved, vil kogetoppen automatisk gå i stand-by.

### ● Eftervarme alarm

Hvis kogetoppen bruges i længere tid, kan den efter brug være varm. Bogstavet "H" på displayet advarer om, at kogetoppen er varm og at den ikke skal berøres.

### ● Beskyttelse via automatisk slukning

Automatisk slukning er en ekstra sikkerhedsfunktion på Deres induktionskogetop, som aktiveres, når man glemmer at slukke den. Den automatiske slukning af kogetoppen afhænger af den anvendte intensitet, som det fremgår af tabellen vist herunder:

Intensitetsniveau	Kogefeltet slukker automatisk efter
1-3	8 timer
4-6	4 timer
7-9	2 timer

Når gryden efter kogningen fjernes, opvarmer induktionskogetoppen ikke længere og vil, efter at lydsignalet har lydt i et minut, slukkes.

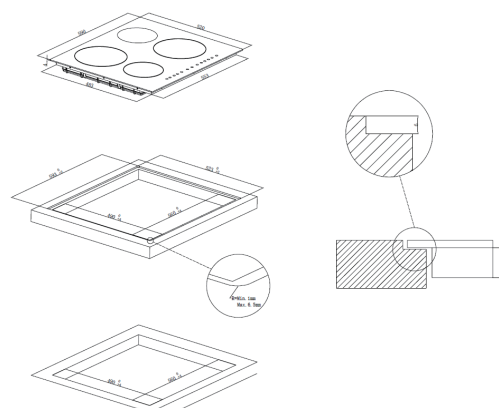
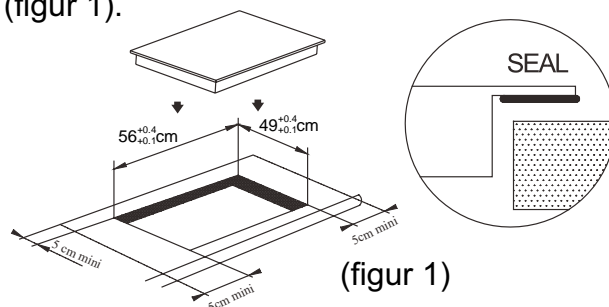
### Bemærk:

personer med pacemaker må kun anvende dette husholdningsapparat efter aftale med egen læge.

## Installation

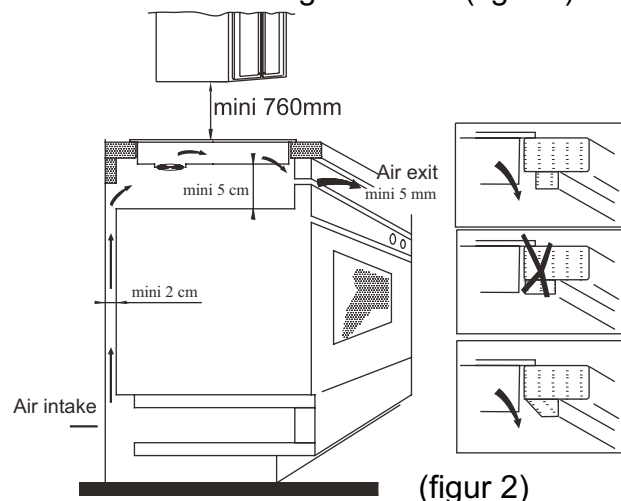
### Fremgangsmåde for installation

1. Bor et hul i møblets overflade, idet målene på tegningen overholdes; For en korrekt installation skal der desuden være fri plads omkring kogetoppen på mindst 5 cm. Det skal sikres, at bordpladen som kogetoppen skal placeres på har en tykkelse på mindst 30 mm, og at den er fremstillet i et materiale, som kan tåle høje temperaturer, da den ellers kan deformeres af varmen fra kogetoppen (figur 1).



Flush installation: Kun mulig, hvis ovnen ikke er installeret under disken

2. Sørg altid for at induktionskogetoppen sidder tæt fast på bordets overflade, og at den er tilstrækkelig ventileret (figur 2).





## Brugervejledning

### Klargøring før brug:

Så snart der tændes for kogetoppen lyder der et lydssignal, alle kontrollamper blinker i 1 sekund, hvilket angiver, at kogtoppen står i stand-by.

Stil gryden på det valgte kogefelt.

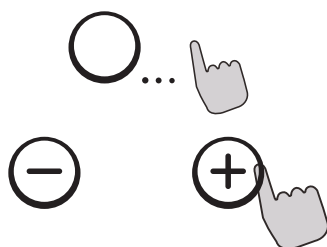


### Driftsvejledning

Efter at have trykket på tasten "ON/OFF", viser alle lysdioderne symbolet "-". Vælg det kogefelt som gryden befinder sig på, lysdioden for effektniveauet på det valgte felt blinker. Tryk herefter på tasterne "+" eller "-", displayet viser 5 som standard, indstil med tasterne "+" eller "-" det ønskede intensitetsniveau. Ved at trykke på "+" og "-" -tasten samtidig, vil de tidligere indstillinger blive nulstillet og kogefeltet på kogetoppen slukkes.

Se tabellen på side 30 for den specifikke effekt for hvert kogefelt.

**Bemærk:** efter at have trykket på tasten "ON/OFF", vil induktionskogetoppen forblive i stand-by, hvis der ikke foretages andre operationer inden for 1 minutter.



### TIMER funktion

Ved at trykke på TIMER tasten vil lysdioden blinke på displayet, og det er nu muligt at indstille tiden. Med tasterne "+" eller "-" kan tiden indstilles fra 1 til 99 minutter. Ved at trykke på tasten "+" øges indstillingen med 1

minut ad gangen; ved at trykke på tasten "-" mindskes indstillingen med 1 minut ad gangen. Hvis 99 overskrides vil timeren automatisk gå tilbage til 0. Ved at trykke på tasterne "+" og "-" samtidigt stilles displayet tilbage til 0.



### Bekræftelse af TIMER funktion

1. Vælg effekten i det forvalgte kogefelt, tryk på tasten "timer" og indstil tiden.
2. Når timeren har blinket i cirka 5 sekunder vil den indstillede tid automatisk blive bekræftet.
3. Når tiden er blevet indstillet trykkes på "TIMER" for at tjekke den ønskede indstilling.
4. Når "Timeren" er blevet bekræftet, vises der en prik nederst til højre på effektniveauet for den valgte zone.

### Annullering af TIMER funktion

Hold tasten "timer" nede i 5 sekunder for at slette den tidligere indstillede funktion.

Displayet viser 0.

### Børnesikring

Af hensyn til børns sikkerhed er induktionskogetoppen forsynet med en børnesikring, hvormed funktionerne kan låses. For at låse funktionerne holdes låsetasten (Interlock) nede: kogetoppen bliver låst, timerens display viser symbolet "Lo" og alle de andre funktioner er spærret.

### Låse op funktion

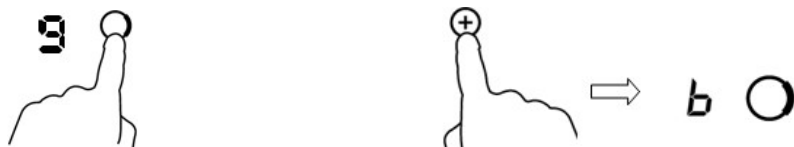
Tryk på låsetasten (Interlock) i 2 sekunder.



## Turbo-tilstand

Berør tasten til valg af varmezone, og berør derpå "+". Kontrollér, at displayet viser "9".

Berør tasten "+" igen, hvorefter zoneindikatoren viser "b", og effekten når Maks.



## Annuler Turbo-tilstand

Berør tasten "-" for at annullere Turbo-funktionen, hvorpå kogezoneen vender tilbage til den oprindelige indstilling.

Hvis tasten "-" og "+" berøres samtidigt, slukkes kogezoneen, og turbo-funktionen annulleres automatisk.



- Kogezoneen vender tilbage til den oprindelige indstilling efter 5 minutter



**Bemærk:** Det anbefales at tænde for emhætten et par minutter, før man begynder at lave mad, og at slukke for den et par minutter efter, at man er færdig.

## Pausetilstand

- Varmen kan sættes på pause i stedet for at slukke for kogesektionen.
- Når Pausetilstand aktiveres, bliver alle taster undtagen ON/OFF-tasten deaktiveret.

Sådan aktiveres pausetilstand	
Berør tasten lås/pause.	Alle indikatorer viser "11".
Sådan oplåses tasterne	
Berør tasten lås/pause.	



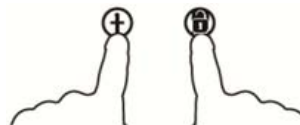
Når kogesektionen er i pausetilstand, er alle tasterne deaktiveret undtagen ON/OFF , induktionskogesektionen kan altid slukkes med ON/OFF-tasten  i en nødsituation.

## Energistyringsfunktion

- Det er muligt at indstille et maksimalt effektforbrugsniveau for induktionskogesektionen ved at vælge forskellige effektområder.
- Induktionskogesektioner kan automatisk begrænse sig selv til at fungere ved et lavt effektniveau for at undgå risikoen for overbelastning.

### Sådan aktiveres energistyringsfunktionen

Tænd for kogesektionen, og tryk derefter på "+" (timer) og tastlås samtidigt.



Timerindikatoren viser "P5", hvilket betyder effektniveau 5. Standardtilstanden er 7,0 kW/7,1 kW.

### Sådan skiftes til et andet niveau

Tryk på +/- fra timeren. Der er 5 effektniveauer, fra "P1" til "P5". Timerindikatoren viser et af dem.

"P1": maks. effekt er 2,5 kW.

"P2": maks. effekt er 3,5 kW.

Timerindikatoren viser "P5", hvilket betyder effektniveau 5. Standardtilstanden er 7,0 kW/7,1 kW.

"P3": maks. effekt er 4,5 kW.

"P4": maks. effekt er 5,5 kW.

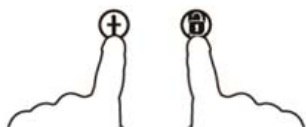
"P5": maks. effekt er 7,0 kW/7,1 kW.



ELLER

### Bekræft og afslut energistyringsfunktionen

Tryk på + (timer) og tastlås samtidigt for at bekræfte.



Kogesektionen vil slukke.

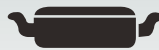
## Valg af kogegrej



jernpande til friturestegning



gryde i rustfrit stål



lav pande i jern



pande i jern



emaljeret kedel i rustfrit stål



emaljeret gryde



tallerken i jern

Der kan anvendes mange forskellige typer kogegrej på induktionskogetoppen.

1. Denne kogetop er i stand til at identificere og teste dem ved hjælp af én af følgende metoder:  
stil gryden på et kogefelt. Hvis der på indikatoren for dette kogefelt vises et effektniveau, er gryden induktionseget; hvis den derimod viser symbolet "U", er gryden ikke induktionseget.
2. Placér en magnet på gryden: hvis magneten tiltrækkes af gryden, vil denne være induktionseget.  
**NB:** bunden af gryden skal indeholde materiale som påvirkes af en magnet. Gryden skal have en flad bund med en diameter på mere end 14 cm.

## Rengøring og vedligeholdelse

Overfladen på kogetoppen kan rengøres på følgende måde:

Type snavs	Sådan gøres det rent	Materiale til rengøring
kun lidt snavset	med varmt vand, hvorefter der tørres efter	svamp
meget snavset	med varmt vand, hvorefter der tørres efter med en særlig slibesvamp til glaskeramik	særlig svamp til glaskeramik
fastbrændt mad o.l.	hæld lys eddike på det fastbrændte materiale og rens med en blød klud, eller brug et passende rengøringsmiddel	særligt klæbebepapir til glaskeramik
Smeltet sukker, plastic eller aluminium	For at fjerne resterne skal der bruges en skraber som er egnet til glaskeramik (for at beskytte glasset er det bedst at bruge et skraber med silikone)	særligt klæbebepapir til glaskeramik

**Bemærk: kobl strømmen fra før apparatet rengøres.**

## Fejlvisning og eftersyn

Hvis der opstår en fejl vil induktionskogetoppen automatisk tilkoble en beskyttelsesfunktion og på displayet vil der blive vist følgende koder:

Fejl	Mulig årsag	fejretning
F0/F1/F2	fejl i ventilatoren	kontakt leverandøren
F3-F8	fejl ved temperaturføleren	kontakt leverandøren
E1/E2	fejl i den elektriske spænding	kontrollér at strømmen er tilsluttet Herefter tændes apparatet igen
E3/E4	temperaturfejl	kontrollér gryden
E5/E6	varmestrålingen er utilstrækkelig	tænd igen for apparatet efter at det er kølet af

Dette er en liste over de mest almindelige fejl.

Skil ikke selv induktionskogetoppen ad, da der herved er risiko for alvorligere fejl.

## KUNDESERVICE

### Før De kontakter kundeservice

Hvis produktet ikke virker korrekt beder vi Dem:

- kontrollere om stikket sidder korrekt i stikkontakten;
- læse skemaet over fejl og mulige årsager angivet på de foregående sider.

Hvis årsagen til fejlen herefter ikke er fundet, bedes De :  
slukke for apparatet og kontakte Kundeservice.



## Særlig erklæring

---

Indholdet i denne manual er blevet kontrolleret omhyggeligt. Fabrikanten fraskriver sig ansvar for trykfejl og eventuelle udeladelser opstået under trykningen.

Herudover kan der ved en eventuel revidering af brugervejledningen blive tilføjet tekniske ændringer uden forudgående varsel. Det afbillede produkt er det aktuelle.

---




**ADVARSEL:** dette produkt må ikke bortskaffes sammen med almindeligt husholdningsaffald. Det skal bortskaffes separat.

Dette husholdningsapparat er fremstillet i overensstemmelse med det europæiske direktiv 2012/19/EC om bortskaffelse af elektrisk og elektronisk udstyr.

Ved overholdelse af direktiverne omkring bortskaffelse af dette husholdningsapparat forebygges eventuelle skader på miljøet og på sundheden, som en forkert bortskaffelse ellers kan medføre.

Dette symbol angiver, at produktet ikke må bortskaffes som almindeligt husholdningsaffald, men at det skal bortskaffes via særlige centre for genanvendelse af elektrisk og elektronisk materiale.

For yderligere oplysninger om behandling, bortskaffelse og genanvendelse af dette produkt bedes De kontakte Deres kommune eller henvende Dem til forretningen, hvor produktet er blevet købt.

Inserendo la marcatura CE  su questo prodotto, si dichiara, sotto la nostra responsabilità, la conformità a tutti i requisiti sulla sicurezza europea, sulla salute e sull'ambiente stabiliti dalla legislazione per questo prodotto.

A seconda dei casi, le parti di questo elettrodomestico sono conformi a:

REGOLAMENTO (CE) N° 1935/2004 su materiali ed articoli destinati ad entrare in contatto con gli alimenti.

## Sicurezza e manutenzione

- **ATTENZIONE:** l'apparecchio e le parti accessibili diventano calde durante l'uso. Prestare attenzione a non toccare le parti calde.
- I bambini al di sotto di 8 anni dovrebbero essere tenuti a distanza se non continuamente supervisionati.
- L'apparecchio può essere usato da bambini dagli 8 anni in su e persone con ridotte capacità fisiche, sensoriali o mentali o senza esperienza e conoscenza del prodotto se supervisionate o dando loro istruzioni riguardo al funzionamento dell'apparecchio in maniera sicura e cosciente del rischio possibile.
- I bambini non dovrebbero giocare con l'apparecchio.
- La pulizia e la manutenzione non dovrebbero essere fatte da bambini senza supervisione
- **ATTENZIONE:** cucinare senza supervisione grasso o olio sul piano cottura può essere pericoloso e può provocare incendi

- MAI provare a spegnere il fuoco con acqua. Prima spegnere l'apparecchio e poi coprire le fiamme, ad esempio con un coperchio o un telo non infiammabile.
- ATTENZIONE: pericolo di incendio: non lasciare oggetti sul piano cottura.
- ATTENZIONE: Se la superficie è incrinata, spegnere l'apparecchio per evitare la possibilità di scosse elettriche. non utilizzare un pulitore a vapore.
- Oggetti metallici quali coltelli, forchette, cucchiari o coperchi non dovrebbero essere posti sulla superficie del piano di cottura perché possono scaldarsi.
- rimuovere gli eventuali liquidi tracimati dal coperchio prima di aprirlo.
- Far raffreddare la superficie del piano di cottura prima di chiudere il coperchio.
- Dopo l'uso, spegnere il piano di cottura tramite il suo dispositivo di comando e non fare affidamento sul rivelatore di pentole.
- L'apparecchio non è progettato per funzionare con un timer esterno o con un sistema di comando separato .
- Il mezzo di disconnessione deve essere incorporato nel cablaggio fisso in accordo con le leggi di cablaggio .

- le istruzioni devono indicare quale tipo di cavo debba essere utilizzato, tenendo presente la temperatura della superficie posteriore dell'apparecchio.
- Se il cavo di alimentazione è danneggiato, esso deve essere sostituito dal costruttore o dal suo servizio assistenza tecnica o comunque da una persona con qualifica simile, in modo da prevenire ogni rischio.
- **ATTENZIONE:** Al fine di evitare ogni pericolo dovuto al riarmo accidentale del dispositivo termico di interruzione, il presente apparecchio non deve essere alimentato con un dispositivo di manovra esterno, quale un temporizzatore oppure essere connesso a un circuito che viene regolarmente alimentato o disalimentato dal servizio.

- Il dispositivo di scollegamento deve essere incluso nel cablaggio fisso, in accordo con le normative relative al cablaggio.
- Le istruzioni riportano il tipo di cavo da utilizzare, tenendo in considerazione la temperatura della superficie posteriore dell'elettrodomestico.
- **AVVERTENZA:** Utilizzare unicamente protezioni per piani di cottura progettate dal produttore della cucina o indicate dal produttore dell'elettrodomestico nelle istruzioni d'uso come adatte, o ancora protezioni incorporate nell'elettrodomestico. L'utilizzo di protezioni non adatte può provocare incidenti.
  - Utilizzare sempre i recipienti di cottura adatti.
  - Mettere sempre la pentola al centro del gruppo sul quale si sta effettuando la cottura.
  - Non appoggiare nulla sul pannello di comando.
  - Mai utilizzare il piano di cottura come tagliere.
  - Prima di chiudere il coperchio lasciare raffreddare la superficie del piano di cottura.

## Gentile Cliente,

desideriamo ringraziarLa per aver scelto il piano cottura a induzione CANDY, un prodotto che sicuramente soddisferà per molti anni le Sue esigenze.

Legga attentamente questo manuale di istruzioni prima dell'uso e lo conservi con cura per poterlo consultare in futuro in caso di necessità.

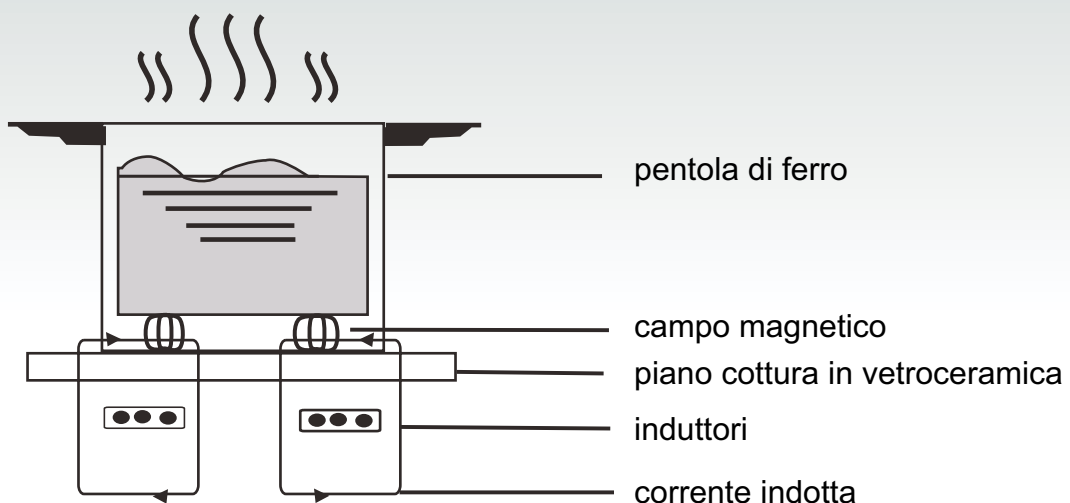
## Introduzione

Il piano cottura a induzione è in grado di soddisfare le tante esigenze che richiedono una cottura tramite riscaldamento elettromagnetico, grazie a un sistema di controllo multifunzione e microcomputerizzato che lo rendono la scelta ideale per le famiglie moderne.

Realizzato con materiali speciali, questo elettrodomestico è estremamente facile da usare, resistente e sicuro.

## Come funziona

Il piano cottura a induzione è costituito da una serpentina elettrica, da una lastra in materiale ferromagnetico e da un sistema di controllo. La corrente elettrica genera un potente campo elettromagnetico intorno alla serpentina. Ciò produce una serie di onde che generano il calore trasmesso poi al recipiente dalla superficie del piano cottura.



## Sicurezza

Questo piano cottura è stato progettato per l'uso domestico.

Sempre attenti a migliorare i nostri prodotti, ci riserviamo il diritto di apportare modifiche in caso di eventuali evoluzioni tecniche.

### ● Protezione contro il surriscaldamento

Un sensore controlla la temperatura all'interno del piano cottura. Se la temperatura supera il livello di sicurezza, il piano cottura si spegne automaticamente.

### ● Segnalazione di oggetti a contatto del piano cottura

Se sul piano cottura si pone una pentola con un diametro inferiore a 80 mm, piccoli oggetti (come coltelli, forchette, chiavi) o una pentola non magnetica (ad esempio in alluminio), un segnale acustico scatta automaticamente e suona per circa 1 minuto. Se quindi il problema persiste, il piano cottura entra automaticamente in stand-by.

### ● Allarme calore residuo

Quando l'uso del piano cottura è prolungato nel tempo, potrebbe rimanere del calore residuo. La lettera "H" sul display avverte di non toccare il piano.

### ● Protezione tramite auto spegnimento

L'auto spegnimento è un'ulteriore funzione di sicurezza del vostro piano cottura a induzione, che si attiva automaticamente se lo si dimentica acceso. Lo spegnimento automatico del piano cottura dipende dal livello di intensità utilizzato, come mostra la tabella qui di seguito:

Livello di intensità	La zona di cottura si spegne automaticamente dopo
1-3	8 ore
4-6	4 ore
7-9	2 ore

Quando, a fine cottura, la pentola viene rimossa, il piano cottura a induzione non scalda più e, dopo il segnale acustico della durata di 1 minuto, si spegne.

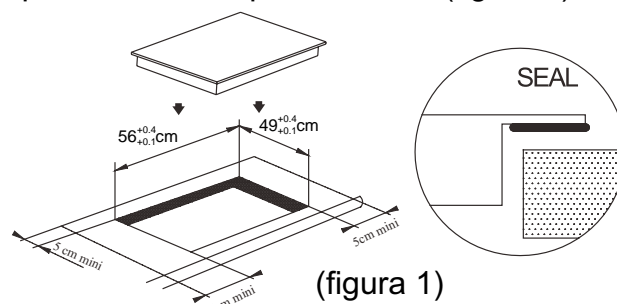
### Nota bene:

le persone portatrici di pacemaker possono usare questo elettrodomestico solo sotto il controllo del proprio medico.

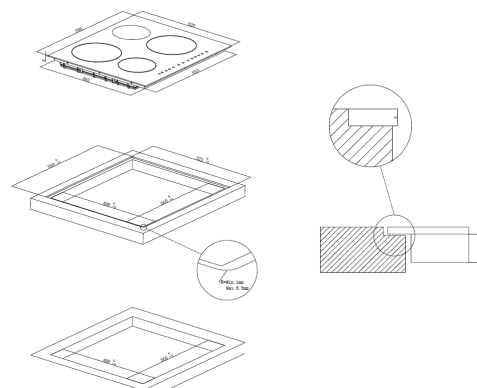
## Installazione

### Procedimento di installazione

1. Praticare un foro sulla superficie del mobile, rispettando le misure indicate sul disegno; per una corretta installazione deve inoltre essere previsto uno spazio libero intorno al piano pari ad almeno 5 cm. Assicurarsi che lo spessore del supporto in cui deve essere incassato il piano sia di almeno 30 mm e che il materiale di cui è composto lo stesso sia resistente alle alte temperature per evitare che si deformi a causa del calore proveniente dal piano cottura (figura 1).

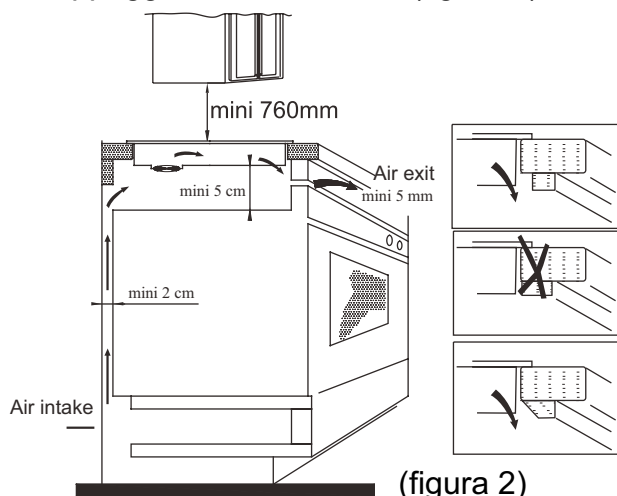


(figura 1)



Installazione a filo: fattibile solo se il forno non è installato sotto il banco

2. Assicurarsi sempre che il piano cottura a induzione sia ben saldo sul piano di appoggio e ben ventilato (figura 2).



(figura 2)





## Istruzioni per l'uso

### Preparazione prima dell'uso:

Subito dopo l'accensione il piano cottura emette un segnale acustico, tutti i led lampeggiano per 1 secondo segnalando che il piano cottura è in stand-by.

Mettere la pentola sopra la zona di cottura prescelta.

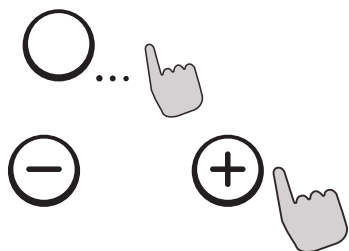


### Istruzioni di funzionamento

Dopo avere premuto il tasto "ON/OFF", tutti i led segnalano il simbolo "-". Selezionare la zona di cottura su cui si trova la pentola; il led del livello di potenza della zona prescelta lampeggerà. Premere quindi i tasti "+" o "-", il display indica 5 come standard, regolare con i tasti "+" o "-" il livello d'intensità desiderato. Premendo simultaneamente il tasto "+" ed il tasto "-", le impostazioni precedenti si azzerano e la zona del piano cottura si spegne.

Si veda la tabella a pag. 38 per la potenza specifica di ogni zona di cottura del piano.

**Nota:** dopo avere premuto il tasto "ON/OFF", il piano cottura a induzione rimane in stand-by se non si effettuano altre operazioni entro 1 minuti.



### Funzione TIMER

Premendo il tasto TIMER, il led lampeggia sul display ed è quindi possibile impostare il tempo. Con i tasti "+" o "-" si può regolare il tempo da 1 a 99 minuti. Premendo il tasto

"+" l'impostazione aumenta di 1 minuto alla volta; premendo il tasto "-" l'impostazione diminuisce di 1 minuto alla volta. Se si superano i 99 minuti, il timer torna automaticamente su 0. Premendo simultaneamente i tasti "+" e "-" il display ritorna a 0.



### Conferma funzione TIMER

1. Selezionare la potenza della zona di cottura prescelta, premere il tasto "timer" e impostare il tempo.
2. Dopo che il timer avrà lampeggiato per circa 5 secondi, il tempo impostato è automaticamente confermato.
3. Dopo avere impostato il tempo, premere "TIMER" per verificare l'impostazione desiderata.
4. Una volta confermato il "Timer", viene visualizzato un puntino sulla parte inferiore destra del livello di alimentazione della zona selezionata.

### Annullare funzione TIMER

Tenere premuto il tasto "timer" per 5 secondi per cancellare la funzione impostata in precedenza. Il display indicherà 0.

### Dispositivi di sicurezza

Per assicurare l'incolumità dei bambini, il piano ad induzione Candy è dotato di un sistema di blocco comandi

Attivazione blocco comandi : premendo il tasto apposito i comandi si bloccano e il display del timer visualizza "Lo". Quando il blocco dei comandi è attivo è comunque possibile spegnere/attivare il piano cottura ad induzione

### Disattivazione blocco comandi

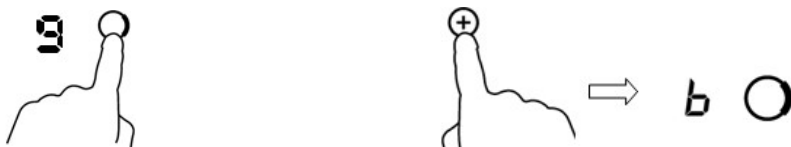
Premere il tasto apposito per 2 secondi ed il piano tornerà al normale funzionamento



## Modalità boost mode

Toccare il comando della zona di riscaldamento, e quindi "+". Accertarsi che il display mostri "9".

Toccare nuovamente il tasto "+", l'indicatore della zona mostra "b" e la potenza raggiunge il valore massimo



## Come cancellare la modalità Boost

Toccare il tasto "-" per annullare la funzione Boost: la zona di cottura ritorna all'impostazione originale. Toccare simultaneamente "-" e "+". La zona di cottura si spegne e la funzione boost si annulla automaticamente.



- La zona di cottura ritorna all'impostazione originale dopo 5 minuti



**Nota:** Si consiglia di accendere l'aspirazione del piano di cottura alcuni minuti prima della cottura e di spegnerla alcuni minuti dopo il termine della cottura.

## Modalità Pausa

- È possibile interrompere il riscaldamento invece di spegnere il piano di cottura.
- Quando si entra in modalità Pausa, tutti i comandi escluso quello di accensione/spegnimento sono disabilitati.

Per entrare in modalità pausa	
Toccare il comando blocco/pausa.	Tutti gli indicatori mostrano "11"
Per sbloccare i comandi	
Toccare il comando blocco/pausa.	



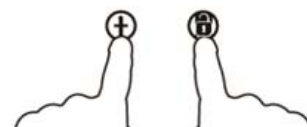
Quando il piano di cottura è in modalità pausa, tutti i comandi sono disabilitati ad esclusione di quello di accensione/spegnimento , si può sempre spegnere il piano di cottura a induzione con il comando di accensione/spegnimento in caso di emergenza .

## Funzione Gestione Potenza

- È possibile impostare un livello massimo di assorbimento per il piano di cottura a induzione scegliendo varie gamme di potenza.
- I piani di cottura a induzione possono limitarsi automaticamente per lavorare ad un livello di potenza inferiore, in modo da evitare i rischi di sovraccarico.

### Come entrare nella Funzione Gestione Potenza

Accendere il piano di cottura, premere contemporaneamente "+" (timer) e il tasto di blocco.



L'indicatore del timer mostra "P5", che corrisponde al livello di potenza 5. La modalità di default è pari a 7,0 kW/7,1 kW.

### Per passare ad un altro livello

Premere +/- sul timer. Ci sono 5 livelli di potenza, da "P1" a "P5". L'indicatore del timer visualizza uno di questi.

"P1": la potenza massima è pari a 2,5 kW.

"P2": la potenza massima è pari a 3,5 kW.

L'indicatore del timer mostra "P5", che corrisponde al livello di potenza 5. La modalità di default è pari a 7,0 kW/7,1 kW.

"P3": la potenza massima è pari a 4,5 kW.

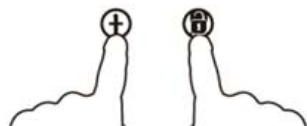
"P4": la potenza massima è pari a 5,5 kW.

"P5": la potenza massima è pari a 7,0 kW/7,1 kW.



### Conferma e Uscita dalla Funzione di Gestione Potenza

Premere contemporaneamente + (timer) e il tasto di blocco per confermare.



A questo punto il piano di cottura si spegne.

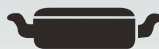
## Selezione di recipienti da cucina per la cottura



padella in ferro per fritti



pentola in acciaio inox



tegame in ferro



padella in ferro



bollitore in acciaio inossidabile smaltato



pentola smaltata



piatto in ferro

1. Ci sono molteplici strumenti adatti per la cottura su piano a induzione. Questo piano di cottura è in grado di identificarli e di testarli applicando uno dei seguenti metodi:  
posizionare la pentola su una zona di cottura. Se sull'indicatore di questa zona di cottura appare un livello di potenza, la pentola è adatta; se appare invece il simbolo "U", la pentola non è adatta alla cottura a induzione.
2. Applicare una calamita sulla pentola: se la calamita viene attratta dalla pentola, quest'ultima è adatta alla cottura a induzione.

**NB:** il fondo del recipiente deve contenere materiali che permettano la conduzione magnetica.

La pentola deve avere un fondo piatto con un diametro superiore a 14 cm.

## Pulizia e manutenzione

La superficie del piano cottura può essere pulita come segue:

Tipo di sporco	Come pulire	Materiale per la pulizia
poco sporco	con acqua calda; poi asciugare	spugna
molto sporco	con acqua calda ed asciugare con una spugna abrasiva specifica per vetroceramica	spugna speciale per vetroceramica
incrostazioni	versare aceto bianco sull'incrostazione e pulire con un panno morbido, oppure usare un detergente apposito	foglio adesivo specifico per vetroceramica
Zucchero, plastica o alluminio fuso	Per rimuovere i residui usare un raschietto adatto per vetroceramica (per proteggere il vetro, è meglio usare un prodotto a base di silicone)	foglio adesivo specifico per vetroceramica

**Nota:** scollegare l'elettrodomestico prima di pulirlo.

## Segnalazione guasto e controllo

Se si verifica un'anomalia, il piano cottura a induzione inserisce automaticamente una funzione di protezione e sul display appaiono i seguenti codici:

Problema	Possibili cause	soluzione
F0/F1/F2	guasto alla ventola	contattare il fornitore
F3-F8	guasto al sensore della temperatura	contattare il fornitore
E1/E2	tensione elettrica anomala	controllare che ci sia alimentazione elettrica. Dopo questa verifica accendere nuovamente l'apparecchio
E3/E4	temperatura anomala	controllare la pentola
E5/E6	irradiazione del calore insufficiente	riaccendere l'apparecchio dopo che si è raffreddato

Questa è una lista dei guasti più comuni.

Non smontare il piano cottura a induzione da soli per evitare pericoli e provocare danni maggiori.

## SERVIZIO ASSISTENZA CLIENTI

### **Prima di chiamare il servizio di Assistenza Tecnica**

In caso di mancato funzionamento del prodotto vi consigliamo di:

- verificare il buon inserimento della spina nella presa di corrente;
- verificare la tabella guasti soprariportata.

Nel caso non si individui la causa di mal funzionamento:

spegnere l'apparecchio non manometterlo e chiamare il Servizio di Assistenza Tecnica.

### **CERTIFICATO DI GARANZIA CONVENZIONALE: cosa fare?**

Il prodotto è garantito, oltre che ai sensi di legge, alle condizioni e nei termini riportati sul certificato di garanzia convenzionale inserito nel prodotto. Il certificato dovrà essere conservato e mostrato al nostro Centro di Assistenza Tecnica Autorizzato, in caso di necessità, insieme allo scontrino comprovante l'acquisto dell'elettrodomestico. Puoi consultare le-condizioni di garanzia anche sul nostro sito internet. Per ottenere assistenza compila l'apposito form on-line oppure contattaci al numero che trovi indicato nella pagina di assistenza del nostro sito internet.

## Dichiarazione speciale

---

Tutti i contenuti di questo manuale sono stati attentamente controllati. Tuttavia, il produttore non si assume responsabilità per errori od omissioni nella stampa. Inoltre, in un'eventuale revisione del manuale di istruzioni, potranno essere inserite modifiche tecniche senza preavviso. L'immagine del prodotto si riferisce a quello attuale.

---



**ATTENZIONE:** non smaltire questo prodotto tra i rifiuti domestici. Deve essere eliminato separatamente.

Per ulteriori informazioni sul trattamento, lo smaltimento ed il riciclo di questo prodotto, contattare il servizio smaltimento rifiuti locale oppure rivolgersi al negozio in cui l'articolo è stato acquistato.

Questo elettrodomestico è prodotto secondo la direttiva europea 2012/19/CE sullo smaltimento delle attrezzature elettriche ed elettroniche.

Rispettando le direttive imposte sullo smaltimento di questo dispositivo, si aiuta a prevenire eventuali danni all'ambiente e alla salute provocati da un errato smaltimento.

Questo simbolo indica che il prodotto non può essere smaltito come i normali rifiuti domestici, ma attraverso i centri di riciclo di materiale elettrico ed elettronico.

Al mostrar el logo CE marcado en este producto, declaramos, bajo nuestra propia responsabilidad, el cumplimiento de todos los requisitos europeos en términos de seguridad, salud y medio ambiente, establecidos en la legislación de este producto.

Como corresponde, las piezas de este aparato cumplen las normas siguientes:

REGLAMENTO (EC) 1935/2004 sobre materiales y artículos diseñados para entrar en contacto con alimentos.

## Seguridad y mantenimiento

- **ADVERTENCIA:** El aparato y sus componentes accesibles se calientan durante el uso. Se debe tener cuidado de no tocar los elementos calefactores.
- Los niños menores de 8 años deben permanecer alejados o supervisados de forma continuada por una persona adulta .
- Este aparato puede ser usado por niños mayores de 8 años y personas con capacidades físicas, sensoriales o mentales reducidas o falta de experiencia y conocimiento siempre y cuando hayan sido supervisadas o instruidas sobre el uso del aparato de forma segura y del conocimiento de los riesgos que comporta.
- Los niños no deben jugar con el aparato.
- La limpieza y el mantenimiento que debe realizar el usuario no será realizada por niños sin supervisión.
- **ADVERTENCIA:** Desatender cocinas, utilizando grasas o aceites, es peligroso y puede ocasionar un incendio.
- **NUNCA** trate de apagar un incendio con agua, apague el aparato y cubra la llama con una tapa o manta ignífuga.



- **ADVERTENCIA:** Peligro de incendio: no almacene artículos en las superficies de cocción.
- **ADVERTENCIA:** Si la superficie está agrietada, apague el aparato para evitar la posibilidad de una descarga eléctrica.
- No utilice limpiadores de vapor para la limpieza del aparato.
- No se deben colocar objetos metálicos como cuchillos, tenedores, cucharas y tapas sobre la placa debido a que se pueden calentar.
- Elimine cualquier tipo de derrame de la tapa antes de abrirlo. se debe enfriar la superficie de la placa antes de cerrar la tapa.
- Después de su uso, apague la zona de la placa utilizando su control y no se confíe en el detector de sartenes.
- el aparato no está ideado para ser utilizado mediante un temporizador externo o un sistema de control remoto independiente.
- Los medios de desconexión deben ser incorporados en el cableado fijo en conformidad con las reglas del cableado. las instrucciones indicarán el tipo de cable a utilizar, teniendo en cuenta la temperatura de la parte posterior del aparato.
- Si el cable de alimentación está dañado, debe ser reemplazado por el fabricante, su servicio técnico o personas calificadas, con el fin de evitar riesgos.

- **PRECAUCIÓN:** Con el fin de evitar peligros derivados de alteraciones en el suministro energético, este aparato no debe ser suministrado a través de un dispositivo de conmutación externo, como un temporizador, o conectado a un circuito que sea encendido y apagado frecuentemente por los servicios públicos.
- El cableado fijo debe incorporar los medios de desconexión que se exigen en la normativa de cableado.
- En las instrucciones se indica el tipo de cable que se va a utilizar y se tiene en cuenta la temperatura de la superficie trasera del aparato.
- **ADVERTENCIA:** Utilice solamente las protecciones que incorpora el electrodoméstico, las protecciones diseñadas por el fabricante del equipo de cocina o las protecciones que indica el fabricante en las instrucciones de uso, según corresponda. El uso de protecciones inadecuadas puede causar accidentes.
  - Utilice siempre utensilios de cocina adecuados.
  - Coloque siempre el recipiente en el centro de la zona en la que esté cocinando.
  - No coloque nada en el panel de control.
  - No utilice la superficie como tabla para cortar.
  - Es preciso dejar que la superficie de la placa se enfríe antes de cerrar la tapa.
  - **PRECAUCIÓN:** El proceso de cocción debe supervisarse. Los procesos de cocción breves deben vigilarse de manera continua.

**Estimado Cliente,**

deseamos darle las gracias por haber elegido la encimera de inducción CANDY, un producto que seguramente satisfará por muchos años sus exigencias.

Lea con atención este manual de instrucciones antes del uso y consérvelo con cuidado para poderlo consultar más adelante en caso de necesidad.

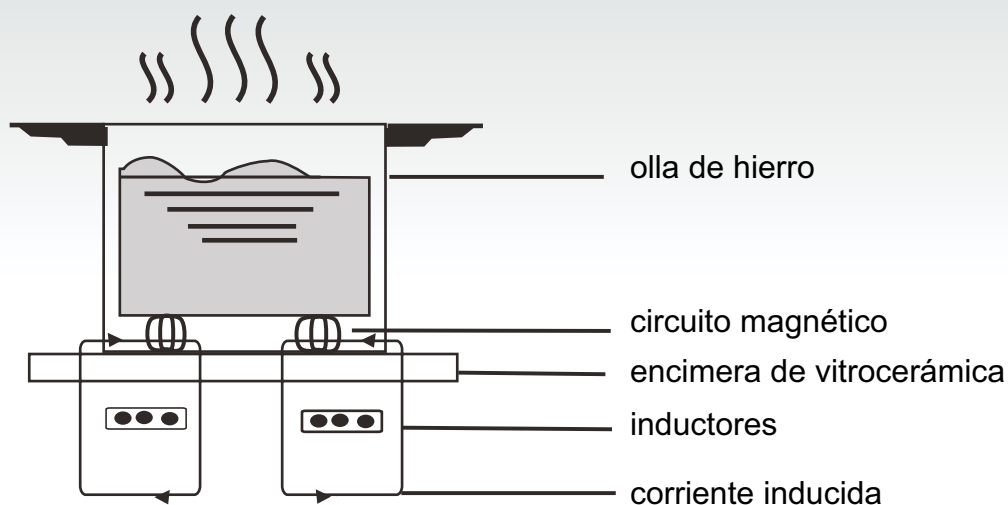
**Introducción**

La encimera de inducción es capaz de satisfacer las muchas exigencias que requieren una cocción a través de calentamiento electromagnético, gracias a un sistema de control multifunción y microcomputerizado, que le permiten ser la elección correcta para las familias modernas.

Realizado con materiales especiales, este electrodoméstico es extremadamente fácil de usar, resistente y seguro.

**Cómo funciona**

La encimera de inducción está formada por un serpentín eléctrico, por una lámina de material ferromagnético y por un sistema de control. La corriente eléctrica genera un potente campo electromagnético alrededor del serpentín. Esto produce una serie de ondas que generan el calor que luego se transmite de la superficie de la encimera al recipiente.



## Seguridad

Esta encimera se ha diseñado para uso doméstico.

Siempre atentos a mejorar nuestros productos, nos reservamos el derecho de aportar modificaciones relativas a eventuales nuevas evoluciones técnicas.

### ● Protección contra el sobrecalentamiento

Un sensor controla la temperatura al interior de la encimera. Si la temperatura supera el nivel de seguridad, la encimera se apaga automáticamente.

### ● Señal de objetos a contacto de la encimera

Si sobre la encimera se coloca una olla con un diámetro inferior a 80 mm., pequeños objetos (como cuchillos, tenedores, pinzas o llaves) o una olla no magnética (por ejemplo de aluminio), una señal acústica se dispara automáticamente y suena durante aproximadamente 1 minuto. Por lo tanto, si el problema persiste, la encimera se pone automáticamente en stand-by.

### ● Alarma calor residual

Cuando el uso de la encimera es prolongado en el tiempo, podría quedar calor residual. La letra "H" en el visor digital advierte que no hay que tocar la encimera.

### ● Protección a través de apagado automático

El apagado automático es una función de seguridad de su encimera de inducción, que se activa automáticamente si se olvida encendida. El apagado automático de la encimera depende del nivel de intensidad utilizada, como muestra la tabla a continuación:

Nivel de intensidad	La zona de cocción se apaga automáticamente después de
1-3	8 horas
4-6	4 horas
7-9	2 horas

Cuando, al final de la cocción, la olla se aparta, la encimera de inducción deja de calentar y, después de la señal acústica de 1 minuto de duración, se apaga.

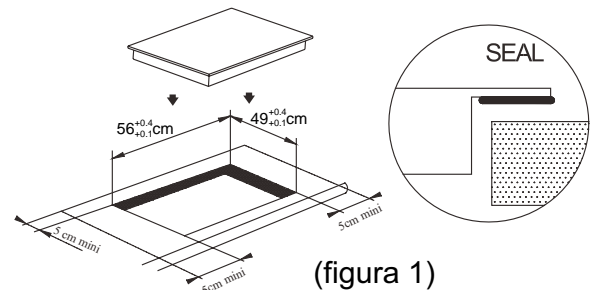
### Nota bien:

las personas que llevan marcapasos pueden usar este electrodoméstico solo bajo el control del propio médico.

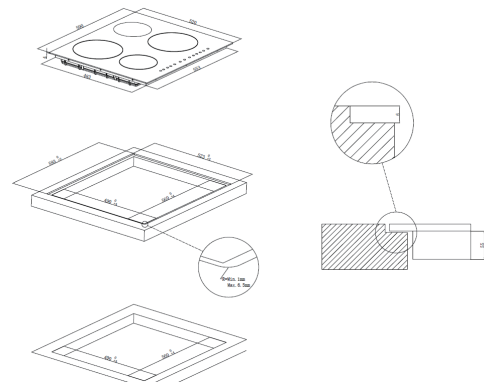
## Instalación

### Procedimiento de instalación

1. Hacer un taladro en la superficie del mueble, respetando las medidas indicadas en el dibujo; además, para una correcta instalación, tiene que existir un espacio libre de al menos 5 cm. alrededor de la superficie. Asegurarse de que el espesor del mueble en el que se va a empotrar la encimera sea de al menos 30 mm. y que el material del que está hecho sea resistente a las altas temperaturas para evitar que se deforme a causa del calor procedente de la encimera (figura 1).

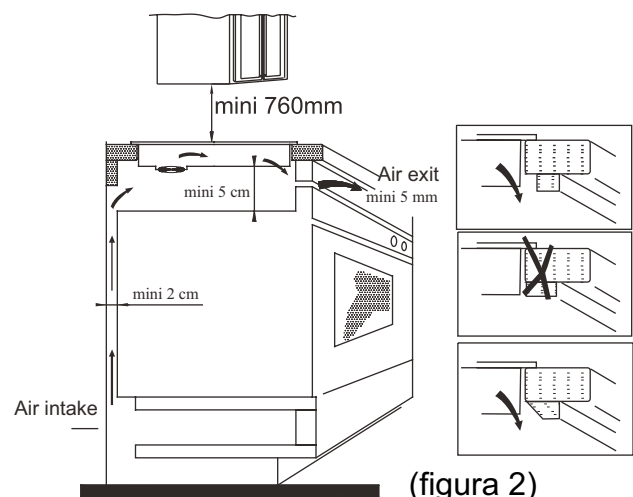


(figura 1)



Instalación al ras: factible solo si el horno no está instalado debajo del mostrador

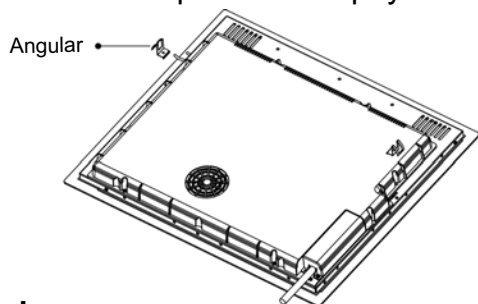
2. Asegúrese siempre de que la encimera de inducción esté bien firme en la superficie de apoyo y bien ventilado (figura 2).



(figura 2)

**Nota:** entre la encimera y el eventual elemento superior, tiene que haber un espacio de al menos 760 mm.

- Después de posicionar la encimera, fijarla con cuatro angulares a la superficie de apoyo (como indicado en la figura). Luego regular cada angular en base al espesor de la superficie de apoyo.



**Precauciones**

- La encimera de inducción tiene que ser instalada por personal técnico cualificado. No efectuar la instalación solos.
- La encimera de inducción no ha de montarse sobre neveras, lavavajillas o lavadoras.
- La encimera de inducción ha de instalarse de modo que se pueda asegurar la eliminación ideal del calor.
- La pared y la zona de abajo de la encimera de inducción tienen que resistir al calor.
- A fin de evitar daños, la fina película que pega la encimera a la superficie de apoyo tiene que resistir al calor.

**4. Conexiones eléctricas**

La conexión a la red eléctrica ha de ser realizada por personal cualificado y según las normas vigentes. Las modalidades de conexión de la encimera están indicadas en la figura 3.

Tensión	Conexión de cables				
380-415V 3N~	1 • L1	2 • L2	3 —	4 N	5 — — —
	Negro	Marrón	Azul	Amarillo/Verde	
220-240V~	1 —	2 L	3 —	4 N	5 — — —
	Negro y Marrón		Azul	Amarillo/Verde	

Comprobar que la instalación eléctrica esté dotada de una eficaz conexión a tierra según las normas y las disposiciones de ley. La toma a tierra es obligatoria.

La Casa Constructora declina toda responsabilidad por eventuales daños a personas o a cosas derivadas por no observar esta norma.

Si el aparato está desprovisto de enchufe, aplicar en el cable un enchufe normalizado capaz de soportar la carga indicada en la placa.

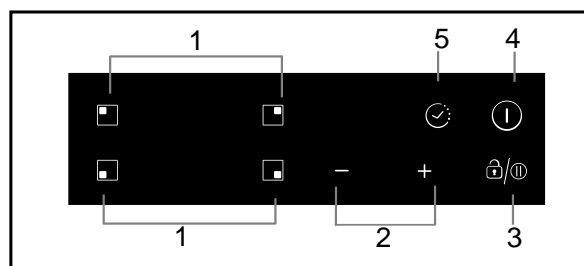
En caso de que se desea una conexión fija a la red, habrá que interponer, entre el aparato y la red, un dispositivo omnipolar de interrupción con distancia de los contactos de al menos 3 mm

Si el cable está dañado, tiene que ser sustituido solo por personal especializado. El cable no tiene que ser plegado o aplastado.

**Descripción de la encimera de inducción**



**Esquema del panel de control**



- Mandos de selección de zona de cocción
- Botón de regulación de potencia/temporizador
- Mando de bloqueo/pausa
- Botón de encendido/apagado
- Mando del temporizador

## Instrucciones para el uso

### Preparación antes del uso:

Enseguida después de encenderla, la encimera emite una señal acústica, todos los led destellan por 1 segundo señalando que la encimera está en stand-by.

Poner la olla encima de la zona de cocción seleccionada.

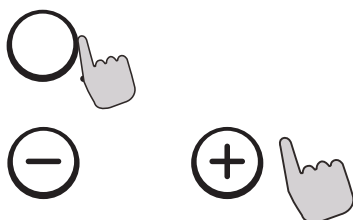


### Instrucciones de funcionamiento

Después de pulsar la tecla "ON/OFF", todos los led señalan el símbolo "-". Seleccionar la zona de cocción en la que se halla la olla; el led del nivel de potencia de la zona elegida destellará. Luego pulsar las teclas "+" o "-", el display indica 5 como estándar, regular con las teclas "+" o "-" el nivel de intensidad deseado. Pulsando simultáneamente la tecla "+" y la tecla "-", las configuraciones precedentes se ponen a cero y la zona de la encimera se apaga.

Ver la tabla a pág. 47 para la potencia específica de cada zona de cocción de la encimera.

**Nota:** después de haber pulsado la tecla "ON/OFF", la encimera de inducción se queda en stand-by si no se efectúan otras operaciones dentro de 1 minuto.



### Función TIMER (TEMPORIZADOR)

Pulsando la tecla TIMER, el led destella en el display y es posible configurar el tiempo. Con las teclas "+" o "-" se puede regular el tiempo de 1 a 99 minutos. Pulsando la tecla "+" la configuración aumenta de 1 minuto a la vez; pulsando la tecla "-" la configuración

disminuye de 1 a la vez. Si se superan los 99 minutos, el temporizador vuelve automáticamente a 0. Pulsando simultáneamente las teclas "+" y "-" el display vuelve a 0.



### Confirmación función TIMER

1. Seleccionar la potencia de la zona de cocción elegida, pulsar la tecla "timer" y configurar el tiempo.
2. Después de que el temporizador haya destellado por unos 5 segundos, el tiempo configurado se confirma automáticamente.
3. Después de haber configurado el tiempo, pulsar "TIMER" para verificar la configuración deseada.
4. En la parte inferior derecha del nivel de potencia de la zona seleccionada aparece un punto cuando se confirma el "temporizador".

### Anular función TIMER

Pulsar la tecla "timer" por 5 segundos para borrar la función configurada anteriormente. El display indicará 0.

### Modo seguro:

Para garantizar la seguridad de los niños, la placa de inducción está dotada con un mecanismo de bloqueo.

Para bloquear: pulsar la tecla de bloqueo, entonces la placa estará en el modo bloqueo, en el temporizador aparecerá "Lo" y el resto de las teclas quedarán inutilizables excepto la de "ON/OFF"

### Desbloqueando

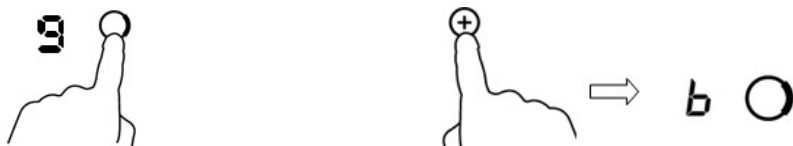
Mantén pulsado durante dos segundos la tecla de bloqueo y la placa volverá a funcionar con normalidad.



## Modo Boost

Toque el mando de selección de la zona de cocción seguido de “+”. Asegúrese de que se muestra la indicación “9”.

Toque el botón “+” de nuevo; en el indicador se muestra “b” y se alcanza la potencia máxima.



## Cancelación del modo Boost

Toque el botón “-” para cancelar la función Boost; la zona de cocción recupera el ajuste original. Toque los botones “-” y “+” a la vez. La zona de cocción se apaga y la función Boost se cancela de forma automática.



- La zona de cocción recupera el ajuste original después de 5 minutos.



**Nota:** Se recomienda encender la campana extractora unos cuantos minutos antes de cocinar y apagarla unos minutos después de terminar de cocinar.

## Modo de pausa

- Puede poner la cocción en pausa en lugar de apagar la placa.
- En el modo de pausa se desactivan todos los mandos, excepto el mando de encendido/apagado.

Para activar el modo de pausa	
Toque el mando de bloqueo/pausa.	En el indicador se muestra “11”.
Para desbloquear los mandos	
Toque el mando de bloqueo/pausa.	



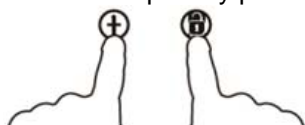
Cuando está en el modo de pausa, todos los mandos están desactivados, excepto el botón de encendido/apagado , . Esto permite utilizar el botón  para apagar la placa de inducción en caso de emergencia.

## **Función de gestión de potencia**

- Es posible ajustar un nivel de potencia absorbida máxima de la placa de inducción mediante la selección de intervalos de potencia diferentes.
- Las placas de inducción pueden limitar automáticamente la potencia para funcionar a una potencia inferior y evitar el riesgo de sobrecarga.

### **Para acceder a la función de gestión de potencia**

Encienda la placa y pulse el botón “+” (temporizador) y el mando de bloqueo al mismo tiempo.



En el indicador del temporizador aparece “P5”, correspondiente al nivel de potencia 5. El modo predeterminado es 7,0 kW/ 7,1 kW.

### **Para activar otro nivel**

Pulse +/- en el temporizador. Existen 5 niveles de potencia: de “P1” a “p5”. En el indicador del temporizador aparece uno de estos niveles.

“P1”: la potencia máxima es 2,5 kW.

“P2”: la potencia máxima es 3,5 kW.

En el indicador del temporizador aparece “P5”, correspondiente al nivel de potencia 5. El modo predeterminado es 7,0 kW/ 7,1 kW.

“P3”: la potencia máxima es 4,5 kW.

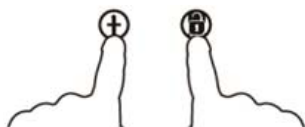
“P4”: la potencia máxima es 5,5 kW.

“P5”: la potencia máxima es 7,0 kW/ 7,1 kW.



### **Confirmación y salida de la función de gestión de potencia**

Pulse el botón + (temporizador) y el mando de bloqueo al mismo tiempo para confirmar los ajustes realizados.



La placa se apaga.



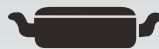
## Selección de batería de cocina para la cocción



paella de hierro para fritos



olla de acero inox



sartén de hierro



paella de hierro



hervidor de acero inoxidable esmaltado



olla esmaltada



plato de hierro

1. Hay muchos instrumentos adecuados para la cocción sobre encimera de inducción. Esta encimera es capaz de identificarlos y testarlos aplicando uno de los siguientes métodos:  
 posicionar la olla en una zona de cocción. Si en el indicador de esta zona de cocción aparece un nivel de potencia, la olla es adecuada; en cambio, si aparece el símbolo "U", la olla no es adecuada a la cocción a inducción.
2. Aplicar un imán en la olla: si el imán es traído por la olla, ésta última es adecuada a la cocción a inducción.  
**NB:** el fondo tiene que contener materiales que permiten la conducción magnética.  
 La olla tiene que tener un fondo llano con un diámetro superior a 14 cm.
3. **Utilice ollas cuyo diámetro sea más grande que el gráfico de la zona seleccionada.** Si se utiliza una olla ligeramente más ancha se empleará la energía con su eficiencia máxima. Si utiliza una olla más pequeña la eficiencia podría ser inferior a la prevista. Una olla de menos de 140 mm podría no ser detectada por la placa

## Limpieza y mantenimiento

La superficie de la encimera se puede limpiar de la siguiente manera:

Tipo de suciedad	Cómo limpiar	Utensilio a usar para limpiar
poco sucio	con agua calda; después secar	esponja
muy sucio	con agua caliente y secar con una esponja abrasiva específica para vitrocerámica	esponja especial para vitrocerámica
incrustaciones	verter vinagre blanco sobre la incrustación y limpiar con un paño suave, o usar un detergente específico	hoja adhesiva específica para vitrocerámica
azúcar, plástico o aluminio disueltos	Para eliminar los residuos usar una rasqueta adecuada para vitrocerámica (para proteger el vidrio, es mejor usar un producto a base de silicona)	hoja adhesiva específica para vitrocerámica

**Nota:** desconectar el electrodoméstico antes de limpiarlo.

## Aviso avería y control

Si ocurre una anomalía, la encimera de inducción conecta automáticamente una función de protección y en el display aparecen los siguientes códigos:

Problema	Posibles causas	Solución
F0/F1/F2	avería al ventilador	contactar al proveedor
F3-F8	avería al sensor de la temperatura	contactar al proveedor
E1/E2	tensión eléctrica anómala	controlar que haya alimentación eléctrica. Después de esta comprobación, encender otra vez el aparato
E3/E4	temperatura anómala	controlar la olla
E5/E6	irradiación del calor insuficiente	volver a encender el aparato después de que se haya enfriado

Esta es una lista de las averías más comunes.

No desmontar la encimera de inducción solos para evitar peligros y provocar daños mayores.

## SERVICIO ATENCIÓN AL CLIENTE

### Antes de contactar al Servicio Atención Clientes

En caso de que el producto no funcione, aconsejamos:

- comprobar si el enchufe está correctamente introducido en la toma de corriente.
- comprobar la tabla averías de arriba.

En caso de no localizar la causa del funcionamiento incorrecto:

apagar el aparato, no modificarlo y llamar al Servicio de Asistencia Técnica.

## Declaración especial

Todos los contenidos de este manual han sido atentamente controlados. Sin embargo, el productor no se asume responsabilidades por errores u omisiones en la impresión.

Además, en una eventual revisión del manual de instrucciones, se podrán introducir modificaciones técnicas sin aviso previo. La imagen del producto se refiere al modelo actual.



**ATENCIÓN:** no eliminar este producto entre los desechos domésticos. Tiene que ser eliminado separadamente.

Este electrodoméstico se ha producido según la directiva europea 2012/19/EC sobre la eliminación de los equipos eléctricos y electrónicos. Respetando las directivas impuestas sobre la eliminación de este dispositivo, se ayuda a prevenir eventuales daños al medioambiente y a la salud provocados por una eliminación equivocada.

Este símbolo indica que el producto no se puede eliminar como los normales desechos domésticos, sino a través de los centros de reciclaje de material eléctrico y electrónico.

Para más información sobre el tratamiento, la eliminación y el reciclaje de este producto, contactar con el servicio eliminación desechos local o dirigirse a la tienda donde se compró el artículo.

Soveltuvin osin tämän laitteen osat täyttävät seuraavat vaatimukset: ASETUS (EY) Nro 1935/2004 elintarvikkeiden kanssa kosketuksiin kosketuksiin joutuvista materiaaleista ja tarvikkeista.

## Turvallisuus ja huolto

- VAROITUS: Laite ja sen kosketettavissa olevat osat kuumenevat käytön aikana. Varo koskettamasta lämmitysvastuksia.
- Alle kahdeksanvuotiaita lapsia ei saa päästää laitteen lähelle ilman jatkuvaa valvontaa.
- Yli kahdeksanvuotiaat lapset ja henkilöt, joiden fyysinen tai henkinen toimintakyky on rajallinen tai joilla ei ole kokemusta tai tietoa laitteen käytöstä, voivat käyttää laitetta, jos heitä valvotaan tai heille on annettu ohjeita laitteen turvallisesta käytöstä ja siihen liittyvistä vaaroista.
- Lapset eivät saa leikkiä tällä laitteella.
- Lapset eivät saa puhdistaa tai huoltaa laitetta ilman valvontaa  
VAROITUS: Ruoan kypsentyminen öljyssä tai rasvassa ilman valvontaa on vaarallista ja voi aiheuttaa tulipalon.
- ÄLÄ KOSKAAAN yritä sammuttaa paloa vedellä, vaan kytke laite pois päältä ja yritä sitten tukahduttaa tuli esim. kannella tai sammutuspeitteellä.
- VAROITUS: Tulipalon vaara: älä säilytä mitään liesitasoilla.

- **VAROITUS:** Jos pinnassa on halkeama, kytke laite pois päältä välttääksesi sähköiskun vaaran.
  - Älä puhdistu laitetta höyrypesurilla.
  - Metalliesineitä, kuten veitsiä, haarukoita, lusikoita tai kansia ei pidä asettaa liesitasolle, koska ne saattavat kuumentua.
  - pyyhi roiskeet kannen päältä ennen sen avaamista.
  - liedenpinnan tulee antaa jäähtyä ennen kannen sulkemista.
  - Sammuta liesi säätimestä käytön jälkeen, älä luota pelkkään keittoastian tunnistimeen.
  - laitetta ei ole tarkoitettu käytettäväksi ulkoisen ajastimen tai erillisen kauko - ohjausjärjestelmän avulla.
- Kiinteästi kytketyn laitteen virran on oltava kytkettävissä pois säännösten mukaisesti.
- ohjeissa on mainittava käytettävän johdon tyyppi ottaen huomioon laitteen takapinnan lämpötila.
  - Jos virtajohto on vaurioitunut, sen saa vahinkojen välttämiseksi vaihtaa vain valmistaja tai tämän valtuuttama huoltomies tai henkilö, jolla on vastaava pätevyys.
  - **HUOMAUTUS:** Jotta vältetään ylikuumenemissuojan asetuksen vahingossa tapahtuvan muuttamisen aiheuttama vaara, laitteen virransyöttöä ei saa järjestää ulkoisen kytkentälaitteen, kuten ajastimen, kautta, eikä laitetta saa kytkeä virtapiiriin, jonka virta kytkeytyy säännöllisesti päälle ja pois päältä.

- Virrankatkaisumenetelmän on sisällyttävä kiinteään johdotukseen johdotusta koskevien määräysten mukaisesti.
- Ohjeet määrittävät käytettävän johdon tyyppin ottaen huomioon laitteen takapinnan lämpötilan.
- **VAROITUS:** Käytä ainoastaan liesisuojia, jotka on suunnitellut keittolaitteiden valmistaja tai jotka tämän laitteen valmistaja on maininnut sopiviksi käyttöohjeissaan tai jotka sisältyvät itse laitteeseen. Sopimattomien suojien käyttö voi aiheuttaa onnettomuuksia.
  - Käytä aina sopivia keittoastioita.
  - Aseta kattila aina keskelle sitä yksikköä, jota olet käyttämässä kypsennykseen.
  - Älä laita mitään ohjauspaneelin päälle.
  - Älä käytä pintaa leikkuualustana.
  - Lieden pinnan on annettava jäähtyä ennen kannen sulkemista.
  - **HUOMIO:** kypsennystä on valvottava. Lyhytaikaista kypsennystä on valvottava jatkuvasti.

## Arvoisa Asiakas,

Haluamme kiittää sinua siitä, että olet valinnut CANDYn induktiokeittotason. Tuotteen, josta on sinulle iloa vuosiksi eteenpäin.

Lue tämä ohjekirja huolellisesti ennen käyttöä ja säilytä se mahdollista tulevaa tarvetta varten.

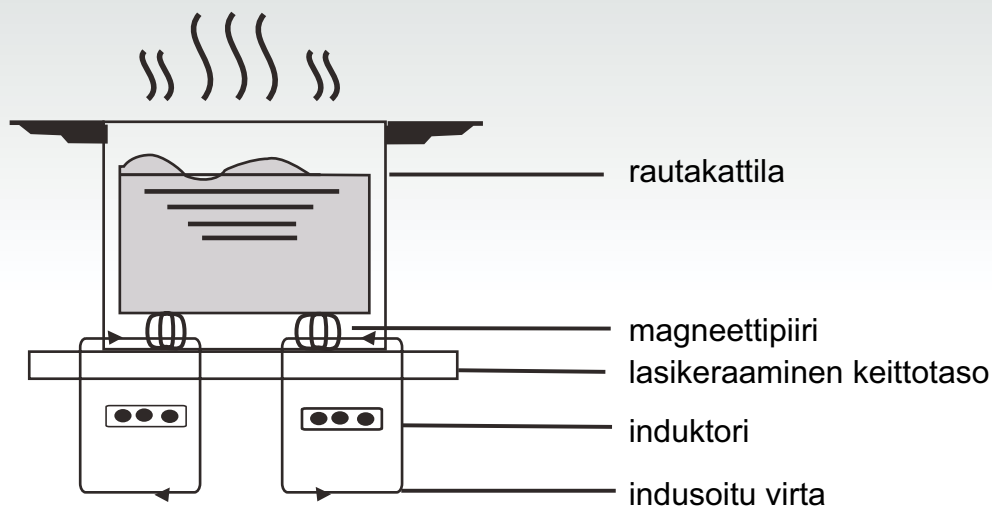
## Johdanto

Induktioketttotaso pystyy täyttämään kaikki tarpeet, jotka vaativat keittämistä sähkömagneettisen lämmityksen avulla. Kiitos monitoimisen ja mikrotietokoneistetun ohjausjärjestelmän, tämä on oikea valinta nykyaikaisille perheille.

Tämä keittotaso on valmistettu erityismateriaaleista ja sitä on erittäin helppo käyttää ja lisäksi se on kestävä ja varma.

## Toiminta

Induktioketttotaso koostuu sähkökierukasta, rautamagneettisesta laatasta ja ohjausjärjestelmästä. Sähkövirta tuottaa voimakkaan sähkömagneettisen kentän kierukan ympärillä. Tämä tuottaa sarjan aaltoja, jotka tuottavat lämpöä ja tämä lämpö vuorostaan siirtyy keittoastiaan keittotason välityksellä.



## Turvallisuus

Olemme suunnitelleet tämän keittotason kotitalouskäyttöön.

Olemme aina valmiita parantamaan tuotteitamme ja siksi varaamme oikeuden tehdä tekniseen kehitykseen liittyviä muutoksia.

### ● Ylikuumenemissuoja

Sensori kontrolloi lämpötilaa keittotason sisässä. Jos lämpötila ylittää turvatason, levy sammuu automaattisesti.

### ● Ilmoitus keittolevyllä olevista esineistä

Jos levyllä laitetaan kattila, jonka halkaisija on alle 80 mm tai pieniä esineitä (kuten veitsiä, haarukoita, avaimia) tai ei magneettinen kattila (esim. alumiinista valmistettu), akustinen ilmoitus laukeaa automaattisesti ja soi noin 1 minuutin ajan. Jos ongelma jatkuu, keittotaso menee automaattisesti valmiustilaan.

### ● Jälkilämmön hälytys

Kun keittolevyä käytetään pidemmän aikaa, saattaa jäädä jälkilämpöä. Näytössä näkyvä kirjain "H" varoittaa koskemasta keittotasoon.

### ● Suoja automaattisammutuksella

Automaattisammutus on yksi induktiokeittotason suojatoimista. Automaattisammutus aktivoituu automaattisesti, jos keittotaso on unohdettu päälle. Keittotason automaattisammutus riippuu käytetystä tehosta, kuten käy ilmi seuraavasta taulukosta:

Tehotaso	Aika, jonka jälkeen keittoalue sammuu automaattisesti
1-3	8 tuntia
4-6	4 tuntia
7-9	2 tuntia

Kun lopuksi kattila otetaan pois, induktiokeittotaso ei enää lämmitä ja 1 minuutin pituisen, akustisen merkinannon jälkeen keittotaso sammuu.

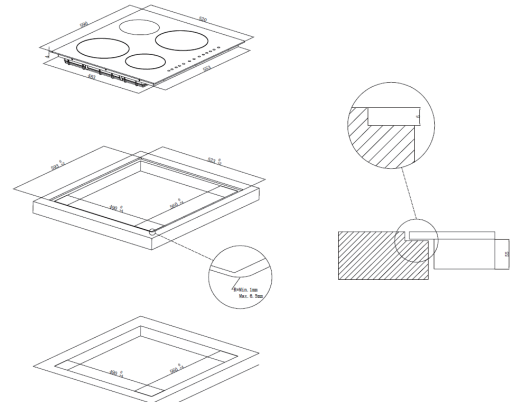
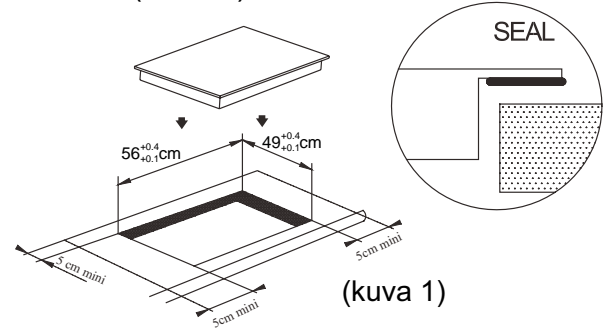
### Huomio

Sydämentahdistinta käyttävät henkilöt voivat käyttää tätä kotitalouskonetta ainoastaan lääkärin seurannassa.

## Asennus

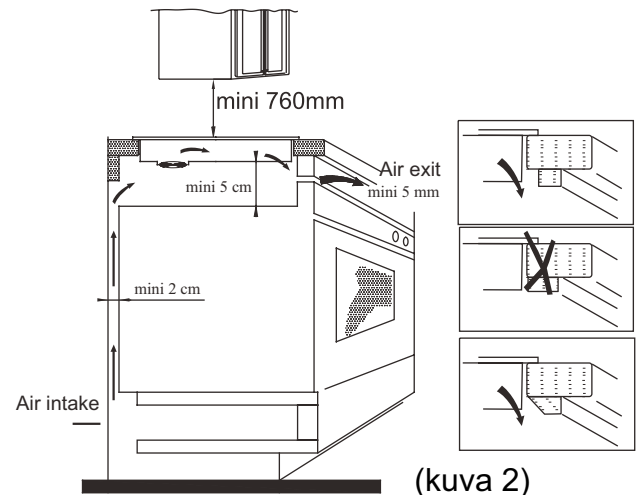
### Asennuksen suoritus

1. Tee reikä huonekalun pintaan kuvassa annettuja mittoja noudattaen. Oikea asennus vaatii vähintään 5 cm tilan tason ympärille. Varmista, että tuki johon taso upotetaan, on vähintään 30 mm paksu ja että sen valmistusmateriaali kestää korkeita lämpötiloja. Näin vältetään, ettei keittotason tuottama lämpö vääristä tuen muotoa (kuva 1).



Huuhtele asennus: mahdollista vain, jos uunia ei ole asennettu laskurin alle

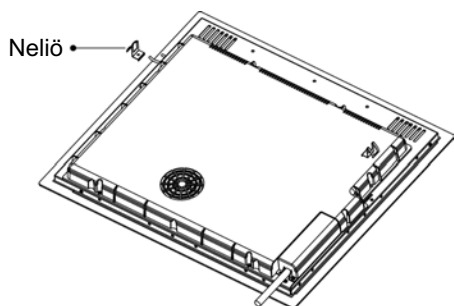
2. Varmista aina, että induktiokeittotaso on lujasti kiinni tukitasossa ja hyvin tuuletettu (kuva 2).





**Huomio:** keittotason ja sen yläpuolella mahdollisesti olevan elementin välillä on oltava ainakin 760 mm:n tila.

3. Asetettuasi keittotason, kiinnitä se tukitasoon neljällä neliöllä (kuten kuvassa). Säädä sitten jokainen neliö tukitason paksuuden mukaan.



### Varoimenpiteet

- (1) Induktiokennoston saa asentaa ainoastaan tehtävään koulutettu henkilökunta. Älä asenna itse.
- (2) Induktiokennoston ei saa asentaa jääkaappien, astianpesukoneiden tai kuivaajien päälle.
- (3) Induktiokennoston tulee asentaa niin, että voidaan taata optimaalinen käytettävissä oleva lämpö.
- (4) Keittotason alapuolella olevien seinien ja alueiden on oltava lämmönkestäviä.
- (5) Keittotason tukitasoon kiinnittävän ohuen kalvon on oltava lämmönkestävää vaurioiden välttämiseksi.

### 4. Sähkökytkennät

Kytkenään sähköverkkoon saa suorittaa ainoastaan tehtävään koulutettu henkilökunta ja kytkentä on tehtävä voimassaolevia normeja noudattaen. Keittotason kytkentätavat on annettu kuvassa 3:

Jännite	Johtojen liitännät				
380-415V 3N~	1	2	3	4	5
	L1	L2	N		
220-240V ~	1	2	3	4	5
	L		N		
	Musta	Ruskea	Sininen	Keltainen/vihreä	
	musta ja Ruskea	Sininen	Keltainen/vihreä		

Varmista, että sähkölaitteisto on varustettu tehokkaalla maattokytkennällä säädösten ja määräysten mukaan. Maadoitus on pakollista.

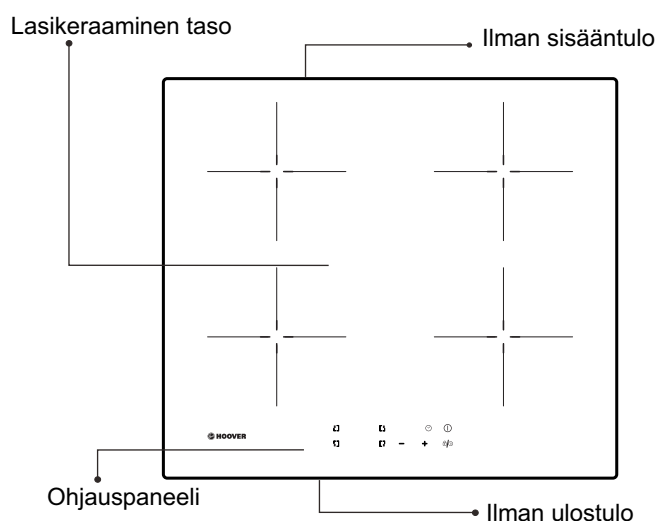
Valmistaja ei ole vastuussa vahingoista henkilöille tai esineille, jotka johtuvat tämän säädöksen noudattamatta jättämisestä.

Jos laitteesta puuttuu pistoke, liitä kaapeliin standardisoitu pistoke, joka kestää kilvessä ilmoitetun kuormituksen.

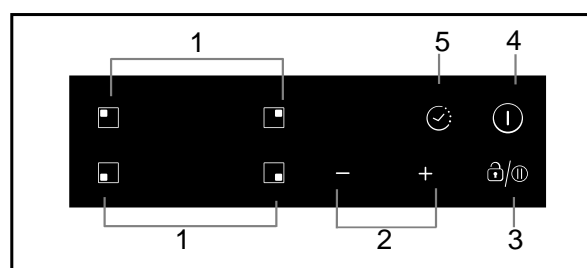
Jos halutaan kiinteä liitäntä verkkoon, on laitteen ja verkon välille asennettava moninapainen katkaisin, jonka kontaktien väli on ainakin 3 mm.

Jos kaapeli on vaurioitunut, saa sen vaihtaa ainoastaan tehtävään pätevä henkilökunta. Kaapeli ei saa taittaa tai litistää.

## Induktiokennoston kuvaus



## Ohjauspaneelin kaavio

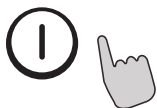


1. Kuumennusalueen valintasäätimet
2. Tehon / Ajastimen säätönäppäin
3. Näppäinlukko/Taukosäädin
4. PÄÄLLÄ/POIS-säädin
5. Ajastimen säädin

## Käyttöohjeet

### Valmistelut ennen käyttöä:

Heti keittotason sytyttämisen jälkeen kuuluu akustinen signaali ja kaikki valodiodit vilkkuvat 1 sekunnin ajan osoittaen keittotason olevan valmiustilassa. Aseta kattila valitulle keittoalueelle

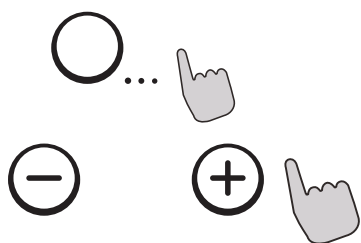


### Toimintaohjeet

Painikkeen "ON/OFF" painamisen jälkeen kaikki valodiodit näyttävät merkkiä "-". Valitse keittoalue, jossa kattila on. Valitun alueen tehotason valodiodi vilkkuu. Paina painikkeita "+" tai "-", näytössä näkyy standardiasetuksena 5. Säädä painikkeilla "+" tai "-" haluttu tehotaso. Painamalla yhtä aikaa painikkeita "+" ja "-", aikaisemmat asetukset nollataan ja keittotason alue sammuu.

Katso taulukosta sivulla 55 keittotason eri alueiden tehot.

**Huomio:** painettuasi painiketta "ON/OFF", induktiokeittotaso pysyy valmiustilassa jos mitään toimenpiteitä ei tehdä 1 minuuttiin.



### AJASTIN-toiminto (TIMER)

Painamalla TIMER-painiketta, valodiodi vilkkuu näytössä ja ajan säätäminen on mahdollista. Painikkeilla "+" tai "-" voidaan aika säätää välillä 1 – 99 minuuttia. Painamalla painiketta "+" asetusta kasvaa 1

minuutin kerrallaan; painamalla painiketta "-" asetusta pienenee 1 minuutin kerrallaan. Kun asetettava aika ylittää 99 minuuttia, ajastin menee nolnaan automaattisesti. Painamalla yhtä aikaa painikkeita "+" ja "-" näyttö palaa 0:aan.



### Vahvasta ajastintoiminto (TIMER)

1. Valitse etukäteen valitun keittoalueen teho, paina painiketta "timer" ja aseta aika.
2. Kun ajastin on vilkkunut noin 5 sekuntia, asetettu aika vahvistetaan automaattisesti.
3. Ajan asetuksen jälkeen, paina "TIMER" varmistaaksesi halutun asetuksen.
4. Kun "Ajastin" on vahvistettu, tulee näkyviin piste valitun alueen tehotason oikeaan alakulmaan.

### Ajastintoiminnon peruutus (TIMER)

Paina painiketta "timer" 5 sekuntia peruuttaaksesi edellä asetetun toiminnon.

Näytössä näkyy 0.

### Turvatoiminto

lasten turvallisuuden vuoksi, induktiokeittotaso on varustettu lukituslaitteella.

Lukitaksesi paina lukituspainiketta (Interlock): keittotaso lukittuu, ajastimen näytössä näkyy symboli "Lo" ja kaikki muut toiminnot ovat poissa päältä.

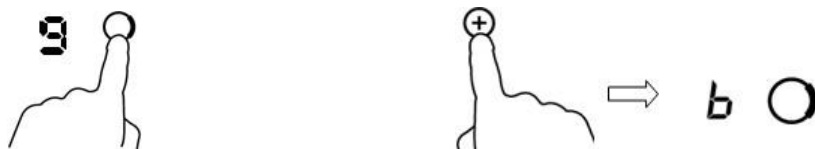
### Lukituksen avaaminen

Pidä lukituslaitteen (Interlock) painiketta painettuna 2 sekunnin ajan.



## Tehotila

Kosketa kuumennusalueen valintasäädintä ja kosketa sitten "+". Varmista, että näytöllä näkyy "9". Kosketa "+" -painiketta uudelleen, alueen osoitin näyttää "b" ja teho saavuttaa maksimin



## Peruuta tehotila

Koskettamalla "-" -painiketta peruuta tehotila ja sitten kypsennysalue palautuu sen alkuperäiseen asetukseen.

Kosketa "-" ja "+" -säädintä yhdessä. Kypsennysalue kytkeytyy pois päältä ja tehotoiminto peruutetaan automaattisesti.



- Kypsennysalue palautuu sen alkuperäiseen asetukseen 5 minuutin kuluttua

**Huomaa:** Suositellaan, että liesituuletin kytketään päälle muutamia minuutteja ennen kypsennyksen aloittamista ja että se kytketään pois muutama minuutti kypsennyksen päättymisen jälkeen.

## Taukotila

- Voit asettaa kuumennuksen taukotilaan lieden sammuttamisen sijasta.
- Kun siirrytään taukotilaan, kaikki säätimet lukuun ottamatta PÄÄLLÄ/POIS-säädintä ovat pois käytöstä.

Taukotilaan siirtyminen	
Kosketa lukitus/taukosäädintä.	Kaikki osoittimet näyttävät "11"
Säätimien lukituksen poistaminen	
Kosketa lukitus/taukosäädintä.	



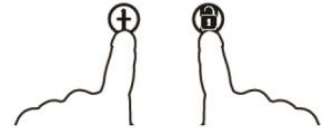
Kun liesi on taukotilassa, kaikki säätimet ovat pois käytöstä lukuun ottamatta PÄÄLLÄ/POIS-säädintä (1), voit aina sammuttaa induktiolieden PÄÄLLÄ/POIS (1) säätimellä hätätilanteessa.

## Tehon hallintatoiminto

- On mahdollista asettaa maksimi ottotehotaso induktioliedelle, valitsemalla eri tehoalueita.
- Induktioliedet kykenevät rajoittamaan itseään automaattisesti ja toimimaan alhaisemmalla tehotasolla, jotta vältetään ylikuormitusvaara.

### Siirry tehon hallintatoimintoon

Kytke liesi päälle ja paina sitten samalla seuraavia: "+" (ajastin) ja näppäinlukko.



Ajastimen osoittimessa näkyy "P5" ja tämä tarkoittaa tehotasoa 5. Oletustila on 7,0 kW/ 7,1 kW.

### Siirry toiselle tasolle

Painamalla +/- ajastimessa voit siirtyä 5 tehotasolle, "P1" - "p5". Ajastimen osoitin näyttää yhden niistä.

"P1" : maksimiteho on 2,5 kW.

"P2" : maksimiteho on 3,5 kW.

Ajastimen osoittimessa näkyy "P5" ja tämä tarkoittaa tehotasoa 5. Oletustila on 7,0 kW/ 7,1 kW.

"P3" : maksimiteho on 4,5 kW.

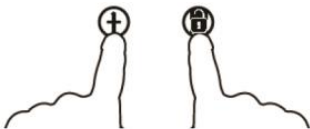
"P4" : maksimiteho on 5,5 kW.

"P5" : maksimiteho on 7,0 kW/ 7,1 kW.



### Vahvistaminen ja tehon hallintatoiminnosta poistuminen

Vahvista painamalla samanaikaisesti: + (ajastin) ja näppäinlukko.



Sitten liesi kytketään pois päältä.

## Kattiloiden valinta



valurautapaistinpannu  
paistettuja ruokia varten



teräskattila



valurautakasari



valurautapannu



emaloitu teräskeitin



emalikattila



valurauta-astia

1. On olemassa laaja valikoima sopivia astioita käytettäväksi induktiokeittotasolla. Tämä keittotaso tunnistaa ne ja testaa ne käyttämällä yhtä seuraavista tavoista: Aseta kattila keittoalueelle. Jos keittoalueen näyttöön ilmestyy teho, kattila on sopiva. Jos taas ilmestyy symboli "U", kattila ei sovi induktiokeittotasolle.
2. Laita magneetti kattilaan. Jos kattila vetää magneettia puoleensa, on kattila sopiva käytettäväksi induktiokeittotasolla.

**HUOM:** Kattilan pohjan on oltava materiaalista, joka mahdollistaa magneettisen induktion.

Kattilan pohjan on oltava tasainen ja halkaisijan on oltava yli 14 cm.

## Puhdistus ja huolto

Keittotason pinta on puhdistettava seuraavalla tavalla:

Likatyypit	Miten puhdistetaan	Puhdistukseen käytettävä väline
vähän likainen	kuumalla vedellä, kuivaa sen jälkeen	sieni
erittäin likainen	kuumalla vedellä ja kuivaa sitten lasikeramiikalle tarkoitettulla hankaussienellä.	lasikeramiikalle tarkoitettu erikoissieni
pinttynyt lika	Kaada vaaleaa etikkaa kohtiin, joissa on pinttynyttä likaa ja puhdisti pehmeällä rievulla tai käytä tähän tarkoitukseen olevaa puhdistusainetta.	lasikeramiikalle tarkoitettu tarrapaperi
sulanut sokeri, muovi tai alumiini	poistaaksesi jäänteet käytä lasikeramiikalle tarkoitettua raappaa (lasin suojelemiseksi on parempi käyttää silikonipohjaista tuotetta).	lasikeramiikalle tarkoitettu tarrapaperi

**Huomio:** kytke kodinkone irti ennen puhdistamista.

## Vikailmoitus ja tarkistus

Vian ilmetessä induktiokeittotaso laittaa päälle automaattisesti suojaominnon ja näytössä näkyvät seuraavat koodit:

Ongelma	Mahdolliset syyt	ratkaisu
F0/F1/F2	vika tuulettimessa	ota yhteyttä myyjään
F3-F8	lämpötila-anturissa vika	ota yhteyttä myyjään
E1/E2	normaalista poikkeava sähköjännite	tarkista sähkön syöttö ja tämän jälkeen laita laite uudelleen päälle.
E3/E4	normaalista poikkeava lämpötila	tarkista kattila
E5/E6	riittämätön lämmön säteily	sytytä laite uudestaan sen jälkeen kun se on jäähtynyt

Tämä on luettelo yleisimmistä vioista.

Vältäaksesi vaarat ja välttääksesi aiheuttamasta isompia vahinkoja, älä purkaa itse induktiokeittotasoa.

## ASIAKASPALVELU

### Ennen tekniseen tukeen soittamista

Jos laite ei toimi suosittlemme:

- tarkistamaan, että pistoke on kunnolla laitettu pistorasiaan;
- tarkistamaan yllä annetun taulukon yleisimmistä vioista.

Jos vian syytä ei löydy:

sammuta laite ja soita tekniseen tukeen.

## Eritysilmoitus

Tämän käsikirjan sisältö on tarkastettu huolella. Valmistaja ei ole vastuussa painossa tapahtuneista virheistä tai puuttuvista osista.

Lisäksi ohjekirjan tarkistuksen yhteydessä, mahdolliset tekniset muutokset voidaan lisätä ilman etukäteisilmoitusta. Tuotteen kuva viittaa tämänhetkiseen tuotteeseen.



**HUOMIO:** älä hävitä tätä laitetta yleisjätteen seassa. Laite on hävitettävä erikseen.

Lisätietoja hävittämisestä ja kierrätyksestä saa paikallisilta jätteiden hävityksestä vastaavilta viranomaisilta tai siitä liikkeestä, josta tuote on ostettu.

Tämä kodinkone on valmistettu sähkö- ja elektronisten laitteiden hävitystä koskevan direktiivin 2012/19/EC mukaan.

Laitteen hävittäminen direktiivejä noudattaen auttaa ehkäisemään ympäristölle ja terveydelle aiheutuvia vahinkoja, jotka olisivat mahdollisia jos laite hävitettäisiin muulla tavalla.

Tämä symboli osoittaa, että tuotetta ei voi hävittää tavallisten kotitalousjätteiden seassa, vaan se on toimitettava sähkö ja elektronisten laitteiden kierrätyskeskukseen.

Soweit zutreffend entsprechen die Komponenten dieses Geräts: EG-VERORDNUNG 1935/2004 über Materialien und Gegenstände, die dazu bestimmt sind, mit Lebensmitteln in Berührung zu kommen.

## **Sicherheit und Wartung**

- Verwenden Sie einen speziellen Sicherheits-Versorgungsschalter.
- Nur für die Verwendung in Innenräumen bestimmt.
- Das Induktions-Kochfeld nie direkt mit Wasser reinigen.
- Das Induktions-Kochfeld nie in der Nähe von Gas- oder Kerosinöfen verwenden.
- Nie in Dosen verpackte Speisen aufwärmen, ohne die Dose vorher zu öffnen, um zu vermeiden, dass diese durch die hitzebedingte Ausdehnung explodiert.
- Nach einer längeren Verwendung bleibt die Kochzone sehr heiß. Um Verbrennungen zu vermeiden, die Oberfläche des Kochfelds nicht berühren.
- Regelmäßig sichergehen, dass die Luftzirkulation unter dem Kochfeld nicht behindert ist (Verstopfung durch Glas, Papier, usw.).
- Keine Metallgegenstände wie Messer, Gabeln, Löffel und Deckel auf dem Kochfeld liegen lassen, um deren Erhitzung zu vermeiden.



- Sollte das Versorgungskabel beschädigt werden, darf es nur von technischem Fachpersonal ausgetauscht werden.
- Unter dem Induktions-Kochfeld keine Spül- und Reinigungsmittel oder entflammbare Materialien aufbewahren.
- Sollte die Oberfläche des Kochfeldes einen Riss aufweisen, Gerät ausschalten, um elektrische Schläge zu vermeiden.
- Keine Kochtöpfe mit rauem Boden verwenden, damit die Glaskeramik-Oberfläche des Kochfeldes nicht beschädigt wird.
- Das Kochfeld regelmäßig reinigen, um Schmutzansammlungen zu vermeiden, durch die der einwandfreie Betrieb des Elektrohaushaltsgeräts beeinträchtigt wird.
- **WARNUNG:** Das Gerät und die zugänglichen Teile des Gerätes werden während des Betriebs heiß. Das Berühren der heißen Geräteteile sollte vermieden werden.
- Kinder unter 8 Jahren sollten ohne Aufsicht nicht in die Nähe des Gerätes gelassen werden.
- Dieses Gerät ist nicht bestimmt zum Gebrauch durch Personen (einschließlich Kindern) mit beeinträchtigten körperlichen, sensorischen oder geistigen Fähigkeiten oder durch Personen, die keine entsprechenden Erfahrungen oder Kenntnisse besitzen, es sei denn, sie werden beaufsichtigt oder angewiesen durch eine Person, die für ihre Sicherheit verantwortlich ist.
- Kinder dürfen nicht mit dem Gerät spielen.
- Die Reinigung und Wartung des Gerätes darf nicht durch Kinder ohne Aufsicht durchgeführt werden.

- **WARNUNG:** unbeaufsichtigtes Kochen auf dem Herd mit Fett oder Öl kann gefährlich sein und Feuerentstehung verursachen.
- Versuchen Sie **NIEMALS** das Feuer mit Wasser zu löschen; schalten Sie den Herd aus und bedecken sie die Flamme mit z.B. einem Deckel oder einer Feuerlöschdecke.
- **WARNUNG: FEUERGEFAHR** - Bewahren Sie keine Gegenstände auf der Herdoberfläche auf.
- Nutzen Sie kein Dampfreinigungsgerät zur Reinigung des Ofens.
- Nach dem Gebrauch schalten Sie das Gerät bitte aus.
- Das Gerät sollte nicht durch einen externen Timer oder eine Fernbedienung gesteuert werden.
- Die Abschaltung muss mit einer festen Verdrahtung im Einklang mit den Verkabelungsregeln durchgeführt werden.
- Die Bedienungsanleitung legt die Art des Kabels, das genutzt werden soll, in Abhängigkeit von der Maximal- Temperatur des Geräts fest.
- Ist das Gerätekabel beschädigt, muss es durch den Kundendienst/Hersteller oder ähnlich qualifizierten Personen ersetzt werden, um elektrische Schläge zu vermeiden.
- **ACHTUNG:** Um elektrische Schläge durch unbeabsichtigtes Zurückstellen des Wärmerelais zu vermeiden, sollte das Gerät nicht über eine externe Schalteinrichtung versorgt werden, wie beispielsweise ein Timer oder einem Stromkreislauf, der regelmäßig ausgeschaltet wird.

- Trennschalter müssen in die Stromversorgung gemäß den Verdrahtungsregeln erfolgen.
- Diese Anweisungen legen den zu verwendenden Kabeltyp unter Berücksichtigung der Temperatur der hinteren Geräteoberfläche fest.
- **WARNUNG:** Verwenden Sie ausschließlich einen Kochfeldschutz, der vom Hersteller des Kochgeräts entwickelt wurde, vom Gerätehersteller in der Bedienungsanleitung als geeignet genannt wird oder Bestandteil des Kochfelds ist. Die Benutzung eines ungeeigneten Kochfeldschutzes kann zu Unfällen führen.
  - Benutzen Sie stets geeignetes Kochgeschirr.
  - Stellen Sie das Kochgefäß immer in die Mitte des jeweiligen Kochfelds.
  - Stellen Sie nichts auf das Bedienfeld.
  - Benutzen Sie das Kochfeld nicht als Schneidunterlage.
  - Das Kochfeld muss abkühlen, bevor die Abdeckung geschlossen wird.
  - **ACHTUNG:** Der Kochvorgang muss beaufsichtigt werden. Ein kurzzeitiger Kochvorgang muss permanent überwacht werden.

## Sehr geehrter Kunde!

Wir danken Ihnen für den Kauf des CANDY Induktions-Kochfeldes. Dieses Produkt wird Ihren Ansprüchen sicherlich viele Jahre lang gerecht werden.

Lesen Sie dieses Handbuch vor der Verwendung aufmerksam durch und bewahren Sie es sorgfältig auf, damit es im Bedarfsfall auch in Zukunft konsultiert werden kann.

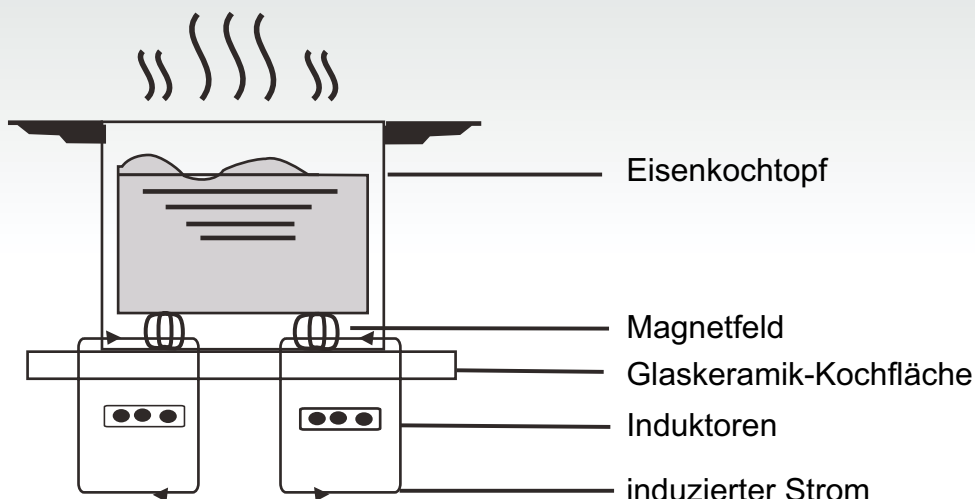
## Einleitung

Dank eines Multifunktions-Kontrollsystems mit Mikrocomputer ist das Induktions-Kochfeld imstande, zahlreichen Kocharten durch elektromagnetische Erhitzung gerecht zu werden: Die richtige Wahl für moderne Familien.

Dieses Elektrohaushaltsgerät wurde aus speziellen Materialien hergestellt, es gewährleistet einfachste Handhabung und ist widerstandsfähig und sicher.

## Funktionsprinzip

Das Induktions-Kochfeld besteht aus einer Magnetspule, einer Platte aus ferromagnetischem Material und einem Kontrollsystem. Der elektrische Strom erzeugt ein starkes elektromagnetisches Feld um die Magnetspule. Dies führt zur Entstehung einer Reihe von Wellen, die Wärme erzeugen, die in der Folge von der Kochfeldoberfläche auf den Kochtopf übertragen werden.



## Sicherheit

Dieses Kochfeld wurde für die Verwendung im Haushalt entwickelt.

Wir legen stets größten Wert darauf, unsere Produkte zu verbessern und behalten uns das Recht vor, infolge neuer technischer Entwicklungen Änderungen vorzunehmen.

● **Überhitzungsschutz**

Ein Sensor kontrolliert die Temperatur innerhalb der Kochzone. Wenn die Temperatur das Sicherheitsniveau überschreitet, schaltet sich die Kochzone automatisch ab.

● **Meldung von Gegenständen auf dem Kochfeld**

Wenn ein Kochtopf mit einem Durchmesser von weniger als 80 mm, kleine Gegenstände (wie Messer, Gabeln, Schlüssel) oder ein nicht magnetischer Kochtopf (beispielsweise aus Aluminium) auf die Kochzone gestellt bzw. gelegt werden, kommt es zur automatischen Auslösung eines akustischen Signals, das etwa 1 Minute lang ertönt. Wenn das Problem nicht behoben wird, geht das Induktionskochfeld automatisch in den Standby-Betrieb über.

● **Restwärme-Alarm**

Wenn das Kochfeld für einen langen Zeitraum verwendet wird, könnte Restwärme vorhanden sein. Der Buchstabe „H“ auf dem Display warnt davor, die Oberfläche zu berühren.

● **Schutz durch automatische Ausschaltfunktion**

Die Selbstausschaltung ist eine weitere Sicherheitsfunktion Ihres Induktions-Kochfeldes, die automatisch eingreift, wenn Sie vergessen, die Kochmulde auszuschalten. Die automatische Ausschaltung des Kochfeldes hängt von der verwendeten Intensitätsstufe ab, siehe unten stehende Tabelle:

Intensitätsstufe	Der Kochbereich schaltet sich automatisch aus nach
1-3	8 Stunden
4-6	4 Stunden
7-9	2 Stunden

Wenn der Kochtopf nach beendeter Garzeit entfernt wird, erhitzt sich das Induktions-Kochfeld nicht mehr und nach dem akustischen Signal, das 1 Minute lang dauert, schaltet es sich aus.

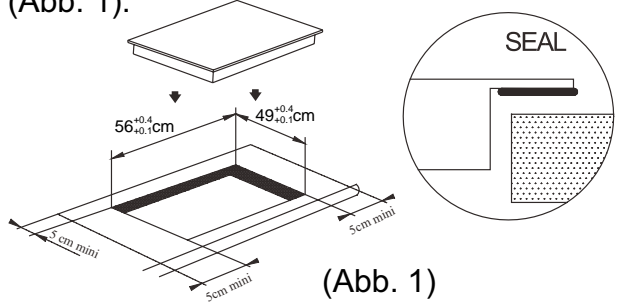
**Hinweis:**

Personen mit Herzschrittmacher dürfen dieses Elektrohaushaltsgerät nur unter Aufsicht ihres Arztes verwenden.

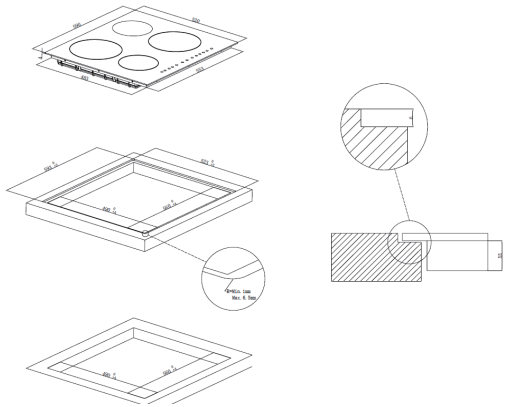
## Installation

**Vorgangsweise bei der Installation**

1. Die Möbeloberfläche gemäß den Angaben auf der Zeichnung bohren; zur korrekten Installation muss rund um das Kochfeld ein Freiraum von mindestens 5 cm eingeplant werden. Sichergehen, dass die Basis, in die die Kochmulde eingebaut wird, mindestens 30 mm dick ist und dass das Basismaterial hohen Temperaturen standhält, um zu vermeiden, dass diese sich durch die vom Kochfeld erzeugte Hitze verformt (Abb. 1).

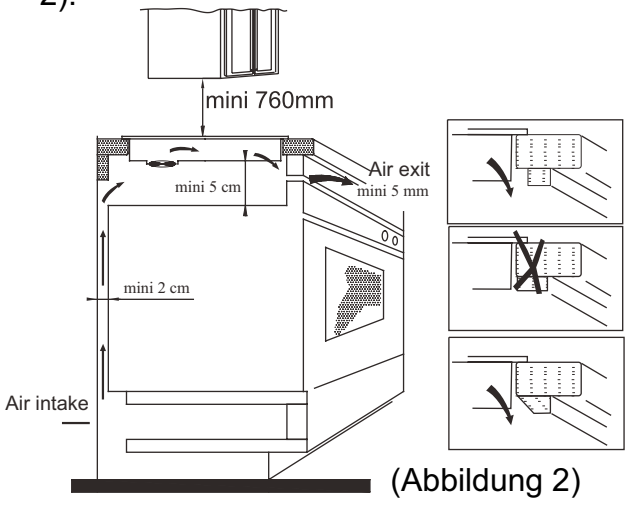


(Abb. 1)



Unterputzinstallation: nur möglich, wenn der Ofen nicht unter der Theke installiert ist

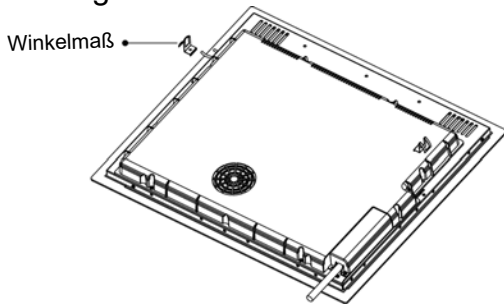
2. Stets sichergehen, dass das Induktions-Kochfeld fest auf der Auflagefläche aufliegt und es gut belüftet ist (Abbildung 2).



(Abbildung 2)

**Hinweis:** Zwischen Kochfeld und eventuell darüber befindlichen Elementen muss ein Freiraum von mindestens 760 mm vorgesehen sein.

3. Nachdem das Kochfeld korrekt eingesetzt wurde, mit vier Winkelmaßen an der Auflagefläche befestigen (siehe Abbildung). Dann jedes einzelne Winkelmaß je nach Dicke der Auflagefläche einstellen.



### Vorsichtsmaßnahmen

- 1) Das Induktions-Kochfeld muss von technischem Fachpersonal installiert werden. Nehmen Sie die Installation nicht alleine vor.
- 2) Das Induktions-Kochfeld darf nicht auf Kühlschränken, Geschirrspülmaschinen oder Waschmaschinen montiert werden.
- 3) Das Induktions-Kochfeld muss so installiert werden, dass eine optimale Hitzeabfuhr gewährleistet ist.
- 4) Die Wand und der Bereich unter dem Induktions-Kochfeld müssen hitzefest sein.
- 5) Um Schäden zu vermeiden muss die dünne Folie, mit der das Kochfeld an die Auflagefläche geklebt ist, hitzefest sein.

### 4. Elektrischer Anschluss

Der Anschluss an das Stromnetz muss von Fachpersonal und gemäß den geltenden Vorschriften vorgenommen werden. Die Anschlüsse für das Kochfeld sind auf Abbildung 3 dargestellt.

Spannung	Drahtverbindung				
380-415V 3N~	1	2	3	4	5
	L1	L2	N		
	Schwarz	Braun	Blau	Gelb/Grün	
220-240V~	1	2	3	4	5
	L		N		
	Schwarz & Braun		Blau	Gelb/Grün	

Sichergehen, dass die elektrische Anlage gemäß den Vorschriften und gesetzlichen Bestimmungen über einen wirksamen Erdschluss verfügt. Die Erdung ist obligatorisch.

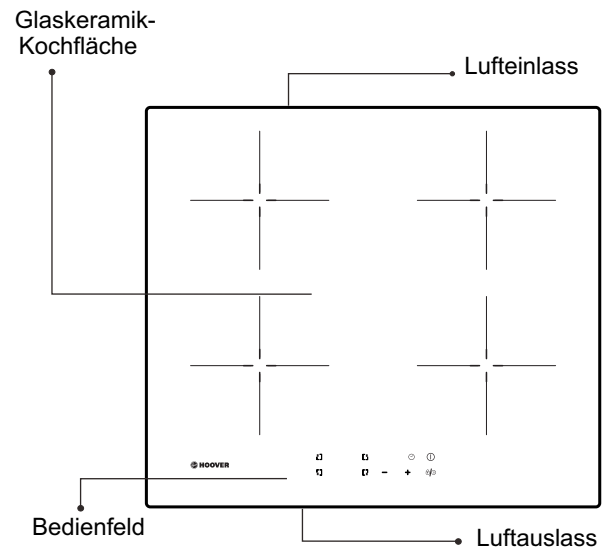
Die Herstellerfirma übernimmt keine Haftung für etwaige Schäden an Personen oder Sachen, die durch die Nichtbeachtung dieser Vorschrift verursacht wurden.

Wenn das Gerät über keinen Stecker verfügt, am Kabel einen genormten Stecker anbringen, der die auf dem Kennschild angegebene Last aushalten kann.

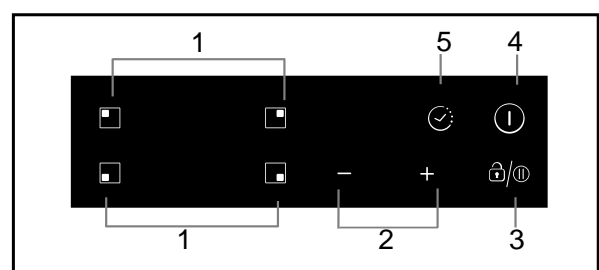
Ist ein fester Netzanschluss gewünscht, muss zwischen Gerät und Stromnetz eine allpolige Ausschaltvorrichtung geschaltet werden; der Abstand zwischen den Kontakten muss mindestens 3 mm betragen. Beschädigte Kabel dürfen nur von Fachpersonal ausgetauscht werden.

Das Kabel darf nicht geknickt oder gequetscht werden.

### Beschreibung des Induktions-Kochfeldes



### Schematische Darstellung des Bedienfeldes



1. Taste Kochzonenwahl
2. Taste Leistungs-/Zeiteinstellung
3. Tastensperre/Pause
4. Taste EIN/AUS
5. Taste Zeitschaltuhr

## Gebrauchsanleitung

### Vorbereitung vor der Verwendung:

Unmittelbar nach dem Einschalten gibt das Kochfeld ein akustisches Signal ab, alle LEDs blinken 1 Sekunde lang und zeigen damit an, dass sich das Kochfeld im Standby-Betrieb befindet.

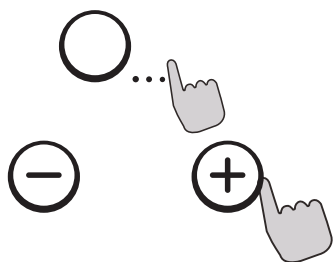
Den Kochtopf auf die gewählte Kochzone stellen.



### Betriebsanleitung

Nach Betätigung der "ON/OFF"-Taste zeigen alle LEDs das Symbol "-" an. Die Kochzone wählen, auf der sich der Kochtopf befindet; die LED für die Leistungsstufe der gewählten Zone blinkt. Dann die Tasten "+" oder "-" drücken; das Display zeigt als Standard 5 an, die gewünschte Intensitätsstufe mit den Tasten "+" und "-" einstellen. Durch gleichzeitige Betätigung der Tasten "+" und "-" werden die vorherigen Einstellungen nullgestellt und die Kochzone schaltet sich aus. Für die spezifische Leistung jeder Kochzone siehe die Tabelle auf Seite 63.

**Hinweis:** Nach Betätigung der "ON/OFF"-Taste bleibt das Induktions-Kochfeld im Standby-Betrieb, wenn innerhalb von 1 Minuten keine weitere Betätigung erfolgt.



### TIMER-Funktion

Nach Betätigung der TIMER-Taste blinkt die LED auf dem Display und somit kann die Zeit eingestellt werden. Mit den Tasten "+" oder "-" kann die Zeit von 1 bis 99 Minuten

eingestellt werden. Bei Betätigung der Taste "+" wird die Einstellung jeweils um 1 Minute erhöht; bei Betätigung der Taste "-" wird die Einstellung jeweils um 1 Minute verringert. Wenn mehr als 99 Minuten eingestellt werden, kehrt der Timer automatisch auf den Wert 0 zurück. Durch gleichzeitige Betätigung der Tasten "+" und "-" kehrt das Display auf 0 zurück.



### Bestätigung der TIMER-Funktion

1. Die Leistung für die gewählte Kochzone auswählen, die "Timer"-Taste drücken und die Zeit einstellen.
2. Nachdem der Timer etwa 5 Sekunden lang geblinkt hat, wird die eingestellte Zeit automatisch bestätigt.
3. Nach der Zeiteinstellung "TIMER" drücken, um die gewünschte Einstellung zu überprüfen.
4. Nachdem der „Timer“ bestätigt wurde, erscheint ein Punkt unten rechts an der Leistungseinstellung für die gewählte Kochzone.

### Nullstellung der TIMER-Funktion

Die "Timer"-Taste 5 Sekunden lang drücken, um die vorher eingestellte Funktion zu löschen. Das Display zeigt daraufhin 0 an.

### Sicherheitsmodus

Die Kindersicherung ist durch eine Verriegelungsvorrichtung auf dem Induktionskochfeld gewährleistet.

Um die Kindersicherung zu aktivieren, drücken Sie die Sensortaste "Verriegelung". Das Kochfeld wechselt nun in den Verriegelungsmodus. Der Timer zeigt "Lo" an. Alle anderen Sensortasten bis auf die "ON/OFF"-Taste sind nun gesperrt.

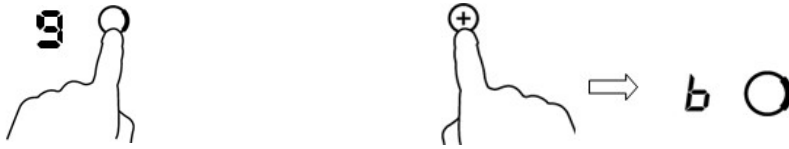
### Entsperren

Drücken Sie die Sensortaste "Verriegelung" für 2 Sekunden. Das Kochfeld wechselt nun in den Standard-Modus zurück.



## Boost-Modus

Betätigen Sie die Kochzonenauswahl und dann „+“. Achten Sie darauf, dass auf der Anzeige „9“ steht. Betätigen Sie erneut „+“. Die Kochzonenanzeige zeigt „b“ und erreicht ihre Maximalleistung.



## Boost-Modus abschalten

Betätigen Sie die Taste „-“, um die Boost-Funktion abzuschalten. Die Kochzone kehrt daraufhin zur ursprünglichen Einstellung zurück. Tasten „-“ und „+“ gleichzeitig berühren. Die Kochzone wird ausgeschaltet und die Boost-Funktion automatisch gestoppt.



- Die Kochzone kehrt nach 5 Minuten zur ursprünglichen Einstellung zurück



**Hinweis:** Die Dunstabzughaube sollte einige Minuten vor dem Kochvorgang eingeschaltet und einige Minuten nach Abschluss des Kochvorgangs wieder ausgeschaltet werden.

## Pausenmodus

- Anstatt das Kochfeld auszuschalten, können Sie den Heizvorgang unterbrechen.
- Bei aktiviertem Pausenmodus sind bis auf die Funktion EIN/AUS alle Berührungstasten funktionslos.

Pausenmodus aktivieren	
Betätigen Sie die Tastensperre/Pause.	Alle Anzeigen zeigen jetzt „11“.
Sperrdeaktivieren	
Betätigen Sie die Tastensperre/Pause.	



Wenn das Kochfeld gesperrt ist, sind bis auf die Funktion EIN/AUS  alle Berührungstasten deaktiviert. Im Notfall können Sie das Induktionskochfeld über die Funktion EIN/AUS  jederzeit ausschalten, müssen es bei der nächsten Inbetriebnahme dann aber erst wieder entsperren.

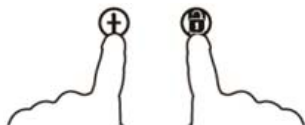


## Power-Management-Funktion

- Es besteht die Möglichkeit, durch Auswahl unterschiedlicher Leistungsbereiche ein maximales Leistungsaufnahmeniveau für das Induktionskochfeld einzustellen.
- Induktionskochfelder können sich selbst automatisch begrenzen, um auf einem geringeren Leistungsniveau zu arbeiten und dadurch eine Überlastung zu vermeiden.

### Aktivieren der Power-Management-Funktion

Schalten Sie das Kochfeld ein und drücken Sie dann gleichzeitig auf „+“ (Timer) und die Tastensperre.



Die Timer-Anzeige zeigt „P5“ für Leistungsstufe 5. Der Standardmodus beträgt 7,0 kW / 7,1 kW.

### Wechseln der Leistungsstufe

Drücken Sie am Timer auf „+/-“. Es gibt 5 Leistungsstufen: von „P1“ bis „P5“. Eine davon wird auf der Timer-Anzeige angezeigt.

„P1“ : die maximale Leistung beträgt 2,5 kW.

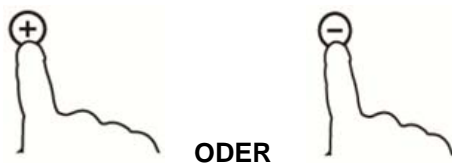
„P2“ : die maximale Leistung beträgt 3,5 kW.

Die Timer-Anzeige zeigt „P5“ für Leistungsstufe 5. Der Standardmodus beträgt 7,0 kW / 7,1 kW.

„P3“ : die maximale Leistung beträgt 4,5 kW.

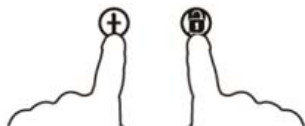
„P4“ : die maximale Leistung beträgt 5,5 kW.

„P5“ : die maximale Leistung beträgt 7,0 kW / 7,1 kW.



### Bestätigen und Beenden der Power-Management-Funktion

Drücken Sie zur Bestätigung gleichzeitig auf „+“ (Timer) und die Tastensperre.



Das Kochfeld wird daraufhin ausgeschaltet.

## Geeignete Kochbehälter



Eisenpfanne zum Frittieren



Kochtopf aus rostfreiem Stahl



Flacher Eisenkochtopf



Eisenpfanne



Wasserkessel aus emailliertem rostfreiem Stahl



Emaillierter Kochtopf



Eisenplatte

1. Es gibt zahlreiche Behälter, die zum Garen auf dem Induktions-Kochfeld geeignet sind. Dieses Kochfeld ist in der Lage, sie zu erkennen und auf ihre Eignung zu testen, und zwar wie folgt:  
Den Kochtopf auf eine der Kochzonen stellen. Wenn auf der Anzeige für diese Kochzone eine Leistungsstufe aufscheint, ist der Kochtopf geeignet; wenn hingegen das Symbol "U" erscheint, ist der Kochtopf zum Induktionsgaren nicht geeignet.
2. Einen Magneten am Kochtopf anbringen: Wenn der Magnet vom Kochtopf angezogen wird, ist dieser zum elektrischen Garen geeignet.

**Hinweis:** Der Kochtopfboden muss Materialien enthalten, die magnetisch leitfähig sind.

Der Kochtopfboden muss flach sein und einen Durchmesser von mehr als 14 cm aufweisen.

## Reinigung und Wartung

Die Kochmulden-Oberfläche muss wie folgt gereinigt werden:

Schmutzart	Reinigung	Reinigungsgerät
geringfügiger Schmutz	Mit warmem Wasser; danach abtrocknen	Schwamm
starker Schmutz	Mit warmem Wasser, danach mit einem speziellen Scheuerschwamm für Glaskeramik abtrocknen	Spezielschwamm für Glaskeramik
Verkrustungen	Weißweinessig auf die Verkrustung geben und mit einem weichen Tuch reinigen oder ein Spezialreinigungsmittel verwenden	Spezielle Klebefolie für Glaskeramik
Zucker, Kunststoff oder geschmolzenes Aluminium	Zur Entfernung der Reste einen für Glaskeramik geeigneten Schaber verwenden (zum Schutz des Glases ist es besser, ein Produkt auf Silikonbasis zu verwenden)	Spezielle Klebefolie für Glaskeramik

**Hinweis:** Den Stecker des Elektrohaushaltsgeräts vor der Reinigung abziehen.

## Fehlermeldung und Kontrolle

Wenn es zu einer Störung kommt, schaltet das Induktions-Kochfeld automatisch eine Schutzfunktion ein, und auf dem Display werden folgende Codes angezeigt:

Problem	Mögliche Ursachen	Lösung
F0/F1/F2	Störung am Lüfterrad	Kundendienst kontaktieren.
F3-F8	Störung am Temperatursensor	Kundendienst kontaktieren.
E1/E2	Anormale elektrische Spannung	Sichergehen, dass elektrische Versorgung vorhanden ist. Nach dieser Kontrolle das Gerät erneut einschalten.
E3/E4	Anormale Temperatur	Den Kochtopf kontrollieren.
E5/E6	Ungenügende Wärmeausstrahlung	Das Gerät erneut einschalten, nachdem es abgekühlt ist.

Diese Liste enthält die am häufigsten auftretenden Störungen.

Das Induktions-Kochfeld nicht eigenmächtig demontieren, um Gefahren zu vermeiden und keine Schäden am Gerät zu verursachen.

## KUNDENDIENST

### Bevor Sie den Kundendienst anrufen

Bei Betriebsstörungen des Geräts empfehlen wir Ihnen:

- zu überprüfen, ob der Stecker korrekt in die Steckdose eingesteckt wurde;;
- die obige Fehlertabelle zu kontrollieren.

Wenn die Betriebsstörung nicht herausgefunden werden kann:

das Gerät ausschalten, nicht öffnen, und den Kundendienst anrufen.

### SERVICENUMMER FÜR DEN KUNDENDIENST

Im Servicefall wenden Sie sich bitte an unseren autorisierten Werkskundendienst.

Bitte wählen Sie für Deutschland **aus dem Festnetz** die bundesweite einheitliche Service-Rufnummer 01805-62 55 62 (0,15 €/Min., Stand 1.1.2007), die Sie automatisch mit dem zuständigen Werkskundendienst in Ihrer Nähe verbindet.

Für Österreich wählen Sie aus dem Festnetz die Servicenummer 0820-220 224 (0,15 €/Min, Stand Nov. 2006).

Für die Schweiz wählen Sie die Servicenummer 0848-780 780.

## Sondererklärung

---

Der gesamte Inhalt dieses Handbuchs wurde sorgfältig kontrolliert. Der Hersteller übernimmt keine Haftung für etwaige Druckfehler oder Auslassungen.

Bei einer etwaigen Revision der Gebrauchsanleitung können technische Änderungen außerdem ohne Vorankündigung eingefügt werden. Die Abbildung des Produkts bezieht sich auf den aktuellen Stand.

---



**ACHTUNG:** Dieses Produkt darf nicht mit dem normalen Hausabfall entsorgt werden. Es muss getrennt entsorgt werden.

Für nähere Informationen zur Aufbereitung, Entsorgung und Wiederverwertung dieses Produkts setzen Sie sich bitte mit dem lokalen Abfallentsorgungsdienst oder mit dem Geschäft in Verbindung, in dem der Artikel gekauft wurde.

Dieses Elektrohaushaltsgerät wurde entsprechend der europäischen Richtlinie 2012/19/EG zur Entsorgung von Elektro- und Elektronikaltgeräten hergestellt.

Die Einhaltung der Richtlinien für die Entsorgung dieses Geräts hilft bei der Vorbeugung eventueller Umwelt- und Gesundheitsschäden, die eine falsche Entsorgung verursachen würde.

Dieses Symbol zeigt an, dass das Produkt nicht als normaler Hausabfall entsorgt werden kann, sondern in Recyclingzentren für Elektro- und Elektronikmaterial.

I henhold til reglene er delene i dette produktet i samsvar med: REGULERING (EF) Nr. 1935/2004 angående materialer og elementer som skal komme i kontakt med næringsmidler.

## Sikkerhetsforskrifter og vedlikehold

- **ADVARSEL:** Produktet og tilhørende deler blir varme under bruk. Vær forsiktig slik at varmeelementene ikke berøres.
- Barn under 8 år må holdes unna produktet eller være under kontinuerlig tilsyn.
- Produktet kan brukes av barn fra 8 år og oppover samt av personer med reduserte fysiske eller mentale evner eller personer uten erfaring eller kunnskaper om bruken av produktet, dersom de er under oppsyn eller har fått opplæring om bruken av produktet på en trygg måte og er innforstått med potensielle farer.
- Barn skal ikke leke med produktet.
- Rengjøring og vedlikehold skal ikke utføres av barn uten tilsyn. **ADVARSEL:** Matlaging på en platetopp uten tilsyn der det brukes fett eller olje, kan være farlig og føre til brann.
- **ALDRI** prøv å slukke brannen med vann, men slå av platetoppen og slokk flammene med et lokk eller et brannteppe.
- **ADVARSEL:** Brannfare: ikke legg fra deg ting på platetoppen.

- **ADVARSEL:** Hvis det er sprekker i overflaten, må du slå av platetoppen for å unngå fare for elektrisk støt.
- Ikke bruk damprens i rengjøringsprosessen
- Metallgjenstander som kniver, gafler, skjeer og lokk må ikke plasseres på platetoppens overflate da de kan bli varme.
- søl må fjernes fra dekselet før åpning.  
produktet må være nedkjølt før dekselet legges på.
- Etter bruk må varmeplatene slås av med temperaturkontollen.  
Ikke stol på kjeledetektoren.
- produktet skal ikke brukes ved hjelp av en ekstern timer eller egen fjernstyring.
- Frakoblingsutstyr må være innlemmet i de fastmonterte kablene i samsvar med koblingsforskriftene.
- instruksjonene må angi hvilken ledningstype som skal brukes, og ta høyde for temperaturen på baksiden av produktet.
- Dersom ledningen er skadet, må den byttes ut av produsenten eller en servicerepresentant eller en person med tilsvarende kvalifikasjoner, slik at man unngår farer.
- **FORSIKTIG:** For å unngå farer pga. feil innstilling av varmebryteren, må ikke dette produktet kobles til en ekstern tilkoblingskilde, som f.eks. en timer, eller kobles til en krets som regelmessig slår produktet av eller på.

- Innretningene for frakobling må være innlemmet i de faste kablene i samsvar med reglene for kabeldragning.
- Instruksjonene angir typen kabel som skal brukes, og tar hensyn til temperaturen på den bakre overflaten på produktet.
- **ADVARSEL:** Bruk bare platetoppdeksler som er utformet av produsenten eller som er angitt av produktprodusenten i brukerinstruksjonene eller bruk platedekslene som er innlemmet i produktet. Bruk av uegnede deksler kan føre til ulykker.
  - Bruk alltid egnet kokekar.
  - Plasser alltid pannen i midten av den enheten du steker på.
  - Ikke plasser noenting på kontrollpanelet.
  - Ikke bruk overflaten som skjærebrett.
  - Overflaten på platetoppen må få tid til å kjøles ned før du stenger lokket.
  - **ADVARSEL:** Du må alltid følge med på tilberedningen. En kortvarig tilberedning må overvåkes konstant.

## Kjære Kunde,

takk for at du har valgt CANDY induksjonsplatetopp, et produkt som vi er sikre på du kommer til å ha glede av i mange år fremover.

Les denne bruksanvisningen nøye før bruk og oppbevar den omhyggelig for senere bruk.

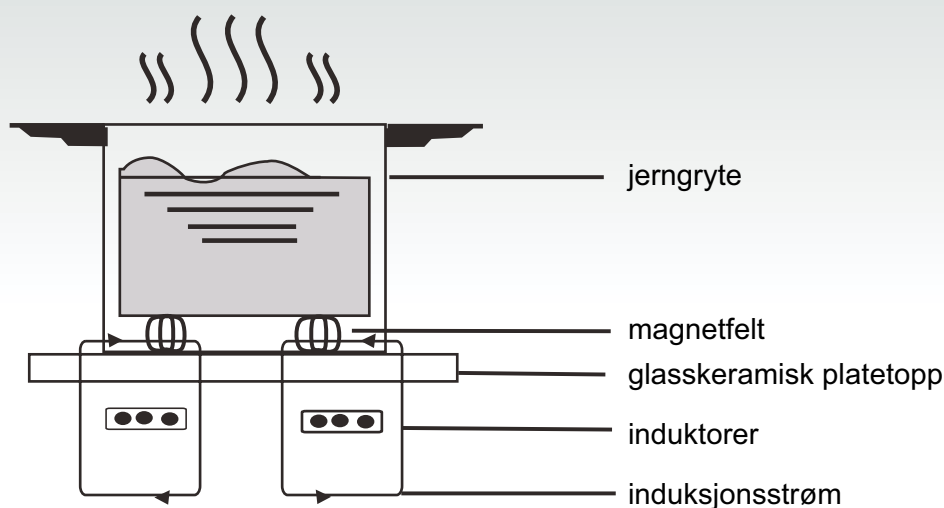
## Introduksjon

Induksjonsplatetopp tilfredsstiller alle krav og behov ved matlaging med elektromagnetisk oppvarming, takket være et mikrodatastyrt og multifunksjonelt kontrollsystem, og er et meget bra valg for moderne familier.

Dette husholdningsproduktet som er produsert med spesialmaterialer er utrolig lett å bruke og meget holdbart og sikkert.

## Hvordan den fungerer

Induksjonsplatetoppen består av en elektrisk spole, en plate av ferromagnetisk materiale og av et kontrollsystem. Elektrisk strøm lager et kraftig elektromagnetisk felt rundt spolen. Dette lager en serie bølger som produserer varme, som igjen overføres fra kokeplatens overflate til kokekaret.





## Sikkerhet

Denne platetoppen er kun beregnet for hjemmebruk.

Våre produkter er stadig i utvikling og vi forbeholder oss derfor retten til å endre og oppdatere produktet med eventuelle nye tekniske utviklinger.

### ● Beskyttelse mot overoppheting

En sensor kontrollerer temperaturen i platetoppen. Dersom temperaturen overskrider sikkerhetsgrensen slukkes platetoppen automatisk.

### ● Varsel om gjenstander som ligger på platetoppen

Hvis man setter en gryte med en diameter på mindre enn 80 mm, små gjenstander (f.eks. kniver, gafler eller nøkler) eller en ikke magnetisk gryte (for eksempel aluminiumsgryte) på platen, utløses automatisk et lydsignal som varer i ca. 1 minutt. Hvis problemet ikke løses, vil platetoppen automatisk gå over til stand-by.

### ● Alarm for restvarme

Når platetoppen har stått på lenge kan den forsette å avgi restvarme. Bokstaven "H" på displayet varsler at man ikke må berøre platetoppen.

### ● Selvslukningssikring

Selvslukning er også en sikkerhetsfunksjon som aktiveres automatisk i induksjonsplatetoppen dersom man skulle glemme å slukke platen. Den automatiske selvslukningssikringen aktiveres etter som hvilken varmestyrke man har innstilt, som vist i tabellen under:

Varmestyrke	Kokesonen slås automatisk av etter
1-3	8 timer
4-6	4 timer
7-9	2 timer

Når maten er ferdig og du fjerner gryten slutter induksjonsplatetoppen å avgi varme og, etter et lydsignal som varer i 1 minutt, blir den slått av.

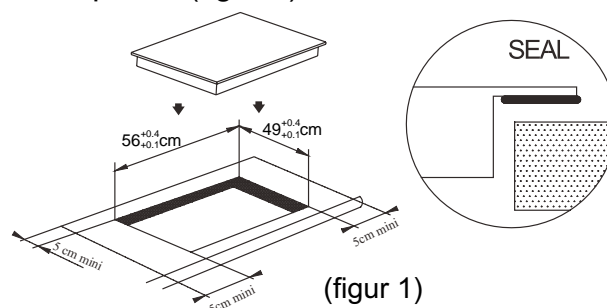
### NB!

personer med pacemaker må ikke bruke dette husholdningsapparatet uten at de først har konsultert legen.

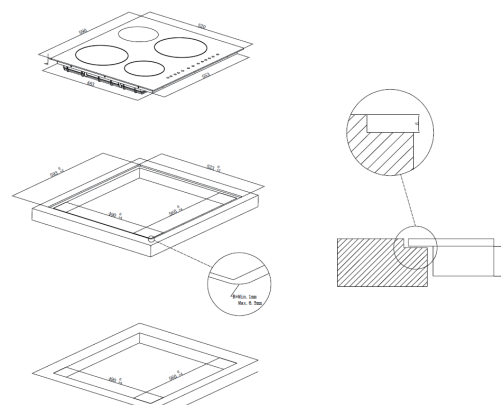
## Installasjon

### Installasjon av platetoppen

1. Følg målene du finner på tegningen og lag et hull i møbelet; for en korrekt installasjon må det dessuten være minst 5 cm avstand rundt platen. Pass på at bordplaten hvor platetoppen skal installeres har en tykkelse på minst 30 mm, og at den er laget av et materiale som tåler høye temperaturer slik at den ikke deformeres pga varmen fra kokeplaten (figur 1).

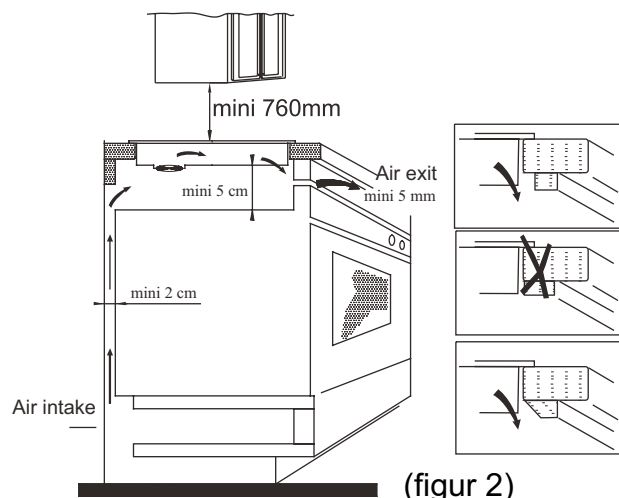


(figur 1)



Spyleinstallasjon: Bare mulig hvis ovnen ikke er installert under disken

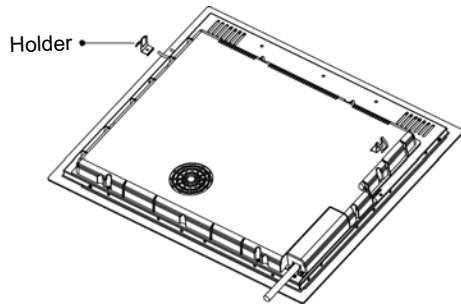
2. Pass alltid på at induksjonsplatetoppen hviler støtt på bordplaten, og at det er god ventilasjon (figur 2).



(figur 2)

**OBS:** pass på at det er en avstand på minst 760 mm mellom platetoppen og et eventuelt skap over den.

3. Når du har plassert platetoppen fester du den til bordplaten med fire holdere (som vist på figuren). Reguler deretter hver holder etter bordplatenes tykkelse.



### Sikkerhetsforholdsregler

- (1) Induksjonsplatetoppen skal installeres av en autorisert installatør. Gjør ikke installasjonen selv.
- (2) Induksjonsplatetoppen må ikke monteres på kjøleskap, oppvaskmaskiner eller vaskemaskiner.
- (3) Induksjonsplatetoppen skal installeres slik at det garanteres en optimal varmeavledning.
- (4) Vegg og flaten under induksjonsplatetoppen må være varmebestandige.
- (5) For å unngå skader må den tynne filmen som kleber platetoppen til bordflaten være varmebestandig.

### 4. Elektrisk tilkoping

Tilkoplingen til el-nettet skal utføres av teknisk kyndig personale og i henhold til gjeldende forskrifter. I figur 3 vises det hvordan platetoppen skal tilkoples.

Spenning	Ledningsforbindelse				
380-415V 3N~	1 L1	2 L2	3 —	4 N	5 ⏏
	Svart	Brun	Blå	Gul/grønn	
220-240V~	1 —	2 L	3 —	4 N	5 ⏏
	Svart/ Brun		Blå	Gul/grønn	

Kontroller at det elektriske anlegget har forsvarlig jording i henhold til gjeldende lover og forskrifter. Jording er obligatorisk.

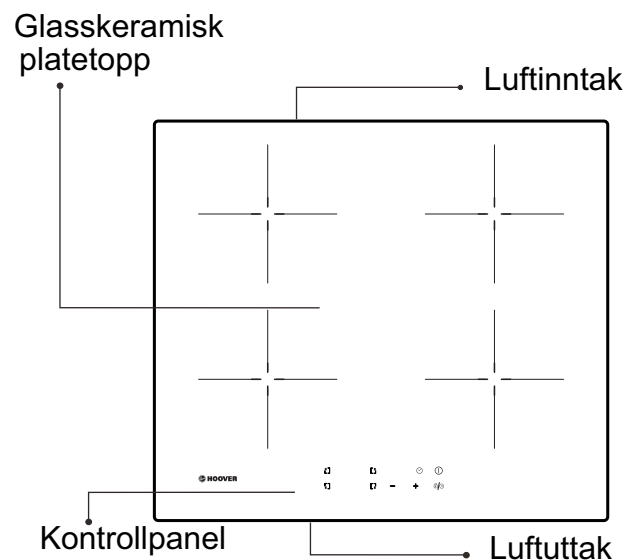
Produsenten frasier seg ethvert ansvar for personskader eller skader på gjenstander som skyldes at denne forskriften ikke overholdes.

Dersom apparatet ikke er utstyrt med støpsel skal man sette et normalisert støpsel, egnet for belastningen som angis på skiltet, på kabelen.

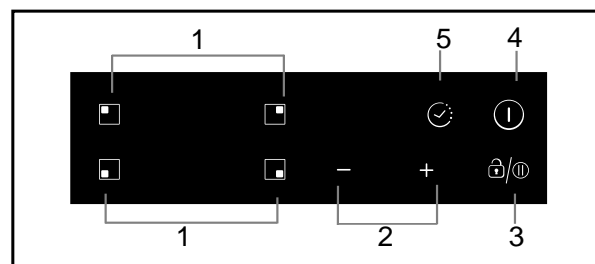
Dersom man ønsker en fast tilkoping til nettet må man installere, mellom apparatet og nettet, en flerpolet bryterenhet med kontaktavstand på minst 3 mm.

Dersom ledningen er ødelagt må den straks skiftes ut av en teknisk kyndig person. Ledningen må ikke være bøyd eller ligge i klem.

### Beskrivelse av induksjonsplatetoppen



### Skjema over kontrollpanelet



1. Kontroller for kokesoner
2. Reguleringstast for effekt/timer
3. Tastelås/pause-kontroll
4. ON/OFF-kontroll
5. Timerkontroll

## Bruksanvisning

### Forberedelser før bruk:

Men en gang du setter på platetoppen vil du høre et lydsignal og alle ledlampene blinker i ett sekund; det betyr at kokeplaten står i "stand-by".

Sett gryten på kokesonen du ønsker å bruke.

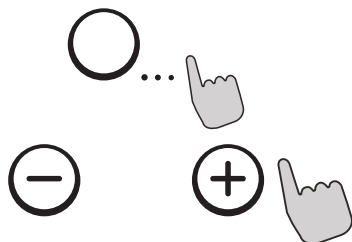


### Betjeningsforklaring

Når du trykker på tasten "ON/OFF" viser alle ledlampene dette symbolet "-". Velg den kokesonen hvor du har satt gryten, ledlampen som viser varmenivået for den valgte sonen begynner å blinke. Trykk deretter på tasten "+" eller "-", displayet viser i utgangspunktet 5, deretter regulerer du styrken som du ønsker med tasten "+" eller "-". Trykker du tasten "+" og "-" inn samtidig, nullstilles alle tidligere innstillinger og kokesonen slås av.

Se tabell på side 71 for de enkelte kokesonenes spesielle strømstyrke.

**OBS:** etter at du har trykket på "ON/OFF"-tasten blir induksjonsplatetoppen stående i stand-by dersom du ikke fortsetter innen 1 minutter.



### TIMER-funksjon

Når du trykker på TIMER-tasten, begynner ledlampen på displayet å blinke og du kan stille inn tiden. Bruk tasten "+" eller "-" til å stille inn minuttene fra 1 til 99. Når du trykker på tasten "+" øker innstillingen gradvis med 1 minutt; trykker du på tasten "-" minsker innstillingen med 1 minutt om gangen. Overskrider du 99 minutter går timeren

automatisk til 0. Trykker du samtidig på tastene "+" og "-" viser displayet 0.



### Bekreftede TIMER-funksjonen

1. Velg ønsket styrke på kokesonen du skal bruke, trykk på "timer" og programmer tiden.
2. Etter at timeren har blinket i ca. 5 sekunder, er den programmerte tiden automatisk bekreftet.
3. Når du har programmert tiden trykker du på "TIMER" for å kontrollere at tiden er korrekt.
4. Når "timeren" er bekreftet dukker det opp en prikk i det nedre høyre hjørnet av effektnivået til den valgte sonen.

### Avbryte TIMER-funksjonen

Trykk på "timer"-tasten i 5 sekunder for å avbryte funksjonen som du har innstilt tidligere. Displayet viser 0.

### Sikkerhetsfunksjon

Platetoppen er utstyrt med barnesikring som sperrer bruken av induksjonsplaten.

Trykk inn tasten for sperreanordningen (Interlock) for å sperre: kokeplaten sperrer, timer-displayet viser symbolet "Lo" og alle de andre funksjonene er utkopleet.

### Oppheve sperren

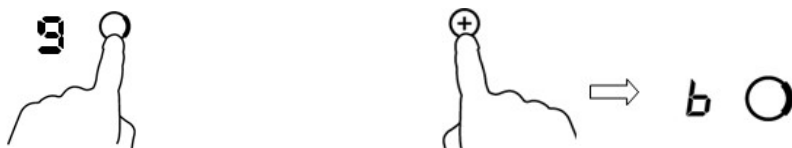
Hold tasten for sperreanordningen (Interlock) inne i 2 sekunder:



## Boost-modus

Ta på kontrollvelgeren for kokesonen, og deretter på "+". Kontroller at displayet viser "9".

Ta på "+" tasten igjen, soneindikatoren viser "b" og effektnivået når Maks.



## Avbryte Boost-modus

Når du tar på "-" -tasten for å avbryte Boost-funksjonen vil kokesonen gå tilbake til den opprinnelige innstillingen.

Ta på kontrollene "-" og "+" samtidig. Kokesonen slås av og boost-funksjonen avbrytes automatisk.



- Kokesonen går tilbake til den opprinnelige innstillingen etter 5 minutter.



**Merk:** Vi anbefaler av avsuet over komfyren slås på et par minutter før tilberedning og slås av et par minutter etter at tilberedningen er ferdig.

## Pausemodus

- Du kan sette oppvarmingen på pause i stedet for å slå av platetoppen.
- Når du går inn i Pausemodus deaktiveres alle kontrollene bortsett fra ON/OFF-kontrollen.

Å gå inn i pausemodus	
Ta på lås/pausekontrollen	Alle indikatorene vil vise "11"
For å låse opp kontrollene	
Ta på lås/pausekontrollen	



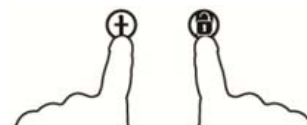
Når platetoppen er i pausemodus er alle kontrollene deaktivert, unntatt ON/OFF , du kan alltid slå av induksjonstoppen med ON/OFF -kontrollen i en nødsituasjon.

## Effektstyringsfunksjon

- Det er mulig å stille inn et maksimalt effektabsorberingsnivå for induksjonstoppen. Du kan velge forskjellige effektnivåer.
- Induksjonstopper kan begrense seg selv automatisk for å fungere ved lavere effektnivåer, for å unngå faren for overbelastning.

### Å gå inn i effektstyringsfunksjonen

Slå på platetoppen, og trykk deretter samtidig på tastene “+” (timer) og tastelåsen.



Timerindikatoren viser “P5”, som betyr effektnivå 5. Standardmodusen er på 7,0Kw/ 7,1Kw.

### Bytte til et annet nivå

Trykk på +/- fra timeren. Det er 5 effektnivåer, fra “P1” til “p5”. Timerindikatoren viser en av dem.

“P1”: makseffekten er 2,5 KW.

“P2”: makseffekten er 3,5 KW.

Timerindikatoren viser “P5”, som betyr effektnivå 5. Standardmodusen er på 7,0Kw/ 7,1Kw.

“P3”: makseffekten er 4,5 KW.

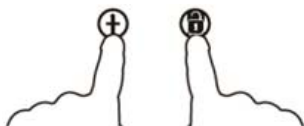
“P4”: makseffekten er 5,5 KW.

“P5” : makseffekten er 7,0Kw/ 7,1Kw.



### Bekreft og gå ut av effektstyringsfunksjonen

Trykk samtidig på tastene + (timer) og tastelåsen for bekreftelse.



Platetoppen vil da slås av.

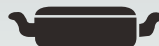
## Utvalg av gryter og kokekar



jernpanne til steking



gryte i rustfritt stål



jerngryte



jernpanne



kjele av emaljert rustfritt stål



emaljert gryte



flat jerngryte

1. Mange forskjellige kokekar er egnet for bruk på induksjonsplater. Denne kokeplaten er i stand til å identifisere dem og kontrollere om de er egnet på en av følgende måter:  
sett kokekaret på en av kokesonene. Dersom denne sonens indikator viser et strømstyrkenivå er kokekaret egnet for induksjonsplaten; hvis indikatoren viser "U" kan du ikke bruke det.
2. Prøv med en magnet på gryten: hvis magneten tiltrekkes av gryten kan den brukes på induksjonsplaten.  
**NB.** grytebunnen må inneholde magnetisk ledende materiale.  
Gryten skal ha flat bunn med en diameter på over 14 cm.
3. Nutzen Sie Pfannen, deren Durchmesser genauso groß ist wie der des Kochfeldes. Unter Verwendung eines Topfes wird die Energie bis hin zur maximalen Effizienz genutzt. Nutzen Sie einen kleineren Topf, kann die Effizienz geringer sein als erwartet. Töpfe mit einem Durchmesser von weniger als 140mm werden vom Kochfeld nicht erkannt und entsprechend nicht erhitzt.

## Rengjøring og vedlikehold

Platetoppen kan rengjøres som forklart nedenfor:

Type smuss	Rengjøres slik	Rengjøringsutstyr
lite smuss	med varmt vann, tørkes tørt	rengjøringssvamp
mye smuss	med varmt vann og tørkes av med en spesialsvamp for glasskeramiske flater	spesialsvamp for glasskeramiske flater
inntørket smuss	hell hvit eddik på flekken og vask med en myk klut, eller bruk et spesielt rengjøringsmiddel	selvklebende papir for glasskeramiske flater
Sukker, plast eller smeltet aluminium	Bruk en skrape for glasskeramiske flater (bruk helst et silikonholdig produkt som beskytter glasset)	selvklebende papir for glasskeramiske flater

**OBS:** ta ut støpselet før apparatet rengjøres

## Feilsignal og kontroll

Dersom det oppstår et problem eller en feil, aktiveres automatisk en beskyttelsesfunksjon i induksjonsplatetoppen og displayet viser følgende koder:

Problem	Mulige årsaker	Løsning
F0/F1/F2	feil på viften	Kontakt leverandøren
F3-F8	feil på temperaturmåleren	Kontakt leverandøren
E1/E2	unormal spenning	sjekk strømtilførselen Deretter setter du på apparatet igjen.
E3/E4	unormal temperatur	kontroller gryten
E5/E6	utilstrekkelig varmestråling	sett på apparatet igjen når platen er blitt kald

Dette er en liste over de vanligste feil som kan oppstå. Prøv ikke å ta fra hverandre platetoppen på egen hånd. Det kan være farlig og kan forårsake større skader.

## KUNDESERVICE

Før du ringer Kundeservicesenteret

Dersom apparatet ikke fungerer ber vi deg om å kontrollere:

- at støpselet sitter i stikkontakten
- lese feilsøkingstabellen ovenfor

Dersom apparatet, etter at du har kontrollert, fremdeles ikke fungerer:

slå av apparatet, prøv ikke å reparere det på egen hånd og ring straks Kundeservicesenteret

## Spesiell erklæring

---

Innholdet i denne håndbok er nøye kontrollert. Produsenten frasier seg imidlertid et hvert ansvar for eventuelle feil eller utelatelser i den trykte teksten. Eventuelle tekniske endringer vil bli tilføyd uten varsel i eventuelle reviderte utgaver av denne bruksanvisningen. Bildet gjelder det aktuelle produktet.

---



ADVARSEL: dette produktet må ikke håndteres som vanlig husavfall. Det skal behandles særskilt.


Dette husholdningsproduktet er produsert i henhold til EU-direktivet 2012/19/CE som omhandler behandling av avfall fra elektrisk og elektronisk utstyr.

Når du hjelper oss med å overholde forskriftene om avfallsbehandling av dette produktet bidrar du til å unngå at uriktig behandling forårsaker helse- og miljøskader.

Dette symbolet viser at produktet ikke skal behandles som vanlig husavfall, men leveres til en miljøstasjon for gjenvinning og behandling av avfall fra elektriske og elektroniske materialer.

Vennligst kontakt nærmeste miljøstasjon for videre opplysninger om behandling, avsetting og gjenvinning av produktet, eller henvend deg til forhandleren hvor du har kjøpt dette produktet.



W związku z umieszczeniem znaku CE  na produkcie, na własną odpowiedzialność deklarujemy zgodność produktu z wymogami prawnymi dotyczącymi bezpieczeństwa, zdrowia i środowiska obowiązującymi we Wspólnocie Europejskiej.

W stosownych przypadkach elementy tego urządzenia są zgodne z: ROZPORZĄDZENIE (WE) nr 1935/2004 dotyczące materiałów i wyrobów przeznaczonych do kontaktu z żywnością.

## Bezpieczeństwo i konserwacja

- UWAGA: Podczas pracy urządzenie oraz jego elementy są gorące. Należy zachować ostrożność i nie dotykać gorących części.
- Dzieci w wieku do 8 lat nie mogą zbliżyć się do urządzenia chyba że pozostają one pod ciągłym nadzorem.
- Dzieci w wieku powyżej 8 lat oraz osoby z ograniczeniami ruchowymi, umysłowymi, czuciowymi lub nie posiadające odpowiedniej wiedzy lub doświadczenia mogą obsługiwać urządzenie jedynie pod nadzorem lub po przeszkoleniu odnośnie bezpiecznego użytkowania urządzenia i związanych z tym zagrożeń.
- Dzieci nie mogą bawić się urządzeniem.
- Dzieci bez nadzoru nie mogą obsługiwać ani czyścić urządzenia.
- UWAGA: gotowanie na płycie z użyciem oleju lub tłuszczu bez nadzoru może być niebezpieczne i spowodować pożar.
- NIGDY nie gasić ognia wodą, należy wyłączyć urządzenie i przykryć płomień np. pokrywką lub kocem ognioodpornym.
- UWAGA: niebezpieczeństwo pożaru. Nie wolno przechowywać przedmiotów na powierzchniach grzejnych.

- UWAGA: w razie uszkodzenia powierzchni należy wyłączyć urządzenie aby uniknąć niebezpieczeństwa porażenia prądem elektrycznym.
- Nie stosować do czyszczenia urządzeń parowych.
- Przedmioty metalowe jak sztucce, pokrywki itp. nie mogą leżeć na płycie gdyż będą się nagrzewać.
- usunąć wylany płyn z pokrywy przed otwarciem.  
Poczekać aż powierzchnia płyty ostygnie przed zamknięciem pokrywy.
- Po użytkowaniu należy wyłączyć płytę za pomocą sterowania, układ detekcji garnka nie służy do jej wyłączania.
- urządzenie nie jest przeznaczone do sterowania zewnętrznym minutnikiem lub oddzielnym układem zdalnego sterowania.  
Wyłącznik musi być podłączony do okablowania zgodnie z obowiązującymi przepisami.
- instrukcja musi określać jaki rodzaj przewodu może być zastosowany, z uwzględnieniem temperatury tylnej ścianki urządzenia.
- Jeżeli przewód zasilający jest uszkodzony musi być wymieniony przez producenta lub autoryzowany serwis tak aby uniknąć wszelkiego ryzyka.
- UWAGA: w celu uniknięcia zagrożeń związanych z przypadkowym zadziałaniem zabezpieczeń termicznych urządzenie nie może być zasilane z sieci sterowanej niezależnie lub z obwodów które są regularnie włączane i wyłączane.

- Elementy służące do odłączania muszą być wbudowane w stałą instalację elektryczną zgodnie z przepisami dotyczącymi przewodów instalacji elektrycznej.
- W instrukcjach określono typ przewodu, jaki ma być stosowany, biorąc pod uwagę temperaturę tylnej powierzchni urządzenia.
- **OSTRZEŻENIE:** Należy korzystać wyłącznie z osłon płyty kuchennej zaprojektowanych przez producenta urządzenia lub wskazanych przez niego w instrukcji obsługi jako odpowiednie bądź z osłon płyty kuchennej wbudowanych w urządzenie. Stosowanie nieprawidłowych osłon może doprowadzić do wypadków.
  - Zawsze korzystać z odpowiednich garnków.
  - Zawsze umieszczać patelnię na środku strefy, na której zamierza się gotować.
  - Nie umieszczać nic na panelu sterowania.
  - Nie używać powierzchni jako deski do krojenia.
  - Powierzchnię płyty kuchennej należy pozostawić do ostygnięcia przed zamknięciem pokrywy.
  - **PRZESTROGA:** proces gotowania powinien być nadzorowany. Krótki proces gotowania powinien być stale nadzorowany.

## Szanowny Kliencie,

pragniemy podziękować Ci za dokonany wybór indukcyjnej płyty grzejnej CANDY, produktu, który z pewnością zadowoli Twoje oczekiwania przez wiele lat.

Przed rozpoczęciem używania urządzenia prosimy o uważne zapoznanie się z niniejszą instrukcją obsługi oraz zachowanie jej w celu ewentualnej konsultacji w przyszłości.

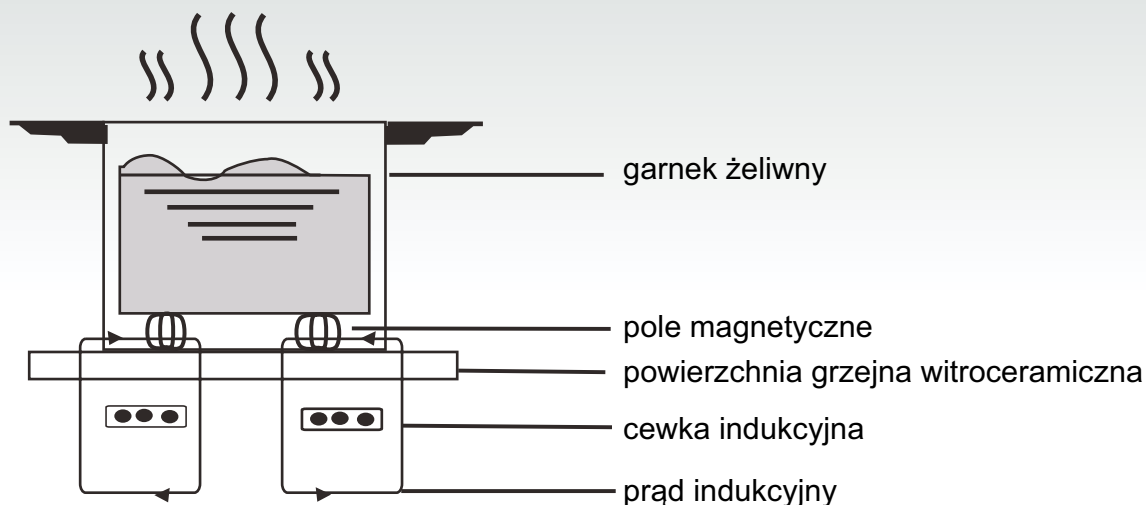
## Wstęp

Dzięki wielofunkcyjnemu i mikrokomputerowemu systemowi sterowania, indukcyjna płyta grzejna jest w stanie zadowolić różne wymagania związane z gotowaniem z wykorzystaniem indukcji elektromagnetycznej. To właściwy wybór dla nowoczesnej rodziny.

Wykonana ze specjalnych materiałów płyta ta jest wyjątkowo łatwa w użyciu, wytrzymała i bezpieczna.

## Jak działa

Indukcyjna płyta grzejna składa się z cewki indukcyjnej, płyty wykonanej z materiału ferromagnetycznego oraz z systemu kontrolnego. Prąd elektryczny, przepływając przez cewkę wytwarza silne pole elektromagnetyczne. Powoduje to powstawanie całej serii fal, które wytwarzają ciepło przekazywane następnie do garnka poprzez powierzchnię płyty grzejnej.



## Bezpieczeństwo

Niniejsza płyta grzewca przeznaczona jest do użytku domowego.

Staramy się stale doskonalić nasze produkty i dlatego zastrzegamy sobie prawo dokonywania zmian w przypadku ewentualnych postępów w technice.

### ● Zabezpieczenie przed przegrzaniem

Czujnik kontroluje temperaturę wewnątrz pola grzewczego. Jeżeli temperatura przekracza dopuszczalny poziom bezpieczeństwa, powierzchnia pola grzewczego zostanie automatycznie wyłączona.

### ● Sygnalizacja przedmiotów na powierzchni grzewczej

Jeżeli na płycie grzewczej zostanie ustawione naczynie o średnicy mniejszej niż 80 mm., małe przedmioty (takie jak noże, widelce, klucze) lub naczynie, które nie posiada dna magnetycznego (na przykład aluminiowe), automatycznie włączony zostanie sygnał akustyczny na okres około 1 minuty. Jeżeli problem nie zostanie rozwiązany, płyta grzewcza przejdzie automatycznie na tryb stand-by.

### ● Wskaźnik ciepła resztkowego

Gdy używanie pola grzewczego zostaje przedłużone w czasie może dojść do pojawienia się ciepła resztkowego. Pojawiający się na wyświetlaczu symbol "H" ostrzega aby nie dotykać pola grzewczego.

### ● Zabezpieczenie poprzez samoczynne wyłączenie

Samoczynne wyłączenie jest dodatkową funkcją zabezpieczającą indukcyjną płytę grzewczą. Funkcja ta włącza się automatycznie w przypadku zapomnienia jej wyłączenia. Automatyczne wyłączenie powierzchni grzewczej zależy od używanego poziomu natężenia, tak jak zostało to przedstawione w poniższej tabeli:

Poziom natężenia	Pole grzewcze wyłącza się automatycznie po
1-3	8 godzinach
4-6	4 godzinach
7-9	2 godzinach

W momencie usunięcia naczynia z pola grzewczego, indukcyjna płyta grzewcza przestaje ogrzewać i po sygnale akustycznym trwającym 1 minutę wyłącza się.

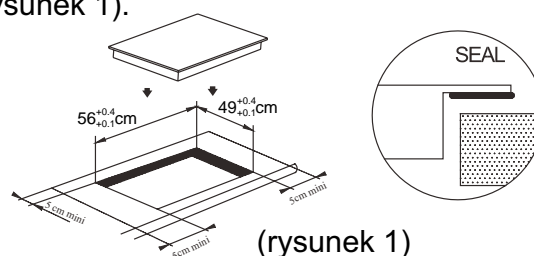
### Uwaga:

Osoby z rozrusznikiem serca mogą używać ten sprzęt gospodarstwa domowego wyłącznie pod kontrolą lekarza prowadzącego.

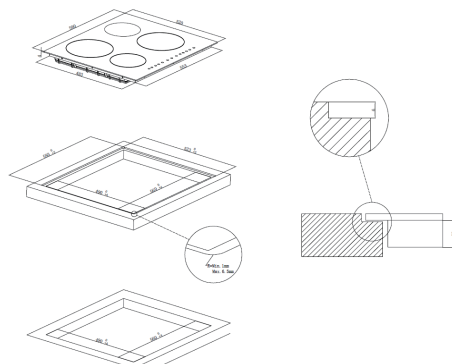
## Instalacja

### Montaż urządzenia

1. Wykonać otwór na powierzchni mebli zastosowując się do wymiarów przedstawionych na rysunku. Dla poprawnej instalacji przewidziana musi być również wolna przestrzeń wynosząca przynajmniej 5 cm wokół płyty. Należy upewnić się, że grubość blatu roboczego na którym zainstalowana zostaje płyta wynosi przynajmniej 30 mm. i że blat został wykonany z materiałów odpornych na wysokie temperatury, które nie dopuszczają do deformacji wskutek ciepła pochodzącego z płyty grzewczej (rysunek 1).

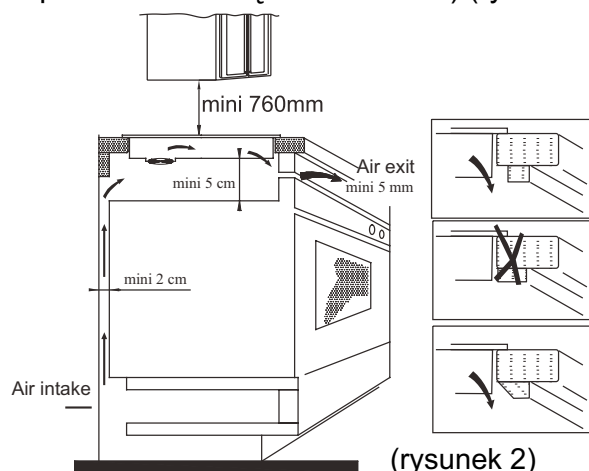


(rysunek 1)



Instalacja płaska: wykonalna tylko wtedy, gdy piekarnik nie jest zainstalowany pod ladą

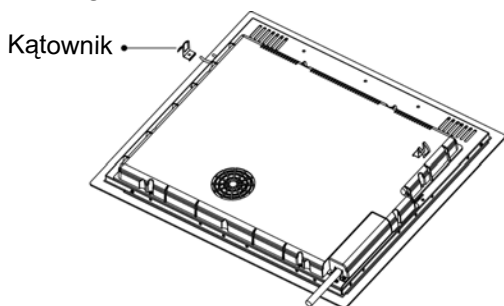
2. Należy zawsze upewnić się, że indukcyjna płyta grzewcza jest odpowiednio przymocowana do mebli oraz posiada właściwą wentylację. (otwory wlotu i wylotu powietrza nie są zablokowane) (rysunek 2).



(rysunek 2)

**Uwaga:** pomiędzy płytą grzejną a ewentualnym elementem meblowym na górze musi być pozostawiona wolna przestrzeń wynosząca co najmniej 760 mm.

- Po umieszczeniu płyty grzejnej, należy przymocować ją czterema kątownikami do blatu roboczego (tak jak zostało to przedstawione na rysunku). Następnie należy wyregulować każdy pojedynczy kątownik w zależności od grubości blatu roboczego.



### Ostrzeżenia

- Indukcyjna płyta grzejna musi być instalowana przez wykwalifikowanego technika. Nie należy wykonywać instalacji we własnym zakresie.
- Indukcyjna płyta grzejna nie może być montowana na lodówkach, zmywarkach czy suszarkach do bielizny.
- Indukcyjna płyta grzejna musi być zainstalowana w taki sposób aby zagwarantować optymalną likwidację ciepła.
- Ścianka oraz część znajdująca się pod indukcyjną płytą grzejną muszą być odporne na ciepło.
- W celu uniknięcia szkód cienka błona przyklejająca powierzchnię grzejną do powierzchni oparcia musi być odporna na ciepło.

### 4. Schemat połączeń

Podłączenie do sieci elektrycznej musi być wykonane przez wyspecjalizowany personel techniczny według obowiązujących przepisów. Czynności podłączające płytę zostały przedstawione na rysunku 3:

Napięcie	Połączenie przewodowe
380-415V 3N~	<p>Czarny Brązowy      Niebieski      Żółty / Zielony</p>
220-240V~	<p>Czarny i Brązowy      Niebieski      Żółty / Zielony</p>

Sprawdzić czy instalacja elektryczna zaopatrzona jest we właściwe uziemienie według obowiązujących norm i przepisów prawnych. **Uziemienie jest obowiązkowe.**

Producent nie ponosi żadnej odpowiedzialności za ewentualne szkody wyrządzone osobom lub rzeczom, wynikłe z niezastosowania się do tej normy.

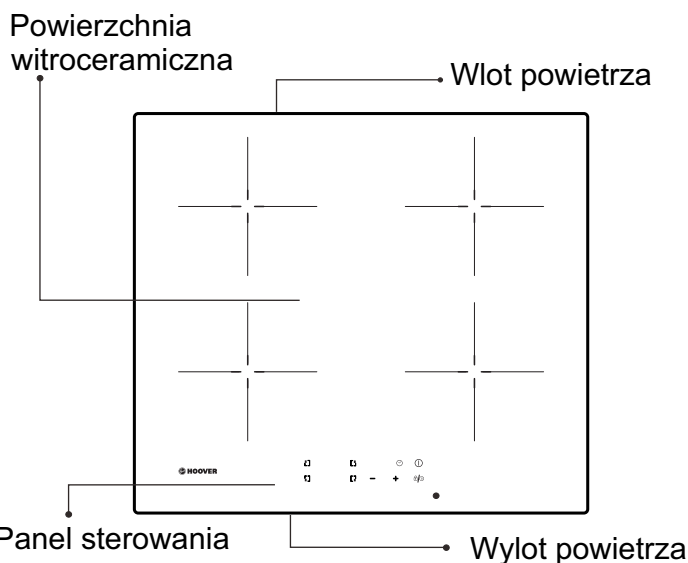
Jeżeli urządzenie nie posiada wtyczki należy zainstalować na przewodzie znormalizowaną wtyczkę, która właściwa będzie dla ładunku wskazanego na tabliczce znamionowej.

W przypadku podłączenia stałego do sieci należy zainstalować wielobiegunowy przełącznik odcinający z przerwą między stykami co najmniej 3 mm.

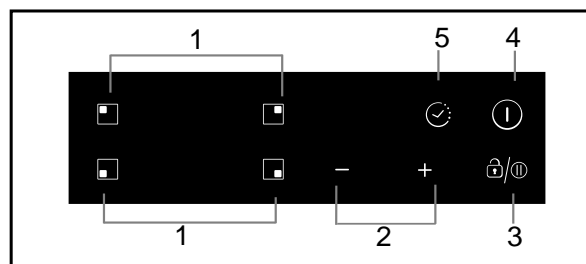
Instalator musi potwierdzić, że połączenie elektryczne jest poprawne, a instalacja zgodna z normami bezpieczeństwa.

W przypadku uszkodzenia przewodu musi on zostać wymieniony na nowy wyłącznie przez wyspecjalizowany personel techniczny. Przewód nie może być zagięty ani przyciśnięty.

## Opis indukcyjnej płyty grzejnej



## Schemat panelu sterowania



- Przyciski sterowania wyborem strefy grzewczej
- Przycisk regulacji mocy/regulatora czasowego
- Przycisk sterowania blokadą/pauzą
- Przycisk włączania/wyłączania
- Przycisk regulatora czasowego

## Instrukcje używania

### Przygotowanie przed używaniem:

Zaraz po włączeniu płyta grzejna wydaje sygnał akustyczny, wszystkie diody mrugają przez 1 sekundę sygnalizując, że płyta grzejna znajduje się w trybie stand-by.

Położyć naczynie na wybrane pole grzewcze.

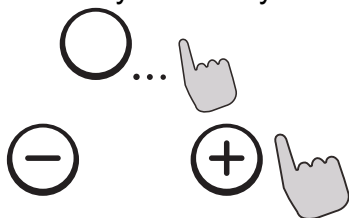


### Instrukcje dotyczące funkcjonowania

Po naciśnięciu przycisku "ON/OFF", wszystkie diody wskazują symbol "-". Należy wybrać pole grzewcze na którym ustawione zostało naczynie; wybrana dioda poziomu mocy będzie mrugać. Następnie należy naciskać przyciski "+" lub "-", wyświetlacz wskazuje poziom 5 jako poziom standartowy, regulacja przyciskami "+" lub "-" pozwoli na osiągnięcie wymaganej mocy. Naciskając jednocześnie przycisk "+" oraz przycisk "-", wcześniejsze ustawienia zostaną wyzerowane a pole grzewcze zostanie wyłączone.

Prosimy o zapoznanie się z tabelą na stronie 79 opisującą poszczególne moce dla każdego pola grzewczego płyty.

**Uwaga:** po naciśnięciu przycisku "ON/OFF", jeżeli w przeciągu 1 minut nie zostaną przeprowadzone inne czynności, indukcyjna płyta grzejna przejdzie na tryb stand-by.



### Funkcja ZEGARA

Naciskając przycisk ZEGAR, na wyświetlaczu mrugać będzie dioda sygnalizująca możliwość zaprogramowania czasu. Przyciskami "+" lub "-" można regulować czas w zakresie od 1 do 99 minut. Naciskając przycisk "+" ustawienie zwiększa się stopniowo o 1 minutę; naciskając przycisk "-" ustawienie zmniejsza się stopniowo

o 1 minutę. Jeżeli przekroczona zostanie wartość 99 minut zegar powróci automatycznie na wartość 0. Naciskając jednocześnie przyciski "+" i "-" wyświetlacz powraca na wartość 0.



### Potwierdzenie ustawień funkcji ZEGARA

1. Wybrać stopień mocy wybranego pola grzewczego, nacisnąć przycisk "zegar" i ustawić czas.
2. Po około 5 sekundach zegar zakończy mruganie i wybrany czas zostanie automatycznie potwierdzony.
3. Po ustawieniu czasu, nacisnąć "ZEGAR" w celu sprawdzenia żądanego ustawienia.
4. Po potwierdzeniu ustawienia minutnika pojawia się kropka w prawym dolnym rogu poziomu mocy wybranej strefy.

### Anulowanie funkcji ZEGARA

W celu anulowania wcześniej ustawionej funkcji nacisnąć przycisk "zegar" przez 5 sekund. Wyświetlacz wskazywać będzie wartość 0.

### Zabezpieczenie - blokada

W celu zabezpieczenia dzieci przed poparzeniem płyta indukcyjna wyposażona jest w blokadę działania.

Blokowanie: wcisnąć przycisk "Interlock"; płyta przechodzi w stan zablokowania, na wyświetlaczu pojawia się wskazanie "Lo", wszystkie przyciski poza ON/OFF są nieaktywne.

### Odblokowywanie

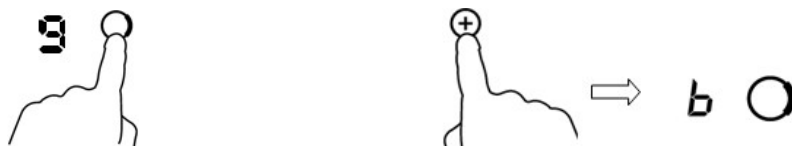
Wcisnąć przycisk "Interlock" na 2 sekundy, płyta przechodzi w normalny tryb pracy.



## Tryb Boost

Dotknąć przycisk wyboru strefy grzewczej, a następnie dotknąć „+”. Upewnić się, że na wyświetlaczu widoczna jest wartość „9”.

Dotknąć przycisku „+” ponownie, na wyświetlaczu pojawi się wskazanie „b”, co oznacza maksymalny poziom mocy.



## Wyłączanie trybu Boost

Dotknąć przycisku „-”, aby wyłączyć funkcję Boost, wtedy strefa grzejna powróci do pierwotnego ustawienia.

Dotknąć równocześnie przycisków „-” i „+”. Strefa grzewcza wyłączy się, a funkcja Boost wyłączy się automatycznie.



- Strefa grzewcza powróci do pierwotnego ustawienia po 5 minutach.



**Uwaga:** zaleca się włączenie okapu kuchennego na kilka minut przed gotowaniem i wyłączenie go po kilku minutach od zakończenia gotowania.

## Tryb Pauza

- Zamiast wyłączać całą płytę kuchenną, można w niej wstrzymać proces gotowania.
- Po przejściu do trybu Pauza wszystkie przyciski sterowania, z wyjątkiem przycisku włączania/wyłączania, są wyłączone.

Włączanie trybu Pauza	
Dotknąć przycisku blokady/trybu Pauza.	Na wszystkich wskaźnikach pojawi się wskazanie „11”.
Odblokowywanie elementów sterowania	
Dotknąć przycisku blokady/trybu Pauza.	



Gdy płyta kuchenna jest w trybie Pauza, wszystkie elementy sterowania są wyłączone z wyjątkiem przycisku włączania/wyłączania , a w sytuacji awaryjnej płytę indukcyjną można zawsze wyłączyć za pomocą przycisku włączania/wyłączania .

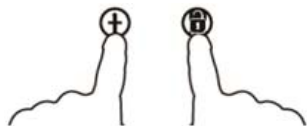


## Funkcja sterowania mocą

- maksymalny poziom mocy płyty indukcyjnej można ustawić, wybierając spośród różnych dostępnych zakresów;
- płyty indukcyjne są w stanie automatycznie ograniczać moc do niskiego poziomu, aby uniknąć ryzyka przeciążenia.

### Jak wejść do funkcji sterowania mocą

Włączyć płytę kuchenną, a następnie nacisnąć równocześnie „+” (minutnik) i przycisk blokady.



Na minutniku pojawi się wskazanie „P5”, co oznacza poziom mocy 5. Tryb domyślny to 7,0 kW/7,1 kW.

### Przełączanie na inny poziom

Naciskać +/- na minutniku. Przewidziano 5 poziomów mocy: od „P1” do „P5”. Na minutniku będzie wyświetlany jeden z nich.

„P1”: maksymalna moc wynosi 2,5 kW.

„P2”: maksymalna moc wynosi 3,5 kW.

Na minutniku będzie wyświetlane wskazanie „P5”, co oznacza poziom mocy 5. Tryb domyślny to 7,0 kW/7,1 kW.

„P3”: maksymalna moc wynosi 4,5 kW.

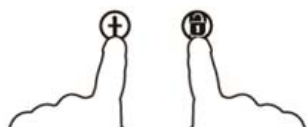
„P4”: maksymalna moc wynosi 5,5 kW.

„P5”: maksymalna moc wynosi 7,0 kW/7,1 kW.



### Potwierdzenie i wychodzenie z funkcji sterowania mocą

Nacisnąć równocześnie + (regulator czasowy) i przycisk blokady, aby potwierdzić.



Wtedy płyta kuchenna zostanie wyłączona.

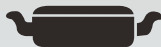
## Wybieranie naczyń kuchennych stosowanych do gotowania



patelnia żelazna



garnek ze stali inox



rondel żelazny



patelnia żelazna



czajnik ze stali emaliowanej nierdzewnej



garnek ze stali emaliowanej



garnek żelazny

1. Istnieje wiele naczyń nadających się do gotowania na płycie indukcyjnej. Powierzchnia ta jest w stanie wykryć je i przetestować zastosowując jedną z poniższych metod: ustawić garnek na polu grzewczym. Jeżeli na wskaźniku w tym polu pojawi się poziom mocy, oznacza to, że garnek jest odpowiedni; jeżeli pojawi się natomiast symbol "U", oznacza to że naczynie nie nadaje się do tego gotowania indukcyjnego.
2. Nałożyć magnes na garnek: jeżeli magnes będzie przyciągany przez garnek, oznacza to, że naczynie to jest odpowiednie do używania na płycie indukcyjnej.

**UWAGA:** spód garnka musi być wykonany z materiałów pozwalających na konduktywność magnetyczną.

Garnek musi posiadać płaski spód o średnicy przekraczającej 14 cm.

## Czyszczenie i konserwacja

Powierzchnia płyty grzejnej może być czyszczona w następujący sposób:

Rodzaj zabrudzenia	Jak czyścić	Materiał do czyszczenia
lekką brudną	ciepłą wodą; następnie wysuszyć	gąbka
bardzo brudna	ciepłą wodą i wysuszyć specjalną ścierną gąbką do powierzchni vitroceramicznych	specjalna gąbka do powierzchni vitroceramicznych
osady	Nalać na osad biały ocet i wyczyścić miękką szmatką, lub użyć specjalny środek myjący	folia przylepna specjalna do vitroceramiki
Stopiony cukier wraz z plastykiem lub aluminium	Aby usunąć pozostałości należy posłużyć się specjalnym drapakiem z ostrzem do powierzchni vitroceramicznych (aby zabezpieczyć szkło najlepiej jest używać produkt na bazie silikonu)	folia przylepna specjalna do vitroceramiki

**Uwaga:** przed rozpoczęciem czyszczenia odłączyć urządzenie z zasilania.

## Sygnalizacja usterek i czynności kontrolne

W momencie pojawienia się nieprawidłowości indukcyjna płyta grzejna wprowadza automatycznie funkcję zabezpieczenia a na wyświetlaczu pojawiają się następujące kody:

Problem	Możliwe przyczyny	Rozwiązanie
F0/F1/F2	Usterka w wiatraku	skontaktować się z serwisem
F3-F8	Usterka w czujniku temperatury	skontaktować się z serwisem
E1/E2	Nieprawidłowe napięcie elektryczne	sprawdzić czy włączone jest zasilanie elektryczne. Po sprawdzeniu ponownie włączyć urządzenie
E3/E4	Nieprawidłowa temperatura	sprawdzić garnek
E5/E6	Niewystarczające emitowanie ciepła	po wcześniejszym oziębieniu ponownie włączyć urządzenie

Jest to tylko lista najczęściej pojawiających się usterek.

Zabrania się rozmontowywania indukcyjnej płyty grzejnej we własnym zakresie co mogłoby doprowadzić do wyrządzenia większych szkód.

## SERWIS TECHNICZNY

### Przed wezwaniem serwisu .

W przypadku nie działania produktu zalecamy:

- sprawdzić czy wtyczka została prawidłowo wprowadzona do gniazdka sieciowego;
- sprawdzić powyżej przedstawioną tabelę usterek.

W przypadku gdy nie zostanie wykryta przyczyna nieprawidłowego funkcjonowania należy odłączyć urządzenie bez rozmontowywania go i następnie skontaktować się z Serwisem Technicznym .

## Deklaracja specjalna

---

Cała treść niniejszej instrukcji obsługi została uważnie sprawdzona. Producent nie bierze na siebie odpowiedzialności za błędy lub ominięcia w fazie wydruku.

Producent zastrzega sobie prawo do wprowadzania zmian natury technicznej bez konieczności wcześniejszego powiadomienia. Zdjęcie produktu odnosi się do jego aktualnej wersji.

---



**UWAGA:** zabrania się traktowania tego produktu jako odpadów normalnych. Musi on zostać usunięty oddzielnie.

Niniejsze urządzenie gospodarstwa domowego wyprodukowane zostało zgodnie z dyrektywą europejską 2012/19/KE dotyczącą zużytego sprzętu elektrycznego i elektronicznego.

Zapewniając właściwy sposób realizacji niniejszego sprzętu w poszanowaniu obowiązujących dyrektyw, użytkownik zapobiega jego potencjalnemu negatywnemu wpływowi na środowisko naturalne i zdrowie ludzi, który mógłby być efektem niewłaściwego obchodzenia się z produktem.

Symbol ten wskazuje, że produkt nie może być traktowany jako odpady domowe lecz powinien być przekazany do odpowiedniego punktu zbierającego odpady elektryczne i elektroniczne.

Szczegółowe informacje dotyczące postępowania, odzyskiwania i recyklingu niniejszego produktu można uzyskać od lokanych służb odpowiedzialnych za odpady lub w sklepie, w którym zakupiono produkt.

Детали прибора отвечают следующим требованиям (в случае применения):

РЕГЛАМЕНТ (ЕС) № 1935/2004 о материалах и изделиях, предназначенных для контакта с пищевыми продуктами

### **Правила техники безопасности и техобслуживание**

- Использовать отдельный предохранительный выключатель питания.
- Только для использования в помещении.
- Никогда не мыть струями воды варочную панель во избежание ее повреждения.
- Никогда не использовать индукционную варочную панель вблизи газовых или керосиновых обогревателей.
- Не разогревать продукты в закрытых жестяных банках. Необходимо сначала открыть банку, чтобы избежать разрыва емкости в результате теплового расширения.
- После длительного использования нагревательная зона остается очень горячей. Чтобы избежать ожогов, не дотрагиваться до поверхности варочной панели.
- Периодически проверять, чтобы под варочной панели не было препятствий для циркуляции воздуха (напр. , стекло , бумага и т.д).
- Не оставлять на варочной панели металлических предметов , таких как ножи , вилки , ложки и крышки , во избежание их нагревания .
- Нельзя использовать пустую кастрюлю (без пищевых продуктов), т.к. это может повредить кастрюлю и , в любом случае , является опасным
- Не помещать под индукционной варочной панелью стиральных порошков , чистящих средств или горючих материалов .
- Вслучае поломки поверхности варочной панели , полностью обесточить прибор во избежание поражения электрическим током .

- Не использовать кастрюли с шершавым дном ,чтобы не повредить стеклокерамической поверхности варочной панели .
- Регулярно чистить варочную,панель чтобы не допускать скопления грязи и снижения работоспособности прибора .

• : .

• 8 .

• 8 ,

• , ,

• .

• .

• :

• ..

• , , .

• : :

• .



- Средства отключения должны входить в состав стационарной проводки согласно нормам электромонтажа.
- В инструкциях приведены требования к типу кабеля с учетом температуры задней стенки прибора.
- **ВНИМАНИЕ: ВНИМАНИЕ:** допускается использование только оригинальным защитных устройств, специально разработанных изготовителем кухонного прибора, или тех, которые были указаны изготовителем в инструкции в качестве допустимых, а также защитных устройств, входящих в комплект варочной панели. Использование неподходящих защитных устройств может стать причиной несчастного случая.
  - Всегда используйте подходящую посуду.
  - Всегда помещайте посуду по центру нагревательного элемента, на котором готовите пищу.
  - Не помещайте на панель управления какие-либо предметы.
  - Не используйте поверхность варочной панели в качестве разделочной доски.
  - Варочная поверхность должна остыть, только после этого можно закрыть крышку.
  - **ПРЕДУПРЕЖДЕНИЕ:** процесс приготовления пищи не должен протекать без контроля. Краткосрочный процесс приготовления пищи должен находиться под постоянным контролем.





### Уважаемые господа!

Доводим до Вашего сведения, что данное изделие сертифицировано на соответствие требованиям безопасности органом по сертификации промышленной продукции «РОСТЕСТМОСКВА».

Сведения о номере сертификата и сроке его действия Вы можете получить у продавца магазина, в котором было приобретено данное изделие.

В соответствии с Постановлением Правительства Российской Федерации № 720 от 16.06.1997 г. производитель должен определить срок службы выпускаемых им изделий.

Срок службы наших изделий, при условии их нормальной эксплуатации в домашних условиях с соблюдением всех требований, содержащихся в Инструкции по эксплуатации, в зависимости от типа изделия составляет от 7 до 15 лет, а именно:

Стиральные машины	от 7 до 10 лет
Посудомоечные машины	от 7 до 10 лет
Холодильники	от 7 до 15 лет
Плиты	от 10 до 15 лет
Пылесосы (все типы)	от 7 до 10 лет
Воздухоочистители	от 7 до 10 лет

Часть срока службы, соответствующая тому, что в международной практике известно как срок гарантии, составляет двенадцать месяцев. Данное положение действительно для всех торговых марок, входящих в Группу (Candy, Hoover, Zerowatt, Rosieres, Ibernа, Otsein, Kelvinator).

Фирма-изготовитель не несет ответственности за ошибки печати, которые могут содержаться в инструкциях, и оставляет за собой право улучшения качества собственных изделий, сохраняя неизменными основные технические характеристики.

# КАНДИ ЭЛЕТТРОДОМЕСТИЧИ Бругерио (Милан) УСЛОВИЯ ГАРАНТИЙНОГО ОБСЛУЖИВАНИЯ

## 1. Сертификат

Гарантия действительна только при наличии действительного Гарантийного Сертификата.

Гарантийный Сертификат недействителен при наличии в нем ошибок, исправлений и несоответствий.

В Сертификате должны быть заполнены графы: наименование изделия, модель, серийный номер изделия, дата продажи, подпись продавца, печать торговой организации. При отсутствии даты продажи срок гарантии автоматически исчисляется от даты изготовления изделия.

## 2. Транспортировка и хранение

Любые дефекты изделия, вызванные небрежной транспортировкой и хранением изделия, не подлежат бесплатному гарантийному ремонту.

## 3. Установка и эксплуатация

Бесплатный гарантийный ремонт не производится, если дефект изделия вызван: неправильным подключением изделия к сетям электро, водо и газоснабжения, а также несоответствием параметров вышеуказанных сетей параметрам, предъявляемым обязательными Государственными Стандартами и Инструкцией по эксплуатации; использованием изделия не в соответствии с Инструкцией по эксплуатации, а также небрежной эксплуатацией, повлекшими возникновение механических или других типов дефектов;

использованием изделия не в соответствии с его прямым назначением или не в домашних нуждах.

## 4. Ремонт

Бесплатный гарантийный ремонт не производится, если изделие: имеет следы постороннего вмешательства или ремонта не уполномоченными фирмой лицами;

имеет несанкционированные фирмой изменения конструкции или неприемлемые комплектующие;

имеет повреждения, вызванные непредсказуемыми явлениями и действиями стихии;

имеет повреждения, вызванные использованием нестандартных и неприемлемых расходных материалов и принадлежностей;

имеет повреждения, вызванные попаданием внутрь изделия посторонних предметов, агрессивных веществ, животных или насекомых;

не имеет серийного номера или его невозможно установить.

Гарантия не распространяется на расходные материалы и аксессуары.

## 5. Ответственность

Фирма не несет ответственности за любой причиненный Вам и окружающим ущерб по причине нарушения правил Инструкции по эксплуатации, в особенности вызванный неправильным подключением изделия к сетям электро, водо и газоснабжения, и недопустимыми отклонениями параметров в вышеперечисленных сетях, неправильной эксплуатацией, несанкционированным ремонтом, использованием изделия не по прямому назначению.

Ввод изделия в эксплуатацию и доработка сетей электро, водо и газоснабжения для совместимости с изделием не являются зоной ответственности фирмы и фирмой не оплачиваются.

В случае возникновения каких-либо проблем с Вашим изделием, перед тем как вызвать мастера, проверьте правильность установки и функционирования в соответствии с Инструкцией по эксплуатации. Оплату вызова Вы будете производить за свой счет, если изделие было в рабочем состоянии или было неправильно установлено или использовано.

### Уважаемый клиент,

хотим поблагодарить Вас за то, что вы остановили свой выбор на индукционной варочной панели CANDY - приборе, который, без сомнения, на протяжении многих лет удовлетворит Ваши потребности.

Внимательно прочитайте данное руководство перед тем, как приступить к эксплуатации прибора, и бережно храните его, чтобы в будущем вы могли обратиться к нему в момент необходимости.

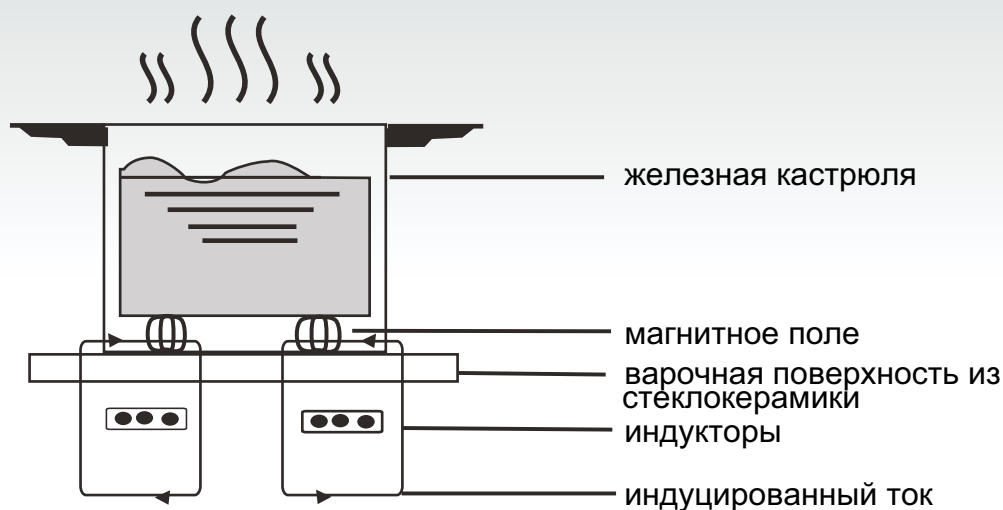
## Введение

Индукционная варочная панель способна удовлетворить многочисленные нужды, связанные с приготовлением пищи способом электромагнитного нагрева благодаря многофункциональной системе управления со встроенным микропроцессором, что делает ее идеальным решением для современной семьи.

Этот электробытовой прибор, выполненный из специальных материалов, отличается простотой в использовании, прочностью и надежностью.

## Принцип работы

Индукционная варочная панель состоит из электрической спирали, плиты из ферромагнитного сплава и системы управления. Электрический ток генерирует вокруг спирали мощное электромагнитное поле. Это приводит к возникновению волн, генерирующих тепло, которое затем передается емкости, расположенной на варочной панели.



## Техника безопасности

Данная варочная панель предназначена для использования в домашних условиях.

Мы стремимся к постоянному совершенствованию нашей продукции и поэтому оставляем за собой право вносить изменения в наши изделия в соответствии с новейшими достижениями науки и техники.

### ● Защита от перегрева

Внутри варочной панели имеется датчик, контролирующий температуру. Если температура превышает безопасный уровень, варочная панель автоматически выключается.

### ● Обозначение предметов, соприкасающихся с варочной панелью

Если поместить на варочную панель кастрюлю диаметром менее 80 мм, мелкие предметы (ножи, вилки, ключи) или кастрюлю из немагнитного материала (например, алюминия), то автоматически подается звуковой сигнал, который звучит приблизительно в течение 1 минуты. Если причина не будет устранена, варочная панель автоматически переключается в режим ожидания.

### ● Аварийный сигнал остаточного тепла

Если варочная панель использовалась в течение длительного времени, в ней может оставаться остаточное тепло. Буква "H" на дисплее предупреждает, что нельзя прикасаться к панели.

### ● Защита путем автоматического выключения

Функция автоматического выключения представляет собой дополнительную защиту Вашей индукционной варочной панели, которая автоматически подключается, если по забывчивости панель остается включенной. Время срабатывания автоматического выключения варочной панели зависит от используемого уровня мощности в соответствии с приведенной ниже таблицей:

Уровень мощности	Нагревательная зона автоматически отключается через
1-3	8 часов
4-6	4 часа
7-9	2 часа

Когда по завершению процесса варки кастрюля снимается, индукционная варочная панель больше не нагревает и после подачи звукового сигнала продолжительностью около 1 минуты отключается.

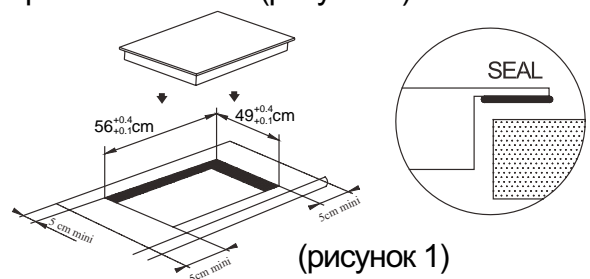
### Примечание:

лица, использующие электрокардиостимуляторы, могут эксплуатировать данный прибор только с разрешения своего лечащего врача.

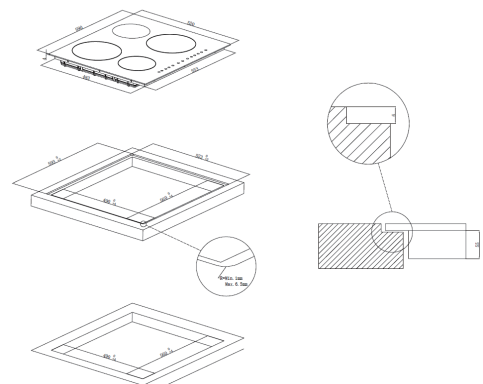
## Монтаж

### Порядок монтажа

1. Вырезать проем на поверхности шкафа, соблюдая размеры, указанные на чертеже; для правильного монтажа необходимо, чтобы от панели до краев опорной поверхности оставалось не менее 5 см. Убедиться, что толщина опорной поверхности, в которую встраивается варочная панель, составляет, по крайней мере, 30 мм, и что поверхность выполнена из жаростойкого материала в целях избежания ее деформации под воздействием тепла, выделяемого варочной панелью (рисунок 1).

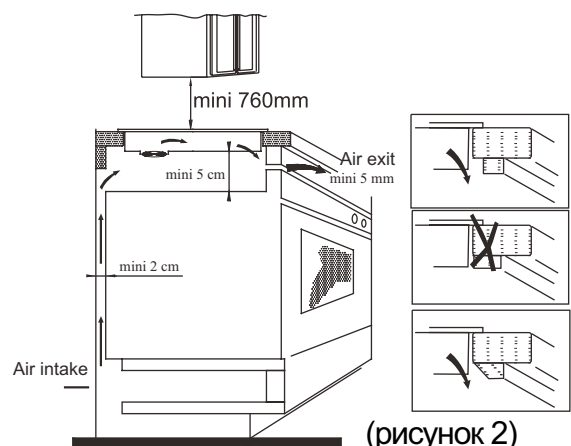


(рисунок 1)



Установка заподлицо: выполнимо, только если под прилавком не установлена духовка

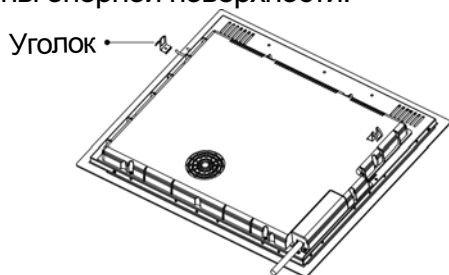
2. Обязательно проверить, чтобы индукционная варочная панель была прочно вмонтирована в опорную поверхность и хорошо вентилировалась (рисунок 2).



(рисунок 2)

**Примечание:** расстояние между варочной панелью и расположенным выше предметом не должно быть менее 760 мм.

3. После установки варочной панели зафиксировать ее четырьмя уголками к опорной поверхности (как показано на рисунке). Отрегулировать каждый отдельный уголок в зависимости от толщины опорной поверхности.



**Меры предосторожности**

- (1) Монтаж индукционной варочной панели должен осуществляться квалифицированным техническим персоналом. Не пытайтесь провести установку самостоятельно.
- (2) Нельзя монтировать индукционную варочную панель на холодильниках, посудомоечных или сушильных машинах.
- (3) Необходимо установить индукционную варочную панель таким образом, чтобы обеспечить оптимальный отвод тепла.
- (4) Стенки и зона, находящиеся под индукционной варочной панелью, должны быть жаростойкими.
- (5) Чтобы избежать повреждений, тонкая пленка, с помощью которой варочная поверхность приклеивается к опорной поверхности, должна быть жаростойкой.

**4. Подключение к сети электропитания**  
Подключение к сети электропитания должно проводиться квалифицированным персоналом в соответствии с действующими нормативами. Схема соединения панели показана на рисунке 3.

Напряжение	Подсоединение проводов				
380-415 В 3/N~	1 L1	2 L2	3 N	4 N	5 ⏏
	Черный	Коричневый	Синий	Желтый/зеленый	
220-240 В~	1 L	2 L	3 N	4 N	5 ⏏
	черный и Коричневый		Синий	Желтый/зеленый	

Убедиться, что варочная поверхность подсоединена к эффективной системе заземления в соответствии со стандартами и положениями закона. Наличие заземления является обязательным.

Фирма-производитель отклоняет какую-либо ответственность за ущерб, нанесенный людям или имуществу, вследствие несоблюдения данного правила.

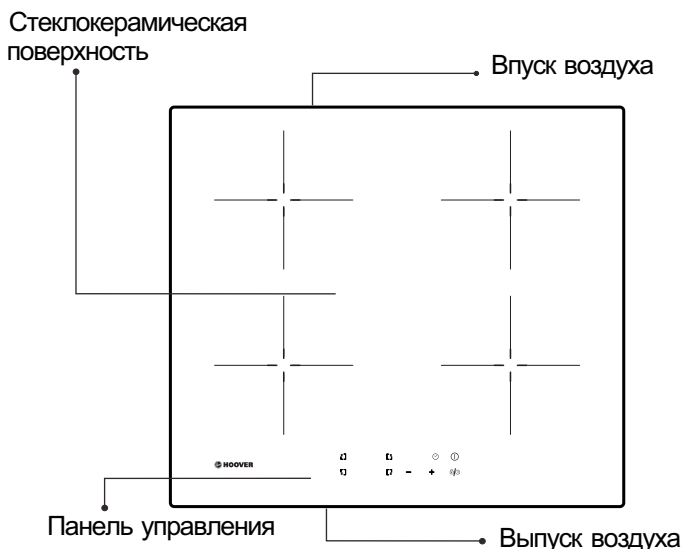
Если прибор не оснащен штепселем, подсоединить к кабелю стандартный штепсель, способный выдерживать нагрузку, указанную на табличке с паспортными данными.

Если потребуется выполнить стационарное подключение к сети электропитания, необходимо установить между прибором и сетью электропитания многополюсное размыкающее устройство с зазором между контактами не менее 3 мм.

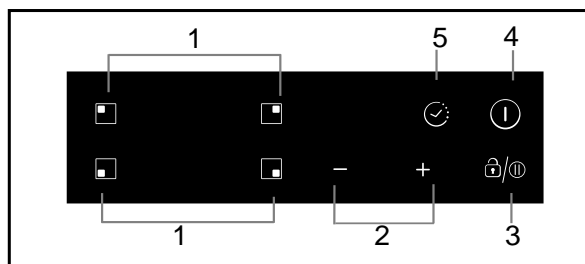
Если кабель поврежден, необходимо обеспечить его замену, которая должна выполняться только квалифицированными специалистами.

Не допускать перегиба или сжатия кабеля.

**Описание индукционной варочной панели**



**Схема панели управления**



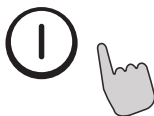
- 1. Кнопки выбора зоны нагрева
- 2. Регулятор мощности/таймера
- 3. Блокировка/Пауза
- 4. Кнопка ВКЛ/ВЫКЛ
- 5. Таймер

## Инструкции по эксплуатации

### Подготовка перед использованием:

Сразу же после включения варочная поверхность подает звуковой сигнал, все светодиоды мигают в течение 1 минуты, обозначая, что варочная поверхность находится в режиме ожидания.

Поставить кастрюлю в выбранную нагревательную зону.

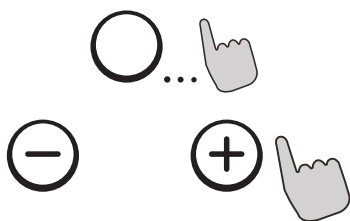


### Эксплуатация

После нажатия клавиши «ВКЛ./ВЫКЛ.» все светодиоды показывают символ «-». Выбрать нагревательную зону, в которой находится кастрюля; светодиод уровня мощности выбранной зоны начнет мигать. Нажать клавишу «+» или «-», на дисплее отобразится базовое значение 5, настроить на желаемый уровень с помощью клавиш «+» или «-». Одновременно нажимая клавишу «+» и клавишу «-», значения предыдущих настроек обнуляются и нагревательная зона варочной панели выключается.

В таблице на стр. 89 указан максимальный уровень мощности для каждой нагревательной зоны панели.

**Примечание:** Если после нажатия клавиши «ВКЛ./ВЫКЛ.» на панели в течение 1 минут не проводится каких-либо операций, индукционная варочная панель переходит в режим ожидания.



### Функция ТАЙМЕР

При нажатии клавиши ТАЙМЕР, светодиод на дисплее начинает мигать, и можно задавать время приготовления. С помощью клавиш «+» и «-» время настраивается в диапазоне от 1 до 99 минут. При нажатии клавиши «+» значение настройки увеличивается с шагом в 1 минуту; при нажатии клавиши «-» значение настройки

уменьшается с шагом в 1 минуту. Превысив 99 минут, значение настройки таймера автоматически устанавливается на 0. При одновременном нажатии клавиш «+» и «-» значение на дисплее возвращается к 0.



### Подтверждение функции ТАЙМЕР

1. Выбрать уровень мощности нужной нагревательной зоны, нажать клавишу «таймер» и задать время.
2. После того, как таймер мигает в течение приблизительно 5 секунд, заданное время автоматически подтверждается.
3. Задав интервал времени, нажать клавишу «ТАЙМЕР» для проверки заданного значения.
4. При нажатии на «Таймер» внизу справа появляется точка обозначение уровня мощности выбранной зоны.

### Отмена функции ТАЙМЕР

Нажать и удерживать нажатой клавишу «таймер» в течение 5 секунд для отмены заданной перед этим функции. Надисплее отобразится 0.

### Безопасное состояние

Для обеспечения безопасности детей индукционная панель оборудована блокировкой. Для блокировки: нажмите кнопку «Interlock», панель перейдет в состояние блокировки «Interlock», на таймере появится надпись «Lo». Все кнопки, за исключением ON/OFF работать не будут.

### Разблокировка

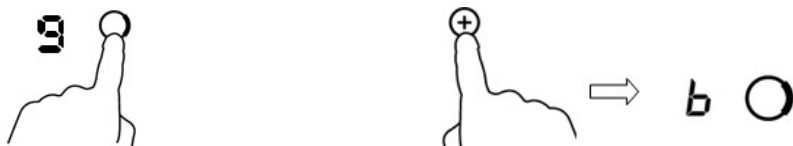
Нажмите и удерживайте кнопку 2 секунды кнопку «Interlock», панель вернется в рабочее состояние



## Режим быстрого нагрева

Дотроньтесь до кнопки выбора зоны нагрева, затем нажмите «+». На дисплее должно отобразиться «9».

Вновь дотроньтесь до кнопки «+», индикатор зоны покажет «b» и мощность достигнет максимального предела.



## Отмена режима быстрого нагрева

Для отмены функции быстрого нагрева дотроньтесь до кнопки «-», зона приготовления пищи вернется в изначальным настройкам.

Одновременно нажмите кнопки «+» и «-». Зона приготовления пищи выключится, произойдет автоматическая отмена функции быстрого нагрева.



- Через 5 минут зона приготовления пищи вернется к изначальным настройкам.



**Примечание:** Изготовитель рекомендует включать вытяжку за несколько минут до начала приготовления пищи, а выключать через несколько минут после окончания готовки.

## Пауза

- Вместо выключения варочной панели можно поставить нагрев на паузу.
- Во время действия режима паузы работает только кнопка ВКЛ/ВЫКЛ, остальные - нет.

Включение режима паузы	
Нажмите на кнопку Блокировка/Пауза	На всех индикаторах отобразится «11».
Разблокировка кнопок	
Нажмите на кнопку Блокировка/Пауза	



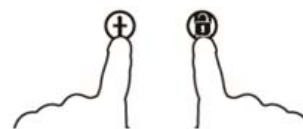
При нахождении конфорки в режиме паузы работает только кнопка ВКЛ/ВЫКЛ , остальные нет; при необходимости вы можете в любой момент выключить индукционную конфорку кнопкой ВКЛ/ВЫКЛ .

## Функция регулировки мощности

- Можно установить максимальный уровень энергопотребления индукционной конфорки, установив один из пяти диапазонов мощности.
- Индукционные панели способны автоматически ограничивать свою работу для предотвращения перегрузки.

### Для доступа к функции регулировки мощности

Включите конфорку, нажмите одновременно «+» (таймер) и значок замка



Индикатор таймера покажет «P5», что означает 5-й уровень мощности. По умолчанию установлена мощность 7,0/7,1 кВт.

### Переход к другому уровню

Нажмите на таймере +/- . Существует 5 уровней мощности (от P1 до P5). Индикатор таймера отобразит один из них.

“P1” : максимальная мощность 2,5 кВт.

“P2” : максимальная мощность 3,5 кВт.

Указание «P5» на таймере означает 5-й уровень мощности. По умолчанию установлена мощность 7,0/7,1 кВт.

“P3” : максимальная мощность 4,5 кВт.

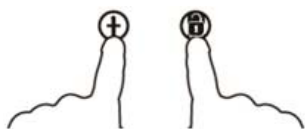
“P4” : максимальная мощность 5,5 кВт.

“P5” : максимальная мощность 7,0/7,1 кВт.



### Подтверждение и выход из функции регулировки мощности

Нажмите одновременно «+» (таймер) и значок замка для подтверждения.



Конфорка выключится.



## Выбор кухонной посуды для приготовления пищи



железная сковорода  
для жарки



кастрюля из  
нержавеющей стали



железный  
котелок



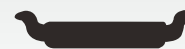
железная  
сковорода



эмалированный кипятыльник из нержавеющей  
стали эмалированная кастрюля



плоская



железная  
сковорода

1. Существует большое разнообразие кухонной посуды, которая годится для использования с индукционной варочной панелью. Данная варочная панель способна распознавать посуду. Можно проверить пригодность посуды одним из описанных ниже методов: поместить кастрюлю в одну из нагревательных зон. Если на индикаторе этой нагревательной зоны появляется отображение уровня мощности, значит кастрюля годится к использованию; если же отображается символ "U", это означает, что эту кастрюлю нельзя использовать для индукционного нагревания.
2. Поднести к кастрюле магнит: если магнит притягивается к кастрюле, это означает, что она пригодна для индукционного нагревания.

**Прим.:** днище посуды должно быть выполнено из материалов, обладающих магнитной проводимостью.

Днище кастрюли должно быть плоским, диаметром более 14 см.

\* I класс защиты от поражения током

\* Serial number / Серийный номер: 33800842 - 0920 0001

Серийный номер состоит из 16 цифр. Первые 8 цифр – код модели. Следующие 4 цифры – дата производства (год, неделя). Последние 4 цифры – заводские номера.

## Чистка и техобслуживание

Поверхность варочной панели можно чистить следующим образом:

Тип загрязнения	Метод чистки	Материал для чистки
небольшие загрязнения	вымыть горячей водой и высушить	губка
сильное загрязнение	вымыть горячей водой и высушить чистить абразивной губкой для стеклокерамики	специальная абразивная губка для стеклокерамики
накипь	полить белым уксусом загрязненный участок и почистить мягкой тканью или использовать специальное чистящее средство	специальная клейкая пленка для стеклокерамики
Расплавленный сахар, пластмасса или алюминий	Для удаления загрязнений использовать специальный скребок для стеклокерамики (чтобы защитить стекло, рекомендуется использовать средство на основе силикона)	специальная клейкая пленка для стеклокерамики

**Примечание:** перед проведением чистки, отсоединить прибор от источника питания.

## Индикация неисправностей и проверки

В случае возникновения сбоев в работе индукционной варочной панели, автоматически включается защитная функция, и на дисплее отображаются следующие коды неисправностей:

Неисправность	Возможные причины	Метод устранения
F0/F1/F2	неисправность вентилятора	обратиться к поставщику
F3-F8	неисправность температурного датчика	обратиться к поставщику
E1/E2	ненормальное напряжение питания	проверить наличие электрического питания; после проведения проверки вновь включить прибор
E3/E4	ненормальная температура	проверить кастрюлю
E5/E6	недостаточный уровень излучения тепла	дождаться охлаждения прибора и вновь включить его

В данном перечне приведены наиболее часто встречающиеся неисправности.

Не демонтировать самостоятельно индукционную варочную панель, чтобы избежать опасности и не причинить большего вреда.

## СЛУЖБА СЕРВИСНОГО ОБСЛУЖИВАНИЯ КЛИЕНТОВ

### Перед тем, как звонить в службу сервисного обслуживания

В случае возникновения неполадок в работе прибора рекомендуется:

- убедиться, что штепсель правильно подсоединен к электрической розетке;
- прочитать приведенную выше таблицу с по выявлению неисправностей.

Если причина неисправности не установлена:

выключить прибор, не разбирать его и позвонить в службу сервисного обслуживания клиентов.

## Специальная декларация

Вся информация, приведенная в данном руководстве, была тщательно проверена. Тем не менее, производитель не несет ответственности за ошибки, допущенные при печати. Кроме того, в случае выхода новой редакции руководства по эксплуатации, в него могут быть вносятся технические изменения без предварительного уведомления.

Изображение изделия соответствует действительности.



**ВНИМАНИЕ:** не выбрасывать данный прибор, как обычные бытовые отходы. Он подлежит раздельной утилизации.

Для получения более подробной информации по переработке и утилизации этого изделия обратиться в местный центр утилизации отходов или в магазин, где было приобретено изделие.

Настоящий электрический прибор выполнен в соответствии с европейской директивой 2012/19/CE по утилизации электрического и электронного оборудования.

Соблюдение директив, касающихся утилизации данного прибора, помогает предотвратить ущерб, который может быть нанесен окружающей среде и здоровью в результате обычной утилизации.

Этот символ означает, что изделие не подлежит утилизации в качестве бытовых отходов, а должно быть направлено в организацию, занимающуюся сбором электрических и электронных компонентов.

**Сервис продукции всех марок группы Sandy, оригинальные запасные части,  
расходные материалы, аксессуары**

<b>Город</b>	<b>Сервисный центр</b>	<b>Телефон</b>	<b>Адрес</b>
<b>Беларусь</b>			
Брест	ОДО «Золак»	(80162) 426394	224028, ул. Орловская, 10
Витебск	ЧП Сиваченко А.К.	(80212) 916448	210033, ул. Туристская, 28
Гомель	ЧПТУП «НораСервис»	8 (10375232) 530916, 531173	246050, Интернациональная, 10, офис 717
Гродно	УЧТСП «Салби»	(80152) 315113, 780759	230009, ул. Горького, 72, к. 210
Минск	ООО «Техноторговая фирма «Вяткасервис»	(81037517) 2237239, 2268873	220035, ул. Заславская, 17
Минск	ТЧУП «МИНТЕХПРОМЦЕНТР»	(017) 2222330	220007, Левкова, 3, корп. 1
Могилев	ИП Козловский А.Я.	(80222) 252540	212030, ул. Лепешинского, 12
<b>Казахстан</b>			
Актау	ТОО «STSCo. Ltd»	8 (329) 2513000, 2518712	466200, 2й микрорайон, здание 12
Актобе	ЗАО ТоСТ	(3132) 518197	463000, прт АбулхаирХана, 58
Алматы	ТОО «Планета СервисЦентр»	(3272) 737222, 738222	480002, прт ЖибекЖолы, 32
Алматы	ТОО «КОМБИТЕХНОЦЕНТР»	(8327) 2689898, 682652, 434330	480008, Шевченко, 147в
Астана	ТОО «ПТНСервис»	(3172) 366455	473000, прт АбылайХана, 8/1 кор. 2, оф. 1
Павлодар	ТОО фирма «Отрар2»	(3182) 451035	Циолковского, 11
Петрозаводск	ТОО «Фирма Логика»	8(3152) 338700	642023, Интернациональная, 61
Семипалатинск	ТОО «ДЕЛЬТА»	(3222) 640607	490002, 20 квартал, дом 14
Тараз	ЧП Михальчук	(3262) 451356, 450999	484039, Толе би, 51
УстьКаменогорск	ТОО «Оптимист»	(3232) 261201, 275277	492000, Орджоникидзе, 50, оф. 44
Шымкент	ЧП «Мусаев» СЦ «ЭВРИКА»	(3252) 567692, 562887	486050, прт Б. Момышулы, 7
<b>Молдова</b>			
Кишинев	«ВЛАНАТЭКС»	(3722) 545474	MD2001, Бул. Гагарина, 2
<b>Россия</b>			
Абакан	Сити Сервис (ЧП Кобылянский)	(39022) 66564	655017, ул. Вяткина, 12.
Альметьевск	Триумф	(8431) 227953	423450, ул. Джалиля, 47
Альметьевск	Филиал ООО «ЭлекамСервис Плюс»	(8553) 371789	Герцена, 80
Архангельск	ЧП Ульянов	(8182) 276912	163061, ул. Суворова, 12
Астрахань	ЧП Савин Н.К. ООО СЦ АТЛАНТ 2001	(8512) 382867, 383584, 251232	ул. СенСимона, 4226
Астрахань	АстраСервис (ЧП Кузнецов А.Ф.)	(8512) 398216	414041, ул. Яблочкова, 1В
Барнаул	ООО «ХелмиСервис»	(3852) 239402, 235988	656049, Пролетарская, 113
Барнаул	ПБООЛ Пахомов Е.С.	(3852) 353750, 353751	656049, прт Красноармейский, 36, оф. 310, 311
Барнаул	Пром'Экс	(3852) 772323	656011, пр. Калинина, 24А
Белгород	ООО «ВыборСервис»	(0722) 329652	308013, Энергетиков, 2
Белгород	Союзсервис (ЧП Богушева)	(0722) 253400	308034, прт Ватутина, 5А
Биробиджан	ООО «Реал Электроник»	(42622) 40721	679016, ЕАО Димитрова, 3
Благовещенск	ООО «Фирма Олакс»	(4162) 522000, 524000	675002, Ленина, 27
Братск	ИП Манягин В.Н.	(3953) 476907	665708, Пионерская, 23
Брянск	МТКсервис	(0832) 756900	241001, ул. Красноармейская, 170
Бузулук	ЧП Кудашев В.А. СЦ «Альянс»	(3534) 227147	461049, 2 микр., 34
Великий Новгород	Региональный сервисный центр Ч.П. Богдасаров Б.Г.	(8162) 191150	173526, п. Панковка, Промышленная, 1
Великий Новгород	СЦ «Электроника», Смирнов В.В. ЧП	(816) 643654	173008, Большая СПбетербургская ул., 81А
Владивосток	СЦ «МореСервис» (ПБООЛ Занегин В.Г.)	(4232) 400999, 401420	690600, ул. Алеутская, 45А
Владикавказ	Арктикасервис	(8672) 755007	362015, прт Коста, 15

Владикавказ	ООО «АльдаСервис»	(8672) 548202	362007, Кугузова, 82
Владимир	ООО «РостСервис»	(0922) 305055	600031, Юбилейная, 60
Владимир	Видео Сервис (ЧП Осинцев)	(0922) 240819	600022, ул. Новоямская, 73
Владимир	Домовой	(0922) 322309	600000, ул. Урицкого, 26
Владимир	Мастер Сервис	(0922) 324846	600000, ул. Большая Московская, 19
Волгоград	ООО «РБТСЕРВИС»	(8442) 306105	4000081, ул. Калеганова, 3
Волгоград	ООО «КлассикаСервис»	(8442) 975010	400120, Елецкая, 173
Волгоград	ООО «Толиман»	(8442) 325817, 377919	400050, Рокоссовского, 58
Волгоград	ООО фирма «Мир Видео 1»	(8442) 344136	400005, прт. Ленина, 58/1
Волжский	ООО фирма «Мир Видео 1»	(8443) 566022	404127, Дружбы, 21
Вологда	ЧП Зверев Е.А. фирма «Лот»	(8172) 716394	160026, Панкратова, 75А
Вологда	ЧП Астапович	(8172) 254526	610000, ул. Карла Маркса, 89
Воронеж	ЗАО «Беркут»	(0732) 701670	394006, ул. Ворошилова, 2
Воронеж	ОАО ВТТЦ «Орбитасервис»	(0732) 774329, 774397, 520544	394030, Донбасская, 1
Воронеж	ООО «КвантСервис»	(0732) 394173, 564675	394000, Старых большевиков, 1в
Воронеж	ООО «РадиоимпортСервис»	(0732) 362595, 769600	394052, Матросова, 66а
Воронеж	ООО «Технопрофсервис»	(0732) 463179, 567461	394026, проспект Труда, 91
Воскресенск	ООО «Эпикур»	(244) 50177	140200, Советская, 4а, ком. 411
ГусьХрустальный	ООО «СуперСервис»	(09241) 34801	601505, Калинина, 52
Димитровград	СЦ Эльдорадо	(84235) 75121	433513, ул. Льва Толстого, 53
Долгопрудный	ООО «Долгопрудный цех ремонта бытовых машин и приборов»	(095) 4088887	141700, Долгопрудный, Дирижабельная, 4
Екатеринбург	ООО «Уральский вал – Сервис»	(3432) 520107, 520110, 520114, 734768	620050, ул. Монтажников, 4
Екатеринбург	НордСервис	(3432) 340828, 342378, 359442	620057, ул. Донская, 31
Екатеринбург	ООО «Компания БонусПлюс»	(3432) 746162	620078, Малышева, 138
Екатеринбург	ООО «Корепанов и К»	(3432) 746162	620050, Техническая, 34
Екатеринбург	ООО «СоникоЕк»	(3432) 691948	620130, Ст. Разина, 109
Ессентуки	Симпэкс	(87934) 35090, 38861	357600, ул. Пятигорская, 143
Ессентуки	Стинол	(87934) 52044	357600, ул. Чапаева, 65
Железногорск	ООО «ЭриданСервис»	(39197) 44958	662978, Ленинградский проспект, 35
Заинск	Филиал ООО «ЭлекамСервис Плюс»	(25558) 20489	Рафикова, 8б
Зеленоград	ООО «Протор сервис»	(095) 5378207, 5378212	124683, корпус 1534
Иваново	ООО «Центр Ремонтных Услуг»	(0932) 291510, 23671, 291738	153048, Ген. Хлебникова, 36

**Сервис продукции всех марок группы Sandy, оригинальные запасные части,  
расходные материалы, аксессуары**

<b>Город</b>	<b>Сервисный центр</b>	<b>Телефон</b>	<b>Адрес</b>
Иваново	ООО «АСЦ Спектр»	(0932) 293942	153035, 1 Полевая, 33
Ивантеевка	Берингов пролив Магнум	(253) 61194, 5000560	141250, Советский проспект, 2А
Ижевск	ООО «Служба сервиса Ваш дом»	(3412) 753464, 757777	426063, ул. Ключевой поселок, 63А
Ижевск	Аргуссервис	(3412) 226336, 436982	426000, ул. К. Маркса, 395
Ижевск	ООО «РИТСервис»	(3412) 432039, 430667	426008, Пушкинская, 216
Иркутск	Комту Сервис	(3912) 271157	664081, ул. 4я Советская, 65
Иркутск	ТИС	(3952) 513109, 333859	664000, ул. Партизанская, 149
ЙошкарОла	Розовый дельфин	(8362) 112389	424000, прт Гагарина, 7
Казань	ООО «Ваш Дом – Сервис»	(8432) 722444, 723246	420073, ул. А. Кутуя, 8А
Казань	ООО «ЛУАЗО»	(8432) 993303, 993427	420126, Ямашева, 82
Калининград	ООО Техноторговый центр «Вега»	(0112) 434904, 461981	236038, ул. Гагарина, 41\45
Калуга	ООО «МастерСервис»	(0842) 561822, 561821	248600, Рылеева, 39, корп. 2
Кемерово	КВЭЛ	(3842) 358319	650004, ул. Соборная, 8
Кемерово	ООО «ТЦ Архимед»	(3842) 379570	650070, Тухачевского, 29А
Кемерово	Сибирская сервисная компания	(3842) 361222	650099, ул. Островского, 12А
Кимры	СЦ «ПрестижСервис», ПБЮОЛ Сазонов А.Н.	(08236) 32138	171506, Урицкого, 9
Киров	Квадрат	(8332) 373273	610027, ул. К. Маркса, 127
Киров	ООО фирма «Электронсервис»	(8332) 271974	610021, Производственная, 18
Ковров	ООО «БытСервис+»	(09232) 31281	601900, Лопатина, 19
Коломна	Росинка2	(26) 141486	140400, Московская обл., прт Кирова, 15
Кольчугино	МУП «Старт»	(09245) 22657	601786, ул. 50 лет Октября, 15
Кострома	Гепард	(0942) 312501	156000, ул. Молочная гора, 3, Рыбные ряды, к. 1
Краснодар	ЧП Пузенко	(8612) 521281, 521160, 520934	350072, Московская 5 (зд РИП)
Красноярск	ЧП Близнецов	(3912) 276720, 653441	660020, ул. Дудинская, 12А
Красноярск	ЧП КуршаковаКвалком	(3912) 555063, 669869	660000, ул. Борисевича, 20
Курган	ТВсервис (ЧП Горланов)	(3522) 461542	640000, ул. Кирова, 83
Курган	Товарищество предпринимателей	(3522) 457683	640020, ул. Красина, 41
Курск	Сервисный центр «Сунцов»	(0712) 521340	305004, ул. Л. Тостого, 9
Липецк	ТОМсервис	(0742) 345252, 346750	398016, ул. Космонавтов, 10
Магадан	Видео Сервис (ЧП Осинцев)	(41322) 75706	685000, ул. Гагарина, 28В, офис 64
Магадан	Предприниматель Шангиленко П.М.	(41322) 75844	685000, Пролетарская, 59
Магнитогорск	МУП завод «Рембыттехника»	(3519) 232464	Ленинградская, 17
Майкоп	Джун Ltd	(87722) 47527, 70013, 70016	385000, ул. Хакурате, 155
Майкоп	ООО «Электрон – Сервис»	(87722) 66238	385018, Димитрова, 25
Махачкала	АСЦ «Техник ISE»	(8722) 647133, 642895	367026, ул. Имама Шамиля, 20
Миасс	Сервисный центр «Мастер»	(35135) 72462	пр. Автозаводцев, 49
Минеральные Воды	ПБЮОЛ Богданов В.А.	(87922) 76145	357202, Московская, 29а
Москва	ГТЦ «Мир и Сервис»	(095) 7440014	115477, Пролетарский прт, 23
Москва	ЗАО «КДС – Технический центр» / CPS – Technical Centre	(095) 7973434	121290, Шелепихинская набережная, 18
Москва	МВидеоСервис	(095) 7420101	109202, 2ая Карачаровская ул., 14
Москва	ООО «АМО БытСервис»	(095) 3212001, 3915027	115551, Домодедовская, 7, кор. 3
Москва	ООО РТЦ «Совинсервис»	(095) 4739003	129081, Ясный проезд, 10
Московская область	ООО «СТИ РемБытСервис»	(095) 2593663, 2590626	123100, Москва, ул. Анатолия Живова, 8, стр.1
Мурманск	ООО РТТЦ «ЭлектроникаСервис»	(8152) 595027	183050, пр. Ледокольный, 5

Мурманск	СиПиЭс	(8152) 237233	183038, ул. Марата, 1
Муром	ООО «ИнросСервис»	(09234) 46060	602252, Московская, 111
Набережные Челны	ООО «ЭлекамСервис Плюс»	(8552) 538527	423815, прт Вахитова, 30/05
Набережные Челны	Филиал ООО «ЭлекамСервис Плюс»	(8552) 497337	Набережная Тукая, 10/70
Нефтеюганск	СЦ Юганск (ЧП Якимов)	(34612) 52232, 52242	628303, 10 микрон, д. 9, кв. 53
Нижнекамск	Филиал ООО «ЭлекамСервис Плюс»	(8555) 348350	Студенческая, 6
Нижний Новгород	ООО «НИСКОМ»	(8312) 650203	603009, Пятигорская, 4 А
Нижний Новгород	ПБОЮЛ Зорькин А.Я. СЦ «Бытовая автоматика»	(8312) 783552	603105, Ошарская, 88/1
Нижний Новгород	Гарант Грешнихин	(8312) 623601, 620029, 163141	603146, ул.Заярская, 18
Нижний Новгород	ООО Сервисный центр «Электроника»	(8312) 546818, 594620	603158, Лескова, 8
Нижний Новгород	ПБОЮЛ Божев Н.А. (Сервисный Центр «ТОКИО»)	(8312) 296366, 704251	603003, Заводской парк, 21
Нижний Тагил	ЦТО Ока	(3435) 410008, 295687	622036, ул. Октябрьской революции, 66
Новокузнецк	ЧП Волков	(3843) 554531	654038, ул. 40 лет ВЛКСМ, 34
Новомосковск	АВСцентр	(08762) 69920, 62227	301650, ул. Московская, 1
Новосибирск	Фрегат	(3832) 180207	630004, ул. Ленина, 53
Новосибирск	ООО «ИРП»	(3832) 101024	630007, Советская, 5а
Новосибирск	ООО «Сибирский Сервис»	(3832) 924712	630054, Плахотного, 39
Новосибирск	ООО РТЦ «Совинсервис»	(3832) 230661, 232775	630091, Красный проспект, 50, Дом быта, 5 эт.
Норильск	Сервисцентр «Норильск Регион Сервис»	(3919) 481043	663300, Комсомольская, 4822
Обнинск	Радиотехника	(08439) 53131	249037, пл. Треугольная, 1
Омск	ООО «Телетекст сервис»	(3812) 312530	644042, пр. Маркса, 18
Омск	СБТ	(3812) 251610	644007, ул. Чернышевского, 2
Орел	ЗР ОО ОО ОО ВОИ	(0862) 51956	302001, ул. Черкасская, 2

**Сервис продукции всех марок группы Sandy, оригинальные запасные части,  
расходные материалы, аксессуары**

<b>Город</b>	<b>Сервисный центр</b>	<b>Телефон</b>	<b>Адрес</b>
Орел	МастерЪ	(0862) 751480	302016, ул. Латышских Стрелков, 1
Оренбург	ТОО «Технический Центр «ЛикосСервис»	(3532) 775505, 776554, 779189	460006, Невельская, 8А
Орск	АльянсС	(3537) 266266	462428, ул. Краматорская, 10
Пенза	ООО «Техносервис»	(8412) 544301	440600, Пушкина, 10
Пенза	Техсервис	(8412) 558598	440044, ул. Коммунистическая, 28
Пермь	ООО «ИмпортСервис»	(3422) 656983, 661260	614107, Инженерная, 10
Пермь	СатурнР	(3422) 910281, 906163	614066, ул. Чайковского, 35
Пермь	СЦ «ЕвроСервис» (ИП Мосунов А.Л.)	(3422) 135333, 361394	614000, Большевикская, 134
Петрозаводск	СЦ «Быттехника»	(8142) 519008, 517239	185026, ул. Сортавальская, 14
Псков	САМ Беляев	(8112) 165527	180004, прт Октябрьский, 56
Пятигорск	ПБЮЮЛ Родионов Д.А.	(87933) 40666	357500, прт Калинина, 54а
Раменское	ООО «Сервисцентр Техника»	8 (096) 4674385, 73499, 32127	140100, МО, ул. Школьная, 9
РостовнаДону	ООО «Абрис плюс»	(8632) 443590	344018, пр. Буденновский, 72а
РостовнаДону	Ростовский филиал ООО «РТЦ Совинсервис»	(8632) 405782	344006, Соколова, 11
РостовнаДону	ЭЛТЕХ	(8632) 474152, 474152, 625268	344079, ул. Ленина, 63
Рыбинск	ООО «Трансэкспедиция», АСЦ «МЭДЖИК»	(0855) 556572, 286572	152920, пр. Серова, 8. АСЦ «МЭДЖИК»
Рыбинск	Служба «Техносервис» ЧП Удальцов	(0855) 520472, 246006	ул. Свободы, 12А
Рязань	ООО «Торговая компания НИСА»	(0912) 329281	390041, Зубковой, 17Б
Рязань	ООО «Фонограф Сервис»	(0912) 721712	390026, пл. 50летия Октября, 1
Рязань	Сервисный центр	(0912) 210734, 251580, 292300	390011, Куйбышевское ш., 21
Рязань	СпаркС	(0912) 215720, 774096	390046, ул. Горького, 17, офис 20
Самара	ООО «ОрбитаСервис»	(8462) 626262, 628869	443074, Мориса Тореза, 137
Самара	Политехсервис (ЧП Идрисов)	(8462) 311740	443010, ул. Льва Толстого, 14
Самара	СервисЦентр	(8462) 349428, 349463	443096, ул. Мичурина, 15, ТТЦ «Аквариум», 1й этаж, секция 1/2
СанктПетербург	«ВяткаСервис», ООО	(812) 3712464, 3270470, 3719228	196158, Московское шоссе, 5
СанктПетербург	ООО РТЦ «Совинсервис» СПб филиал	(812) 2750121, 2750571, 2750556	193144, Суворовский пр., 35
Саранск	Верона ООО	(8342) 483111	430000, ул. Пролетарская, 36
Саранск	ВидеоСервис (ЧП Гришин В.П.)	(8342) 245485, 249858	430016, ул. В. Терешковой, 18А
Саратов	Скарт	(8452) 484131, 484132	410040, прт 50 лет Октября, 110А
Саратов	СарСервис	(8452) 510099, 520520	410078, ул. Аткарская, 42/54
Северодвинск	ЧП Ульянов	(81842) 23184	ул. Воронина, 27А
Серпухов	ЧП Чиков Д.М. (ТЦ «Топаз»)	(27) 354300	142201, 1ая Московская, 44
Смоленск	Гарант	(0812) 683500	214000, ул. Ленина, 22/6
Смоленск	Гарант	(0812) 618800	214000, ул. Фрунзе, 22
Сочи	ТехИнСервис	(8622) 620295	354002, Курортный проспект, 76
Ставрополь	НордСервис	(8652) 393030	355044, прт Кулакова, 24
Старый Оскол	ООО «Техномаркет»	(0725) 441082, 440574	309530, мкрн Рудничный, 24
Сургут	ИП Олейник	(3462) 252563	628405, прт Комсомольский, 44
Сызрань	ООО «Сервисэлектро»	(8464) 980389, 910692	446000, пр. 50 лет Октября, 60 б
Сыктывкар	Атлантсервис	(8212) 310580	167000, ул. Индустриальная, 10
Сыктывкар	ООО ТТЦ «Сыктывкар»	(8212) 442001, 249542	167010, Первомайская, 32
Сыктывкар	СЦ «Бытовая Техника» (ООО ЛигаСервис)	(8212) 432856	167004, ул. Октябрьский проспект, 3
Тамбов	Атлантсервис	(0752) 726346	392000, ул. Московская, 23А
Тамбов	БВС2000	(0752) 751718	392002, ул. Энгельса, 5, мн «Юбилейный»
Тверь	ВесьВеста	(0822) 423389, 428494	170001, ул. Спартака, 50
Тверь	ООО «СтэкоСервис»	(0822) 320023	170002, Чайковского, 100
Тверь	Стэко	(0822) 320023	170002, прт Чайковского, 100



Тольятти	ООО «ВолгаТехника Холдинг»	(8482) 227185, 227241	445022, бр 50 лет Октября, 26
Тольятти	ЭПРО	(8482) 207256, 706512	445051, Приморский бр, 2, оф. 5
Томск	ДС	(3822) 247428, 593345, 597939	634034, ул. Учебная, 26, ООО «ДС»
Томск	ООО «АкадемияСервис»	(3822) 258580, 259808	634021, пр. Академический, 1, блок А, оф. 205
Томск	ООО «ГлавБытСервис»	(3822) 266865	634021, Некрасова, 12
Томск	СБсервис	(3822) 527772	634061, ул. Никитина, 37А
Тула	ООО «АрхимедСервис»	(0872) 361917	300000, Ф. Энгельса, 40
Тула	ЗАО ПКФ «Профит» Сервисный Центр	(0872) 309565, 309464	300034, Вересаева, 1
Тула	ООО фирма «БАВИКС»	(0872) 363180, 311151, 364448 (доб. 217)	300045, Морозова, 1Б
Тула	ПБЮОЛ Кузьмичев Сергей Николаевич	(0872) 325607	300600, Ф. Энгельса, 89
Тюмень	Аверс Сервис	(3452) 391218, 391229	625007, ул. Мельникайте, 131А
Тюмень	ООО «МетизМ»	(3452) 227124, 243202	625035, пр. Геологоразведчиков, 33
Тюмень	ООО «ТЦ Тюмень Импорт Сервис»	(3452) 224596	625026, Мельникайте, 97
УланУдэ	Кондорсервис	(3012) 442344	670034, ул. Гагарина, 15
УланУдэ	ПБЮОЛ Митрофанов С.А.	(3012) 410700	670013, Ключевская, 59
Ульяновск	АСЦ «РИО» (ЧП Мураев)	(8422) 646236	432063, ул. Кузоватовская, 29
Ульяновск	Лидинг	(8422) 209781	432072, прт Ульяновский, 10
Ульяновск	ТСЦ «Вятка» (ЧП Дрязгов)	(8422) 201522	432072, прт Ленинского Комсомола, 41
Уссурийск	Полукс ООО	(42341) 21035, 40039	692519, ул. Советская, 29
Уссурийск	ЧП «Дубовой Виталий Васильевич»	(42341) 37474	692503, Ленина, 134а
Уфа	Центр «Импорт Сервис»	(3472) 281701, 524697	450078, ул. Воровского, 93
Уфа	Планета Люкс	(3472) 234485	450000, ул. Сочинская, 8
Уфа	СервисЦентр Техно	(3472) 229918, 232394	450000, ул. Чернышевского, 88
Ухта	Бытовая техника (ЧП Коновалов)	(82147) 47099	169300, ул. Бушуева, 18
Ухта	ООО «АВВА»	(82147) 63613	169300, Семьяшкина, 8А
Хабаровск	ЗАО «ЕВГО» (СЦ «Парад Электроники»)	(4212) 328320	680000, Тургенева, 74
Хабаровск	СЦ Народная компания	7960841	680007, ул. Волочаевская, 8
Химки	МПФ «ЕВИК»	(095) 5731483	141400, Химки, Маяковского, 2

**Сервис продукции всех марок группы Sandy, оригинальные запасные части,  
расходные материалы, аксессуары**

<b>Город</b>	<b>Сервисный центр</b>	<b>Телефон</b>	<b>Адрес</b>
Чебоксары	Белая Техника (ЧП Мельник)	(8352) 425003, 420900	428018, Московский проспект, 3
Челябинск	ООО ТТЦ «Рембыттехника»	(3512) 492020, 492070, 492424	454008, Производственная, 86
Челябинск	ЗАО ГСЦ «ТАТЬЯНА»	(3512) 722826	454081, Котина, 72
Челябинск	ЗАО Техносервис «Мир техники»	(3512) 424641	454021, Молодогвардейцев, 35Б
Челябинск	ООО «Электрон»	(3512) 410151, 640084	454112, пр. Победы, 302
Чита	СЦ «СлавянскийЭлектроника» ЧП Любин А.В.	(3022) 325522	672010, Ингодинская, 35
Чита	Техномаркет	(3022) 324500	672000, ул. Ленина, 121
ЮжноСахалинск	ЭлектроЛюксСервис (ЧП Петров)	(4242) 724357, 429754	693006, ул. Ленина, 2171
Якутск	БытСервис (ЧП Чураков)	(4112) 439966	677009, ул. Халтурина, 18
Ярославль	ЗАО фирма «ТАУ»	(0852) 796677, 796678, 796679	150049, ул. Свободы, 101
<b>Украина</b>			
Белая Церковь	ООО «АТЛАНТ ПЛЮС»	(04463) 67515	09113, ул. Клиническая, 6
Винница	СПД Ваниев Л.М.	(0432) 464393	21030, прт Юности, 16
Днепродзержинск	СЦ «Росток»	(0569) 535480	51934, пр. Ленина, 66
Днепропетровск	«Техносервис»	(0562) 335638	49051, ул. Философская, 21
Днепропетровск	ДФ СП «Транс Сервис»	(0562) 342391	49027, ул. Коцюбинского, 16
Днепропетровск	ООО «Интерсервис»	(0562) 271570	49051 ул. Калиновая,1
Днепропетровск	СЦ «Бюро проката»	(056) 3702322	49000, ул. Плеханова, 20
Донецк	«ВесыСервис»	(062) 3456190	83052, пр. Ильича, 103
Донецк	«СИТИСЕРВИС»	(0622) 940033	83052, бул. Шахтостроителей, 1/17
Донецк	Фокстрот	(062) 3853755	83000, прт Мира, 13
Житомир	ЧМП «Выбор»	(0412) 418826	10014, ул. Победы, 32
Запорожье	ЗФ ООО «Интерсервис»	(0612) 154801	69006, пр. Металлургов, 12А
Запорожье	ЗФ СП «Транс Сервис»	(0612) 120303	69035, ул. 40летия Сов. Украины, 39Б
ИваноФранковск	ООО «КаскадКарпаты»	(03422) 43262	76000, ул. Галицкая, 22
ИваноФранковск	СЦ «Бриз»	(03422) 22402	76002, ул. Нова, 5 и 19А
Измаил	Экран	(048) 7433968	68600, ул. Котовского, 59
Керчь	СЦ «МЕРКУРИЙ»	(06561) 21373	98302, ул. Пирогова, 1
Керчь	Фокстрот	(06561) 23062	98300, ул. Кирова, 3
Киев	КФ СП «Транс Сервис»	(044) 5685150	01034, ул. Золотоваборотская, 2а, оф. 24
Киев	ООО «Равис»	(044) 5404992	02218, ул. Радужная, 25б
Киев	ООО «ЭЛЕКТРОСЕРВИС»	(044) 4160534	01050, ул. Глубочицкая, 53, 3 эт.
Киев	ООО «ДТС»	(044) 4515896	04212, ул. Тимошенко, 9
Киев	Фокстрот	(044) 4405233	04060, ул. Щусева, 44
Кировоград	КФ ООО «Интерсервис»	(0522) 301653	25030 пр. Правды, 16
Кировоград	СПД Ваниев Л.М.	(0522) 249647	25006, прт Коммунистический, 1/7
Краматорск	«ВесыСервис»	(0626) 444898	84301, ул. Дворцовая, 57
Краматорск	ВалдисСервис	(06264) 56456	84313, ул. Парковая, 15
Кременчуг	«ИНЭККРЕМЕНЬ»	(05366) 31121	39600, ул. Победы, 17/6
Кременчуг	Фокстрот	(0536) 746725	39600, 101 квартал, дом 3
Кривой Рог	Домтехсервис	(0564) 743615	50069 ул. Волгоградская, 4
Кривой Рог	Фокстрот	(0564) 400764	50103, ул. Карла Либкнехта, 1
Луганск	ООО НПП «Корсак»	(0642) 345606	91058, ул. Коцюбинского, 27
Луганск	ЧП «Терещенко»	(0642) 588762	91005, ул. Фрунзе, 136 б
Львов	ЛФ СП «Транс Сервис»	(0322) 975588	79008, ул. Винниченко, 30
Львов	ООО «МаркетЛьвов»	(0322) 337063	79018, ул. Стороженко, 12
Мариуполь	«ВесыСервис»	(0629) 521521	87547, пр. Строителей, 132
Мариуполь	Нейтрон	(0629) 529282	87500, пр. Металлургов, 94
Николаев	НФ ООО «Интерсервис»	(0512) 471519	54017, пр. Ленина, 55
Николаев	ЧП «Осипенко»	(0512) 575235	54003, пр. Ленина, 184
Одесса	ОФ СП «Транс Сервис»	(048) 7771140	65029, ул. Новосельского, 64
Одесса	Фокстрот	(0482) 372192	65029, Александровский прт, 4, кв. 12
Павлоград	«Пинфок»	(05632) 31193	51409, ул. Ленинградская, 3а
Полтава	НПО «Промэлектроника»	(0532) 186691	34022, ул. Пролетарская, 22

Полтава	ПФ ООО «Интерсервис»	(0532) 509889	36014 ул. Октябрьская, 73
Ровно	ЗАО «Бытрадиотехника»	(0362) 235303	33012, ул. Бендеры, 45
Севастополь	СЦ Кауф	(0692) 456072	99011, ул. Большая Морская, 41
Севастополь	ООО «ПанорамаС»	(0692) 231055	99000, ул. Руднева, 33
Северодонецк	ПКП «Сев. радиотехника»	(06452) 43030	93400, ул. Маяковского, 13
Симферополь	Предприятие «НАДИР»	(0652) 510176	95011, ул. Самокиша, 22
Симферополь	ЧП «Гарант»	(0652) 493770	95013, ул. Трубаченко, 7
Сумы	Фокстрот	(0542) 365058	40024, ул. Прокофьева, 19
Сумы	ЧПКФ «Сервисцентр»	(0542) 210679	40030, ул. Героев Сталинграда, 3
Тернополь	ООО «ТернаваСервис»	(0352) 433022	46024, ул. Злуки, 39
Тернополь	Фокстрот	(0352) 433887	46023, ул. С. Петлюры, 4
Феодосия	Фокстрот	(06562) 31284	98100, ул. Базарная, 4
Харьков	Фокстрот	(0572) 588319	61001, ул. Кирова, 38
Харьков	ХФ СП «Транс Сервис»	(0572) 142472	61072, пр. Ленина, 31
Харьков	ЧП Глазунов К.Э.	(057) 7123860	61052, ул. Полтавский Шлях, 30
Херсон	ООО «Радио»	(0552) 226121	73000, ул. Советская, 23
Херсон	ХФ ООО «Интерсервис»	(0552) 420286	73014, ул. Суворова, 4
Хмельницкий	ООО «Тритон ЛТД»	(03822) 60233	28009, ул. Козацкая, 42
Черкассы	ООО «ЕвразияС»	(0472) 663653	18023, ул. Одесская, 8
Черкассы	Фокстрот	(0472) 475811	18002, ул. Шевченко, 241/83
Чернигов	ООО «Лагрос»	(0462) 101493	14005, пр. Мира, 80
Чернигов	Фокстрот	(0462) 175858	14000, ул. Полуботко, 18
Черновцы	Фокстрот	(0372) 554720	58003, ул. Л. Кобылицы, 51/4

**Сервисная сеть постоянно развивается, поэтому в данном списке возможны изменения.**

Den här apparatens delar överensstämmer med:  
EG-DIREKTIV 1935/2004 om material och produkter avsedda  
att komma i kontakt med livsmedel.

## Säkerhet och underhåll

- **WARNING!** Produkten och dess åtkomliga delar blir varma under användning. Var noga med att undvika beröring av värmeelementen.
- Barn under 8 år som befinner sig i närheten av produkten ska alltid hållas under uppsikt.
- Produkten får användas av barn från 8 års ålder och personer med nedsatt fysisk förmåga, känselförmåga eller mental förmåga, eller personer med bristande erfarenhet eller kunskaper, om de hålls under uppsikt eller instrueras i dess användning på ett säkert sätt och förstår riskerna med den.
- Låt inte barn leka med produkten.
- Rengöring och underhåll får inte utföras av barn utan uppsikt. **WARNING!** Fett eller olja som värms utan uppsikt kan vara farligt och orsaka brand.
- Försök **ALDRIG** att släcka en brand med vatten, utan stäng av produkten och täck eldslågorna med exempelvis ett lock eller en brandfilt.
- **WARNING!** Brandrisk– förvara inte föremål på tillagningszonerna.

- **WARNING!** Om ytan spricker ska produkten stängas av för att undvika risk för elektrisk chock.

Använd inte våtdammsugare för rengöring

- Metallföremål som knivar, gafflar, skedar och lock ska inte placeras på hällens yta eftersom de kan bli varma.
- eventuellt spill ska avlägsnas från locket innan det öppnas.  
låt hällens yta svalna innan locket stängs.
- Stäng av spishällen med reglaget efter användning – förlita dig inte till kärldetektorn.
- produkten är inte avsedd att användas med hjälp av en extern timer eller ett separat fjärrkontrollsystem .

Frånkopplingsfunktionen måste byggas in i den fasta ledningsdragningen enligt elföreskrifterna.

- i anvisningarna ska uppges vilken typ av sladd som ska användas, med hänsyn till temperaturen på baksidan av produkten.
- Om strömkabeln skadas måste den ersättas av tillverkaren eller dess serviceombud eller liknande behörig person för att undvika fara.
- **WARNING!** För att undvika fara på grund av oavsiktlig återställning av värmesäkringen får inte produkten strömförsörjas genom en extern kopplingsanordning, exempelvis en timer, eller anslutas till en krets som slås till och från regelbundet av anläggningen.

- Medel för fränkoppling måste byggas in i den fasta elinstallationen i enlighet med ledningsreglerna.
- Instruktionerna anger den typ av kabel som ska användas och tar hänsyn till temperaturen på apparatens bakre yta.
- **VARNING:** använd endast hållskydd som konstruerats av apparatens tillverkare eller som anges som lämpliga av apparatens tillverkare i bruksanvisningen eller hållskydd som ingår i apparaten. En användning av olämpliga skydd kan leda till olyckor.
  - Använd alltid lämpliga köksredskap.
  - Placera alltid pannan i mitten av enheten som du använder under matlagningen.
  - Placera inget på kontrollpanelen.
  - Använd inte ytan som skärbräda.
  - Hällens yta måste svalna innan du stänger locket.
  - **FÖRSIKTIGHET:** var alltid närvarande under matlagningen. En kortvarig matlagning måste kontinuerligt övervakas.

**Bäste Kund,**

vi tackar dig för att du valt induktionshällen CANDY, en produkt som vi är säkra på att du kommer att trivas med i många år.

Läs nogga igenom denna instruktionsbok innan spishällen tas i bruk och förvara den för framtida bruk.

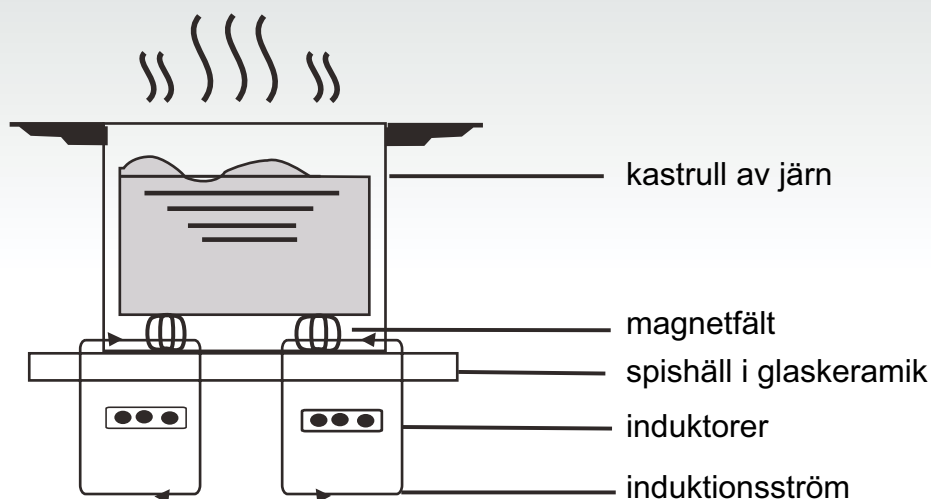
## Introduktion

Induktionshällen är i stånd att tillfredsställa alla de behov som kräver en tillagning med elektromagnetisk uppvärmning, tack vare ett mikrodatorstyrt och multifunktionellt kontrollsystem, ett bra val för moderna familjer.

Denna köksutrustning, som tillverkats av specialmaterial, är otroligt lätt att använda, motståndskraftig och säker.

## Hur den fungerar

Induktionshällen utgörs av en elektrisk slinga, en yta i ferromagnetiskt material och av ett kontrollsystem. Elektrisk ström skapar ett kraftigt elektromagnetiskt fält runt slingan. Detta skapar en rad med vågor som ger upphov till värmen som sedan överförs till kärlet från hällens kokyta.



## Säkerhet

Denna spishäll har skapats för hemmabruk. Eftersom vi hela tiden utvecklar våra produkter förbehåller vi oss rätten att utföra ändringar vid eventuella tekniska rön.

### ● Skydd mot överhettning

En sensor kontrollerar temperaturen inuti hällen. Om temperaturen överskrider säkerhetsgränsen stängs hällen av automatiskt.

### ● Indikation om föremål på hällen

Om man på hällen placerar en kastrull vars diameter är mindre än 80 mm, små föremål (som knivar, gafflar eller nycklar) eller en icke magnetisk kastrull (till exempel i aluminium), utlöses omedelbart en ljudsignal som sedan hörs i cirka 1 minut. Om problemet kvarstår försätts hällen automatiskt i stand-by.

### ● Alarm om resterande värme

När hällen används under en längre tid kan resterande värme kvarstå. Bokstaven "H" på displayen tänds till varning för att man inte skall vidröra hällen.

### ● Säkerhet genom självavstängning

Självavstängningen är ytterligare en säkerhetsfunktion för induktionshällen som aktiveras automatiskt om man glömmer bort att stänga av hällen. Den automatiska avstängningen av spishällen beror på den värmenivå som används, i enlighet med nedanstående tabell:

Värmenivå	Kokzonen stängs av automatiskt efter
1-3	8 timmar
4-6	4 timmar
7-9	2 timmar

När kastrullen, efter avslutad kokning, tas bort värmer inte induktionshällen längre och stängs sedan av efter ljudsignalen som pågår under 1 minut.

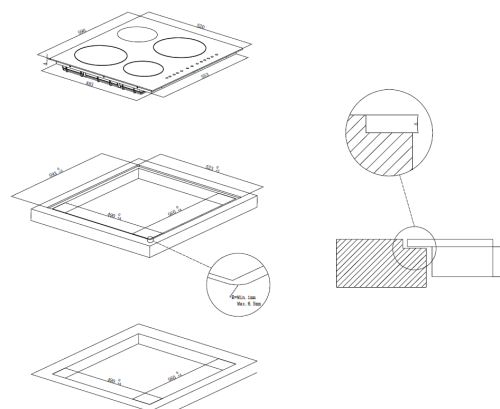
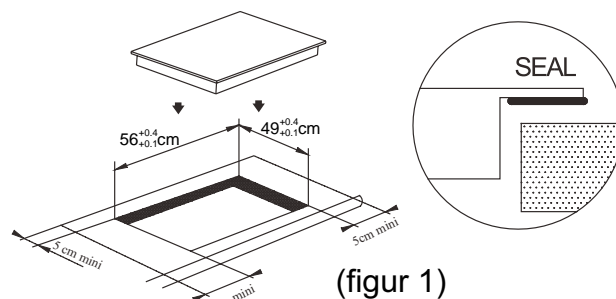
### OBS:

personer som bär pacemaker får endast använda denna köksutrustning under kontroll av läkare.

## Installation

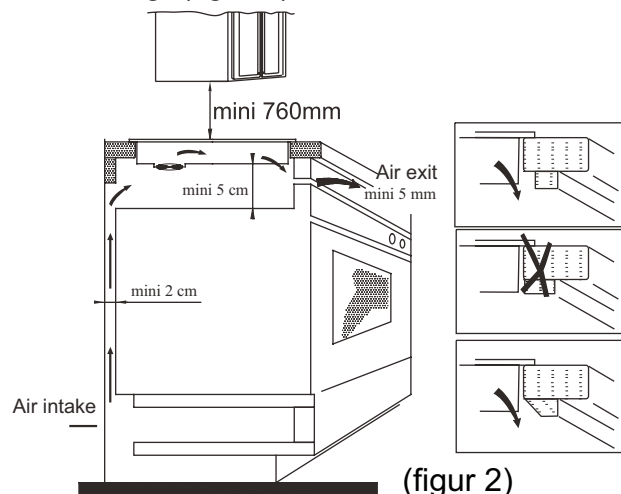
### Installation av spishällen

1. Gör ett hål i möbeln i enlighet med de mått som visas på ritningen; för en korrekt installation skall det finnas ett utrymme på minst 5 cm. runt ytan. Kontrollera att tjockleken på stödet där hällen skall passas in är minst 30 mm. och att det material det är gjort av klarar höga temperaturer, detta för att undvika att de deformeras på grund av värmen som kommer från spishällen (figur 1).



Spolinstallation: Endast möjlig om ugnen inte är installerad under räknaren

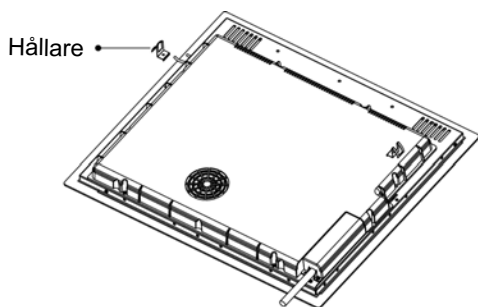
2. Kontrollera alltid att induktionshällen vilar stadigt på stödytan och att den ventileras ordentligt (figur 2).





**OBS:** mellan spishällen och en eventuell ovanliggande möbel skall det finnas ett utrymme på minst 760 mm.

- Efter att man har placerat hällen skall den sättas fast med hjälp av fyra hållare i stödytan (på det sätt som visas på bilden). Reglera sedan varje hållare på basis av stödytans tjocklek.



### Säkerhetsåtgärder

- Induktionshällen skall installeras av kvalificerad installatör. Utför inte installationen själv.
- Induktionshällen får inte monteras på kylskåp, diskmaskiner eller torktumlare.
- Induktionshällen skall installeras på ett sådant sätt att en optimal värmeavyttring kan garanteras.
- Väggen och området under inductionshällen skall vara värmetåliga.
- För att undvika skador skall den tunna filmen som håftar spishällen vid stödytan vara värmetålig.

### 4. Elektriska anslutningar

Anslutningen till elnätet skall göras av kvalificerad personal och i enlighet med gällande normer. Anslutningssätten för hällen visas i figur 3:

Spänning	Elektrisk anslutning				
380-415V 3N~	1 • L1	2 • L2	3 —•— N	4 • N	5 —•— ⏏
	Svart	Brun	Grå och blå	Gul/grön	
220-240V~	1 —•— L	2 • L	3 —•— N	4 • N	5 —•— ⏏
	Svart och	Brun	Grå och blå	Gul/grön	

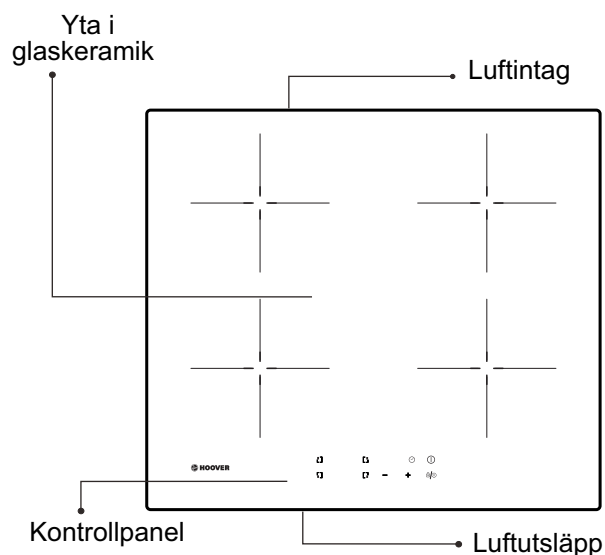
Kontrollera att den elektriska anläggningen är utrustad med ett effektivt jordsystem i enlighet med gällande normer och lagar. Anslutning till jordnätet är obligatorisk. Tillverkningsföretaget avsäger sig allt ansvar för eventuella personskador eller skador på föremål som uppstår på grund av att denna norm inte iakttas.

Om apparaten inte är utrustad med elkontakt skall man sätta på en normaliserad elkontakt på kabeln som är i stånd att klara den belastning som anges på skylten.

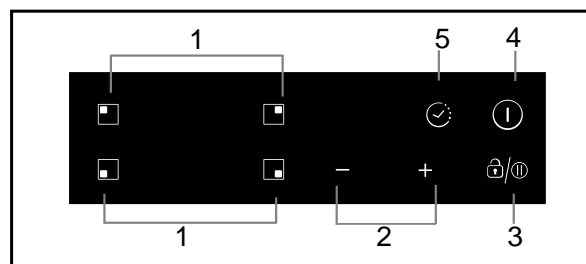
Om man önskar en fast anslutning till elnätet skall man placera en omnipolär strömbrytare med ett kontaktavstånd på minst 3 mm mellan apparaten och nätet.

Om kabeln är trasig eller skadad får den endast bytas ut av auktoriserad personal. Kabeln får inte vara klämd.

### Beskrivning av induktionshällen



### Schema över kontrollpanelen



1. Reglage för val av värmezona
2. Inställningsknapp för effekt/timmer
3. Knapplås/pausreglage
4. Strömbrytare (ON/OFF)
5. Timerreglage

## Instruktioner för användning

### Förberedelser innan användning:

Så fort man slår på spishällen hörs en ljudsignal och alla kontrollampor blinkar under 1 sekund för att indikera att spishällen är i stand-by.

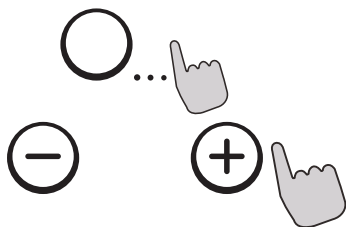
**Att placera kastrullen ovanpå den önskade kokzonen**



### Instruktioner

Efter att man har tryckt på knappen "ON/OFF", visar alla kontrollampor symbolen "-". Välj den kokzon på vilken kastrullen står; kontrollampen för den valda kokzonens värmenivå börjar att blinka. Tryck sedan på knappen "+" eller "-", på displayen visas 5 som standardvärde, och reglera den önskade styrkan med hjälp av knappen "+" eller "-". Om man samtidigt trycker på knappen "+" och på knappen "-" nollställs tidigare inställningar och kokzonen stängs av. Se tabellen på sidan 105 för styrkan på de olika kokzonerna på spishällen.

**OBS:** efter att man tryckt på knappen "ON/OFF" förblir induktionshällen i standby-läge om inget annat görs inom 1 minuter.



### Funktion TIMER

Om man trycker på knappen TIMER, blinkar kontrollampen på displayen och det är möjligt att ställa in tiden. Med hjälp av knappen "+" eller "-" är det möjligt att ställa in tiden från 1 till 99 minuter. Om man trycker på knappen "+" börjar inställningen på 1 och ökar därefter successivt, om man istället trycker på knappen "-" börjar inställningen på 1 och minskar sedan. När den tid som skall ställas in överskrider 99 minuter återställs timern automatiskt på 0. Om man trycker samtidigt på knapparna "+" och "-" återgår displayen till 0.



### Att bekräfta funktionen TIMER

1. Välj styrkan på den önskade kokzonen, tryck sedan på knappen "timer" och ställ in tiden.
2. När timern har blinkat i cirka 5 sekunder betyder detta att den inställda tiden har bekräftats automatiskt.
3. Efter att man har ställt in tiden skall man trycka på knappen "TIMER" för att kontrollera inställningen.
4. När "Timer" bekräftats visas en punkt nere till höger på effektnivå för den valda zonen.

### Att koppla ur funktionen TIMER

Tryck på knappen "timer" i 5 sekunder för att radera den tidigare inställda funktionen. På displayen visas 0.

**Säkerhetsfunktion:** för att garantera barnens säkerhet har induktionshällen utrustats med en låsfunktion.

För att låsa den skall man hålla knappen "låsanordning" (Interlock) nedtryckt: spishällen blockeras, displayen för timern visar symbolen "Lo" och alla andra funktioner är urkopplade.

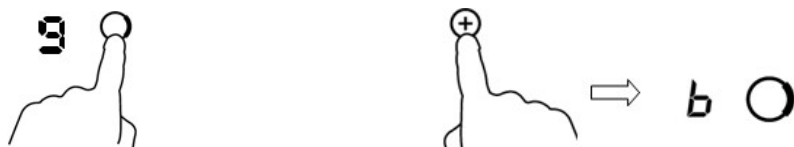
**Avaktivering:** tryck på knappen "låsanordning" (Interlock) i 2 sekunder.



## Boost-läge

Tryck på reglaget för val av värmezonen och tryck sedan på "+". Se till att displayen visar "9".

Tryck igen på knappen "+", zonen indikator visar "b" och effekten når Max



## Avbryt Boost-läget

Tryck på knappen "-" för att avbryta Boost-funktionen. Matlagningszonen kommer sedan att gå tillbaka till grundinställningen.

tryck på "-" och "+" samtidigt. Matlagningszonen stängs av och Boost-funktionen avbryts automatiskt.



- Matlagningszonen går tillbaka till grundinställningen efter fem minuter.



Notera: Det rekommenderas att fläkten sätts på några minuter innan matlagningen och stängs av några minuter efter matlagningen.

## Pausläge

- Du kan pausa värmen istället för att stänga av hällen.
- När Pausläget aktiveras, inaktiveras alla reglage förutom strömbrytaren (ON/OFF).

För att aktivera pausläget	
Tryck på lås-/pausreglaget.	Alla indikatorer visar "11"
För att låsa upp reglage	
Tryck på lås-/pausreglaget.	



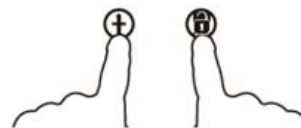
När hällen står i pausläge kommer alla reglage att inaktiveras förutom strömbrytaren (ON/OFF) . Du kan alltid stänga av induktionshällen med strömbrytaren (ON/OFF)  i nödfall..

## Effekthanteringsfunktion

- En maximal strömförbrukningsnivå kan ställas in för induktionshällen genom att välja olika effektområden.
- Induktionshällar kan begränsas automatiskt för att fungera på låg effektnivå för att undvika risk för överbelastning.

### För att aktivera effekthanteringsfunktionen

Sätt på hällen och tryck sedan samtidigt på "+" (timer) och knapplåset.



Timerns indikator visar "P5" vilket betyder effektnivå 5. Standardläget är på 7,0 Kw/7,1 Kw.

### För att välja till en annan nivå

Tryck på +/- från Timer. Det finns fem effektnivåer från "P1" till "P5". Timer-indikatorn visar en av dem.

"P1" : maximal effekt är 2,5 Kw.

"P2" : maximal effekt är 3,5 Kw.

Timerns indikator visar "P5" vilket betyder effektnivå 5. Standardläget är på 7,0 Kw/7,1 Kw.

"P3" : maximal effekt är 4,5 Kw.

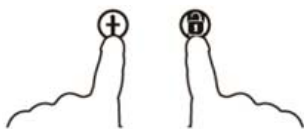
"P4" : maximal effekt är 5,5 Kw.

"P5" : maximal effekt är 7,0 Kw/ 7,1 Kw.



### Bekräfta och lämna effekthanteringsfunktionen

Tryck samtidigt på + (timer) och knapplåset för att bekräfta.



Hällen stängs nu av.

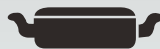
## Val av kastruller för matlagning



stekpanna av järn för stekning



kastrull av rostfritt stål



eldfast form av järn



stekpanna av järn



kokkär i rostfritt lackat stål



lackad kastrull



järntallrik

1. Det finns ett flertal redskap som lämpar sig för kokning på elektrisk spishäll. Denna spishäll är i stånd att identifiera dem och testa dem med hjälp av en av följande metoder:  
 placera kastrullen på en kokzon. Om det på indikatorn för denna kokzon visas en värmenivå betyder detta att kastrullen är lämplig; om i stället symbolen "U" visas betyder detta att kastrullen inte är lämpad för bruk på induktionshäll.
2. Sätt en magnet på kastrullen: om magneten dras till kastrullen betyder detta att kastrullen är lämplig för bruk på elektrisk häll.

**OBS:** Kastrullens botten skall innehålla material som möjliggör magnetisk ledning. Kastrullen skall ha en platt botten med en diameter som överskrider 14 cm.

## Rengöring och underhåll

Ytan på spishällen kan rengöras på följande sätt:

Typ av smuts	Rengör på följande sätt	Material till rengöringen
lätt smuts	med varmt vatten; torka torrt	svamp
mycket smuts	med varmt vatten och torka av med en speciell svamp för glaskeramik	speciell svamp för glaskeramik
beläggningar	häll vitvinsvinäger på beläggningen och rengör med en mjuk trasa eller använd ett speciellt rengöringsmedel	speciellt häftpapper för glaskeramik
Socket, plast eller smält aluminium	För att avlägsna resterna använd en skrapa som lämpar sig för glaskeramik (för att skydda glaset är det bättre att använda en produkt med silikon)	speciellt häftpapper för glaskeramik

**OBS:** koppla ur köksutrustningen från strömtillförseln innan den rengörs.

## Felindikationer och kontroll

Om ett fel uppstår aktiverar induktionshällen automatiskt en skyddsfunktion och följande koder visas på displayen:

Problem	Möjlig orsak	Lösning
F0/F1/F2	fel på fläkten	kontakta leverantören
F3-F8	fel på temperatursensorn	kontakta leverantören
E1/E2	felaktig spänning	kontrollera strömtillförseln Efter denna kontroll slå på apparaten igen
E3/E4	felaktig temperatur	kontrollera kastrullen
E5/E6	otillräcklig värmespridning	slå på apparaten igen efter att den svalnat

Detta är en lista över de vanligaste felen.

Montera inte ned induktionshällen på egen hand, detta för att undvika risker eller att den skadas ytterligare.

## TEKNISK KUNDTJÄNST

Innan man kontaktar den tekniska kundtjänsten

Om utrustningen inte fungerar som den ska rekommenderar vi att du kontrollerar följande:

- att kontakten är ordentligt isatt i eluttaget.
- läs felsökningstabellen på sidan 11.

Om apparaten, efter dessa kontroller, fortfarande inte fungerar stäng av den utan att montera ned den och kontakta den tekniska kundtjänsten.

## Speciell deklARATION

---

Allt innehåll i denna instruktionsbok har noga kontrollerats. Tillverkaren avsäger sig emellertid allt ansvar för eventuella fel eller utebliven text i den tryckta versionen. Eventuella ändringar i denna instruktionsmanual kan göras utan att meddelandeplikt föreligger. Bilden gäller för den aktuella produkten.

---



**VIKTIGT:** avyttra inte denna produkt som hushållsavfall. Den skall avyttras separat.

Denna köksutrustning är tillverkad i enlighet med EU-direktiv 2012/19/EG beträffande avyttring av elektrisk och elektronisk utrustning.

Vetskapen om att denna produkt har utformats i enlighet med gällande direktiv är behjälplig vad det gäller att förebygga eventuella hälso- och miljöskador som en annan typ av avyttring kan leda till.

Denna symbol indikerar att produkten inte kan avyttras som vanligt hushållsavfall, men på stationer för återanvändning av elektriskt och elektroniskt material.

För ytterligare information om hantering, avyttring och återanvändning av denna produkt, kontakta den lokala uppsamlingsplatsen eller den affär där produkten har köpts.

Door het plaatsen van de (C E) markering op dit product, verklaren wij, op onze eigen verantwoordelijkheid, te voldoen aan alle Europese veiligheid-, gezondheid- en milieu eisen vastgelegd in de wetgeving van het product.” Indien van toepassing zijn de onderdelen van dit apparaat in overeenstemming met:  
VERORDENING (EG) Nr. 1935/2004 inzake materialen en voorwerpen bestemd om met levensmiddelen in aanraking te komen.

## Veiligheid en onderhoud

- **WAARSCHUWING:** Het apparaat en de bereikbare delen worden heet tijdens het gebruik. Zorg ervoor dat u de warmingselementen niet aanraakt.
- Kinderen jonger dan 8 jaar niet bij het apparaat laten mits onder continue toezicht.
- Dit apparaat kan op een veilige manier worden gebruikt door kinderen van 8 jaar en ouder en personen met verminderde lichamelijke, zintuiglijke of geestelijke vermogens of gebrek aan ervaring en kennis als zij onder toezicht staan of worden geïnstrueerd over het gebruik van het apparaat.
- Kinderen niet met het apparaat laten spelen.
- Schoonmaak en onderhoud niet door kinderen laten doen zonder toezicht.
- **WAARSCHUWING:** Onbeheerd koken op een kookplaat met olie en vet kan gevaarlijk zijn en kunnen brand als gevolg hebben.
- Probeer **NOOIT** een vuur met water te doven, maar zet het apparaat uit en dek de vlam af met een deksel of blusdeken.  
**WAARSCHUWING:** Gevaar voor brand; bewaar geen items op de kookplaat.



- **WAARSCHUWING:** Als de kookplaat gebarsten is, zet de kookplaat uit om een mogelijke elektrische schokte voorkomen.
- Gebruik geen stoomreiniger.
- Plaats geen metalen objecten zoals messen, vorken, lepels en deksels op het kookoppervlak, deze kunnen heet worden.
- gemorst vuil moet voor het openen van de deksel worden verwijderd.
- Het kookoppervlak moet afgekoeld zijn voordat u de deksel sluit.
- Zet na gebruik de kookplaat uit met de knop en vertrouw niet op de pandetector.
- Het apparaat is niet bedoeld om te worden bediend door middel van een externe timer of een afstandsbediening.
- De middelen voor ontkoppeling moeten zijn opgenomen in de vaste bedrading in overeenstemming met de bedradingsregels.
- de instructie vermeldt het type van de kabel dat moet worden gebruikt, rekening houdend met de temperatuur van de achterkant van het apparaat.
- Als het snoer beschadigd is, moet het worden vervangen door de fabrikant, de dealer of vergelijkbare bekwame personen om een brand te voorkomen.
- **LET OP:** Om een gevaar als gevolg van onbedoeld resetten van de thermische beveiliging te voorkomen, moet dit apparaat niet worden gevoed via een externe schakelaar, zoals een timer, of aangesloten worden op een circuit dat regelmatig wordt in- en uitgeschakeld.

- De manier van uitschakelen moet in de vaste bedrading zijn opgenomen in overeenstemming met de bedradingsvoorschriften.
- In de instructies zijn het type netsnoer vermeld, waarbij rekening is gehouden met de temperatuur van het achterste oppervlak van het apparaat.
- **WAARSCHUWING:** Gebruik alleen kinderbeveiligingsrekjes voor de kookplaat die ontworpen zijn door de fabrikant van het kooktoestel, of waarvan de fabrikant van het apparaat in de gebruiksaanwijzing heeft aangegeven dat ze geschikt zijn, of de kinderbeveiligingsrekjes die bijgeleverd zijn bij het apparaat. Het gebruik van ongeschikte kinderbeveiligingsrekjes kan ongelukken veroorzaken.
  - Gebruik altijd geschikte pannen.
  - Plaats de pan altijd in het midden van de zone waarop u kookt.
  - Leg niets op het bedieningspaneel.
  - Gebruik de kookplaat niet als snijplank.
  - Laat de kookplaat afkoelen voordat u het deksel dichtdoet.
  - **LET OP:** blijf bij de kookplaat als u aan het koken bent. Ook bij een korte bereiding moet u de pannen continu in de gaten houden.

Geachte Klant,

wij willen u hartelijk bedanken voor uw keuze van de inductiekookplaat van Candy. U zult ongetwijfeld vele jaren plezier hebben van dit product.

Lees deze handleiding aandachtig door voordat u het product in gebruik neemt en bewaar hem goed, zodat u hem in de toekomst indien nodig altijd kunt raadplegen.

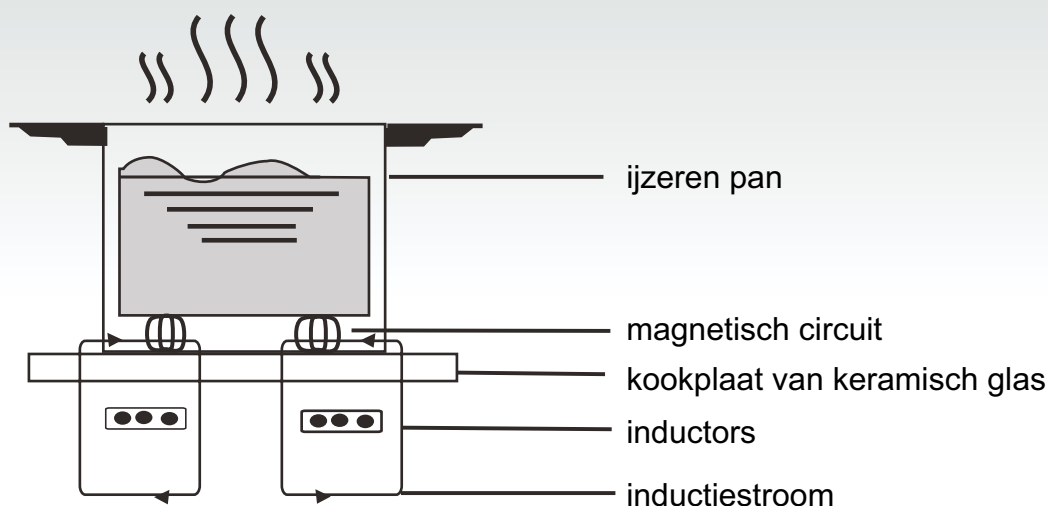
## Inleiding

De inductiekookplaat beantwoordt aan de verschillende wensen op het gebied van elektromagnetische verwarming, dankzij een multifunctioneel en gemicrocomputeriseerd bedieningssysteem: de ideale keuze voor het moderne gezin.

Dit met speciale materialen uitgevoerde apparaat is uiterst eenvoudig in het gebruik, stevig en veilig.

## Hoe werkt deze plaat

Deze inductiekookplaat bestaat uit een elektrisch verwarmingsspiraal, een kookplaat in ferromagnetisch materiaal en een bedieningsinrichting. De elektrische stroom genereert een krachtig magneetveld om de spiraal. Hierdoor ontstaat er een reeks wervels, die de hitte genereren. De hitte wordt vervolgens vanaf het oppervlak van de kookplaat de pan binnendringt.



## Veiligheid

Deze kookplaat is ontworpen voor huishoudelijk gebruik.

Gericht op een voortdurende verbetering van onze producten, behouden we ons het recht voor wijzigingen aan te brengen naar aanleiding van eventuele nieuwe technologische ontwikkelingen.

### ● Beveiliging tegen oververhitting

Door een sensor wordt de temperatuur binnenin de kookplaat gecontroleerd. Zodra de temperatuur het veiligheidsniveau overschrijdt, schakelt de kookplaat automatisch uit.

### ● Signalering van voorwerpen op de kookplaat

Wanneer men een pan met een diameter kleiner dan 80 mm, kleine voorwerpen (bijvoorbeeld messen, vorken, sleutels) of een pan met een niet-magnetische bodem (bijvoorbeeld van aluminium) op de kookplaat zet, wordt er automatisch een geluidssignaal ingeschakeld, dat ongeveer een minuut aanhoudt. Indien het probleem niet wordt opgelost, schakelt de kookplaat automatisch over op de stand-by status.

### ● Alarmsignaal restwarmte

Wanneer de kookplaat langere tijd achtereen in gebruik is, kan er restwarmte aanwezig zijn. Met de letter "H" op de display wordt gewaarschuwd dat de plaat niet mag worden aangeraakt.

### ● Beveiliging door automatische uitschakeling

De automatische uitschakelfunctie is nog een veiligheidsfunctie van uw inductiekookplaat: deze functie treedt automatisch in werking wanneer u vergeet de kookplaat uit te schakelen. De tijd van de automatische uitschakeling van de kookplaat hangt af van het eerder gekozen vermogensniveau, zoals uit de onderstaande tabel blijkt:

Vermogensniveau	De kookzone schakelt automatisch uit
1-3	8 uur
4-6	4 uur
7-9	2 uur

Wanneer de pan na het koken van de inductiekookplaat wordt gehaald, blijft deze niet meer warm en schakelt na het één minuut durende geluidssignaal uit.

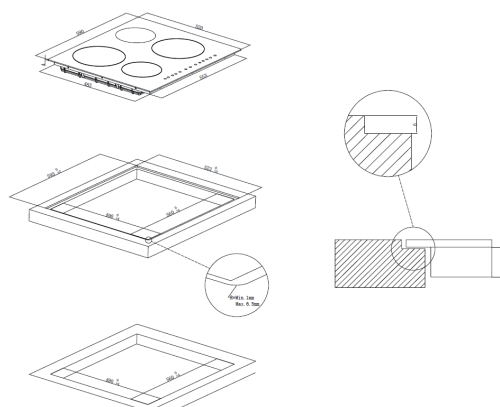
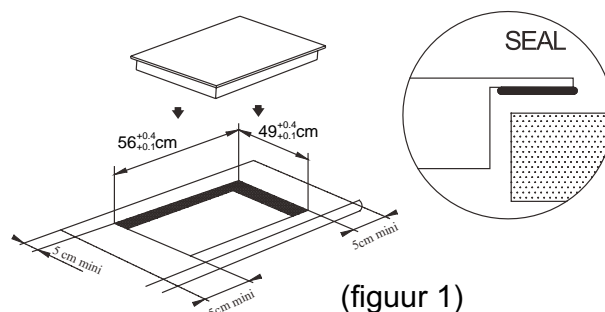
### Nota bene:

personen die een pacemaker dragen mogen dit huishoudapparaat uitsluitend gebruiken onder begeleiding van hun arts.

## Installatie

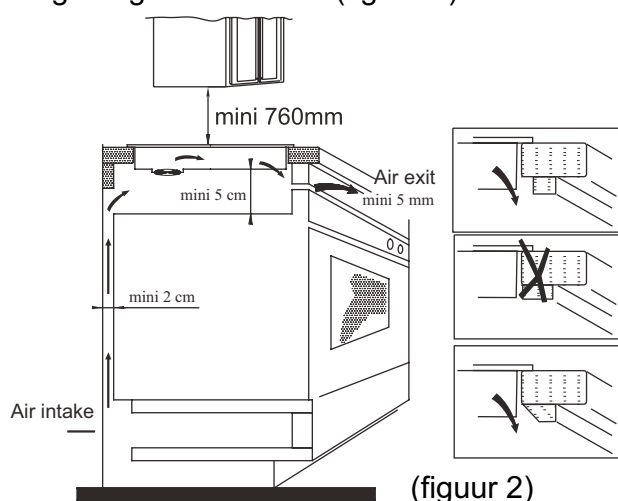
### Installatieprocedure

1. Boor een gat in het bovenblad van het meubel aan de hand van de maten die in de tekening staan. Voor een correcte installatie moet er rondom de kookplaat een ruimte van minimaal 5 cm overblijven. Verzekert u ervan dat het steunvlak, waarin de kookplaat wordt geplaatst, ten minste 30 mm dik is en dat het materiaal waarvan de tafel gemaakt is tegen hoge temperaturen bestand is, om te vermijden dat deze vervormd raakt door de hitte die van de kookplaat komt (figuur 1).



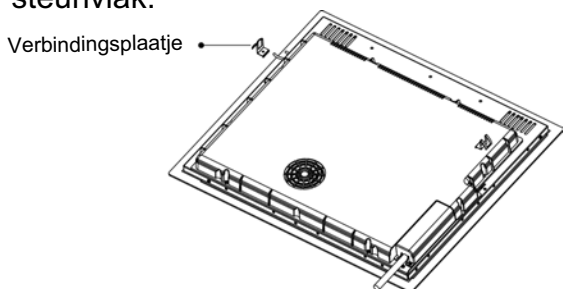
Installatie doorspoelen: alleen mogelijk als de oven niet onder de toonbank is geïnstalleerd

2. Verzekert u er altijd van dat de inductiekookplaat stevig op zijn plaats zit en goed geventileerd is (figuur 2).



**Opmerking:** tussen de kookplaat en een eventueel element boven de plaat moet een ruimte van ten minste 760 mm worden voorzien.

3. Nadat u de kookplaat op zijn plaats hebt gebracht, zet u deze met vier verbindingsplaatjes vast op het steunoppervlak (zoals aangegeven in de figuur). Regel vervolgens elke verbinding afzonderlijk, naar gelang de dikte van het steunvlak.



### Voorzorgsmaatregelen

- 1) De inductiekookplaat mag uitsluitend door een vakman worden geïnstalleerd. Voer de installatie nooit alleen uit.
- 2) De inductiekookplaat mag beslist niet op een koelkast, vaatwasmachine of wasmachine gemonteerd worden.
- 3) De inductiekookplaat moet zodanig geïnstalleerd worden, dat een optimale verwerking van de hitte gegarandeerd is.
- 4) De wand en de zone onder de kookplaat moeten hittebestendig zijn.
- 5) Ter voorkoming van schade moet het dunne applicatielaagje waarmee de kookplaat op het steunvlak is vastgeplakt hittebestendig zijn.

### 4. Elektrische aansluitingen

De elektrische aansluiting moet door bevoegd personeel en volgens de geldende wettelijke voorschriften uitgevoerd worden. In figuur 3 wordt aangegeven hoe de kookplaat moet worden aangesloten:

Spanning	Kabelaansluiting										
380-415V 3N~	<table border="0"> <tr> <td>1 • L1</td> <td>2 • L2</td> <td>3 —</td> <td>4 • N</td> <td>5 ⏏</td> </tr> <tr> <td>Zwart</td> <td>Bruin</td> <td></td> <td>Blauw</td> <td>Geel/groen</td> </tr> </table>	1 • L1	2 • L2	3 —	4 • N	5 ⏏	Zwart	Bruin		Blauw	Geel/groen
1 • L1	2 • L2	3 —	4 • N	5 ⏏							
Zwart	Bruin		Blauw	Geel/groen							
220-240V~	<table border="0"> <tr> <td>1 •</td> <td>2 • L</td> <td>3 —</td> <td>4 • N</td> <td>5 ⏏</td> </tr> <tr> <td>Zwart en Bruin</td> <td></td> <td>Blauw</td> <td>Geel/groen</td> <td></td> </tr> </table>	1 •	2 • L	3 —	4 • N	5 ⏏	Zwart en Bruin		Blauw	Geel/groen	
1 •	2 • L	3 —	4 • N	5 ⏏							
Zwart en Bruin		Blauw	Geel/groen								

Controleer of de elektrische installatie van een goede aardverbinding is voorzien, volgens de wettelijke voorschriften. Aarding is verplicht.

De Fabrikant wijst elke aansprakelijkheid af voor eventuele schade aan personen of zaken, als gevolg van het niet inachtnemen van deze norm.

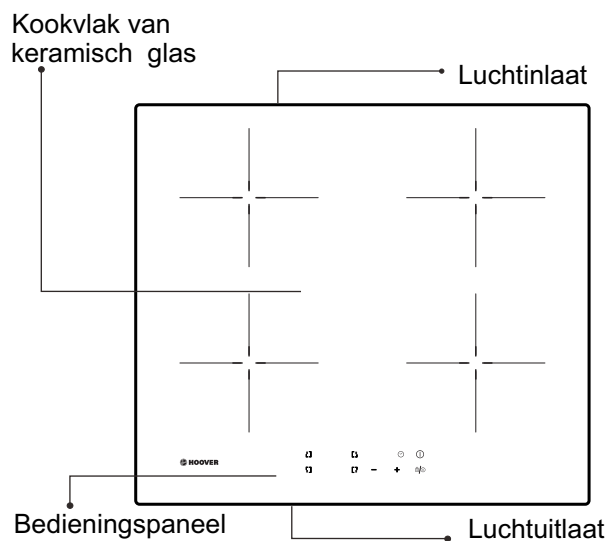
Indien het apparaat niet van een stekker is voorzien, moet er een genormaliseerde stekker op het snoer worden aangebracht, bestand tegen de belasting die op het gegevensplaatje vermeld staat.

Indien men een vaste aansluiting op het lichtnet tot stand wenst te brengen, moet er tussen het apparaat en het lichtnet een meerpolige stroomonderbreker worden geplaatst met een contactopening van minimaal 3.

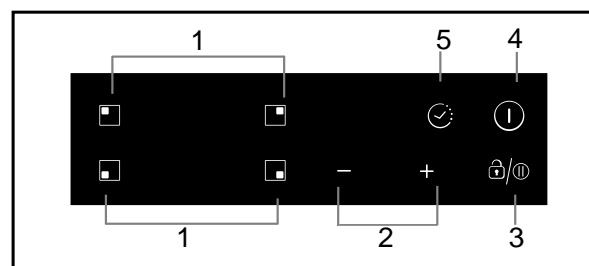
Als het snoer beschadigd is, mag dit uitsluitend door een vakman vervangen worden.

Het snoer mag niet verbogen zijn of platgedrukt.

### Beschrijving van de inductiekookplaat



### Schema bedieningspaneel



1. Bedieningstoetsen selectie kookzone
2. Bedieningstoets regeling Vermogen / Timer
3. Bedieningstoets Toetsenvergrendeling/Pauze
4. Bedieningstoets AAN/UIT
5. Bedieningstoets Timer

## Aanwijzingen voor het gebruik

### Vorbereidingen voor het gebruik:

Direct nadat de kookplaat aangeschakeld is, hoort u een geluidssignaal en alle leds knipperen één seconde waarmee wordt aangegeven dat de kookplaat in de stand-by status is.

Zet de pan op de door u gekozen kookzone.

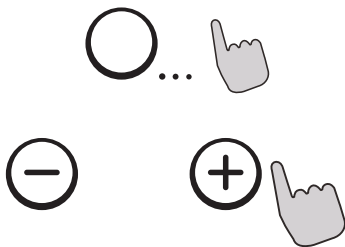


### Werkwijze

Nadat op de "ON/OFF" toets gedrukt is, geven alle leds het teken "-" aan. Selecteer de kookzone waarop de pan staat; de led van het vermogensniveau van de gekozen zone gaat knipperen. Druk op de toetsen "+" of "-", op de display wordt 5 als standaardwaarde aangegeven, regel met de toetsen "+" of "-" het gewenste vermogensniveau. Door gelijktijdig op de toetsen "+" en "-" te drukken, worden de eerdere instellingen weer op nul gezet en de kookzone wordt uitgeschakeld.

Zie de tabel op pag. 113 voor het specifieke vermogen van elke kookzone van de plaat.

**Opmerking:** nadat op de toets "ON/OFF" is gedrukt, blijft de inductiekookplaat in de stand-by status, als er binnen 1 minuten geen andere handelingen worden uitgevoerd.



### TIMER functie

Door op de TIMER toets te drukken, gaat de led knipperen op de display en kan de tijd worden ingesteld. Met de toetsen "+" of "-" kan de tijd ingesteld worden, tussen 1 en 99 minuten. Door op de toets "+" te drukken, stijgt de instelling 1 minuut per keer; door op de toets "-" te drukken daalt de instelling 1 minuut per keer. Zodra de 99 minuten zijn overschreden, schakelt de timer automatisch terug naar 0. Door gelijktijdig op de toetsen

"+" en "-" te drukken, keert de display terug naar 0.



### Bevestiging TIMER functie

1. Selecteer het vermogen van de kookzone van uw voorkeur, druk op de toets "timer" en stel de tijd in.
2. Nadat de timer circa 5 seconden heeft geknipperd, is de tijdsinstelling automatisch bevestigd.
3. Druk, nadat de tijd ingesteld is, op "TIMER" om de gewenste instelling te controleren.
4. Zodra de "timer" is bevestigd, verschijnt er een stip rechtsonder bij het vermogensniveau van de geselecteerde zone.

### Annuleren van de TIMER functie

Houd de toets "timer" 5 seconden lang ingedrukt om de eerder ingestelde functie te wissen. Op de display verschijnt een 0.

### Kinderslot

Voor de veiligheid van uw kinderen is deze kookplaat voorzien van een slot

Inschakelen: druk op de "slot" toets, de kookplaat gaat nu op de "slot" stand de timer geeft "Lo" de rest van de toetsen kan nu niet gebruikt worden met uitzondering van ON/FF toets

### slot opheffen

druk de "Slot" toets 2 seconden in de kookplaat werkt nu weer op d normale manier.



## Boost-functie

Raak de bedieningstoets voor de kookzone aan en vervolgens “+”. Controleer of “9” op het display verschijnt.

Als u nogmaals de “+” toets aanraakt, toont de zone-indicator “b” en bereikt het vermogen de maximale stand



## De Boost-functie annuleren

Raak de “-” toets aan om de Boost-functie te annuleren; de kookzone keert dan terug naar zijn oorspronkelijke instelling.

Door “-” en “+” tegelijk aan te raken, wordt de kookzone uitgeschakeld en wordt de Boost-functie automatisch geannuleerd.



- De kookzone keert na 5 minuten terug naar de oorspronkelijke instelling

Opmerking: Geadviseerd wordt om de afzuigkap een paar minuten voor het koken in te schakelen en een paar minuten na te koken uit te schakelen.

## Pauze-functie

- U kunt het koken pauzeren in plaats van de kookplaat uit te schakelen.
- Wanneer u de Pauze-functie inschakelt, zijn alle bedieningstoetsen uitgeschakeld, behalve de toets AAN/UIT.

De pauze-functie inschakelen	
Raak de bedieningstoets Toetsenvergrendeling/Pauze aan.	Alle indicators geven “11” aan
De bedieningstoetsen ontgrendelen	
Raak de bedieningstoets Toetsenvergrendeling/Pauze aan.	



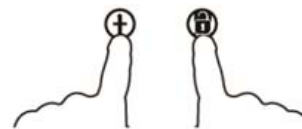
Wanneer de kookplaat in de pauze-functie staat, zijn alle bedieningstoetsen uitgeschakeld, behalve AAN/UIT ⓘ; u kunt de inductiekookplaat in een noodsituatie altijd uitschakelen met de AAN/UIT ⓘ toets.

## Vermogensregelingsfunctie

- Het is mogelijk om een maximaal vermogensopnameniveau in te stellen voor de inductiekookplaat, door uit verschillende vermogensniveaus te kiezen.
- Inductiekookplaten zijn in staat om zichzelf automatisch te beperken om op een laag vermogen te werken, om het risico van overbelasting te voorkomen.

### De Vermogensregelingsfunctie inschakelen

Schakel de kookplaat in en druk tegelijkertijd op de “+” (timer) en toetsenvergrendeling.



De timer-indicator geeft “ P5” aan, wat staat voor vermogensniveau 5. De standaardmodus is 7,0 kW/7,1 kW.

### Overschakelen naar een ander niveau

Druk op +/- bij de timertoets. Er zijn 5 vermogensniveaus, van “P1” tot “P5”. De timer-indicator geeft één van deze niveaus aan.

“P1” : het maximale vermogen is 2,5 kW.

“P2” : het maximale vermogen is 3,5 kW.

De timer-indicator geeft “ P5” aan, wat staat voor vermogensniveau 5. De standaardmodus is 7,0 kW/7,1 kW.

“P3” : het maximale vermogen is 4,5 kW.

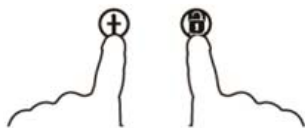
“P4” : het maximale vermogen is 5,5 kW.

“P5” : het maximale vermogen is 7,0 kW/7,1 kW.



### Bevestigen en afsluiten van de Vermogensregelingsfunctie

Druk tegelijkertijd op + (timer) en de toetsenvergrendeling om te bevestigen.



De kookplaat wordt nu uitgeschakeld.



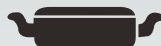
## Keuze van de juiste pannen



ijzeren frituur-steelpan



roestvrijstalen pan



ijzeren braadpan



ijzeren braadpan



geëmailleerde roestvrijstalen ketel



geëmailleerde pan



platte ijzeren braadpan

1. Er bestaan veel verschillende middelen die geschikt zijn voor gebruik op een inductiekookplaat. Deze kookplaat is in staat om ze te herkennen en te testen op één van de volgende manieren:  
 plaats de pan op een kookzone. Als er op de indicator van deze kookzone een vermogensniveau verschijnt, is de pan geschikt; verschijnt daarentegen het teken "U", dan is de pan niet geschikt voor inductiekoken.
2. Plaats een magneet op de pan: als de magneet door de pan wordt aangetrokken, dan is de pan geschikt voor inductiekoken.

**De pan:** de bodem moet magnetiseerbare materialen bevatten,

De vorm van de pan: de pan moet een diameter van meer dan 14 cm hebben.

## Reiniging en onderhoud

Het oppervlak van de kookplaat kan als volgt gereinigd worden:

Soort vuil	Hoe reinigt u de kookplaat	Wat gebruikt u
niet zo vuil	met warm water; daarna afdrogen	spons
zeer vuil	met warm water en drogen met een schuursponsje speciaal voor keramisch glas	speciale spons voor keramisch glas
aangebakken vuil	witte azijn op het vuil gieten en met een zachte doek reinigen	zelfklevende folie voor keramisch glas
gesmolten suiker, plastic of aluminium	Gebruik voor het verwijderen van vuilresten een schrapertje special geschikt voor keramisch glas (ter bescherming van het glas kunt u beter een product op siliconenbasis gebruiken)	zelfklevende folie voor keramisch glas

**Opmerking:** Haal de stekker van het apparaat uit het stopcontact voordat u het reinigt.

## Meldingen van storingen en controle

Bij storingen schakelt de kookplaat automatisch een veiligheidsfunctie in en op de display verschijnen de volgende codes:

Probleem	Mogelijke oorzaken	oplossing
F0/F1/F2	ventilator defect	contact opnemen met de leverancier
F3-F8	temperatuursensor defect	contact opnemen met de leverancier
E1/E2	spanning is niet normaal	controleren of er elektrische stroom aanwezig is Na deze controle het apparaat weer aanzetten
E3/E4	temperatuur is niet goed	pan controleren
E5/E6	onvoldoende warmtestraling	het apparaat weer aanzetten zodra het afgekoeld is

In deze lijst staan de meest voorkomende storingen.

Demonteer de inductiekookplaat niet in uw zonder hulp, om risico's en grotere schade te voorkomen.

## KLANTENSERVICE

### Voordat u contact opneemt met de Technische Assistentie:

Indien het apparaat niet werkt adviseren wij u om:

- te controleren of de stekker goed in het stopcontact zit;
- de bovenstaande tabel met storingsmeldingen te controleren.

In het geval de oorzaak van het probleem niet kan worden achterhaald:

het apparaat uitschakelen, beslist niet demonteren en de Technische Assistentie bellen.

## Bijzondere verklaring

---

Alles wat in deze gebruiksaanwijzing staat is nauwkeurig gecontroleerd. De fabrikant stelt zich echter niet aansprakelijk voor fouten of weglatingen in de gedrukte versie.

Bij een eventuele revisie van de gebruiksaanwijzing kunnen bovendien zonder waarschuwing vooraf technische wijzigingen ingevoerd worden. De afbeelding van het product heeft betrekking op het huidige product.

---



LET OP: dit product mag niet bij het gewone huisvuil afgedankt worden. Het dient apart te worden geëlimineerd.

Voor gedetailleerdere informatie over de behandeling, afdanking en recycling van dit product dient u contact op te nemen met de plaatselijke afvalverwerking, of u moet zich wenden tot de winkel waar dit artikel is gekocht.

Dit huishoudapparaat is vervaardigd volgens de Europese richtlijn 2012/19/EG betreffende afgedankte elektrische en elektronische apparatuur.

Door de wettelijke richtlijnen met betrekking tot het afdanken van dit apparaat in acht te nemen, helpt u eventuele schade voor het milieu en onze gezondheid te voorkomen door verkeerde behandeling bij het afdanken van het product.

Met dit symbool wordt aangegeven dat het product niet als gewoon huisafval mag worden beschouwd maar door het plaatselijke grofvuilverzamelpunt van elektrisch en elektronisch afval verwerkt moet worden.

Conforme aplicável, as peças deste aparelho estão em conformidade com:

A REGULAÇÃO (CE) N.º 1935/2004 sobre materiais e artigos destinados a entrar em contacto com os alimentos.

## **Avisos de segurança e manutenção**

- AVISO: Durante a sua utilização, tanto o aparelho, como os componentes acessíveis do mesmo ficam muito quentes. Evite sempre tocar nos elementos de aquecimento.
- Mantenha as crianças de com menos de 8 anos afastadas do aparelho, excepto se estiverem a ser supervisionadas por um adulto.
- Este electrodoméstico pode ser utilizado por crianças com oito anos ou mais e por pessoas com capacidades físicas, sensoriais ou mentais diminuídas, ou que não disponham da experiência e dos conhecimentos necessários, desde que lhes tenham sido dadas instruções sobre a utilização do aparelho por uma pessoa responsável pela sua segurança, ou que o utilizem sob sua supervisão.
- Nunca deixe as crianças brincarem com este aparelho.
- Crianças sem supervisão não devem nem limpar, nem manter este aparelho.

- AVISO: Nunca deixe a placa sem vigilância sempre que a utilizar para confeccionar alimentos com gorduras, caso contrário corre o risco de incêndio.
- NUNCA utilize água para extinguir um incêndio; desligue o aparelho e, em seguida, abafe a chama com uma tampa ou uma manta anti - fogo.
- AVISO: Perigo de incêndio: nunca utilize as superfícies de cozedura para arrumar objectos.
- AVISO: Se a superfície da placa estiver estalada, desligue o aparelho para evitar a possibilidade de choque eléctrico.
- Nunca utilize um sistema de limpeza a vapor para limpar este aparelho.
- Nunca coloque objectos metálicos como, por exemplo, facas, garfos, colheres ou tampas, sobre a superfície da placa, pois podem aquecer.
- remova sempre eventuais líquidos derramados da tampa antes de a abrir.
- espere sempre que a placa arrefeça antes de baixar a tampa.
- Depois da utilização, desligue a zona de cozedura com o respectivo comando, não se limitando a fiar - se no detector da presença de recipientes.
- este aparelho nunca pode ser operado com um temporizador externo nem com qualquer outro sistema de comando à distância.

- O sistema de desligamento tem de estar integrado na instalação fixa, de acordo com as regras aplicáveis à instalação e ligação eléctrica.
- as instruções têm de indicar o tipo de cabo a ser utilizado, tendo em consideração a temperatura registada na superfície traseira do aparelho.
- Se o cabo de alimentação de energia estiver danificado, e para evitar perigos, tem o mesmo de ser substituído pelo fabricante, por um centro de assistência técnica autorizado do mesmo ou por um técnico devidamente qualificado.
- CUIDADO: Com vista a evitar perigos resultantes da reposição accidental do disjuntor térmico, este aparelho não pode ser alimentado a partir de um comutador externo como, por exemplo, um temporizador, nem pode ser ligado a um circuito que seja regularmente ligado e desligado pela empresa abastecedora de electricidade.

- Os meios para a ligação devem ser incorporados na cablagem fixa de acordo com as regras sobre cablagens.
- As instruções indicam o tipo de cabo a utilizar, tendo em conta a temperatura da superfície traseira do aparelho.
- **AVISO: AVISO:** utilize apenas as proteções de placa desenhadas pelo fabricante do aparelho de cozinha ou as indicadas como idóneas pelo fabricante do aparelho nas instruções de utilização ou as proteções de placa incluídas no aparelho. O uso de proteções erradas pode provocar acidentes.
  - Use sempre o utensílio apropriado.
  - Coloque sempre o recipiente no centro do disco onde vai cozinhar.
  - Não coloque nada sobre o painel de controlo.
  - Não use a placa como tábua de corte.
  - A superfície da placa deve deixada arrefecer antes de fechar a tampa.
  - **CUIDADO:** o processo de cozedura deve ser supervisionado. Um processo de cozedura curto deve ser supervisionado continuamente.

## Caro Cliente,

Obrigado por ter preferido a placa de indução CANDY, um produto que o poderá servir com total satisfação, durante muitos anos.

Antes de instalar e utilizar o aparelho, leia com atenção este Manual de Instruções e conserve-o para posteriores consultas.

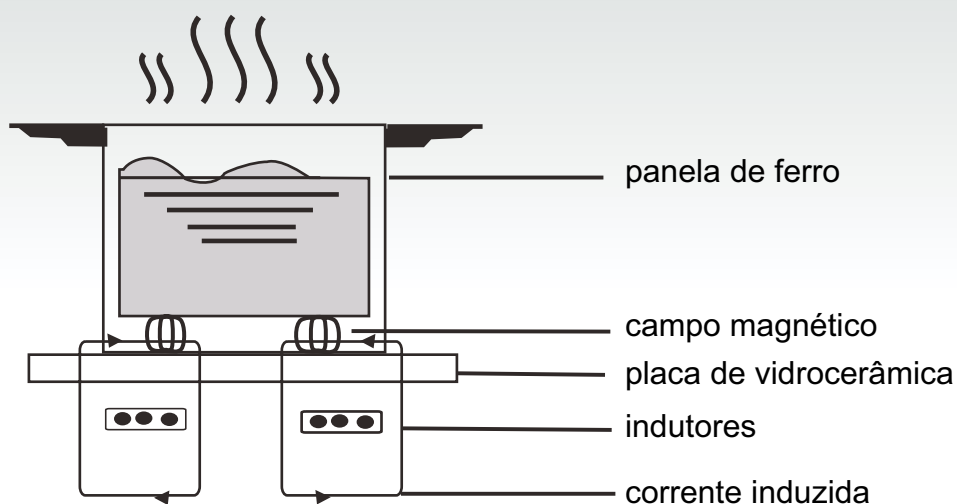
## Introdução

A placa de indução pode dar resposta às mais variadas exigências de cozedura com aquecimento electromagnético, graças a um sistema de controlo microinformatizado, multifunções. A escolha ideal para as famílias modernas.

Feito com materiais especiais, este electrodoméstico é extremamente fácil de utilizar, resistente e seguro.

## Princípio de funcionamento

A placa de indução é constituída por uma bobina de indução, uma placa de material ferromagnético e um sistema de controlo. A corrente eléctrica gera um campo electromagnético potente à volta da serpentina, produzindo uma série de ondas que geram o calor que é depois difundido pela superfície da placa.





## Segurança

**Esta placa é destinada a uso doméstico.** Preocupados em melhorar constantemente os nossos produtos, reservamo-nos o direito de os alterar para que acompanhem a evolução técnica.

● **Protecção contra sobreaquecimento**  
Um sensor de temperatura verifica constantemente a temperatura dentro da placa. Quando se regista uma temperatura superior à do nível de segurança, a placa desliga-se automaticamente.

● **Sinalização de objectos em contacto com a placa**  
Quando o diâmetro da panela colocada sobre o disco for inferior a 80 mm, se a panela em causa for não magnética (como por exemplo as panelas de alumínio) ou ainda, em caso de abandono de pequenos utensílios (como facas, garfos ou chaves) sobre a placa, o sistema disparará um sinal sonoro automaticamente, durante cerca de 1 minuto. Se o problema persistir, a placa entra automaticamente em *standby*.

● **Aviso de calor residual**  
Quando a placa for utilizada durante um período de tempo prolongado, há que ter em conta que a placa se mantém com calor residual durante algum tempo. Assim, a letra "H" no display aparece, para avisar que é necessário manter-se afastado da placa.

● **Autodesactivação como protecção**  
A autodesactivação é outra função de segurança da sua placa de indução. Activa-se automaticamente se a placa for deixada acesa. Os tempos predefinidos para desactivar automaticamente a placa do fogão variam em função do nível de potência utilizada e vêm indicados no quadro abaixo:

Nível de potência	A zona de cozedura desliga-se automaticamente após
1-3	8 horas
4-6	4 horas
7-9	2 horas

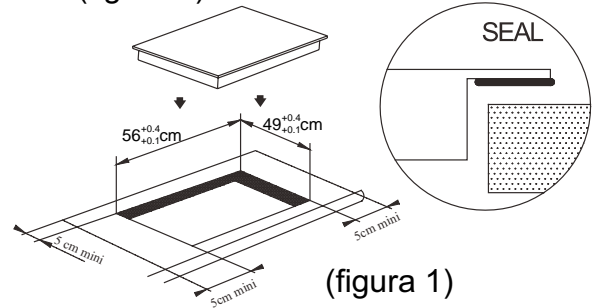
Quando a panela é retirada do disco no fim da cozedura, a placa de indução não pode parar o aquecimento imediatamente, desligando-se apenas depois do sinal sonoro tocar durante 1 minuto.

**Muito importante:**  
Pessoas com pacemaker devem utilizar este electrodoméstico sob orientação do seu médico.

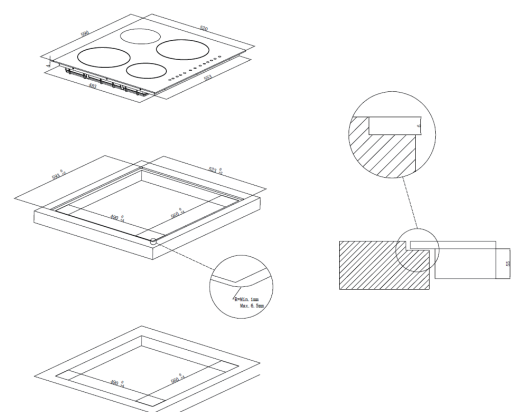
## Instalação

**Seleção do equipamento de instalação**

1. Fure o tampo da banca segundo as medidas indicadas na figura. Para uma instalação correcta é necessário deixar um espaço de, pelo menos, 5 cm à volta do furo. Verifique se a espessura do tampo de suporte da placa do fogão é, pelo menos, de 30 mm e se o material que o constitui é resistente a temperaturas altas, a fim de evitar deformações por radiação do calor da placa (figura 1).

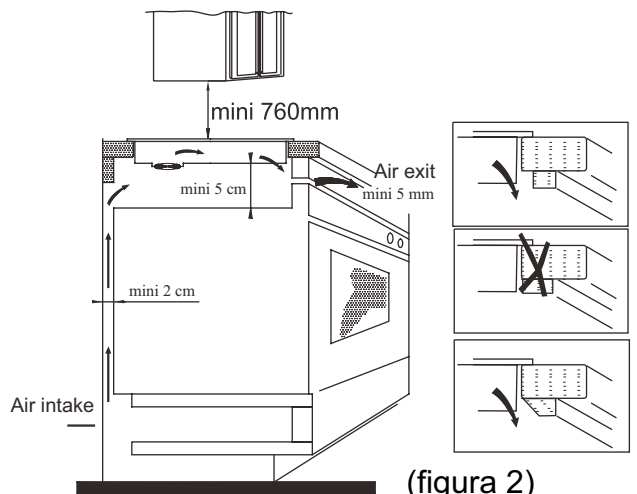


(figura 1)



Instalação nivelada: praticável somente se o forno não estiver instalado sob o balcão

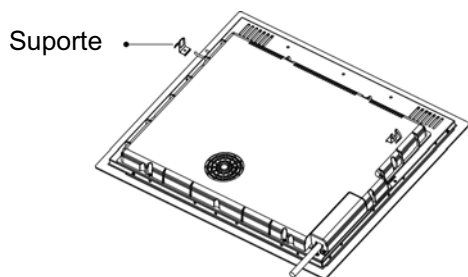
2. Verifique sempre se a placa de indução está bem fixada na sua base de fixação e se o ar que entra e sai circula perfeita e livremente (figura 2).



(figura 2)

**Nota:** A distância mínima de segurança entre a placa e o eventual armário colocado superiormente deve ser de, pelo menos, 760 mm.

- Após colocar a placa na posição de montagem, fixe-a à banca com quatro suportes (conforme figura). A seguir, ajuste cada um dos suportes segundo a espessura do tampo da banca.



### Advertências

- A placa de indução tem de ser instalada por pessoal qualificado. Não faça a instalação sozinho.
- A placa de indução não pode ser montada em frigoríficos, congeladores, máquinas de lavar louça ou secadores de roupa.
- A placa de indução deve ser instalada de modo a garantir a melhor irradiação de calor possível.
- A parede e a área por baixo da placa de indução têm de ser resistentes ao calor.
- Para evitar danos, a película de cola entre a placa do fogão e a superfície de fixação também tem de ser resistente ao calor.

### 4. Ligações eléctricas

A ligação da placa do fogão à rede eléctrica deverá ser feita por pessoal qualificado e respeitando as normas em vigor. Os vários modos de ligação da placa estão indicados na figura 3.

Voltagem	Cablagem				
380-415V 3N~	1 • L1	2 • L2	3 — N	4 • N	5 — Terra
	Preto	Castanho	Azul	Amarelo/Verde	
220-240V~	1 — L	2 • L	3 — N	4 • N	5 — Terra
	Preto e Castanho		Azul	Amarelo/Verde	

Verifique se a instalação eléctrica da sua casa é provida de uma ligação à terra eficaz segundo as normas e disposições de lei. A ligação à terra é obrigatória.

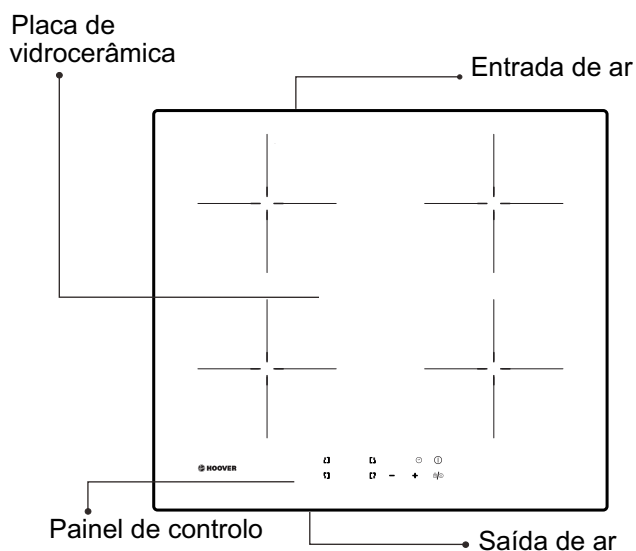
O fabricante declina toda e qualquer responsabilidade por eventuais danos provocados a pessoas ou coisas decorrentes do não cumprimento desta norma.

Se o aparelho for desprovido de ficha de ligação à corrente eléctrica, aplique no cabo uma ficha normalizada com capacidade para aguentar a carga indicada na placa de características do aparelho em questão. Se desejar uma ligação à rede eléctrica fixa, será necessário intercalar entre o aparelho e a rede um dispositivo de corte omni polar com distância mínima entre os contactos de 3 mm.

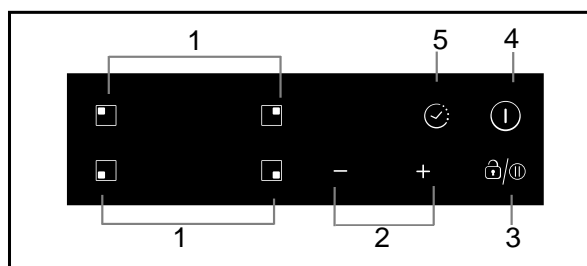
Se o cabo eléctrico estiver danificado ou a precisar de ser substituído, é necessário que a operação seja feita por pessoal especializado.

O cabo não pode ser dobrado ou esmagado.

### Descrição da placa de indução



### Esquema do painel de controlo



- Controlos de seleção das zonas de indução
- Controlos de regulação da Potência/Temporizador
- Controlo Bloqueio dos Botões/Pausa
- Controlo ON/OFF (LIGAR/DESLIGAR)
- Controlo temporizador

## Instruções para utilização

### Preparação antes de utilizar:

Imediatamente após a ligação, a placa emite um sinal sonoro e todos os indicadores luminosos começam a piscar durante 1 segundo, indicando que a placa de indução está em *standby*.

Coloque a panela sobre a zona de cozedura seleccionada.



### Instruções de funcionamento

Após pressão do botão "ON/OFF", todos os indicadores luminosos mostram o símbolo "-". Selecciona a zona de cozedura em que colocou a panela. O indicador luminoso do nível de potência da zona seleccionada começa a piscar. Prima, então, as teclas "+" ou "-". O display indicará 5 como valor standard. Regule o nível de potência desejado com as teclas "+" ou "-".

Premindo as teclas "+" e "-" simultaneamente, as programações anteriores serão anuladas e a zona da placa de indução desligada.

Ver quadro da pág. 121 para informações sobre a potência específica de cada zona de cozedura da placa de fogão.

**Nota:** Após pressão da tecla "ON/OFF", a placa de indução permanece em *standby* se não se fizer nenhuma operação no prazo máximo de 1 minutos.



### Função TIMER

Premindo a tecla TIMER, o indicador começa a piscar no display. É, então, possível definir o tempo. Utilizando as teclas "+" e "-" o utilizador poderá definir o tempo, de 1 a 99 minutos. Premindo a tecla "+", o tempo aumentará progressivamente, de 1 minuto. Premindo a tecla "-" diminuirá

também, progressivamente, de 1 minuto. Quando o tempo exceder o valor máximo, de 99 minutos, o timer regressa automaticamente a 0. Premindo as teclas "+" e "-" ao mesmo tempo, o indicador regressa ao valor 0.



### Confirmação da função TIMER

1. Selecciona o nível de potência da zona de cozedura desejada, prima a tecla "timer" e defina o tempo.
2. Depois do timer ter piscado durante cerca de 5 segundos, o tempo definido fica automaticamente confirmado.
3. A seguir à programação do tempo, prima a tecla "TIMER" para verificar se programou, efectivamente, o tempo desejado.
4. Quando o "Timer" é confirmado, aparece um ponto no canto inferior direito do nível de potência da zona seleccionada.

### Cancelamento da função TIMER

Mantenha premida a tecla "timer" durante 5 segundos, para cancelar a função definida anteriormente. O display indicará 0.

### Modo de segurança

Para assegurar a segurança de crianças, a placa de indução possui um dispositivo de bloqueio.

Para bloquear: pressione a tecla "Interlock", a placa entra em modo "Interlock", no relógio surgem as letras "Lo". As outras teclas estão desactivadas excepto a tecla "ON/OFF".

### Desbloquear

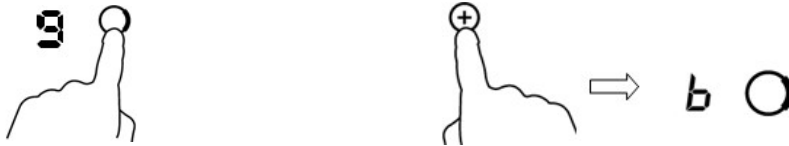
Pressione a tecla "Interlock" durante 2 segundos e a placa voltará ao seu funcionamento normal. letras "LO". As outras teclas estão desactivadas excepto a tecla "ON/OFF".



## Modo de impulso

Tocar no controle de seleção da zona de aquecimento e, em seguida, tocar em “+”. Certifique-se de que o ecrã mostra “9”.

Tocar de novo no botão “+”, o indicador de zona mostra “b” e a potência atinge o Máx



## Cancelar o modo de Impulso

Tocar no botão “-” para cancelar a função de Impulso, em seguida a zona de cozedura voltará para a sua regulação original.

Tocar nos controlos “-” e “+” juntos. A zona de cozedura é desligada e a função de Impulso é cancelada automaticamente.



- A zona de cozedura regressa para a sua configuração original após 5 minutos



Nota: Recomenda-se que a sucção do exaustor seja ligada alguns minutos antes da cozedura e desligada alguns minutos após o fim da cozedura.

## Modo de Pausa

- Pode fazer uma pausa no aquecimento em vez de desligar a placa.
- Quando se liga o modo de Pausa, todos os controlos exceto o ON/OFF são desativados

Inserir o modo de pausa	
Tocar no controlo de bloqueio/pausa.	Todos os indicadores mostrarão “11”
Para desbloquear os controlos	
Tocar no controlo de bloqueio/pausa.	



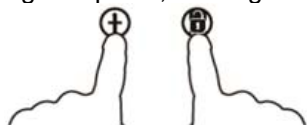
Quando a placa se encontra no modo de pausa, todos os controlos ficam desativados exceto ON/OFF , sendo possível ligar a placa de indução com o controlo ON/OFF  em caso de emergência.

## Função de Gestão de Energia

- É possível definir um nível máximo de absorção de energia para a placa de indução, escolhendo até diferentes faixas de potência.
- As placas de indução são capazes de se limitar automaticamente para trabalhar em nível de potência mais baixo, para evitar o risco de sobrecarga.

### Entrar na Função de Gestão de Energia

Ligue a placa, em seguida, pressione ao mesmo tempo o “+” (timer) e bloqueio dos botões.



O indicador do temporizador mostrará “P5” o que significa potência nível 5. O modo padrão está em 7,0Kw/ 7,1Kw.

### Para mudar para outro nível

Pressione +/- do temporizador. Existem 5 níveis de potência, de “P1” a “P5”. O indicador do temporizador apresentará um deles.

“P1” : a potência máxima é 2,5Kw.

“P2” : a potência máxima é 3,5Kw.

O indicador do temporizador mostrará “P5” o que significa potência nível 5. O modo padrão está em 7,0Kw/ 7,1Kw.

“P3” : a potência máxima é 4,5Kw.

“P4” : a potência máxima é 5,5Kw.

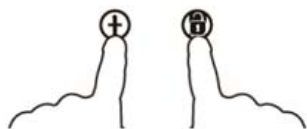
“P5” : a potência máxima é 7,0Kw/ 7,1Kw.



OU

### Confirmação e Saída da Função de Gestão de Energia

Pressione simultaneamente + (timer) e bloqueio dos botões para confirmação.



Agora a placa será desligada.

## Seleccção dos recipientes de cozinha para cozinhar



sertã de ferro



panela de aço inoxidável



tacho de ferro



fervedor de ferro



chaleira de aço inoxidável esmaltado



caçarola esmaltada



frigideira de ferro

1. Há múltiplos recipientes indicados para utilização em cozedura na placa de indução. Esta placa de indução permitir-lhe-á identificá-los e testá-los, aplicando um dos métodos seguintes:  
Coloque a panela sobre a zona de cozedura. Se no indicador desta zona de cozedura aparecer referido um nível de potência, significa que a panela é utilizável mas se, em vez disso, começar a piscar o símbolo "U", é sinal de que a panela não é própria para utilizar em placa de indução.
2. Coloque um íman na panela. Se houver atracção entre os dois elementos, significa que a panela é própria para cozedura em placa de indução.  
**Nota:** O fundo do recipiente terá de conter materiais que permitam condução magnética.  
A panela deverá ter base plana e diâmetro superior a 14 cm.
3. **Use recipientes cujo fundo tenha um diâmetro suficientemente grande para cobrir a demarcação da zona de cozedura.** A utilização de um recipiente com um diâmetro ligeiramente superior ao da zona de cozedura assegura uma utilização o mais eficiente possível da energia. Já a utilização de um recipiente com um diâmetro inferior ao da zona de cozedura implica uma eficiência de utilização da energia aquém da óptima. Além disso, recipientes com um diâmetro inferior a 140 mm poderão não ser detectados pela placa.

## Limpeza e manutenção

A superfície da placa de indução pode ser limpa, segundo um dos processos indicados no quadro abaixo:

Tipo de sujidade	Como limpar	Material a utilizar na limpeza
Pouco sujo	Molhar com água quente e depois secar	Esponja
Muito sujo	Molhar com água quente e secar com uma esponja abrasiva própria para vidrocerâmica	Esponja especial para vidrocerâmica
Incrustações	Deitar vinagre branco sobre a incrustação e limpar depois com um pano macio, ou utilizar um detergente específico.	Folha adesiva específica para vidrocerâmica
Açúcar, plástico ou alumínio fundido	Para remover os resíduos, utilizar um raspador próprio para vidrocerâmica (para proteger o vidro, é preferível utilizar produtos à base de silicone)	Folha adesiva específica para vidrocerâmica

**Nota:** Antes de qualquer operação de limpeza, desligue sempre o aparelho da rede eléctrica.

## Avárias e soluções

Em caso de anomalia, a placa de indução activa automaticamente as suas funções de protecção e dispara os códigos de protecção correspondentes:

Problema	Causa possível	Solução
F0/F1/F2	Avaria da ventoinha	Contactar o fornecedor
F3-F8	Avaria no sensor de temperatura	Contactar o fornecedor
E1/E2	Tensão eléctrica anómala	Verificar se há corrente eléctrica. Após a verificação, ligar de novo o aparelho
E3/E4	Temperatura anómala	Verificar a panela
E5/E6	Irradiação de calor insuficiente	Ligar de novo o aparelho depois de arrefecido

Esta é uma lista das avárias mais comuns.

Não desmonte a placa de indução por si, para evitar perigos e não provocar danos maiores.

## SERVIÇO DE ASSISTÊNCIA A CLIENTES

### Antes de chamar o serviço de Assistência Técnica

Se o aparelho não funcionar, aconselhamos:

- Verificar se a ficha está bem adaptada na tomada de corrente;
- Verificar o quadro de avárias indicado acima.

Se não conseguir localizar a causa do problema de funcionamento:

desligue o aparelho, não lhe mexa e chame o Serviço de Assistência Técnica.

## Declaração especial

---

Todo o conteúdo deste manual foi submetido a cuidadosa verificação. No entanto, o fabricante declina toda e qualquer responsabilidade por erros ou omissões na impressão. Além disso, numa eventual revisão do Manual de Instruções, o fabricante reserva-se o direito de introduzir eventuais alterações técnicas, sem qualquer aviso prévio. O aspecto e cor do equipamento correspondem aos do produto actual.

---



**ATENÇÃO!** Não eliminar este produto como resíduo doméstico. É necessário que seja recolhido separadamente, para submeter a tratamento especial.

Este electrodoméstico está marcado de acordo com a Directiva Europeia 2012/19/CE sobre eliminação de resíduos de equipamentos eléctricos e electrónicos (REEE).

Respeitando as directivas impostas sobre a eliminação deste produto, contribuirá para prevenir potenciais efeitos negativos para o meio ambiente e a saúde que, diversamente, poderiam decorrer da sua eliminação inadequada.

Este símbolo aplicado no produto indica que não pode ser eliminado como resíduo doméstico normal e que tem de ser levado a um centro de recolha selectiva próprio para reciclagem de equipamentos eléctricos e electrónicos.

Para mais informações sobre o tratamento, eliminação e reciclagem deste produto, contacte os serviços municipalizados locais ou dirija-se à loja onde comprou o aparelho.



Deli te naprave so po potrebi skladni z:  
UREDBO EVROPSKEGA PARLAMENTA IN SVETA (ES) št.  
1935/2004 o materialih in izdelkih, namenjenih za stik z živili.

## Varnostni ukrepi in vzdrževanje

- Pri priključitvi vgradite varnostno stikalo .
- Kuhalna plošča ni primerna za uporabo na prostem
- Nikoli ne potaplajte indukcijske kuhalne plošče v vodo .
- V omarici pod kuhalno ploščo ne hranite čistil ali drugih vnetljivih snovi.
- Nikoli ne segrevajte hermetično zaprtih posod, npr. konzerv – vedno jih najprej odprite, saj v nasprotnem primeru obstaja nevarnost, da eksplodirajo
- Po dolgotrajnem kuhanju ostane kuhališče vroče. Pazite, da se ne opečete ne dotikajte se steklokeramične površine z golo roko.
- Občasno se prepričajte, da so odprtine za zračenje pod kuhalno ploščo proste in da lahko zrak neovirano kroži.
- Ne odlagajte kovinskih predmetov (npr. nožev, vilic, žlic ali pokrovk) na kuhalno ploščo, saj bi se lahko ti segreli.
- Ne uporabljajte kuhalne plošče v bližini drugih naprav, ki proizvajajo visoko temperaturo (npr. štedilnik na plin ali peč na kerozin).
- Ne vklaplajte kuhališča, če je na njem prazna posoda. S tem bi lahko poškodovali kuhalno ploščo in povzročili nevarnost.
- Če se priključni kabel poškoduje, ga mora zamenjati pooblaščen servisier ali druga ustrezno usposobljena oseba.
- Na kuhalno ploščo ne postavljajte posod z grobim dnom, saj bi te lahko poškodovale steklokeramično površino.
- Redno čistite steklokeramično površino, da preprečite, da bi tujki zašli v ventilator, kar bi onemogočilo brezhibno delovanje aparata.

- **OPOZORILO:** Aparat in njegovi dostopni deli se med uporabo segrejejo. Pazite, da se ne dotaknete grelcev!
- Otroci, mlajši od 8 let, naj se aparatu ne približujejo nenadzorovani.
- Otroci, starejši od 8 let, ter osebe z zmanjšanimi fizičnimi, zaznavnimi ali umskimi sposobnostmi ali pomanjkljivimi izkušnjami ter znanjem lahko uporabljajo aparat le pod nadzorom oseb, ki so odgovorne za njihovo varnost, in ki so jih seznanili z varno uporabo aparata ter le v primeru, da razumejo tveganje, ki je s tem povezano.
- Otroci se ne smejo igrati z aparatom.
- Otroci lahko sodelujejo pri pripravi in vzdrževalnih delih le pod nadzorom odraslih.
- **OPOZORILO:** Pri segrevanju maščobe ali olja se ne oddaljajte od aparata, saj se te snovi zlahka vnamejo in povzročijo požar.
- **NIKOLI** ne gasite ognja z vodo, ampak izklopite aparat in nato pokrijte plamen - npr. s pokrovko ali primerno nevnetljivo krpo ali odejo.
- **OPOZORILO:** Nevarnost vžiga! Na kuhhalno površino ne odlagajte nikakršnih predmetov.
- Pri pripravi ne uporabljajte aparatov za pripravo s paro.
- Po uporabi izklopite kuhhalno mesto; ne zanašajte se na detektor posode!

- Aparat ni namenjen priklju itvi na zunanjo programsko uro ali poseben sistem za daljinsko upravljanje.
- Pri fiksni priklju itvi mora biti zagotovljena možnost izklopa iz elektri nega omrežja skladno z veljavnimi predpisi.
- V navodilih je navedena ustrezna vrsta priklju nega kabla, saj je potrebno upoštevati temperaturo na hrbtni strani aparata.
- e je priklju ni elektri ni kabel poškodovan, ga je mora zamenjati ustrezno usposobljen strokovnjak pooblaš enega servisa ali druga strokovna oseba, da se izognete tveganju.
- **POZOR:** Da bi se izognili slu ajnemu resetiranju termi nega prekinjala, aparat ne sme biti napajan preko zunanje naprave, npr. programske ure, ter ne sme biti priklju en na tokokrog, ki ga redno vklaplja oz. izklaplja dobavitelj energije.

- Sredstva za izklop morajo biti vgrajena v stalno napeljavo skladno s pravili glede napeljave.
- V navodilih je navedena vrsta kabla, ki ga morate uporabiti, pri čemer je treba upoštevati tudi temperaturo zadnje površine naprave.
- **OPOZORILO:** Uporabljajte samo zaščite kuhalnih plošč, ki jih je izdelal proizvajalec naprave za kuhanje ali ki jih je proizvajalec navedel v uporabniških navodilih kot primerne, ali zaščite plošč, ki so vgrajene v napravi. Uporaba neustreznih zaščit lahko povzroči nesreče.
  - Vedno uporabljajte ustrezno kuhinjsko posodo.
  - Posodo vedno položite na sredino enote, na kateri kuhate.
  - Na upravljalno ploščo ne polagajte ničesar.
  - Površine ne uporabljajte kot rezalno ploščo.
  - Pred zapiranjem pokrova mora biti površina kuhalne površine ohlajena.
  - **POZOR:** Postopek kuhanja mora biti pod nadzorom.  
Kratkotrajni postopek kuhanja mora biti pod stalnim nadzorom.

Dragi kupec,

zahvaljujemo vam se, ker ste izbrali indukcijsko kuhalno ploščo Candy. Upamo, da vam bo dolgo let dobro služila.

Prosimo, da pred uporabo kuhalne plošče pozorno preberete ta navodila in jih shranite na varno, saj jih boste morda še potrebovali.

## Predstavitev izdelka

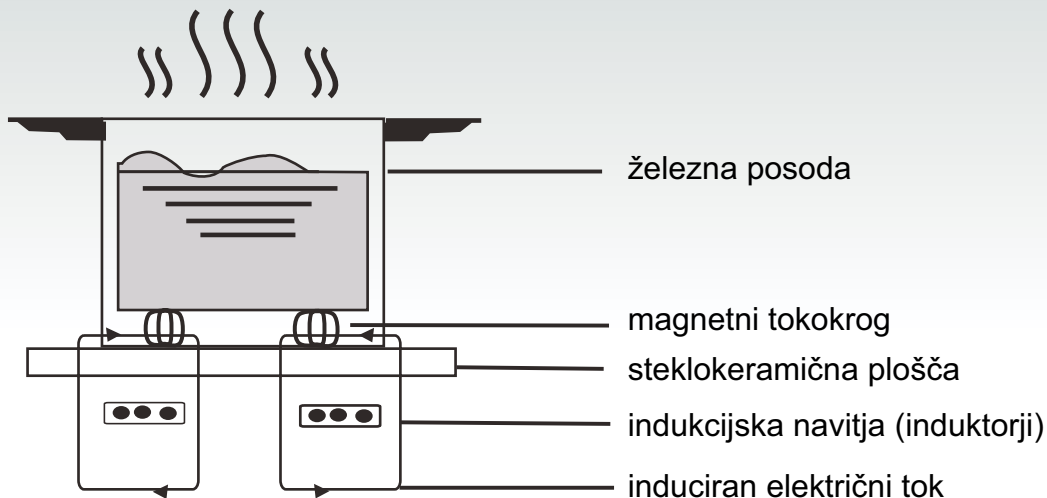
Indukcijska kuhalna plošča je primerna za vse načine kuhanja.

Opremljena je z elektromagnetnimi kuhališči, mikro-računalniškim krmiljenjem in številnimi koristnimi funkcijami, tako da je res idealna izbira za sodobne družine.

Indukcijske kuhalne plošče Candy so izdelane iz posebnih materialov, zato so izjemno prijazne do uporabnikov, trajne in varne.

## Princip delovanja

Indukcijska kuhalna plošča je sestavljena iz navitij, plošče iz feromagnetne snovi in krmilnega sistema. Električni tok preko navitja ustvarja močno magnetno polje. To proizvaja vrtince, ki ustvarjajo toploto, ki se nato preko kuhališča prenaša do posode.



## Varnost

Kuhalna plošča je namensko zasnovana za uporabo v gospodinjstvih.

CANDY konstantno izboljšuje svoje izdelke, zato si pridržuje pravico do sprememb na področju tehničnih značilnosti, programa in zunanjšega videza aparatov.

### ● Zaščita pred pregrevanjem

Tipalo nadzira temperaturo v kuhališču. Če se temperatura dvigne nad varno stopnjo, se kuhališče izklopi.

### ● Zaznavanje premajhnih ali nemagnetnih predmetov

Če na kuhališče postavite premajhno posodo (premera pod 80 mm), odložite nanj manjši predmet (npr. nož, vilico, ključ) ali nemagnetno posodo (npr. iz aluminija), se približno 1 minuto oglašča zvočni signal, nato pa se kuhalna plošča preklopi v stanje pripravljenosti.

### ● Opozorilo o preostali toploti

Če kuhališče po določenem času izklopite, ostane nekoliko vroče. V takem primeru se prikaže črka »H«, ki vas opozori, da bi se lahko na vročem kuhališču opekli.

### ● Samodejen izklop

Dodatna varnostna funkcija indukcijske kuhalne plošče je samodejen izklop; to je predvsem koristno, če kdaj pozabite izklopiti kuhališče. V spodnji razpredelnici je naveden čas, po katerem se kuhališče samodejno izklopi:

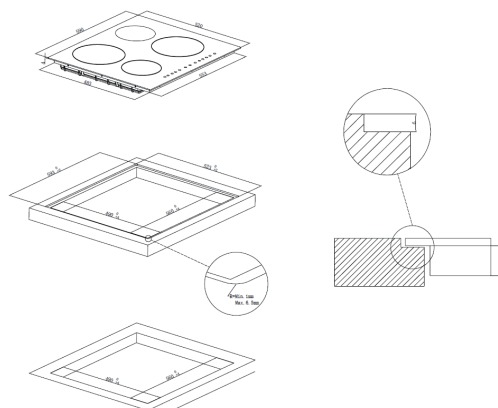
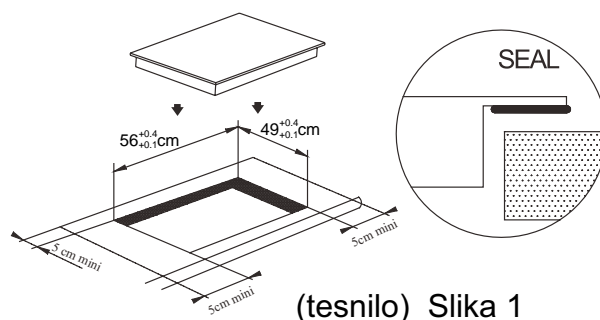
Izbrana stopnja	Kuhališče se avtomatsko izklopi po
1-3	8 urah
4-6	4 urah
7-9	2 urah

Ko posodo odstranite s kuhališča, se to takoj preneha segregati; za eno minuto se orlasi zvočni signal, nato pa se kuhališče izklopi.

**Opozorilo:** Osebe s srčnim spodbujevalnikom se morajo pred uporabo indukcijske kuhalne plošče posvetovati z zdravnikom.

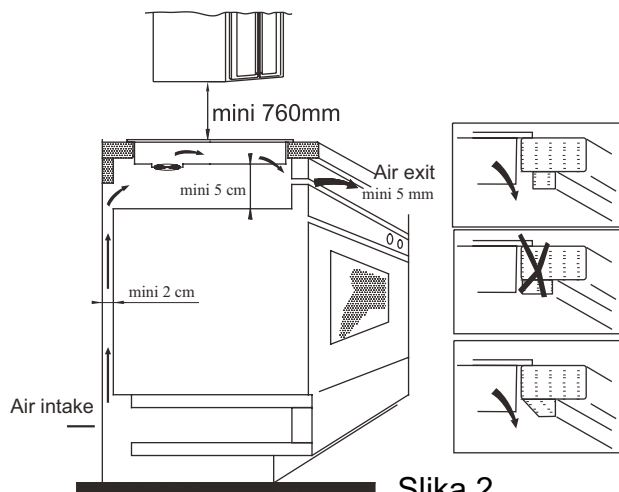
## Vgradnja

1. V kuhinjski pult izrežite luknjo ustrezne velikosti (mere so navedene na spodnji sliki). Okoli izreza mora ostati vsaj 50 mm površine. Kuhinjski pult mora biti debel vsaj 30 mm in izdelan iz na vročino odporne snovi. (mere so prikazane na sliki 1).



Namestitev s splakovanjem: izvedljiva le, če pečica ni nameščena pod pultom

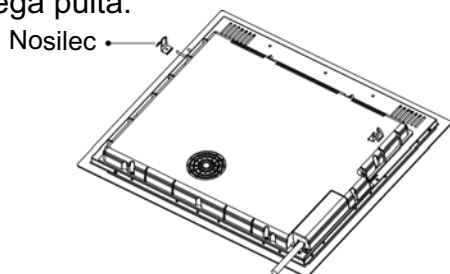
2. Za brezhibno delovanje indukcijske kuhalne plošče je ključnega pomena zadostno zračenje; odprtine za zrak ne smejo biti zakrite. Prepričajte se, da je kuhalna plošča pravilno vgrajena, kot je to prikazano na sliki 2.



Odprtina za vstop zraka  
 Odprtina za izstop zraka

**OPOMBA:** Zaradi varnosti mora biti razdalja med kuhhalno ploščo in visečo kuhinjsko omarico vsaj 760 mm.

3. Pritrdite kuhhalno ploščo na kuhinjski pult s pomočjo štirih nosilcev na spodnji strani. Nosilce lahko prilagodite debelini kuhinjskega pulta.



### Opozorila:

- Vgradnjo in priključitev indukcijske kuhhalne plošče prepustite ustrezno usposobljenim strokovnjakom; priporočamo, da se obrnete na naše pooblaščen servisne službe. Nikoli ne poskušajte sami vgraditi in priključiti kuhhalno ploščo.
- Indukcijske kuhhalne plošče ne smete vgraditi nad hladilnik, zamrzovalnik, pomivalni stroj ali sušilni stroj.
- Indukcijska plošča mora biti vgrajena tako, da je možno optimalno izžarevanje toplote.
- Zid in druge površine nad kuhhalno ploščo morajo biti iz na vročino odporne snovi.
- Tudi pohištvo (iverne plošče, lepila) mora biti izdelano iz na vročino odpornih snovi.

### 4. Priključitev na električno omrežje

Vtikač priključite na vtičnico, skladno z veljavnimi predpisi, z enopolnim prekinjalom. Pravilni načini so prikazani v spodnji razpredelnici (slika 3).

Napetost	Žična povezava				
380-415V 3N~	1 • L1	2 • L2	3 •	4 • N	5 • ⏚
	Črna	Rjava	Modra	Rumena/zelena	
220-240V~	1 •	2 • L	3 •	4 • N	5 • ⏚
	črna in Rjava		Modra	Rumena/zelena	

Če je priključni kabel poškodovan in ga je treba zamenjati, to delo prepustite strokovnjaku pooblaščenega servisa, ki ima na voljo ustrezno orodje; tako se boste izognili nepotrebnemu tveganju.

Če bo kuhhalna plošča fiksno priključena na električno omrežje, morate vgraditi večpolno stikalo z razdaljo med kontakti vsaj 3 mm.

Strokovnjak, ki bo opravil potrebna dela, mora upoštevati ta navodila in vse veljavne varnostne predpise.

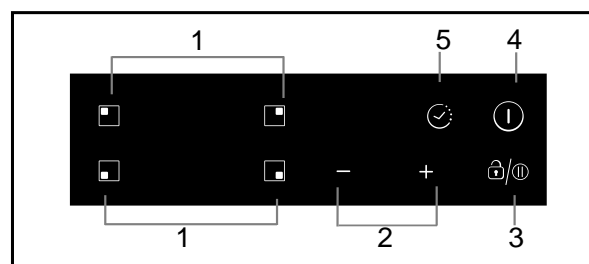
Priključni kabel ne sme biti upognjen ali stisnjen.

Redno preverjajte stanje kabla; zamenjavo prepustite ustrezno usposobljenim strokovnjakom.

### Skica indukcijske kuhhalne plošče



### Skica stikalne plošče



- Kontrolni gumbi za izbiro ogrevalne površine.
- Gumb za uravnavanje moči/časa
- Kontrolni gumb za zaklep/premor
- Gumb za VKLOP/IZKLOP
- Časovnik

## Navodila za uporabo

### Pred prvo uporabo

Ko vklopite kuhhalno ploščo, se oglasi zvočni signal, za eno sekundo se osvetlijo vsi indikatorji, nato pa ugasnejo. Kuhhalna ploščha je zdaj v stanju pripravljenosti.

Postavite posodo na sredino kuhhališča.

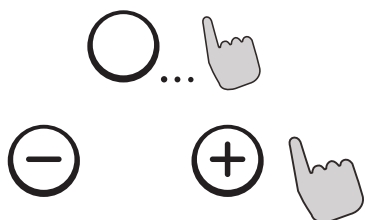


### Navodila za upravljanje kuhhalne ploščhe

Ko pritisnete na tipko za vklop/izklop, vsi indikatorji kažejo „-“. Ustrezno stopnjo za izbrano kuhhališče nastavite s pomočjo tipke „+“ ali „-“. Na indikatorju se najprej prikaže stopnja „5“; stopnjo prilagodite s pomočjo tipke „+“ ali „-“. Če hkrati pritisnete na obe tipki, „+“ in „-“, s tem nastavite stopnjo „0“ in kuhhališče se izklopi.

Podatki o moči posameznih kuhhališč so prikazani v razpredelnici na strani 129.

**Opomba:** Če po pritisku na tipko za vklop/izklop dlje kot 1 minuti ne vnesete novih ukazov, se indukcijska kuhhalna ploščha preklopi v stanje pripravljenosti.



### Programska ura (TIMER)

Ob pritisku na tipko za programsko uro začne utripati indikator. Zdaj lahko s pomočjo tipke „+“ ali „-“ nastavite čas od 1 do 99 minut. Ob vsakem pritisku na tipko „+“ ali „-“ se vrednost poveča oziroma zmanjša za 1 minuto. Če nastavite vrednost 99 minut, nato pa še enkrat pritisnete na tipko „+“, se vrednost samodejno premakne nazaj na „0“.



### Potrditev funkcije TIMER

1. Izberite stopnjo za izbrano kuhhalno ploščho, pritisnite tipko „TIMER“ in nastavite želeni čas.
2. Indikator 5 sekund utripa, nato pa je nastavljeni čas samodejno potrjen.
3. Nastavitev potrdite s pritiskom na tipko za programsko uro.
4. Ko potrdite časovnik, se pojavi točka na spodnji desni strani ravni moči izbranega območja.

### Preklic funkcije programske ure

Če ste nastavili programsko uro, nastavitev po potrebi prekličete tako, da 5 sekund pritisnete na tipko za programsko uro. S tem nastavitev prekličete in indikator spet kaže „0“.

### Varnostni način

Zaradi varnosti otrok je indukcijska ploščha opremljena z napravo za »zaklepanje«.

Če pritisnete na tipko »Interlock«, se kuhhalna ploščha preklopi v način »Interlock« (zaklenjeno) na programski uri je viden napis »Lo«, onemogočene so vse tipke razen tipke za vklop/izklop.

### Odklepanje

2 sekundi pritisnete na tipko »Interlock«; kuhhalna ploščha se preklopi v normalen način delovanja.

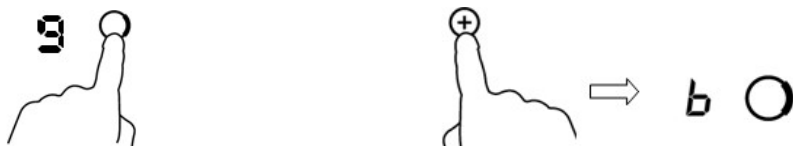




## Način **Boost** (povečana moč)

Dotaknite se kontrolne enote ogrevalne površine, nato pritisnite »+« in preverite, ali je na zaslonu prikazano število 9.

Če ponovno pritisnete »+«, se na zaslonu območja prikaže »b«, kar pomeni, da je bila dosežena največja moč delovanja.



## Izklop načina **Boost**

Če pritisnete gumb »-«, boste izklopili funkcijo Boost in nastavitve kuhalne plošče bodo ponastavljene na privzete.

Če hkrati pritisnete gumba »-« in »+«: Kuhalno območje se izklopi in funkcija Boost se samodejno izklopi.



- Nastavitve kuhalnega območja se po 5 minutah ponastavijo nazaj na prvotne.

**Opomba:** Priporočamo, da napo vklopite nekaj minut pred začetkom kuhanja in jo nato nekaj minut po koncu kuhanja izklopite.

## Način **premora**

- Namesto da kuhalno ploščo izklopite, lahko za nekaj časa zaustavite segrevanje.
- Ob vklopu načina premora so vsi kontrolni gumbi, razen gumba za VKLOP/IZKLOP, onemogočeni.

Vklop načina premora	
Dotaknite se kontrolnega gumba za zaklep/premor.	Na vseh zaslonih se bo prikazalo število 11.
Omogočanje kontrolnih gumbov	
Dotaknite se kontrolnega gumba za zaklep/premor.	



Ko je kuhalna plošča v načinu premora, so vsi kontrolni gumbi, razen gumba za VKLOP/IZKLOP, onemogočeni. ⓘ

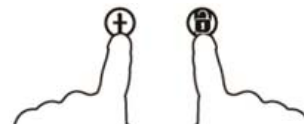
Indukcijsko kuhalno ploščo lahko v nujnih primerih vedno izklopite ⓘ z gumbom za VKLOP/IZKLOP.

## Funkcija uravnavanja moči

- Indukcijski kuhlani plošči lahko nastavite največjo raven moči, pri čemer lahko izbirate med različnimi ravnmi.
- Indukcijske kuhlne plošče lahko samodejno omejijo raven delovanja tako, da delujejo pri nižji moči, kar zmanjša tveganje preobremenitve.

### Vklop funkcije uravnavanja moči

Vklopite kuhlno ploščo, nato pa istočasno pritisnite »+« (časovnik) in gumb za zaklep.



Na zaslonu časovnika se bo prikazal napis »P5«, kar pomeni, da kuhlna plošča deluje z močjo ravni 5. Privzeti način delovanje je 7 Kw/7,1 Kw.

### Sprememba ravni moči

Pritisnite +/- pri časovniku. Na voljo je pet ravni, tj. od »P1« do »P5«. Zaslon časovnika bo prikazal izbrano raven.

»P1« – največja dosežena moč delovanje je 2,5 Kw.

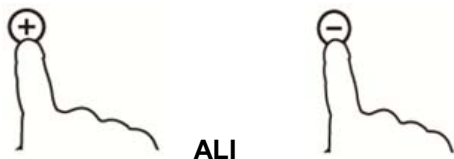
»P2« – največja dosežena moč delovanje je 3,5 Kw.

Na zaslonu časovnika se bo prikazal napis »P5«, kar pomeni, da deluje z močjo ravni 5. Privzeti način delovanje je 7 Kw/7,1 Kw.

»P3« – največja dosežena moč delovanje je 4,5 Kw.

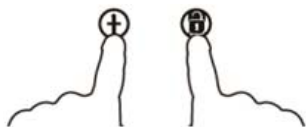
»P4« – največja dosežena moč delovanje je 5,5 Kw.

»P5« – največja dosežena moč delovanje je 7 Kw/7,1 Kw.



### Potrditev in izhod iz funkcije uravnavanja moči

Za potrditev istočasno pritisnite + (časovnik) in gumb za zaklep.



Kuhlna plošča se bo izklopila.

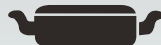
## Izbira ustreznih posod



železna ponev za ocvrte jedi



lonec iz nerjavečega jekla



železna ponev



železen lonec



kotliček iz emajliranega nerjavečega jekla



emajliran lonec



železna ponev

Na indukcijski kuhalni plošči lahko kuhate v različnih posodah.

1. Ta indukcijska kuhalna plošča prepozna številne posode; uporabnost teh lahko preverite s preprostim preizkusom:

Postavite posodo na kuhališče. Če se za izbrano ploščo prikaže stopnja moči, je posoda ustrezna. Če pa namesto tega utripa črka „U“, posoda ni primerna za kuhanje na indukcijski kuhalni plošči.

2. Približajte magnet dnu posode. Če snov privlači magnet, je posoda primerna za kuhanje na indukcijski kuhalni plošči.

**Opomba:** Dno posode mora biti izdelano iz magnetnega materiala.

Dno posode mora biti ravno, premer pa nad 14 cm.

3. **Uporabite posodo, katere dno je enakega premera kot oznaka na izbranem kuhališču.**

Nekoliko širša posoda bo zagotovila maksimalno učinkovito izrabo energije. Če uporabite manjšo posodo, bo učinkovitost manjša od pričakovane. Možno je, da kuhališče ne zazna posode s premerom pod 140 mm.

## Čiščenje in vzdrževanje

Čiščenje indukcijske kuhalne plošče je povsem enostavno:

Vrsta nečistoče	Čiščenje	Pripomoček za čiščenje
Manj umazana površina	Namočite z vročo vodo in obrišite do suhega	Gobica
Madeži in sledi vodnega kamna	Nanesite malo belega kisa na madež, obrišite z mehko krpo ali uporabite namensko čistilo	Posebna lepilna folija za steklokeramiko
Staljeni sladkor, alufolija ali plastika	Nečistočo odstranite s posebnim strgalom za steklokeramiko (najboljša so silikonska)	Posebna lepilna folija za steklokeramiko

**Opomba:** Pred čiščenjem izklopite aparat.

## Prikaz in odpravljanje nepravilnosti v delovanju

Napaka	Možni razlogi	Rešitev
F0/F1/F2	okvara ventilatorja	obrnite se na pooblaščen servis
F3-F8	okvara senzorja temperature	obrnite se na pooblaščen servis
E1/E2	neustrezna električna napetost	preverite električno napajanje, nato ponovno vklopite aparat
E3/E4	nepravilna temperatura	preverite ustreznost posode
E5/E6	nezadostna toplota	ponovno vklopite aparat potem, ko se je shladil

V zgornji razpredelnici je naveden seznam najbolj pogostih nepravilnosti v delovanju. Indukcijske kuhalne plošče nikoli ne razstavljajte sami, saj bi lahko povzročili še hujšo okvaro.

## Servisiranje

Če se kuhalna plošča pokvari:

- najprej preverite, da je pravilno priključena na električno omrežje; nato
- poskusite odpraviti napako s pomočjo zgornje razpredelnice.

Če vam problema ne uspe odpraviti, izključite kuhalno ploščo iz električnega omrežja. Ne poskušajte je sami popraviti, ampak se obrnite na najbližji pooblaščen servis.



Pridržujemo si pravico do sprememb brez predhodnega obvestila in do tiskarskih napak.

Izdelek je označen skladno z direktivo evropske Gospodarske zbornice 2012/19 o odpadni električni in elektronski opremi (WEEE).

S pravilnim načinom odstranjevanja izdelka boste pomagali preprečiti morebitne negativne posledice na okolje in zdravje ljudi, ki bi jih lahko povzročilo nepravilno odstranjevanje aparata.

Simbol na izdelku označuje, da s tem izdelkom ni dovoljeno ravnati kot z običajnimi gospodinjstvi odpadki. Izdelek odpeljite na ustrezno zbirno mesto za predelavo električne in elektronske opreme.

Odstranjevanje mora biti opravljeno skladno z lokalnimi okoljevarstvenimi predpisi o odstranjevanju odpadkov.

Za podrobnejše informacije o odstranjevanju in predelavi tega izdelka se obrnite na pristojen mestni organ za odstranjevanje odpadkov, komunalno službo ali trgovino, v kateri ste izdelek kupili.

Označením tohto výrobku značkou **CE** na vlastnú zodpovednosť potvrdzujeme zhodu so všetkými relevantnými európskymi bezpečnostnými, zdravotnými a environmentálnymi požiadavkami, ktoré sa v právnych predpisoch vzťahujú na tento výrobok.

V závislosti od aplikácie, diely tohto spotrebiča spĺňajú požiadavky: NARIADENIA (ES) č. 1935/2004 o materiáloch a predmetoch určených na styk s potravinami.

### **Bezpečnostné upozornenia a údržba:**

- **VAROVANIE:** Zariadenie a jeho prístupné súčasti sa počas prevádzky zahrievajú na vysokú teplotu. Dávajte pozor, aby ste sa nedotkli vyhrievacích prvkov.
- Deti do 8 rokov sa nesmú zdržiavať pri zariadení, ak nie sú pod neustálym dohľadom.
- Toto zariadenie môžu používať deti staršie než 8 rokov a osoby so zníženými telesnými, zmyslovými alebo duševnými schopnosťami alebo s nedostatkom skúseností a znalostí, len ak sú pod dozorom alebo dostali pokyny o používaní zariadenia bezpečným spôsobom a ak chápu nebezpečenstvá s ním súvisiace.
- Deti sa nesmú hrať so spotrebičom.
- Čistenie a užívateľskú údržbu nesmú vykonávať deti bez dozoru.
- **VAROVANIE:** Pri príprave pokrmov s tukmi alebo olejmi nenechávajte varnú dosku bez dozoru, pretože je to nebezpečné a hrozí nebezpečenstvo vzniku požiaru.
- **NIKDY** sa nesnažte uhasiť oheň vodou, ale zariadenie vypnite a potom plameň zakryte napríklad vekom alebo požiarnou dekou.
- **VAROVANIE:** Nebezpečenstvo vzniku požiaru: na varných povrchoch neuchovávajte žiadne predmety.
- **VAROVANIE:** Ak je povrch prasknutý, vypnite zariadenie, aby ste zabránili možnosti úrazu elektrickým prúdom.
- Na čistenie nepoužívajte parný čistič.
- Kovové predmety, napríklad nože, vidličky, lyžičky a pokrievky na hrnce sa nesmú odkladať na varnú dosku, pretože sa môžu veľmi zohriať.
- Akékoľvek nečistoty odstráňte z veka pred otvorením. Pred zatvorením

veka sa musí varná doska nechať vychladnúť.

- Po použití prvok dosky vypnite pomocou jeho ovládača. Nespoliehajte sa na detektor hrncov.
- Toto zariadenie nie je určené na ovládanie pomocou externého časovača alebo samostatného systému diaľkového ovládania.
- Prostriedok na odpojenie musí byť začlenený do pevnej elektroinštalácie v súlade s pravidlami zapojenia.
- Pokyny uvádzajú typ kábla, ktorý sa má použiť s ohľadom na teplotu zadného povrchu zariadenia. Ak došlo k poškodeniu napájacieho kábla, musí ho vymeniť výrobca, jeho servisný zástupca alebo podobne spôsobilá osoba, aby nedošlo k nebezpečenstvu.
- UPOZORNENIE: Aby sa predišlo nebezpečenstvu v dôsledku neúmyselného zresetovania tepelnej ochrany, toto zariadenie nesmie byť napájané cez externé spínacie zariadenie, napríklad časovač, alebo byť pripojené k obvodu, ktorý sa pravidelne zapína a vypína dodávateľom energie.
- VAROVANIE: Používajte iba chrániče varnej dosky navrhnuté výrobcom spotrebiča určeného na varenie alebo určené výrobcom spotrebiča v návode na použitie ako vhodné pomôcky alebo chrániče zabudované do spotrebiča. Použitie nevhodných chráničov môže spôsobiť nehody.
- Vždy používajte vhodný riad.
- Hrniec položte vždy do stredu používanej varnej zóny.
- Nikdy nič nekladte na ovládací panel.
- Povrch varnej dosky nepoužívajte ako dosku na krájanie.
- Prostriedky na odpojenie musia byť integrované do pevnej elektrickej inštalácie v súlade s pravidlami zapojenia elektrického vedenia.– V pokynoch sa uvádza typ používaného napájacieho kábla, pričom sa zohľadňuje teplota zadného povrchu zariadenia.
- Pred zatvorením veka sa musí varná doska nechať vychladnúť.
- UPOZORNENIE: na nádoby na varnej doske počas varenia dohliadajte. Pri príprave jedla s krátkou dobou varenia na jedlo nepretržite dohliadajte.

**Vážení zákazník:**

Ďakujeme vám, že ste si kúpili indukčnú varnú dosku CANDY. Veríme, že vám poskytnete dobré služby po mnoho rokov.

Pred použitím varnej dosky si, prosím, pozorne prečítajte tento návod na použitie a uchovajte si ho na bezpečnom mieste pre prípad, že by ste ho v budúcnosti potrebovali.

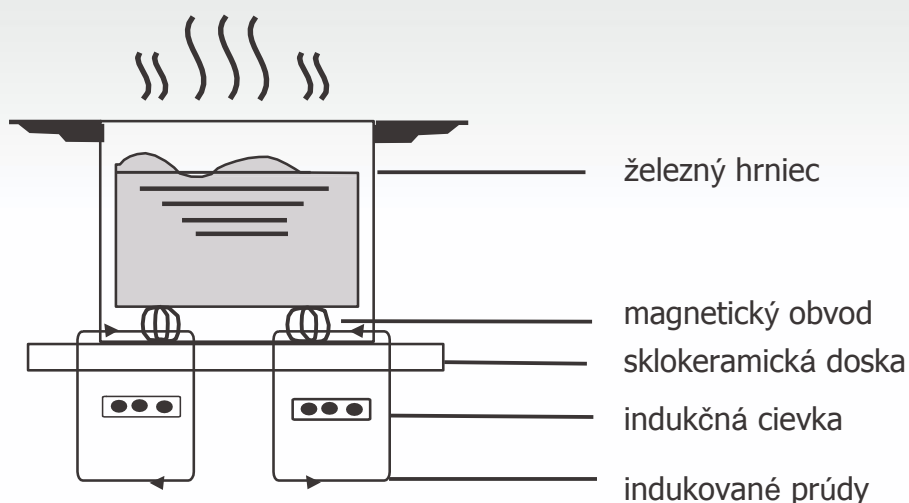
**Predstavenie výrobku**

Táto indukčná varná doska je vhodná pre všetky typy varenia. Vďaka elektromagnetickým varným zónam, mikro počítačom riadeným ovládačom a mnohým funkciám predstavuje ideálnu voľbu pre dnešnú rodinu.

Indukčná varná doska CANDY je vyrobená zo špeciálnych importovaných materiálov. Je mimoriadne praktická, odolná a bezpečná.

**Princíp činnosti**

Indukčnú varnú dosku tvorí cievka, vyhrievacia platňa vyrobená z feromagnetického materiálu a riadiaci systém. Elektrický prúd generuje prostredníctvom cievky silné magnetické pole. Dochádza tak ku vzniku množstva vírov, ktoré následne generujú teplo, ktoré sa prenáša prostredníctvom varnej zóny do varného riadu.



## Bezpečnosť

Táto varná doska bola špeciálne navrhnutá na používanie v domácnosti.

Keďže sa spoločnosť CANDY snaží svoje výrobky neustále vylepšovať, vyhradzuje si právo kedykoľvek upravovať technické, programové alebo estetické stránky tohto zariadenia.

### ● Ochrana pred prehriatím

Snímač monitoruje teplotu vo varných zónach. Keď teplota prekročí bezpečnú úroveň, varná zóna sa automaticky vypne.

### ● Detekcia malých alebo nemagnetických predmetov

Keď na varnej doske ponecháte hrniec s priemerom menším ako 80 mm alebo iný malý predmet (napr. nôž, vidličku, kľúč) či nemagnetický hrniec (napr. hliníkový), približne jednu minútu bude znieť zvuková signalizácia a potom sa varná doska automaticky prepne do pohotovostného režimu.

### ● Varovanie ohľadom zvyškového tepla

Ak bola varná doska nejakú dobu zapnutá, bude mať zvyškové teplo. Upozorní vás naňho zobrazené písmeno „H“, aby ste sa zdržiavali od spotrebiča čo najďalej.

### ● Automatické vypínanie

Ďalšia bezpečnostná funkcia indukčnej dosky je automatické vypínanie. To nastáva vždy, keď zabudnete varnú zónu vypnúť. Preddefinované časy vypnutia sú uvedené v nasledujúcej tabuľke:

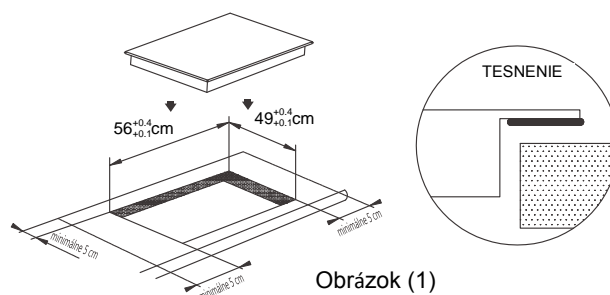
Úroveň výkonu	Ohrevná zóna sa automaticky vypína po
1~3	8 hodinách
4~6	4 hodinách
7~9	2 hodinách

Po odstránení hrnca z varnej zóny sa zahrievanie ihneď preruší a po minúte zvukovej signalizácie sa vypne.

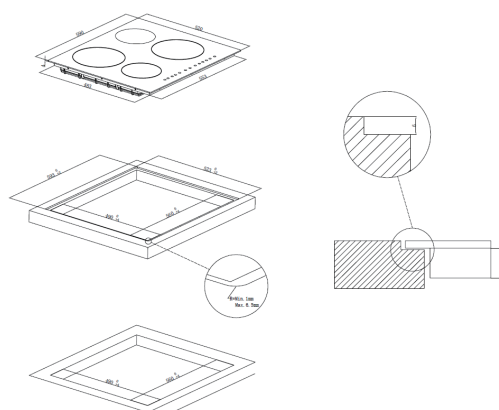
**Varovanie:** Každý, kto používa kardiostimulátor, sa musí o používaní indukčnej varnej dosky poradiť s lekárom.

## Inštalácia

1. Vyrežte diery v pracovnej doske podľa rozmeru znázorneného na nižšie uvedenej schéme. Okolo otvoru sa musí ponechať minimálne 50 mm medzera. Pracovná doska by mala byť aspoň 30 mm hrubá a vyrobená z tepelne odolného materiálu. Ako je znázornené na obrázku (1)

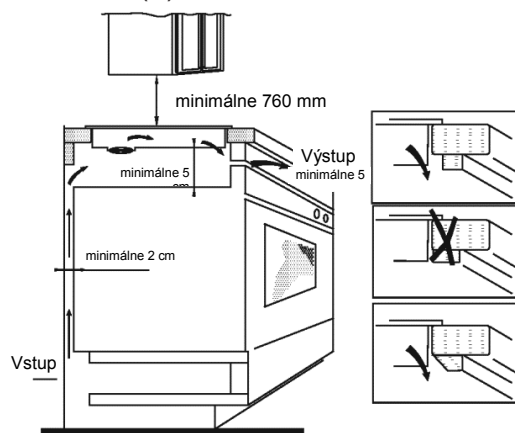


Obrázok (1)



Zapustená inštalácia: možné len vtedy, ak nie je rúra inštalovaná pod pultom

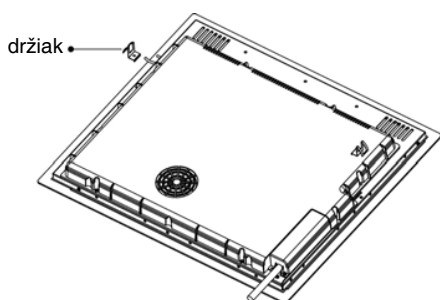
2. Je dôležité, aby bola indukčná doska dobre odvetrávaná a aby nebol blokovaný vstup ani výstup vzduchu. Podľa obrázku (2) skontrolujte, či je varná doska správne nainštalovaná. Obrázok (2)





**Poznámka:** Z bezpečnostných dôvodov musí byť medzera medzi doskou a akoukoľvek kuchynskou skrinkou nad ňou najmenej 760 mm.

- Varnú dosku pripevnite k pracovnej doske pomocou štyroch konzol, ktoré sa nachádzajú na základni varnej dosky. Polohu konzol je možné nastaviť podľa hrúbky pracovnej dosky.



### Varovania:

- Indukčnú varnú dosku musí inštalovať odborné spôsobilá osoba. Máme k dispozícii vlastných kvalifikovaných inštalátorov. Nikdy sa nepokúšajte zariadenie inštalovať svojpomocne.
- Indukčná varná doska sa nesmie inštalovať nad chladničky, mrazničky, umývačky riadu alebo bubnové sušičky.
- Indukčná varná doska by mala byť nainštalovaná tak, aby sa dosiahlo optimálne vyžarovanie tepla.
- Stena a oblasť nad varnou doskou by mala odolať pôsobeniu tepla.
- Aby ste zabránili poškodeniu, sendvičová vrstva a lepidlo by mali byť odolné voči teplu.

- Pripojenie k sieťovému napájaniu**  
Zásuvka by mala byť pripojená k jedнопólovému ističu v súlade s príslušnou normou. Spôsob pripojenia je znázornený na obrázku 3.

Napätie a frekvencia	Pripojenie vodičov				
380 – 415 V 3N~	1 • L1	2 • L2	3 —• Modrý	4 • N	5 —• Žltozelený
220 – 240 V~	1 • Čiernohnedý	2 • L	3 —• Modrý	4 • N	5 —• Žltozelený

Obrázok (3)

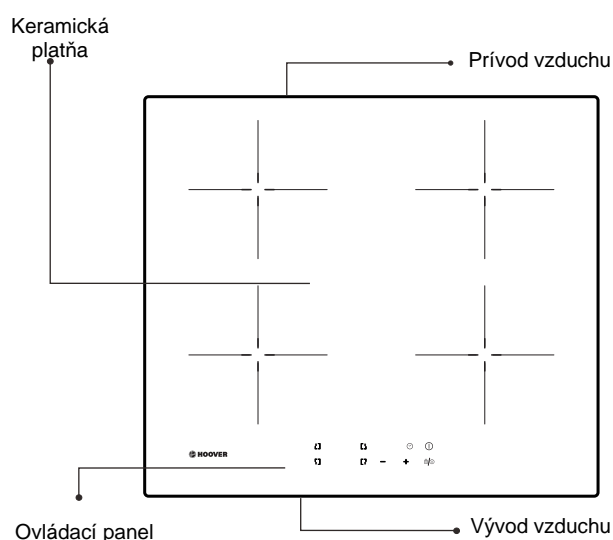
V záujme predchádzania nehodám by poškodený kábel alebo kábel, ktorý vyžaduje výmenu, mal vymieňať výhradne popredajný servisný technik s použitím vhodných nástrojov.

Ak sa zariadenie pripája priamo k sieti, musí sa nainštalovať všepólový istič s minimálnou medzerou medzi kontaktmi 3 mm.

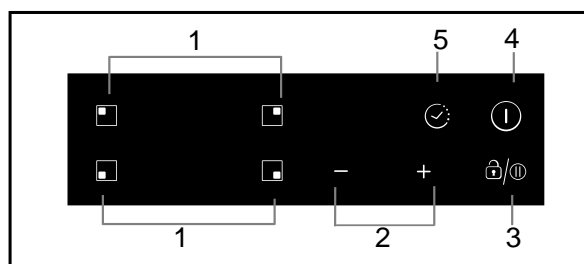
Inštalatér musí zaistiť správne elektrické pripojenie a súlad s bezpečnostnými predpismi.

Kábel sa nesmie ohýbať ani stláčať. Kábel sa musí pravidelne kontrolovať a výmenu smie vykonať len odborne spôsobilá osoba.

## Nákres indukčnej varnej dosky:



### Schematický nákres ovládacieho panela



- Ovládače výberu ohrevnej zóny
- Tlačidlo na ovládanie výkonu/časomeru
- Ovládač uzamknutia tlačidiel/prerušenia varenia
- Vypínač
- Ovládač časovača
- Ovládač flexibilnej zóny (nie je na všetkých modeloch)

## Pokyny na používanie

### Príprava pred použitím:

Keď sa zapne napájanie, zvuková signalizácia zaznie jedenkrát a všetky indikátory sa na jednu sekundu zobrazia, a potom zase zmiznú. Varná doska je teraz v pohotovostnom režime. Položte hrniec uprostred varnej zóny.

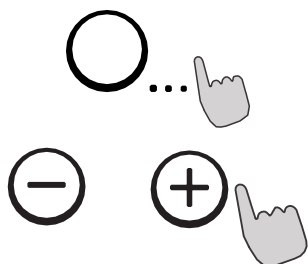


### Prevádzkové pokyny

Po stlačení tlačidla ZAP./VYP. všetky indikátory ukazujú „-“. Zvoľte úroveň výkonu príslušnej platne stlačením tlačidla „+“ alebo „-“. Začnite s indikátorom nastaveným na hodnotu „5“. Nastavujte nahor alebo nadol stláčaním „+“ alebo „-“. Ak stlačíte tlačidlá „+“ a „-“ súčasne, nastavenie výkonu sa vráti na „0“ a varná zóna sa vypne.

V tabuľke na strane 6 sú uvedené výkony pre každú varnú zónu.

**Poznámka:** Stlačením tlačidla ZAP./VYP. sa indukčná varná doska vráti do pohotovostného režimu v prípade, ak sa do jednej minúty nevykoná žiaden ďalší úkon.



### Funkcia časovača

Po stlačení tlačidla časovača začne jeho indikátor blikať. Potom nastavte čas medzi 1 a 99 minútami stlačením tlačidla „+“ alebo „-“. Každým stlačením tlačidla „+“ sa čas o jednu minútu predĺži. Každým stlačením tlačidla „-“ sa čas o jednu minútu skráti. Keď nastavený čas prekročí 99 minút, automaticky sa vráti na

„0“ minút. Po súčasnom stlačení tlačidiel „-“ a „+“ sa na indikátore zobrazí „0“.



### Potvrdenie časovača

1. Vyberte úroveň výkonu varnej zóny a stlačte tlačidlo „Časovač“. Teraz môžete nastaviť časovač.
2. Keď indikátor časovača bliká 5 sekúnd, nastavený čas sa automaticky potvrdí.
3. Po výbere potvrdte nastavený čas stlačením tlačidla „Časovač“.
4. Po potvrdení „Časomeru“ sa dolu vpravo pri úrovni výkonu zvolenej zóny zobrazí bodka.

### Zrušenie časovača

Po opätovnom nastavení času podržte na 5 sekúnd tlačidlo „Časovač“. Časovač sa zruší a indikátor sa vráti na „0“.

### Bezpečnostný režim

Z dôvodu zabezpečenia bezpečnosti detí je indukčná varná doska vybavená uzamykacím zariadením.

Uzamknutie: podržte stlačené tlačidlo „Zámok“. Varná doska prejde do režimu uzamknutia, na časovači sa zobrazí „Lo“ a zvyšok tlačidiel (okrem tlačidla „ZAP./VYP.“) sa deaktivuje.

### Odomknutie

Podržte stlačené tlačidlo „Zámok“ na 2 sekundy. Varná doska prejde do normálneho režimu.



## Režim posilňovača (Nie pre modely CIB632C a ZIB632C)

Dotknite sa ovládača voľby zóny ohrevu, potom sa dotknite „9“. Uistite sa, že na displeji sa zobrazuje „9“. Znovu sa dotknite tlačidla „+“, indikátor zóny zobrazuje „b“ a výkon dosiahne Max



## Zrušenie režimu posilňovača

Dotknite sa tlačidla „-“, aby sa zrušila funkcia posilňovača, obnoví sa tým pôvodné nastavenie varnej dosky. Dotknite sa naraz ovládačov „-“ a „+“. Varná zóna sa vypne a funkcia posilňovača sa automaticky zruší.



- Po 5 minútach sa obnoví pôvodné nastavenie varnej zóny

**Poznámka:** Niekoľko minút pred varením sa odporúča zapnúť odsávanie pary a niekoľko minút po ukončení varenia odsávanie vypnúť.

## Režim pauzy

- Namiesto vypnutia varnej dosky môžete prerušiť ohrev.
- Po aktivácii režimu pauzy sa deaktivujú všetky ovládače, okrem vypínača.

Aktivácia režimu pauzy	
Dotknite sa ovládača zámky/pauzy.	Všetky indikátory zobrazia „11“
Odomknutie ovládačov	
Dotknite sa ovládača zámky/pauzy.	



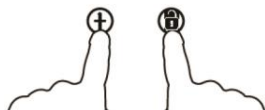
Keď je varná doska v režime uzamknutia, budú deaktivované všetky ovládače okrem vypínača (I), v prípade núdze budete môcť indukčnú varnú dosku (I) vypnúť.

## Funkcia ovládania výkonu

- pre indukčnú varnú dosku môžete nastaviť maximálnu úroveň absorpcie pre výkon zvolením rôznych rozsahov výkonu.
- indukčné varné dosky sú schopné obmedziť automaticky svoj výkon, aby pracovali pri nižšom výkone a zabránili tak preťaženiu.

### Aktivácia funkcie ovládania výkonu

Zapnite varnú dosku a stlačte súčasne tlačidlo „+“ (časomer) a tlačidlo zamknutia klávesov.



Na indikátore časomeru sa zobrazí „P5“, čo znamená úroveň výkonu 5. Predvolený režim je 7,0 kW/7,1 kW.

### Ak chcete prepnúť na inú úroveň

Stlačte +/- na časomere. K dispozícii je 5 úrovní výkonu, od „P1“ po „P5“. Indikátor časomeru zobrazí jednu z nich.

„P1“: maximálny výkon je 2,5 kW.

„P2“: maximálny výkon je 3,5 kW.

Na indikátore časomeru sa zobrazí „P5“, čo znamená úroveň výkonu 5. Predvolený režim je 7,0 kW/7,1 kW.

„P3“: maximálny výkon je 4,5 kW.

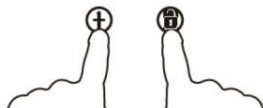
„P4“: maximálny výkon je 5,5 kW.

„P5“: maximálny výkon je 7,0 kW/7,1 kW.

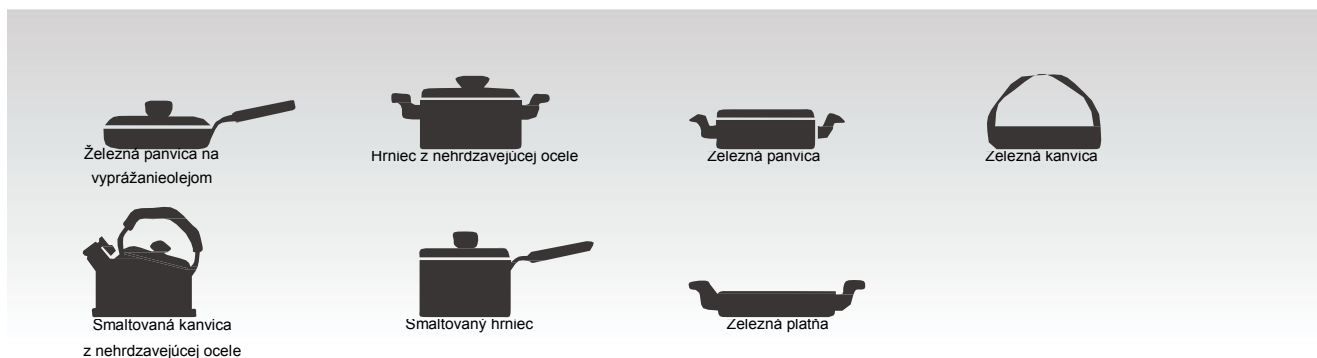


### Potvrdenie a výstup z funkcie ovládania výkonu

Stlačte súčasne + (časomer) a tlačidlo zamknutia klávesov na potvrdenie.



Varná doska sa tým vypne.



Môžete mať mnoho rôzneho varného riadu

- 1 Táto indukčná varná doska dokáže identifikovať rôzny varný riad, ktorý môžete otestovať jedným z nasledujúcich spôsobov:  
Postavte nádobu na varnú zónu. Ak zodpovedajúca varná zóna zobrazí úroveň výkonu, tak je nádoba vhodná. Ak bliká „U“, nádoba nie je vhodná na používanie na indukčnej varnej doske.
- 2 Podržte pri nádobe magnet. Ak sa magnet pritiahne k nádobe, je vhodná na používanie na indukčnej varnej doske.  
Poznámka: Dno nádoby musí obsahovať magnetický materiál.  
Musí mať rovné dno s priemerom viac ako 14 cm.
- 3 Používajte hrnce, ktorých priemer je taký veľký, ako obrys zvolenej zóny.  
Používaním trochu širšieho hrnca sa bude využívať energia s maximálnou účinnosťou. Ak budete používať menší hrnec, účinnosť môže byť menšia, než sa očakávalo. Hrnec užší než je 140 mm nemusí varná doska zaznamenať.

## Čistenie a údržba

Povrch indukčnej varnej dosky sa dá ľahko čistiť nasledujúcim spôsobom:

Typ znečistenia	Spôsob čistenia	Čistiace materiály
Svetlo	Ponorte do horúcej vody a vyutierajte dosucha.	Čistiaca hubka
Kruhy a vodný kameň	Na plochu naneste biely ocot, utrite ju mäkkou handričkou alebo použite bežne predávaný prostriedok	Špeciálna príľnavá látka pre sklokeramiku
Cukríky, roztavený hliník alebo plast	Na odstránenie zvyškov použite špeciálnu škrabku pre sklokeramiku (najlepší je silikónový produkt)	Špeciálna príľnavá látka pre sklokeramiku

Poznámka: Pred čistením odpojte zariadenie od elektrickej siete.

## Zobrazenie chýb a kontrola

Ak dôjde k neštandardnej prevádzke, indukčná varná doska sa automaticky prepne do ochranného režimu a zobrazí jeden z nasledujúcich kódov:

Porucha	Možná príčina	Riešenia
F0/F1/F2	Porucha ventilátora	Kontaktujte dodávateľa
F3-F8	Porucha teplotného snímača	Kontaktujte dodávateľa
E1/E2	Neštandardné napätie v napájaní	Skontrolujte, či je napájanie normálne. Zariadenie zapnite, keď sa obnoví normálny stav napájania.
E3/E4	Neštandardná teplota	Skontrolujte hrniec
E5/E6	Zlé vyžarovanie tepla vo varnej zóne	Znovu spustite po ochladení varnej zóny

Vyššie uvedená tabuľka ukazuje, ako posudzovať a kontrolovať bežné problémy. Zariadenie nedemontujte sami, pretože môžete poškodiť indukčnú varnú dosku.

## Zákaznícky servis

Ak sa vyskytne problém, predtým než budete kontaktovať popredajný servis, skúste nasledujúce:

- Skontrolujte, či je spotrebič správne pripojený.
- Prečítajte si predchádzajúcu tabuľku o chybách a zobrazeniach.

Ak stále nemôžete vyriešiť problém, zariadenie vypnite, nepokúšajte sa ho demontovať a kontaktujte popredajný servis.

## Špeciálne vyhlásenie

Obsah tohto návodu bol dôkladne skontrolovaný. Spoločnosť však nenesie zodpovednosť za žiadne tlačové chyby alebo opomenutia.

Vyhradzujeme si tiež právo na technické zmeny v upravenej verzii návodu bez upozornenia. Vzhľad a farba zariadenia v tomto návode sa môže odlišovať od konkrétneho výrobku.



**LIKVIDÁCIA:** Tento produkt sa nesmie likvidovať ako netriedený komunálny odpad. Potrebne je zaistiť jeho samostatný zber pre osobitné spracovanie.

Toto zariadenie je označené podľa európskej smernice 2012/19/ES o odpade z elektrických a elektronických zariadení (OEEZ).

Správnou likvidáciou tohto zariadenia zabránite možnému poškodeniu životného prostredia a ľudského zdravia, k čomu by inak mohlo dôjsť v dôsledku jeho nesprávnej likvidácie.

Symbol na produkte znamená, že sa s ním nesmie zaobchádzať ako s bežným domovým odpadom. Odneste ho na zberné miesto určené na recykláciu elektrických a elektronických zariadení.

Toto zariadenie vyžaduje špeciálny spôsob likvidácie. Ak potrebujete ďalšie informácie o spracovaní, obnove a recyklácii tohto produktu, obráťte sa na miestnu samosprávu, služby na likvidáciu domového odpadu alebo na predajňu, v ktorej ste produkt zakúpili.

Ak potrebujete podrobnejšie informácie o spracovaní, obnove a recyklácii tohto produktu, obráťte sa na mestskú samosprávu, služby na likvidáciu domového odpadu alebo na predajňu, v ktorej ste produkt zakúpili.

