

E Montaje y modo de empleo

P Instruções para montagem e utilização

F Prescriptions de montage et mode d'emploi

GB Instruction on mounting and use

D Montage- und Gebrauchsanweisung

NL Montagevoorschriften en gebruiksaanwijzing

I Istruzioni di montaggio e d'uso

GR ΟΔΗΓΙΕΣ ΤΟΠΟΘΕΤΗΣΗΣ ΚΑΙ ΧΡΗΣΗΣ

PL INSTRUKCJE MONTAŻU I UŻYTKOWANIA

CZ NÁVOD K MONTÁŽI A POUŽITÍ

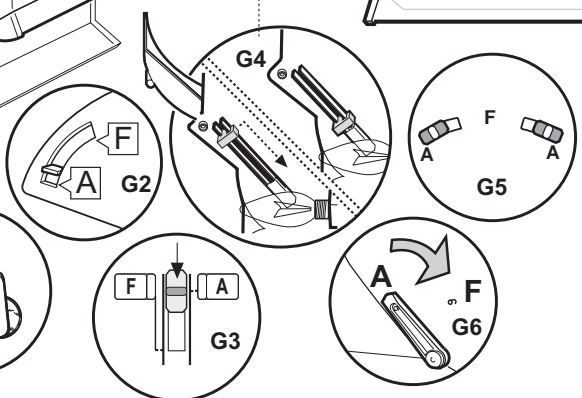
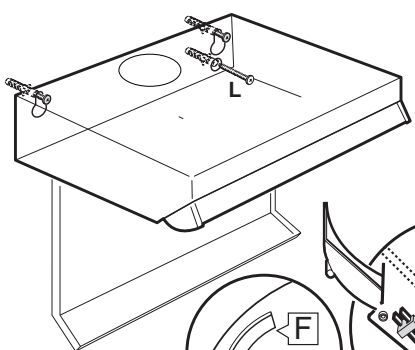
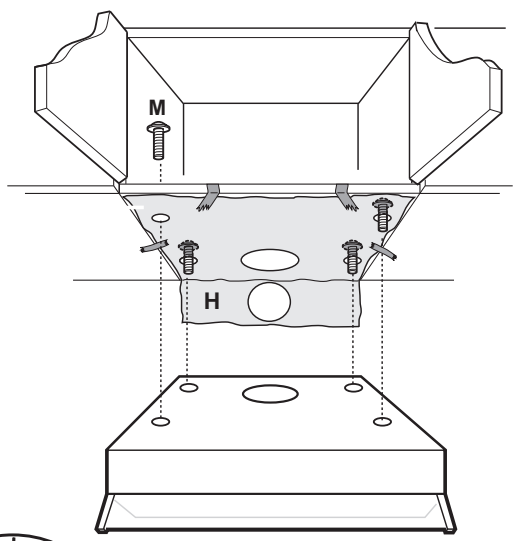
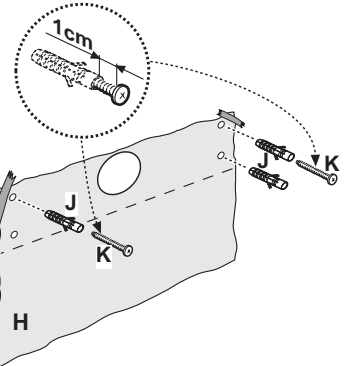
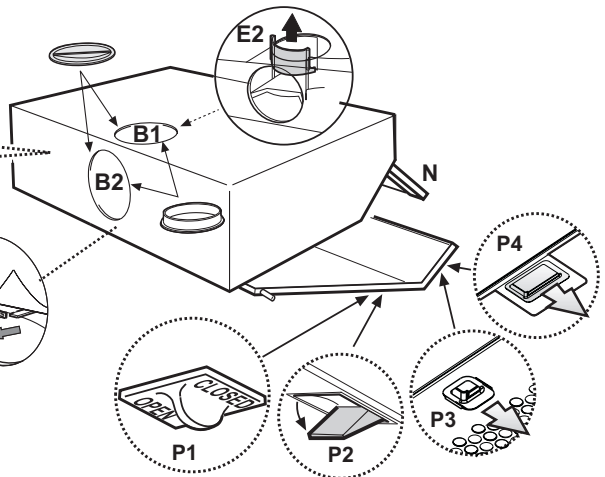
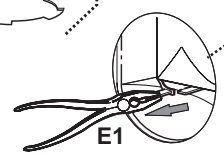
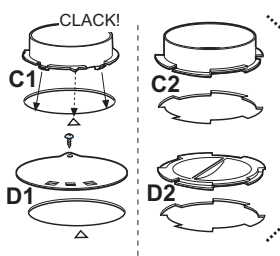
SK NÁVOD K MONTÁŽI A UŽITÍ

H FELSZERELÉSI ÉS HASZNÁLATI UTASÍTÁS

RU Инструкция по монтажу и эксплуатации

BG УКАЗАНИЯ ЗА МОНТАЖ И УПОТРЕБА

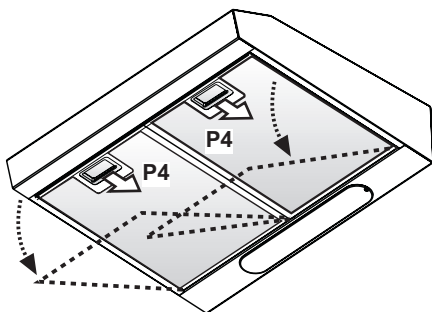
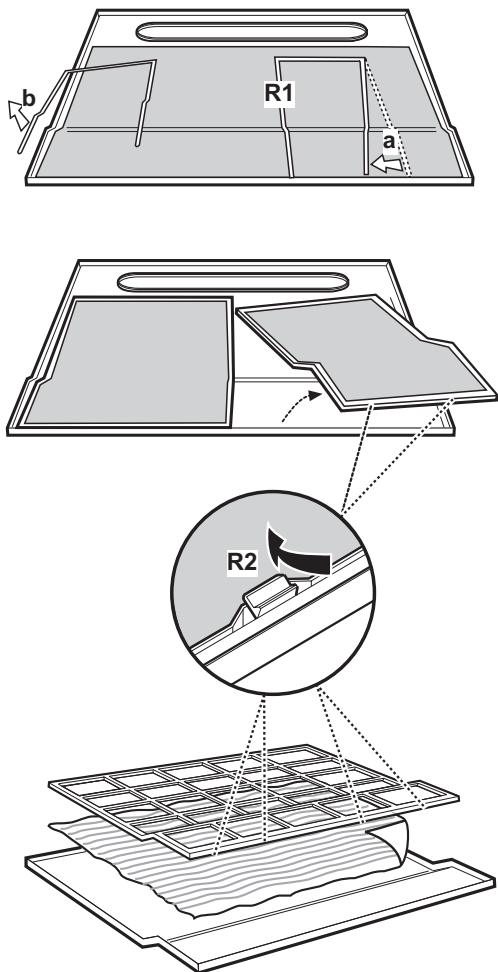
RO INSTRUCTII DE MONTAJ SI FOLOSIRE



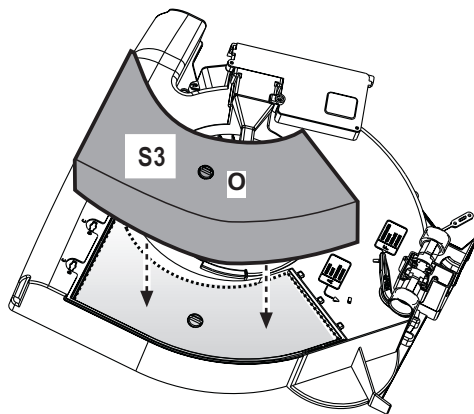
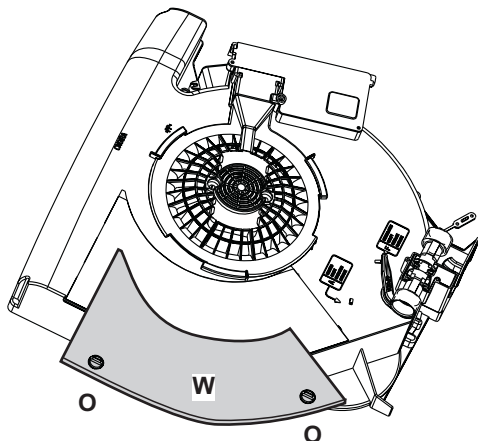
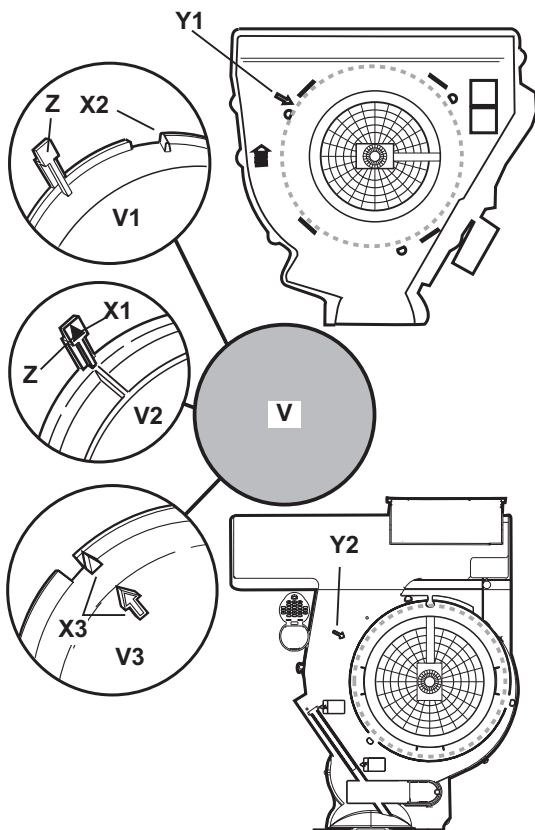
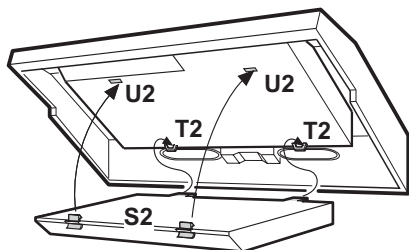
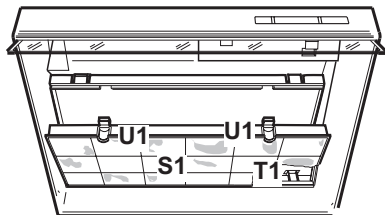
Filtrograsas
Filtrogorduras
Filtre a graisse
Grease Filter
Fettfilter
Vetfilter

Filtrograssi
Φίλτρο λιπών
Filtr przeciw tłuszczowy
Filtrprotimastnotám
Zsírszűrő
Фильтр задержки жира
Филтър за мазнини
Filtru grasimi

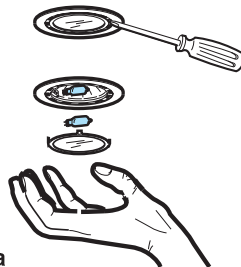
Filtro metálico autoportante.
Filtro metálico autoportante
Filtre métallique autoportant
Self-supporting metal filter
Selbsttragender Metallfilter
Zelfdragend metalen vetfilter
Filtro metallico autoportante
Μεταλλικό φίλτρο αυτομεταφερομενο
Filtr metalowy samonośny
Samonosný kovový filtr/filter
Önhordó fémszűrő
Фильтр металлический самонесущий
Самодържач се метален филтър
Filtru metalic autoportant



Filtro al carbón	Φίλτρο από ανθρακα
Filtro de carvão ativado	Filtr węglowy
Filtre au charbon	Uhlíkový filtr
Carbon Filter	Szénfilter
Aktivkohlefilter	Угольный фильтр
Koolstoffilter	Вугленов филтър
Filtro al carbone	Filtru cu carbon



Lámpara halógena
 Lâmpada de halogéneos
 Lampe halogène
 Halogen lamp
 Halogenlampe
 Halogeenlamp
 Lampada alogena
 Λαμπα αλογονα
 arówka halogenowa
 Halogenové svítidlo
 Ηαλογένιζζό
 Галогенная лампа
 Халогенна лампа
 Bec halogen



Consult the designs in the front pages referenced in the text by alphabet letters. **Closely follow the instructions set out in this manual.** All responsibility, for any eventual inconveniences, damages or fires caused by not complying with the instructions in this manual, is declined.

The cooker hood has an upper air duct **B1** and an optional rear air duct **B2**, for external fumes exit.

Select the suitable air duct and apply the flange **C** supplied, ensured to close the unused hole duct with **tap D** supplied if provided.

Caution! In some models the rear hole duct is not easily accessible, even when the tap (if mounted) is removed, in this case remove the plastic piece **E1** or **E2** that is blocking the hole duct, by unwinding using pliers and cutter. Check that the **filter/suction selector** (inside the cooker hood) **G** is in the **suction (A)** position. In the case where it is not possible to discharge the cooking fumes externally, the cooker hood may be used in the **filter version** by fixing a carbon filter, the fumes and vapours are recycled via the anterior grill placed above the control panel. Check that the **suction/filter selector** is in the **filter (F)** position.

The models provided without suction motor may function only in the suction version and must be connected to a peripheral suction unit (not supplied).

Installation - Do not tile, grout or silicone this appliance to the wall. Surface mounting only. Do not fix chimney flue to furniture or fly over shelves unless the chimney flue can be easily removed, in case maintenance is ever required. The cooker hood must be placed at a minimum distance of 60 cm from the cooking plane for electric cookers and 75cm for gas or mixed cookers. The cooker hood may be installed on the wall or on the base of a cabinet; if supplied, use the hole gauge **H** to drill the correct distance, otherwise lean the cooker hood on the wall or on the base of the cabinet and mark the holes with a pencil.

Wall mounting - Insert the wall screw anchors **J** in the drilled holes and the two **K** screws in the upper drill holes, remove the grill and hook the cooker hood to the 2 screws, finally from the inside, insert the third screw **L** and lock them all in.

Cabinet fixing - Affix the cooker hood with the 4 **M** screws from inside the cabinet.

Electrical connection - The electrical tension must correspond to the tension noted on the label placed inside the cooker hood. Connect the electrical plug, where provided, to the an easily accessible outlet in conformity with local standards in force. Where an electrical plug is not provided (for direct connection to electrical network) place a standards approved bipolar switch with an aperture distance of not less than 3mm (accessible) from the contacts.

Operation - The control panel is situated on the front of the cooker hood and is equipped with various suction speeds. Use the highest speed for situations of high level vapour concentration in cooking. Always open the **vapour collector N**. It is advisable to switch on the suction at least 5 minutes prior to cooking and leave it in operation for 15 minutes approximately after cooking is terminated.

Maintenance - Prior to any maintenance operation ensure that the cooker hood is disconnected from the electrical outlet.

Cleaning - The cooker hood should be cleaned regularly internally and externally. For cleaning use a cloth moistened with denatured alcohol or neutral liquid detergents. Avoid abrasive detergents. Failure to carry out the basic standards of the cleaning of the cooker hood and replacement of the filters may cause fire risks.

Grease Filter – may be one of the following types:

Paper filter must be replaced once a month or if coloured on the top side, when the coloration is evident via the holes in the grill.

Sponge filter should be washed once a month and replaced every 5/6 washes.

Metallic filter must be cleaned once a month with suitable detergents either by hand or in dishwasher (65°C).

When washed in a dish washer, the grease filter may discolour slightly, but this does not affect its filtering capacity.

In order to remove the grease filter **open the grill** via the **P** hooks and free the **R1** or **R2** stoppers.

The self-supporting metal filter does not include a support grill, in order to remove the filter – pull the release springs **P4** backwards and slide the filter downwards.

Attention! the metal filter may discolour if washed in dishwasher but the filtering performance is unaltered.

Carbon Filter - it may be one of the following types:

Rectangular S1 or S2 or S3: to be replaced every 6 months
Mounting (S1 or S2) : insert the rear side **T** and hook further to the front (**U**).

Mounting (S3): Remove the cover **W** by rotating the **O** knobs to 90° , then close the cover. Proceed in the inverse for dismounting.

Circular (V1-V2-V3-various models): to be replaced every 4 months.

Bayonet mount position the filter in the middle of the motor protection grill covering ensuring that the reference to **X1** or **X2** or **X3** on the carbon filter match the **Y1** or **Y2** references on the conveyor, then turn clockwise; in case of dismounting turn anticlockwise, if provided with a **Z** tape remember to gently lift first.

Replacing lightbulbs 40W - Unscrew the damaged light bulb and replace with an incandescent oval light bulb with a maximum of 40W E14. Remove the grill in order to reach the light bulb area.

Replacing the halogen bulbs - Access the light compartment – extract the lamp cover by levering it off with a small screwdriver or similar tool.

Warning! Prior to touching the light bulbs ensure they are cooled down. Replace the damaged light bulb. Only use halogen bulbs of 20W max (G4), making sure you do not touch them with your hands. Close the lamp cover (it will snap shut).

Caution - This appliance is designed to be operated by adults. Children should not be allowed to tamper with the controls or play with the appliance.

Do not use the cooker hood where the grill is not correctly fixed! The suctioned air must not be conveyed in the same channel used for fumes discharged by appliances powered by other than electricity. The environment must always be adequately aerated when the cooker hood and other appliances powered by other than electricity are used at the same time. Flambé cooking with a cooker hood is prohibited. The use of a free flame is damaging to the filters and may cause fire accidents, therefore free flame cooking must be avoided. Frying of foods must be kept under close control in order to avoid overheated oil catching fire. Carry out fumes discharging in accordance with the regulations in force by local laws for safety and technical restrictions.