

ARMADIO E ARMADIO CON CELLA FREEZER	da pag. 2 a pag. 5	IT
FRIDGE AND FRIDGE WITH FREEZER	page 6 to page 9	EN
REFRIGERATEUR TOUT UTILE ET 4*	de page 10 à page 13	FR
KÜHLSCHRANK UND KÜHLSCHRANK MIT GEFRIERSCHRANK.....	Seite 14 bis 17	DE
FRIGORÍFICO Y FRIGORÍFICO CON CONGELADOR.....	de pág. 18 a pág. 21	ES
FRIGORÍFICO E FRIGORÍFICO COM CONGELADOR	de pág. 22 à pág. 25	PT
ΨΥΓΕΙΟ ΚΑΙ ΨΥΓΕΙΟ ΜΕ ΘΑΛΑΜΟ	από σελ. 26 έως. 29	EL
CHŁODZIARKA I CHŁODZIARKO-ZAMRAŻARKA.....	od str. 30 do str. 33	PL
CHLADNIČKA A CHLADNIČKA S MRAZNIČKOU.....	str. 34 až str. 37	CZ
KOELKAST EN KOELKAST MET DIEPVRIESCOMPARTIMENT	van pagina 38 tot pagina 41	NL
JÄÄKAAPPI JA JÄÄKAAPPI-PAKASTIN	sivu 42 - 45	FI
KJØLESKAP OG KOMBISKAP	side 46 til 49	NO
KYLSKÅP OCH KYLSKÅP MED FRYSS.....	från sida 50 till sida 53	SV
KØLESKAB OG KØLESKAB MED FRYSER.....	fra side 54 til side 57	DA

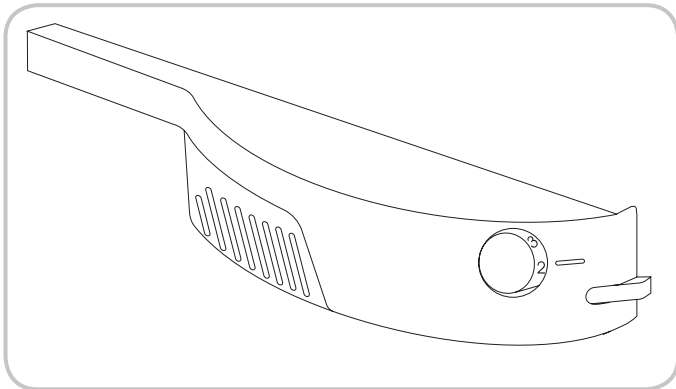


LARDER & FRIDGE

CONTROL PANEL

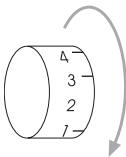
In order to access and adjust the temperature of the fridge and freezer, it is necessary to turn the dial on the thermostat box. The thermostat box is placed inside the fridge on the top right-hand side.

Setting the dial to „0“ will turn the appliance off. Reduce the temperature by turning the dial from position 1 to 5. We recommend you set the temperature to 2 or 3.



DEFROSTING

Important: If the room temperature is very warm, the appliance may work continuously and a layer of frost will deposit on the back of the fridge compartment. In this case it is necessary to turn the dial to lower settings (1-2).



The fridge compartment is automatically defrosted when the compressor is Inactive.



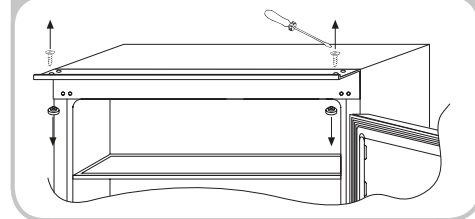
A small amount of frost or drops of water on the back of the fridge compartment.

Make sure the water outlet is always clean. Make sure foods do not touch the back or sides of the fridge compartment.

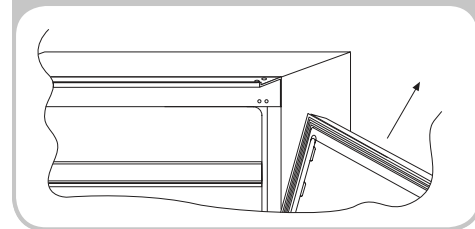
N.B. This is the rating plate. If you need to contact our Service Department in the event of faults, remember to give them the information on the plate.

REVERSING THE OPENING OF THE DOORS

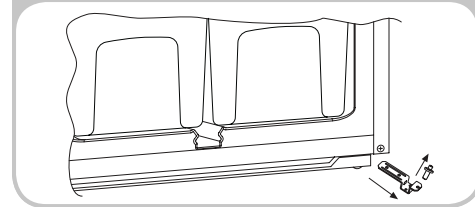
Remove the pin and the corresponding bush of the top crossbar.



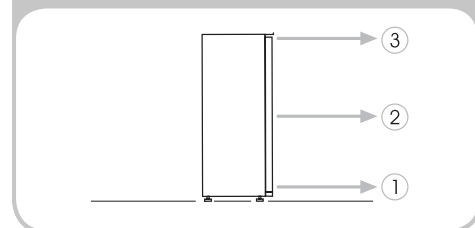
Remove the top door.



Remove the pin of the bottom right-hand side hinge and remount it on the bottom left-hand side hinge.



Reassemble the hinges and doors working from bottom to top 1 → 2 → 3.



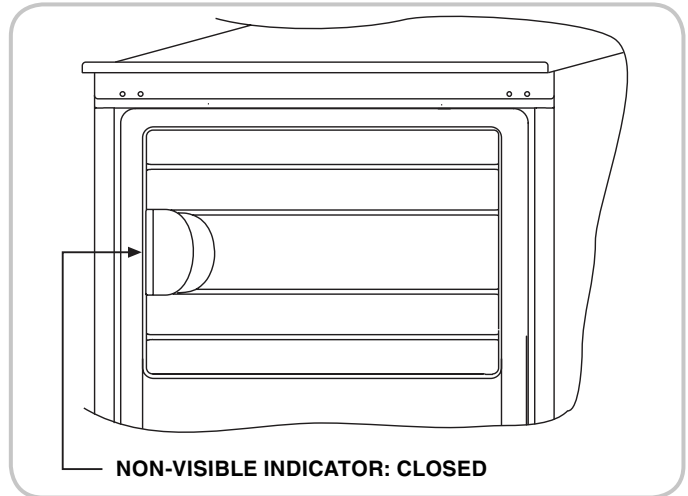
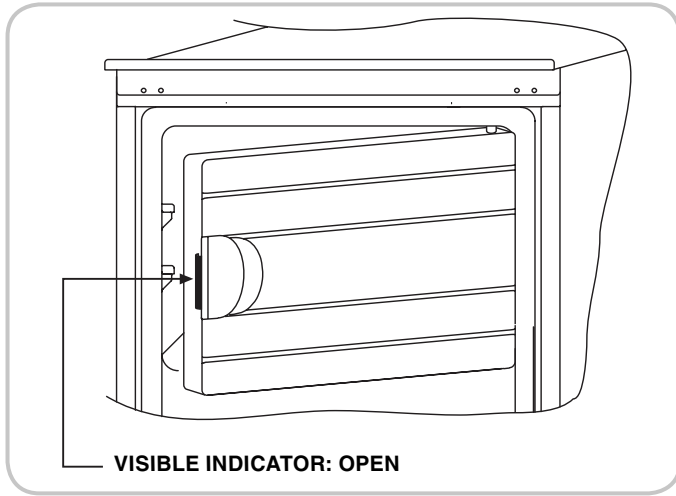
FREEZER COMPARTMENT

Some products are equipped with a freezer compartment. The following notes are specific to this type of products.

FREEZING

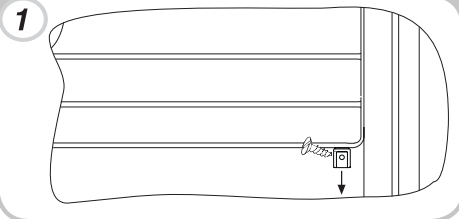
This product is equipped with a section ******* in the top part of the product (see quick guide). Food requires 24 hours storage in the freezer compartment to reach the desired level of freezing.

N.B. In order to make sure that the freezer door is properly closed, check that the coloured door opening indicator is not visible.

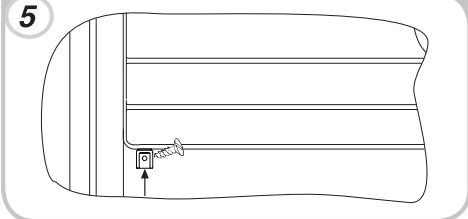


REVERSING THE OPENING OF THE FREEZER COMPARTMENT

Disassemble the bottom right-hand hinge.



Position the door and hinge first and then screw the latter to the product.



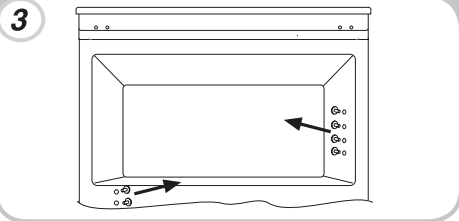
Unscrew the hook positioned on the left-hand side of the freezer compartment.



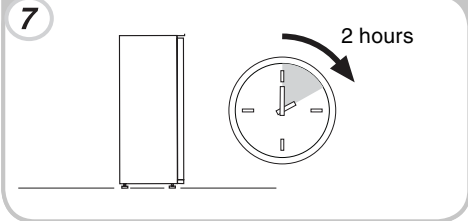
Screw the hook on the right-hand side of the freezer compartment.



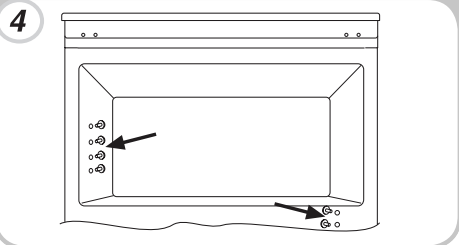
Remove the hole cover plugs, as indicated in the figure.



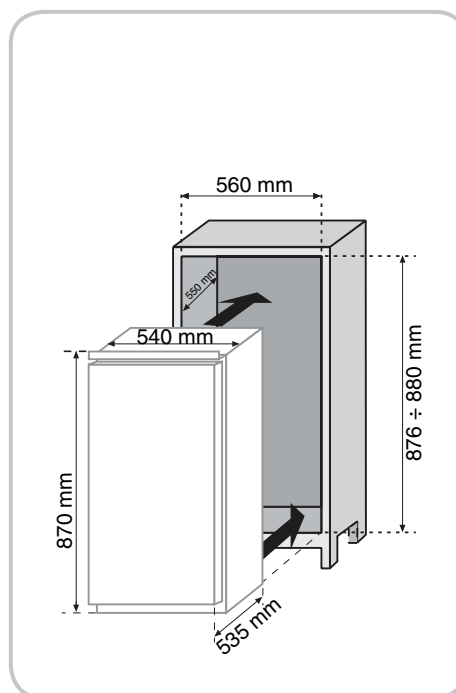
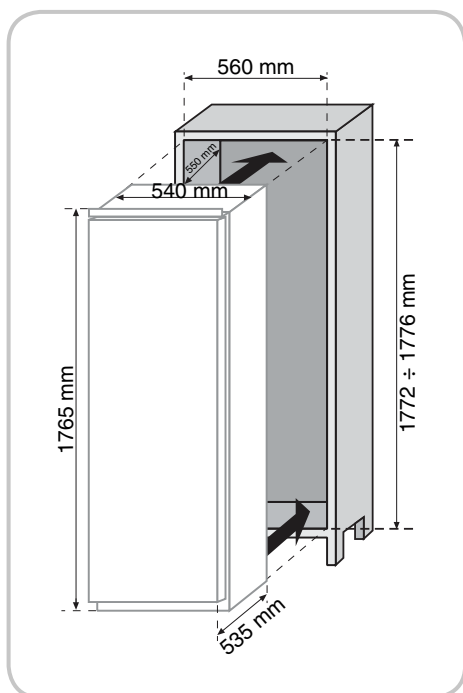
Put the appliance in an upright position and wait two hours before turning it on.



Insert the plugs as indicated in the figure.

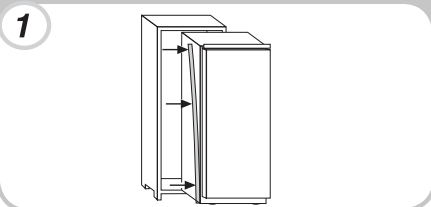


SIZE OF THE APPLIANCE AND HOUSING UNIT

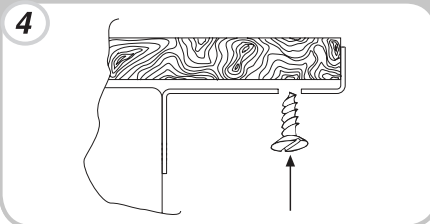


INSTALLATION OF THE APPLIANCE IN THE COLUMN

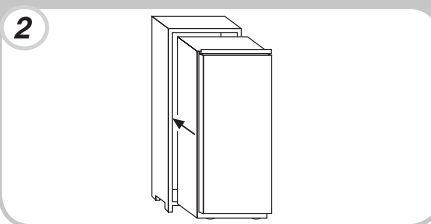
Fasten the gasket equipped with the appliance on the opposite side of the hinges.



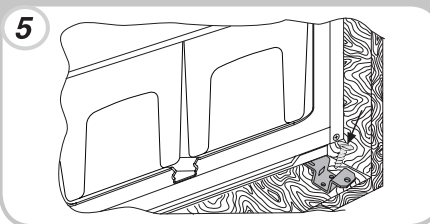
Fasten the top part of the appliance to the cabinet, using the screws provided.



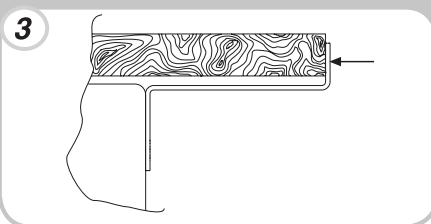
Insert the appliance in the column, placing it on the opposite side of the hinges.



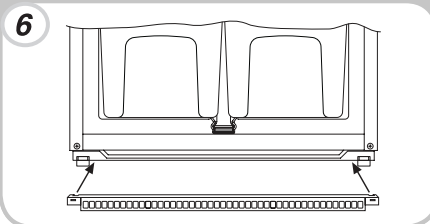
Fasten the bottom part of the appliance with the screws provided.



Make sure that the top plate of the cabinet fits perfectly into the cabinet.



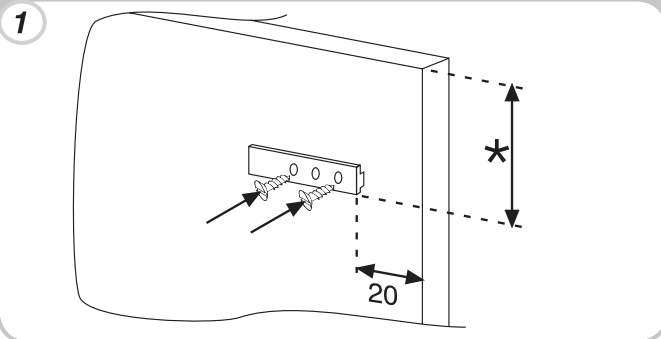
Apply the ventilation grill.



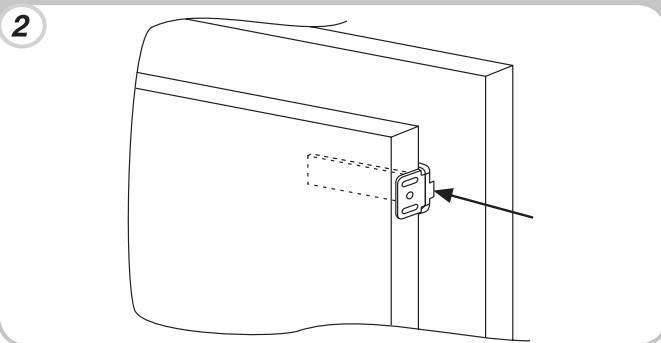
COUPLING OF THE BUILT-IN COLUMN PANELS TO THE DOORS OF THE APPLIANCE

The appliance is equipped with coupling devices for the appliance doors with the column panels (drive sleds).

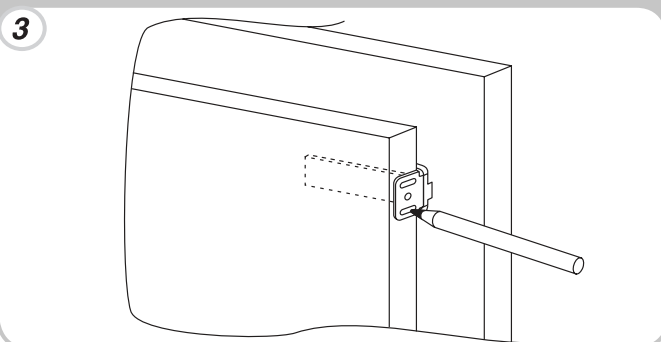
Fasten the sled in the inner part of the built-in column panel at the desired height and at approx. 20 mm from the outer wire of the door.



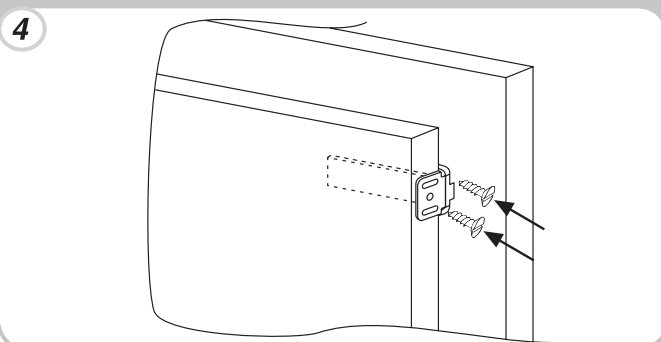
Open the doors of the built-in column and the fridge. Position the built-in loader in the slide, then fit it into the fridge door.



Mark the fixing points for the screws and drill with a bit of a diameter of 2.5.



Connect the appliance door to the cabinet panel having the sled slots as references.



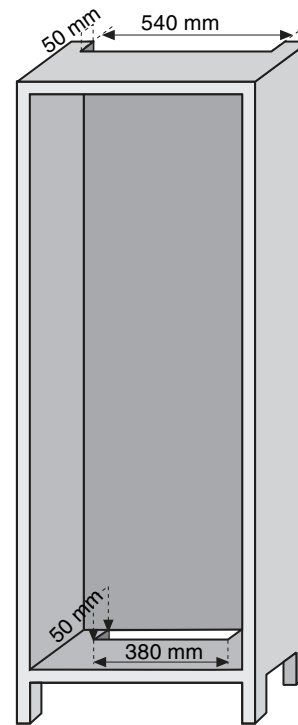
PRECAUTIONS FOR THE CORRECT FUNCTIONING

Once the product has been built in, position the rear part of the column in contact with the wall so as to prevent access to the compressor compartment.

For the product to operate correctly it is essential to allow adequate air circulation so as to cool down the condenser located in the rear part of the appliance.

For this reason, the column must be equipped with a rear chimney, whose upper opening must not be blocked and with a front slot which will be covered with a ventilation grill.

Dimensions of the column lock-pickings.



Dimensions of the gap to be left between the column and the ceiling.

