



GENERATION FUTURE

FREEJET



ENGLISH	GB	6-7
FRANÇAIS	FR	8-9
ITALIANO	IT	10-11
DEUTSCH	DE	12-13
PORTUGUÊS	PT	14-15
ESPAÑOL	ES	16-17
VLAAMS/NEDERLANDS	BE/NL	18-19
POLSKI	PL	20-21
Русский	RU	22-22
عربي	AR	24-25
Ελληνικά	GR	26-27
SLOVENSKI	SI	28-29
DANSK	DK	30-31
SUOMI	FI	32-33
SVENSKA	SE	34-35
Česky	CZ	36-37
HRVATSKI	HR	38-39

USER INSTRUCTIONS

For information about this product, please contact one of the following Hoover subsidiaries

UK

HOOVER LTD Pentrebach, Merthyr Tydfil, Mid Glamorgan CF48 4TU
Gias Customer Service 08705 400600
Hoover Spares 01204 556111

ESPAÑA

Candy Hoover Electrodomesticos S.A
Ahumategui Bide s/n
20570 Bergara (Guipúzcoa)
Gias Customer Service (Servicio De Asistencia Técnica) 902 100 150

PORTUGAL

Candy Hoover Portugal, Lda.
Rua D. Estefânia 90A
1049-050 Lisboa
Tel: 021-318 97 00
Tel: 021 318 97 67

ITALIA

Zerowatt . Hoover S.p.A.
Sede commerciale: via Privata E. Fumagalli,
20047 Brugherio (Mi)
Tel +39 039 208655
servizioclienti@hoover.it
Gias Customer Service (Italia) 039 2086811

DEUTSCHLAND

Candy Hoover GmbH
Kaiserswerther Str. 83
D-40878 Ratingen
www.candy-hoover.de

Kundendienst
(Gias Customer Service Deutschland)
01805/ 62 55 62
(12 Cent/min)

ÖSTERREICH

Candy Hoover Austria GmbH
Mariahilferstrasse 176
A-1150 Wien
Tel: 01-897 33 00
Fax: 01-897 33 00 99
Kundendienst: 0820-220 224
(0,15 Euro/min)
E-Mail: verkauf@candy.at
www.hoover.at

SUISSE

CANDY HOOVER AG
Boesch 21
CH-6331 Hünenberg
Telefon: 041-7854040
Gias Customer Service 0848/780 780

FRANCE

Groupe Rosières SAS 13,rue Auger
93697 Pantin Cedex
Tel: 01-49159200
Ligne Service Consommateurs (France) 02.48.55.69.67

BELGIË

Candy Hoover Belgium
Haaschtsesteenweg 162B
1820 Melsbroek
Tel. : 02-752 94 11

Gias Customer Service 0903/99109

NEDERLAND

Candy Nederland BV
Argonweg 7-11
3812 RB AMERSFOORT
Tel: 033-4224000
Gias Customer Service (Nederland) 0900/9999109
www.hoover.nl

POLSKA

Candy Polska Sp. z o.o.
Ul. Hubera 7
02-230 Warszawa
Tel 022/6580177
Fax 022/6584271
Gias Customer Services
Tel 042-653 36 29
Fax 042-611 66 77

РОССИЯ

Представительство в СНГ:
109034, Россия, Москва,
Сеченовский пер.6 стр. 3
Тел: + 7-095-796.96.95
Факс: +7-095-796.96.94
Представительство в Украине:
01033, Украина, Киев, ул.
Володимирская 97/37
Тел: +38-044-490,59,54
Факс: +38-044-490,59,57

HOOVER LTD Pentrebach, Merthyr

المقر الرئيسي الأوروبي لشركة هوفر

Tydfil, Mid Glamorgan CF48 4TU

ΕΛΛΑΔΑ

ΑΦΟΙ Κ. ΣΑΡΑΦΙΔΗ Α.Ε.Β.Ε
ΑΘΗΝΑ
Αγαμέμνωνος 47, 176 75 Καλλιθέα
Τηλ: 210-9478700
Φαξ: 210-9428541
Service: 210-9478773
Αντ/κά: 210-9478775

Πανεπιστημίου 41 - Στοά Νικολούδη
Τηλ: 210-3222705
Φαξ: 210-3225770

ΘΕΣΣΑΛΟΝΙΚΗ

Αλ. Παπαναστασίου 53-55, 54 453
Θεσ/νίκη
Τηλ: 2310-923761 Φαξ: 2310-932115

SLOVENIJA

Candy Hoover d.o.o.
Letališka 35
1000 Ljubljana

ČESKO

CANDY CR s.r.o.
Karmelitská 18
118 00 Praha 1
Tel: 257 530 418

HRVATSKA

CANDY HOOVER ZAGREB
Savska cesta 64/II
10000 Zagreb
CROATIA
tel. 01 6176 242
fax. 01 6176 243

DANMARK

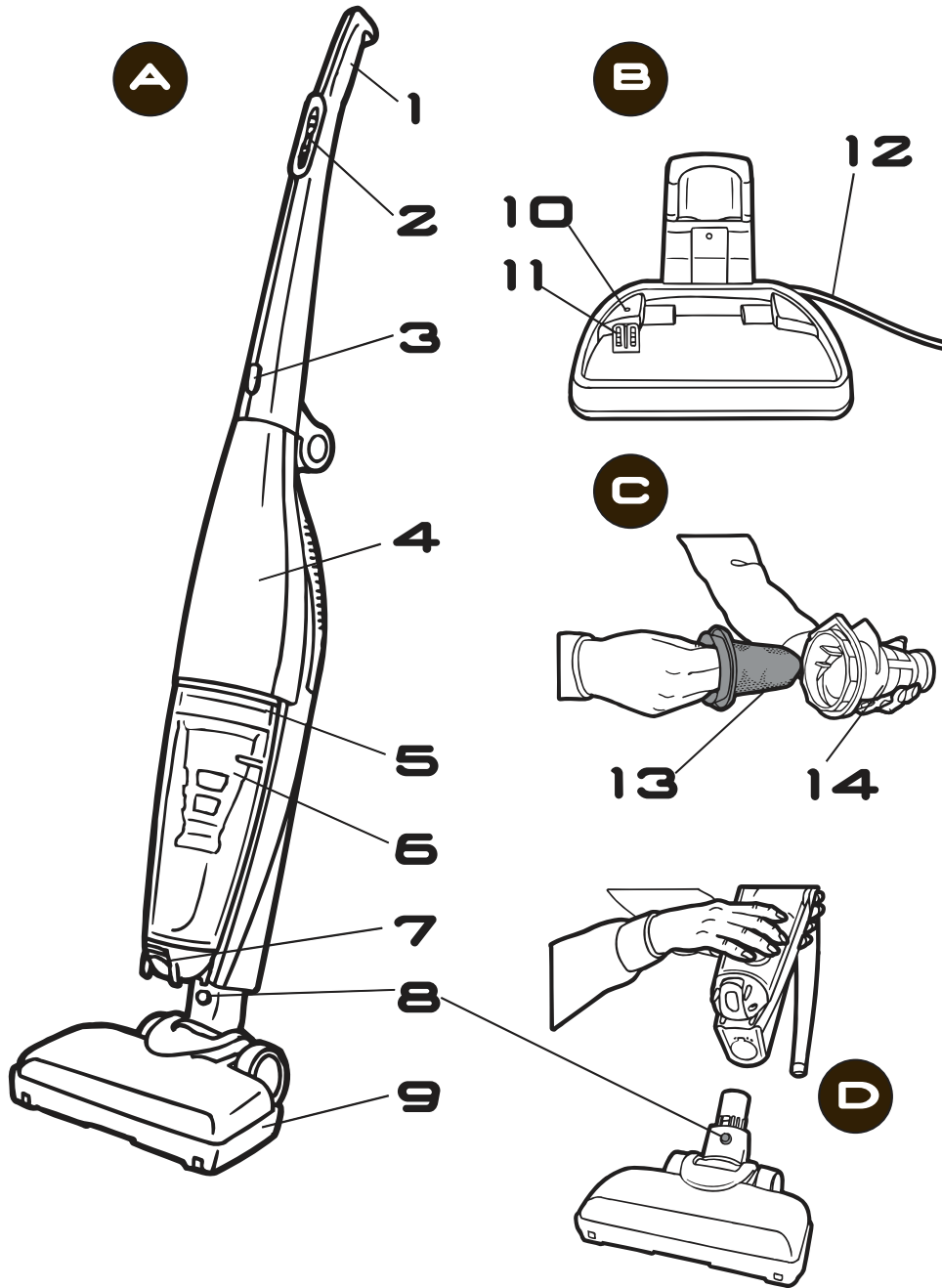
Candy Hoover A/S
Frydenborgvej 27K
DK-3400 Fredensborg
CVR-nr.: DK18777231
Tel.: +45 48 24 58 20
Fax service: +45 48 24 58 28/21

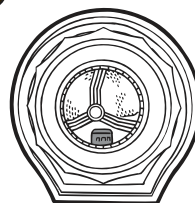
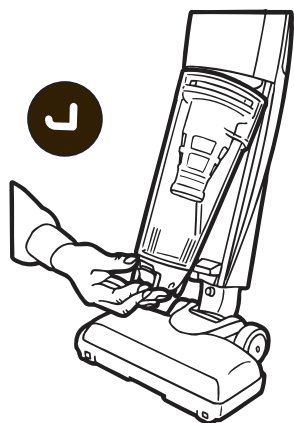
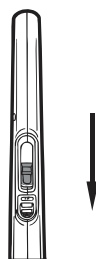
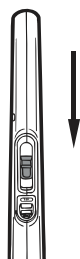
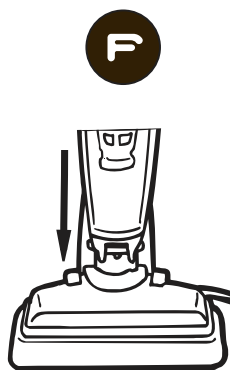
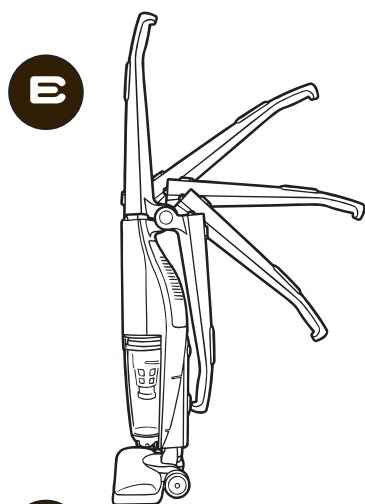
SVERIGE

HOOVER SERVICE
Telefon: 013-163510
Telefax: 013-154508
Candy-Hoover Oy
Lautamiehentie 3
02770 Espoo

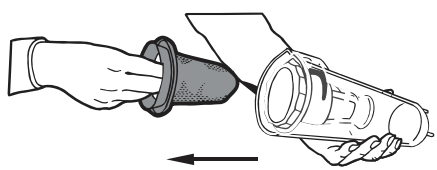
SUOMI

Candy-Hoover Oy
Lautamiehentie 3
02770 Espoo
puh. 09-4393000

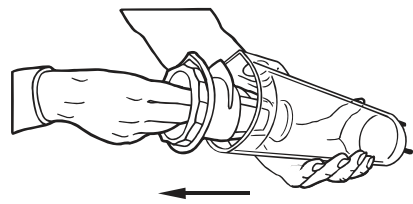




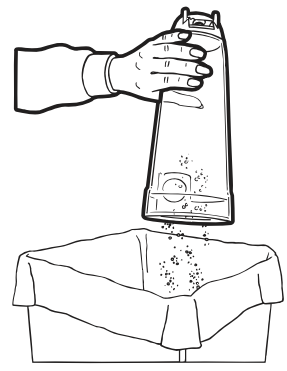
L



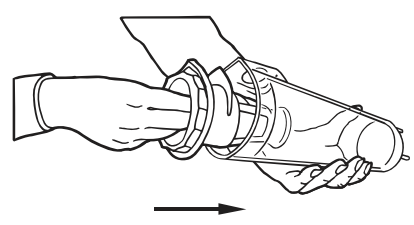
M



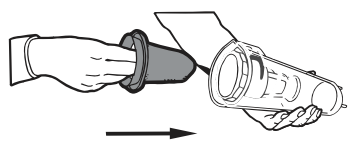
Z



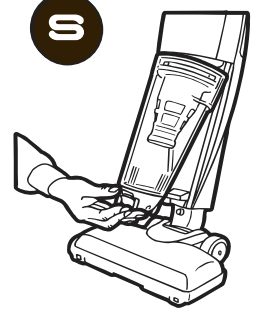
P



R



S



GB**PLEASE READ THESE INSTRUCTIONS CAREFULLY**

This cleaner should only be used for domestic cleaning as described in these instructions. Please ensure that these are fully understood before operating the appliance. The Charger Base is double insulated and must not be earthed.

ELECTRICAL REQUIREMENTS

This Hoover appliance is supplied with a double insulated battery charger which is only suitable for insertion in a 230V (UK 240V) socket outlet. Ensure that the charger rating label matches your voltage supply.

FEATURES**A****CLEANER ASSEMBLY**

1. Handle
2. On/Off and Selector Switch
3. Handle Release Button
4. Main Body
5. Dust Cup
6. Filter (Inside Dust Cup)
7. Dust Cup Release Button
8. Nozzle Release Button
9. Carpet & Floor Nozzle

B**CHARGING**

10. Indicator Light
11. Charger Contacts
12. Power Cord

C**FILTERS**

13. Filter
14. Filter Screen

PREPARING CLEANER FOR USE

- D** Line up Nozzle with Main Body and firmly push Nozzle into Main Body until the Nozzle locks into place.

NOTE: To remove Nozzle, push Nozzle Release Button **8** and pull nozzle away from Main Body.

- E** Fold Handle up until it locks into place.

NOTE: For storage purposes the Handle may be folded down by depressing Handle Release Button **3**.

CHARGING

NOTE: Use only the charger supplied with your cleaner to recharge.

IMPORTANT: Before first use charge your cleaner for 24 hours.

When charging the Cleaner power switch must be Off.

Keep the charger plugged into a socket outlet at all times. It is normal for the charger to become warm to the touch when charging.

If the operating time reduces after repeated use, let the cleaner run until it stops, then recharge for 24 hours and repeat this monthly for best results.

- F** Place cleaner on Charger Base **B**

The indicator light **10** will illuminate when charging.

IMPORTANT: Never charge the batteries in temperatures above 37 °C or below 0 °C.

USING YOUR CLEANER

- G** **Hard Floors:** Slide the On/Off Switch 2 forward to the hard floor position.

- H** **Carpets:** Slide the On/Off Switch 2 fully forward to the carpet cleaning position.

DUST CUP AND FILTER: REMOVAL & REPLACEMENT**REMOVAL**

- J** Remove Dust Cup: Depress the Dust Cup Release Button **7** and remove the Dust Cup Assembly.



DUST CUP AND FILTER: REMOVAL & REPLACEMENT

REMOVAL (Continued)



- K** **L** Remove Filter: Grip the tab and pull the Filter out of the Filter Screen. Clean the debris from the Filter using a soft brush.
- M** Remove the Filter Screen from the Dust Cup.
- N** Clean the debris from the Filter Screen by tapping it lightly on the side of a dustbin.
Empty the Dust Cup into a dustbin.

The Filter and Filter Screen may be washed in warm soapy water, make sure they are completely dry before replacing in your cleaner.

REPLACEMENT

- P** Return the Filter Screen to the Dust Cup.
Re-assemble the Filter into the Filter Screen.
- R** Replace Dust Cup Assembly onto Main Body by aligning the top of the Dust Cup Assembly to the Main Body and pushing firmly until the Release Button **7** clicks into place.

Safety reminders.

DO NOT pick up liquids, hard or sharp objects, matches, hot ashes, cigarette ends or other similar items.

DO NOT pick up solvent based products or inflammable liquids such as cleaning fluids, petrol, etc., or their vapors.

DO NOT use the appliance if it appears to be faulty, or either the cord or charger base is damaged.

DO NOT replace the nickel-cadmium battery pack with non-rechargeable batteries.

DO frequently clean the dust cup and filter assembly when picking up fine powder.

DO return the appliance to the charger base after use to recharge the batteries. Occasionally fully discharge the batteries to obtain maximum battery life.

End of product life battery disposal

When the battery is no longer capable of holding a charge, the nickel-cadmium battery pack inside the product must be removed and disposed of in the correct manner.

Lift the product off the charging base, remove the two screws at the back of the cleaner adjacent to the exhaust air grill and lift off the battery cover. Remove the battery pack. Ask your local council for details of battery disposal or return them to an authorised Hoover Service Dealer.

GUARANTEE STATEMENT

Your new appliance is fully guaranteed for 12 months from the date of purchase against electrical/mechanical breakdown excluding:

- a) Any faults which occur due to incorrect installation or misuse of the machine or accidental damage.
- b) Repair of, or interference with the machine by any person not authorised by the manufacturer to carry out service.
- c) Any parts which are fitted to the machine which are not original manufacturers parts.
- d) Non-domestic use of the machine.
- e) Operation at incorrect voltage.

The guarantee applies to Great Britain and Northern Ireland only. The foregoing does not affect your statutory rights.

