



ENGLISH	INSTALLATION AND USER'S MANUAL
ESPAÑOL	MANUAL DE USO E INSTALACIÓN

INSTALLATION AND USER'S MANUAL

CONTENT

INTRODUCTION	€F
SAFETY PRECAUTION	€F
SPECIFICATION	05
INSTALLATION (VENT OUTSIDE)	06
INSTALLATION (VENT INSIDE)	14
DESCRIPTION OF COMPONENTS	15
OPERATION	15
MAINTENANCE	17
TROUBLESHOOTING	18
CONFORMITY WITH DIRECTIVES	19
ENVIRONMENTAL PROTECTION	19

INTRODUCTION

Thank you for choosing this cooker hood.

This instruction manual is designed to provide you with all required instructions related to the installation, use and maintenance of the appliance. In order to operate the unit correctly and safety, please read this instruction manual carefully before installation and usage.

The cooker hood uses high quality materials, and is made with a streamlined design. Equipped with large power electric motor and centrifugal fan, it also provides strong suction power, low noise operation, non-stick grease filter and easy assembly installation.

Hereby, Candy Hoover Group Srl declares that the radio equipment is in compliance with Directive 2014/53/EU and with the relevant Statutory Requirements (for the UKCA market).

The full text of the declaration of conformity is available at the following internet address: www.candy-group.com.

SAFETY PRECAUTION

- Never let the children operate the machine.
- The cooker hood is for home use only, not suitable for barbecue, roast shop and other commercial purpose.
- The cooker hood and its filter should be clean regularly in order to keep in good working condition.
- Clean the cooker hood according to the instruction manual and keep the unit from danger of burning.
- Forbid the direct baking from the gas cooker.
- Please keep the kitchen room a good convection.
- Before connecting this appliance check that the power supply cord is not damaged. A damage supply cord must be replaced by qualified service personnel only.
- There shall be adequate ventilation of the room when the range hood is used at the same time as appliances burning gas or other fuels;
- The air must not be discharged into a flue that is used for exhausting fumes from appliances burning gas or other fuels;
- Regulations concerning the discharge of air have to be fulfilled.
This appliance is not intended for use by persons (including children) with reduced physical, sensory or mental capabilities, or lack of experience and knowledge, unless they have been given supervision or instruction concerning use of the appliance by a person liable for their safety.

- Children should be supervised to ensure that they do not play with the appliance.
- Do not flambé under the range hood.

CAUTION: Accessible parts may become hot when used with cooking appliance

- These shall be adequate ventilation of the room when the range hood is used at the same time as appliances burning gas or other fuels(not applicable to appliances that only discharge the air back into the room);
- the details concerning the method and frequency of cleaning.
- there is a fire risk if cleaning is not carried out in accordance with the instructions; - do not flame under the range hood;
- CAUTION: Accessible parts may become hot when used with cooking appliances.

Electrical Shock Hazard

Only plug this unit into a properly earthed outlet. If in doubt seek advice from a suitably qualified engineer.

Failure to follow these instructions can result in death, fire, or electrical shock.

Electrical Installation

All installation must be carried out by a competent person or qualified electrician. Before connecting the mains supply ensure that the mains voltage corresponds to the voltage on the rating plate.

Direct Connection

The appliance must be connected directly to the mains using an omnipolar circuit breaker with a minimum opening of 3mm between the contacts.

The installer must ensure that the correct electrical connection has been made and that it complies with the wiring diagram.

The cable must not be bent or compressed.

Regularly check the power plug and power cord for damage. If the supply cord is damaged, it must be replaced by a special cord or assembly available from the manufacturer or its service agent.

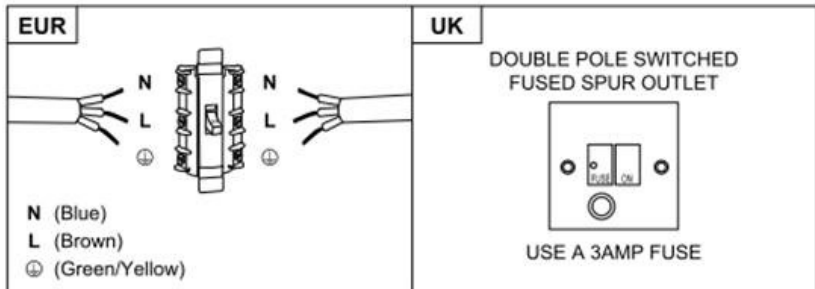
WARNING: This is a Class I appliance and MUST be earthed

This appliance is supplied with a 3 core mains cable coloured as follows:

Brown = L or Live

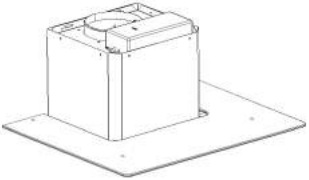

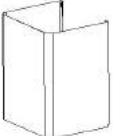


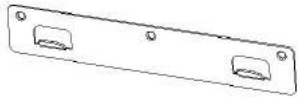



Blue = N or Neutral

Green and Yellow = E or Earth (⊕)



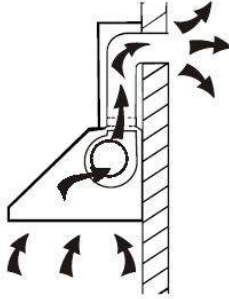
The fuse must be rated at 3 Amps.

Standard Installation Accessories List

Spec.	Illustration Picture	Qty
Casing		1
Upper Chimney		1
Lower Chimney		1
Lower chimney bracket		1
Upper chimney bracket		1
Hanging Board		1
$\varnothing 8$ rawl plugs $\varnothing 8 \times \varnothing 6$ white color		9
Screws ST4.0×30		9
$\varnothing 7.2$ screws ST4.0×8		2

INSTALLATION (wall mounting)

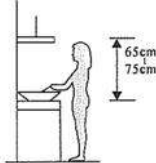
If you have an outlet to the outside, your cooker hood can be connected as below picture by means of an extraction duct (enamel, aluminum, flexible pipe or inflammable material with an interior diameter of 150mm)



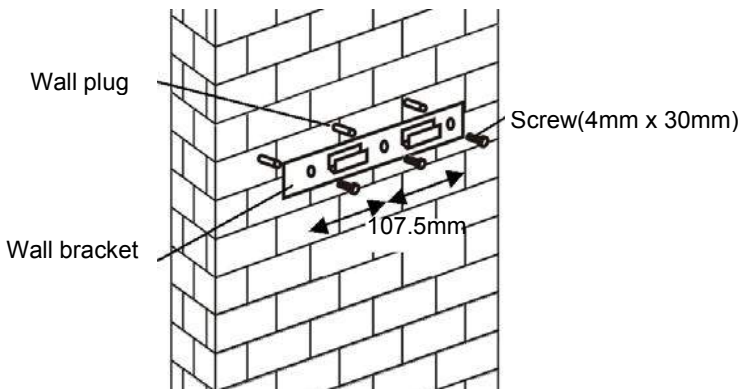
1. Before installation, turn the unit off and unplug it from the outlet.



2. The cooker hood should be placed at a distance of 65~75cm above the cooking plane for best effect.

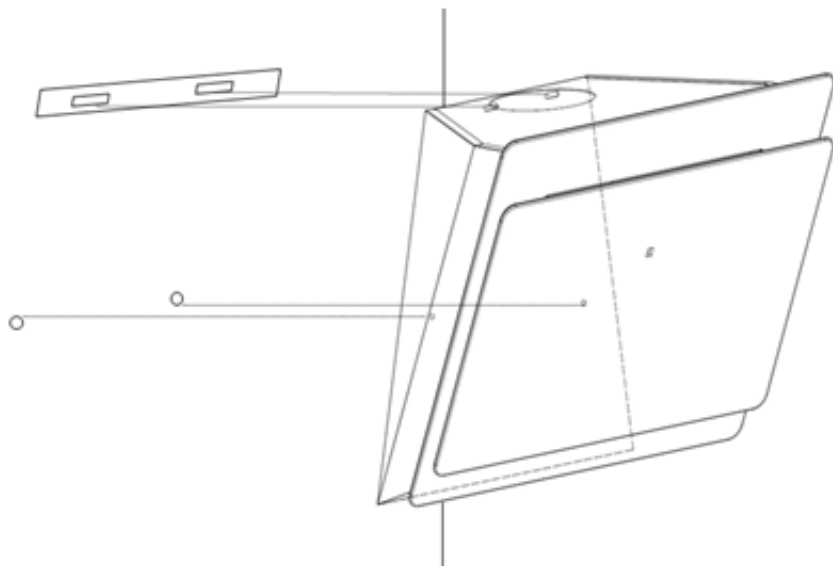


3. Drill 3 x 8mm holes to accommodate the bracket. Screw and tighten the bracket onto the wall with the screws provided.

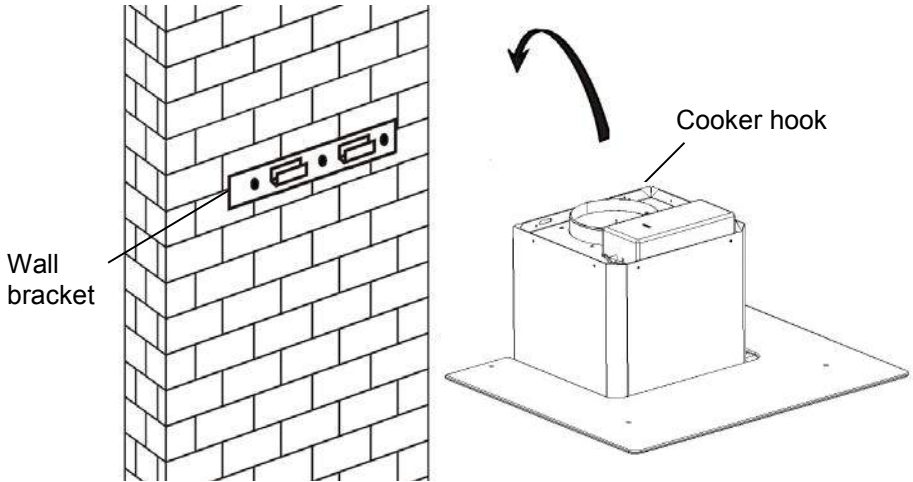


For inclined panel Model

- eed to drill 2x8mm extra holes & fixing screws & screw plugs before installation. Voor schuine modellen



4. Leave up the cooker hood and hang onto the wall bracket hook.



5. Fix the one-way-valve to the air outlet of the cooker hood. Then, attached the exhaust pipe onto the one-way-valve as shown below.

Exhaust pipe

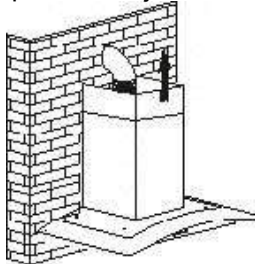


Cooker hood

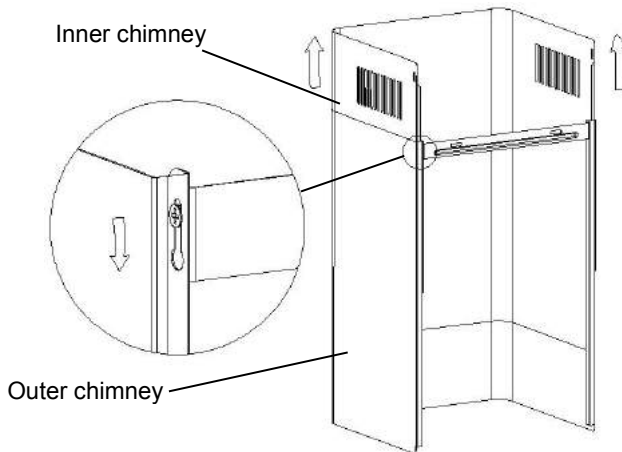


6.

- i. Place the glass in appropriate position on the top the cooker hood.
 - ii. Fix with 4 screws and washer. In order to avoid the glass cracking, please do not tighten the screws too strongly.
- i. By Put the inner chimney into outer chimney .Then pulling out the inner chimney upwards. Adjust to reach the height required.

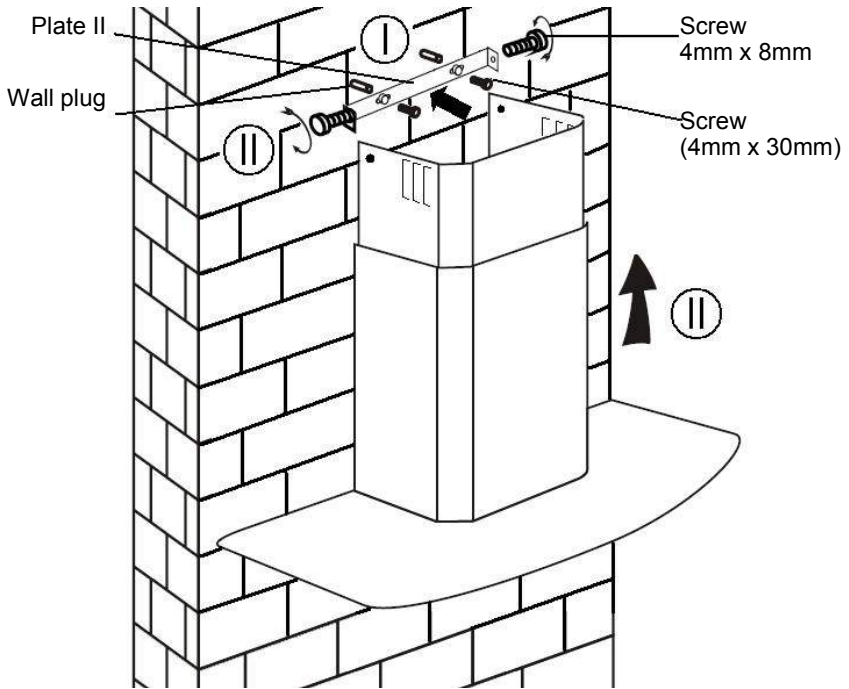


- ii. Sliding the chimney to adjust the chimney height. When the height you required is reached, then hang the fixing hole to the fixing screws as showed in below pictures.

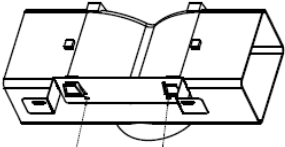
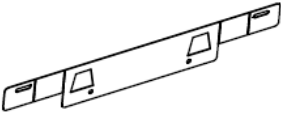





8.

- i. Drill 2 x 8mm holes to accommodate the plate II. Screw and tighten the plate II onto the wall with 2 screws provided.
- ii. Assemble the chimney onto the unit and fix it with 2 screws.



Standard Installation Accessories List

Spec.	Illustration Picture	Qty
Air Deflector		1
Bracket		1
φ8 rawl plugs φ8×φ6 white color		2
Screws ST4.0×30		2
Screws ST3.5×12		2

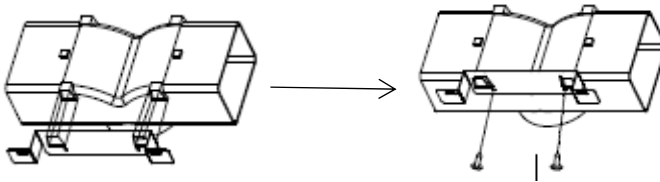
INSTALLATION(AIR DEFLECTOR FOR T-SHAPE,CURVED GLASS,FLAT GLASS MODELS):

Air deflector is mentioned as included and not optional.

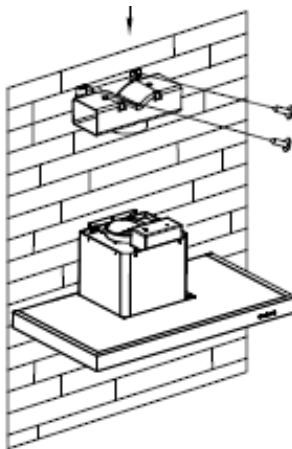
1.Before installation,curve both ends of the bracket as shown below:



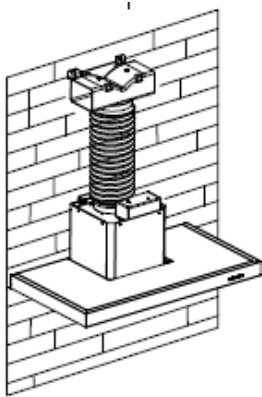
2.Fix the bracket to the T-shaped plastic outlet with 2pcs ST3.5x12mm screws provided.



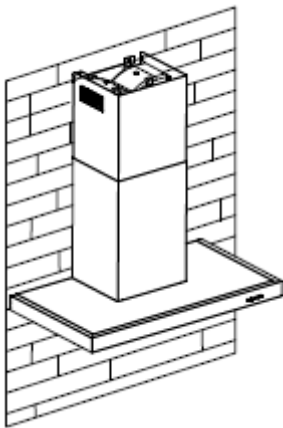
3.Drill 2 holes to accommodate the wall plugs,then screw and tighten the bracket onto the wall with 2pcs ST4x30mm screws provided.



4. Attach the exhaust pipe onto the air outlet of the cooker hood as shown below:



5. Install the chimney to the unit and fix it.

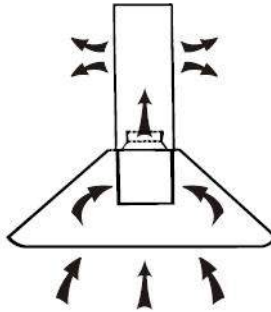


o “Please kindly be noted: T-shaped plastic outlet and v-flaps can not be used at the same time. You can use them in two ways: 1) Add v-flap on existing outlet; 2) Use T-shaped plastic outlet, no add v-flap.”

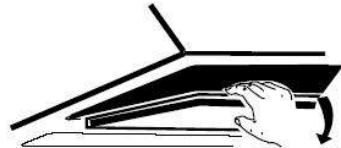
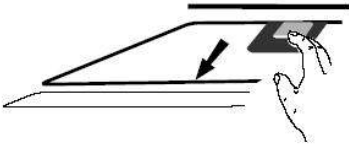
o “Note: The product is provided with v-flap accessory. This accessory is not mandatory for installation, operation and use of the product.”

INSTALLATION (VENT INSIDE)

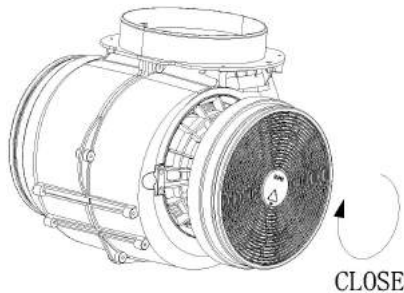
If you do not have an outlet to the outside, exhaust pipe is not required and the installation is similar to the one show in section “INSTALLATION (VENT OUTSIDE)”.



Activated carbon filter can be used to trap odors. In order to install the activated carbon filter, the grease filter should be detached first. Press the lock and pull it downward.



Plug the activated carbon filter into the unit and turn it in clockwise direction. Repeat the same on the other side.



NOTE:

- o *Make sure the filter is securely locked. Otherwise, it would loosen and cause dangerous.*
- o *When activated carbon filter attached, the suction power will be lowere*

DESCRIPTION OF COMPONENTS

1

2

3



OPERATION

STANDBY MODE.

After plug in, all lighting, system in **STANDBY MODE**.

1

Low Speed button

It's used for Ventilation on the kitchen. It is suitable for simmering and cooking which do not make much steam.

2

Medium Speed button

Airflow speed is ideally for ventilation in standard cooking operation.

3

High Speed button

When high density of smoke or steam produced, press high-speed button for high effective ventilation.



Booster function

This hood has a booster function. To activate the booster, Press **B** to speed 4, enter into highest speed while the hood is in use and it will increase speed for 5 minutes, before slowing down again.



Light

Short press for lighting on & off

Quick timer: Long press the light button hold for 3 seconds, fan speed buttons will flashing & into 5minutes count down, after 5 minutes motor & light will turn off automatic with three Buzzer sound.



Wi-Fi Connection

Long press WiFi icon and enter into connecting mode: the backlit of WiFi icon keep flashing indicate the connection is under connecting, the backlit of WiFi icon is light on indicate it is connected, same for standby mode; long press WiFi icon again and the connection will be stopped;

Download hOn App



First of all, you should download hOn APP and install to your portable device. Then enroll your hood.



NOTE

Get ready to add your appliance

- 1 Stay close to your appliance
- 2 While in front of your appliance, ensure that your smartphone is connected to a 2.4GHz Wi-Fi network with a stronger signal
[CHANGE WI-FI SETTINGS](#)
- 3 Public networks are not allowed due to low security and reliability.
- 4 Prepare to enter your Home Wi-Fi password.

ENROLLMENT HOOVER HOOD



The image of the hood has the only purpose of presenting it. May not be perfectly representative.

1- Press the WiFi button until the icon starts blinking When the pairing is completed the WiFi icon will be on.

MAINTENANCE

Before cleaning switch the unit off and pull out the plug.

I. Regular Cleaning

Use a soft cloth moistened with hand-warm mildly soapy water or household cleaning detergent. Never use metal pads, chemical, abrasive material or stiff brush to clean the unit.

II. Monthly Cleaning for Grease Filter

ESSENTIAL: Clean the filter every month can prevent any risk of fire.

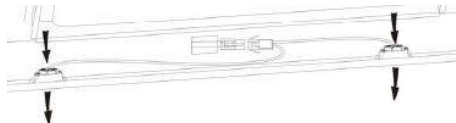
The filter collects grease, smoke and dust..... so the filter is directly affecting the efficiency of the cooker hood. If not cleaned, the grease residue (potential flammable) will saturate on the filter. Clean it with household cleaning detergent.

III. Annual Cleaning for Activated Carbon Filter

Apply SOLELY to unit that installed as a recirculation unit (not vented to the outside). This filter traps odors and must be replaced at least once a year depending on how frequent the cooker hood used.

IV. Changing a light bulb

Remove the screws on the glass, take off the hood glass. Find the bulb that requires replacement, you will find it located in the light fixture which is inside the exposed section of the canopy.



Disconnect the light wiring point and remove the bulb holders and wiring from the hood. Important: It's not possible to replace the bulbs individually, it will be necessary to obtain the bulbs, bulb holders and wiring as a complete part. (LED light: MAX 1.5W)

Fit the replacement bulbs, bulb holders and wiring in the same manners as the originals. Then reconnect the light wiring point.

Refit the hood glass and fasten the glass screws. Make sure the screws are fully tightened.

TROUBLESHOOTING

Fault	Cause	Solution
Light on, but fan does not work	The fan blade is jammed.	Switch off the unit and repair by qualified service personnel only.
	The motor is damaged.	
Both light and fan do not work	Halogen light bulb burn.	Replace the bulb with correct rating.
	Power cord looses.	Plug in to the power supply again.
Serious Vibration of the unit	The fan blade is damaged.	Switch of the unit and repair by qualified service personnel only.
	The fan motor is not fixed tightly.	Switch off the unit and repair by qualified service personnel only.
	The unit is not hung properly on the bracket.	Take down the unit and check whether the bracket is in proper location.
Suction performance not good	Too long distance between the unit and the cooking plane	Readjust the distance to 65-75cm

Technology	Wi-Fi
Standard	802.11 b/g/n
Frequency Band(s)[MHz]	2400 MHz - 2483.5 MHz
Maximum Power[mW]	100 mW

Product information for networked equipment	
power consumption of the product in networked standby if all wired network ports are connected and all wireless network ports are activated:	2 W
How to activate wireless network port:	If the Hood has been enrolled with the APP, turn on the Hood to activate wireless network port.
How to deactivate wireless network port:	If the Hood has been enrolled with the APP, turn off the Hood to deactivate wireless network port. If the Hood hasn't been enrolled with the APP, wireless network port will be deactivated even the Hood is on.

CUSTOMER ASSISTANCE SERVICE

If you cannot identify the cause of the operating anomaly, switch off the appliance and contact the Assistance Service.

PRODUCT SERIAL NUMBER. Where can I find it?

It is important you to inform the Assistance Service of your product code and its serial number (a 16 character code which begins with the number 3); this can be found on the guarantee certificate or on the data plate located on the appliance.

It will help to avoid wasted journeys to technicians, thereby (and most significantly) saving the corresponding callout charges.

ENVIRONMENTAL PROTECTION

Waste electrical products should not be disposed of with household waste. Please recycle where facilities exist. Check with your Local Authority or retailer for recycling advice.



This appliance is marked according to the European directive 2012/19/EU on Waste Electrical and Electronic Equipment (WEEE).

By ensuring this product is disposed of correctly, you will help prevent potential negative consequences for the environment and human health, which could otherwise be caused by inappropriate waste handling of this product.

The symbol on the product indicates that this product may not be treated as household waste. Instead it shall be handed over to the applicable collection point for the recycling of electrical and electronic equipment. Disposal must be carried out in accordance with local environmental regulations for waste disposal.

For more detailed information about treatment, recovery and recycling of this product, please contact your local city office, your household waste disposal service or the shop where you purchased the product.

MANUAL DE USO E INSTALACIÓN

CONTENIDO

INTRODUCCIÓN	21
PRECAUCIONES DE SEGURIDAD.....	21
RIESGO DE DESCARGA ELÉCTRICA.....	22
INSTALACIÓN ELÉCTRICA	23
INSTALACIÓN (MONTAJE EN LA PARED).....	25
INSTALACIÓN (SALIDA INTERIOR)	33
DESCRIPCIÓN DE LOS COMPONENTES.....	34
FUNCIONAMIENTO.....	34
MANTENIMIENTO	36
RESOLUCIÓN DE PROBLEMAS.....	37
SERVICIO DE ASISTENCIA AL CLIENTE.....	38
PROTECCIÓN MEDIOAMBIENTAL.....	38

INTRODUCCIÓN

Gracias por elegir esta campana extractora.

Este manual de instrucciones está diseñado para proporcionarle todas las instrucciones necesarias relacionadas con la instalación, el uso y el mantenimiento del electrodoméstico. Para que el electrodoméstico funcione correctamente y con seguridad, por favor lea este manual de instrucciones cuidadosamente antes de la instalación y el uso.

La campana extractora utiliza materiales de alta calidad, y está hecha con un diseño aerodinámico. Equipada con un motor eléctrico de gran potencia y un ventilador centrífugo, también proporciona una fuerte potencia de aspiración, un funcionamiento de bajo ruido, un filtro de grasa antiadherente y una instalación de fácil montaje.

Por la presente, Candy Hoover Group Srl declara que los equipos radioeléctricos cumplen con la Directiva 2014/53/UE y con los requisitos legales pertinentes (para el mercado UKCA). Se encuentra disponible el texto completo de la declaración de conformidad en la siguiente dirección de Internet: www.candy-group.com

PRECAUCIONES DE SEGURIDAD

- No deje que los niños utilicen el electrodoméstico.
- La campana extractora es para uso doméstico exclusivamente y no puede utilizarse en barbacoas, asadores u otros establecimientos comerciales.
- La campana extractora y el filtro deben limpiarse de forma periódica para mantener el producto en buenas condiciones de uso.
- Limpie la campana extractora de acuerdo con el manual de instrucciones y mantenga el electrodoméstico fuera de peligro de quemaduras.
- La campana no debe utilizarse en un hornillo de gas. Durante su uso, asegúrese de que exista ventilación suficiente en la cocina.
- Antes de conectar este electrodoméstico, compruebe que el cable de alimentación no esté dañado. Un cable de suministro dañado debe ser reemplazado únicamente por personal de asistencia cualificado.
- Debe haber una ventilación adecuada de la habitación cuando se utilice la campana extractora al mismo tiempo que los

aparatos de gas u otros;

- No conecte el aparato a una salida de aire en la que se hayan conectado otros dispositivos que quemen gas u otros combustibles;
- Deben cumplirse las normas relativas a la salida de humos.
- Este aparato no está pensado para que lo utilicen personas (incluidos niños) con capacidades físicas, sensoriales o mentales reducidas, o con falta de experiencia y conocimiento, a menos que hayan sido supervisados o formados sobre el uso del dispositivo por parte de una persona responsable de su seguridad.
- Es necesario vigilar a los niños para asegurarse de que no jueguen con el electrodoméstico.
- Deberá asegurarse una buena ventilación de la cocina cuando se utilice la campana de extractora al mismo tiempo que los aparatos que quemen gas u otros combustibles (no aplicable a los aparatos que solo descargan el aire de vuelta a la cocina);
- los detalles relativos al método y la frecuencia de la limpieza.
- existe un riesgo de incendio si la limpieza no se realiza de acuerdo con las instrucciones; - no flamee debajo de la campana extractora;
- **PRECAUCIÓN:** las piezas accesibles pueden calentarse cuando se usan con aparatos de cocina.

Riesgo de descarga eléctrica

Conecte este electrodoméstico únicamente a una toma de corriente con conexión a tierra. En caso de duda, busque el consejo de un técnico debidamente cualificado.

El incumplimiento de estas instrucciones puede provocar la muerte, un incendio o una descarga eléctrica.

Instalación eléctrica

Toda la instalación debe ser realizada por un electricista cualificado u otro profesional competente. Antes de conectar la alimentación de la red, asegúrese de que la tensión de la red corresponda a la tensión que figura en la placa de datos.

Conexión directa

El electrodoméstico se conecta directamente a la corriente, utilizando un disyuntor omnipolar con una distancia mínima de 3 mm entre los contactos.

El instalador debe asegurarse de que la conexión a la red eléctrica se haya realizado correctamente y cumpliendo el esquema eléctrico.

El cable no debe doblarse ni aplastarse.

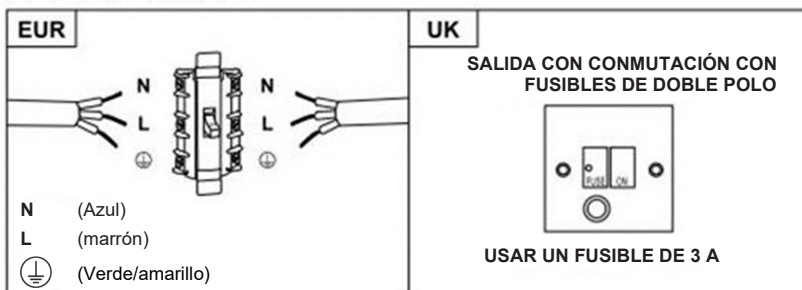
Revise regularmente el enchufe y el cable de alimentación para ver si están dañados. Si el cable de suministro está dañado, debe ser reemplazado por un cable o conjunto especial disponible en el fabricante o su agente del servicio de asistencia.

ADVERTENCIA: Este es un electrodoméstico de clase I y DEBE ser conectado a tierra. Este electrodoméstico se suministra con un cable de red de 3 núcleos del siguiente color:

Marrón = L (Live) o CORRIENTE

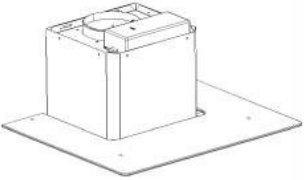

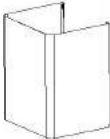


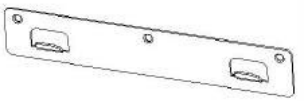



Azul = N (Neutral) o NEUTRAL

Verde y amarillo = E (Earth) o TIERRA



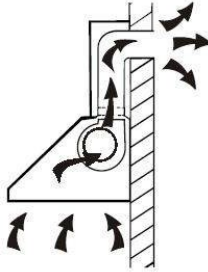
El fusible debe tener una capacidad de 3 A

Lista de accesorios de instalación estándar

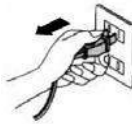
Espec.	Fig. Ilustración	Cant.
Carcasa		1
Chimenea superior		1
Chimenea inferior		1
Soporte de la chimenea inferior		1
Soporte de la chimenea superior		1
Placa de soporte		1
Taquetes Ø8 - Ø8xØ6 color blanco		9
Tornillos ST4,0x30		9
Tornillos Ø 7,2 ST4,0x8		2

INSTALACIÓN (montaje en la pared)

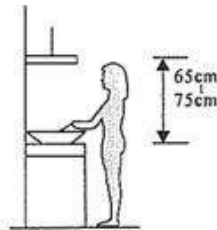
Si tiene una salida al exterior, su campana extractora puede conectarse como en la foto de abajo mediante un conducto de extracción (esmalte, aluminio, tubo flexible o material no inflamable con un diámetro interior de 150 mm).



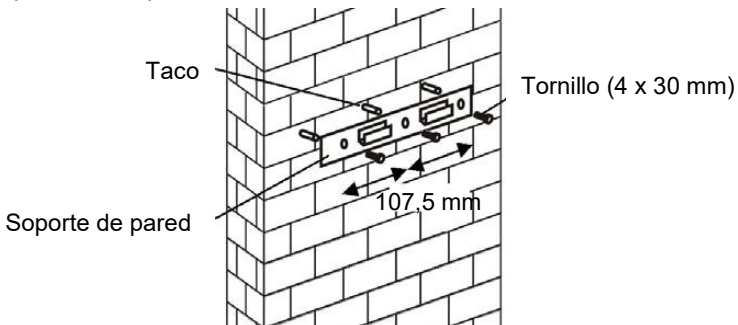
1. Antes de la instalación, apague el electrodoméstico y desenchúfelo de la toma de corriente.



2. La campana extractora debe colocarse a una distancia de 65~ 75 cm de la superficie de cocción para obtener resultados óptimos.

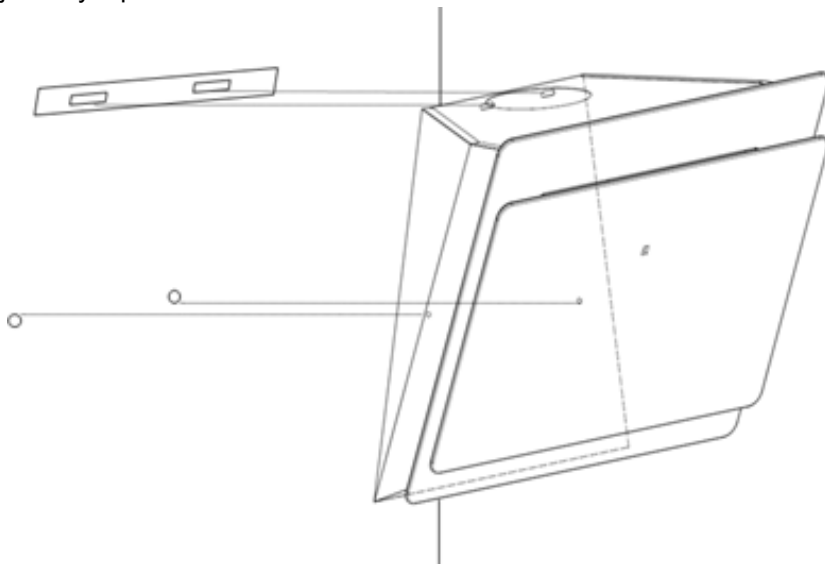


3. Perfore 3 agujeros de 8 mm para acomodar el soporte. Atornille y apriete el soporte en la pared con los tornillos suministrados.

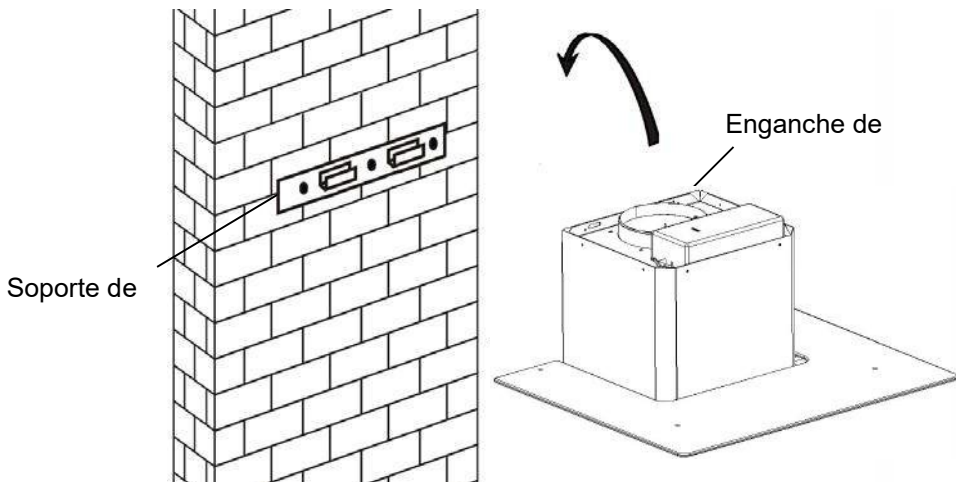


Para el modelo de panel inclinado

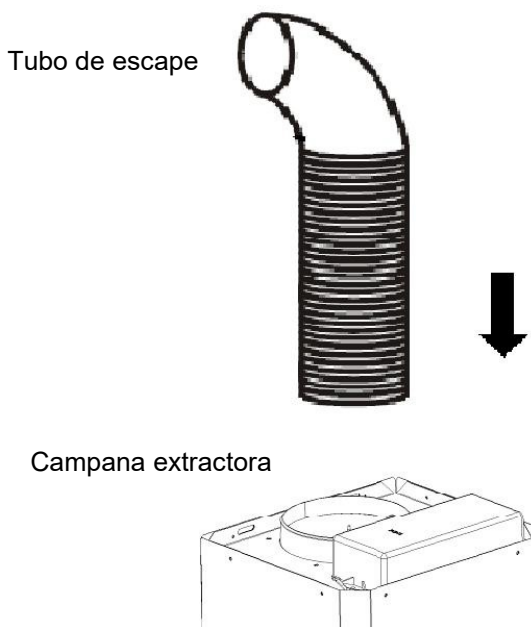
- Es necesario perforar agujeros adicionales de 2x8 mm y aplicar tornillos de fijación y tapones roscados antes de la instalación. Voor schuine modellen



4. Deje la campana extractora y cuélguela del enganche del soporte de la pared.



5. Fije la válvula unidireccional a la salida de aire de la campana extractora. Entonces, conecte el tubo de escape a la válvula unidireccional como se muestra a continuación.

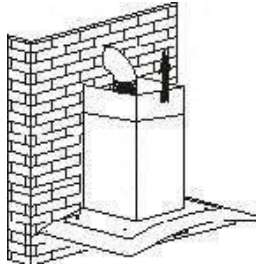


6.

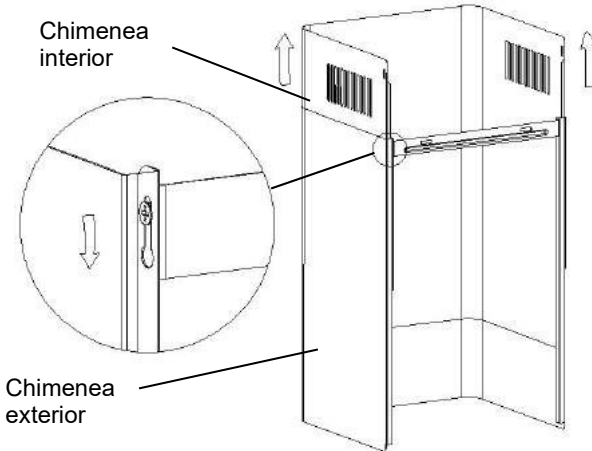
- i. Ponga el vidrio en la posición apropiada en la parte superior de la campana extractora.
- ii. Fije con 4 tornillos y arandela. Para evitar que el vidrio se agriete, no apriete los tornillos con demasiada fuerza.

7.

- i. Ponga la chimenea interior en la chimenea exterior; luego tire de la chimenea interior hacia arriba. Ajústela para alcanzar la altura necesaria.

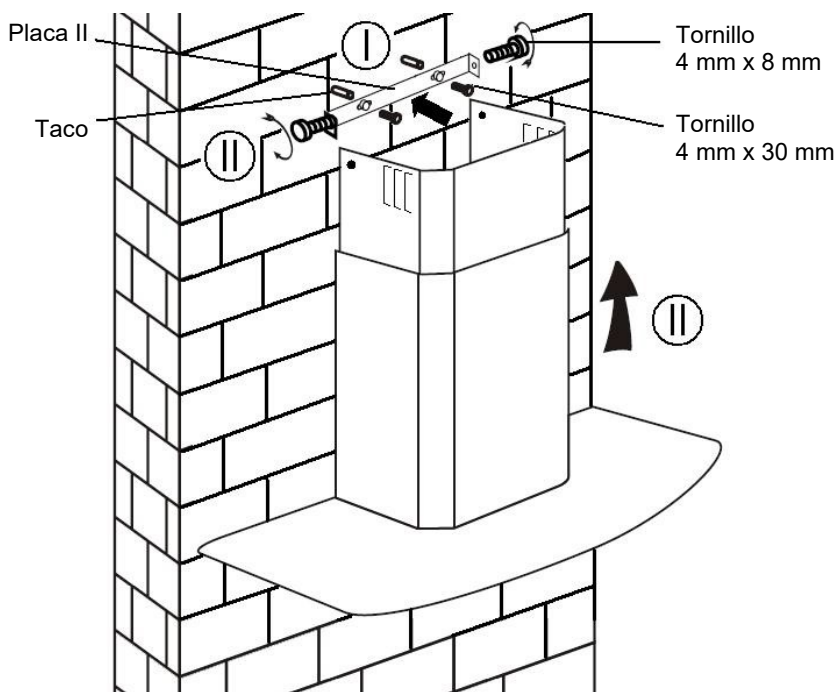


- ii. Deslice la chimenea para ajustar la altura de la chimenea. Cuando se alcance la altura requerida, entonces cuelgue el agujero de fijación a los tornillos de fijación como se muestra en las fig. de abajo.

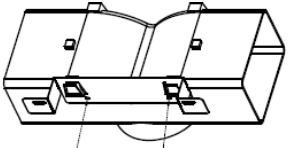
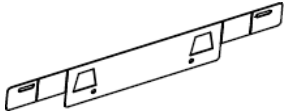





8.

- i. Perfore 2 agujeros de 8 mm para acomodar la placa II. Atornille y apriete la placa II en la pared con los 2 tornillos suministrados.
- ii. Monte la chimenea en la unidad y fíjela con 2 tornillos.



Lista de accesorios de instalación estándar

Espec.	Fig. Ilustración	Cant.
Deflector de aire		1
Soporte		1
Ø 8 taquetes Ø 8×Ø 6 color blanco		2
Tornillos ST4,0×30		2
Tornillos ST3,5×12		2

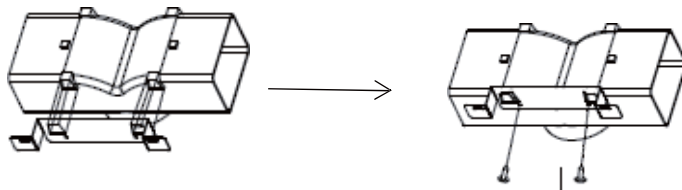
INSTALACIÓN (DEFLECTOR DE AIRE EN FORMA DE T, VIDRIO CURVADO, MODELOS CON VIDRIO PLANO)

El deflector de aire se menciona como incluido y no opcional.

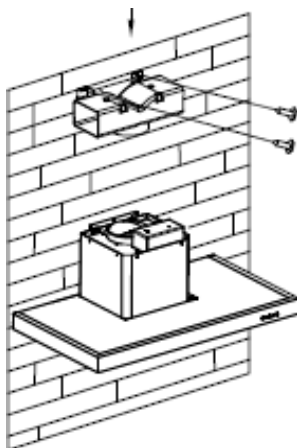
1. Antes de la instalación, curve ambos extremos del soporte como se muestra a continuación:



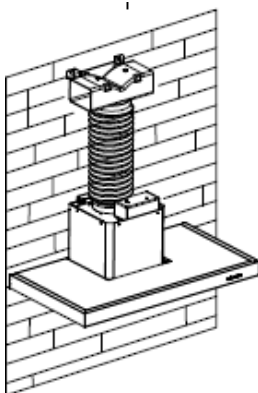
2. Fije el soporte a la salida de plástico en forma de T con los 2 tornillos ST3,5x12 mm proporcionados.



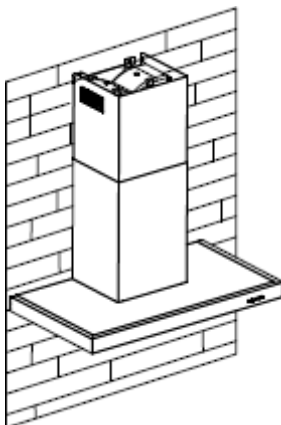
3. Practique 2 orificios para colocar los tacos, luego atornille y apriete el soporte en la pared con los 2 tornillos ST4x30 mm proporcionados.



4. Conecte el tubo de escape a la salida de aire de la campana de la cocina como se muestra a continuación:

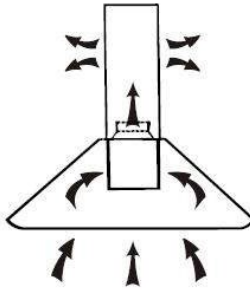


5. Instale la chimenea en la unidad y fíjela.

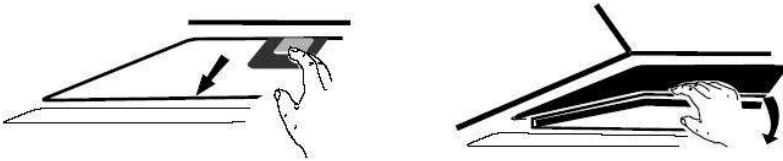


INSTALACIÓN (SALIDA INTERIOR)

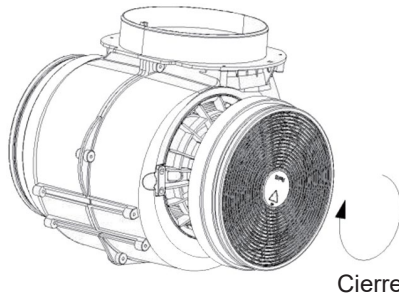
Si no tiene una salida al exterior, no se requiere un tubo de escape y la instalación es similar a la que se muestra en la sección "INSTALACIÓN (SALIDA EXTERIOR)".



El filtro de carbón activo puede utilizarse para atrapar olores. Para instalar el filtro de carbón activo, primero hay que quitar el filtro para grasa. Presione el cierre y tire de él hacia abajo.



Enchufe el filtro de carbón activo en el electrodoméstico y gírelo en el sentido de las agujas del reloj. Repita lo mismo en el otro lado.



NOTA:

- *Asegúrese de que el filtro esté bien cerrado. De lo contrario, se aflojaría y supondría un peligro.*
- *Cuando el filtro de carbón activado se monta, la potencia de aspiración se reduce.*

DESCRIPCIÓN DE LOS COMPONENTES

1

2

3



FUNCIONAMIENTO

	Modo standby Después de enchufar el aparato, la iluminación se pone en MODO STANDBY .
1	Botón de baja velocidad Se usa para la ventilación de la cocina. Es adecuado para cocer a fuego lento y para cocinar que no producen mucho vapor.
2	Botón de velocidad media La velocidad del flujo de aire es ideal para la ventilación de una cocina estándar.
3	Botón de alta velocidad Cuando se produzca una alta densidad de humo o vapor, pulse el botón de alta velocidad para una ventilación eficaz.
	Función Booster (potencia extra) Esta campana tiene una función de potencia extra. Para activar el booster, pulse B a la velocidad 4, entre en la velocidad más alta mientras la campana está en funcionamiento y aumentará la velocidad durante 5 minutos, antes de volver a reducirla.
	Luz Pulse brevemente para encender y apagar la iluminación
	Temporizador rápido: Mantenga pulsado el botón de luz durante 3 segundos, los botones de velocidad del ventilador parpadearán y entrarán en una cuenta atrás de 5 minutos, después de la cual el motor y la luz se apagarán automáticamente con tres sonidos de zumbador.
	Conexión wifi Pulse prolongadamente el icono wifi y entre en modo de conexión: si el icono wifi sigue parpadeando significa que la conexión está en curso, si está encendido significa que está conectada o en modo standby; pulse prolongadamente el icono wifi de nuevo y la conexión se detendrá;

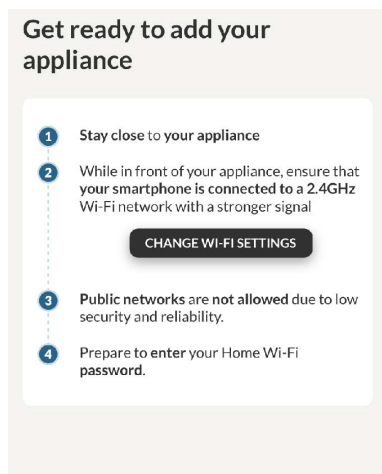


Descargar la aplicación hOn

En primer lugar, debería descargar la app hOn e instalarla en su dispositivo portátil. Entonces podrá registrar su campana.



NOTA



REGISTRO CAMPANA HOOVER



La imagen de la campana es meramente indicativa. Podría no corresponder a la realidad.

1- Pulse el botón wifi hasta que el icono comience a parpadear; cuando se haya finalizado el emparejamiento, el icono wifi se mostrará encendido.

MANTENIMIENTO

Antes de la limpieza, apague el electrodoméstico y desenchúfelo.

I. Limpieza regular

Utilice un paño suave humedecido con agua jabonosa tibia o detergente de uso doméstico. No utilice estropajos metálicos, productos químicos, material abrasivo o un cepillo rígido para limpiar el electrodoméstico.

II. Limpieza mensual del filtro para grasa

FUNDAMENTAL: Limpiar el filtro cada mes puede evitar riesgos de incendio.

En el filtro se acumula grasa, humo, polvo, etc. por lo que el filtro afecta directamente a la eficiencia de la campana extractora. Si no se limpia, los restos de grasa (potencialmente inflamables) se saturarán en el filtro. Límpielo con detergente de uso doméstico.

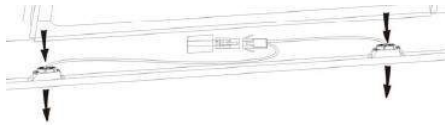
III. Limpieza anual del filtro de carbón activo

SOLAMENTE se aplica a unidades instaladas como unidad de recirculación (sin ventilación al exterior). Este filtro atrapa olores y debe ser reemplazado al menos una vez al año

dependiendo de la frecuencia con la que se utilice la campana de la cocina.

IV. Cambio de la bombilla

Retire los tornillos del cristal, y el cristal de la campana. Encuentre la bombilla que desea sustituir, se encuentra en la lámpara que está dentro de la sección expuesta de la cubierta.



Desconecte el punto de cableado de la luz y retire los portalámparas y el cableado de la campana. Importante: No es posible reemplazar las bombillas individualmente, hay que considerar las bombillas, los portalámparas y el cableado como un conjunto. (Luz LED: máx. 1,5 W)

Coloque las bombillas de recambio, los portalámparas y el cableado de la misma manera que los originales. A continuación, reconecte el punto de cableado de la luz.

Vuelva a colocar el vidrio de la campana y apriete los tornillos del vidrio. Asegúrese de que los tornillos estén bien apretados.

RESOLUCIÓN DE PROBLEMAS

Fallo	Causa	Solución
La lámpara se enciende, pero el ventilador no funciona.	La pala del ventilador está atascada.	Apague el electrodoméstico y deje que el personal de asistencia proceda a repararlo.
	El motor está dañado.	
Tanto la lámpara como el ventilador no funcionan.	La bombilla halógena se ha fundido.	Sustituya la bombilla con una con la clasificación correcta.
	El cable de alimentación se suelta.	Vuelva a conectarlo al suministro eléctrico.
El electrodoméstico vibra mucho.	La pala del ventilador está dañada.	Apague el electrodoméstico y deje que el personal de asistencia proceda a repararlo.
	El motor del ventilador no está bien fijado.	Apague el electrodoméstico y deje que el personal de asistencia proceda a repararlo.
	El electrodoméstico no está bien sujeto en el soporte.	Desmonte la unidad y compruebe si la abrazadera está bien en posición ubicación.
La aspiración no es suficientemente potente.	Demasiada distancia entre el electrodoméstico y la placa de cocción.	Reajuste la distancia a 65-75 cm

Tecnología	Wifi
Estándar	802.11 b/g/n
Banda/s de frecuencia [MHz]	2400 MHz - 2483,5 MHz
Potencia máxima [mW]	100 mW

Información de producto para equipos en red	
consumo de energía del producto en modo standby en red si está conectado al suministro eléctrico los puertos de red están conectados y todos los puertos de red inalámbrica están activados:	2 W
Cómo activar el puerto de red inalámbrica:	Si la campana se ha registrado en la app, active la campana para activar el puerto de red inalámbrica.
Cómo desactivar el puerto de red inalámbrica:	Si la campana se ha registrado en la app, desactive la campana para desactivar el puerto de red inalámbrica. Si la campana no se ha registrado en la app, el puerto de red inalámbrica se desactivará aunque la campana esté activada.

SERVICIO DE ASISTENCIA AL CLIENTE

Si no puede identificar la causa de la anomalía de funcionamiento, apague el aparato y póngase en contacto con el Servicio de Asistencia.

NÚMERO DE SERIE DEL PRODUCTO. ¿Dónde puedo encontrarlo?

Es importante que informe al Servicio de Asistencia del código de su producto y su número de serie (un código de 16 caracteres que comienza con el número 3); este se encuentra en el certificado de garantía o en la placa de datos situada en el electrodoméstico.

Ayudará a evitar viajes inútiles a los técnicos, ahorrando así (y lo que es más importante) los correspondientes cargos por llamadas.

PROTECCIÓN MEDIOAMBIENTAL



Los productos eléctricos no deben eliminarse como un residuo doméstico. Hay que reciclarlos en el lugar indicado. Consulte con su autoridad local o con el establecimiento donde compró el producto para obtener consejos de reciclaje.

Este electrodoméstico tiene la marca de conformidad con la Directiva europea 2012/19/UE sobre residuos de aparatos eléctricos y electrónicos (RAEE).

Al asegurarse de desechar este electrodoméstico de forma correcta, estará contribuyendo a evitar las posibles consecuencias negativas para el medio ambiente y la salud humana que ocasionaría el tratamiento inadecuado de los residuos de este producto.

La inclusión del símbolo en el producto o en su envase indica que no puede tratarse como residuo doméstico. En su lugar, se entregará al punto de recogida correspondiente para el reciclado de aparatos eléctricos y electrónicos. La eliminación debe realizarse de acuerdo con las normas ambientales locales para la eliminación de residuos.

Para obtener información detallada sobre el tratamiento, la recuperación y el reciclaje de este producto, póngase en contacto con el ayuntamiento, el servicio de recogida de basuras local o el establecimiento donde lo adquirió.