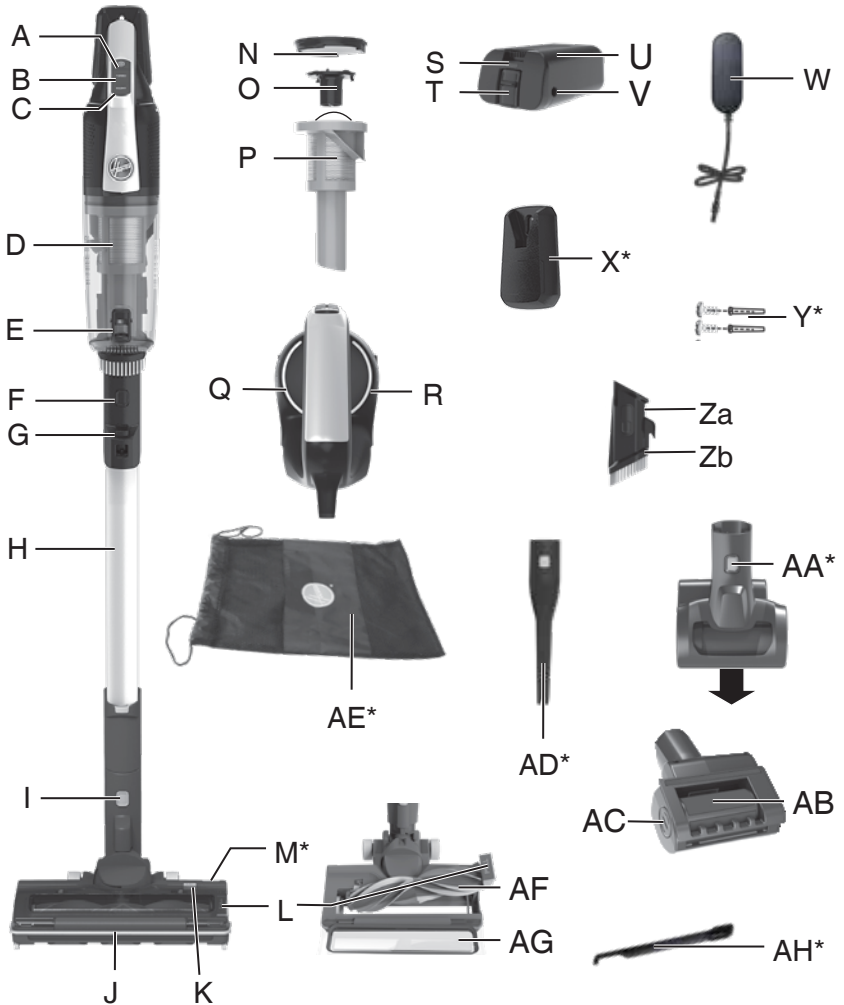


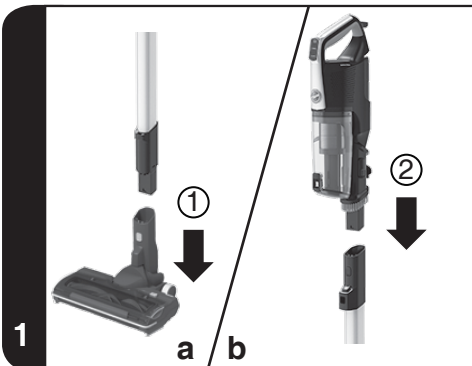


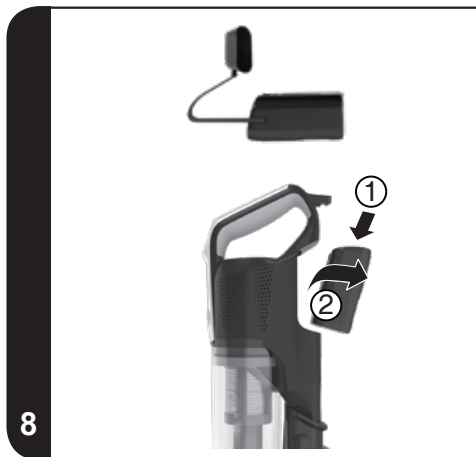
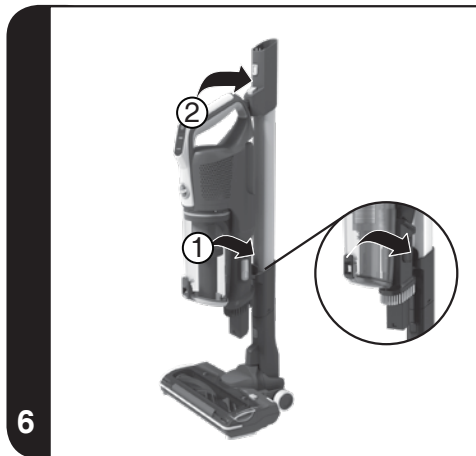
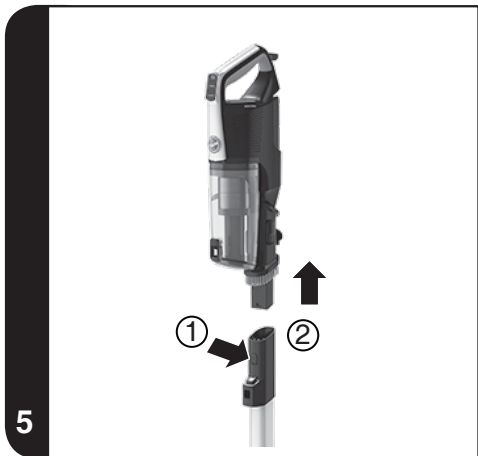
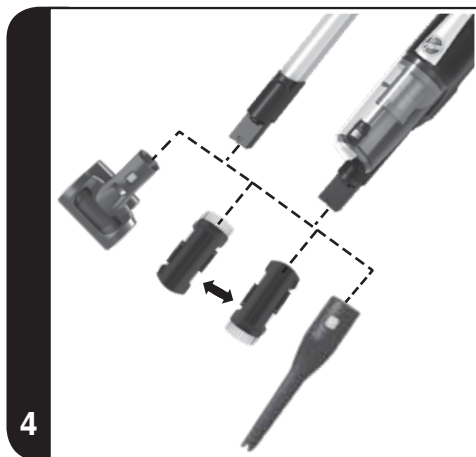
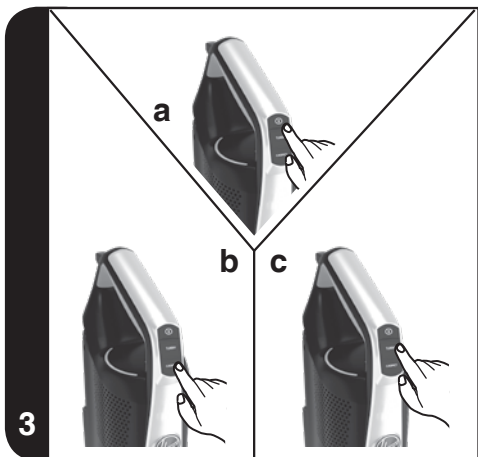
INSTRUCTION MANUAL

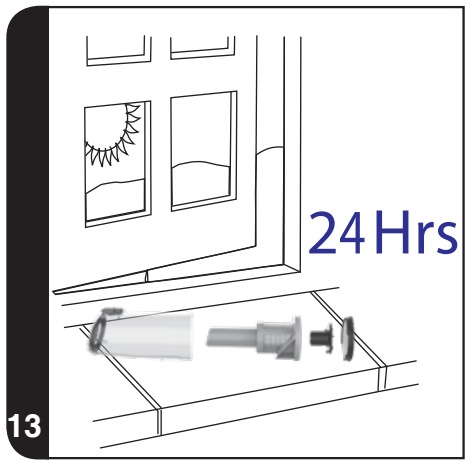
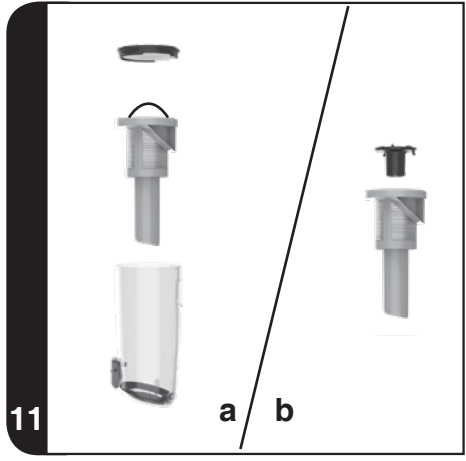
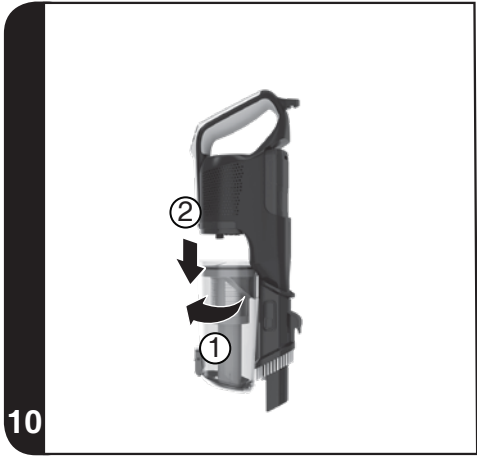
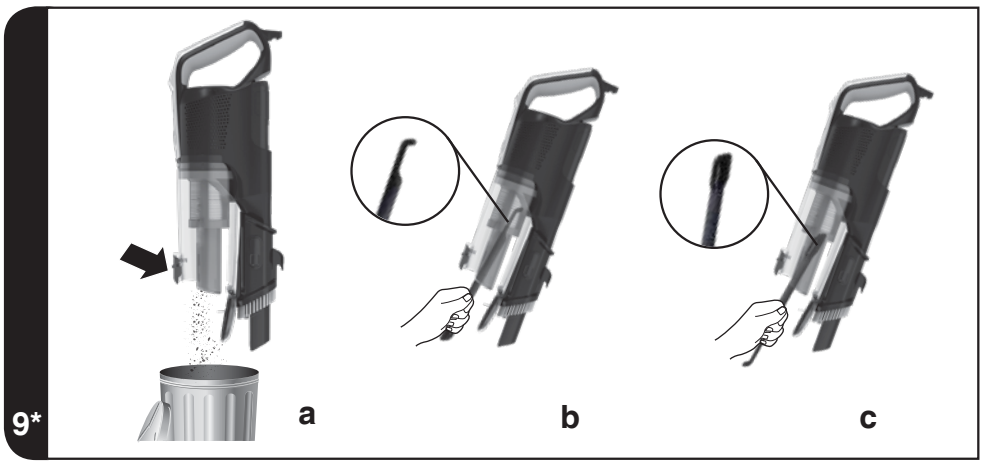


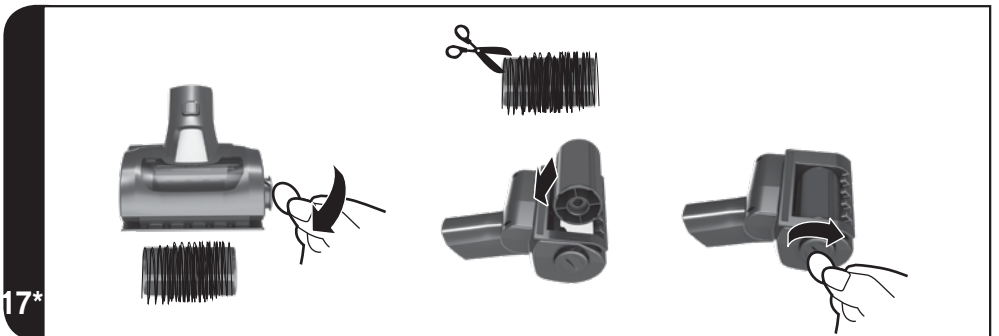
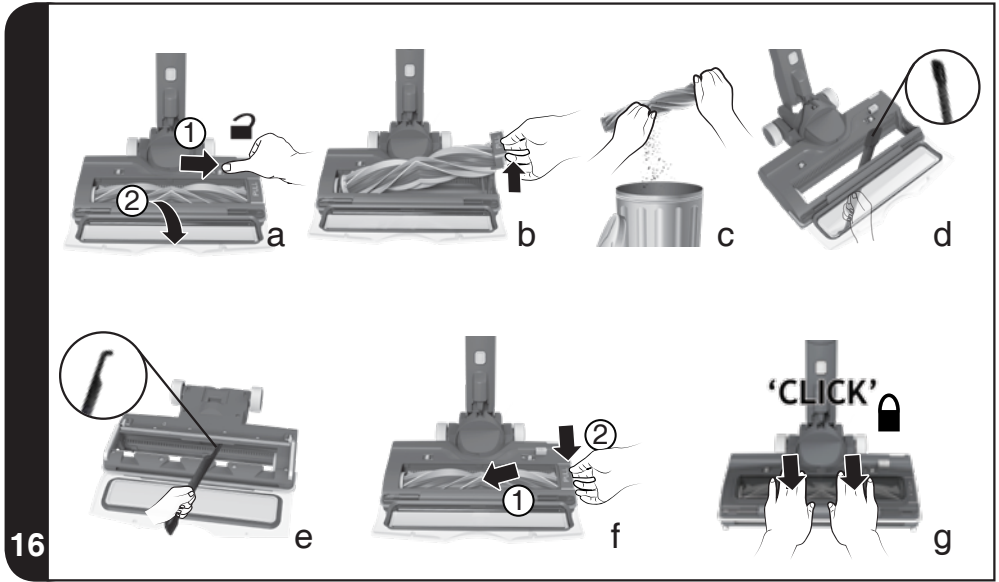
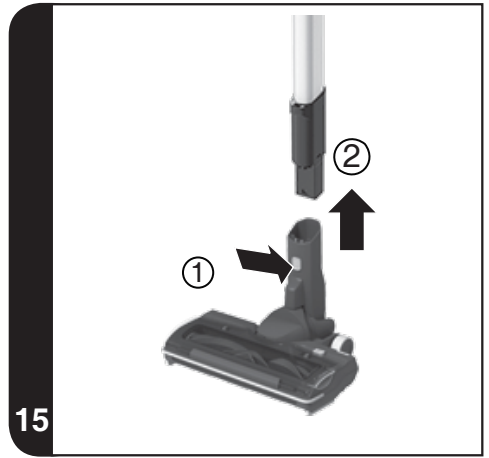
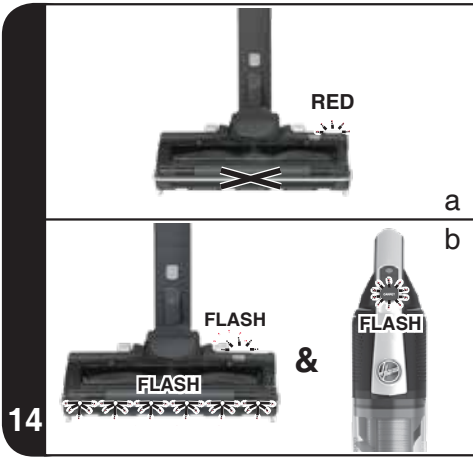


* Certain models only, accessories may vary according to model









INSTRUCTIONS FOR SAFE USE

This appliance should only be used for domestic cleaning, as described in this user guide. Please ensure that this guide is fully understood before operating the appliance.

Always switch off and remove the charger from the socket before cleaning the appliance or any maintenance task.

This appliance can be used by children aged from 8 years and above and persons with reduced physical, sensory or mental capabilities or lack of experience and knowledge if they have been given supervision or instruction concerning use of the appliance in a safe way and understand the hazards involved. Children shall not play with the appliance. Cleaning and user maintenance shall not be made by children without supervision.

If the power cord is damaged stop using the appliance immediately. To avoid a safety hazard, an authorised Hoover service engineer must replace the power cord.

Keep hands, feet, loose clothing and hair away from rotating brushes.

Use only the original charger supplied with the appliance.

Check that your supply voltage is the same as that stated on the charger.

This appliance is supplied with a double insulated battery charger which is only suitable for insertion in a 230V (UK 240V) socket outlet.

Plug the charger in to suitable socket outlet and connect the charger jack plug to the appliance.

Switch off the appliance before charging.

The battery pack LED light will illuminate RED during charging and will turn WHITE when fully charged.

Re-connect the appliance to the charger after use to recharge the battery.

Never charge the batteries in temperatures above 37°C or below 0°C.

It is normal for the charger to become warm to the touch when charging.

Do not unplug the charger by pulling on the power cord.

Unplug the charger in the event of prolonged absence (holidays,

etc.). Recharge appliance again before use as batteries may self discharge over increased periods of storage.

If the appliance is to be disposed of the batteries must first be removed. The appliance must be disconnected from the supply mains when removing the battery. Dispose of the batteries safely. Run the appliance until it stops because the batteries are fully discharged. Used batteries should be taken to a recycling station and not disposed of with household waste. To remove the batteries, please contact the Hoover Customer Centre or proceed according to the following instructions.

IMPORTANT: Always fully discharge the batteries before removal and ensure the charger is unplugged.

Run the cleaner until the batteries are completely empty.

Remove the charger jack plug from the appliance.

Press the battery pack release buttons and slide to remove.

NOTE: Should you experience any difficulty in dismantling the unit or for more detailed information on treatment, recovery and recycling of this appliance, please contact your local city office or your household waste disposal service.

Use only attachments, consumables or spares recommended or supplied by Hoover.

Static electricity: Some carpets can cause a small build up of static electricity. Any static discharge is not hazardous to health.

Do not use your appliance out of doors or on any wet surface or for wet pick up.

Do not pick up hard or sharp objects, matches, hot ashes, cigarette ends or other similar items. Do not spray with or pick up flammable liquids, cleaning fluids, aerosols or their vapours.

Do not run over the power cord when using your appliance or remove the plug by pulling on the power cord. Do not continue to use your appliance or charger if it appears faulty.

Hoover service: To ensure the continued safe and efficient operation of this appliance we recommend that any servicing or repairs are only carried out by an authorised Hoover service engineer.

Do not use the appliance to clean animals or people.

Do not replace the batteries with non-rechargeable batteries.

The Environment:

This appliance is marked according to the European directive 2011/65/EC on Waste Electrical and Electronic Equipment (WEEE). By ensuring this product is disposed of correctly, you will help prevent potential negative consequences for the environment and human health, which could otherwise be caused by inappropriate waste handling of this product. The symbol on the product indicates that this product may not be treated as household waste. Instead it shall be handed over to the applicable collection point for the recycling of electrical and electronic equipment. Disposal must be carried out in accordance with local environmental regulations for waste disposal. For more detailed information about treatment, recovery and recycling of this product, please contact your local city office, your household waste disposal service or the shop where you purchased the product.



This product complies with the European Directives 2014/35/EU, 2014/30/EU and 2011/65/EU.

CANDY HOOVER GROUP S.r.l. Via Privata Eden Fumagalli, 20861 Brugherio (MB) Italy

PRODUCT COMPONENTS

- | | |
|----------------------------------|---|
| A. ON/OFF Button | R. Maintenance status LED Light |
| B. Turbo Button | S. Battery Charging Light |
| C. Carpet Button | T. Battery Release Button |
| D. Dust Cup | U. Battery Pack |
| E. Dust Bin Flap Release Button | V. Battery Charging Inlet |
| F. Handheld Release Button | W. Charger |
| G. Storage Release Button | X. Wall Mount* |
| H. Tube | Y. Wall Mount Screws* |
| I. Nozzle Release Button | Za. Integrated 2in1 Furniture Tool |
| J. Nozzle Front LED lights | Zb. Integrated 2in1 Dusting Brush |
| K. Brushbar Release Cover Slider | AA. Mini Power Nozzle* |
| L. Brushbar Release End Cap | AB. Mini Power Nozzle Brushbar |
| M. Brushbar Status LED* | AC. Mini Power Nozzle Brushbar Release Flap |
| N. Pre-Motor Filter | AD. Long Crevice Tool* |
| O. Single Cyclone Vortex Finder | AE. Accessories Bag* |
| P. Single Cyclone | AF. Brushbar |
| Q. Battery Status LED Light | AG. Nozzle Window |
| | AH. Cleaning Tool* |

PREPARING YOUR CLEANER

Carefully remove your product from the packaging.

1. Pick up the nozzle and tube, assemble one end of the tube into the nozzle neck until you hear it 'click' into location. **[1a]**
2. Pick up the Handheld unit and assemble onto the tube until you hear it 'click' into location. **[1b]**
3. Fix the Wall Mount to your wall using the screws and screw plugs provided. **[2]**
4. To fully charge the appliance, connect the charger jack plug to the battery pack. It will take around 2.5Hrs or 6Hrs depending on your model.

NOTE: To remove the nozzle, press the nozzle release button and pull away from the main body.

NOTE: Use only the charger supplied with your cleaner to recharge. It is normal for the charger to become warm to touch when charging.

* Certain Models Only

USING YOUR CLEANER

There are 4 working modes.

• **STANDARD MODE:** When you press ON-OFF button, the cleaner is ready to clean thoroughly with the main motorized nozzle. [3a]

• **CARPET MODE:** Carpet button controls the brushbar and it activates or disactivates the brush bar. [3b]

• **TURBO MODE:** Press the Turbo button to fully power the product for hard cleaning tasks. [3c]

• **AUTO MODE:** When you remove the nozzle or the tube, the product automatically adapts to lower power for above floor cleaning, with non-motorized tools.

NOTE: This cleaner has a Brushbar on the front side of the nozzle and allows pick up of dust and debris from hard floors, parquet and carpets.

NOTE: For hard cleaning task, it is recommended to use Turbo Mode.

NOTE: The product has memory feature and it will restart in its latest setting.

BRUSHBAR STATUS

The brush bar status LED on the nozzle will stay illuminated white during all floor cleaning modes and will turn red if the safety protection system is activated. [14a]

STORAGE FUNCTION

After use, your cleaner has 2 convenient storage methods.

1. WALL MOUNT STORAGE

Your product is supplied with a wall mount for convenient easy storage. Using the screws provided, fix the Wall mount to your wall. After product use, simply place your cleaner into location. [2]

2. COMPACT STORAGE/PARKING MODE

To store the product on the tube, remove the handheld unit by pressing the handheld release button. [5]

Ensure the integrated 2in1 tool (z) is returned to its original position as supplied ensuring the tool is located fully home with the dusting brush and locating hook in the downward position.

Assemble the locating hook into the lower slot on the tube, and push the rear handle fully home into the locking mechanism located at the top of the tube. [6]

SAFETY PROTECTION SYSTEMS

To ensure the reliability of the product is not affected if used under arduous conditions, the product features three integrated Safety protection systems, one on the cleaner and two on the nozzle.

NOTE: The Safety protection systems will action in three conditions:

1. If there are obstructions in the air inlet or in the tube, the cleaner will be protected and turn OFF, and the LED light on the main unit turns to red. If this happens simply check if there are any obstructions in the tube or in the air inlet of the handheld. Remove it and switch ON again.

2. If the brushbar has a blockage or is locked, once actioned, the brushbar will stop rotating and the WHITE LED lights of the brushbar Status LED will turn to RED. [14a] If this happens, simply turn off your product and clear the brushbar obstruction. To resume cleaning, press the on/off button and the product will start working again.

3. If the nozzle window is not completely closed the brushbar will not rotate, the brushbar status LED, the nozzle front LED lights and carpet button will flash WHITE continuously. [14b]

If this happens, simply turn off your product and ensure the nozzle window is completely closed and switch on again.

BATTERY

This cleaner is equipped with a Battery Status LED Light. When the product is ON, the LED light illuminates in different colours to show the battery level.

BATTERY LEVEL:

White colour: 100% - 10% charge

Red colour blinking: <10% charge

There are 2 methods of charging:

Charge the battery when fitted to the product.

Insert the battery charger jack to the battery. The LED status indicator will illuminate RED when charging. When charging is complete, the LED status indicator will illuminate WHITE for 1 min then switch off. [7]

* Certain Models Only

Charge the battery when removed from the product.

Remove the battery from the product by pressing the battery release buttons.

Insert the battery charger jack to the battery. The battery pack LED will illuminate RED when charging. When charging is complete, the LED indicator will illuminate WHITE. [8]

NOTE: It is normal for the charger to become warm to touch when charging. Use only the charger supplied with your product.

ACCESSORIES

Integrated Crevice Tools - ideal for accessing tight spaces.

Dusting Brush - ideal for cleaning surfaces without damaging or scratching.

Furniture Tool - ideal for cleaning surfaces like sofa.

Mini Power Nozzle* - ideal for deep cleaning textile surfaces (i.e. sofas) and pet hair removal. The working angle can be adjusted when move backwards and forwards.

NOTE: After using, please rotate the brushbar release flap anti-clockwise with a coin to take out the brushbar, and then remove hair / threads collected on the brush. [17]

All the accessories except cleaning tool can be fitted on the main product and on the tube. [4]

Long Crevice Tool* - Ideal for tight and difficult areas.

Cleaning Tool* - Ideal to remove the dust, debris and hair in the dust bin or in the nozzle. [9,16]

ACCESSORY BAG*

Accessories can be stored in the accessory bag.

Wall Mount*

If required, fix the wall mount to the wall, using the two screws and plugs provided. [2]

CLEANER MAINTENANCE

Pre-filter maintenance reminder. If the pre-filter needs maintenance, the red light on the cleaner starts to blink in red colour.

Emptying the Dust Cup

1. Press the handheld release button and remove the tube. [5]
2. Press the dust cup empty button to release the bin flap and empty the contents. [9a]
3. Close the dust cup flap, you will hear a click when fully locked.

NOTE: It is recommended to empty the dust cup after each use or when dust is up to the max fill line.

Quick Daily Cleaning of Dust Cup

Just open the dust bin flap and remove the dust with the help of the cleaning tool.

1. Use the hook end to pull out the dust collected inside the dust bin. [9b]
2. Use the brush end to clean the fine dust stuck around the metal mesh filter. [9c]

Cleaning the Dust Cup and Filter

The LED indicator on the product will flash RED to indicate the cleaning Pre-motor Filter is required.

1. Press the handheld release button and remove the handheld unit from the tube. [5]
2. Press the battery release button and remove the battery.
3. Remove the dust bin assembly by turning it clockwise and pulling away from the unit. [10]
4. Remove the Pre-Motor filter pulling the support from the bin assembly. [11a]
5. Remove the single cyclone system pulling the metal ring from the bin assembly. [11a]
6. Remove vortex finder by rotating clockwise and pull from the cyclone system. [11b]
7. Wash the filter and single cyclone system in lukewarm water and leave to dry for 24 hours. [12,13]
8. Reassemble once completely dry and refit to the product.

NOTE: Do not use hot water or detergents when cleaning the pre-motor filter. In the unlikely event of the pre-motor filter becoming damaged, fit a genuine Hoover replacement. Please ensure you refit the pre-motor filter before assembling dust bin to cleaner main body otherwise the filter protection mechanism will be activated.

IMPORTANT: For optimum performance, always keep your filter clean. We recommend that the filter should be washed at least once a month.

Cleaning the Brushbar and the Nozzle

IMPORTANT: Always switch off the cleaner before changing and cleaning the brushbar.

If there are any obstructions or fine dust around the brushbar:

1. Remove the nozzle from the tube. [15]
2. Move the slider to the right and the nozzle window will pop open. [16a]
3. Fully open the nozzle window to remove the hybrid brushbar. [16a]
4. Hold the brushbar release end cap and remove the brushbar. [16b]
5. If there is remaining dirt in the brushbar, remove it manually or with the help of the cleaning tool. [16c]
6. If there is dirt inside the nozzle or around the comb, remove it by using the brush of the cleaning tool. [16d]
7. To ensure nozzle is fully clear of any obstructions, turn the nozzle over and check along the bottom area. If required, clean this area using the Hook of the cleaning tool provided. [16e]
8. Turn the nozzle to the initial position and re-fit the brushbar. The brushbar can only fit in one direction and press the end slightly to make sure the brushbar is in place. [16f]
9. Close the window by pressing the middle area of window until you hear it “click” into place. Check the window is completely locked by pressing on both sides. [16g]

Replacing the Batteries

This cleaner is fitted with a rechargeable lithium ion battery pack which is replaceable.

WARNING: Only use approved replacement parts for your cleaner. Using parts not validated by hoover are dangerous and will invalidate your guarantee.

WARNING: Do not try to open the battery pack and repair it by yourself.

1. Press the battery release buttons and pull the battery outside.[8]
2. Removed the old battery pack and replace with the new battery pack.
3. Dispose of the batteries safely. Used batteries should be taken to a recycling station and not disposed of with household waste.

TROUBLE SHOOTING

Should you have any problem with the cleaner, follow this simple check list before calling the Hoover Customer Service Centre:

A. Cleaner does not switch on

Check if the cleaner is charged

Check if the battery pack is assembled in place.

B. Cleaner stop working

Check if there is an obstruction in air inlet or in the tube, clear it and ensure the product is OFF. Once this is done simply press the on/off button, the product will start working again.

C. Loss of suction or no suction

Empty the dust cup and wash the pre-filter and separation system. [12, 13]

Remove nozzle and check for any blockages in the duct.

D. Batteries cannot be charged

This may be a result of very long storage periods (over half year).

Contact Hoover customer service to arrange battery replacement.

If the problem persists, contact the Hoover customer service center

E. Brushbar Status LED is RED

There is a blockage in the nozzle or an obstruction to the brushbar. See Cleaner Maintenance section.

F. Brushbar Status LED, nozzle front LED lights and carpet button are flashing WHITE.

The nozzle window has not been completely closed.

If this happens, simply turn off your product and ensure the nozzle window is completely closed and switch on again.

HOOVER SPARES AND CONSUMABLES

Always replace parts with genuine Hoover spares. These are available from your local Hoover dealer or direct from Hoover. When ordering parts always quote your model number.

YOUR GUARANTEE

The guarantee conditions for this appliance are as defined by our representative in the country in which it is sold. Details regarding these conditions can be obtained from the dealer from whom the appliance was purchased. The bill of sale or receipt must be produced when making any claim under the terms of this guarantee.

IMPORTANT: the battery in this cleaner is guaranteed for one year from the date of purchase. After one year the customer is liable for the cost of a new battery.

Subject to change without notice.



®