



# HOVER

## HOBS

USER INSTRUCTIONS \_\_\_\_\_

**GB**

## PIANI COTTURA

ISTRUZIONI D'USO E DI INSTALLAZIONE \_\_\_\_\_

**IT**

## TABLE DE CUISSON

NOTICE D'EMPLOI ET D'INSTALLATION \_\_\_\_\_

**FR**

## VARNÉ DESKY

NAVOD POUŽITÍ \_\_\_\_\_

**CZ**

## KOCHMULDE

GEBRAUCHS - UND INSTALLATIONSANWEISUNGEN \_\_\_\_\_

**DE**

## ANKASTRE OCAK

KULLANIM KILAVUZU \_\_\_\_\_

**TR**

**HH74DBXP**

<b>CONTENT</b>	<b>GB</b>
SAFETY INSTRUCTIONS .....	03
1. General warnings .....	04
2. Protection of the environment .....	04
3. Installation .....	04
4. Electrical connection .....	05
5. Hob cookware advice .....	06
6. Use .....	07
7. Cleaning and maintenance .....	09
8. Problem solving .....	09
9. Aftercare .....	10

<b>INDICE</b>	<b>IT</b>
ISTRUZIONI DI SICUREZZA .....	11
1. Avvertenze generali .....	12
2. Salvaguardia dell'ambiente .....	12
3. Installazione .....	12
4. Collegamento elettrico .....	13
5. Consigli sui recipienti di cottura per il piano .....	14
6. Uso .....	15
7. Pulizia e manutenzione .....	17
8. Risoluzione del problema .....	18
9. Manutenzione aggiuntiva .....	18
10. Garanzie .....	18

<b>SOMMAIRE</b>	<b>FR</b>
CONSIGNES DE SÉCURITÉ .....	19
1. Avertissements généraux .....	20
2. Protection de l'environnement .....	20
3. Installation .....	20
4. Raccordement électrique .....	21
5. Conseils concernant les ustensiles de cuisine pour la table de cuisson .....	22
6. Utilisation .....	23
7. Nettoyage et entretien .....	25
8. Résolution de problèmes .....	26
9. Contrôle d'entretien préliminaire.....	26

<b>OBSAH</b>	<b>CZ</b>
BEZPEČNOSTNÍ OPATŘENÍ .....	27
1. Všeobecná upozornění .....	28
2. Ochrana životního prostředí .....	28
3. Instalace .....	28
4. Elektrické připojení .....	29
5. Doporučení ohledně nádobí pro varnou desku .....	30
6. Použití .....	31
7. Čištění a údržba .....	33
8. Řešení problémů .....	33
9. Následná péče .....	34

<b>INHALT</b>	<b>DE</b>
SICHERHEITSHINWEISE .....	35
1. Allgemeine Warnhinweise .....	36
2. Umweltschutz .....	36
3. Installation .....	36
4. Elektrischer Anschluss .....	37
5. Tipps zum Kochgeschirr .....	38
6. Benutzung .....	39
7. Reinigung und Wartung .....	41
8. Problembhebung .....	42
9. Kundendienst .....	42

<b>İÇİNDEKİLER</b>	<b>TR</b>
GÜVENLİK TALİMATLARI .....	43
1. Genel uyarılar .....	44
2. Çevrenin korunması .....	44
3. Kurulum .....	44
4. Elektrik bağlantısı .....	45
5. Ocak için pişirme gereci tavsiyesi .....	46
6. Kullanım .....	47
7. Temizlik ve bakım .....	49
8. Sorun giderme .....	49
9. Satış sonrası bakım .....	50
Garanti Belgesi .....	51

## SAFETY INSTRUCTIONS

We recommend you keep the instructions for installation and use for later reference, and before installing the hob, note its serial number in case you need to get help from the after sales service.

**WARNING:** the appliance and its accessible parts become hot during use. Care should be taken to avoid touching heating elements. Children under 8 years of age must be kept away from the appliance unless they are continuously supervised.

**WARNING:** use only hob guards designed by the Manufacturer of the cooking appliance or indicated by the Manufacturer of the appliance in the instructions for use as suitable or hob guards incorporated in the appliance. The use of inappropriate guards can cause accidents.

**WARNING:** unattended cooking on a hob with fat or oil can be dangerous and may result in fire. NEVER try to extinguish a fire with water, but switch off the appliance and then cover flame e.g. with a lid or a fire blanket.

**WARNING:** danger of fire: do not store items on the cooking surfaces.

**WARNING:** if the surface is cracked, do not touch the glass and switch off the appliance to avoid the possibility of electric shock.

This appliance can be used by children aged from 8 years and above and people with reduced physical, sensory or mental capabilities or lack of experience and knowledge if they have been given supervision or instruction concerning use of the appliance in a safe way and understand the hazards involved. Children should be supervised to ensure that they do not play with the appliance. Cleaning and user maintenance shall not be made by children without supervision.

**CAUTION:** the cooking process must be supervised. A short term cooking process has to be supervised continuously.

It is strongly recommended to keep children away from the cooking zones while they are in operation or when they are switched off, so long as the residual heat indicator is on, in order to prevent the risks of serious burns.

This appliance is not intended to be operated by means of an external timer or separate remote control system.

If present do not to stare into halogen lamp hob elements.

Connect a plug to the supply cable that is able to bear the voltage, current and load indicated on the tag and having the earth contact. The socket must be suitable for the load indicated on the tag and must be having the earth contact connected and in operation. The earth conductor is yellow-green in color. This operation should be carried out by a

suitably qualified professional. In case of incompatibility between the socket and the appliance plug, ask a qualified electrician to substitute the socket with another suitable type. The plug and the socket must be conformed to the current norms of the installation country. Connection to the power source can also be made by placing an omnipolar breaker between the appliance and the power source that can bear the maximum connected load and that is in line with current legislation.

The yellow-green earth cable should not be interrupted by the breaker. The socket or omnipolar breaker used for the connection should be easily accessible when the appliance is installed.

The disconnection may be achieved by having the plug accessible or by incorporating a switch in the fixed wiring in accordance with the wiring rules.

If the supply cord is damaged, it must be replaced by Manufacturer, its service agent or similarly qualified people in order to avoid a hazard. The earth conductor (yellow-green) must be longer than 10 mm on the terminal block side. The internal conductors section should be appropriate to the power absorbed by the hob (indicated on the tag). The type of power cable must be HO5V2V2-F.

Do not put metallic objects such as knives, forks, spoons or lids on the hob. They could heat up.

Aluminum foil and plastic pans must not be placed on heating zones.

After every use, some cleaning of the hob is necessary to prevent the build-up of dirt and grease. If left, this is recooked when the hob is used and burns giving off smoke and unpleasant smells, not to mention the risks of fire propagation.

Never use a steam or high pressure spray to clean the appliance.

Do not touch the heat zones during operation or for a while after use.

Never cook food directly on the glass ceramic hob.

Always use the appropriate cookware. Always place the pan in the center of the unit that you are cooking on.

Do not place anything on control panel.

Do not use the hob as a working surface.

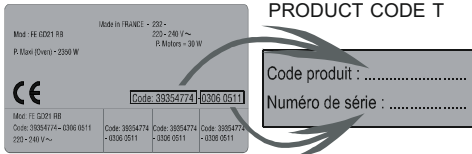
Do not use the surface as a cutting board.

Do not store heavy items above the hob. If they drop onto the hob, they may cause damage.

Do not use the hob for storage of any items.

Do not slide cookware across the hob.

Identification Plate (located under the hob's bottom casing)



## 1. GENERAL WARNINGS

By placing the **CE** mark on this appliance we are assuring compliance to all European Safety, Health and Environment requirements which are applicable for this product category.

## 2. PROTECTION OF THE ENVIRONMENT



This appliance is marked according to European Directive 2012/19/EU on Waste Electrical and Electronic Equipment (WEEE). WEEE contains both polluting substances (which can cause negative consequences for the environment) and basic components which can be reused. It is important to have WEEE subjected to specific treatments, in order to remove and dispose properly all pollutants and recover and recycle all materials.

Individuals can play an important role in ensuring that the WEEE does not become an environmental issue; it is essential to follow some basic rules:

- WEEE shall not be threatened as household waste.
- WEEE shall be handled over to the relevant collection points managed by the municipality or by registered companies. In many Countries, for large WEEE, home collection could be present.
- In many Countries, when you buy a new appliance, the old one may be returned to the retailer who has to collect it free of charge on a one-to-one basis, as long as the appliance is of equivalent typology and has the same functions as the supplied one.

## 3. INSTALLATION

Installing a domestic appliance it is a complicated operation which, if not carried out correctly, can seriously have impact on safety of goods, properties or people. For this reason, it should be carried out by a professionally qualified person in accordance with technical regulations.

In the event that this advice is ignored and installation is carried out by an unqualified person, the Manufacturer declines all responsibility for any technical failure of the appliance whether or not it results in damage of goods or properties or in injury of people or animals.

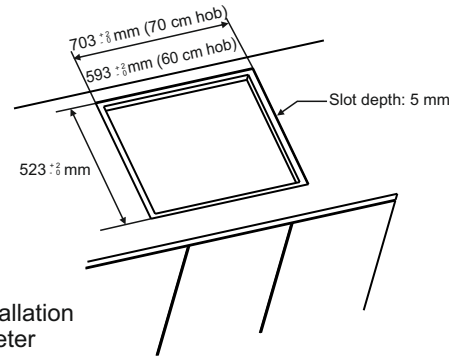
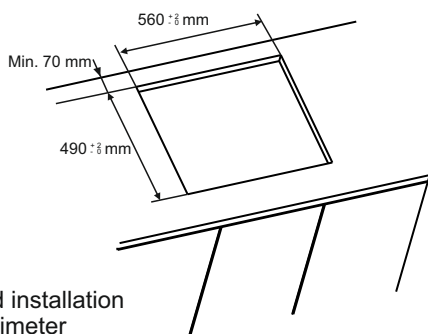
After having removed the packaging please be sure that the appliance it is not damaged, otherwise contact the Retailer or Manufacturer After Sales Service.

Make sure that the furniture in which the appliance will be fitted and all other furniture in the nearby are made with materials which can withstand high temperatures (min 100 °C).

In addition, all decorative laminates should be fixed with high-resistance glue.

Appliance can be installed in a Built-in furniture in "Standard" or "Flush" mode.

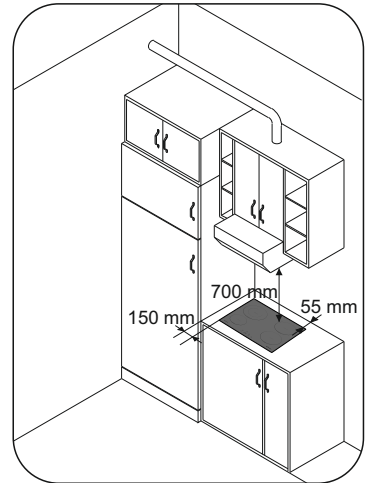
Worktop thickness should be between 25 and 45 mm.



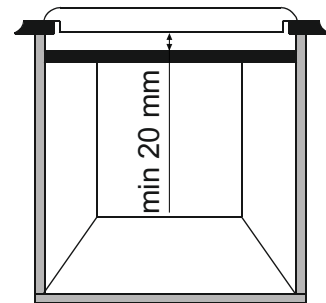
**Note:** Inner perimeter dimensions are same with standard installation

Leave a distance of at least 55 mm between the hob and the back wall and of at least 150 mm between the hob and the vertical furniture or walls in the lateral side. If a furniture is installed above the hob, the minimum distance required is 700 mm.

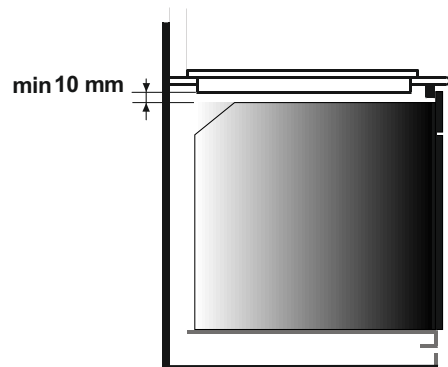
When installing a hood above the hob, please consult the installation requirements specified for the hood but, in any case, the distance between the hob and the hood must not be lower than 700 mm.



If the bottom part of the hob is adjacent to an area normally accessible for handling or cleaning operations, a separator it must be put 20 mm below the bottom part of the hob.

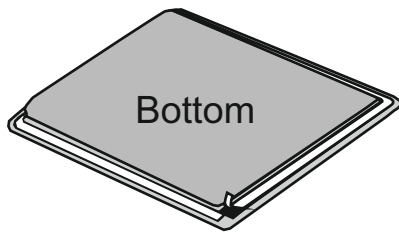


When installing an oven under the hob, separator must not be put and the minimum distance between the bottom part of the hob and the oven must not be lower than 10 mm. Do not install not cooled oven under this hob and install the oven following its own installation requirements.



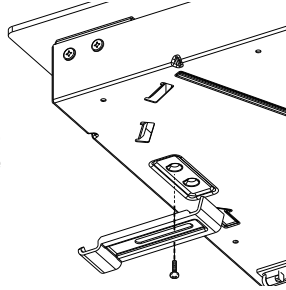


A watertight seal gasket is supplied with the hob. Fit the seal gasket around the bottom hob as described and make sure that it is properly fitted to avoid any leakage into the supporting furniture.

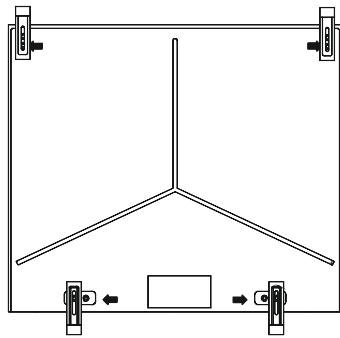


**Normal Fixing:**

- Get the fixing clips from accessory bag and screw them into the position shown on bottom box. (Do not tighten the screws to block clips, they should move freely)

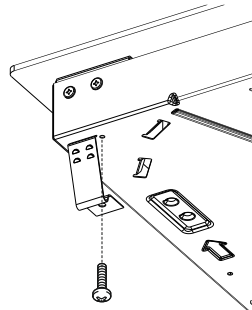


- Insert the hob in center position of cut out.  
- Turn the clips and tighten them fully.

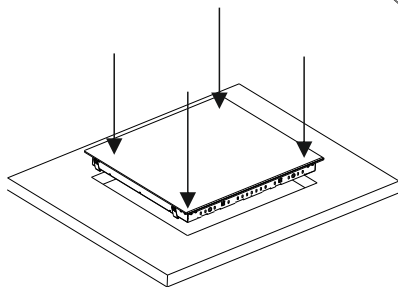


**Quick Fixing: (Depending on model)**

Get four springs from accessory bag and screw them onto bottom box as shown in figure.

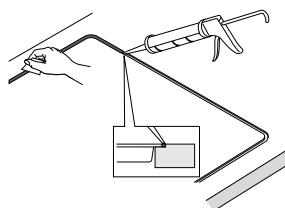


Center and insert the hob. Press the sides of hob until it is supported around its entire perimeter.

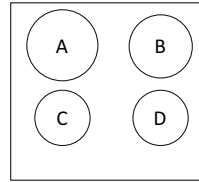


**FLUSH INSTALLATION**

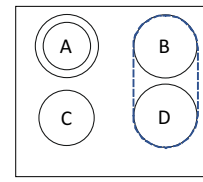
After checking that the position of the hob is correct fill the gap between the worktop and the hob with silicone adhesive. Flatten the silicone layer with a scraper or with wet finger dampened with water and soap before it forms. Do not use the hob until the silicone layer it is completely dry.



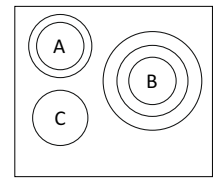
**4. ELECTRICAL CONNECTION**



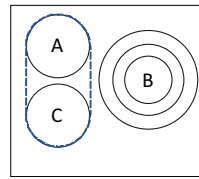
LAYOUT 1



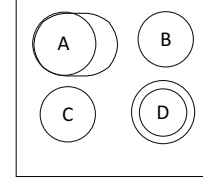
LAYOUT 2



LAYOUT 3



LAYOUT 4



LAYOUT 5

	A	B	C	D
<b>LAYOUT 1</b>	2300W	1800 W	1200 W	1200 W
<b>LAYOUT 2</b>	1000+700 W	1800 W	1200 W	1800 W
<b>LAYOUT 3</b>	1000+700 W	1050+900+750 W	1200 W	-
<b>LAYOUT 4</b>	1800W	1050+900+750 W	1800 W	-
<b>LAYOUT 5</b>	1500+900 W	1200 W	1200 W	1000+700 W

**LAYOUT**

1  
2  
3  
4  
5

According to model

1. ON/OFF
2. "+"
3. "-"
4. TIMER
5. Additional cooking zone led
6. Cooking zone programming indicator
7. Bridge
8. Child lock
9. Melting
10. Boiling

**"Installation must conform to the standards & directives."  
 Manufacturer declines all responsibility for any damage that might be caused by unsuitable or unreasonable use.**

**WARNING:** Manufacturer cannot be held responsible for any incident or its consequences that may arise during the use of an appliance not linked to the earth, or linked to an earth whose continuity is defective. Before any electrical operation, please check the supply tension shown on the electricity meter, the adjustment of the circuit-breaker, the continuity of the connection to earth to the installation and that the fuse is suitable. The electrical connection to the installation should be made according to the rated power of the Appliance; this should be made via an Omni pole cut-out switch.

If the appliance has a socket outlet, it must be installed so that the socket outlet is accessible.

The yellow/green wire of the power supply cable must be connected to the earth of both power supply and appliance terminals. For any questions regarding power supply cord refer to After Sales Service or a qualified technician.

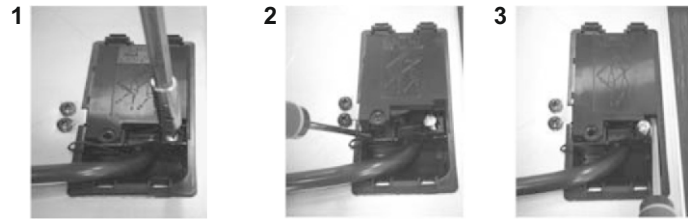
If the hob is fitted with power supply cord, this shall be connected only to a power supply of 220-240 V between phase and neutral.

It is however possible to connect the hob to:

- Three Phase 220-240 V3
- Three Phase 380-415 V2N

To proceed to the new connection, please follow below instructions: Before making the connection, make sure that the installation is protected by a suitable fuse, and that it is fitted with wires of a large enough section to supply the appliance normally. Turn over the hob, glass side against the working top, taking care to protect the glass.

**Open the cover in the following sequence:**



- unscrew the cable clamp "1";
- find the two tabs located on the sides;
- put the blade of a flat screw-driver in front of each tab "2" e "3", push in and press;
- remove the cover.

**To release the power supply cord:**

- Remove the screws retaining the terminal block which contains the shunt bars and the conductors of the supply cord;
- Pull out the supply cord.

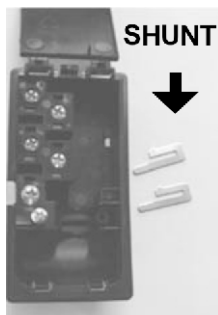
**Operations to be carried out to make a new connection:**

- Choose the power supply cable in accordance with the recommendations in the table;
- Pass the power supply cable into the clamp;
- Strip the end of each conductor of the supply cord on a 10 mm length, by taking in account the requested length of the cord for the connection to the terminal block;
- According to the installation and with the help of shunt bars which you should have recovered in the first operation, fix the conductor as shown on the chart;
- Fix the cover;
- Screw the cable clamp.

**Note: make sure the terminal board screws are tight.**

**Operations to be carried out to make a new connection:**

- Choose the power supply cable in accordance with the recommendations in the table;
- Pass the power supply cable into the clamp;
- Strip the end of each conductor of the supply cord on a 10 mm length, by taking in account the requested length of the cord for the connection to the terminal block;
- According to the installation and with the help of shunt bars which you should have recovered in the first operation, fix the conductor as shown on the chart;
- Fix the cover;
- Screw the cable clamp.



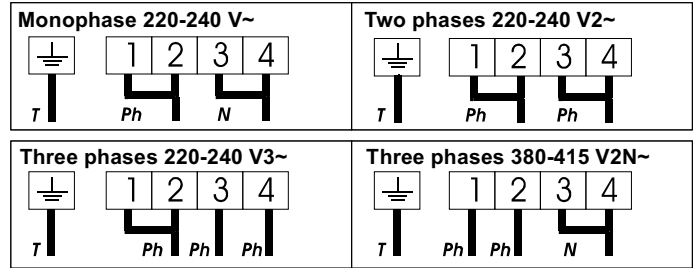
**ATTENTION:**

If it should be necessary to replace the power supply cord, connect the wire in accordance with following colors/codes:

BLUE	Neutral	(N)
BROWN	Live	(L)
YELLOW-GREEN	Earth	(⊕)

**Connection to the terminals on the terminal block**

	LAY OUT "1-3"	LAY OUT "2-4"
MONOPHASE or TWO PHASES 220-240 V~		
Cable HO5V2V2F	3x2,5 mm <sup>2</sup>	3x4 mm <sup>2</sup>
THREE PHASES 220-240 V3~		
Cable HO5V2V2F	4x1,5 mm <sup>2</sup>	4x1,5 mm <sup>2</sup>
THREE PHASES 380-415 V2N~		
Cable HO5V2V2F	4x1,5 mm <sup>2</sup>	4x1,5 mm <sup>2</sup>



Ph = Phase N = Neutral T = Earth

**5. HOB COOKWARE ADVICE**

Using good quality cookware is critical for setting the best performance from your hob.



- **Always use good quality cookware with perfectly flat and thick bases** : using this type of cookware will prevent hot spots that cause food to stick. Thick metal pots and pans will provide an even distribution of heat.
- **Ensure that the base of the pot or pan is dry** : when filling pans with liquid or using one that has been stored in the refrigerator, ensure that the base of the pan is completely dry before placing it on the hob. This will help to avoid staining the hob.
- **Use pans whose diameter is wide enough to completely cover the surface unit** : the size of the pan should be no smaller than the heating area. If it is slightly wider the energy will be used at its maximum efficiency.

**THE CHOICE OF COOKWARE** - The following information will help you to choose cookware which will give good performance.

**Stainless Steel** : *highly recommended*. Especially good with a sandwich clad base. The sandwich base combines the benefits of stainless steel (appearance, durability and stability) with the advantages of aluminium or copper (heat conduction, even heat distribution).

**Aluminium** : *heavy weight recommended*. Good conductivity. Aluminium residues sometimes appear as scratches on the hob, but can be removed if cleaned immediately.

Because of its low melting point, thin aluminium should not be used.  
**Cast Iron** : *usable, but not recommended*. Poor performance. May scratch the surface.

**Copper Bottom / stoneware**: *heavy weight recommended*. Good performance, but copper may leave residues which can appear as scratches. The residues can be removed, as long as the hob is cleaned immediately. However, do not let these pots boil dry. Overheated metal can bond to glass hobs. An overheated copper pot will leave a residue that will permanently stain the hob.

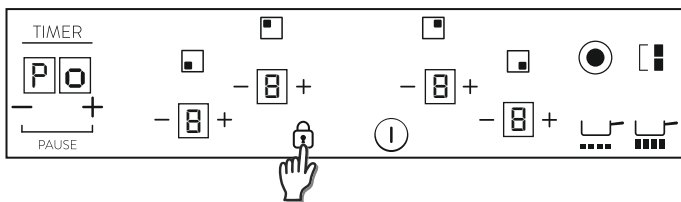
**Porcelain/enamel** : Good performance only with a thin smooth, flat base.  
**Glass-ceramic** : *not recommended*. Poor performance. May scratch the surface.

## 6. USE

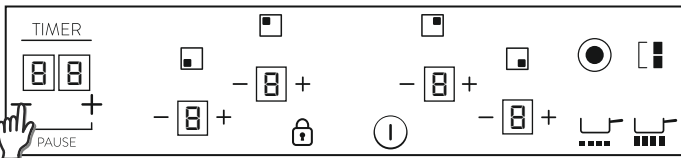
### How to choose power management level

Through the "Power management" function, the user can set the maximum power that can be reached by the hob. Power management function is only available during first 30 seconds after switch on the hob. There is even the possibility to repeat this setting switching off and on the power plug. By setting the desired maximum power, the hob automatically adjusts the distribution in the various cooking zones so that this limit is never exceeded; with the added advantage of being able to simultaneously manage all the zones without overload problems. The customer can set the maximum power of hob between 2.5 kW and the maximum related power of the hob (this can change according to the model). For example if the maximum power of the hob is 7 kW, the maximum power level for setting is between 2.5kW and 7 kW. After connecting the appliance to the electrical power, within 30 seconds you can set the power level based on the points shown below:

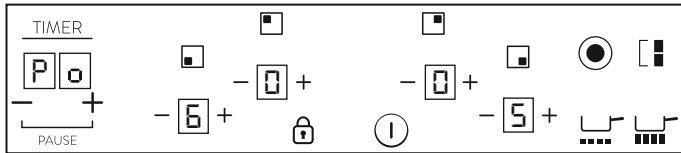
- 1.- Switch on hob.
- 2.- Let touch control finish its initialization process.
- 3.- Unlock the control.



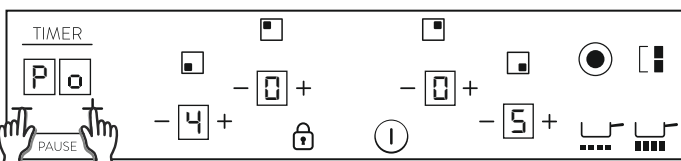
- 4.- Before pass 30 seconds after switch on the hob; touch for 5 seconds "-" key of timer.



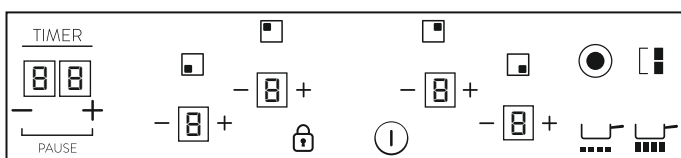
- 5.- After this moment, this message will appear on display, Po on timer display. Power level divided by 100 in heater displays.



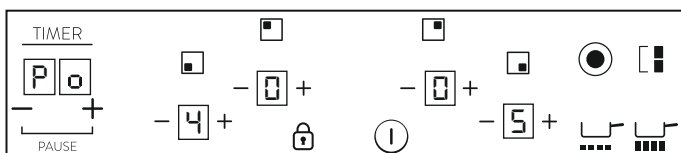
- 6.- Using '+' and '-' of Timer keys, Power Management value can be adjusted. When required value is selected, touch at the same time "+" and "-" keys during 5 seconds.



- 7.- When this process is finished, a long beep is heard and a reset is produced. Start-up process will be generated again.



- 8.- After start-up process, in timer display power management will be showed.

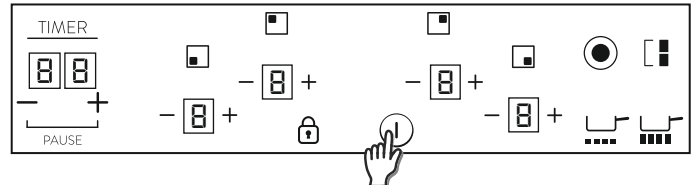


**After that, touch control won't allow any combination which can exceed this limit.**

### Notes:

- a) This power management is only available during first 30 seconds after switch on the hob.
- b) If this power management selection is ON, if more than 90 seconds after switch on the hob this process will be finish without any new power value were recorded.
- c) If this power management selection is ON, if any key is touched except the combination of timer "+" and "-", process will be finish **without any new** power value were recorded and touch control will start working as usual, without reset.
- d) If this power management selection is ON, if any key is touched the combination of timer "+" and "-", process will be finish **with a new** power value were **recorded**, **reset** and touch control will start working as usual.

### Switch ON/OFF a heater zone



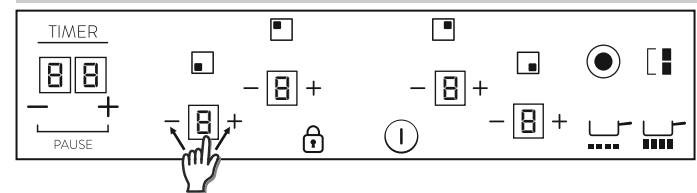
**To switch ON** a heater Touch power key during 400 msec. Long beep will be heard and "0" value will appear in target zone digit, indicating power level.

- 1) If any cooking stage is in position 0, this display will switch OFF automatically after 10 seconds and the zone OFF sequence will sound.
- 2) If there is residual heat indication in the display which is ON but in 0 power, "0" will appear changing over.
- 3) If lock function is active you cannot switch ON a zone.

**To switch OFF** a heater Touch power key during 1,2 sec. 3 Short beeps will be heard and nothing or "H" value will appear in target zone digit if residual heat exists. Zone will be OFF.

- 1) If any cooking stage is in position 0, this display will switch OFF automatically after 10 seconds and the zone OFF sequence will sound.
- 2) If there is residual heat indication in the display which is OFF, "H" will be displayed.
- 3) Even lock function is active you can switch OFF a zone.
- 4) If only one heater is active and this one is switched off, 4 Short beep will be heard indicating all cook top is Off.

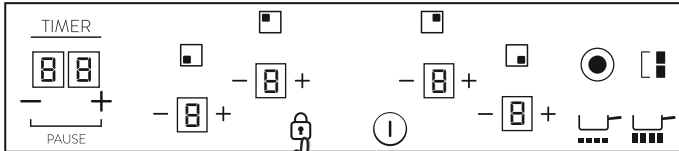
### Increase / Decrease power level



With a short press on '+' or '-' keys, Increase or decrease power in the selected zones digit: 0-1-2-3...9-P

1. For Long Presses in + or - keys, power level increases /decreases continuously. With a fast increase, power stops at level 9, and for a higher power another short press is needed on the + key. No beep sound is heard with fast increase / decrease.
2. Once arrived to P power level, pressing + key again does not change power level to 0. Once arrived to 0 power level, pressing - key again does not change power level to P.
3. With a zone ON at 0 power level, if the zone is hot, 0 will blink alternatively. After 10 seconds, 0 will disappear an 'H' letter will appear fixed on display.
4. When a heater is selected and '+' & '-' keys are touched at the same time, power level will go to '0' but heater will maintain selected during 10 seconds. If heater was temporized, timer will go to Off. This action can only be developed in several cases depending touch control configuration. The following examples are for information only. Personal experience should then let you adapt these settings to your taste and habits.

## Child Lock



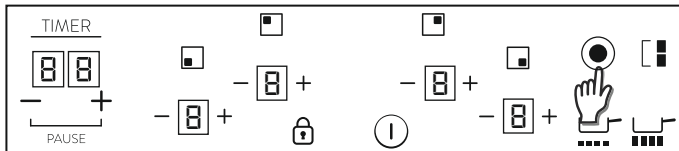
The action will be done  when lock key is touched

Then, any time when a key will be touched, displays will show "L" during 2sec. heating remains at the same state.

To deactivate Child Lock, follow the same process explained before. Then Short beep will be heard and displays will show "n" letter. Hob will remain unlocked.

Note: An automatic child lock will produce in 15 minutes after total Switch OFF of the hob.


## Double / Triple zones



To switch ON double extension ring, associated main zone must be already ON and Indicating power level must be higher than 0.


### 8.1- Double zone ON

1st Short Press on extension key Switches ON extension ring. LED over extension key turns ON if Extension ring is ON.

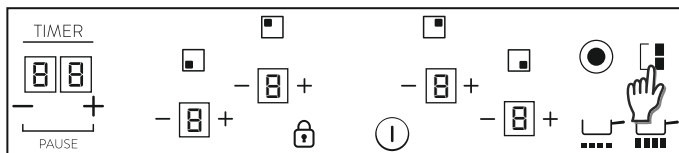
2nd Short Press on extension key Switches OFF extension ring.  Short beep each press on extension key.


### 8.2- Triple zone ON

1st Short Press on extension key Switches ON 1st extension ring. 1 LED over extension key turns ON if 1st extension ring is ON (left LED in case of triple zone, middle and only LED in case of double zone) 2nd Short Press on extension key Switches ON 2nd extension ring. 2 LEDs over extension key turn ON if 1st and 2nd extension rings are ON

3rd Short Press on extension key. Switches OFF 1st and 2nd extension rings.  Short beep each press on extension key.

## Bridge function



The bridge can be enabled only when both heaters are off. One heater of the bridge has been selected, to activate bridge function touch bridge key. 

A beep sounds and the zone LED is switched on if the zone is enabled. Both bridge heaters will be selected at the same time.

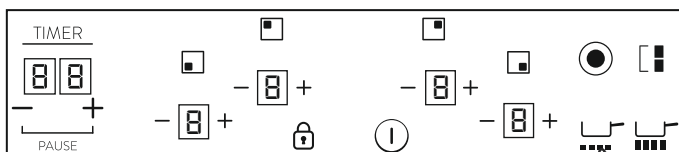
Once the heaters selected, if the power level is not the desired power level, by the + - keys.

Both bridge heater displays will show same power level.


The function will finish:

- If the bridge key is touched in setting mode
- If user selects power level "0"

## Melting function



After a heater has been selected, to activate melting function: 

- Select melting key 

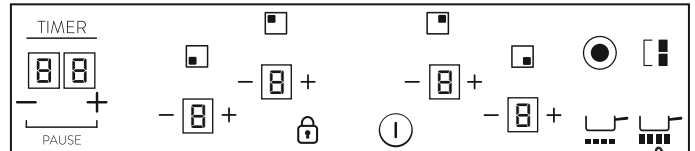
A tone sounds and heater display shows "U"

The heater will work at power level "2"


Being the heater selected, Melting function will finish

- If switched off
- If it is selected to other power level.

## Boiling Function:



After a heater has been selected, to activate Boiling function: 

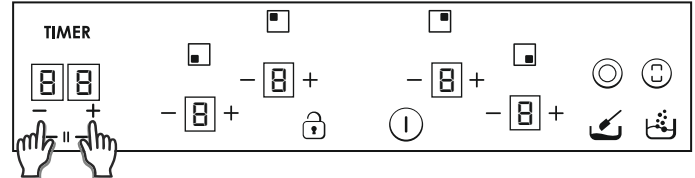
- Select Boiling key 

A tone sounds and heater display shows "P"

The heater will work at maximum power level for 10 minutes.

After these 10 minutes a tone sounds heater will return to level "9"

## Pause function



The Pause function allows temporary pausing of the cooking process, allowing the users to answer the door or the telephone without worrying that the water is boiling over. This function is also useful to clean the user interface surface without changing the cooking set up.

To select this function, the user should touch "timer +/- keys" together.

If the "timer +/- keys" are touched for 1/2 seconds:

A beep sounds and the cooktop is stopped,

The heaters actual power setting is stored and all the active heaters power is set to power level 0,

The heaters auto-switch off time is paused,

All the timers running count downs are paused,

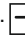
All keys are locked except "timer +/- keys" and "on/off key" (Timer keys can only be active if they are used together to deactivate pause function),

Timer displays nothing, and all the heaters displays are getting on and putting out "0", switching on segment by segment in left direction, and after that switching off segment by segment in right direction, continuously.

The stop function will finish:


if the "timer +/- keys" (together) are touched for more than 1/2 second a beep sounds and the heaters actual power setting and timer countdowns are restored, or if the cooktop is stopped for more than 10 minutes the cooktop is switched off automatically.

## Overflow security

Something (an object or a liquid) is pressing any key during more than 5s. 2 Short Beep + 1 Long beep every 30s while the key is pressed. Cook-top will turn Off.  This symbol will maintain blinking while the matter persist.

## Timer

To activate timer, heater must be selected and its power level must be greater than "0";

Select the zone to be timed. Power level of the zone greater than 0. Static  is displayed in the zone being timed. "0 0" in the digits reserved for the timer.

- 1) With "+" or "-" keys, timer time can be chosen. No Beeps at time change.
- 2) Pressing simultaneously timer "+/-" keys the timer is cancelled (goes to 00).
- 3) If timer "+" or "-" keys is maintained pressed during TBD time, there is quick setting.
- 4) When setting timer time, it is possible to go from "00" to "99" with "-" key, and from "99" to "00" with "+" key.
- 5) Maximum time 99 minutes.
- 6) When the time is elapsed and the hob is beeping, press any key and the alarm and digit sequence will end.



To activate timer, heater must be selected and its power level must be greater than "0";

Select the zone to be timed. Power level of the zone greater than 0. Static is displayed in the zone being timed. "0 0" in the digits reserved for the timer.

- 1) With "+" or "-" keys, timer time can be chosen. No Beeps at time change.
- 2) Pressing simultaneously timer "+/-" keys the timer is cancelled (goes to 00).
- 3) If timer "+" or "-" keys is maintained pressed during TBD time, there is quick setting.
- 4) When setting timer time, it is possible to go from "00" to "99" with "-" key, and from "99" to "00" with "+" key.
- 5) Maximum time 99 minutes.
- 6) When the time is elapsed and the hob is beeping, press any key and the alarm and digit sequence will end.
- 7) It is possible to adjust the timer time while the timer is previously running.
- 8) Power of timed zone can be modified without consequences on the timer programming.
- 9) Last minute will be displayed by seconds (For Variants only visible if we enter the timer programming while the last minute of the countdown)
- 10) Pressing the Timer key without any selected zone and when no zone is being timed, does nothing.
- 11) Pressing the Timer key without any selected zone and when many zones are being timed, the time shown in time digits changes in a rotatory way, and shows the time whose power display has the decimal point ON.
- 12) Alternatively Power (5s) and (0,5s) is displayed in the zone being timed.

Remaining time is displayed in the digits reserved for the timer. If multiple zones are timed, the smallest remaining time is displayed, and the decimal point is displayed in the corresponding zone.

### Residual Heat Indicator (In radiant heaters-> calculated)

The same indicators can be used for "residual heat" indication as well. A time table must be defined on this purpose: Rest Heat time=f (power level, working time).

While a temperature on the cook top glass surface is above 65°C(theory value), this condition will be shown in the associated display, by means of an "H".

To generate a temperature above 65°C a heating element has to be in operation for certain time, this time depends on the power level. Once this time has expired, the residual heat warning will be shown when the heating element is switched off.

### Automatic Safety Off

If the power level is not changed during a preset time, the corresponding heater turns off automatically. The maximum time a heater can stay on, depends on the selected cooking level.

Power level	Max. time on (hours)
1	10
2	5
3	5
4	4
5	3
6	2
7	2
8	2
9	2

**NOTE:** while an overheating situation should occur during the operation of the highest power levels, the Hob control will automatically adjust the power level in order to protect the hob from overheating.

## 7. CLEANING AND MAINTENANCE

. Before carrying out any maintenance work on the hob, allow it to cool down.

. Only products, (creams and scrapers) specifically designed for aglass ceramic surfaces should be used. They are obtainable from hardware stores.

. Avoid spillages, as anything which falls on to the hob surface will quickly burn and will make cleaning more difficult.

. It is advisable to keep away from the hob all substances which are liable to melt, such as plastic items, sugar, or sugar-based products.

### .MAINTENANCE:

- Place a few drops of the specialised cleaning product on the hob surface.
- Rub any stubborn stains with a soft cloth or with slightly damp kitchen paper.
- Wipe with a soft cloth or dry kitchen paper until the surface is clean.

### If there are still some stubborn stains:

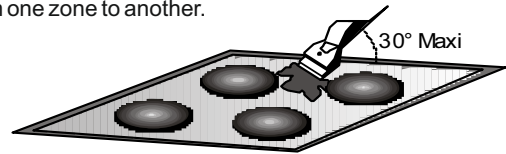
- Place a few more drops of specialised cleaning fluid on the surface.
- Scrape with a scraper, holding it at an angle of 30° to the hob, until the stains disappear.
- Wipe with a soft cloth or dry kitchen paper until the surface is clean.
- Repeat the operation if necessary.

### A FEW HINTS:

Frequent cleaning leaves a protective layer which is essential to prevent scratches and wear. Make sure that the surface is clean before using the hob again. To remove marks left by water, use a few drops of white vinegar or lemon juice. Then wipe with absorbent paper and a few drops of specialised cleaning fluid.

The glass ceramic surface will withstand scraping from flat-bottomed cooking vessels, however, it is always better to lift them when moving them from one zone to another.

NB:



**Do not use a sponge which is too wet.**

**Never use a knife or a screwdriver.**

**A scraper with a razor blade will not damage the surface, as long as it is kept at an angle of 30°.**

**Never leave a scraper with a razor blade within the reach of children.**

**Never use abrasive products or scouring powders.**

. **The metal surround** : to safely clean the metal surround wash with soap and water, rinse, then dry with a soft cloth.

**Any change in the colour of the glass-ceramic surface does not affect its operation or the stability of the surface. Such discolorations are mostly a result of burnt food residues or use of cookware made of materials such as aluminium or copper; these stains are difficult to remove.**

## 8. PROBLEM SOLVING

### **The cooking zones do not simmer or only fry gently**

Only use flat-bottomed pans. If light is visible between the pan and the hob, the zone is not transmitting heat correctly.

The pan bottom should fully cover the diameter of the selected zone.

### **The cooking is too slow**

Unsuitable pans are being used. Only use flatbottomed utensils, that are heavy and have a diameter at least the same as the cooking zone.

### **Small scratches or abrasions on the hob's glass surface**

Incorrect cleaning or rough-bottomed pans are used; particles like grains of sand or salt get between the hob and the bottom of the pan. Refer to the "CLEANING" section; make sure that pan bottoms are clean before use and only use smooth bottomed pans. Scratches can be lessened only the cleaning is done correctly.

**The cooking zones do not simmer or only fry gently**

Only use flat-bottomed pans. If light is visible between the pan and the hob, the zone is not transmitting heat correctly. The pan bottom should fully cover the diameter of the selected zone.

**The cooking is too slow**

Unsuitable pans are being used. Only use flatbottomed utensils, that are heavy and have a diameter at least the same as the cooking zone.

**Small scratches or abrasions on the hob's glass surface**

Incorrect cleaning or rough-bottomed pans are used; particles like grains of sand or salt get between the hob and the bottom of the pan. Refer to the "CLEANING" section; make sure that pan bottoms are clean before use and only use smooth bottomed pans. Scratches can be lessened only the cleaning is done correctly.

**Metal marks**

Do not slide aluminium pans on the hob. Refer to the cleaning recommendations. You use the correct materials, but the stains persist. Use a razor blade and follow the "CLEANING" section.

**Dark stains**

Use a razor blade and follow the "CLEANING" section.

**Light surfaces on the hob**

Marks from an aluminium or copper pan, but also mineral, water or food deposits; they can be removed using the cream cleaner.

**Caramelisation or melted plastic on the hob.**

Refer to the "CLEANING" section.

**The hob does not operate or certain zones don't work**

The shunts are not positioned correctly on the terminal board. Have a check made that the connection is done he control panel is locked. Unlock the hob.

**The hob does not cut off.**

The control panel is locked. Unlock the hob.

**Frequency of on/off operations for cooking zones**

The on-off cycles vary according to the required heat level:  
- low level: short operating time,  
- high level: long operating time.

**The cooktop is not working.**

Check the condition of the fuses / circuit breakers at your location. Check to see if you are experiencing a power failure.

**The cooktop has turned itself off.**

The main switch (ON/OFF key) was accidentally touched or there is any object above any key. Turn the unit on again without any object about the keyboard. Enter your settings again.

**Display F and numbers**

If F and numbers appears in the display, your unit has detected a fault. The following table list actions you can take to correct the problem.

**9. AFTERCARE****Before calling out a Service Engineer please check the following:**

— that the plug is correctly inserted and fused;  
If the fault cannot be identified switch off the appliance — do not tamper with it — call the Aftercare Service Centre. The appliance is supplied with a guarantee certificate that ensures that it will be repaired free of charge at the Service Centre.

Heater display	Fault	Action
F0	Touch control software error.	If error has occurred disconnected and connect again the cooktop to the power supply. If error persist, call after-sales service. If error appears suddenly in a normal operation, call after-sales service.
Fc	Touch control zone is too hot and has turned off all the heaters.	Wait until temperature goes down. Cook-top will be recovered when temperature reaches a normal value. When the message disappears, the hob may be used again.
Ft	Touch control temperature sensor can be damaged.	Wait until temperature goes down. If message persist when temperature reaches an environment value, call after-sales service.
FE	Touch control temperature sensor can be damaged.	Wait until temperature goes down. If message persist when temperature reaches an environment value, call after-sales service.
Fb	Excessive sensitivity on any key.	See if cook-top is mounted correctly. Be sure that keys touch correctly the glass surface.
FU / FJ	Security keyboard error	This error is a keyboard auto-check. It disappears when autocheck return to secure value. If error persist, call after-sale service.
FA	Security software error	This error is a software auto-check. It disappears when auto-check return to secure value. If error persist, call after-sale service.
FC / Fd	Security software error	This error is a software auto-check. It disappears when auto-check return to secure value. If error persist, call after-sale service.
Fr	Relays security error	Any relay driver can have any problemn. Remove cook-top from the power supply, wait a minute and switch on again. If error persist, call after-sale service.



## ISTRUZIONI DI SICUREZZA

Si consiglia di conservare le istruzioni di uso e montaggio per riferimento successivo e, prima di montare il piano di cottura, annotare il suo numero di serie per richiedere assistenza al Servizio post-vendita.

**AVVERTENZA:** l'elettrodomestico e le sue parti accessibili diventano calde durante l'uso. Prestare attenzione ad evitare qualsiasi contatto con le resistenze di riscaldamento. Mantenere lontani dall'elettrodomestico i bambini di età inferiore agli 8 anni, a meno che non siano continuamente supervisionati.

**AVVERTENZA:** utilizzare unicamente protezioni per piani di cottura progettate dal produttore della cucina o indicate dal produttore dell'elettrodomestico nelle istruzioni d'uso come adatte, o ancora protezioni incorporate nell'elettrodomestico. L'utilizzo di protezioni non adatte può provocare incidenti.

**AVVERTENZA:** la cottura senza sorveglianza su un piano di cottura in presenza di grasso o olio nella pentola può essere pericolosa, con rischio di incendi. **NON cercare MAI** di spegnere un incendio con acqua, bensì spegnere l'elettrodomestico e coprire la fiamma con un coperchio o una coperta antifiama.

**AVVERTENZA:** pericolo di incendio: non appoggiare nulla sulle superfici di cottura.

**AVVERTENZA:** se la superficie è crepata, non toccare la vetroceramica e spegnere l'elettrodomestico per evitare la possibilità di elettrocuzioni.

L'elettrodomestico può essere utilizzato da bambini di età superiore a 8 anni e da persone con ridotte capacità fisiche, sensoriali o mentali, oppure prive di esperienza e conoscenza, se supervisionate o istruite riguardo all'uso dell'elettrodomestico in sicurezza, e se comprendono i rischi che derivano dall'uso dello stesso. I bambini dovrebbero essere supervisionati per assicurarsi che non giochino con l'elettrodomestico. La pulizia e la manutenzione da parte dell'utente non possono essere effettuate da bambini senza supervisione.

**ATTENZIONE:** il processo di cottura deve essere supervisionato. Un processo di cottura di breve termine deve essere supervisionato in continuo.

Si consiglia vivamente di tenere i bambini a distanza dalle zone di cottura quando queste sono in funzione o quando sono spente, per tutto il tempo durante il quale l'indicatore di calore residuo rimane attivo, per evitare il rischio di ustioni gravi.

Questo elettrodomestico non è concepito per funzionare con temporizzatori esterni o con sistemi di comando a distanza separati.

Se è presente, non guardare direttamente gli elementi riscaldati della lampada alogena.

Collegare al cavo di alimentazione una spina dimensionata per la tensione, la corrente e la potenza indicate nella targhetta e dotata del contatto di terra. La presa deve essere dimensionata per la potenza indicata sulla targhetta e deve avere il contatto di terra collegato e funzionante. Il conduttore di terra è giallo-verde. Questa operazione deve essere eseguita solo da un tecnico adeguatamente addestrato. In caso di incompatibilità tra presa e

spina dell'elettrodomestico, richiedere ad un tecnico specializzato di sostituire la presa con un'altra di tipo compatibile. La spina e la presa devono essere conformi alle normative attuali del paese di installazione.

Il collegamento alla rete di alimentazione può essere effettuato anche collocando un interruttore automatico onnipolare tra l'elettrodomestico e la rete di alimentazione, in grado di supportare il carico massimo collegato, in linea con la legislazione corrente.

Il cavo di terra giallo-verde non deve essere interrotto dall'interruttore automatico. La presa o l'interruttore automatico onnipolare utilizzati per il collegamento devono essere facilmente accessibili al momento del montaggio dell'elettrodomestico.

La disconnessione può essere eseguita con la spina accessibile o aggiungendo un interruttore sul cablaggio fisso, nel rispetto delle normative relative ai cablaggi.

Se il cavo di alimentazione dell'elettrodomestico dovesse essere danneggiato, farlo sostituire dal produttore, dal suo servizio tecnico o da tecnici qualificati, per evitare rischi. Il conduttore di terra (giallo-verde) deve essere più lungo di 10 mm sul lato della morsettiera. La sezione dei conduttori interni deve essere adatta alla potenza assorbita dal piano di cottura (come indicato sulla targhetta). Il cavo di alimentazione deve essere di tipo HO5V2V2-F.

Non appoggiare sul piano di cottura oggetti metallici come coltelli, forchette, cucchiaini o coperchi. Potrebbero scaldarsi eccessivamente.

Non appoggiare sulle zone riscaldanti pellicole di alluminio e padelle in plastica.

Dopo ogni utilizzo è necessario pulire il piano di cottura per evitare l'accumulo di sporcizia e grasso. Se ci sono accumuli di questo tipo vengono cotti nuovamente quando il piano di cottura viene acceso, creando fumo e odori sgradevoli per non parlare del rischio di propagazione di incendi.

Non utilizzare mai un getto di vapore o ad alta pressione per la pulizia dell'elettrodomestico.

Non toccare le zone riscaldanti durante il funzionamento o per un breve periodo dopo l'uso.

Non cuocere mai gli alimenti direttamente sul piano di cottura in vetroceramica.

Utilizzare sempre i recipienti di cottura adatti.

Mettere sempre la pentola al centro del gruppo sul quale si sta effettuando la cottura. Non appoggiare nulla sul pannello di comando.

Mai utilizzare il piano di cottura come superficie di lavoro.

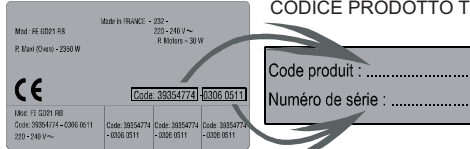
Mai utilizzare il piano di cottura come tagliere.

Non appoggiare oggetti pesanti al di sopra del piano di cottura. Se cadono sul piano possono danneggiarlo.

Non utilizzare il piano di cottura per riporvi oggetti.

Non fare scivolare i recipienti sul piano di cottura.

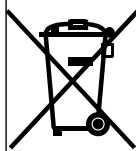
Targhetta di identificazione (posta sotto il carter inferiore del piano di cottura)



## 1. AVVERTENZE GENERALI

Apponendo il marchio **CE** su questo elettrodomestico confermiamo la conformità a tutti i requisiti di legge europei di sicurezza, salute e tutela ambientale applicabili a questa categoria di prodotti.

## 2. SALVAGUARDIA DELL'AMBIENTE



Questo elettrodomestico dispone di contrassegno ai sensi della direttiva europea 2012/19/UE in materia di rifiuti di apparecchiature elettriche ed elettroniche (RAEE).

I RAEE contengono sostanze inquinanti (che possono causare conseguenze negative per l'ambiente) e i componenti principali che possono essere riutilizzati. È importante che i RAEE siano sottoposti a trattamenti specifici in modo da togliere e smaltire in modo corretto gli inquinanti nonché recuperare e riciclare tutti i materiali.

Spetta ai singoli individui garantire che i RAEE non diventino un problema a livello ambientale. Esistono alcune regole specifiche da rispettare:

- i RAEE non devono essere trattati come rifiuti domestici.
  - i RAEE devono essere affidati agli speciali centri di raccolta gestiti dai comuni o da società autorizzate. In molti stati è disponibile anche un servizio di raccolta porta a porta per i RAEE.
- In molti stati, nel caso di acquisto di nuovi elettrodomestici, quelli vecchi possono essere affidati al venditore che li deve ritirare gratuitamente in numero corrispondente agli elettrodomestici acquistati, a condizione che i singoli elettrodomestici siano di tipo simile e con le stesse funzioni di quelli acquistati.

## 3- INSTALLAZIONE

Il montaggio di un elettrodomestico può essere un'operazione complicata che, se non viene effettuata correttamente, può minacciare gravemente la sicurezza di prodotti, proprietà o persone. Per questa ragione tale attività deve essere intrapresa da un tecnico professionalmente qualificato che la effettuerà in accordo con le normative tecniche in vigore.

Nel caso in cui questa precauzione non venga rispettata e il montaggio sia effettuato da un tecnico non qualificato, il produttore declina tutte le responsabilità per guasti tecnici dell'elettrodomestico che possano causare o meno danni alle cose o ai beni o lesioni alle persone o agli animali.

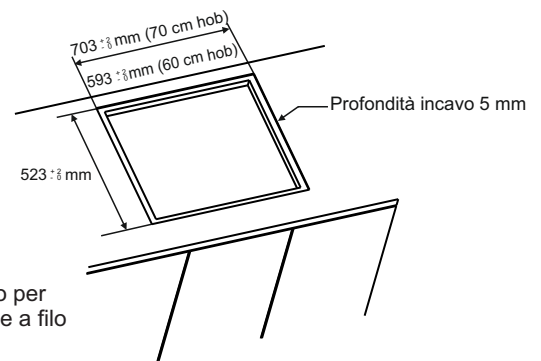
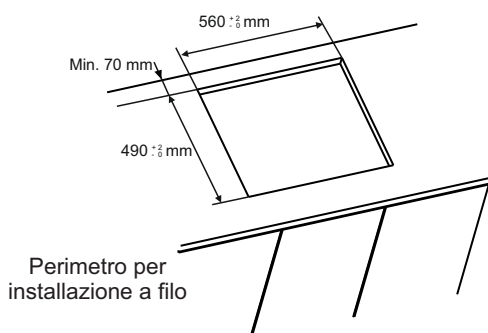
Dopo avere tolto l'imballaggio, accertarsi che l'elettrodomestico non sia danneggiato; in caso contrario contattare il rivenditore o il servizio di assistenza post vendita del produttore.

Accertarsi che il mobile nel quale verrà inserito l'elettrodomestico e tutti gli altri arredi nelle vicinanze siano di un materiale in grado di resistere a temperature elevate (minimo 100°C).

Inoltre, tutti i laminati decorativi devono essere fissati con colla ad alta resistenza.

L'elettrodomestico può essere installato in un mobile ad incasso in modalità "standard" o "a filo".

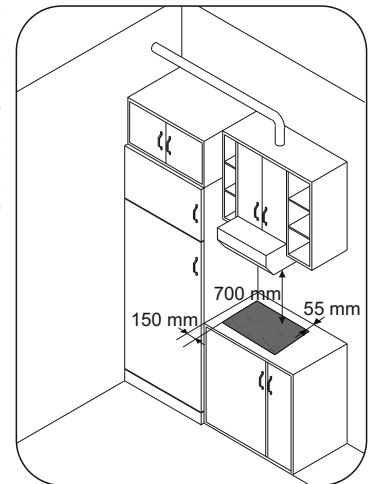
Lo spessore del piano di lavoro deve essere compreso tra 25 e 45 mm.



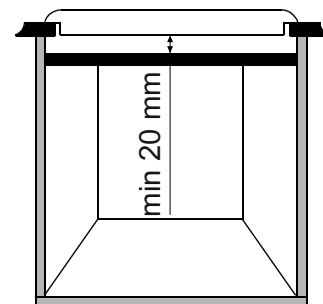
**Nota:** Le dimensioni del perimetro interno sono le stesse dell'installazione standard

Lasciare una distanza pari a almeno 55 mm tra il piano di cottura e il muro posteriore e di almeno 150 mm tra il piano di cottura e il mobile verticale o le pareti sul lato. Qualora venga installato un pensile sopra il piano cottura, la distanza minima richiesta è pari a 700 mm.

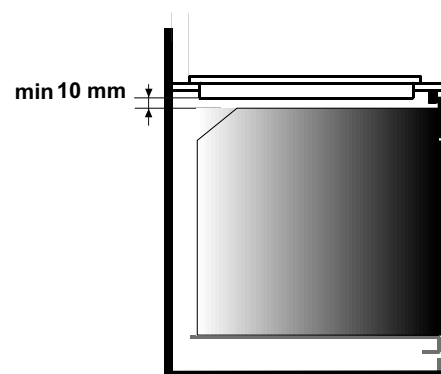
Quando si installa una cappa al di sopra del piano di cottura, consultare i requisiti di montaggio specifici per la cappa, ma, in ogni caso, la distanza tra cappa e piano di cottura non deve essere inferiore a 700 mm.



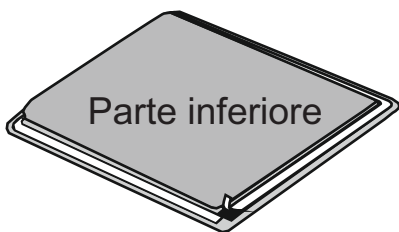
Se la parte inferiore del piano di cottura è adiacente ad un'area normalmente accessibile durante la cottura o la pulizia, inserire un separatore 20 mm sotto alla base del piano di cottura.



Quando si installa un forno al di sotto del piano di cottura, non è necessario inserire un separatore e la distanza minima tra la parte inferiore del piano di cottura ed il forno non deve essere inferiore a 10 mm. Non montare un forno non raffreddato al di sotto di questo piano di cottura e installare il forno seguendo i relativi requisiti di montaggio.

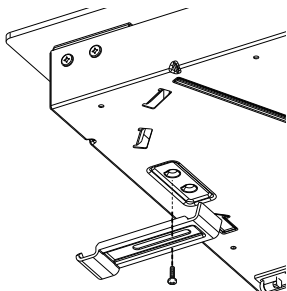


Il piano di cottura viene fornito con una guarnizione di tenuta. Montare la guarnizione di tenuta intorno alla parte inferiore del piano di cottura ed assicurarsi che sia inserita correttamente per evitare perdite sui mobili di supporto sottostanti.

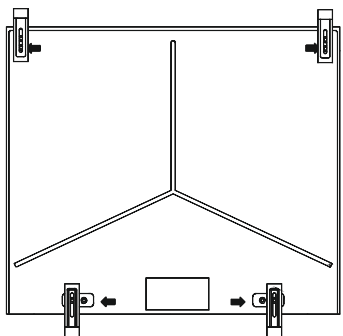


#### Fissaggio normale:

- Utilizzare le fascette di fissaggio presenti nel sacchetto degli accessori ed avvitarle nella posizione indicata sulla scatola inferiore. (Non serrare le viti per bloccare completamente le fascette, dovrebbero muoversi liberamente)

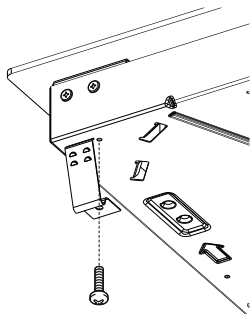


- Inserire il piano di cottura nella posizione centrale dell'intaglio.  
- Ruotare le fascette e serrarle a fondo.

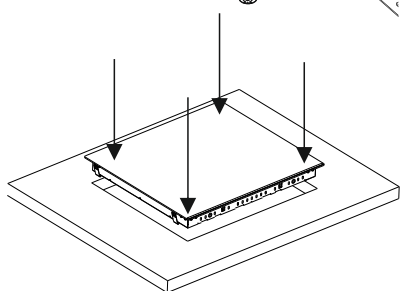


#### Fissaggio rapido: (A seconda del modello)

Prelevare quattro molle dal sacchetto accessori ed avvitarle sulla scatola inferiore come illustrato in figura.

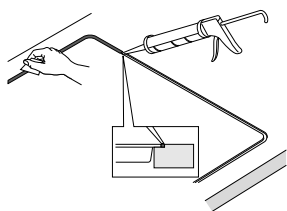


Centrare ed inserire il piano di cottura. Premere i lati del piano di cottura fino a quando non risulta supportato sull'intero perimetro.

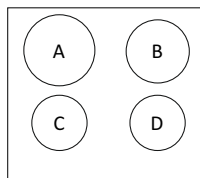


#### INSTALLAZIONE A FILO

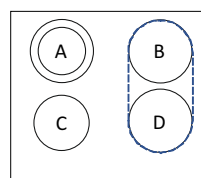
Dopo avere verificato che la posizione del piano di cottura è corretta, riempire lo spazio fra piano di lavoro e piano di cottura con adesivo siliconico. Appiattire lo strato di silicone con un raschiatore o bagnando le dita in acqua e sapone prima che indurisca. Non utilizzare il piano di cottura fino a quando lo strato di silicone non è perfettamente asciutto.



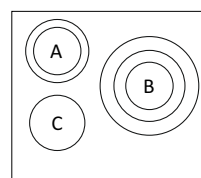
## 4. COLLEGAMENTO ELETTRICO



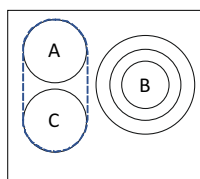
DISPOSIZIONE 1



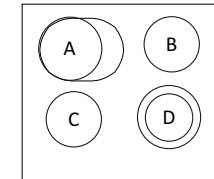
DISPOSIZIONE 2



DISPOSIZIONE 3



DISPOSIZIONE 4



DISPOSIZIONE 5

	A	B	C	D
DISPOSIZIONE 1	2300W	1800 W	1200 W	1200 W
DISPOSIZIONE 2	1000+700 W	1800 W	1200 W	1800 W
DISPOSIZIONE 3	1000+700 W	1050+900+750 W	1200 W	-
DISPOSIZIONE 4	1800W	1050+900+750 W	1800 W	-
DISPOSIZIONE 5	1500+900 W	1200 W	1200 W	1000+700 W

DISPOSIZIONE	
	1
	2
	3
	4
	5

A seconda del modello

1. ACCESO/SPENTO
2. "+"
3. "-"
4. TIMER
5. LED zona di cottura aggiuntiva
6. Indicatore programmi zona di cottura
7. Bridge
8. Sicurezza bambini
9. Fusione
10. Bollitura

**"Il montaggio deve essere conforme alle direttive e agli standard." Il produttore declina qualsiasi responsabilità per danni che potrebbero essere causati da utilizzo inappropriato o irragionevole.**

**AVVERTENZA:** Il Produttore non può essere ritenuto responsabile di qualsiasi incidente o delle relative conseguenze che potessero insorgere durante l'utilizzo di un elettrodomestico privo di messa a terra, oppure collegato ad una terra avente una continuità difettosa.

Prima di qualsiasi funzionamento elettrico, controllare sempre la tensione di alimentazione riportata sul contatore, la regolazione del sezionatore, la continuità del collegamento a terra rispetto all'impianto; verificare anche che il fusibile sia appropriato.

Il collegamento elettrico all'impianto deve essere effettuato rispettando la potenza nominale dell'elettrodomestico; ciò deve essere effettuato tramite un sezionatore multipolare.

Se l'elettrodomestico ha un'uscita a presa, deve essere installato in modo che tale uscita sia accessibile.

Il cavo giallo/verde del cavo di alimentazione elettrica deve essere collegato alla terra dell'alimentazione elettrica ed ai morsetti dell'elettrodomestico.

Per qualsiasi domanda relativa al cavo di alimentazione elettrica rivolgersi al Servizio di Assistenza post-vendita o a un tecnico qualificato.

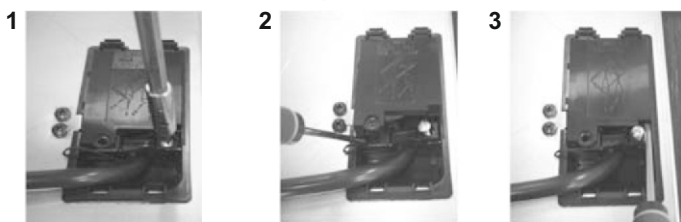
Se il piano di cottura è dotato di un cavo di alimentazione, collegarlo solo ad un'alimentazione con tensione di 220-240 V tra la fase e il neutro.

È comunque sempre possibile collegare il piano di cottura a:

Trifase 220-240 V3  
Trifase 380-415 V2N

Per procedere al nuovo collegamento, rispettare le istruzioni che seguono: Prima di effettuare il collegamento accertarsi che l'impianto sia protetto da un fusibile appropriato e che sia dotato di cavi aventi una sezione sufficientemente grande per alimentare normalmente l'elettrodomestico. Capovolgere il piano di cottura, con la vetroceramica rivolta verso il piano di lavoro, prestando attenzione a proteggere la vetroceramica.

#### Aprire il coperchio nella seguente sequenza:



- svitare la fascetta per cavi "1";
- individuare le due linguette sui lati;
- mettere la punta di un cacciavite piatto davanti alle linguette "2" e "3", spingere all'interno e premere;
- togliere il coperchio.

#### Per staccare il cavo di alimentazione elettrica:

- Togliere le viti che fissano la morsettiere che contiene le derivazioni e i conduttori del cavo di alimentazione;
- Tirare verso l'esterno il cavo di alimentazione.

#### Operazioni da effettuare per un nuovo collegamento:

- Scegliere il cavo di alimentazione in accordo con le indicazioni della tabella;
- Passare il cavo di alimentazione elettrica nella fascetta;
- Spelare l'estremità di ogni conduttore del cavo di alimentazione per circa 10 mm, tenendo in considerazione la lunghezza richiesta del cavo per il collegamento alla morsettiere;
- Secondo il tipo di montaggio, utilizzare le deviazioni recuperate nella prima operazione, fissare il conduttore come indicato sulla tabella;
- Bloccare il coperchio;
- Avvitare la fascetta per cavi.

**Nota: accertarsi che le viti della morsettiere siano completamente avvitate.**

#### Operazioni da effettuare per un nuovo collegamento:

- Scegliere il cavo di alimentazione in accordo con le indicazioni della tabella;
- Passare il cavo di alimentazione elettrica nella fascetta;
- Spelare l'estremità di ogni conduttore del cavo di alimentazione per circa 10 mm, tenendo in considerazione la lunghezza richiesta del cavo per il collegamento alla morsettiere;
- A seconda del tipo di montaggio, utilizzare le deviazioni recuperate nella prima operazione, fissare il conduttore come indicato sulla tabella;
- Bloccare il coperchio;
- Avvitare la fascetta per cavi.



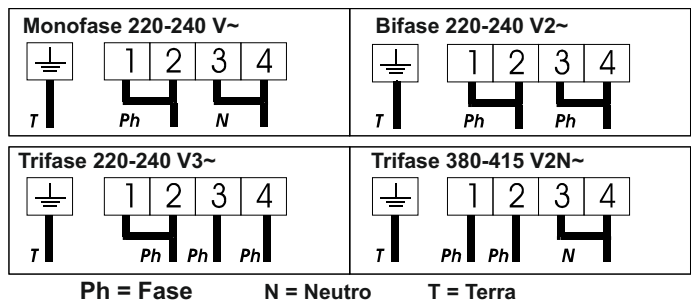
#### ATTENZIONE:

nel caso in cui fosse necessario sostituire il cavo di alimentazione, collegare i fili in accordo con i seguenti colori/codici:

BLU	Neutro	(N)
MARRONE	Fase	(L)
GIALLO VERDE	Terra	(⊕)

#### Collegamento ai morsetti della morsettiere

	DISPOSIZIONE "1-3"	DISPOSIZIONE "2-4"
MONOFASE O BIFASES 220-240 V~		
Cavo HO5V2V2F	3x2,5 mm <sup>2</sup>	3x4 mm <sup>2</sup>
TRIFASE 220-240 V3~		
Cavo HO5V2V2F	4x1,5 mm <sup>2</sup>	4x1,5 mm <sup>2</sup>
TRIFASE 380-415 V2N~		
Cavo HO5V2V2F	4x1,5 mm <sup>2</sup>	4x1,5 mm <sup>2</sup>



#### 5. CONSIGLI SUI RECIPIENTI DI COTTURA PER IL PIANO

L'utilizzo di recipienti di cottura appropriati è di fondamentale importanza per ottenere le migliori prestazioni dal piano di cottura.



- **Utilizzare sempre recipienti di cottura di buona qualità con basi perfettamente piane e spesse:** l'utilizzo di questo tipo di recipienti di cottura evita la formazione di punti più caldi nei quali si attacca il cibo. Padelle e pentole spesse in metallo garantiscono una distribuzione regolare del calore.

- **Accertarsi che la base della pentola o della padella sia asciutta:** quando si introduce liquido nelle padelle o se ne utilizza una che era stata riposta in frigorifero, accertarsi che la base della padella sia completamente asciutta prima di appoggiarla sul piano di cottura. In questo modo si evita di macchiare il piano di cottura.

- **Utilizzare pentole di diametro sufficientemente largo per coprire completamente la superficie:** le dimensioni della pentola non devono essere inferiori alla zona di riscaldamento. Con una pentola leggermente più grande l'energia viene utilizzata alla massima efficienza.

**SCELTA DEI RECIPIENTI DI COTTURA** - Le informazioni riportate qui di seguito facilitano la scelta dei recipienti di cottura adatti per fornire prestazioni ottimali.

**Acciaio inossidabile:** *vivamente consigliato.* Particolarmente efficace se dotato di una base con strato doppio placcato. La base doppia abbina i vantaggi dell'acciaio inossidabile (aspetto, durata e stabilità) con i vantaggi di alluminio e rame (conduzione di calore, distribuzione uniforme del calore).

**Alluminio:** *si consiglia di tipo pesante.* Buona conduttività. A volte i residui di alluminio si presentano come graffi sul piano di cottura, ma si eliminano se si pulisce immediatamente il piano.



Si sconsiglia l'utilizzo di alluminio sottile a causa del suo basso punto di fusione.

**Ghisa:** utilizzabile, ma non consigliata. Scarse prestazioni. Può graffiare la superficie.

**Terracotta / fondo in rame:** si consiglia di tipo pesante. Buone prestazioni, ma il rame può lasciare residui che si possono presentare come graffi. I residui si possono eliminare se il piano di cottura viene pulito immediatamente. È però importante non dimenticare i recipienti vuoti sul fornello acceso. Il metallo surriscaldato può legarsi al piano di cottura in vetroceramica. Un recipiente di cottura in rame surriscaldato lascia residui che macchiano permanentemente il piano di cottura.

**Porcellana/smalto:** Buone prestazioni solo con una base piana, sottile e liscia.

**Vetroceramica:** sconsigliata. Scarse prestazioni. Può graffiare la superficie.

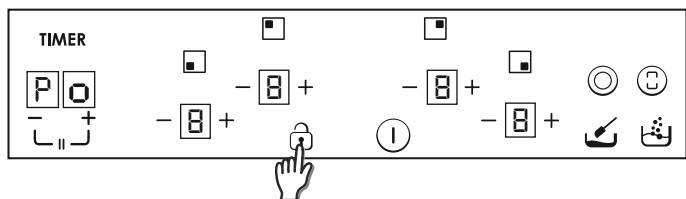
## 6. USO

### Scelta del livello di gestione della potenza

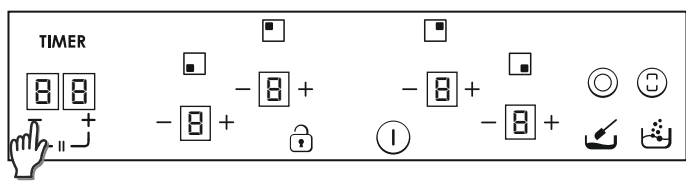
La funzione di gestione della potenza consente all'utente di impostare la potenza massima che può raggiungere il piano cottura.

La funzione gestione della potenza è disponibile solo entro 30 secondi dall'accensione del piano cottura. È possibile, comunque, ripetere questa impostazione scollegando e ricollegando il cavo di alimentazione. Impostando la massima potenza desiderata, il piano cottura regola automaticamente la distribuzione delle varie zone di cottura in modo da non superare mai tale limite, con l'ulteriore vantaggio di poter gestire contemporaneamente tutte le zone senza problemi di sovraccarico. Per il piano cottura il cliente può impostare una potenza massima compresa tra 2,5 kW e la massima potenza del piano cottura. Ad esempio, se la potenza massima del piano cottura è di 7 kW, la potenza massima di regolazione è compresa tra 2,5 kW e 7 kW. Al momento dell'acquisto, il piano cottura è impostato sulla massima potenza. Dopo il collegamento dell'elettrodomestico alla rete elettrica, entro 30 secondi è possibile impostare il livello di potenza in base ai punti sopra indicati:

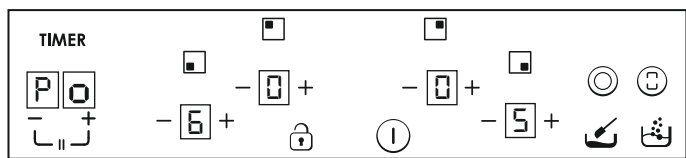
- 1.- Accendere il piano cottura.
- 2.- Attendere che il controllo tattile termini il processo di inizializzazione.
- 3.- Sbloccare i comandi.



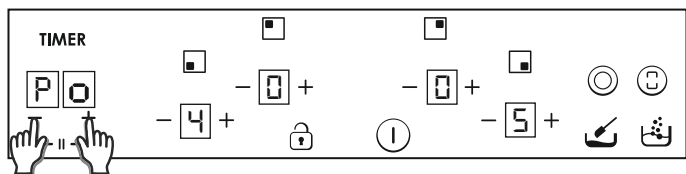
- 4.- Entro 30 secondi dopo l'accensione del piano cottura, toccare per 5 secondi il tasto "-" del timer.



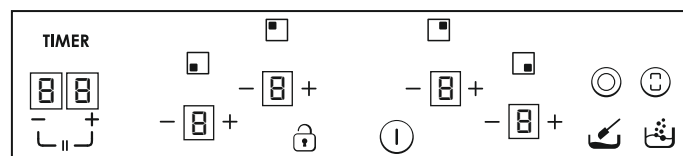
- 5.- Dopo questo intervallo, questo messaggio apparirà sul display, Po sul display del timer. Livello di potenza diviso per 100 nei display del riscaldatore.



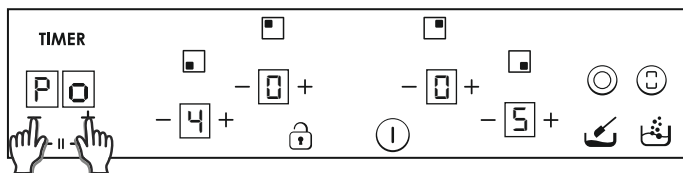
- 6.- Utilizzando i tasti '+' e '-' del timer, è possibile regolare il valore di gestione della potenza. Quando è selezionato il valore desiderato, toccare contemporaneamente i tasti '+' e '-' per 5 secondi.



- 7.- Al termine di questa procedura, viene emesso un lungo segnale acustico, il sistema si azzerà e la procedura ricomincia.



- 8.- Dopo il processo di avviamento, sul display del timer verrà visualizzata la gestione della potenza.

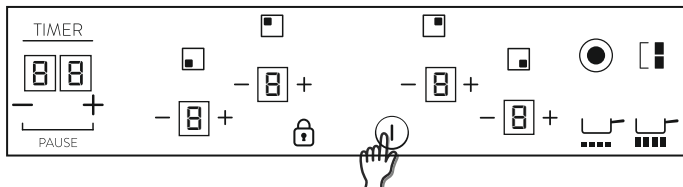


**Come risultato, il controllo tattile non consentirà alcuna combinazione che superi questo limite.**

### Note:

- a) Questa gestione della potenza è disponibile solo per i primi 30 secondi dopo l'accensione del piano di cottura.
- b) Se questa selezione di gestione della potenza è ON, se trascorrono più di 90 secondi dall'accensione del piano cottura questo processo sarà terminato senza che sia stato registrato un nuovo valore di potenza.
- c) Se questa selezione di gestione della potenza è ON, se viene premuto un tasto qualsiasi tranne la combinazione di "+" e "-" del timer, il processo sarà terminato **senza registrare nuovi** valori di potenza e il comando a sfioramento inizierà a funzionare come solito, senza reset.
- d) Se questa selezione di gestione della potenza è ON, se viene premuta la combinazione di "+" e "-" del timer, il processo sarà terminato **con la registrazione di un nuovo** valore di potenza; **reset** e il comando a sfioramento inizieranno a funzionare come al solito.

### Come accendere/spengere una zona di riscaldamento



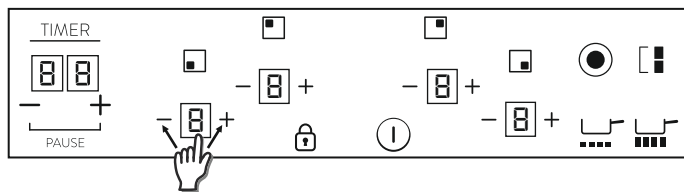
Per accendere una zona di riscaldamento toccare il pulsante di accensione per 400 msec. Si sentirà un bip prolungato ed il valore "0" verrà visualizzato nella cifra della zona di destinazione, indicando il livello di potenza.

- 1) Se una qualsiasi fase di cottura è in posizione 0, il display si spegne automaticamente dopo 10 secondi e la sequenza di spegnimento zona emette un segnale acustico.
- 2) Se c'è un'indicazione di calore residuo sul display acceso ma con potenza pari a 0, lo "0" viene acceso in commutazione.
- 3) Se la funzione di blocco è attiva non è possibile accendere una zona.

Per spegnere una zona di riscaldamento toccare una qualsiasi zona di riscaldamento per un periodo di 1,2 sec. Si avvertiranno tre brevi bip nella cifra della zona di destinazione e non verrà visualizzato nulla oppure "H" se è presente calore residuo. La zona sarà spenta.

- 1) Se una qualsiasi fase di cottura è in posizione 0, il display si spegne automaticamente dopo 10 secondi e la sequenza di spegnimento zona emette un segnale acustico.
- 2) Se c'è un'indicazione di calore residuo sul display spento, verrà visualizzato "H".
- 3) Se la funzione di blocco è attiva è possibile spegnere una zona.
- 4) Se è attiva solo una zona di riscaldamento e anche questa viene spenta, si avvertono 4 brevi bip per indicare che il piano di cottura è spento.

## Aumento/diminuzione del livello di potenza



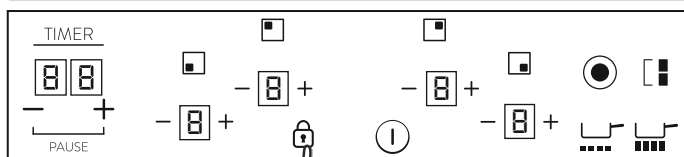
Premendo brevemente i pulsanti '+' o '-' si aumenta o diminuisce la potenza nella cifra delle zone selezionate: 0-1-2-3...9-P

1. Premendo a lungo i pulsanti "+" o "-" il livello di potenza aumenta / diminuisce in continuo. Con un aumento rapido, la potenza si interrompe al livello 9 e per potenza superiore è necessario premere ulteriormente il tasto "+". Non si attiva alcun bip con aumento / diminuzione rapidi.

2. Una volta raggiunto il livello di potenza P, premendo nuovamente "+" il livello di potenza non cambia a 0. Una volta arrivato al livello di potenza 0, premendo nuovamente "-" il livello di potenza non passa a P.

3. Con una zona accesa a livello di potenza 0, se la zona è calda, lo 0 lampeggerà alternativamente. Dopo 10 secondi, lo 0 scompare e sul display viene visualizzata la lettera "H" in continuo.

## Opzione Sicurezza Bambini



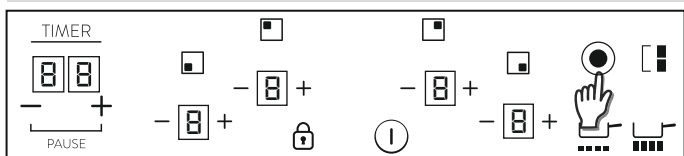
Questa azione si svolge quando viene premuto il pulsante di blocco

Quindi, ogni volta che viene premuto un pulsante, il display visualizza "L" per due secondi. Il riscaldamento rimane nelle stesse condizioni.

Per disattivare la sicurezza bambini, seguire lo stesso processo sopra indicato. Quindi viene emesso un breve bip e il display visualizza "n". Il piano di cottura si sblocca.

Nota: Una sicurezza bambini automatica si attiva per 15 minuti dopo lo spegnimento completo del piano di cottura.

## Zone a doppio / triplo riscaldamento



Per accendere l'anello di estensione doppio, la zona associata deve essere già accesa e l'indicazione di livello di potenza deve essere superiore a 0.

### 8.1- Zona a doppio riscaldamento accesa

La prima breve pressione sul pulsante dell'estensione accende l'anello di estensione. Il LED sul pulsante di estensione si accende se l'anello di estensione è acceso.

La seconda breve pressione sul pulsante dell'estensione spegne l'anello di estensione. Si avverte un breve bip ogni volta che si preme il pulsante di estensione.

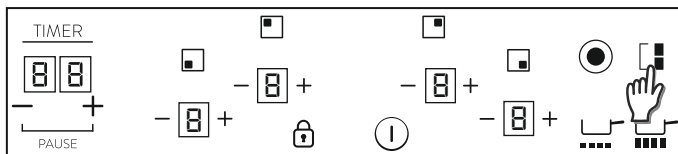
### 8.2- Zona a triplo riscaldamento accesa

La prima breve pressione sul pulsante dell'estensione accende il primo anello di estensione. 1 LED sul pulsante di estensione si accende quando il primo anello di estensione è acceso (il LED a sinistra nel caso di triplo riscaldamento, quello centrale e l'unico LED nel caso di zona doppia)

La seconda breve pressione sul pulsante dell'estensione accende il secondo anello di estensione. 2 LED sull'anello di estensione si accendono se il primo e il secondo anello di estensione sono accesi

La terza breve pressione sul pulsante dell'estensione spegne il primo e il secondo anello di estensione. Si avverte un breve bip ogni volta che si preme il pulsante di estensione.

## Funzione bridge



La funzione bridge può essere abilitata unicamente quando entrambe le zone di riscaldamento sono spente. Una zona di riscaldamento del bridge è stata selezionata; per attivare la funzione bridge sfiorare il pulsante bridge.

Si avverte un bip e il LED della zona si accende se la zona è abilitata.

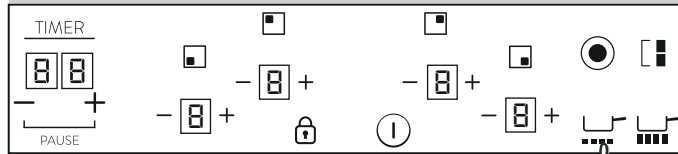
Entrambe le zone di riscaldamento della funzione bridge sono selezionate contemporaneamente.

Quando le zone di riscaldamento sono selezionate, se il livello di potenza non è quello desiderato, utilizzare i pulsanti "+" e "-".

Entrambi i display della zona di cottura con funzione bridge mostrano lo stesso livello di potenza. La funzione finisce:

- Se in modalità impostazione viene sfiorato il pulsante bridge
- Se l'utente seleziona il livello di potenza "0"

## Funzione fusione



Quando una zona di cottura è stata selezionata, per attivare la funzione di fusione:

- Selezionare il pulsante fusione

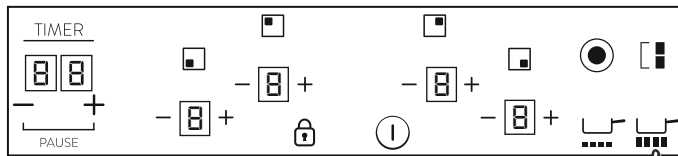
Si attiva un segnale acustico e il display della zona di riscaldamento visualizza "U"

La zona di cottura funziona a livello di potenza "2"

Essendo selezionata la zona di riscaldamento, la funzione fusione ha termine

- Se è spenta
- Se è selezionata ad un altro livello di potenza.

## Funzione bollitura



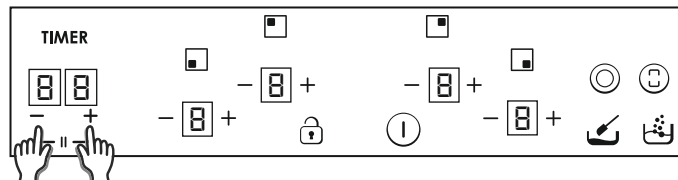
Quando una zona di cottura è stata selezionata, per attivare la funzione di bollitura:

- Selezionare il pulsante Bollitura

Si attiva un segnale acustico e la zona di riscaldamento visualizza "P"

La zona di riscaldamento si attiva al livello di potenza massimo per 10 minuti. Dopo questi 10 minuti si avverte un segnale acustico e la zona di riscaldamento ritorna al livello "9"

## Funzione pausa



La funzione Pausa consente di interrompere temporaneamente il processo di cottura, consentendo agli utenti di rispondere alla porta o al telefono, senza il rischio che l'acqua nella pentola vada in ebollizione e trabocchi. Questa funzione è anche utile per pulire la superficie dell'interfaccia utente, senza modificare le impostazioni di cottura.

La funzione di Pausa viene indicata dal simbolo II. Per selezionare questa funzione, l'utente può toccare contemporaneamente i pulsanti + e - sotto al timer.

Nota: Non è possibile mettere in pausa una sola zona. Attivando la funzione di Pausa si disattiva l'intero piano di cottura.



Come opera la funzione Pausa?

La funzione Pausa si attiva mantenendo premuti per ½ secondo i pulsanti + e - sotto al timer

- La funzione Pausa è attiva e il piano di cottura è spento
- Vengono memorizzati i valori delle impostazioni delle zone di riscaldamento attive, poi esse vengono portate a 0
- Si interrompe il tempo di spegnimento automatico delle zone di riscaldamento.
- Si interrompono tutti i conteggi dei timer.
- Tutti i pulsanti sono bloccati ad eccezione della funzione Pausa (combinazione + e - sotto al timer) e di Accensione/Spegnimento
- Il timer non visualizza niente, tutti i display delle zone di riscaldamento si attivano e visualizzano "0", accendendo i singoli segmenti verso sinistra, quindi spegnendo i singoli segmenti verso destra, in modo continuo.


Nota: Nessun LED indica che la funzione Pausa è attiva. Premendo nuovamente la combinazione + e - si disattiva la funzione Pausa.

Disattivazione della funzione Pausa:

Per disattivare la "funzione Pausa" mantenere premuta per ½ secondo la combinazione di pulsanti + e - del timer. La funzione Pausa si disattiva, il piano di cottura si riattiva (si sente un segnale acustico) e vengono ripristinate le impostazioni precedenti delle zone di riscaldamento.

Nota: se il piano di cottura resta inattivo per più di 10 minuti esso si spegnerà automaticamente.


### Sicurezza contro le fuoriuscite

Qualcosa (un oggetto o un liquido) sta mantenendo premuto un qualsiasi pulsante per più di 5 secondi. 2 bip veloci + 1 bip lungo ogni 30 secondi mentre viene premuto il pulsante. Il piano di cottura si spegne.  Questo simbolo continua a lampeggiare per tutto il tempo in cui questa situazione persiste.

### Timer

La funzione timer può essere attivata tramite il relativo pulsante o sfiorando allo stesso tempo i pulsanti "+" e "-".

In entrambi i casi, la zona di riscaldamento deve essere selezionata ed il relativo livello di potenza deve essere superiore a 0.

Selezionare la zona da temporizzare. Il livello di potenza della zona è superiore a 0.  viene visualizzato fisso nella zona da temporizzare. "00" nelle cifre riservate al timer.

- 1) Con i pulsanti "+" o "-" è possibile selezionare il tempo del timer. Ogni volta che il tempo varia non si avverte alcun bip.
- 2) Premendo contemporaneamente i pulsanti il timer si azzerà (visualizzazione 00).
- 3) Se i pulsanti timer "+" o "-" sono mantenuti premuti durante un tempo da determinare, si ha un'impostazione rapida.
- 4) Durante l'impostazione del tempo del timer, è possibile passare da "00" a "99" con il pulsante "-" e da "99" a "00" con il pulsante "+".
- 5) Il tempo massimo corrisponde a 99 minuti.
- 6) Quando il tempo è trascorso e il piano di cottura emette dei bip, premere un qualsiasi pulsante per terminare la sequenza di inserimento e l'allarme.
- 7) È possibile regolare il tempo del timer quando il timer era già in funzione.
- 8) La potenza delle zone temporizzate può essere modificata senza conseguenza sulla programmazione del timer.
- 9) L'ultimo minuto verrà visualizzato in secondi (per alcune varianti visibile solo accedendo alla programmazione del timer durante il conto alla rovescia dell'ultimo minuto)
- 10) Premendo il pulsante timer senza avere selezionato alcuna zona e quando non ci sono zone temporizzate, non accade nulla.
- 11) Premendo il pulsante timer senza avere selezionato alcuna zona e quando molte sono soggette a temporizzazione, il tempo visualizzato nella cifra del tempo varia in modo rotatorio, indicando il tempo il cui display di potenza ha la virgola decimale accesa.
- 12) Nella zona soggetta a temporizzazione viene visualizzato in alternanza potenza (5 s) e (0,5 s).

Il tempo rimanente è visualizzato nelle cifre riservate al timer. Se molte zone sono temporizzate, il tempo più basso rimanente e la virgola decimale è visualizzata nella zona corrispondente.

### Indicatore del calore residuo (in zone di riscaldamento radianti -> calcolato)

Gli stessi indicatori possono essere utilizzati anche per l'indicazione del "calore residuo". È necessario stabilire una tabella oraria a tale proposito: Tempo di calore rimanente = F (livello di potenza, tempo di lavoro).

Quando la temperatura sulla superficie in vetroresina del piano di cottura è superiore a 65°C (valore teorico), questa condizione viene visualizzata sul relativo display, tramite la lettera "H".

Per ottenere una temperatura superiore a 65°C una zona di riscaldamento deve essere in funzione per un certo periodo di tempo, che dipende dal livello di potenza. Una volta trascorso questo tempo, la segnalazione di calore residuo viene visualizzata quando la zona di riscaldamento viene spenta.

### Spegnimento automatico di sicurezza

Se il livello di potenza non è variato per un tempo preimpostato, la corrispondente zona di riscaldamento si spegne in automatico.

Il tempo massimo durante il quale una zona di riscaldamento può restare accesa dipende dal livello di cottura selezionato.

Livello di potenza	Tempo massimo di attivazione (ore)
1	10
2	5
3	5
4	4
5	3
6	2
7	2
8	2
9	2

**NOTA:** se si verifica una situazione di surriscaldamento durante il funzionamento dei massimi livelli di potenza, il comando del piano di cottura regola automaticamente il livello di potenza per proteggere il piano di cottura dai surriscaldamenti.

## 7. PULIZIA E MANUTENZIONE

Prima di effettuare qualsiasi attività di manutenzione sul piano di cottura, lasciarlo raffreddare.

- Utilizzare unicamente prodotti (paste detergenti e raschietti) progettati specificatamente per superfici in vetroceramica. Sono reperibili normalmente in commercio.
- Evitare sgocciolamenti, in quanto qualsiasi sostanza che cade sulla superficie del piano di cottura brucia rapidamente e ne rende più difficile la pulizia.
- Si consiglia di tenere lontano dal piano di cottura tutte le sostanze che possono sciogliersi, quali oggetti in plastica, zucchero o prodotti a base di zucchero.

### MANUTENZIONE:

- Versare alcune gocce del detergente specifico sulla superficie del piano di cottura.
- Sfregare le eventuali macchie più persistenti con un panno morbido o carta da cucina leggermente inumidita.
- Asciugare con un panno morbido o carta da cucina asciutta fino alla completa pulizia della superficie.

### Se ci sono ancora macchie persistenti:

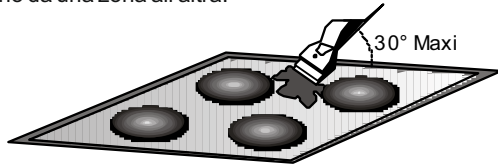
- Versare altre gocce di detergente specifico sulla superficie del piano di cottura.
- Raschiare utilizzando un raschietto, mantenendolo ad un angolo di 30° rispetto al piano di cottura, fino a quando la macchia non scompare.
- Asciugare con un panno morbido o carta da cucina asciutta fino alla completa pulizia della superficie.
- Ripetere l'operazione se necessario.

## ALCUNI SUGGERIMENTI:

Una pulizia frequente lascia uno strato protettivo che è fondamentale per evitare graffi e usura. Prima di utilizzare nuovamente il piano di cottura accertarsi che la superficie sia pulita. Per togliere segni lasciati dall'acqua, utilizzare alcune gocce di aceto di vino bianco o di succo di limone. Quindi asciugare con carta assorbente e alcune gocce di detergente specifico.

La superficie in vetroceramica resiste ai graffi causati da recipienti di cottura a fondo piatto, tuttavia si consiglia sempre di sollevarli quando si spostano da una zona all'altra.

**N.B.:**



**Non utilizzare mai una spugna troppo bagnata.**

**Non utilizzare mai un coltello o un cacciavite.**

**Un raschietto con lametta non danneggia la superficie, a patto che venga mantenuto ad un angolo di 30°.**

**Non lasciare mai un raschietto con lametta alla portata dei bambini.**

**Non utilizzare mai prodotti abrasivi o detersivi in polvere.**

**Cornice metallica:** per pulire in modo sicuro la cornice metallica, lavare con acqua e sapone, risciacquare e quindi asciugare con un panno morbido.

**Qualsiasi variazione di colore della superficie in vetroceramica non influenza il relativo funzionamento o la stabilità della superficie. Tali scolorimenti sono principalmente dovuti a residui di alimenti combusti o dall'utilizzo di recipienti di cottura in materiali quali alluminio o rame; questi tipi di macchie sono difficili da eliminare.**

## 8. RISOLUZIONE DEL PROBLEMA

**Le zone di cottura non cuociono a fuoco lento oppure friggono solo a bassa temperatura**

Utilizzare solo recipienti di cottura a fondo piatto. Se tra il recipiente di cottura ed il piano di cottura si intravede dello spazio, la zona non sta trasmettendo correttamente il calore.

Il fondo del recipiente di cottura deve coprire completamente il diametro della zona selezionata.

**La cottura è troppo lenta**

Si stanno utilizzando recipienti di cottura inadatti. Utilizzare solo recipienti a fondo piatto, pesanti ed aventi un diametro che corrisponda almeno alla zona di cottura.

**Piccoli graffi o abrasioni sulla superficie in vetroceramica del piano di cottura**

Pulizia non corretta o utilizzo di recipienti di cottura a fondo ruvido; particelle simili a granelli di sabbia o sale tra il piano di cottura e il fondo del recipiente. Fare riferimento alla sezione "PULIZIA"; accertarsi che i recipienti siano puliti prima dell'uso e utilizzare solo recipienti di cottura a fondo liscio. I graffi si possono ridurre solo se la pulizia

## Graffi metallici

Non fare scivolare i recipienti di cottura sul piano di cottura. Fare riferimento ai suggerimenti per la pulizia.

Si utilizzano i materiali appositi, ma le macchie sono ancora presenti. Utilizzare una lametta e seguire quanto indicato nella sezione "PULIZIA".

## Macchie scure

Utilizzare una lametta e seguire quanto indicato nella sezione "PULIZIA".

## Superfici chiare sul piano di cottura

Segni lasciati da recipienti in alluminio o rame, ma anche depositi di minerali, acqua o alimenti; possono essere ripuliti utilizzando la pasta detergente.

## Formazione di caramello o plastica fusa sul piano di cottura.

Fare riferimento alla sezione "PULIZIA".

## Il piano di cottura non funziona o alcune zone non funzionano

Le deviazioni non sono posizionate correttamente sulla morsettiere. Verificare se il collegamento è corretto e se il pannello di comando è bloccato. Sbloccare il piano di cottura.

## Il piano di cottura non si blocca.

Il pannello comandi è bloccato. Sbloccare il piano di cottura.

## Frequenza delle operazioni di accensione/spegnimento delle zone di cottura

Il ciclo di accensione/spegnimento variano a seconda del livello di calore richiesto:

- livello basso: tempo di funzionamento breve,
- livello alto: tempo di funzionamento lungo.

## Il piano di cottura non funziona.

Controllare le condizioni dei fusibili / interruttori automatici dell'abitazione. Verificare se si tratta di una mancata alimentazione.

## Il piano di cottura si è spento.

L'interruttore principale (pulsante accensione/spegnimento) è stato sfiorato involontariamente o ci sono oggetti su un qualsiasi pulsante. Riaccendere l'elettrodomestico senza appoggiare nulla sui pulsanti. Inserire nuovamente le impostazioni.

## Display con F e numeri

Se la lettera F e dei numeri compaiono sul display, l'elettrodomestico ha rilevato un'anomalia. La seguente tabella elenca i provvedimenti correttivi che si possono adottare per correggere il problema. viene effettuata correttamente.

## 9. MANUTENZIONE AGGIUNTIVA

**Prima di rivolgersi ad un tecnico dell'Assistenza controllare quanto segue:**

— che la spina sia inserita correttamente e dotata di fusibili;  
Se non è possibile identificare il guasto spegnere l'elettrodomestico — non manometterlo — e chiamare il Centro di Assistenza Tecnica post-vendita. L'elettrodomestico è fornito con un certificato di garanzia che garantisce la riparazione gratuita presso il Centro di Assistenza.

## 10. GARANZIE

Il prodotto è garantito, oltre che ai sensi di legge, alle condizioni e nei termini riportati sul certificato di garanzia convenzionale inserito nel prodotto. Il certificato dovrà essere conservato e mostrato al nostro Centro di Assistenza Tecnica Autorizzato, in caso di necessità, insieme allo scontrino comprovante l'acquisto dell'elettrodomestico. Puoi consultare le condizioni di garanzia anche sul nostro sito internet. Per ottenere assistenza compila l'apposito form on-line oppure contattaci al numero che trovi indicato nella pagina di assistenza del nostro sito internet.

Display della zona di riscaldamento	Anomalia	Azione
F0	Errore software comando sfioramento.	Se si è verificato un errore, scollegare e ricollegare il piano di cottura all'alimentazione elettrica. Se l'errore persiste, contattare l'assistenza post-vendita. Se un errore si verifica improvvisamente durante il normale funzionamento, contattare l'assistenza post-vendita.
Fc	La zona comandi a sfioramento è troppo calda ed ha spento tutte le zone di riscaldamento.	Attendere che la temperatura diminuisca fino al raggiungimento di un valore normale. Quando il messaggio scompare, è possibile riutilizzarlo.
Ft	Il sensore temperatura di comando a sfioramento può essere danneggiato.	Attendere che la temperatura scenda. Se il messaggio persiste quando la temperatura raggiunge quella ambientale, contattare l'assistenza post-vendita.
FE	Il sensore temperatura di comando a sfioramento può essere danneggiato.	Attendere che la temperatura scenda. Se il messaggio persiste quando la temperatura raggiunge quella ambientale, contattare l'assistenza post-vendita.
Fb	Pulsante eccessivamente sensibile.	Verificare che il piano di cottura sia montato correttamente. Accertarsi che i pulsanti tocchino correttamente la superficie in vetroresina.
FU / FJ	Errore sicurezza tastiera	Questo errore è un controllo automatico della tastiera. Scompare quando il controllo automatico ritorna ad un valore di sicurezza. Se l'errore persiste, contattare l'assistenza post-vendita.
FA	Errore sicurezza tastiera	Questo errore è un controllo automatico del software. Scompare quando il controllo automatico ritorna ad un valore di sicurezza. Se l'errore persiste, contattare l'assistenza post-vendita.
FC / Fd	Errore sicurezza tastiera	Questo errore è un controllo automatico del software. Scompare quando il controllo automatico ritorna ad un valore di sicurezza. Se l'errore persiste, contattare l'assistenza post-vendita.
Fr	Errore di sicurezza relè	Qualsiasi driver dei relè può presentare dei problemi. Togliere il piano di cottura dall'alimentazione, attendere un minuto e riaccendere. Se l'errore persiste, contattare l'assistenza post-vendita.

## CONSIGNES DE SÉCURITÉ

Nous vous recommandons de conserver les instructions d'installation et d'utilisation pour pouvoir les consulter ultérieurement. Avant d'installer la table de cuisson, notez son numéro de série, au cas où vous auriez besoin de l'aide du service après-vente.

**AVERTISSEMENT** : l'appareil et ses parties accessibles chauffent pendant l'utilisation. Évitez de toucher les éléments chauffants. Les enfants de moins de 8 ans doivent être tenus hors de portée de l'appareil, sauf s'ils sont surveillés en permanence.

**AVERTISSEMENT** : n'utilisez qu'un dispositif de protection de votre table de cuisson conçu par le fabricant de votre appareil ou indiqué, dans le manuel d'utilisation, comme étant compatible, ou bien le dispositif de protection fourni avec l'appareil. L'utilisation d'un dispositif de protection non approprié peut causer des accidents.

**AVERTISSEMENT** : l'utilisation de la table de cuisson sans surveillance avec manipulation de graisse ou d'huile peut être dangereux et provoquer un incendie. N'essayez JAMAIS d'éteindre un feu avec de l'eau, mais éteignez l'appareil, puis couvrez la flamme avec un couvercle ou une couverture anti-feu, par exemple.

**AVERTISSEMENT**, risque d'incendie : ne stockez pas d'éléments sur les surfaces de cuisson.

**AVERTISSEMENT** : si la surface est fissurée, ne touchez pas le verre de la table et éteignez l'appareil pour éviter tout risque d'électrocution.

Cet appareil peut être utilisé par des enfants âgés de 8 ans et plus, par des personnes dont les capacités physiques, sensorielles ou mentales sont réduites ou par des personnes dénuées d'expérience et de connaissances, mais qui ont été informées sur la manière d'utiliser l'appareil en toute sécurité, si elles comprennent les risques impliqués. Surveillez les enfants afin qu'ils ne jouent pas avec l'appareil. L'entretien et le nettoyage ne doivent pas être effectués par des enfants sans surveillance.

**ATTENTION** : la cuisson demande d'être surveillée. Les cuissons de courte durée doivent être surveillées en permanence.

Il est chaudement recommandé d'éloigner les enfants de la zone de cuisson lorsqu'elle fonctionne ou même quand elle est éteinte, mais que l'indicateur de chaleur résiduelle est encore visible, afin d'éviter tout risque de brûlures graves.

Cet appareil n'est pas conçu pour être actionné par un temporisateur externe ou un système séparé de commande à distance.

Si votre table de cuisson est dotée d'éléments halogènes, n'en fixez pas la lumière.

Brancher le câble d'alimentation sur une prise de courant qui supporte le voltage (le courant et la charge sont indiqués sur l'étiquette) et vérifier la présence d'une mise à la terre. La prise d'alimentation doit supporter la charge indiquée sur l'étiquette et être dotée d'une mise à la terre en état de fonctionnement. Le câble conducteur de mise à la terre est jaune et vert. Cette opération doit être exécutée par du personnel qualifié. En cas d'incompatibilité entre la prise d'alimentation et la fiche du câble de l'appareil, demander à un

électricien professionnel de remplacer la prise d'alimentation par un dispositif compatible. La fiche du câble d'alimentation et la prise d'alimentation doivent être conformes aux normes en vigueur dans le pays d'installation.

Il est possible de brancher l'appareil à la prise d'alimentation en installant un disjoncteur multipolaire qui supporte la charge électrique maximale, conformément aux lois en vigueur, entre l'appareil et la prise d'alimentation.

Le conducteur jaune et vert de mise à la terre ne doit pas être bloqué par le disjoncteur. La prise d'alimentation ou le disjoncteur multipolaire utilisé pour le branchement doit rester à tout moment accessible lors de l'installation de l'appareil.

Le débranchement doit se faire en accédant à la prise d'alimentation ou en prévoyant un interrupteur sur le circuit électrique fixe, conforme aux normes électriques.

Si le câble d'alimentation est endommagé, il doit être remplacé par le fabricant, son agent d'entretien ou des personnes dotées du même type de qualification, afin d'éviter tout risque. Le conducteur de mise à la terre (jaune et vert) doit être plus long de 10 mm du côté de la plaque à bornes. Le diamètre interne du câble conducteur doit être proportionné à la puissance absorbée par la table de cuisson (indiquée sur l'étiquette). Le câble d'alimentation requis est le suivant : H05V2V2-F.

Ne déposez jamais d'objets en métal, tels que des couteaux, fourchettes, cuillers ou couvercles sur la table de cuisson. Ils pourraient devenir brûlants.

Ne posez jamais de papier aluminium ou de récipients en plastique sur les zones chauffantes.

Après chaque utilisation, il convient de nettoyer la table de cuisson, afin d'éviter l'accumulation de saleté et de graisse. Dans le cas contraire, les résidus risquent de brûler lors de la prochaine utilisation de la table de cuisson, causant fumées et odeurs déplaisantes, pour ne pas mentionner les risques d'incendie.

N'utilisez jamais de vaporisateur, ni de jet à haute pression pour nettoyer l'appareil.

Ne touchez pas les zones chauffantes pendant qu'elles fonctionnent, ni pendant un certain temps après leur utilisation.

Ne faites jamais cuire d'aliments directement sur la table de cuisson vitrocéramique.

Utilisez toujours des ustensiles de cuisson adéquats.

Placez toujours votre casserole au centre du foyer que vous utilisez. Ne déposez jamais aucun objet sur le panneau de commande.

N'utilisez jamais votre table de cuisson comme plan de travail.

N'utilisez pas la surface de la table de cuisson comme planche à découper.

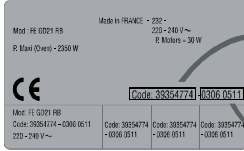
Ne rangez pas d'objets lourds sur votre table de cuisson. S'ils tombaient sur la table de cuisson, ils risqueraient de l'endommager.

N'utilisez pas la table de cuisson pour ranger des objets.

Ne faites pas glisser d'ustensiles de cuisine sur la table de cuisson.



Plaque d'identification (située sous le caisson de la table de cuisson)



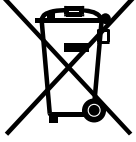
CODE PRODUIT

Code produit : .....  
Numéro de série : .....

## 1. AVERTISSEMENTS GÉNÉRAUX

En plaçant la marque **CE** sur cet appareil, nous confirmons sa conformité à toutes les normes européennes de protection de l'environnement, de la santé et de sécurité applicables à sa catégorie de produits.

## 2. PROTECTION DE L'ENVIRONNEMENT



Cet appareil est marqué du symbole correspondant à la directive européenne 2012/19/EU sur les déchets d'équipements électriques et électroniques (DEEE).

La catégorie DEEE recouvre à la fois les substances polluantes (pouvant avoir des retombées négatives sur l'environnement) et les composants de base pouvant être réutilisés. Il est important de soumettre les produits DEEE à des traitements spécifiques, afin d'en retirer et éliminer tous les polluants, de manière adéquate, et d'en récupérer et recycler tous les matériaux possibles.

Chaque individu peut jouer un rôle important en veillant à ce que les produits DEEE ne deviennent pas un problème pour l'environnement. Pour cela, il est essentiel de suivre quelques règles de base :

- Les produits DEEE ne doivent pas être traités comme des ordures ménagères.
- Les produits DEEE doivent être remis aux points de collecte compétents gérés par la municipalité ou des sociétés autorisées. Dans de nombreux pays, les produits DEEE encombrants peuvent faire l'objet d'une collecte à domicile.

Dans de nombreux pays, lorsque vous achetez un nouvel appareil, l'ancien peut être retourné au détaillant qui est en devoir de le retirer sans frais sur la base du nouvel achat, lorsqu'il s'agit d'un équipement du même type et ayant les mêmes fonctions.



## 3- INSTALLATION

L'installation d'un appareil ménager est une opération compliquée qui, si elle n'est pas correctement effectuée, peut avoir des conséquences négatives sur la sécurité des biens, des propriétés et des personnes. C'est pourquoi cette tâche doit être effectuée par un professionnel qualifié et conformément à la réglementation technique en vigueur.

Si cette recommandation n'est pas respectée et que l'installation est effectuée par une personne non qualifiée, le fabricant décline toute responsabilité pour des pannes techniques du produit entraînant ou non des dommages aux biens et propriétés ou des blessures aux personnes et animaux.

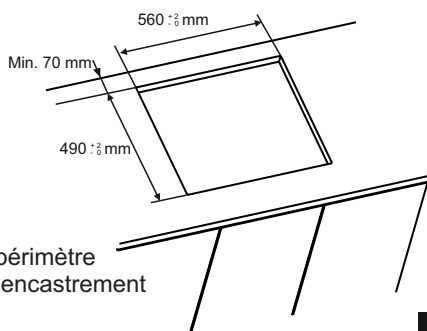
Après avoir retiré l'emballage de votre appareil, vérifiez que celui-ci n'est pas endommagé. Dans le cas contraire, contactez votre détaillant ou notre service après-vente.

Vérifiez que le meuble dans lequel l'appareil sera installé et tous les autres meubles à proximité de celui-ci soient construits avec des matériaux qui supportent les hautes températures (min. 100 °C).

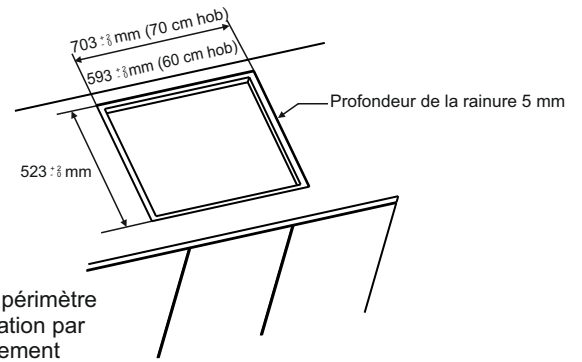
En outre, tous les stratifiés décoratifs doivent être fixés avec une colle résistant à la chaleur.

Il est possible d'installer l'appareil dans un meuble encastré de façon standard ou « au ras ».

L'épaisseur du plan de travail doit être comprise entre 25 et 45 mm.



Largeur du périmètre d'installation par encastrement

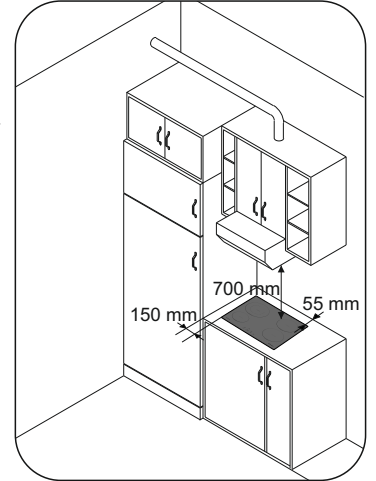


Largeur du périmètre de l'installation par encastrement

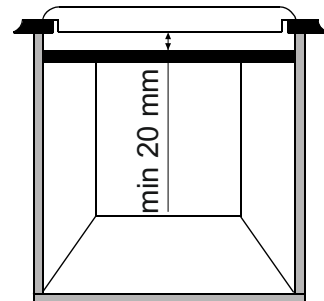
**Remarque :** les dimensions du périmètre interne sont les mêmes que pour une installation standard.

Laissez une distance minimum de 55 mm entre la table de cuisson et le mur du fond et de 150 mm entre la table de cuisson et le meuble vertical ou mur présent sur le côté. Pour l'installation d'un meuble au-dessus de la table de cuisson, la distance minimum requise est de 700 mm.

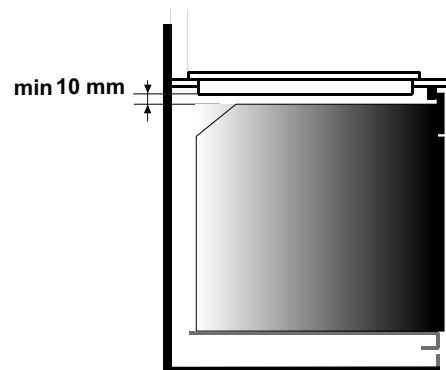
Si vous souhaitez installer une hotte au-dessus de la table de cuisson, veuillez consulter les consignes d'installation de la hotte, tout en sachant que la distance minimum requise entre table de cuisson et hotte ne peut pas être inférieure à 700 mm.



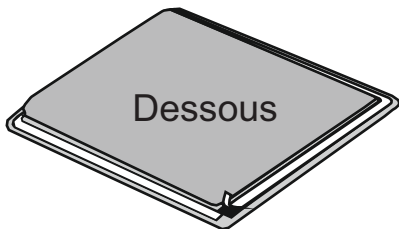
Si la partie inférieure de la table de cuisson confine avec un espace accessible pour des opérations de maintenance ou de nettoyage, un panneau de séparation doit être installé 20 mm au-dessous de la table de cuisson



L'installation d'un four au-dessous de la table de cuisson ne requiert pas de panneau de séparation, mais la distance minimum entre la partie inférieure de la table de cuisson et le four doit être de 10 mm. Seul un four avec système de refroidissement peut être installé sous la table de cuisson, selon ses propres consignes d'installation.

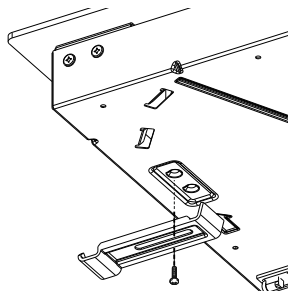


Un joint d'étanchéité à l'eau est fourni avec la table de cuisson. Posez le joint d'étanchéité bien soigneusement tout autour de la partie inférieure de la table de cuisson, comme illustré, afin d'empêcher toute fuite dans le meuble d'encastrement.

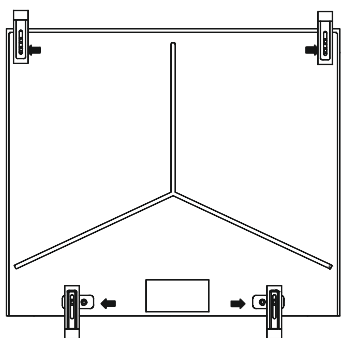


#### Fixation ordinaire :

- Saisissez les pattes de fixation contenues dans le sachet de visserie et vissez-les dans la position indiquée sur le boîtier inférieur. (ne serrez pas les vis à fond pour ne pas bloquer les pattes : elles doivent rester mobiles).

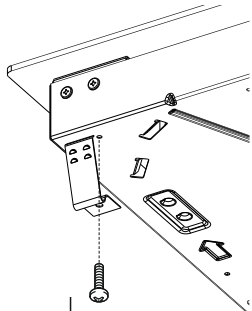


- Insérez la table de cuisson au centre du plan de découpe.  
- Tournez les pattes de fixation et serrez-les à fond.

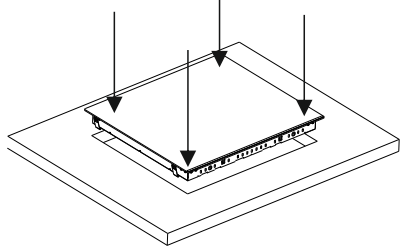


#### Fixation rapide : (selon le modèle)

Saisissez quatre ressorts contenus dans le sachet de visserie et vissez-les sur le boîtier inférieur, comme illustré.



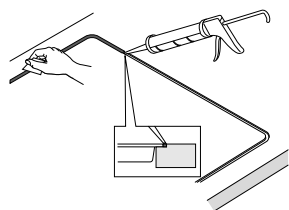
Centrez la table de cuisson et insérez-la. Exercez une pression sur les côtés de la table de cuisson pour qu'elle adhère à son support sur tout son périmètre.



#### INSTALLATION PAR ENCASTREMENT

Vérifiez que la table de cuisson est correctement installée, puis étalez de la colle au silicone au niveau de l'interstice entre le plan de travail et la table de cuisson. Aplatissez la couche de silicone avec un racloir ou un doigt mouillé à l'eau savonneuse, avant qu'elle ne sèche.

N'utilisez pas la table de cuisson avant que la couche de silicone ne soit complètement sèche



## 4. RACCORDEMENT ÉLECTRIQUE

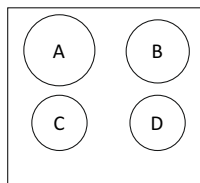


SCHÉMA 1

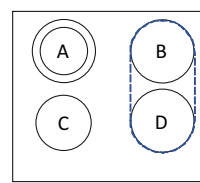


SCHÉMA 2

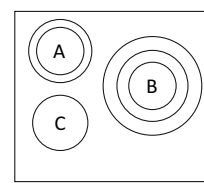


SCHÉMA 3

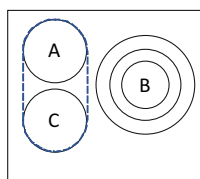


SCHÉMA 4

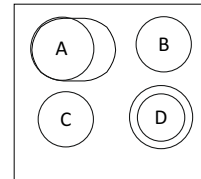
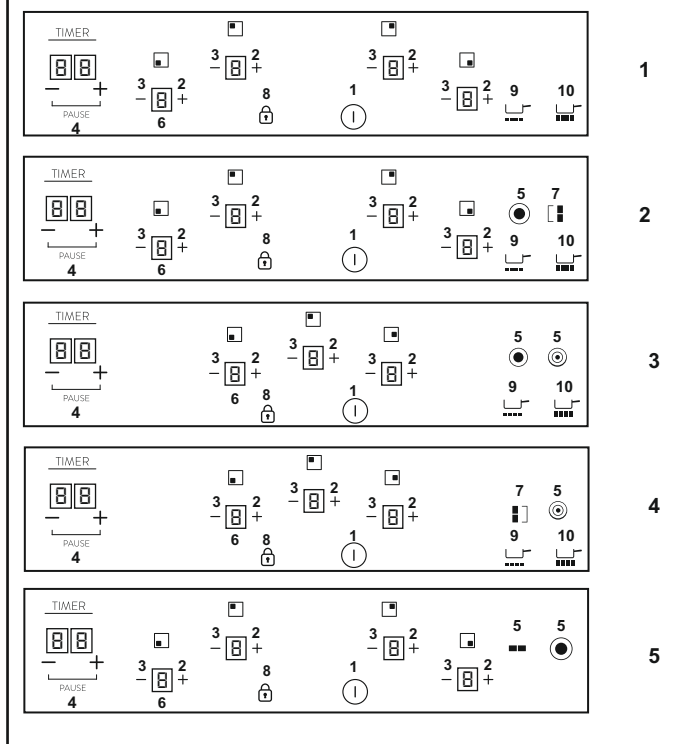


SCHÉMA 5

	A	B	C	D
<b>SCHÉMA 1</b>	2300W	1800 W	1200 W	1200 W
<b>SCHÉMA 2</b>	1000+700 W	1800 W	1200 W	1800 W
<b>SCHÉMA 3</b>	1000+700 W	1050+900+750 W	1200 W	-
<b>SCHÉMA 4</b>	1800W	1050+900+750 W	1800 W	-
<b>SCHÉMA 5</b>	1500+900 W	1200 W	1200 W	1000+700 W

#### SCHÉMA



Selon le modèle

1. ON/OFF
2. « + »
3. « - »
4. Minuterie
5. LED supplémentaire zone de cuisson
6. Indicateur de programmation de la zone de cuisson
7. Pont
8. Verrouillage enfant
9. Faire fondre
10. Faire bouillir

« L'installation doit être conforme aux normes et directives. » Le fabricant décline toute responsabilité en cas de dommage dû à une utilisation non conforme ou non raisonnable.

**AVERTISSEMENT :** Le fabricant décline toute responsabilité pour tout incident ou ses conséquences pouvant être dues à l'usage d'un appareil non mis à la terre ou dont la continuité de mise à la terre est défectueuse.

Avant tout branchement électrique, vérifiez toujours la tension d'alimentation indiquée sur le compteur électrique, l'installation du coupe-circuit, la continuité de la mise à la terre de l'installation et la compatibilité du fusible.

Le branchement électrique de l'installation doit correspondre à la puissance nominale de l'appareil : brancher l'appareil à l'aide d'un interrupteur bipolaire.

Si l'appareil est équipé d'une prise de courant, il convient de veiller lors de l'installation à ce que la prise reste accessible.

Le câble jaune et vert du cordon d'alimentation doit être mis à la terre des bornes d'alimentation et des bornes de l'appareil.

Toute question concernant le cordon d'alimentation électrique doit être adressée au service après-vente ou à un technicien qualifié.

Si la table de cuisson est équipée d'un cordon d'alimentation, celui-ci doit obligatoirement être raccordé au secteur 220-240 V entre la phase et le neutre.

Il est toutefois possible de brancher la table de cuisson à :

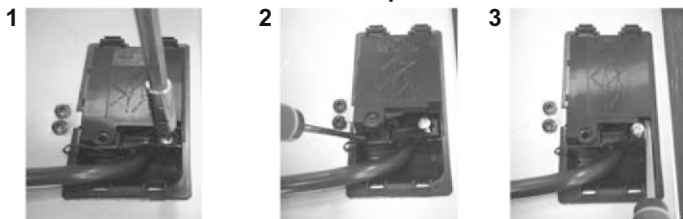
- Triphasés 220-240 V3
- Triphasés 380-415 V2N

Pour procéder au nouveau branchement, suivez les instructions ci-dessous :

Avant de réaliser le branchement, assurez-vous que l'installation est protégée par un fusible adéquat et qu'elle est équipée de câbles de section suffisante pour alimenter normalement l'appareil.

Retournez la table de cuisson, côté verre, sur le plan de travail, en prenant soin de protéger le verre.

#### Ouvrez le couvercle selon les étapes suivantes :



- dévissez le serre-câble « 1 » ;
- localisez les deux pattes situées sur les côtés ;
- introduisez un tournevis plat devant les pattes « 2 » et « 3 », enfoncez et appuyez ;
- déposez le couvercle.

#### Pour retirer le cordon d'alimentation :

- Retirez les vis fixant la plaque à bornes contenant les barres shunt et les conducteurs du cordon d'alimentation ;
- Retirez le cordon d'alimentation.

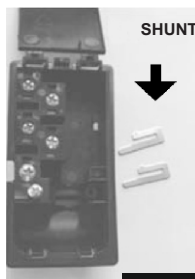
#### Opérations nécessaires pour réaliser un nouveau branchement :

- choisissez le cordon d'alimentation en fonction des recommandations du tableau ;
- Faites passer le cordon dans le serre-câble ;
- Découpez l'extrémité de chaque fil du cordon d'alimentation sur 10 mm, en tenant compte de la longueur de cordon nécessaire pour le branchement à la plaque à bornes ;
- Selon l'installation et avec l'aide des barres shunt que vous avez récupérées à la première étape, fixez le conducteur comme indiqué sur le graphique ;
- Fixez le couvercle ;
- Vissez le serre-câble.

#### Remarque : vérifiez que les vis du bornier sont bien serrées.

#### Opérations nécessaires pour réaliser un nouveau branchement :

- Choisissez le cordon d'alimentation en fonction des recommandations du tableau ;
- Faites passer le cordon dans le serre-câble ;
- Découpez l'extrémité de chaque fil du cordon d'alimentation sur 10 mm, en tenant compte de la longueur de cordon nécessaire pour le branchement à la plaque à bornes ;
- Selon l'installation et avec l'aide des barres shunt que vous avez récupérées à la première étape, fixez le conducteur comme indiqué sur le graphique ;
- Fixez le couvercle ;
- Vissez le serre-câble.



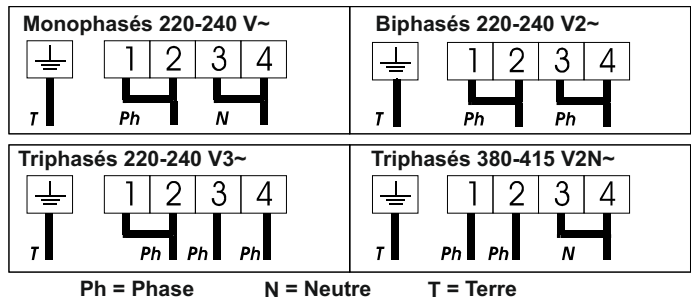
#### ATTENTION :

Si le cordon d'alimentation doit être remplacé, connectez le nouveau cordon conformément aux couleurs/codes suivants :

BLEU	Neutre	(N)
MARRON	Sous tension	(L)
JAUNE VERT	Terre	(⊕)

#### Branchement aux bornes de la plaque à bornes

	DISPOSITION "1-3"	DISPOSITION "2-4"
MONOPHASÉS ou BIPHASÉS 220-240 V~		
Câble HO5V2V2F	3x2,5 mm <sup>2</sup>	3x4 mm <sup>2</sup>
TRIPHASÉS 220-240 V3~		
Câble HO5V2V2F	4x1,5 mm <sup>2</sup>	4x1,5 mm <sup>2</sup>
TRIPHASÉS 380-415 V2N~		
Câble HO5V2V2F	4x1,5 mm <sup>2</sup>	4x1,5 mm <sup>2</sup>



#### 5. CONSEILS CONCERNANT LES USTENSILES DE CUISSE POUR LA TABLE DE CUISSE

Il est important d'utiliser des ustensiles de cuisson de bonne qualité afin d'obtenir les meilleurs résultats avec votre table de cuisson



• **Utilisez toujours des ustensiles de cuisson de qualité, aux fonds parfaitement plats et épais :** l'utilisation de ce type d'ustensiles évitera les points chauds causant l'adhérence des aliments. Les casseroles et poêles épais assurent une distribution homogène de la chaleur.

• **Assurez-vous que le dessous de la casserole ou de la poêle est sec :** lorsque vous remplissez votre casserole de liquide ou lorsque vous en utilisez une précédemment rangée au réfrigérateur, assurez-vous que le dessous est bien sec avant de le poser sur la table de cuisson. Cela évitera de tâcher la table de cuisson.

• **Utilisez des casseroles dont le diamètre est assez large pour recouvrir toute la surface du foyer :** la taille de la casserole ne doit pas être inférieure à celle du foyer. Si elle est un peu plus grande, l'énergie sera exploitée au maximum.

**CHOIX DES USTENSILES DE CUISSE** - Les informations suivantes vous aideront à choisir des ustensiles de cuisson performants.

**Acier inoxydable :** nous le recommandons vivement. Notamment les modèles avec fond plat en sandwich. Le fond en sandwich allie les avantages de l'acier inoxydable (esthétique, durabilité et résistance) et de l'aluminium ou du cuivre (conduction thermique, distribution homogène de la chaleur).

**Aluminium :** nous recommandons les modèles extra-lourds. Bonne conductivité. Les résidus d'aluminium laissent parfois des rayures sur la table de cuisson, mais elles s'éliminent si elles sont nettoyées immédiatement.

En raison de son point de fusion bas, l'aluminium fin ne doit pas être utilisé.

**Fonte :** elle peut être utilisée, mais nous ne la recommandons pas. Les performances laissent à désirer. Elle risque de rayer la surface.

**Fond en cuivre / faïence :** nous recommandons les modèles extra-lourds. Bonnes performances, mais le cuivre risque de laisser des



résidus ressemblant à des rayures. Les résidus peuvent être éliminés si la table de cuisson est immédiatement nettoyée. Quoiqu'il en soit, ne laissez pas ces casseroles chauffer à vide. Le métal surchauffé risque d'adhérer aux plaques vitrocéramiques. Une casserole en cuivre surchauffée laissera une trace indélébile sur la table de cuisson.

**Porcelaine / émail** : bonnes performances uniquement avec un petit fond lisse et plat.

**Vitrocéramique** : *non recommandée*. Les performances laissent à désirer. Elle risque de rayer la surface.

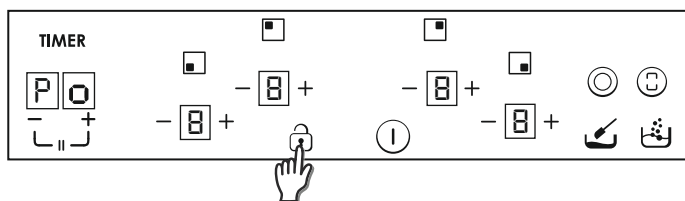
## 6. UTILISATION

### Comment choisir le niveau de gestion de la puissance

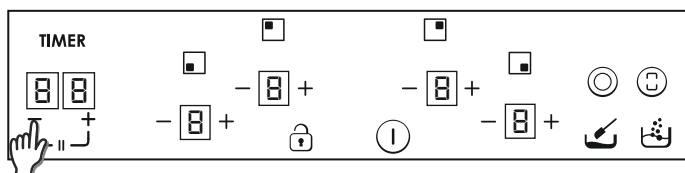
Grâce à la fonction « Gestion de la puissance », l'utilisateur peut définir la puissance maximale qui peut être atteinte par la plaque de cuisson. La fonction de gestion de la puissance est disponible uniquement durant les 30 premières secondes suivant l'activation de la plaque de cuisson. Il existe également la possibilité de répéter ce réglage en débranchant et rebranchant la prise électrique. En réglant la puissance maximale souhaitée, la plaque de cuisson ajuste automatiquement la distribution de la puissance dans les différentes zones de cuisson afin de ne jamais dépasser la limite ; cela permet également de gérer simultanément toutes les zones de cuisson sans problème de surcharge. Le client peut définir la puissance maximale de la plaque de cuisson entre 2,5 kW et la puissance maximale relative de la plaque de cuisson (peut varier en fonction du modèle). Par exemple, si la puissance maximale de la table de cuisson est de 7 kW, la puissance maximale à régler se situe entre 2,5 kW et 7 kW.

Au moment de l'achat, la plaque de cuisson est définie sur la puissance maximale. Après avoir branché l'appareil sur l'alimentation électrique, vous avez 30 secondes pour régler le niveau de puissance en vous basant sur les points indiqués ci-dessous :

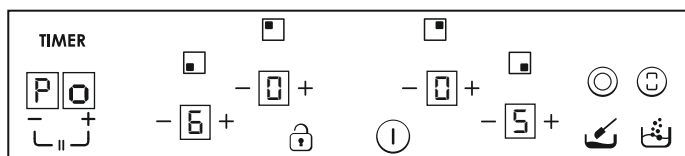
- 1.- Activez la plaque de cuisson
- 2.- Laissez la commande tactile finir son processus d'initialisation
- 3.- Déverrouillez la touche de commande.



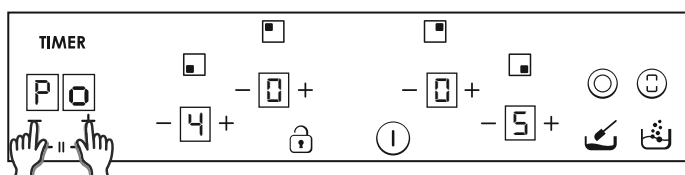
- 4.- Avant de passer 30 secondes après la mise en marche de la table de cuisson, appuyer pendant 5 secondes sur la touche « - » de la minuterie.



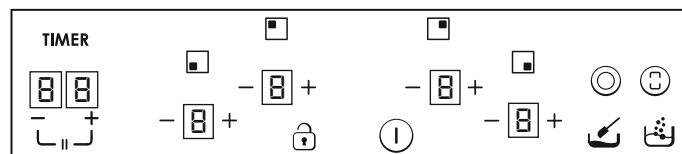
- 5.- Après ce moment, ce message apparaîtra sur l'affichage, Po sur l'affichage de la minuterie. Niveau de puissance divisé par 100 dans les affichages de chauffage.



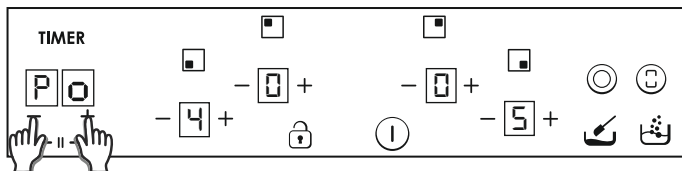
- 6.- A l'aide des touches « + » et « - » de la minuterie, la valeur de gestion de la puissance peut être ajustée. Lorsque la valeur désirée est sélectionnée, appuyer en même temps sur les touches « + » et « - » pendant 5 secondes.



- 7.- Au terme de ce processus un long bip retentit et une remise à zéro est faite. Le processus de démarrage sera généré à nouveau.



- 8.- Après le processus de démarrage, la gestion de la puissance s'affiche sur l'écran de la minuterie.

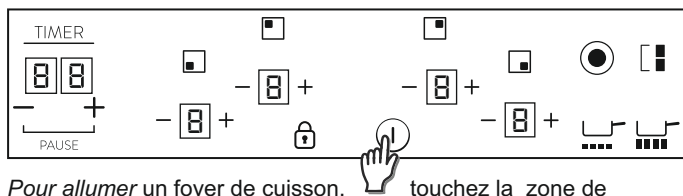


**Par la suite, la commande tactile ne permettra aucune combinaison dépassant cette limite.**

### Remarques :

- a) Cette gestion de la puissance n'est disponible que pendant les 30 premières secondes après la mise en marche de la table de cuisson.
- b) Si cette sélection de gestion de la puissance est sur ON, si plus de 90 secondes passent après l'allumage de la table de cuisson, ce processus sera terminé sans qu'aucune nouvelle valeur de puissance ne soit enregistrée.
- c) Si cette sélection de gestion de la puissance est sur ON, si l'on appuie sur une touche sauf la combinaison des touches « + » et « - » de la minuterie, le processus sera terminé **sans aucune nouvelle** valeur de puissance étant enregistrée et la commande tactile commencera à fonctionner comme d'habitude, sans réinitialisation.
- d) Si cette sélection de gestion de l'alimentation est sur ON, si la combinaison des touches "+" et "-" de la minuterie est appuyée, le processus sera terminé **avec un nouvelle** valeur de puissance étant enregistrée ; la **remise à zéro** et le contrôle tactile commenceront à fonctionner comme d'habitude.

### Allumer/Éteindre un foyer de cuisson



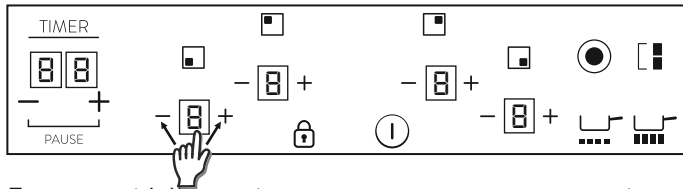
Pour allumer un foyer de cuisson, touchez la zone de commande correspondante bip retentit et le chiffre « 0 » s'affiche pour cette zone, indiquant le niveau de chauffe.

- 1) Si le niveau de cuisson est sur « 0 », cet affichage s'interrompt automatiquement au bout de 10 secondes et le signal de coupure de cette zone retentit.
- 2) S'il y a présence de chaleur résiduelle avec niveau de chauffe égal à « 0 », ce « 0 » clignote.
- 3) Si la fonction de verrouillage est activée, vous ne pouvez activer de zone de cuisson.

Pour éteindre un foyer, touchez sa zone de commande pendant 1,2 s. Trois bips sonores retentissent et, s'il y a chaleur résiduelle, la lettre « H » s'affiche. La zone de commande du foyer est alors éteinte.

- 1) Si le niveau de cuisson est sur « 0 », cet affichage s'interrompt automatiquement au bout de 10 secondes et le signal de coupure de la zone de commande retentit.
- 2) S'il y a chaleur résiduelle, mais que la zone de commande est éteinte, la lettre « H » s'affiche.
- 3) Même si la fonction de verrouillage est activée, vous pouvez éteindre une zone de commande.
- 4) Si un seul foyer de cuisson est activé et que celui-ci est ensuite éteint, 4 bips sonores retentissent pour indiquer que tout le plan de cuisson est éteint.

## Augmenter/Diminuer le niveau de chauffe.



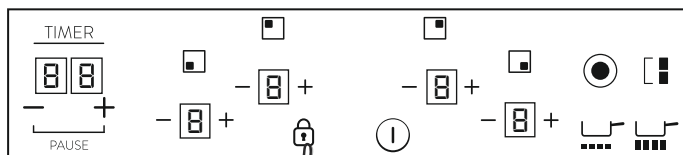
En appuyant brièvement sur « + » ou « - », vous augmentez ou diminuez le niveau de chauffe de la zone sélectionnée : 0 - 1 - 2 - 3 - ... - 9 - P

1. En appuyant plus longuement sur « + » ou « - », le niveau de chauffe augmente ou diminue de manière continue. L'augmentation rapide du niveau de chauffe atteint le niveau 9 et pour un niveau encore plus élevé, appuyez brièvement sur la touche « + ». Aucun bip ne retentit avec l'augmentation ou la diminution rapide du niveau de chauffe.

2. Une fois sur « P », si vous appuyez une nouvelle fois sur la touche « + », cela ne ramène pas le niveau de réglage à « 0 ». De même, une fois sur « 0 », si vous appuyez une nouvelle fois sur la touche « - », cela ne ramène pas le niveau de réglage sur « P ».

3. Si une zone de commande est activée avec réglage sur « 0 » et qu'il y a chaleur résiduelle, le « 0 » clignote. 10 secondes après, le « 0 » disparaît et la lettre « H » fixe s'affiche.

## Option verrouillage enfant



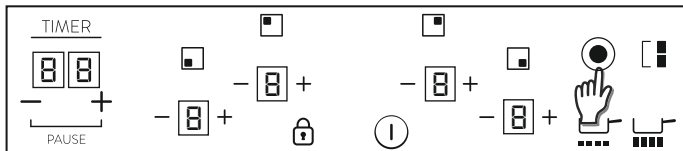
Cette action est activée en appuyant sur la touche de verrouillage.

Ensuite, chaque fois qu'on appuie sur une touche, la lettre « L » s'affiche pendant 2 secondes et le niveau de chauffe reste le même.

Pour désactiver le verrouillage enfant, suivre la même procédure que celle indiquée plus haut. Ensuite, un bip retentit et l'écran affiche la lettre « n ». La table de cuisson n'est plus verrouillée.

Remarque : Le verrouillage enfant est automatiquement activé 15 minutes après l'arrêt total de la table de cuisson.

## Doubler/Tripler la zone de cuisson



Pour activer l'élargissement double de la zone de cuisson, la zone principale associée doit déjà être allumée à un niveau de chauffe supérieur à « 0 ».

### 8.1- Allumage de la zone double de cuisson

Appuyez brièvement sur la touche d'élargissement qui activera l'élargissement du foyer de cuisson. Le LED de la touche d'élargissement affiche ON si l'élargissement du foyer de cuisson est activé.

Appuyez une deuxième fois brièvement sur la touche d'élargissement qui éteint l'élargissement du foyer de cuisson. Un bip retentit chaque fois que vous appuyez sur la touche d'élargissement.

### 8.2- Allumage de la zone triple de cuisson

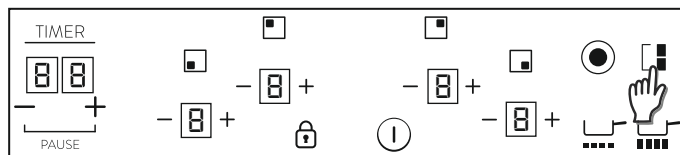
Appuyez brièvement sur la touche d'élargissement qui allumera le 1er élargissement du foyer de cuisson. L'un des LED de la touche d'élargissement affiche ON si le 1er élargissement du foyer de cuisson est activé (LED côté gauche pour un foyer triple de cuisson, LED du milieu, le seul existant, pour un foyer double de cuisson).

Appuyez une deuxième fois brièvement sur la touche d'élargissement qui active le deuxième élargissement du foyer de cuisson. Deux LED de la touche d'élargissement du foyer s'allument si le 1er et le 2è élargissement du foyer de cuisson sont allumés.

Appuyez une troisième fois brièvement sur la touche d'élargissement qui éteint le 1er et le 2è élargissement du foyer de cuisson.

Un bip retentit chaque fois que vous appuyez sur la touche d'élargissement.

## Fonction de pont



La fonction de pont ne peut être activée que lorsque les deux foyers sont éteints. L'un des foyers du pont a été sélectionné ; pour activer la fonction de pont appuyez sur la touche pont.

Un bip retentit et le LED de la zone s'allume si la zone de commande est activée.

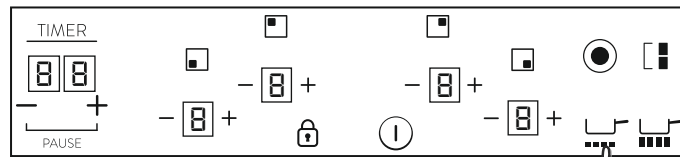
Les deux foyers du pont sont activés en même temps.

Une fois que les deux foyers sont activés, vous pouvez régler le niveau de chauffe en appuyant sur les touches « + » et « - ».

Les deux foyers du pont affiche le même niveau de chauffe. Arrêt de la fonction :

- en appuyant sur la touche fonction de pont en mode de paramétrage.
- Si l'utilisateur règle le niveau de chauffe sur « 0 ».

## Fonction « faire fondre »



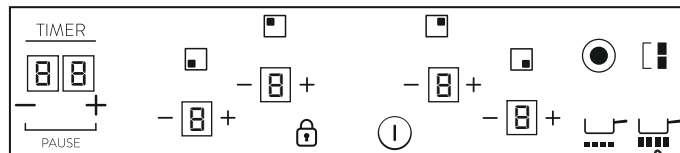
Activation de la fonction Faire fondre, après sélection d'un foyer de cuisson :

- appuyez sur la touche Faire fondre, un signal sonore retentit et l'affichage du foyer indique « U » ; le foyer fonctionnera au niveau de chauffe « 2 ».

Le foyer étant sélectionné, la fonction Faire fondre se terminera :

- si elle est désactivée,
- si un autre niveau de chauffe est sélectionné.

## Fonction « faire bouillir »

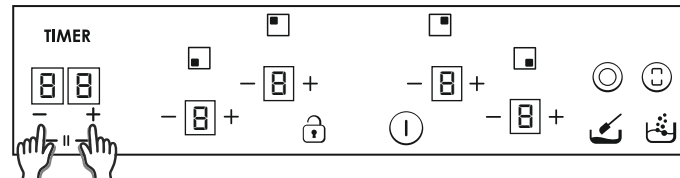


Activation de la fonction Faire bouillir, après sélection d'un foyer de cuisson :

- appuyez sur la touche Faire bouillir, un signal sonore retentit et l'affichage du foyer indique « P »

Le foyer fonctionnera au niveau maximum de chauffe pendant 10 minutes. À la fin de ces 10 minutes, un signal sonore retentit et le niveau de chauffe descend au niveau « 9 ».

## FUNCTION PAUSE



La fonction pause permet de mettre la cuisson en pause pendant un moment, pour permettre à l'utilisateur d'aller ouvrir la porte ou de répondre au téléphone, sans craindre que le contenu de sa casserole ne déborde. Cette fonction est également très utile pour nettoyer la surface de l'interface utilisateur, sans modifier le réglage de cuisson.

La fonction pause est indiquée par le symbole « II ». Pour sélectionner cette fonction, l'utilisateur appuie en même temps sur les touches « + » et « - » qui sont sous la touche du temporisateur.

Remarque : il n'est pas possible de mettre en pause une seule zone de cuisson. En utilisant la fonction pause, vous mettez toute la plaque de cuisson en pause.

Comment la fonction pause fonctionne-t-elle ?

Pour activer la fonction pause, appuyez simultanément sur la touche «

+ » et la touche « - », sous le temporisateur, pendant une demi-seconde.

- La fonction pause est activée et la plaque de cuisson cesse de chauffer

- Le réglage de la puissance de chauffe des brûleurs, pour les cuissons en cours, est mémorisé et la puissance de chauffe des brûleurs est sur « 0 »

- La coupure automatique des brûleurs est suspendue

- Tous les décomptes de durée de chauffe sont suspendus

- Toutes les touches sont verrouillées, sauf la fonction pause (combinaison de la touche « + » et de la touche « - ») et la touche ON/OFF

- La touche de temporisation (Timer) n'affiche rien et tous les brûleurs s'allument et affichent « 0 », segment par segment vers la gauche, puis vers la droite, sans arrêt.


Remarque : aucun témoin à LED n'indique que la fonction pause est en cours. En appuyant une nouvelle fois en même temps sur les touches « + » et « - », la fonction pause est désactivée.

Désactiver la fonction pause :

Pour mettre fin à la « Fonction pause », appuyez une nouvelle fois sur la combinaison de touches « + » et « - » du temporisateur (Timer) pendant une demi-seconde. La fonction pause est désactivée, la plaque de cuisson reprend à chauffer (un signal sonore retentit) et le réglage de cuisson de chaque brûleur est rétabli.


Remarque : si la plaque de cuisson est mise en pause pendant plus de 10 minutes, la plaque de cuisson s'éteint automatiquement.

### Sécurité débordement

Un objet ou un liquide fait pression sur une ou plusieurs touches pendant plus de 5 s. 2 bips retentissent suivis d'un long bip toutes les 30 s, aussi longtemps que la ou les touches subissent telle pression. La table de cuisson s'éteint.  Ce symbole clignote tant que ce problème persiste.

### Minuterie

Pour mettre le temporisateur en marche, il faut qu'un foyer ait été sélectionné à un niveau de chauffe supérieur à « 0 ».

Choisissez la zone que vous voulez temporiser. Le niveau de chauffe doit être supérieur à « 0 ». Le symbole  statique s'affiche en correspondance de la zone choisie pour la temporisation. Les chiffres « 00 » s'affichent en correspondance de la fonction de temporisation.

1) Appuyez sur les touches « + » ou « - » pour choisir la durée de temporisation. Aucun bip ne retentit lorsque vous changez cette durée.

2) En appuyant simultanément sur les touches « + » et « - », la temporisation est annulée (elle affiche 00).

3) En appuyant sur les touches « + » et « - » du temporisateur pendant un certain temps, vous effectuez un réglage rapide.

4) Pour régler la minuterie, la touche « - » permet d'aller de « 00 » à « 99 » et la touche « + » de « 99 » à « 00 ».

5) Durée maximum 99 minutes.

6) Une fois ce temps écoulé, la table de cuisson commence à sonner : appuyez sur n'importe quelle touche pour faire cesser l'alarme.


7) Il est possible de modifier la valeur la minuterie alors même qu'il est déjà en fonction.

8) Le niveau de chauffe des zones temporisées peut être modifié sans conséquences pour le réglage la minuterie.

9) La dernière minute s'affichera en secondes (sur certaines versions visible uniquement si vous entrez dans la programmation la minuterie pendant la dernière minute du compte à rebours).

10) Si vous appuyez sur la touche de temporisation sans avoir sélectionné de zone et quand aucune zone n'est temporisée, cela n'a pas de suite.

11) Si vous appuyez sur la touche de temporisation sans avoir sélectionné de zone et quand plusieurs zones sont temporisées, la durée indiquée change dans le sens des aiguilles d'une montre et indique la durée de l'affichage dont le point des décimales est activé.

12) Sinon l'affichage du niveau de puissance du foyer temporisé alterne entre niveau de puissance (5s) et le symbole  (0,5s).

Le compte à rebours s'affiche dans les espaces d'affichage de la temporisation. Si plusieurs zones sont temporisées, c'est la valeur la plus petite du compte à rebours qui s'affiche et les décimales s'affichent en correspondance de la zone concernée.

### Indicateur de chaleur résiduelle (pour les foyers à rayonnement -> calculé)

De même, on peut utiliser les mêmes indicateurs pour montrer la « chaleur résiduelle ». Un tableau des durées est défini dans ce but : Durée de chaleur résiduelle = f (niveau de chauffe, durée de fonctionnement).

Quand la température sur le plan de cuisson vitrocéramique est égale à environ 65 °C (valeur théorique), cette condition est indiquée par un « H » s'affichant en correspondance du foyer concerné.

Pour générer une température supérieure à 65 °C, tel foyer doit fonctionner depuis un certain temps et cette durée dépend du niveau de chauffe. Une fois ce temps écoulé, l'avertissement de chaleur résiduelle s'affiche au moment où le foyer est éteint.

### Arrêt automatique

Si le niveau de chauffe ne change pas pendant un certain temps prédéterminé, il y a arrêt automatique du foyer correspondant.

La durée maximale de fonctionnement d'un foyer dépend du niveau de chauffe réglé.

Niveau de chauffe	Durée max. (heures)
1	10
2	5
3	5
4	4
5	3
6	2
7	2
8	2
9	2

**REMARQUE :** s'il y a risque de surchauffe dû à l'activation du niveau de chauffe maximum, la table de cuisson règle automatiquement son niveau de chauffe pour se protéger.

## 7. NETTOYAGE ET ENTRETIEN

*Avant toute opération d'entretien, laissez refroidir la table de cuisson. Utilisez uniquement des produits (crèmes et racleurs) spécifiquement conçus pour les surfaces vitrocéramiques. Ils s'achètent dans le commerce.*

*Évitez les débordements, car toute substance se renversant sur la table de cuisson brûle rapidement et rendra le nettoyage plus difficile.*

*Nous recommandons d'éviter d'utiliser des substances risquant de fondre (plastique, sucre, produits à base de sucre) à proximité de la table de cuisson.*

#### ENTRETIEN :

- Versez quelques gouttes d'un détergent spécifique sur la table de cuisson.

- Frottez les taches tenaces à l'aide d'un chiffon doux ou de papier absorbant légèrement humide.

- Essuyez avec un chiffon doux ou du papier absorbant sec jusqu'à ce que la surface soit propre.

#### Si des taches subsistent :

- Versez quelques gouttes supplémentaires de détergent spécifique sur la table de cuisson.

- Grattez à l'aide d'un racleur en le tenant à un angle de 30° par rapport à la table de cuisson, jusqu'à disparition de la tache.

- Essuyez avec un chiffon doux ou du papier absorbant sec jusqu'à ce que la surface soit propre.

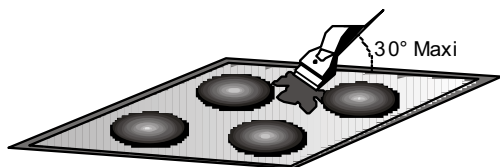
- Recommencez si nécessaire.

#### QUELQUES CONSEILS :

Le nettoyage fréquent crée une couche protectrice essentielle pour éviter les rayures et l'usure de la table de cuisson. Assurez-vous que la surface de la table de cuisson est propre avant de la réutiliser. Pour éliminer les traces d'eau, utilisez quelques gouttes de vinaigre blanc ou de jus de citron. Puis essuyez avec du papier absorbant et quelques gouttes de détergent spécifique.

La surface vitrocéramique résiste aux rayures des ustensiles de cuisson à fond plat. Toutefois, il est préférable de les soulever pour les déplacer d'une zone de cuisson à l'autre.

N.B.:



**Ne pas utiliser d'éponge trop humide.**  
**Ne jamais utiliser de couteau ou de tournevis.**  
**Un racleur équipé d'une lame de rasoir n'endommage pas la surface, tant qu'il est maintenu à un angle de 30°.**  
**Ne pas laisser le racleur avec lame de rasoir à la portée des enfants.**  
**Ne jamais utiliser de produits abrasifs ou de poudre à récuser.**

**Bordure métallique :** Pour nettoyer la bordure métallique en toute sécurité, lavez à l'eau et au savon, rincez, puis séchez avec un chiffon doux.

**Toute variation de la couleur du verre vitrocéramique n'a pas d'influence sur son fonctionnement, ni sur la solidité de sa surface. Les variations de couleur sont pour la plupart dues à des résidus alimentaires brûlés ou à des ustensiles de cuisine en aluminium ou en cuivre (ces dernières sont difficiles à éliminer).**

## 8. RÉOLUTION DE PROBLÈMES

**Les zones de cuisson ne permettent pas de faire mijoter ou ne font frire qu'à petit feu**

Utilisez uniquement des casseroles à fond plat. Si de la lumière passe entre la casserole et la table de cuisson, la zone de cuisson ne peut pas correctement transmettre la chaleur.

Le fond de casserole doit couvrir entièrement le diamètre de la zone sélectionnée.

**La cuisson est trop lente**

Les casseroles utilisées ne sont pas adaptées. Utilisez uniquement des ustensiles de cuisson à fond plat, lourd et dont le diamètre est au moins égal à celui de la zone de cuisson.

**Petites rayures ou traces d'abrasion sur la surface vitrocéramique**

Nettoyage inadapté ou utilisation de casseroles à fond non lisse ; particules, telles que des grains de sable ou du sel, entre la plaque de cuisson et le fond de la casserole. Consultez le chapitre « NETTOYAGE ». Assurez-vous que le fond des casseroles est propre avant de vous en servir et utilisez uniquement des casseroles à fond lisse. Vous pouvez réduire le nombre de rayures par un nettoyage soigné.

### Traces de métal

Ne faites pas glisser les casseroles en aluminium sur la surface vitrocéramique. Reportez-vous aux recommandations de nettoyage. Vous utilisez le bon matériel, mais les taches persistent. Utilisez une lame de rasoir et suivez les consignes du chapitre « NETTOYAGE ».

### Taches foncées

Utilisez une lame de rasoir et suivez les consignes du chapitre « NETTOYAGE ».

### Zones claires sur la table de cuisson

Il s'agit peut-être de traces de casseroles en aluminium ou en cuivre, ou encore de dépôts minéraux, d'eau ou d'aliments : vous pouvez les éliminer à l'aide d'un détergent en crème.

### Caramélisation ou plastique fondu sur la table de cuisson

Consultez le chapitre « NETTOYAGE ».

### La table de cuisson ou certaines zones de cuisson ne fonctionnent pas.

Les shunts ne sont pas bien positionnés sur le bornier.

Faites vérifier que la connexion est conforme et contrôlez que le panneau de commande est verrouillé. Déverrouillez la table de cuisson.

### La table de cuisson ne s'arrête pas.

Le panneau de commande est verrouillé. Déverrouillez la table de cuisson.

### Fréquence des cycles de marche-arrêt des zones de cuisson

Les cycles de marche-arrêt varient en fonction du niveau de chaleur requis :

- niveau faible : temps d'activité court,
- niveau élevé : temps d'activité long.

### Le plan de cuisson ne fonctionne pas.

Contrôlez l'état des fusibles et du disjoncteur de votre circuit électrique. Vérifiez s'il y a une panne de courant.

### Le plan de cuisson s'est éteint.

Le commutateur principal (touche ON/OFF) a été actionné accidentellement ou un objet quelconque est présent sur une ou plusieurs touches. Éliminez le ou les objets présents sur le panneau de commande. Saisissez à nouveau vos paramètres de réglage.

### La lettre « F » et des chiffres sont affichés

Si un « F » et des chiffres s'affichent, votre appareil a détecté une défaillance. Le tableau suivant vous indique les actions possibles de résolution du problème.

## 9. CONTRÔLE D'ENTRETIEN PRÉLIMINAIRE

**Avant de faire appel à un technicien d'entretien, veuillez vérifier les points suivants :**

- la prise est correctement branchée et le fusible est en bon état ;
- Si vous ne parvenez pas à identifier l'erreur, éteignez l'appareil. Ne le modifiez pas. Appelez le centre SAV. L'appareil est fourni avec certificat de garantie, qui vous assure une réparation gratuite au centre SAV.

Affichage foyer de cuisson	Problème	Solution
F0	Erreur du logiciel de commande tactile	Si une erreur s'est produite, débranchez puis rebranchez le câble d'alimentation. Si l'erreur persiste, appelez le service après-vente. Si l'erreur apparaît à l'improviste au cours du fonctionnement ordinaire, appelez le service après-vente
Fc	La zone de commande tactile est trop chaude, ce qui a désactivé tous les foyers de cuisson.	Attendez jusqu'à ce que la température ait baissé, la plaque de cuisson sera rétablie quand la température atteindra une valeur normale. Quand le message disparaît, vous pouvez utiliser à nouveau la table de cuisson.
Ft	Le capteur de température à commande tactile est peut-être endommagé.	Attendez que la température ait chuté. Si ce message persiste quand la température atteint telle valeur ambiante, appelez le service après-vente.
FE	Le capteur de température à commande tactile est peut-être endommagé.	Attendez que la température ait chuté. Si ce message persiste quand la température atteint telle valeur ambiante, appelez le service après-vente.
Fb	Sensibilité excessive de toutes les touches.	Vérifiez que le plan de cuisson est correctement monté. Contrôlez que les touches sont bien au contact de la plaque en verre vitrocéramique.
FU / FJ	Erreur sécurité du clavier	Cette erreur résulte d'un contrôle automatique du clavier. Elle disparaît quand le contrôle automatique détecte une valeur acceptable. Si l'erreur persiste, appelez le service après-vente.
FA	Erreur sécurité du clavier	Cette erreur résulte d'un contrôle automatique du logiciel. Elle disparaît quand le contrôle automatique détecte une valeur acceptable. Si l'erreur persiste, appelez le service après-vente.
FC / Fd	Erreur sécurité du clavier	Cette erreur résulte d'un contrôle automatique du logiciel. Elle disparaît quand le contrôle automatique détecte une valeur acceptable. Si l'erreur persiste, appelez le service après-vente
Fr	Erreur sécurité des relais	Les pilotes de relais sont susceptibles d'une multitude de problèmes. Coupez l'alimentation du plan de cuisson pendant une minute, puis rebranchez. Si l'erreur persiste, appelez le service après-vente.



## BEZPEČNOSTNÍ OPATŘENÍ

Doporučujeme vám, abyste si uchovali pokyny pro instalaci a použití pro pozdější potřebu, a před instalací varné desky si poznamenejte její sériové číslo pro případ, že byste potřebovali pomoc poprodejního servisu.

**UPOZORNĚNÍ:** Spotřebič a jeho přístupné části se během používání zahřívají na vysokou teplotu. Dávejte pozor, abyste se nedotkli topných článků. Děti do 8 let věku musejí být mimo dosah spotřebiče, pokud nejsou pod neustálým dohledem.

**UPOZORNĚNÍ:** Používejte pouze ochrannou zábranu varné desky navrženou výrobcem varného spotřebiče nebo zábranu, kterou výrobce spotřebiče označí v návodu k použití za vhodnou, nebo zábranu zabudovanou do spotřebiče. Použití nevhodných ochranných zábran může způsobit nehody.

**UPOZORNĚNÍ:** Vaření bez dozoru na varné desce s tukem nebo olejem může být nebezpečné a způsobit požár. Nikdy se nepokoušejte uhasit požár vodou; vypněte spotřebič, a potom zakryjte plamen např. pokličkou nebo protipožární dekou.

**UPOZORNĚNÍ:** Nebezpečí požáru: na varném povrchu nic neskladujte.

**UPOZORNĚNÍ:** Pokud je povrch prasklý, nedotýkejte se skla a spotřebič vypněte, aby nedošlo k úrazu elektrickým proudem.

Tento spotřebič smějí používat děti starší 8 let a osoby se sníženými fyzickými, smyslovými nebo duševními schopnostmi nebo bez patřičných zkušeností a znalostí, pokud jsou pod dohledem osoby odpovědné za jejich bezpečnost, případně byly poučeny o bezpečném používání spotřebiče a rozumějí možným nebezpečím. Děti by měly být dohledem, aby se zajistilo, že si se spotřebičem nebudou hrát. Děti nesmějí bez dozoru dospělých spotřebič čistit, ani provádět činnosti údržby.

**POZOR:** Vaření musí probíhat pod dohledem. Na krátký proces vaření je nutné dohlížet neustále.

Důrazně doporučujeme, aby se děti nepřibližovaly k varným zónám v době, kdy jsou v provozu nebo jsou vypnuté, ale indikátor zbytkového tepla svítí, aby se zabránilo riziku vážných popálenin.

Tento spotřebič není určen k používání pomocí externího časovače nebo samostatného dálkového ovládání.

Je-li jimi varná deska vybavena, nedívejte se po delší dobu na prvky varné desky s halogenovými žárovkami

Připojte zástrčku k napájecímu kabelu, který je schopen vydržet napětí, proud a zátěž uvedené na štítku a který je opatřen uzemňovacím kontaktem. Zásuvka musí být vhodná pro zatížení uvedené na štítku a musí mít zapojený a funkční uzemňovací kontakt. Uzemňovací vodič má žlutozelenou barvu. Tuto operaci by měl provádět

odborník s vhodnou kvalifikací. V případě neslučitelnosti mezi zásuvkou a zástrčkou spotřebičů požádejte kvalifikovaného elektrikáře, aby zásuvku nahradil jiným vhodným typem. Zástrčka i zásuvka musejí odpovídat platným normám země instalace.

Připojení k napájecímu zdroji lze provést také tak, že mezi spotřebičem a zdrojem energie, který zvládne maximální připojenou zátěž a který je v souladu se stávajícími právními předpisy, je umístěn omnipolární vypínač.

Žlutozelený uzemňovací kabel by neměl být přerušen vypínačem. Zásuvka nebo omnipolární vypínač používaný pro připojení by měl být při instalaci spotřebiče snadno přístupný.

Odpojení lze zajistit přístupnou zástrčkou nebo začleněním spínače v pevném zapojení v souladu s pravidly elektroinstalace.

Je-li napájecí kabel poškozen, musí jej vyměnit výrobce, jeho autorizovaný servis nebo podobně kvalifikované osoby, aby nedošlo ke vzniku nebezpečných situací. Zemnicí vodič (žlutozelený) musí být na straně svorkovnice delší než 10 mm. Vnitřní část vodičů by měla odpovídat výkonu absorbovanému varnou deskou (uvedeno na štítku). Typ napájecího kabelu musí být HO5V2V2-F.

Na varnou desku nepokládejte žádné kovové předměty jako nože, vidličky, lžice nebo pokličky. Mohly by se zahřát na velmi vysokou teplotu.

Na zóny ohřevu se nesmějí umisťovat hliníkové fólie ani plastové nádoby.

Po každém použití je nutné varnou desku vyčistit, aby se zabránilo hromadění nečistot a mastnoty. Pokud se tyto nečistoty a mastnota na varné desce ponechají, jsou při jejím používání znovu zahřívány a spalovány za vzniku kouře a nepříjemných zápachů, nemluvě o riziku šíření požáru.

K čištění spotřebiče nikdy nepoužívejte páru ani vysokotlaký postřik.

Nedotýkejte se tepelných zón během provozu a po nějakou dobu po použití

Jídlo nepřipravujte nikdy přímo na sklokeramické varné desce.

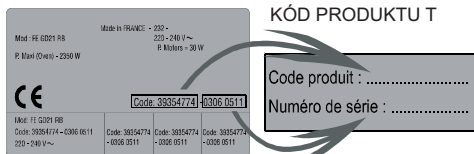
Vždy používejte odpovídající nádobí.

Nádobu vždy umístěte do středu jednotky, na které vaříte. Nic nepokládejte na ovládací panel. Varnou desku nepoužívejte jako pracovní plochu.

Povrch desky nepoužívejte jako krájecí prkénko. Nad varnou deskou neukládejte těžké předměty. Pokud by na desky spadly, mohly by způsobit její poškození.

Na varnou desku neodkládejte žádné předměty. Nádobí po varné desce neposunujte.

Identifikační štítek (umístěný pod spodním krytem varné desky)




KÓD PRODUKTU T

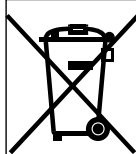
Code produit : .....

Numéro de série : .....

## 1. VŠEOBECNÁ UPOZORNĚNÍ

Umístěním značky CE  na tento spotřebič jsme potvrdili shodu se všemi příslušnými evropskými požadavky na bezpečnost, ochranu zdraví a životního prostředí, které se vztahují na tuto kategorii výrobků.

## 2. OCHRANA ŽIVOTNÍHO PROSTŘEDÍ



Tento spotřebič je označen v souladu s evropskou směrnicí 2012/19/EU o likvidaci elektrického a elektronického zařízení (WEEE).

WEEE obsahuje znečišťující látky (které mohou mít negativní dopad na životní prostředí) a základní součástky, které lze znovu použít. Je nutné provést speciální zpracování WEEE, aby se odstranily a správně zlikvidovaly všechny znečišťující látky a získaly a zrecyklovaly všechny materiály.

Jednotlivci mohou hrát důležitou roli při zajišťování toho, aby se WEEE nestala zátěží pro životní prostředí. Je nezbytné dodržovat několik základních pravidel:

- WEEE se nesmí likvidovat jako domovní odpad.
- WEEE se musí předat na příslušné sběrné místo pod správou obce nebo autorizovaných společností. V mnoha zemích je zaveden odběr WEEE v domácnostech.

V mnoha zemích lze při zakoupení nového spotřebiče vrátit starý spotřebič prodejci, který je povinen jej odebrat bezplatně kus za kus, pokud je spotřebič obdobného typu a má stejnou funkci jako dodaný spotřebič.

## 3- INSTALACE

Instalace domácího spotřebiče může být komplikovaná operace, která, pokud není provedena správně, může vážně ovlivnit bezpečnost zboží, majetku či osob. Z tohoto důvodu ji musí provádět odborně kvalifikovaná osoba v souladu s technickými předpisy.

V případě, že by se tato doporučení ignorovala a instalaci provedla nekvalifikovaná osoba, výrobce odmítá veškerou odpovědnost za případné technické selhání spotřebiče, bez ohledu na to, zda má nebo nemá za následek poškození zboží či majetku nebo zranění osob či zvířat.

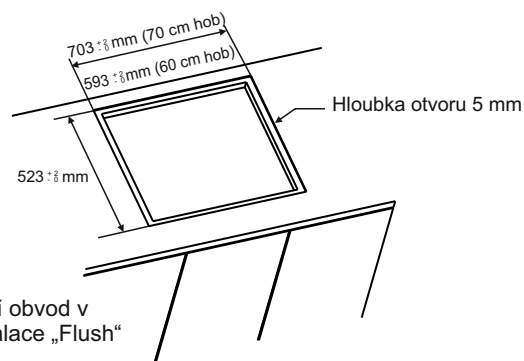
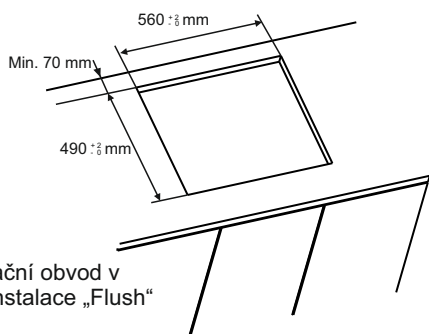
Po odstranění obalu se ujistěte, že spotřebič není poškozen. V opačném případě se obraťte na oddělení poprodejních služeb prodejce nebo výrobce.

Ujistěte se, že nábytek, do kterého se spotřebič instaluje, a veškerý přilehlý nábytek je vyroben z materiálů, které odolávají vysokým teplotám (min. 100 °C).

Kromě toho by měly být všechny dekorativní lamináty upevněny pomocí tepelně odolného lepidla.

Spotřebič lze nainstalovat do vestavěného nábytku v režimu „Standard“ nebo „Flush“.

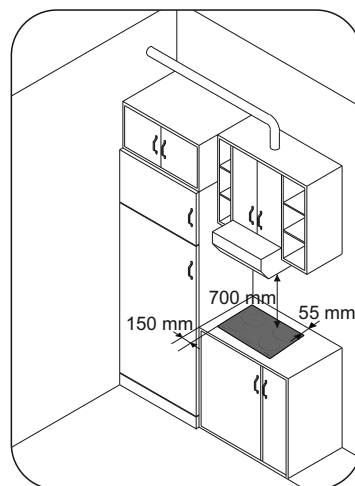
Pracovní deska musí mít tloušťku 25-45 mm.



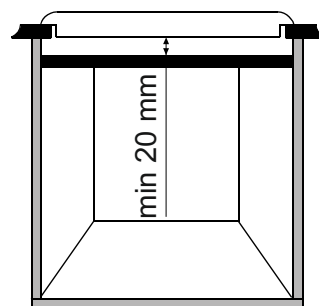
**Poznámka:** Vnitřní obvodové rozměry jsou shodné se standardní instalací

Nechte mezi varnou deskou a zadní stěnou mezeru nejméně 55 mm a mezi varnou deskou a vertikálním nábytkem nebo stěnami na boční straně nejméně 150 mm. Pokud je nad varnou deskou instalován nábytek, požadovaná minimální vzdálenost je 700 mm.

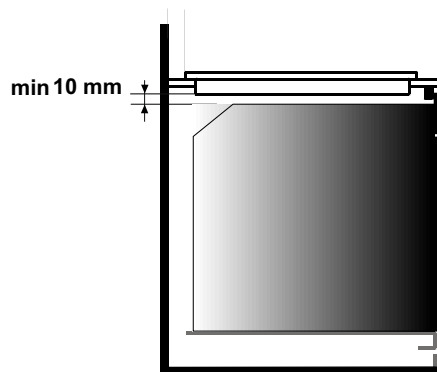
Při instalaci odsavače par nad varnou deskou se řiďte požadavky na instalaci odsavače par, ale v žádném případě nesmí být vzdálenost mezi varnou deskou a odsavačem par kratší než 700 mm.



Sousedí-li spodní část varné desky s oblastí, která je běžně přístupná pro manipulaci nebo čištění, je nutné umístit pod spodní část varné desky oddělovač o tloušťce 20 mm.

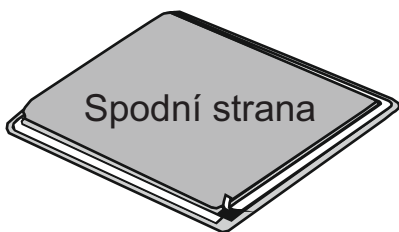


Při instalaci trouby pod varnou deskou nelze oddělovač použít a minimální vzdálenost mezi spodní částí varné desky a troubou nesmí být kratší než 10 mm. Neinstalujte pod tuto varnou deskou troubu bez chlazení. Troubu nainstalujte podle jejich vlastních požadavků na instalaci.



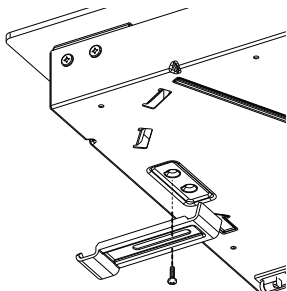


Voděodolné těsnění je dodáváno s varnou deskou. Namontujte těsnění na spodní stranu dle popisu a ujistěte si, že je správně upevněno, abyste se vyhnuli úniku do nosného nábytku.

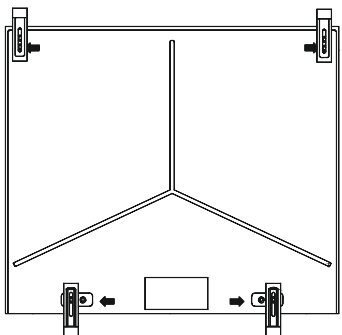


#### Normální upevnění:

- Vyměňte upevňovací svorky ze sáčku s příslušenstvím a zašroubujte je do polohy zobrazené ve spodní straně. (Neutahujte šrouby ve svorkách, měly by se volně pohybovat)

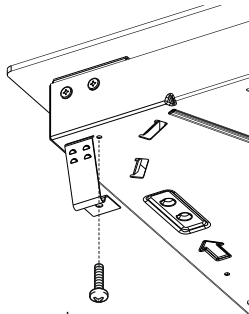


- Umístěte varnou desku do středu výřezu.  
- Otáčejte svorkami a zcela je utáhněte.

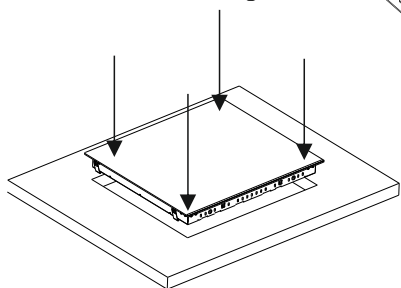


#### Rychlé upevnění: (V závislosti na modelu)

Vyměňte čtyři pružiny ze sáčku s příslušenstvím a zašroubujte je do spodní strany, jak je zobrazeno na obrázku.

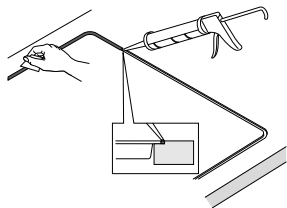


Zarovnejte a vložte varnou desku. Stlačujte strany varné desky, dokud nebude deska po celém obvodu podložena.

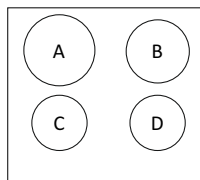


#### INSTALACE FLUSH

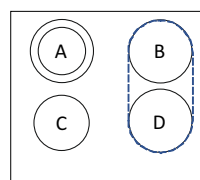
Po zkontrolování správné polohy varné desky vyplňte mezery mezi pracovní deskou a varnou deskou silikonovým lepidlem. Silikonovou vrstvu zarovnejte škrabkou nebo mokrým prstem namočeným do vody s mýdlem, než zatvrdne. Varnou desku nepoužívejte, dokud nebude silikonová vrstva zcela suchá.



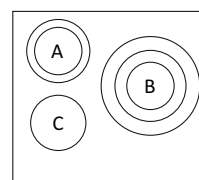
## 4. ELEKTRICKÉ PŘIPOJENÍ



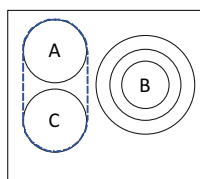
USPOŘÁDÁNÍ 1



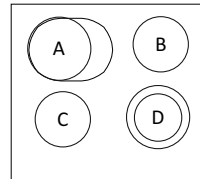
USPOŘÁDÁNÍ 2



USPOŘÁDÁNÍ 3



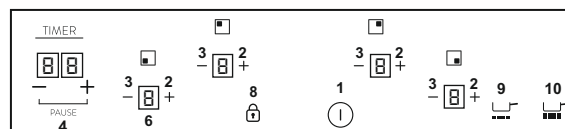
USPOŘÁDÁNÍ 4



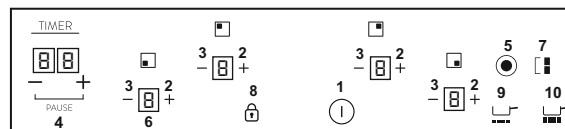
USPOŘÁDÁNÍ 5

	A	B	C	D
USPOŘÁDÁNÍ 1	2300W	1800 W	1200 W	1200 W
USPOŘÁDÁNÍ 2	1000+700 W	1800 W	1200 W	1800 W
USPOŘÁDÁNÍ 3	1000+700 W	1050+900+750 W	1200 W	-
USPOŘÁDÁNÍ 4	1800W	1050+900+750 W	1800 W	-
USPOŘÁDÁNÍ 5	1500+900 W	1200 W	1200 W	1000+700 W

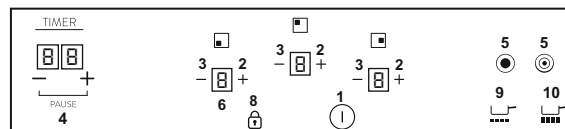
#### USPOŘÁDÁNÍ



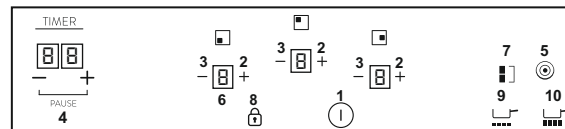
1



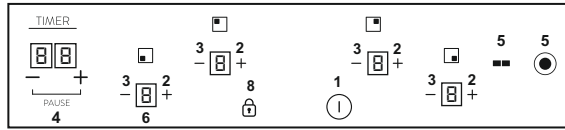
2



3



4



5

V závislosti na modelu

1. ZAP/VYP
2. „+“
3. „-“
4. ČASOVAČ
5. Kontrolka přidavné varné zóny
6. Kontrolka programování varné zóny
7. Můstek
8. Dětská pojistka
9. Rozmrazení
10. Var

**„Instalace musí odpovídat normám a směrnicím.“ Výrobce neodpovídá za žádné škody, které byly způsobeny nevhodným nebo nepřiměřeným použitím.**

**VAROVÁNÍ:** Výrobce nezodpovídá za žádné nehody způsobené při používání spotřebiče, který není uzemněn nebo není uzemněn správně, ani za následky takových nehod.

Před každou elektrickou operací zkontrolujte napájecí napětí, které je uvedené na elektroměru, nastavení jističe, kontinuitu uzemnění zařízení a vhodnost pojistky.

Elektrické připojení k zařízení je nutné provést podle jmenovitého výkonu spotřebiče. To se provede přes vypínač s otvory. Pokud je spotřebič vybaven zásuvkou, musí být nainstalován tak, aby byla zásuvka přístupná.

Žlutý/zelený vodič napájecího kabelu musí být připojen k uzemnění napájecího zdroje a pólů zařízení.

Jakékoli dotazy týkající se napájecího kabelu směřujte na poprodejní servis nebo kvalifikovaného technika. Pokud je varná deska napájena napájecím kabelem, může být připojen pouze k napájecímu napětí 220-240 V mezi fází a středem.

Varnou desku je však možné připojit k:  
Tři fáze 220-240 V3  
Tři fáze 380-415 V2N

Chcete-li přejít k novému připojení, postupujte podle následujících pokynů:  
Před připojením se ujistěte, že je zařízení chráněno vhodnou pojistkou a že je opatřeno vodiči dostatečně velkého průřezu pro normální napájení spotřebiče.  
Otočte varnou desku skleněnou stranou proti pracovní ploše a dbejte na ochranu skla.

**Otevřete kryt v následujícím pořadí:**



- odšroubujte kabelovou svorku „1“;
- najděte dva jazýčky umístěné po stranách;
- položte čepel plochého šroubováku před každý jazýček „2“ a „3“, zatlačte a stiskněte;
- odejměte kryt.

**Uvolnění napájecího kabelu:**

- Vyjměte šrouby, které drží svorkovnici, která obsahuje zkratovací tyče a vodiče napájecího kabelu;
- Vytáhněte napájecí kabel.

**Operace nezbytné k vytvoření nového připojení:**

- Zvolte napájecí kabel v souladu s doporučeními uvedenými v tabulce.
- Napájecí kabel přetáhněte do svorky.
- Sloupněte konec každého vodiče napájecího kabelu na délce 10 mm, přičemž přihlídněte k požadované délce kabelu pro připojení ke svorkovnici.
- V závislosti na zařízení upevněte pomocí zkratovacích tyčí, které byste měli mít z prvního kroku, vodič podle obrázku.
- Upevněte kryt.
- Zašroubujte kabelovou svorku.

**Poznámka: Ujistěte se, že jsou šrouby svorkovnice těsně utažené.**

**Operace nezbytné k vytvoření nového připojení:**

- Zvolte napájecí kabel v souladu s doporučeními uvedenými v tabulce.
- Napájecí kabel přetáhněte do svorky.
- Sloupněte konec každého vodiče napájecího kabelu na délce 10 mm, přičemž přihlídněte k požadované délce kabelu pro připojení ke svorkovnici.
- V závislosti na zařízení upevněte pomocí zkratovacích tyčí, které byste měli mít z prvního kroku, vodič podle obrázku.
- Upevněte kryt.
- Zašroubujte kabelovou svorku.



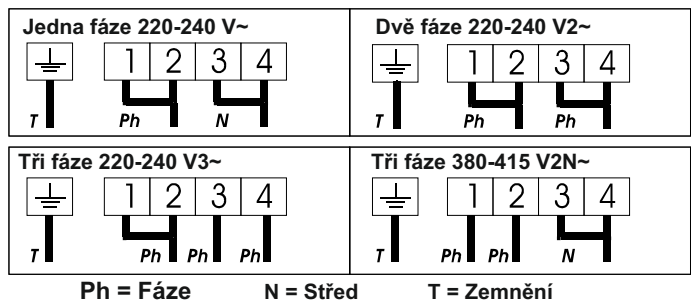
**UPOZORNĚNÍ:**

Bude-li nutné vyměnit napájecí kabel, zapojte dráty podle následujících barev/ kódů:

MODRÁ	Střední	(N)
HNĚDÁ	Fázový	(L)
ŽLUTO-ZELENÝ	Zemnici	(⊕)

**Připojení ke svorkám na svorkovnici**

	USPOŘÁDÁNÍ "1-3"	USPOŘÁDÁNÍ "2-4"
JEDNA FÁZE nebo DVĚ FÁZE 220-240 V~		
Kabel HO5V2V2F	3x2,5 mm <sup>2</sup>	3x4 mm <sup>2</sup>
TŘI FÁZE 220-240 V3~		
Kabel HO5V2V2F	4x1,5 mm <sup>2</sup>	4x1,5 mm <sup>2</sup>
TŘI FÁZE 380-415 V2N~		
Kabel HO5V2V2F	4x1,5 mm <sup>2</sup>	4x1,5 mm <sup>2</sup>



## 5. DOPORUČENÍ OHLEDNĚ NÁDOBÍ PRO VARNOU DESKU

Použití kvalitního nádobí je rozhodující pro získání nejlepšího výkonu z varné desky



- **Vždy používejte kvalitní nádobí s dokonale plochým a silným dnem:** používání tohoto typu nádobí zabrání vytváření horkých míst, které způsobují přilnutí potravin. Silné kovové hrnce a pánve zajistí rovnoměrné rozložení tepla.
  - **Zajistěte, aby dno hrnce nebo pánve bylo suché:** pokud plníte nádobu tekutinou nebo používáte tekutinu, která byla uložena v ledničce, tak se před umístěním nádoby na varnou desku ujistěte, že dno nádoby je zcela suché. To pomůže zamezit znečištění varné desky.
  - **Používejte nádoby, jehož průměr je dostatečně široký na to, aby zcela zakrylo povrchovou jednotku:** velikost pánve by neměla být menší než plocha ohřevu. Pokud je o něco širší, je to zárukou využití energie s maximální účinností.
- VOLBA NÁDOBÍ** - Následující informace vám pomohou vybrat nádobí, které zajistí dobrý výkon.
- Nerezová ocel:** výrazně doporučeno. Obzvláště dobré se sendvičovým dnem. Sendvičové dno spojuje výhody nerezové oceli (vzhled, odolnost a stabilita) s výhodami hliníku nebo mědi (vedení tepla, rovnoměrné rozložení tepla).
- Hliník:** doporučuje se vyšší hmotnost. Dobrá vodivost. Hliníkové zbytky někdy vypadají jako škrábance na varné desce, ale lze je odstranit okamžitým vyčištěním. Vzhledem k nízkému bodu tavení by se neměl používat tenký hliník.
- Lišina:** použitelná, ale nedoporučuje se. Nízký výkon. Může povrch poškrábat.
- Měděné dno / kamenina:** doporučuje se vyšší hmotnost. Dobrý výkon, ale měď může zanechat zbytky, které mohou vypadat jako

škrábance. Tyto zbytky lze odstranit, pokud varnou desku okamžitě vyčistíte. Nenechávejte však tyto hrnce vařit nasucho. Přehřátý kov se může ke skleněným varným deskám přilepit. Přehřátý měděný hrnec zanechává zbytky, které varnou desku trvale poskvrní.

**Porcelán / smalt:** Dobrý výkon pouze s tenkým, hladkým a plochým dnem.

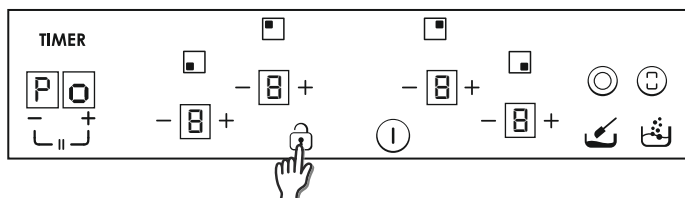
**Sklo-keramika:** *nedoporučuje se.* Nízký výkon. Může povrch poškrábat.

## 6. POUŽITÍ

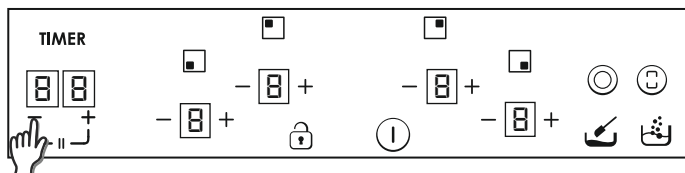
### Jak zvolit stupeň řízení výkonu

Prostřednictvím funkce „Řízení výkonu“ může uživatel nastavit maximální výkon, kterého může varná deska dosáhnout. Funkce řízení výkonu je k dispozici pouze během prvních 30 sekund po zapnutí varné desky. Toto nastavení lze dokonce opakovat tak, že se vypne a zapne přívod napájení. Při nastavení požadovaného maximálního výkonu varná deska automaticky upravuje rozvod do různých varných zón tak, aby tento limit nikdy nebyl překročen; další výhodou je schopnost současně řídit všechny zóny, aniž by docházelo k problémům s přetížením. Zákazník může nastavit maximální výkon varné desky mezi 2,5 kW a příslušným maximálním výkonem varné desky (ten se může lišit podle modelu) Například, pokud je maximální výkon varné desky 7 kW, maximální výkon pro nastavení je mezi 2,5 kW a 7 kW. Po zakoupení je varná deska nastavena na maximální výkon. Po připojení spotřebiče k elektrickému napájení můžete do 30 sekund nastavit stupeň výkonu podle níže uvedených bodů:

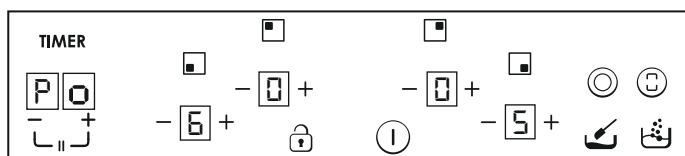
- 1.- Zapněte varnou desku.
- 2.- Počkejte, než se dokončí inicializace dotykového ovládání.
- 3.- Odblokujte ovládání.



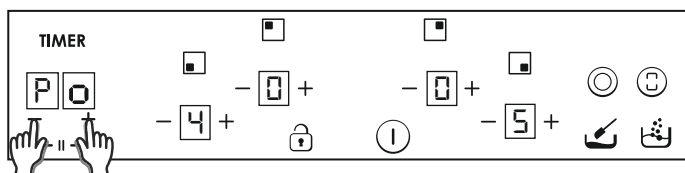
- 4.- Do 30 vteřin po zapnutí varné desky se na 5 vteřin dotkněte tlačítka "-" časovače.



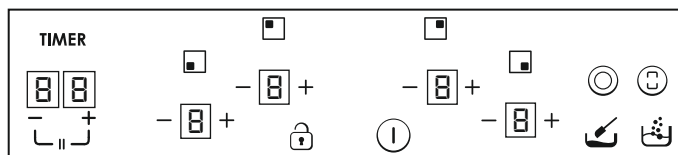
- 5.- Potom se na displeji časovače objeví tato zpráva - Po. Na displeji ohřívače se objeví úroveň výkonu dělená 100.



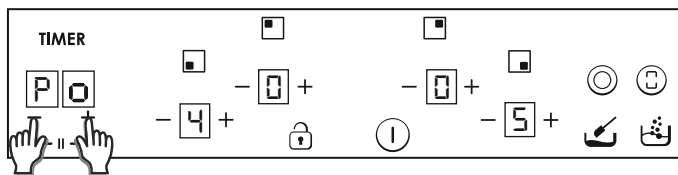
- 6.- Pomocí tlačítek časovače "+" a "-" lze nastavit hodnotu Řízení výkonu. Po zvolení požadované hodnoty do 5 vteřin současně stiskněte tlačítka "+" a "-".



- 7.- Po dokončení tohoto postupu se ozve dlouhé pípnutí a provede se reset. Znovu se aktivuje spouštěcí postup.



- 8.- Po procesu spuštění se na displeji časovače zobrazí řízení výkonu.

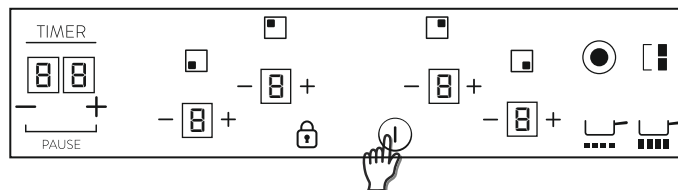


Potom dotykové ovládání nedovolí žádnou kombinaci, která by překročila tento limit.

### Poznámky:

- a) Tato funkce Řízení výkonu je k dispozici pouze během prvních 30 vteřin po zapnutí varné desky.
- b) Je-li tato volba Řízení výkonu ZAPNUTÁ, po uplynutí více než 90 vteřin od zapnutí varné desky bude proces ukončen bez uložení nové hodnoty výkonu.
- c) Je-li tato volba Řízení výkonu ZAPNUTÁ, a dotknete se jakéhokoli tlačítka s výjimkou kombinace časovače "+" a "-", proces bude ukončen **bez uložení** nové hodnoty výkonu a dotykové ovládání začne fungovat jako obvykle, bez resetu.
- c) Je-li tato volba Řízení výkonu ZAPNUTÁ, a dotknete se kombinace časovače "+" a "-", proces bude ukončen s uložením **nové** hodnoty výkonu a **reset** a dotykové ovládání začne fungovat jako obvykle.

### Zapnutí/vypnutí zóny ohřevu



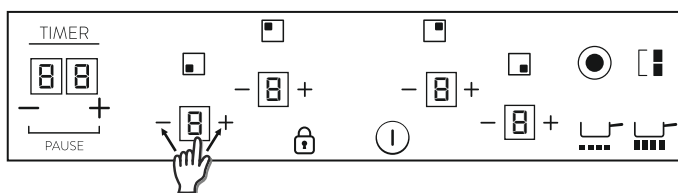
**Pro zapnutí** plotýnky podržte stisknuté tlačítko spuštění plotýnky po dobu 400 ms. Zazní dlouhé pípnutí a v zóně se objeví hodnota „0“.

- 1) Je-li nějaký stupeň vaření v poloze 0, displej se po 10 sekundách automaticky vypne a zazní tón vypnutí zóny.
- 2) Pokud na displeji, který je zapnutý, avšak v poloze 0, svítí indikátor zbytkového tepla, bude blikat „0“.
- 3) Je-li aktivní funkce zámku, nelze zónu zapnout.

**Pro vypnutí** plotýnky podržte stisknutou zónu kterékoli plotýnky po dobu 1,2 s. Zazní tři krátká pípnutí a na místě číslice cílové zóny se neobjeví nic nebo se objeví hodnota „H“, pokud je na plotýnce zbytkové teplo. Zóna bude vypnutá.

- 1) Je-li nějaký stupeň vaření v poloze 0, displej se po 10 sekundách automaticky vypne a zazní tón vypnutí zóny.
- 2) Pokud na displeji, který je vypnutý, svítí indikátor zbytkového tepla, zobrazí se „H“.
- 3) Zónu lze vypnout, i pokud je aktivní funkce zámku.
- 4) Je-li aktivní pouze jedna plotýnka a tu vypnete, zazní čtyři krátká pípnutí, která značí, že je celá varná deska vypnutá.

### Zvýšení / snížení úrovně výkonu



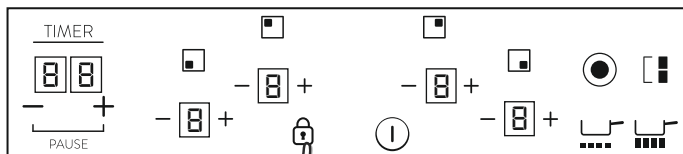
Krátkým stisknutím tlačítek „+“ a „-“ zvýšíte nebo snížíte výkon prostřednictvím číslice zvolených zón: 0-1-2-3...9-P

1. V případě dlouhého stisknutí tlačítek + nebo - se výkon zvyšuje nebo snižuje rychle. V případě rychlého zvyšování se výkon zastaví na 9 a vyšší výkon vyžaduje další krátké stisknutí tlačítka +. Během rychlého zvyšování nebo snižování výkonu nezazní žádný zvukový signál.

2. Jakmile dosáhnete úrovně výkonu P, opětovně stisknutí tlačítka + nezmění úroveň výkonu na 0. Jakmile dosáhnete úrovně výkonu 0, opětovně stisknutí tlačítka - nezmění úroveň výkonu na P.

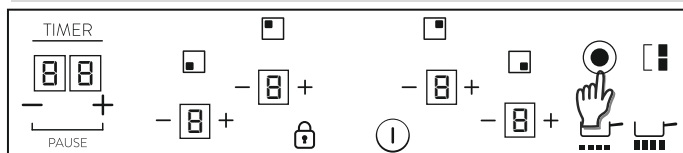
3. Pokud je zóna vypnutá s úrovní výkonu 0, pak v případě, že je horká, bude blikat 0. Po 10 vteřinách 0 zmizí a na displeji se již bez blikání objeví písmeno „H“.

### Dětská pojistka



Tento krok provedete stisknutím tlačítka zámku. Poté, kdykoli se dotknete tlačítka, na displejích se zobrazí „L“ po dobu 2 sekund. Ohřev zůstane beze změny. Přejete-li si dětskou pojistku deaktivovat, opakujte výše popsany postup. Poté zazní krátké pípnutí a na displeji se zobrazí písmeno „n“. Varná deska zůstane odemknutá. Poznámka: Automatická dětská pojistka se zapne 15 minut po celkovém vypnutí varné desky.

### Dvojité / trojité zóny



Přejete-li si zapnout dvojitou rozšiřovací plotýnku, musí již být přidružená hlavní zóna zapnutá a uvedená úroveň výkonu musí být vyšší než 0.

#### 8.1- Zapnutí dvojitě zóny

První krátké stisknutí tlačítka rozšíření zapne rozšiřovací plotýnku. Pokud je rozšiřovací plotýnka zapnutá, rozsvítí se kontrolka nad tlačítkem rozšíření.

Druhé krátké stisknutí tlačítka rozšíření vypne rozšiřovací plotýnku.

☉ Krátké pípnutí při každém stisknutí tlačítka rozšíření.

#### 8.2- Zapnutí trojitě zóny

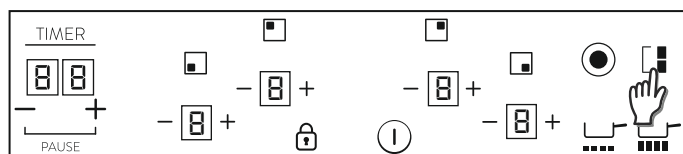
První krátké stisknutí tlačítka rozšíření zapne první rozšiřovací plotýnku. Pokud je zapnutá první rozšiřovací plotýnka, rozsvítí se jedna kontrolka nad tlačítkem rozšíření (levá kontrolka v případě trojitě zóny, prostřední a jediná kontrolka v případě dvojitě zóny).

Druhé krátké stisknutí tlačítka rozšíření zapne druhou rozšiřovací plotýnku. Pokud je zapnutá první i druhá rozšiřovací plotýnka, rozsvítí se dvě kontrolky nad tlačítkem rozšíření.

Třetí krátké stisknutí tlačítka rozšíření vypne první i druhou rozšiřovací plotýnku. ☉

Krátké pípnutí při každém stisknutí tlačítka rozšíření.

### Funkce můstku



Můstek lze aktivovat pouze v případě, že jsou obě plotýnky vypnuté. Po zvolení jedné plotýnky z můstku aktivujte funkci můstku dotykem tlačítka můstku. [ ]

Bude-li zóna aktivována, zazní pípnutí a zapne se kontrolka zóny.

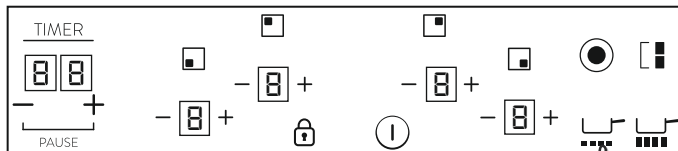
Obě plotýnky můstku budou zvoleny současně.

Po zvolení plotýnek lze úroveň výkonu upravit dle potřeby pomocí tlačítek + a -.

Oba displeje propojených plotýnek budou ukazovat stejnou úroveň výkonu. Ukončení funkce:

- Dotknete-li se tlačítka můstku v režimu nastavení
- Zvolí-li uživatel úroveň výkonu „0“

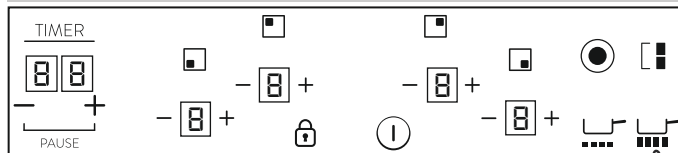
### Funkce rozmrazení



Po zvolení plotýnky aktivujte funkci rozmrazení takto:

- Zvolte tlačítko rozmrazení [ ]
- Zazní zvukový signál a na displeji se zobrazí „U“. Plotýnka bude spuštěna na úrovni výkonu „2“
- Po zvolení plotýnky se funkce rozmrazení ukončí
- v případě vypnutí
- přepnutím na jinou úroveň výkonu.

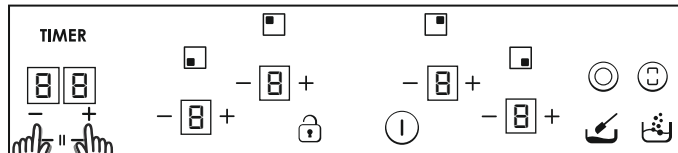
### Funkce varu



Po zvolení plotýnky aktivujte funkci varu takto:

- Zvolte tlačítko varu [ ]
- Zazní zvukový signál a na displeji se zobrazí „P“.
- Plotýnka bude spuštěna na nejvyšší úroveň výkonu po dobu 10 minut.
- Po těchto 10 minutách zazní zvukový signál a plotýnka se přepne na úroveň „9“

### Funkce pauza



Funkce Pauza umožňuje dočasné pozastavení procesu vaření, takže máte možnost jít otevřít dveře, nebo si vyřídít telefon bez obav, že voda přeteče. Tato funkce je rovněž užitečná při čištění povrchu uživatelského rozhraní bez změny nastavení vaření.

Funkce Pauza je označena symbolem II. Tuto funkci lze zvolit tak, že se dotknete současně tlačítka + a - pod časovačem.

Poznámka: Není možné pozastavit pouze jednu zónu. Jestliže aktivujete funkci pauzy, nastavíte pauzu pro celou varnou desku.

Jak funkce Pauza funguje?

Aktivujte funkci pauzy současným stisknutím tlačítka + a - pod časovačem na ½ vteřiny.

- Funkce pauzy je aktivována a varná deska se vypne.
- Aktuální nastavení výkonu ohřivačů se uloží a výkon všech aktivních ohřivačů je nastaven na úroveň výkonu 0.
- Automatický časový vypínač ohřivačů je vypnutý.
- Všechny odpočítávací časovače jsou vypnuté.
- Všechna tlačítka jsou zablokována s výjimkou funkce Pauza (kombinace + a - pod časovačem) a vypínače ZAP/VYP.
- Na displeji časovače se nic nezobrazuje, všechny displeje ohřivačů zobrazují "0"; zapíná se segment po segmentu směrem doleva, a pak se vypíná segment po segmentu směrem doprava, plynule.

Poznámka: Funkci Pauza nesignalizuje žádná kontrolka LED. Funkce pauzy skončí, jakmile se podruhé dotknete kombinace + a -.


Vypnutí funkce Pauza:

Chcete-li ukončit funkci Pauza, stiskněte znovu kombinaci tlačítek + a - časovače na ½ vteřiny. Funkce pauzy se vypne, varná deska se znovu aktivuje (uslyšíte pípnutí) a obnoví se předchozí nastavení výkonu ohřivačů.

Poznámka: Pokud se varná deska pozastaví na dobu delší než 10 minut, varná deska se automaticky vypne.



## Zabezpečení proti přetečení

Něco (předmět nebo tekutina) tlačí na jakékoli tlačítko po dobu delší než 5s. 2 krátká pípnutí + 1 dlouhé pípnutí každých 30 s při současném stisknutí tlačítka. Varná deska se vypne.  Po dobu tohoto problému bude tento symbol neustále blikat.

## Časovač

Pro aktivaci časovače je nutné zvolit plotýnku a její úroveň výkonu musí být vyšší než 0.

V obou případech je nutné zvolit plotýnku a její úroveň výkonu musí být vyšší než 0.

Zvolte zónu, u níž si přejete nastavit časovač. Úroveň výkonu zónu musí být vyšší než 0. V časované zóně se objeví statické

. A na místě číslic vyhrazených pro časovač se objeví „00“ .

1) Čas časovače lze nastavit pomocí tlačítek „+“ a „-“. Při změně času nezazní zvukový signál.

2) Současným stisknutím tlačítek časovače se časovač zruší (přejde na 00).

3) Pokud tlačítka časovače „+“ nebo „-“ zůstanou stisknuta po určitou dobu, dojde k rychlému nastavení.

4) Při nastavování časovače lze přejít z „00“ na „99“ pomocí tlačítka „+“ a „99“ na „00“ pomocí tlačítka „-“.

5) Maximální doba je 99 minut.

6) Když čas vyprší a varná deska bude pípat, stiskněte jakékoli tlačítko, alarm a odpočítávání se vypnou.

7) Čas časovače lze změnit i během odpočítávání.

8) Výkon časované zóny lze změnit bez vlivu na programování časovače.

9) Poslední minuta se odpočítává po sekundách (u některých možností je to viditelné pouze v případě, že zadáme programování časovače během poslední minuty odpočtu).

10) Stisknutí tlačítka časovače bez zvolení konkrétní zóny, pokud není časovaná žádná zóna, nebude mít žádný účinek.

11) Stisknutí tlačítka časovače bez zvolení konkrétní zóny, pokud je odpočítáváno několik zón, způsobí, že se pomocí číslic zobrazí čas jeden po druhém s tím, že se zobrazuje čas plotýnky, na jejímž displeji je tečka.

12) Případně se v časované zóně zobrazí výkon (5s) a (0,5s).

Zbývající čas se zobrazí na místě číslic vyhrazených pro časovač. Je-li časováno několik zón, zobrazí se nejkratší zbývající čas a v příslušné zóně se zobrazí tečka.

## Kontrolka zbytkového tepla (u sálavých ohřivačů -> vypočteno)

Stejně kontrolky lze také použít pro oznamování „zbytkového tepla“. Pro tento účel je nutné definovat harmonogram: Doba zbytkového tepla = f(úroveň výkonu, doba spuštění).

Když je teplota na skleněném povrchu varné desky vyšší než 65 °C (teoretická hodnota), bude to zobrazeno na příslušném displeji pomocí hodnoty „H“.

Aby se vygenerovala teplota vyšší než 65 °C, musí být topný článek v provozu po určitou dobu, přičemž tato doba závisí na úrovni výkonu. Jakmile tato doba uplyne, po vypnutí topného článku se zobrazí upozornění na zbytkové teplo.

## Funkce automatického bezpečnostního vypnutí

Pokud po předem nastavenou dobu nedojde ke změně úrovně výkonu, příslušná plotýnka se automaticky vypne.

Maximální doba, po kterou může plotýnka zůstat zapnutá, závisí na zvolené úrovni vaření.

Stupeň výkonu	Max. doba spuštění (hodiny)
1	10
2	5
3	5
4	4
5	3
6	2
7	2
8	2
9	2

**POZNÁMKA:** Pokud dojde při provozu s nejvyššími úrovněmi výkonu k přehřátí, ovládání varné desky automaticky změní úroveň výkonu, aby tak chránilo varnou desku před přehřátím.

## 7. ČIŠTĚNÍ A ÚDRŽBA

Před prováděním jakékoliv údržby na varné desce ji nechte nejprve vychladnout.

. Používejte pouze výrobky (krémy a škrabky), které jsou speciálně určené pro sklokeramické povrchy. Jsou k dostání v příslušných obchodech.

. Vyhnete se rozliti, protože vše, co spadne na plochu varné desky, se rychle spálí a čištění pak bude obtížnější.

. Doporučuje se udržovat v dostatečné vzdálenosti od varné desky všechny látky, které se mohou roztavit, jako jsou například plastové předměty, cukr nebo výrobky na bázi cukru.

### ÚDRŽBA:

- Umístěte na povrch varné desky několik kapek speciálního čistícího prostředku.

- Nečistoty odstraňujte pomocí měkkého hadříku nebo mírně navlhčeného kuchyňského papíru.

- Utírejte měkkým hadříkem nebo suchým kuchyňským papírem dokud povrch nebude čistý.

### V případě, že se stále vyskytují odolné skvrny:

- Umístěte na povrch několik kapek speciálního čistícího kapaliny.

- Oškrábejte je škrabkou, kterou držte k varné desce pod úhlem 30° dokud skvrny nezmizí.

- Utírejte měkkým hadříkem nebo suchým kuchyňským papírem dokud povrch nebude čistý.

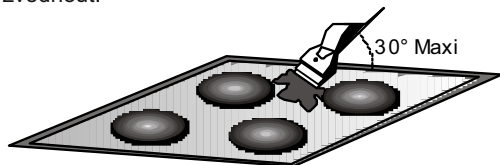
- V případě potřeby postup opakujte.

### NĚKOLIK POZNÁMEK:

Časté čištění zanechává ochrannou vrstvu, která je nezbytná k ochraně před poškrábáním a opotřebením. Před opětovným použitím varné desky se ujistěte, že je povrch čistý. Chcete-li odstranit skvrny způsobené vodou, použijte několik kapek bílého octa nebo citronové šťávy. Pak utřete absorpčním papírem a několika kapkami speciálního čistícího kapaliny.

Sklokeramický povrch je odolný vůči poškrábání od nádob s plochým dnem, nicméně je vždy vhodné je při přesunu z jedné zóny do druhé zvednout.

### POZN.:



Nepoužívejte příliš mokrou houbu.

Nikdy nepoužívejte nůž ani šroubovák.

Škrabka s žiletkou nepoškodí povrch, pokud se používá pod úhlem 30°.

Nikdy nenechávejte škrabku s žiletkou v dosahu dětí.

Nikdy nepoužívejte abrazivní přípravky ani prací prášky.

**Kovové okraje:** kovové okraje bezpečně vyčistíte, pokud je umyjete mýdlem a vodou, opláchnete a poté osušíte měkkým hadříkem.

**Případná změna barvy sklokeramického povrchu nemá vliv na jeho provoz ani na stabilitu povrchu. Takové zbarvení je většinou výsledkem zbytků spálených potravin nebo používání nádoby z materiálů, jako je hliník nebo měď. Tyto skvrny se těžko odstraňují.**

## 8. ŘEŠENÍ PROBLÉMU

### Varné zóny mají slabý výkon

Používejte pouze pánve s plochým dnem. Je-li mezi pánví a deskou vidět světlo, zóna nepřináší správné teplo. Dno pánve by mělo zcela pokrýt průměr zvolené zóny.

### Vaření je příliš pomalé

Používáte nevhodné nádoby. Používejte pouze nádoby s plochým dnem, které je těžké a má průměr přinejmenším stejný jako varná zóna.

### Malé škrábance nebo oděrky na povrchu skla varné desky

Špatně ji čistíte nebo používáte pánve s hrubou spodní částí. Mezi varnou deskou a spodní částí pánve se dostaly částice jako písek nebo sůl. Viz kapitola „ČIŠTĚNÍ“. Před použitím se ujistěte, že

spodní část pánve je čistá, a používejte pouze pánve s hladkým dnem. Škrábance lze správným čištěním omezit.

#### **Stopy po kovu**

Neposunujte hliníkové nádoby po varné desce. Viz doporučení pro čištění.

Používáte správné materiály, ale skvrny přetrvávají. Používejte žiletku a postupujte podle kapitoly „ČIŠTĚNÍ“.

#### **Tmavé skvrny**

Používejte žiletku a postupujte podle kapitoly „ČIŠTĚNÍ“.

#### **Světlé plošky na varné desce**

Stopy po hliníkovém nebo měděném nádobí, ale také zbytky minerálů, vody nebo potravin. Lze je odstranit pomocí krémového čisticího prostředku.

#### **Karamelizace nebo roztavený plast na varné desce.**

Viz kapitola „ČIŠTĚNÍ“.

#### **Varná deska nefunguje nebo některé zóny nefungují**

Zkracovací propojky nejsou správně umístěny na svorkovnici.

Ujistěte se, že je správné zapojení. Ovládací panel je uzamčen.

Odemkněte varnou desku.

#### **Varná deska nelze vypnout.**

Ovládací panel je uzamčen. Odemkněte varnou desku.

#### **Frekvence zapínání/vypínání varných zón**

Cykly zapínání a vypínání závisí na požadované úrovni tepla:

- nízká úroveň: krátká doba provozu,
- vysoká úroveň: dlouhá doba provozu.

#### **Varná deska nefunguje.**

Zkontrolujte stav pojistek/jističů. Zkontrolujte, zda nedošlo k výpadku proudu.

#### **Varná deska se sama vypne.**

Došlo k náhodnému doteku hlavního spínače (tlačítko zapnutí/vypnutí) nebo je na nějakém tlačítku nějaký předmět. Znovu spotřebič zapněte bez předmětu na tlačítkách. Znovu zadejte své nastavení.

#### **F a čísla na displeji**

Pokud se na displeji objeví F a čísla, spotřebič zjistil závadu. V následující tabulce jsou uvedeny kroky k odstranění problému.

## 9. NÁSLEDNÁ PÉČE

#### **Dříve, než zavoláte servisního technika, zkontrolujte následující:**

— zda je zástrčka správně vložena a opatřena pojistkou.

Pokud nelze zjistit vadu, vypněte zařízení — neupravujte ho — zavolejte servisní středisko následné péče. Zařízení je dodáváno s garančním certifikátem, který zajišťuje, že bude bezplatně opraveno v servisním středisku.

Displej plotýnky	Porucha	Krok
F0	Chyba softwaru dotykového ovládání.	Pokud došlo k chybě, varnou desku odpojte a znovu připojte k napájení. Pokud chyba přetrvává, zavolejte poprodejní servis. Pokud se chyba náhle objeví během běžného provozu, zavolejte poprodejní servis.
Fc	Zóna dotykového ovládání je příliš horká a vypnula všechny plotýnky.	Počkejte, dokud neklesne teplota; až teplota dosáhne normální hodnoty, obnoví se činnost horního panelu. Až hlášení zmizí, bude možné znovu používat varnou desku.
Ft	Může být poškozeno čidlo teploty dotykového ovládání.	Počkejte, až teplota poklesne. Pokud upozornění přetrvává, když teplota dosáhne teploty okolního prostředí, zavolejte poprodejní servis.
FE	Může být poškozeno čidlo teploty dotykového ovládání.	Počkejte, až teplota poklesne. Pokud upozornění přetrvává, když teplota dosáhne teploty okolního prostředí, zavolejte poprodejní servis.
Fb	Nadměrná citlivost na některém tlačítku.	Podívejte se, zda je varná deska správně nainstalovaná. Ujistěte se, že se tlačítka správně dotýkají skleněného povrchu.
FU / FJ	Chyba tlačítek	Tato chyba je automatickou kontrolou tlačítek. Zmizí, když se automatická kontrola navrátí na bezpečnou hodnotu. Pokud chyba přetrvává, zavolejte poprodejní servis.
FA	Chyba tlačítek	Tato chyba je automatickou kontrolou softwaru. Zmizí, když se automatická kontrola navrátí na bezpečnou hodnotu. Pokud chyba přetrvává, zavolejte poprodejní servis.
FC / Fd	Chyba tlačítek	Tato chyba je automatickou kontrolou softwaru. Zmizí, když se automatická kontrola navrátí na bezpečnou hodnotu. Pokud chyba přetrvává, zavolejte poprodejní servis.
Fr	Chyba bezpečnosti relé	Problém může být u kteréhokoli reléového článku. Odpojte varnou desku od napájení, chvíli počkejte a znovu ji připojte. Pokud chyba přetrvává, zavolejte poprodejní servis.

## SICHERHEITSHINWEISE

Wir empfehlen, diese Anleitung für die Montage sowie zum späteren Nachschlagen aufzubewahren. Notieren Sie sich vor der Montage des Kochfelds die Seriennummer für den Fall, dass Sie die Hilfe des Kundendienstes in Anspruch nehmen müssen.

**WARNUNG:** Während des Gebrauchs werden das Gerät und dessen zugänglichen Teile heiß. Es muss darauf geachtet werden, die Heizelemente nicht zu berühren. Kinder unter 8 Jahren müssen vom Gerät ferngehalten oder permanent beaufsichtigt werden.

**WARNUNG:** Verwenden Sie ausschließlich einen Kochfeldschutz, der vom Hersteller des Kochgeräts entwickelt wurde, vom Gerätehersteller in der Bedienungsanleitung als geeignet genannt wird oder Bestandteil des Kochfelds ist. Die Benutzung eines ungeeigneten Kochfeldschutzes kann zu Unfällen führen.

**WARNUNG:** Unbeaufsichtigtes Kochen auf einem Kochfeld mit Fett oder Öl kann gefährlich sein und zu einem Brand führen. Versuchen Sie NIEMALS, einen Brand mit Wasser zu löschen, sondern schalten Sie das Gerät aus und ersticken Sie die Flamme dann (z. B. mit einem Deckel oder einer Feuerlöschdecke).

**WARNUNG:** Brandgefahr: Legen Sie niemals Gegenstände auf den Kochflächen ab.

**WARNUNG:** Falls die Oberfläche zerbrochen ist, dürfen Sie das Glas keinesfalls anfassen. Schalten Sie das Gerät aus, um die Möglichkeit eines Stromschlags zu vermeiden.

Dieses Gerät darf von Kindern ab 8 Jahren und Personen mit eingeschränkten körperlichen, sensorischen oder geistigen Fähigkeiten oder ohne Erfahrung und Wissen benutzt werden, wenn sie beaufsichtigt werden oder Anweisungen für den sicheren Gebrauch des Geräts erhalten und die damit verbundenen Gefahren verstanden haben. Kinder sollten beaufsichtigt werden, um sicherzugehen, dass sie nicht am Gerät herumspielen. Kinder dürfen das Gerät nur unter Beaufsichtigung reinigen und instandhalten.

**ACHTUNG:** Der Kochvorgang muss beaufsichtigt werden. Ein kurzzeitiger Kochvorgang muss permanent überwacht werden.

Es wird dringend empfohlen, Kinder von den Kochzonen fernzuhalten, wenn diese in Betrieb sind oder nachdem sie ausgeschaltet wurden, solange die Restwärmeanzeige noch aktiv ist, um die Gefahr schwerer Verbrennungen zu vermeiden. Das Gerät ist nicht dafür vorgesehen, mit Hilfe einer externen Zeitschaltuhr oder einer separaten Fernsteuerung betrieben zu werden.

Vermeiden Sie es, in die Halogenlampenelemente des Kochfelds (sofern vorhanden) zu blicken.

Schließen Sie einen Stecker an das Stromkabel an, der für die auf dem Typenschild angegebenen Spannungs-, Strom- und Belastungswerte geeignet ist und einen Schutzkontakt hat. Die Steckdose muss für die auf dem Typenschild angegebene Last geeignet sein und über einen funktionsfähigen Schutzkontakt verfügen. Der Schutzleiter hat die Farbe Gelb-Grün. Diese Arbeit darf nur von qualifiziertem Personal durchgeführt werden. Falls Steckdose und

Gerätestecker nicht kompatibel sind, wenden Sie sich an einen qualifizierten Elektriker, um einen entsprechenden Austausch vorzunehmen. Stecker und Steckdose müssen den geltenden Vorschriften des jeweiligen Landes entsprechen.

Der Anschluss an die Spannungsversorgung kann auch erfolgen, indem ein allpoliger Trennschalter zwischen Gerät und Spannungsquelle installiert wird, der für die maximale angeschlossene Last geeignet ist und den geltenden Vorschriften entspricht.

Der gelb-grüne Schutzleiter darf nicht vom Trennschalter unterbrochen werden. Die für den Anschluss verwendete Steckdose bzw. der allpolige Trennschalter muss leicht erreichbar sein, wenn das Gerät installiert ist.

Die Trennung kann durch einen zugänglichen Stecker oder einen vorschriftsmäßig in die Festverdrahtung eingebundenen Schalter erfolgen.

Ein beschädigtes Netzkabel muss durch den Hersteller, seinen Wartungstechniker oder ähnlich qualifizierte Personen ausgetauscht werden, um mögliche Gefahren zu vermeiden.

Der Schutzleiter (gelb-grün) muss auf der Klemmleiste länger als 10 mm sein. Der interne Leiterabschnitt muss für die (auf dem Typenschild angegebene) vom Kochfeld absorbierte Leistung ausgelegt sein. Das Stromkabel muss vom Typ HO5V2V2-F sein.

Metallobjekte wie Messer, Gabeln, Löffel und Deckel dürfen nicht auf der Kochfläche abgelegt werden. Sie könnten heiß werden.

Auf den Kochzonen dürfen weder Aluminiumfolie noch Kunststoffschalen abgelegt werden.

Das Kochfeld muss nach jeder Benutzung gereinigt werden, damit sich kein Schmutz und Fett ablagert. Andernfalls werden solche Reste bei der nächsten Benutzung erhitzt und können verbrennen, was zu Rauchentwicklung und unangenehmen Gerüchen, schlimmstenfalls sogar zur Brandentwicklung führen kann.

Reinigen Sie das Gerät keinesfalls mit einem Dampf- oder Hochdruckspray.

Während des Betriebs sowie für eine gewisse Zeit danach dürfen die Kochzonen nicht berührt werden.

Lebensmittel dürfen keinesfalls direkt auf dem Glaskeramik-Kochfeld gegart werden.

Benutzen Sie stets geeignetes Kochgeschirr.

Stellen Sie das Kochgefäß immer in die Mitte des jeweiligen Kochfelds. Stellen Sie nichts auf das Bedienfeld.

Benutzen Sie das Kochfeld nicht als Arbeitsfläche.

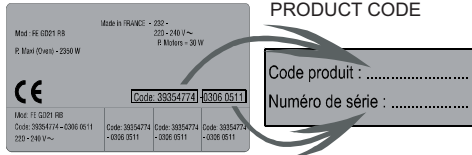
Benutzen Sie das Kochfeld nicht als Schneidunterlage.

Lagern Sie keine schweren Gegenstände über dem Kochfeld. Beim Herunterfallen könnten Sie das Kochfeld beschädigen.

Benutzen Sie das Kochfeld nicht als Ablagefläche.

Schieben Sie Kochtöpfe nicht über das Kochfeld.

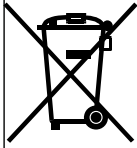
Typenschild (am Gehäuseunterteil des Kochfelds angebracht)



## 1. ALLGEMEINE WARNHINWEISE

Mit der Verwendung des **CE**-Kennzeichens auf diesem Produkt bestätigen wir, dass sämtliche relevanten Sicherheits-, Gesundheits- und Umweltvorschriften eingehalten werden, die für dieses Produkt in Europa gesetzlich festgelegt sind.

## 2. UMWELTSCHUTZ



Dieses Gerät ist entsprechend der EU-Richtlinie 2012/19/EC für Elektro- und Elektronik-Altgeräte (WEEE) gekennzeichnet.

Elektro- und Elektronik-Altgeräte enthalten sowohl umweltschädliche Stoffe (die negativen Folgen für die Umwelt verursachen) als auch wiederverwendbare Grundstoffe. Es ist wichtig, Elektro- und Elektronik-Altgeräte spezifischen Behandlungen zu unterziehen, um alle Schadstoffe zu entfernen und ordnungsgemäß zu entsorgen sowie alle Materialien zu recyceln.

Jeder kann dazu beitragen, dass Altelektrogeräte nicht zu einem Umweltproblem werden. Daher sollten unbedingt einige Grundregeln beachtet werden:

- Elektro- und Elektronik-Altgeräte dürfen nicht als Hausmüll entsorgt werden.
- Elektro- und Elektronik-Altgeräte müssen den entsprechenden Sammelstellen der Gemeinde oder davon registrierten Unternehmen übergeben. In vielen Ländern kann es für große Elektro- und Elektronik-Altgeräte spezielle Sammelstellen geben. In vielen Ländern können beim Kauf eines neuen Geräts Altgeräte an Händler, die einen kostenlosen 1-zu-1-Umtausch vornehmen müssen, zurückgegeben werden, solange das Gerät demselben Typ entspricht und über die gleichen Funktionen wie das bereitgestellte Gerät verfügt.

## 3- INSTALLATION

Die Montage eines Haushaltsgeräts kann ein komplexer Vorgang sein, der bei unsachgemäßer Ausführung ernsthafte Folgen für die Sicherheit von Gütern, Sachwerten oder Personen haben kann. Aus diesem Grund muss diese Arbeit von einer professionell geschulten Person und in Übereinstimmung mit den geltenden technischen Vorschriften durchgeführt werden.

Sollte dieser Hinweis ignoriert und die Montage durch eine unqualifizierte Person durchgeführt werden, lehnt der Hersteller jegliche Haftung für den technisch bedingten Ausfall des Produkts ab, unabhängig davon, ob dieser Ausfall Schäden an Gütern oder Sachwerten oder Verletzungen von Personen oder Tieren nach sich zieht.

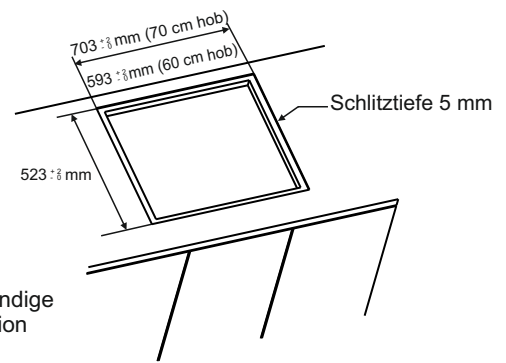
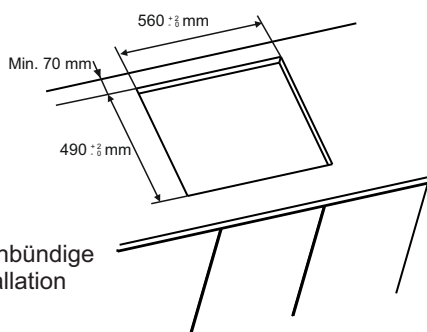
Vergewissern Sie sich nach dem Entfernen der Verpackung, dass das Gerät unbeschädigt ist. Andernfalls wenden Sie sich bitte an den Verkäufer oder den Kundendienst des Herstellers.

Achten Sie darauf, dass der Einrichtungsgegenstand, in das Kochfeld eingebaut wird, sowie sonstiges angrenzendes Mobiliar aus Materialien besteht, das hohen Temperaturen (min. 100 °C) widerstehen kann.

Darüber hinaus müssen alle dekorativen Laminats mit hitzebeständigem Kleber befestigt sein.

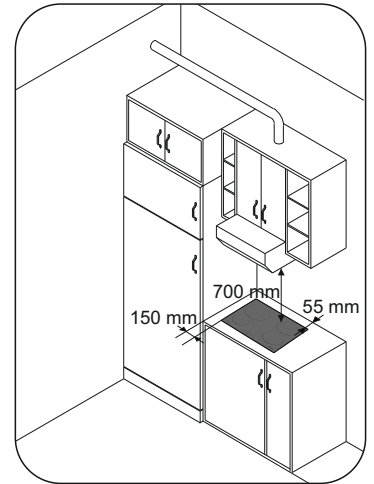
Das Gerät kann auf standardmäßige oder bündige Art eingebaut werden.

Die Arbeitsplatte sollte zwischen 25 mm und 45 mm dick sein.

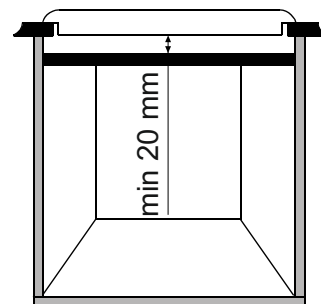


**Hinweis:** Der Innendurchmesser ist derselbe wie bei der Standardinstallation.

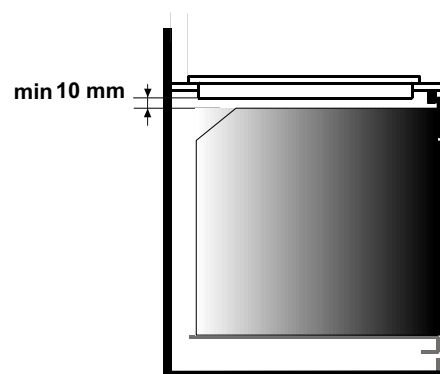
Lassen Sie mindestens 55 mm Abstand zwischen Kochfeld und Rückwand sowie mindestens 150 mm Abstand zwischen Kochfeld und vertikalen Möbeln oder Wänden an der Lateralseite. Über dem Kochfeld angebrachte Einrichtungsgegenstände müssen einen Abstand von mindestens 700 mm haben. Falls über dem Kochfeld eine Haube installiert werden soll, beachten Sie bitte die entsprechenden Installationsanforderungen. In jedem Fall darf der Abstand zwischen Kochfeld und Haube jedoch nicht geringer als 700 mm sein.



Falls die untere Fläche des Kochfelds an einen Bereich grenzt, der beim Hantieren oder Reinigen normalerweise zugänglich ist, ist unter dem Unterteil des Kochfelds eine Abtrennung von 20 mm vorzusehen.

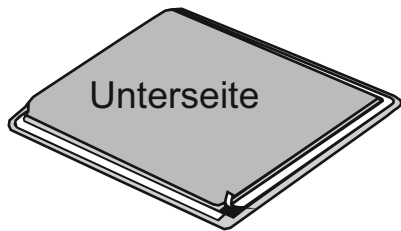


Falls unter dem Kochfeld ein Ofen installiert wird, darf die Abtrennung nicht angebracht werden, und der Mindestabstand zwischen dem unteren Teil des Kochfelds und dem Ofen darf nicht kleiner als 10 mm sein. Unter diesem Kochfeld darf kein ungekühlter Ofen installiert werden. Bei der Montage sind die Installationsanforderungen des Ofens zu berücksichtigen.



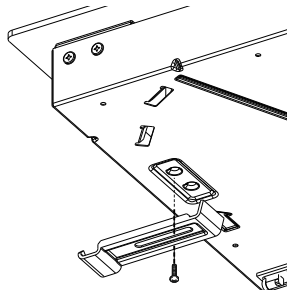


Zum Lieferumfang des Kochfelds gehört eine wasserundurchlässige Abdichtung. Bringen Sie die Abdichtung wie beschrieben um das Unterteil herum an und achten Sie darauf, dass sie korrekt sitzt, damit keine Flüssigkeiten in die tragenden Möbelstücke eindringen können.

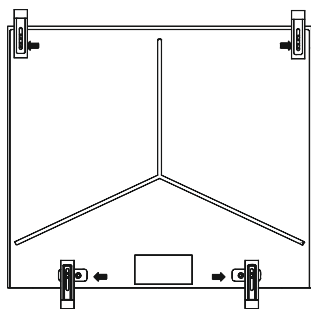


#### Normal Befestigung:

- Nehmen Sie die Befestigungsclips aus dem Zubehörbeutel und schrauben Sie sie an der am Unterkasten markierten Position fest. (Ziehen Sie die Schrauben nur so fest an, dass sich die Clips noch frei bewegen können.)

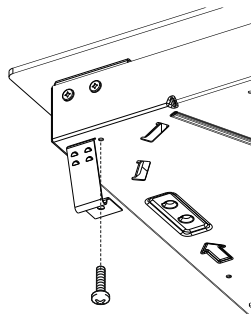


- Setzen Sie das Kochfeld in die Mitte der Aussparung ein.  
- Drehen Sie die Clips und ziehen Sie sie vollständig fest.

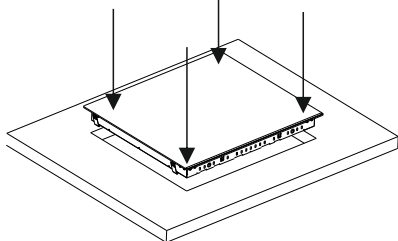


#### Schnellbefestigung: (Je nach Modell)

Nehmen Sie vier Federn aus dem Zubehörbeutel und schrauben Sie sie wie in der Abbildung gezeigt am Unterkasten fest.

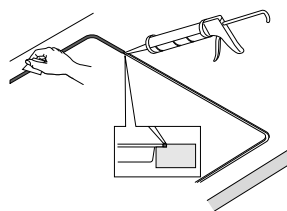


Zentrieren Sie das Kochfeld und setzen Sie es ein. Drücken Sie auf die Seiten des Kochfelds, bis es am gesamten Umfang aufliegt.

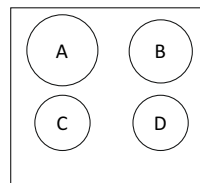


#### FLÄCHENBÜNDIGE INSTALLATION

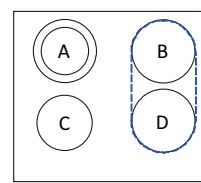
Nachdem Sie überprüft haben, dass das Kochfeld korrekt positioniert ist, füllen Sie den Spalt zwischen Arbeitsplatte und Kochfeld mit Silikonkleber. Glätten Sie die Silikonschicht mit einem Schaber oder einem Finger und etwas Seifenlauge, bevor es aushärtet. Benutzen Sie das Kochfeld erst, wenn die Silikonschicht ausgehärtet ist.



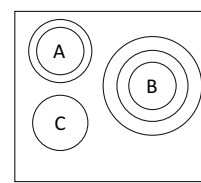
## 4. ELEKTRISCHER ANSCHLUSS



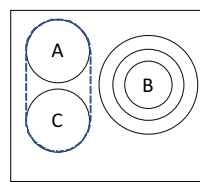
ANORDNUNG 1



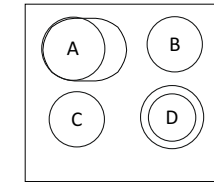
ANORDNUNG 2



ANORDNUNG 3

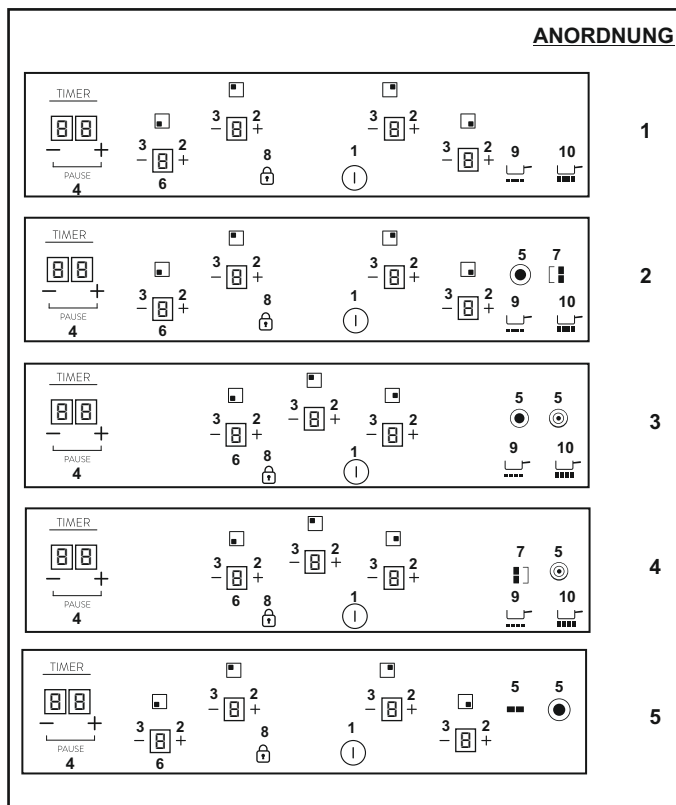


ANORDNUNG 4



ANORDNUNG 5

	A	B	C	D
<b>ANORDNUNG 1</b>	2300W	1800 W	1200 W	1200 W
<b>ANORDNUNG 2</b>	1000+700 W	1800 W	1200 W	1800 W
<b>ANORDNUNG 3</b>	1000+700 W	1050+900+750 W	1200 W	-
<b>ANORDNUNG 4</b>	1800W	1050+900+750 W	1800 W	-
<b>ANORDNUNG 5</b>	1500+900 W	1200 W	1200 W	1000+700 W



Je nach Modell

1. EIN/AUS
2. „+“
3. „-“
4. TIMER
5. Zusätzliche Kochzonen-LED
6. Kochzonen-Programmieranzeige
7. Brücke
8. Kindersicherung
9. Schmelzen
10. Kochen

Die Montage muss den geltenden Richtlinien entsprechen.“ Der Hersteller lehnt jede Verantwortung für Schäden ab, die sich auf eine ungeeignete oder unsachgemäße Benutzung zurückführen lassen.

**WARNUNG:** Der Hersteller haftet nicht für Vorkommnisse oder deren Folgen, die möglicherweise bei der Benutzung eines Geräts auftreten, das nicht an Masse angeschlossen ist oder eine fehlerhafte Masseverbindung aufweist.

Überprüfen Sie vor dem elektrischen Betrieb stets die auf dem Stromzähler angegebene Versorgungsspannung, die Einstellung des Trennschalters, die Durchgängigkeit der Masseverbindung zum Gerät und die Eignung der Sicherung.

Der elektrische Anschluss der Installation muss in Übereinstimmung mit der Nennleistung des Geräts erfolgen. Dies sollte über einen allpoligen Trennschalter erfolgen.

Falls das Gerät eine Steckdose hat, muss diese so installiert sein, dass sie jederzeit zugänglich ist.

Der gelb-grüne Leiter des Netzkabels muss mit Masse sowohl an der Netzstromversorgung als auch an den Geräteanschlüssen verbunden werden.

Bei Fragen zum Netzkabel wenden Sie bitte an den Kundendienst oder einen qualifizierten Techniker.

Das Kochfeld hat ein Netzkabel, mit dem es nur an eine Spannungsversorgung mit 220-240 V zwischen den Phasen oder zwischen Phase und Nullleiter angeschlossen werden kann..

Das Kochfeld kann auch wie folgt angeschlossen werden:

3 Phasen 220-240 V3

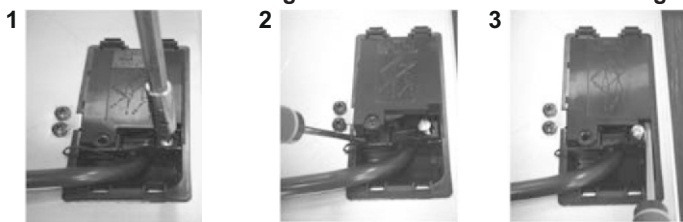
3 Phasen 380-415 V2N

Für den neuen Anschluss sind folgende Anweisungen zu beachten:

Achten Sie vor dem Herstellen des Anschlusses darauf, dass das Gerät durch eine geeignete Sicherung geschützt ist und die Anschlussleitungen für eine normale Versorgung des Geräts ausgelegt sind.

Legen Sie das Kochfeld mit der Glasseite auf die Arbeitsfläche. Achten Sie darauf, dass das Glas geschützt ist.

Öffnen Sie die Abdeckung in der nachstehenden Reihenfolge:



- Schrauben Sie die Kabelklemme „1“ los.
- Innen befinden sich zwei seitliche Laschen.
- Setzen Sie einen Schlitzschraubendreher vorn an jeder Lasche an („2“ und „3“) und drücken Sie.
- Entfernen Sie die Abdeckung.

**Netzkabel entfernen:**

- Lösen Sie die Schrauben des Klemmenblocks mit den Abzweigspangen und den Leitern des Netzkabels.
- Ziehen Sie das Netzkabel heraus.

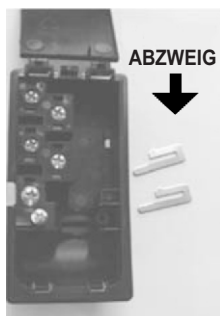
**Einen neuen Anschluss herstellen:**

- Nehmen Sie ein Netzkabel, das den Angaben in der Tabelle entspricht.
- Führen Sie das Netzkabel in die Klemme ein.
- Entfernen Sie 10 mm der Isolierung an jedem Leiterende des Netzkabels; berücksichtigen Sie dabei die erforderliche Länge des Kabels für den Anschluss am Klemmenblock.
- Schließen Sie die Leiter entsprechend der jeweiligen Installation und mit Hilfe der zuvor beiseitegelegten Abzweigspangen wie in der Tabelle gezeigt an.
- Bringen Sie die Abdeckung wieder an.
- Schrauben Sie die Kabelklemme wieder fest.

**Hinweis: Achten Sie darauf, dass die Schrauben der Klemmleiste fest angezogen sind.**

**Einen neuen Anschluss herstellen:**

- Nehmen Sie ein Netzkabel, das den Angaben in der Tabelle entspricht.
- Führen Sie das Netzkabel in die Klemme ein.
- Entfernen Sie 10 mm der Isolierung an jedem Leiterende des Netzkabels; berücksichtigen Sie dabei die erforderliche Länge des Kabels für den Anschluss am Klemmenblock.
- Schließen Sie die Leiter entsprechend der jeweiligen Installation und mit Hilfe der zuvor beiseitegelegten Abzweigspangen wie in der Tabelle gezeigt an.
- Bringen Sie die Abdeckung wieder an.
- Schrauben Sie die Kabelklemme wieder fest.



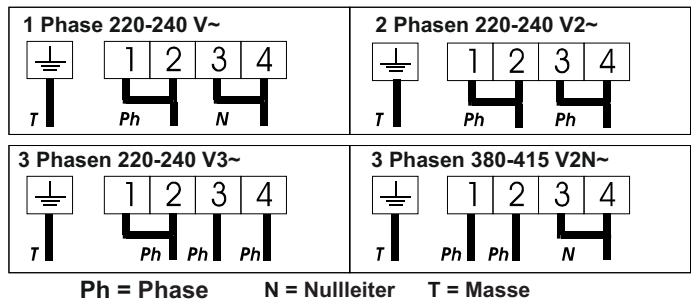
**ACHTUNG:**

Falls das Netzkabel ausgetauscht werden muss, schließen Sie die Leiter entsprechend folgendem Farbcode an:

BLAU	Nullleiter	(N)
BRAUN	Spannungsführend	(L)
GELB GRÜN	Masse	(⊕)

**Anschluss an den Klemmen des Klemmenblocks**

	ANORDNUNG "1-3"	ANORDNUNG "2-4"
EINPHASIG oder ZWEIPHASIG 220-240 V~		
Kabel HO5V2V2F	3x2,5 mm <sup>2</sup>	3x4 mm <sup>2</sup>
DREIPHASIG 220-240 V3~		
Kabel HO5V2V2F	4x1,5 mm <sup>2</sup>	4x1,5 mm <sup>2</sup>
DREIPHASIG 380-415 V2N~		
Kabel HO5V2V2F	4x1,5 mm <sup>2</sup>	4x1,5 mm <sup>2</sup>



**5. TIPPS ZUM KOCHGESCHIRR**

Voraussetzung für eine optimale Nutzung Ihres Kochfelds ist die Verwendung hochwertigen Kochgeschirrs.



- **Benutzen Sie stets qualitativ gutes Kochgeschirr mit einem absolut planen und dicken Boden:** Diese Art von Kochgeschirr hat keine so genannten „Hot Spots“, die ein Anhaften des Garguts verursachen. Metalltöpfe und -pfannen mit einem dicken Boden sorgen für eine gleichmäßige Hitzeverteilung.
- **Achten Sie darauf, dass der Boden des Topfs oder der Pfanne trocken ist:** wenn Sie Kochgeschirr mit Flüssigkeit füllen oder Kochgeschirr benutzen, das im Kühlschrank stand, müssen Sie darauf achten, dass der Boden des Kochgeschirrs vollständig trocken ist, bevor Sie es auf das Kochfeld stellen. So vermeiden Sie eine Verschmutzung des Kochfelds.
- **Benutzen Sie Kochgeschirr, dessen Durchmesser der jeweiligen Kochzone entspricht:** das Kochgeschirr sollte nicht kleiner als der Heizbereich sein. Bei einem größeren Durchmesser wird mehr Energie aufgewendet, um den maximalen Wirkungsgrad zu erreichen.
- WAHL DES KOCHGESCHIRRS** – Die folgenden Hinweise sollen Ihnen bei der Wahl des geeigneten Kochgeschirrs helfen.
  - Edelstahl:** *sehr empfehlenswert.* Insbesondere mit einem Sandwich-Boden. Der Sandwich-Boden vereint die Vorteile von Edelstahl (Erscheinungsbild, Haltbarkeit und Stabilität) mit denen von Aluminium oder Kupfer (Wärmeleitung, gleichmäßige Wärmeverteilung).
  - Aluminium:** *hohes Gewicht empfehlenswert.* Gute Leitfähigkeit. Mitunter sind Aluminiumrückstände als Kratzer auf dem Kochfeld zu sehen, die sich jedoch bei umgehender Reinigung entfernen lassen. Wegen seines niedrigen Schmelzpunkts sollte kein dünnes Aluminium-Kochgeschirr verwendet werden.
  - Gusseisen:** *benutzbar, aber nicht empfohlen.* Schlechtes Leistungsverhalten. Kann die Oberfläche zerkratzen.
  - Kupferboden / Steinzeug:** *hohes Gewicht empfehlenswert.* Gutes Leistungsverhalten, wobei Kupfer Rückstände hinterlassen kann, die als Kratzer erscheinen. Diese Rückstände lassen sich entfernen, wenn das Kochfeld umgehend gereinigt wird. Allerdings darf bei diesen Töpfen die Flüssigkeit niemals vollständig verdampfen. Überhitztes Metall kann am Glaskeramik-Kochfeld haften bleiben. Ein überhitzter Kupfertopf hinterlässt dauerhafte Rückstände auf dem Kochfeld.

**Porzellan/Emaille:** Gutes Leistungsverhalten nur bei glattem, flachem Boden.

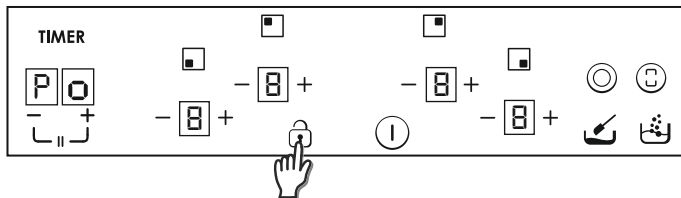
**Glaskeramik:** *nicht empfehlenswert.* Schlechtes Leistungsverhalten. Kann die Oberfläche zerkratzen.

## 6. BENUTZUNG

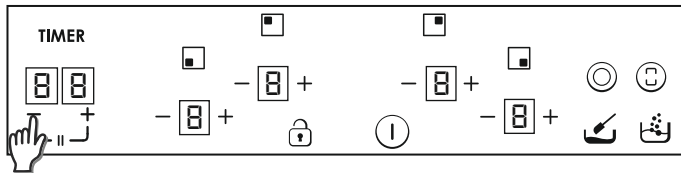
### Wahl der Leistungsverwaltungsstufe

Über die Funktion „Leistungsregulierung“ kann der Benutzer die vom Kochfeld erreichbare Maximalleistung einstellen. Die Funktion der Leistungsregulierung ist nur während der ersten 30 Sekunden nach Anschalten des Kochfelds verfügbar. Durch Ab- und Zuschalten der Stromversorgung kann diese Funktion wiederholt verwendet werden. Wurde eine Maximalleistung eingestellt, passt das Kochfeld die Energieverteilung für die einzelnen Kochzonen automatisch an, sodass der eingestellte Grenzwert niemals überschritten wird. Dank dieser Funktion werden alle Zonen gleichzeitig gesteuert, ohne dass es zu Überlastproblemen kommen kann. Der Benutzer kann die Maximalleistung des Kochfelds zwischen 2,5 kW und der je nach Modell verfügbaren Maximalleistung des Kochfelds einstellen (Wenn beispielsweise die maximale Leistung des Kochfeldes 7 kW beträgt, liegt die maximale Leistungsstufe zur Einstellung zwischen 2,5 kW und 7 kW.). Verkauft wird das Produkt mit einem auf Maximalleistung eingestellten Kochfeld. Nach Zuschalten der Stromversorgung kann die Leistungsstufe gemäß den nachfolgend dargestellten Punkten innerhalb von 30 Sekunden eingestellt werden:

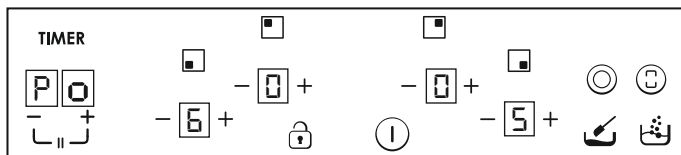
- 1.- Das Kochfeld einschalten.
- 2.- Warten, bis das Touch-Bedienfeld seinen Initialisierungsprozess abgeschlossen hat.
- 3.- Freigabe des Bedienfelds.



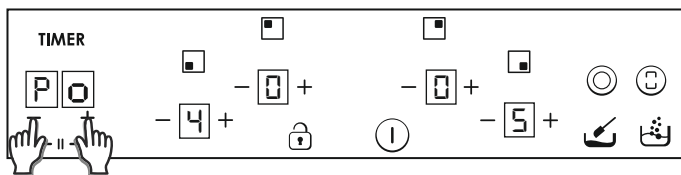
- 4.- Vor Ablauf von 30 Sekunden nach dem Einschalten des Kochfeldes; 5 Sekunden lang die Taste "-" des Timers berühren.



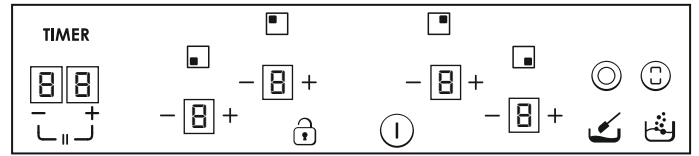
- 5.- Anschließend erscheint die Meldung "Po" auf dem Display der Timeranzeige. Leistungsstufe geteilt durch 100 in der Anzeige des Kochfelds.



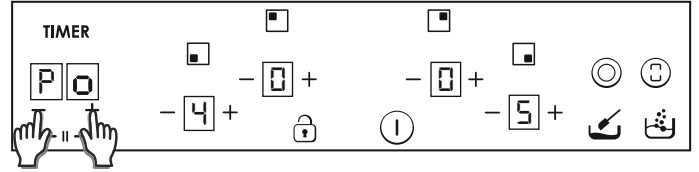
- 6.- Mithilfe der Timer-Tasten "+" und "-" last sich die Leistungsstufe anpassen, wenn der gewünschte Wert ausgewählt ist, berühren Sie gleichzeitig die Tasten "+" und "-" für 5 Sekunden.



- 7.- Sobald der Vorgang abgeschlossen ist, ertönt ein langer Piepton und eine Zurücksetzung erfolgt. Der Start-Vorgang wird erneut ausgeführt.



- 8.- Nach dem Startvorgang wird im Timer-Display das Powermanagement angezeigt.

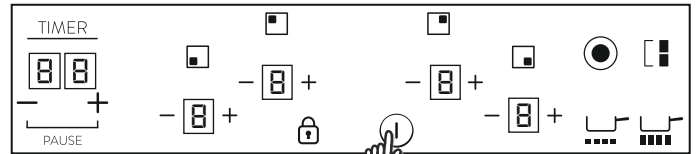


**Danach erlaubt das Touch-Bedienfeld keinerlei Kombination mehr, die diesen Grenzwert überschreitet.**

### Hinweise:

- a) Dieses Leistungsmanagement steht nur während der ersten 30 Sekunden nach dem Einschalten des Kochfeldes zur Verfügung.
- b) Ist diese Leistungsmanagement-Option EIN geschaltet, und wenn mehr als 90 Sekunden nach dem Einschalten des Kochfeldes vergangen sind, wird dieser Vorgang beendet, ohne dass ein neuer Leistungswert aufgezeichnet wird.
- c) Wenn diese Auswahl des Power Managements EIN geschaltet wurde, und eine beliebige Taste mit Ausnahme der Tastenkombination aus Timer "+" und "-" berührt wird, wird der Prozess beendet, **ohne dass ein neuer Leistungswert aufgezeichnet wird**, und die Berührungssteuerung nimmt ihren normalen Betrieb wieder auf, ohne dass ein Zurücksetzen erfolgt.
- d) Wenn die Auswahl des Power Managements auf EIN steht und die Tastenkombination aus Timer "+" und "-" berührt, wird der Prozess **mit einem neuen Leistungswert abgeschlossen**, zurückgesetzt und die Berührungssteuerung nimmt ihren normalen Betrieb wieder auf.

### Kochzonen ein-/ausschalten



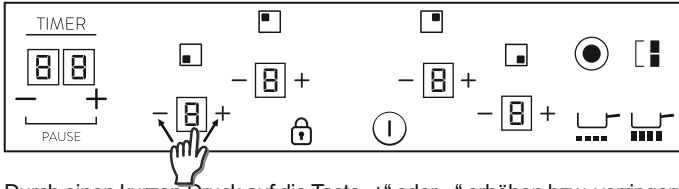
Zum Einschalten einer Kochzone berühren Sie das entsprechende Bedienfeld für 400 msec. Es erfolgt ein langer Piepton, und in der Kochzonenanzeige erscheint der Wert „0“ als Hinweis auf die Leistungsstufe.

- 1) Falls eine Kochzone in der Position „0“ verbleibt, schaltet sich diese Anzeige nach 10 Sekunden automatisch AUS und die Zone-AUS-Tonfolge ertönt.
- 2) Falls bei ausgeschalteter Kochzone (Leistungsstufe „0“) noch Restwärme vorhanden ist, wird wechselnd „0“ will angezeigt.
- 3) Bei aktivierter Sperrfunktion kann eine Kochzone nicht eingeschaltet werden.

Zum AUSSCHALTEN einer Kochzone berühren Sie das entsprechende Bedienfeld für 1,2 Sekunden. Daraufhin sind drei kurze Pieptöne zu hören, und auf der zugehörigen Anzeige erscheint entweder kein Wert oder „H“, falls noch Restwärme vorhanden ist. Die Kochzone ist damit ausgeschaltet.

- 1) Falls eine Kochzone in der Position „0“ verbleibt, schaltet sich diese Anzeige nach 10 Sekunden automatisch AUS und die Zone-AUS-Tonfolge ertönt.
- 2) Falls bei ausgeschalteter Kochzone noch Restwärme vorhanden ist, wird „H“ will angezeigt.
- 3) Auch bei aktivierter Sperrfunktion kann eine Kochzone ausgeschaltet werden.
- 4) Falls nur eine Kochzone aktiv ist und diese ausgeschaltet wird, sind vier kurze Pieptöne als Hinweis darauf zu hören, dass das gesamte Kochfeld ausgeschaltet ist.

## Leistungsstufe erhöhen/verringern



Durch einen kurzen Druck auf die Taste „+“ oder „-“ erhöhen bzw. verringern Sie die Leistungsstufe der gewählten Kochzone schrittweise: 0-1-2-3...9-P

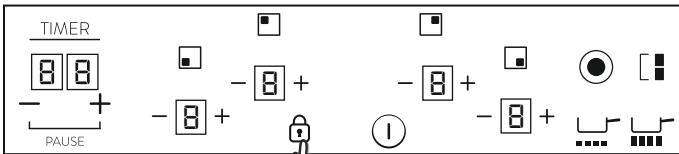
1. Durch langes Drücken auf „+“ oder „-“ wird die Leistungsstufe kontinuierlich erhöht/verringert. Bei rascher Erhöhung stoppt die Leistungsstufe bei „9“; für mehr Leistung ist ein weiterer Druck auf die Taste „+“ erforderlich. Bei einer raschen Erhöhung/Verringerung ist kein Piepton zu hören.

2. Wenn die Leistungsstufe „P“ erreicht ist, erfolgt durch erneutes Betätigen der Taste „+“ kein Wechsel zur Leistungsstufe „0“. Desgleichen erfolgt bei Erreichen der Leistungsstufe „0“ durch erneutes Betätigen der Taste „-“ kein Wechsel zur Leistungsstufe „P“.

3. Wenn eine eingeschaltete Kochzone auf Leistungsstufe „0“ gestellt wird und noch heiß ist, blinkt die Anzeige „0“ abwechselnd. Nach 10 Sekunden verschwindet die Anzeige „0“ und es erscheint der Buchstabe „H“.

4. Wenn eine Kochzone ausgewählt ist und die Tasten „+“ und „-“ gleichzeitig betätigt werden, wechselt die Leistungsstufe auf „0“, wobei die Kochzone jedoch für weitere 10 Sekunden ausgewählt bleibt. Falls die Kochzone zeitgeschaltet war, geht der Timer aus. Je nach Konfiguration der Berührungssteuerung ist dieser Vorgang nur in bestimmten Fällen möglich. Die folgenden Beispiele dienen lediglich zur Information. Nutzen Sie dann Ihre persönliche Erfahrung, um diese Einstellungen an Ihre Kochgewohnheiten und -vorlieben anzupassen.

## Kindersicherung

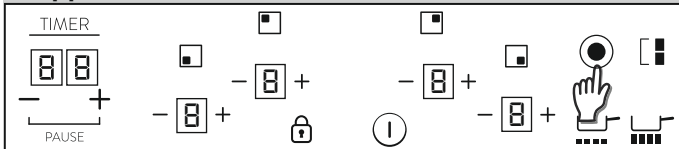


Diese Funktion wird aktiviert, wenn man die Sperrtaste drückt. Wird daraufhin eine beliebige Taste gedrückt, zeigt die Anzeige zwei Sekunden lang den Buchstaben „L“, wobei die jeweilige Leistungsstufe bestehen bleibt.

Um die Kindersicherung wieder auszuschalten, führen Sie denselben Vorgang erneut aus. Daraufhin ist ein kurzer Piepton zu hören, und die Anzeige zeigt den Buchstaben „n“. Das Kochfeld bleibt entsperrt.

Hinweis: 15 Minuten, nachdem das Kochfeld komplett ausgeschaltet wurde, wird eine automatische Kindersicherung aktiviert.

## Doppel-/Dreifachzonen



Um den Erweiterungsring einzuschalten, muss die zugehörige Hauptzone bereits eingeschaltet sein und eine höhere Leistungsstufe als „0“ angezeigt werden.

### 8.1 - Doppelzone einschalten

1. Ein kurzer Druck auf die Erweiterungstaste schaltet die zusätzliche Kochzone ein. Die LED über der Erweiterungstaste leuchtet, wenn der Erweiterungsring eingeschaltet ist.

2. Ein kurzer Druck auf die Erweiterungsringtaste schaltet die zusätzliche Kochzone wieder aus.

Bei jeder Betätigung auf die Erweiterungstaste ist ein Piepton zu hören.

### 8.2 - Dreifachzone einschalten

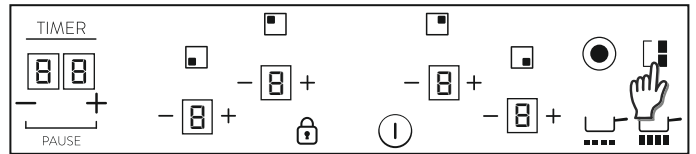
1. Ein kurzer Druck auf die Erweiterungstaste schaltet die erste zusätzliche Kochzone ein. Wenn der erste Erweiterungsring eingeschaltet ist, leuchtet 1 LED über der Erweiterungstaste (bei einer Dreifachzone die linke LED; bei einer Doppelzone nur die mittlere LED).

2. Ein kurzer Druck auf die Erweiterungsringtaste schaltet die zweite zusätzliche Kochzone ein. Wenn der erste und der zweite Erweiterungsring eingeschaltet sind, leuchten 2 LEDs über der Erweiterungstaste.

3. Ein kurzer Druck auf die Erweiterungsringtaste schaltet den ersten und den zweiten Erweiterungsring wieder aus.

Bei jeder Betätigung auf die Erweiterungstaste ist ein Piepton zu hören.

## Brückenfunktion



Die Brücke kann nur aktiviert werden, wenn beide Kochzonen ausgeschaltet sind. Nachdem eine Kochzone der Brücke ausgewählt wurde, kann durch Betätigen der Brückentaste die Brückenfunktion aktiviert werden.

Wenn die Kochzone aktiviert ist, ertönt ein Piepton, und die Kochzonen-LED wird eingeschaltet.

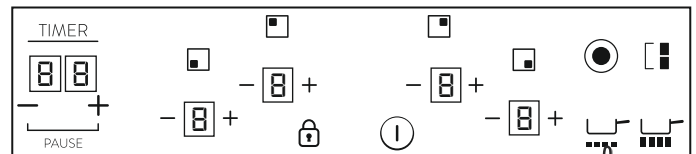
Beide Brückenkochzonen werden gleichzeitig ausgewählt.

Nach Auswahl der Kochzonen kann mit der Taste „+“ bzw. „-“ die gewünschte Leistungsstufe eingestellt werden.

Für beide Brückenkochzonen wird dieselbe Leistungsstufe angezeigt. Die Funktion wird beendet:

- wenn die Brückentaste im Einstellmodus betätigt wird
- wenn die Leistungsstufe „0“ gewählt wird

## Schmelzfunktion



So aktivieren Sie nach Auswahl der Kochzone die Schmelzfunktion:

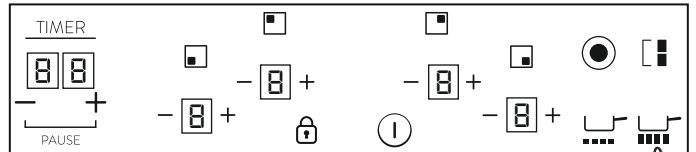
- Betätigen Sie die Schmelztaste.

Es ertönt ein Piepton, und die Kochzone zeigt „U“. Die Kochzone arbeitet mit Leistungsstufe „2“.

Die Kochzone ist ausgewählt. Die Schmelzfunktion wird beendet:

- wenn Sie ausgeschaltet wird
- wenn eine andere Leistungsstufe gewählt wird.

## Kochfunktion



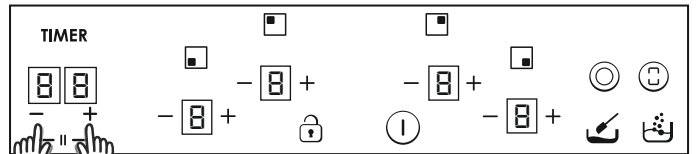
So aktivieren Sie nach Auswahl der Kochzone die Kochfunktion:

- Betätigen Sie die Kochtaste.

Es ertönt ein Piepton, und die Kochfeldanzeige zeigt „P“.

Die Kochzone arbeitet nun 10 Minuten lang auf der maximalen Leistungsstufe. Nach Ablauf dieser 10 Minuten ertönt ein Piepton, und die Kochzone geht zurück auf Leistungsstufe „9“

## Pausenfunktion



Mit Hilfe der Pausenfunktion lässt sich der Kochvorgang vorübergehend anhalten, so dass der Benutzer zur Tür gehen oder einen Anruf annehmen kann, ohne fürchten zu müssen, dass das Wasser überkocht. Diese Funktion ist auch nützlich, um die Oberfläche zu reinigen, ohne die Kocheinstellungen zu verändern.

Die Pausenfunktion wird durch das Symbol II angezeigt. Um diese Funktion auszuwählen, berührt der Benutzer gleichzeitig die Tasten „+“ und „-“ unterhalb des Timers.

Hinweis: Es ist nicht möglich, die Pausenfunktion nur auf eine Zone anzuwenden. Wenn Sie die Pausenfunktion aktivieren, betrifft dies das gesamte Kochfeld.

Wie funktioniert die Pausenfunktion?

Um die Pausenfunktion zu aktivieren, drücken Sie die Tasten „+“ und „-“ unter dem Timer gleichzeitig für eine halbe Sekunde.

- Daraufhin wird die Pausenfunktion aktiviert und das Kochfeld



ausgeschaltet.

- Die derzeitigen Kocheinstellungen werden gespeichert und alle eingeschalteten Kochfelder auf Null gestellt.
- Die automatische Abschaltzeit wird angehalten.
- Alle laufenden Countdowns werden gestoppt.
- Alle Tasten werden gesperrt, ausgenommen die Pausenfunktion (Tastenkombination „+“ und „-“ unter dem Timer) und der EIN/AUS-Schalter.

- Die Timer-Anzeige ist leer, und auf den Kochfeldanzeigen ist „0“ zu sehen; sie werden gegen den Uhrzeigersinn nacheinander eingeschaltet und anschließend in umgekehrter Richtung ausgeschaltet.

Hinweis: Es gibt keine LED-Anzeige dafür, dass die Pausenfunktion aktiviert ist. Wenn die Tastenkombination „+“ und „-“ ein zweites Mal betätigt wird, endet die Pausenfunktion.


Deaktivieren der Pausenfunktion:

Um die Pausenfunktion zu beenden, berühren Sie die Tasten „+“ und „-“ des Timers erneut gleichzeitig für eine halbe Sekunde. Die Pausenfunktion wird deaktiviert und das Kochfeld wieder eingeschaltet (Sie hören einen Piepton). Die vorherigen Kocheinstellungen werden wiederhergestellt.

Hinweis: Wenn das Kochfeld länger als 10 Minuten gestoppt wird, schaltet es sich automatisch ab.

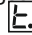
## Überhitzungsschutz

Etwas (ein Gegenstand oder Flüssigkeit) „betätigt“ eine Taste länger als fünf Sekunden. Alle 30 Sekunden sind zwei kurze Pieptöne und ein langer Piepton zu hören. Das Kochfeld wird ausgeschaltet.

 Solange die Situation anhält, blinkt dieses Symbol.

## Timer

Um den Timer einzuschalten, muss eine Kochzone ausgewählt und die Leistungsstufe größer als „0“ sein.

Wählen Sie die gewünschte Kochzone. Die Leistungsstufe muss größer als „0“ sein. Für die gewählte Kochzone wird  angezeigt. Die Felder „0“ sind für den Timer reserviert.

1) Mit der Taste „+“ oder „-“ stellen Sie die gewünschte Zeit ein. Bei Einstellungsänderungen ist kein Piepton zu hören.

2) Durch gleichzeitiges Betätigen der Tasten wird der Timer storniert (geht zu „00“).

3) Zur Schnelleinstellung des Timers wird die Taste „+“ oder „-“ gedrückt gehalten.

4) Beim Einstellen des Timers können Sie mit der Taste „-“ von „00“ zu „99“ und mit der Taste „+“ von „99“ zu „00“ wechseln.

5) Die maximale Timereinstellung beträgt 99 Minuten.

6) Wenn die Zeit abgelaufen ist und das Kochfeld piept, drücken Sie eine beliebige Taste, um den Alarm und die Timerfunktion zu deaktivieren.

7) Es ist möglich, eine bereits vorgenommene Timereinstellung später noch zu ändern.

8) Die Leistungsstufe der gewählten Kochzone kann verändert werden, ohne dass sich dies auf die Timerprogrammierung auswirkt.

9) Die letzte Minute wird in Sekunden angezeigt (Varianten sind nur zu sehen, wenn die Timerprogrammierung während der letzten Minute des Countdown aufgerufen wird).

10) Wird die Timertaste gedrückt, wenn keine Kochzone ausgewählt wurde und keine Kochzone programmiert ist, geschieht nichts.

11) Wird die Timertaste gedrückt, wenn keine Kochzone ausgewählt ist und mehrere Kochzonen programmiert sind, ändert sich die Zeitanzeige der Reihe nach und es wird die Zeit angezeigt, bei deren Leistungsstufe der Dezimalpunkt eingeschaltet ist.

12) Alternativ wird die Leistungsstufe (5 s) und (0,5 s) in der programmierten Kochzone angezeigt.

Die verbleibende Zeit wird in den für den Timer reservierten Feldern angezeigt. Wenn mehrere Kochzonen programmiert sind, wird die kürzeste verbleibende Zeit angezeigt, wobei der Dezimalpunkt in der entsprechenden Kochzone angezeigt wird.

## Restwärmanzeige

Dieselben Anzeigen können auch als Restwärmanzeige benutzt werden. Diesbezüglich muss eine Zeittabelle definiert werden: Restwärmedauer=f(Leistungsstufe, Betriebsdauer).

Wenn die Temperatur auf der Glasoberfläche höher als 65°C (theoretischer Wert) ist, wird dieser Zustand im zugehörigen Display durch ein „H“ angezeigt.

Damit die Temperatur mehr als 65°C erreicht, muss ein Heizelement eine gewisse Zeit lang in Betrieb gewesen sein. Dies ist von der

Leistungsstufe abhängig. Nachdem diese Zeit abgelaufen ist, wird die Restwärmanzeige angezeigt, wenn das Heizelement ausgeschaltet wird.

## Automatische Sicherheitsabschaltung

Wenn sich die Leistungsstufe für eine vorgegebene Dauer nicht ändert, wird die entsprechende Kochzone automatisch abgeschaltet. Die maximale Dauer, für die eine Kochzone eingeschaltet sein kann, hängt von der gewählten Leistungsstufe ab.

Livello di potenza	Tempo massimo di attivazione (ore)
1	10
2	5
3	5
4	4
5	3
6	2
7	2
8	2
9	2

**HINWEIS:** Sollte es während des Betriebs mit der höchsten Leistungsstufe zu einer Überhitzungssituation kommen, wird die Leistungsstufe von der Kochfeldsteuerung automatisch angepasst, um das Kochfeld vor einer Überhitzung zu schützen.

## 7. REINIGUNG UND WARTUNG

. Lassen Sie das Kochfeld abkühlen, bevor Sie irgendwelche Maßnahmen treffen.

. Verwenden Sie ausschließlich Produkte (Reinigungsmittel und Schaber), die speziell für Glaskeramikflächen vorgesehen sind. Solche Produkte finden Sie im Fachhandel.

. Vermeiden Sie Verschüttungen, weil alles, was auf die Oberfläche des Kochfelds gerät, rasch einbrennt und das Reinigen erschwert.

. Daher sollten alle Materialien vom Kochfeld ferngehalten werden, die schmelzen könnten, wie beispielsweise Kunststoffe, Zucker oder zuckerbasierte Produkte.

### INSTANDHALTUNG:

- Geben Sie einige Tropfen einer speziellen Reinigungsflüssigkeit auf die Kochfeldoberfläche.

- Entfernen Sie Rückstände mit einem weichen Tuch oder angefeuchtetem Küchenpapier.

- Wischen Sie mit einem trockenen Tuch oder Küchenpapier nach, bis die Oberfläche sauber ist.

### Falls immer noch Rückstände vorhanden sind:

- Geben Sie etwas von der speziellen Reinigungsflüssigkeit auf die Kochfeldoberfläche.

- Fahren Sie mit einem Kochfeldschaber im Winkel von 30° über das Kochfeld, bis die Rückstände verschwunden sind.

- Wischen Sie mit einem trockenen Tuch oder Küchenpapier nach, bis die Oberfläche sauber ist.

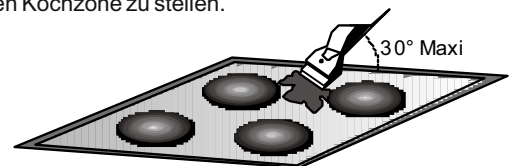
- Wiederholen Sie den Vorgang bei Bedarf.

### EINIGE TIPPS:

Häufiges Reinigen hinterlässt eine Schutzschicht, die wesentlich ist, um Kratzer und Verschleißspuren zu verhindern. Achten Sie darauf, dass die Oberfläche sauber ist, bevor Sie das Kochfeld wieder benutzen. Wasserspuren entfernen Sie mit ein paar Tropfen Haushaltsessig oder Zitronensaft. Wischen Sie anschließend mit einem saugfähigen Papiertuch und einigen Tropfen spezieller Reinigungsflüssigkeit nach.

Die Glaskeramikoberfläche hält ebenbögigem Kochgeschirr zwar stand, dennoch sollte Kochgeschirr stets angehoben werden, um es auf eine andere Kochzone zu stellen.

**Hinweis:**



**Benutzen Sie keinen zu nassen Schwamm.**

**Benutzen Sie niemals ein Messer oder einen Schraubendreher.**

**Ein Schaber mit einer Rasierklinge verursacht keine Schäden auf der Oberfläche, solange er in einem Winkel von 30° gehalten wird.**

**Halten Sie Kochfeldschaber immer außerhalb der Reichweite von Kindern.**

**Benutzen Sie niemals abrasive Produkte oder Scheuerpulver.**

**Die Metalleinfassung:** Reinigen Sie die Metalleinfassung mit Haushaltsreiniger und Wasser und wischen Sie sie dann mit einem weichen Tuch trocken.

**Farbveränderungen der Glaskeramikoberfläche haben keinerlei Auswirkung auf deren Funktion oder Stabilität. Derartige Verfärbungen sind in der Regel auf angebrannte Lebensmittelreste oder die Verwendung von Kochgeschirr zurückzuführen, das aus Materialien wie Aluminium oder Kupfer besteht. Diese Rückstände sind schwer wieder zu entfernen.**

## 8. PROBLEMBEHEBUNG

**Die Kochzonen werden nicht oder nur mäßig heiß.**

Benutzen Sie ausschließlich ebenbödiges Kochgeschirr. Wenn zwischen Kochgeschirr und Kochzone Licht zu sehen ist, findet keine korrekte Hitzeübertragung statt.

Das Kochgeschirr sollte denselben Durchmesser wie die benutzte Kochzone haben.

**Der Garvorgang dauert zu lange**

Es wurde ungeeignetes Kochgeschirr benutzt. Verwenden Sie nur ebenbödiges, schweres Kochgeschirr mit mindestens demselben Durchmesser wie die Kochzone.

**Kleine Kratzer oder Abnutzung auf der Glasfläche des Kochfelds**  
 Unsachgemäße Reinigung oder Benutzung von Kochgeschirr mit rauem Boden; Partikel (Sand, Salz usw.) zwischen Kochfeld und Boden des Kochgeschirrs. Siehe Abschnitt „REINIGUNG“. Achten Sie vor der Benutzung darauf, dass der Boden des Kochgeschirrs sauber ist, und benutzen Sie nur Kochgeschirr mit einem glatten, planen Boden. Durch ordnungsgemäße Reinigung lassen sich Kratzer vermeiden.

**Metallspuren**

Schieben Sie Aluminiumkochtöpfe nicht über das Kochfeld. Beachten Sie die Reinigungshinweise.

Verwenden Sie geeignete Materialien. Sollten Rückstände bleiben, benutzen Sie einen speziellen Kochfeldschaber. Befolgen Sie die Hinweise unter „REINIGUNG“.

**Dunkle Rückstände**

Benutzen Sie einen speziellen Kochfeldschaber und befolgen Sie die Hinweise unter „REINIGUNG“.

**Helle Flächen auf dem Kochfeld**

Spuren von Aluminium- oder Kupferkochgeschirr sowie Mineral-, Wasser- oder Lebensmittelrückstände können mit einem Kochfeldreiniger entfernt werden.

**Karamelisation oder geschmolzener Kunststoff auf dem Kochfeld.**

Befolgen Sie die Hinweise unter „REINIGUNG“.

**Das Kochfeld bzw. bestimmte Kochzonen funktionieren nicht**

Die Anschlüsse an der Klemmleiste wurden nicht korrekt vorgenommen. Überprüfen Sie, ob die Anschlüsse entsprechend den Hinweisen ausgeführt wurden oder das Bedienfeld gesperrt ist. Heben Sie die Sperre auf.

**Das Kochfeld lässt sich nicht abschalten.**

Das Bedienfeld ist gesperrt. Heben Sie die Sperre auf.

**Kochzonen schalten sich wiederholt ein und aus**

Die Ein/Ausschaltzyklen variieren je nach erforderlicher Hitze:

- geringe Hitze: kurze Betriebsdauer

- starke Hitze: lange Betriebsdauer

**Das Kochfeld funktioniert nicht.**

Überprüfen Sie den Zustand der Sicherungen / Trennschalter. Prüfen Sie, ob ein Stromausfall vorliegt.

**Das Kochfeld hat sich selbständig abgeschaltet.**

Der Hauptschalter (EIN/AUS-Taste) wurde versehentlich betätigt oder ein Gegenstand auf einer Taste abgestellt. Entfernen Sie eventuelle Gegenstände vom Bedienfeld und schalten Sie das Gerät wieder ein. Nehmen Sie die gewünschten Einstellungen erneut vor.

**Auf dem Display wird „F“ und Zahlen angezeigt**

Wenn das Display „F“ und Zahlen anzeigt, liegt eine Gerätestörung vor. Die nachstehende Tabelle enthält Maßnahmen, um das Problem zu beheben.

## 9. KUNDENDIENST

**Bevor Sie sich an einen Wartungstechniker wenden, überprüfen Sie bitte:**

– ob der Netzstecker korrekt an einer abgesicherten Steckdose angeschlossen ist.

Falls sich der Fehler nicht feststellen lässt, schalten Sie das Gerät aus und wenden sich umgehend an den Kundendienst. Das Gerät wird mit einer Garantie ausgeliefert, die sicherstellt, dass es kostenlos vom Kundendienst repariert wird.

Kochfeldanzeige	Störung	Maßnahme
F0	Berührungssteuerungs-Softwarefehler	Bei einer Störung das Gerät von der Spannungsversorgung abtrennen und erneut wieder anschließen. Sollte die Störung bestehen bleiben, den Kundendienst benachrichtigen. Falls die Störung unvermittelt bei normalem Betrieb auftritt, den Kundendienst benachrichtigen.
Fc	Die Berührungssteuerungszone ist zu heiß und hat alle Kochzonen abgeschaltet.	Warten bis die Temperatur sinkt, die Kochfläche wird wiederhergestellt, wenn die Temperatur einen normalen Wert erreicht. Wenn die Meldung nicht mehr angezeigt wird, kann das Kochfeld wieder verwendet werden.
Ft	Der Berührungssteuerungs-Temperatursensor ist eventuell beschädigt.	Warten Sie, bis die Temperatur sinkt. Sollte die Störung bestehen bleiben, nachdem die Temperatur den normalen Wert erreicht hat, den Kundendienst benachrichtigen.
FE	Der Berührungssteuerungs-Temperatursensor ist eventuell beschädigt.	Warten Sie, bis die Temperatur sinkt. Sollte die Störung bestehen bleiben, nachdem die Temperatur den normalen Wert erreicht hat, den Kundendienst benachrichtigen.
Fb	Außergewöhnliche Tastenreaktion.	Prüfen Sie, ob das Kochfeld korrekt montiert ist. Stellen Sie sicher, die Tasten auf der Glasoberfläche korrekt zu berühren.
FU / FJ	Bedienfeldsicherheitsfehler	Dieser Fehler ist eine automatische Bedienfeldprüfung. Er verschwindet, sobald die automatische Prüfung wieder einen sicheren Wert ergibt. Sollte der Fehler bestehen bleiben, den Kundendienst benachrichtigen.
FA	Bedienfeldsicherheitsfehler	Dieser Fehler ist eine automatische Softwareprüfung. Er verschwindet, sobald die automatische Prüfung wieder einen sicheren Wert ergibt. Sollte der Fehler bestehen bleiben, den Kundendienst benachrichtigen.
FC / Fd	Bedienfeldsicherheitsfehler	Dieser Fehler ist eine automatische Softwareprüfung. Er verschwindet, sobald die automatische Prüfung wieder einen sicheren Wert ergibt. Sollte der Fehler bestehen bleiben, den Kundendienst benachrichtigen.
Fr	Relaissicherheitsfehler	Eventuell liegt ein Relaisproblem vor. Trennen Sie das Kochfeld von der Spannungsversorgung, warten Sie eine Minute, und schalten Sie es dann wieder ein. Sollte der Fehler bestehen bleiben, den Kundendienst benachrichtigen.

## GÜVENLİK TALİMATLARI

Kurulum ve kullanım talimatlarını daha sonra başvurmak üzere saklamanızı ve ocağın kurulumunu gerçekleştirmeden önce, satış sonrası servis almanız gerektiğinde kullanmak üzere seri numarasını not etmenizi tavsiye ederiz.

**UYARI:** Cihaz ve erişilebilir parçaları kullanım sırasında sıcak olur. Isıtma elemanlarına dokunmamaya dikkat edilmelidir. 8 yaşından küçük çocuklar, sürekli olarak gözetim altında olmadıkları sürece cihazdan uzak tutulmalıdır.

**UYARI:** Yalnızca pişirme cihazının Üreticisi tarafından tasarlanmış veya kullanım talimatlarında Üretici tarafından belirtilen ocak korumalarını ya da cihazla birlikte verilen ocak korumalarını kullanın. Uygun olmayan korumaların kullanılması kazalara neden olabilir.

**UYARI:** Gözetimsiz bir şekilde, katı veya sıvı yağ ile ocağın üzerinde yapılan pişirme işlemleri tehlikeli olabilir ve yangına neden olabilir. Yangını **HİÇBİR ZAMAN** suyla söndürmeyi denemeyin; bunun yerine cihazı kapatın ve kapak ya da yangın battaniyesi gibi bir aletle alevlerin üzerini örtün.

**UYARI:** Yangın tehlikesi: Pişirme yüzeylerinde eşya bırakmayın.

**UYARI:** Yüzeyde çatlak varsa cama dokunmayın ve elektrik çarpması olasılığını önlemek için cihazı kapatın.

Bu cihaz, gözetim altında veya cihazın güvenli bir şekilde kullanımına ilişkin talimatların verilmesi ve ilgili tehlikelerin anlaşılması halinde 8 yaşından büyük çocuklar ve fiziksel, duyuşsal ya da zihinsel engeli bulunan veya yeterli deneyim ve bilgiye sahip olmayan kişiler tarafından kullanılabilir. Çocuklar, cihaz ile oynamadıklarından emin olmak amacıyla gözetim altında tutulmalıdır. Temizlik ve kullanıcı bakımı işlemleri, gözetim altında olmayan çocuklar tarafından yapılmamalıdır.

**DİKKAT:** Pişirme işlemi gözetim altında yapılmalıdır. Kısa süreli bir pişirme işlemi sürekli olarak gözetim altında tutulmalıdır.

Ciddi yanık riskini önlemek için pişirme bölgeleri çalışır durumdayken veya kapalıyken, kalıntı ısı göstergesi açık olduğu sürece çocukların bu bölgelerden uzak tutulmaları önemle tavsiye edilir.

Bu cihaz, harici zamanlayıcı veya ayrı bir uzaktan kumanda sistemi yoluyla kullanılmak için değildir. Varsa, halojen lambalı ocak elemanlarına doğrudan bakmayın.

Besleme kablosuna etikette belirtilen gerilimi, akımı ve yükü kaldırabilecek, toprak bağlantısı olan bir fiş takın. Prizin etikette belirtilen yüke uygun, toprak bağlantısı yapılmış ve çalışır durumda olması gerekir. Topraklama iletkeni sarı-yeşil renklidir. Bu işlem yalnızca uygun yetkinliğe

sahip personel tarafından gerçekleştirilmelidir. Prizle cihazın fişi arasında uyumsuzluk olması durumunda, yetkin bir elektrik ustasından prizi uygun tipte bir prizle değiştirmesini isteyin. Fiş ve priz kurulumun yapıldığı ülkede geçerli olan normlara uygun olmalıdır.

Güç kaynağı bağlantısı, cihazla güç kaynağı arasına maksimum bağlı yükü kaldırabilecek ve geçerli mevzuata uygun olan omnipolar bir devre kesici yerleştirilerek de yapılabilir.

Sarı-yeşil topraklama kablosu devre kesici tarafından kesintiye uğratılmamalıdır. Priz veya bağlantı için kullanılan omnipolar devre kesici, cihazın kurulumu yapıldığında kolayca erişilebilir durumda olmalıdır.

Bağlantı, fişin erişilebilir durumda tutulması veya kablolu kurallarına uygun şekilde sabit kablo tesisatına bir anahtarın eklenmesi yoluyla kesilebilir.

Besleme kablosu hasarlıysa tehlikeyi önlemek amacıyla Üretici, Üreticinin servis temsilcisi veya benzeri bir yetkin kişi tarafından değiştirilmelidir. Toprak iletkeni (sarı-yeşil) uç bloğu tarafında 10 mm'den uzun olmalıdır. İç iletkenler bölümü, ocağın aldığı güce uygun olmalıdır (alınan güç etikette belirtilir). Güç kablosu HO5V2V2-F tipi olmalıdır.

Bıçak, çatal, kaşık veya kapak gibi metal nesnelere ocağın üzerine koymayın. Bu gibi nesnelere ısınabilir.

Alüminyum folyo ve plastik kaplar ısıtma bölgelerine yerleştirilmemelidir.

Her kullanımdan sonra kir ve yağ birikimini önlemek için ocağın temizlenmesi gerekir. Bu gibi kalıntılar, ocağın üzerinde bırakılırsa ocak kullanıldığında tekrar pişerek duman ve hoş olmayan kokuların oluşmasına, ayrıca alevin yayılması riskine neden olur.

Cihazı temizlemek için hiçbir zaman buhar veya yüksek basınçlı sprey kullanmayın.

Çalışma sırasında veya kullanımdan kısa bir süre sonra ısıtma bölgelerine dokunmayın.

Hiçbir zaman yemekleri doğrudan cam seramik ocağın üzerinde pişirmeyin.

Her zaman uygun pişirme gereçleri kullanın.

Tencereyi her zaman yemek pişirmek için üzerine koyduğunuz birimin ortasına yerleştirin. Kontrol panelinin üzerine hiçbir şey koymayın.

Ocağı çalışma yüzeyi olarak kullanmayın.

Ocağı çalışma kesme tahtası olarak kullanmayın.

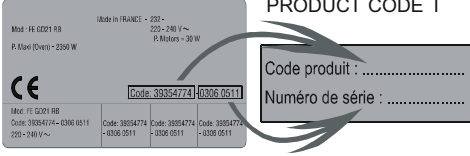
Ocağın üst kısmında ağır eşyalar saklamayın.

Ocağın üzerine ağır bir şeyin düşmesi hasara neden olabilir.

Ocağı hiçbir eşyayı saklamak için kullanmayın.

Pişirme gereçlerini ocağın üzerinde kaydırmayın.

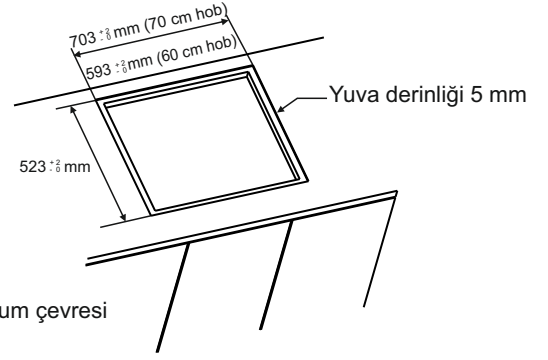
Kimlik Plakası (ocağın alt muhafazasının altında bulunur)



PRODUCT CODE T

Code produit : .....

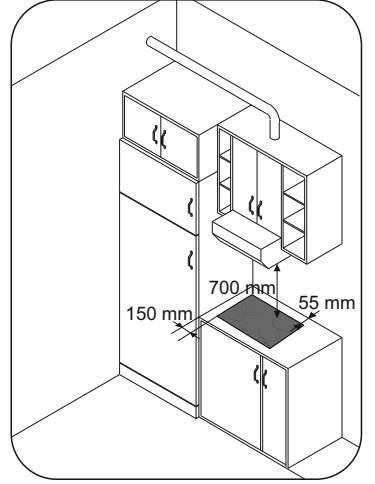
Numéro de série : .....



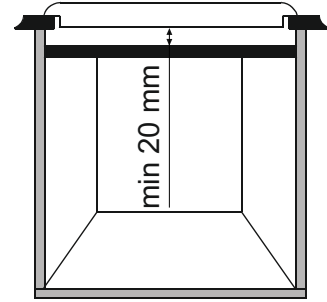
Gömme kurulum çevresi

**Not:** İç çevre boyutları standart kurulum ile aynıdır

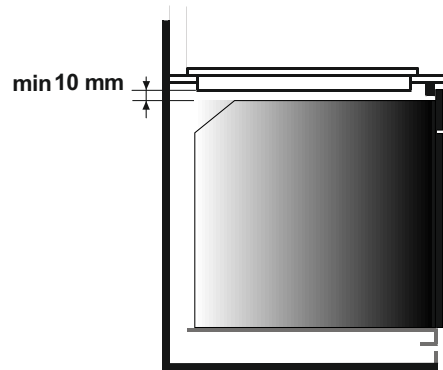
Ocakla arka duvar arasında en az 55 mm, yan taraflarda da ocakla dikey mobilya veya duvarlar arasında en az 150 mm mesafe bırakın. Ocağın üzerine bir mobilya monte edilecekse gereken minimum mesafe 700 mm'dir. Ocağın üzerine davlumbaz monte ederken, lütfen davlumbaz için belirtilen kurulum gereksinimlerine başvurun; ancak her durumda ocakla davlumbaz arasındaki mesafe en az 700 mm olmalıdır.



Ocağın alt bölümü normalde kullanım veya temizlik işlemleri için erişilebilir bir alana bitişirse ocağın alt bölümünün 20 mm altına bir separatör yerleştirilmelidir.



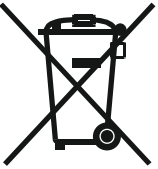
Ocağın altına fırın monte edilirken separatör kullanılmamalıdır ve ocağın alt bölümüyle fırın arasındaki minimum mesafe en az 10 mm olmalıdır. Bu ocağın altına soğutmalı fırın monte etmeyin ve fırın kurulumunu kendi kurulum gereksinimlerine göre gerçekleştirin.



## 1. GENEL UYARILAR

Bu cihazın üzerinde bulunan **CE** işareti, bu ürün kategorisi için geçerli olan tüm Avrupa Güvenlik, Sağlık ve Çevre gereksinimlerine uygunluğun garanti edildiği anlamına gelir.

## 2. ÇEVRENİN KORUNMASI



Bu cihaz, Atık Elektrikli ve Elektronik Teçhizatlar (WEEE) hakkında Avrupa Parlamentosu ve Konsey Direktifine 2012/19/AB uygunluk işareti taşımaktadır.

WEEE hem kirletici maddeleri (çevre üzerinde olumsuz etkilere neden olabilecek maddeleri) hem de tekrar kullanılacak temel bileşenleri kapsar. Tüm kirleticilerin düzgün şekilde çıkarılıp atılması ve tüm malzemelerin geri kazanılıp geri dönüştürülmesi için WEEE'nin belirli işlemlerden geçirilmesi önemlidir.

Kişiler, WEEE'nin çevreye yönelik bir sorun teşkil etmemesini sağlama konusunda önemli bir rol oynayabilirler; bazı temel kurallara uyulması temel önem taşır:

- WEEE evsel atık olarak muamele görmemelidir.
- WEEE belediye veya tescilli şirketler tarafından yönetilen ilgili toplama noktalarına teslim edilmelidir. Birçok ülkede büyük WEEE'ler için evden teslim alma hizmeti sunulmaktadır.
- Birçok ülkede, yeni bir cihaz satın aldığınızda eski cihaz satıcıya iade edilebilir; cihaz, sağlanan yeni cihazla bire bir aynı tipte olması ve aynı fonksiyonları taşıması şartıyla satıcı tarafından ücretsiz teslim alınabilir.

## 3. KURULUM

Bir beyaz eşyanın kurulumu, doğru şekilde yapılmazsa eşyaların, malların veya insanların güvenliğini ciddi biçimde etkileyebilecek karmaşık bir işlemdir. Bu nedenle teknik yönetmeliklere uygun şekilde, profesyonel yetkinliğe sahip bir kişi tarafından gerçekleştirilmelidir.

Üretici; bu tavsiyenin göz önünde bulundurulmaması ve kurulumun yetkin olmayan bir kişi tarafından gerçekleştirilmesi halinde, eşya ya da malların hasar görmesi veya insan ya da hayvanların yararlanması ile sonuçlanıp sonuçlanmadığına bakılmaksızın, cihazla ilgili teknik arızalara ilişkin hiçbir sorumluluk kabul etmez.

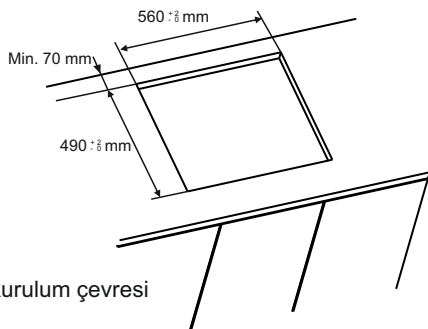
Ambalajı çıkardıktan sonra lütfen cihazın hasarlı olmadığından emin olun; hasar varsa Satıcıyla veya Üreticinin Satış Sonrası Servis bölümüyle iletişime geçin.

Cihazın monte edileceği mobilyanın ve yakındaki diğer tüm mobilyaların yüksek sıcaklığa (min. 100°C) dayanıklı malzemelerden üretildiğinden emin olun.

Buna ek olarak, tüm dekoratif laminatlar yüksek dayanıklılığa sahip yapıştırıcıyla sabitlenmiş olmalıdır.

Cihaz "Standart" veya "Gömme" modunda ankastre mobilya içine kurulabilir.

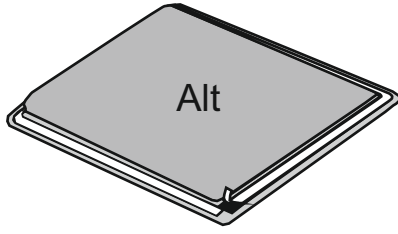
Tezgah kalınlığı 25 ile 45 mm arasında olmalıdır.



Gömme kurulum çevresi

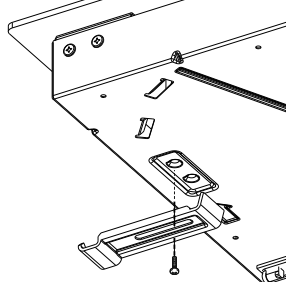


Ocakla birlikte su geçirmez bir conta verilir. Contayı açıklanan şekilde ocağın alt kısmının etrafına takın ve destekleyen mobilyaya sızıntı olmasını önlemek için düzgün takıldığından emin olun.

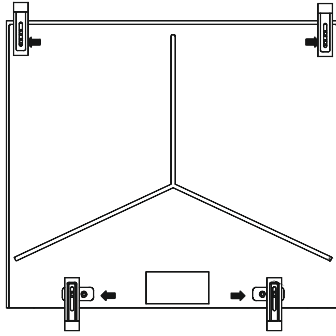


#### Normal Sabitleme:

- Aksesuar poşetinden sabitleme klipslerini alın ve alttaki kutuda gösterilen şekilde yerine vidalayın. (Vidaları klipsleri engelleyecek şekilde sıkmayın; bunların serbestçe hareket edebilmeleri gerekir)

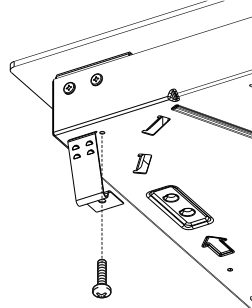


- Ocağı oyuk alanın ortasına yerleştirin.  
- Klipsleri döndürerek tamamen sıkın.

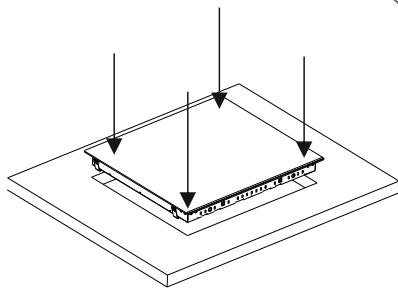


#### Hızlı Sabitleme: (Modele bağlı olarak)

Aksesuar poşetinden dört yay alın ve bunları şekilde gösterildiği gibi alttaki kutuya vidalayın.

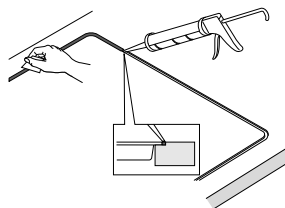


Ocağı ortalayıp yerleştirin. Tüm çevresi desteklenene kadar ocağın kenarlarına bastırın.

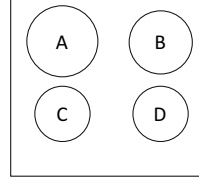


#### GÖMME KURULUM

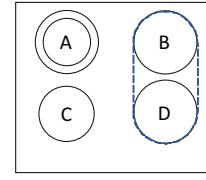
Ocağın konumunun doğru olduğunu kontrol ettikten sonra, tezgahla ocak arasındaki boşluğu silikon yapıştırıcıyla doldurun. Silikon katmanı donmadan önce bir spatulayla veya suya ve sabuna batırdığınız ıslak parmaklarınızla düzleştirin. Silikon katman tamamen kuruyana kadar ocağı kullanmayın.



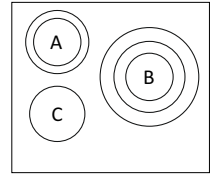
## 4. ELEKTRİK BAĞLANTISI



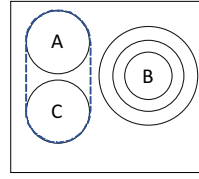
YERLEŞİM 1



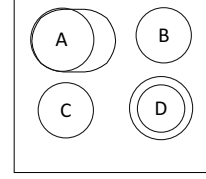
YERLEŞİM 2



YERLEŞİM 3



YERLEŞİM 4



YERLEŞİM 5

	A	B	C	D
YERLEŞİM 1	2300W	1800 W	1200 W	1200 W
YERLEŞİM 2	1000+700 W	1800 W	1200 W	1800 W
YERLEŞİM 3	1000+700 W	1050+900+750 W	1200 W	-
YERLEŞİM 4	1800W	1050+900+750 W	1800 W	-
YERLEŞİM 5	1500+900 W	1200 W	1200 W	1000+700 W

**YERLEŞİM**

**TIMER**

1- AÇMA - KAPAMA (PAUSE 4)

2- "+" (PAUSE 4)

3- "-" (PAUSE 4)

4- ZAMANLAYICI (PAUSE 4)

5- İKİLİ / ÜÇLÜ BÖLGE (PAUSE 4)

6- ISITICI BÖLGE SEVİYE GÖSTERGESİ (PAUSE 4)

7- KÖPRÜ FONKSİYONU (PAUSE 4)

8- ÇOCUK KİLİDİ (PAUSE 4)

9- ERİTME (PAUSE 4)

10- KAYNATMA (PAUSE 4)

1

2

3

4

5

#### Modele Göre

- 1- Açma - Kapama
- 2- "+"
- 3- "-"
- 4- Zamanlayıcı
- 5- İkili / Üçlü bölge
- 6- Isıtıcı bölge seviye göstergesi
- 7- Köprü fonksiyonu
- 8- Çocuk kilidi
- 9- Eritme
- 10- Kaynatma

**"Kurulum standartlara ve direktiflere uygun şekilde yapılmalıdır." Üretici, uygunsuz veya makul olmayan kullanımdan kaynaklanabilecek hasarlara ilişkin tüm sorumlulukları reddeder.**

**UYARI:** Toprak bağlantısı yapılmamış veya devamlılığı kusurlu olacak şekilde toprağa bağlanmış bir cihazın kullanımı sırasında oluşabilecek olaylardan veya bunların sonuçlarından üretici sorumlu tutulamaz.

Elektrikle çalıştırmadan önce lütfen elektrik ölçerde gösterilen besleme gerilimini, kurulumun toprak bağlantısının devamlılığını ve sigortanın uygunluğunu kontrol edin.

Kurulumun elektrik bağlantısı, Cihazın nominal gücüne göre yapılmalıdır; bağlantı, çok kutuplu kesme şalteriyle sağlanmalıdır. Cihazda priz çıkışı varsa kurulum prizin erişilebilir olmasını sağlayacak şekilde yapılmalıdır.

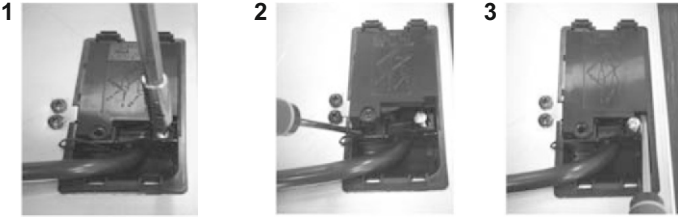
Güç besleme kablosunun sarı/yeşil kablosu, güç kaynağı ve cihaz uçlarının toprağına bağlanmalıdır. Güç besleme kablosuyla ilgili tüm sorular için Satış Sonrası Servis bölümüne veya yetkin bir teknisyene danışın.

Ocak güç besleme kablosuyla donatılmışsa bu kablo yalnızca faz ile nötr arasında 220-240 V güç beslemesine bağlanmalıdır.

Ancak ocak aşağıdakilere de bağlanabilir:  
Üç Faz 220-240 V3  
Üç Faz 380-415 V2N

Yeni bağlantıyla devam etmek için lütfen aşağıdaki talimatları uygulayın: Bağlantıyı yapmadan önce kurulumun uygun bir sigortayla korunduğundan ve cihaza normal besleme sağlamak için yeterli genişlikte bir bölüme sahip kablolarla donatıldığından emin olun. Camı korumaya dikkat ederek, ocağı cam yüzeyi tezgaha gelecek şekilde baş aşağı çevirin.

**Kapağı aşağıdaki sırayla açın:**



- Kablo kelepçesi "1"i sökün;
- Kenarlarda bulunan iki çıkıntıyı bulun;
- Düz bir tornavidanın ağzını çıkıntı "2" ve "3"ün önüne yerleştirin, itin ve bastırın;
- Kapağı çıkarın.

**Güç besleme kablosunu çıkarmak için:**

- Besleme kablosunun paralel çubuklarını ve iletkenlerini içeren uç bloğunu tutan vidaları sökün;
- Besleme kablosunu çekerek çıkarın.

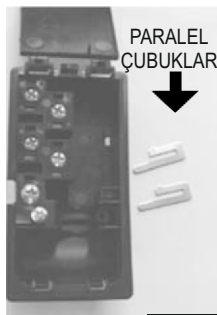
**Yeni bağlantı yapmak için gerçekleştirilecek işlemler:**

- Tablodaki tavsiyelere uygun güç besleme kablosunu seçin;
- Güç besleme kablosunu kelepçeden geçirin;
- Uç bloğuna bağlantı için gereken kablo uzunluğunu da göz önünde bulundurarak, besleme kablosunun her bir iletkeninin ucunu 10 mm uzunlukta sıyırın;
- Kurulumuna uygun şekilde ve ilk işlemde açığa çıkardığınız paralel çubukların yardımıyla iletkeni tabloda gösterilen şekilde sabitleyin;
- Kapağı takın;
- Kablo kelepçesi vidalayarak takın.

**Not: Terminal kutusu vidalarının sıkı olduğundan emin olun**

**Yeni bağlantı yapmak için gerçekleştirilecek işlemler:**

- Tablodaki tavsiyelere uygun güç besleme kablosunu seçin;
- Güç besleme kablosunu kelepçeden geçirin;
- Uç bloğuna bağlantı için gereken kablo uzunluğunu da göz önünde bulundurarak, besleme kablosunun her bir iletkeninin ucunu 10 mm uzunlukta sıyırın;
- Kurulumuna uygun şekilde ve ilk işlemde açığa çıkardığınız paralel çubukların yardımıyla iletkeni tabloda gösterilen şekilde sabitleyin;
- Kapağı takın;
- Kablo kelepçesi vidalayarak takın.



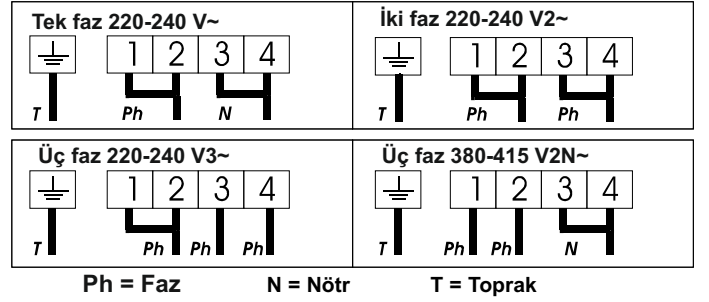
**DİKKAT:**

Güç besleme kablosunun değiştirilmesi gerekirse kabloyu aşağıdaki renklere/kodlara uygun şekilde bağlayın:

MAVİ	Nötr	(N)
KAHVERENGİ	Akım	(L)
SARI YEŞİL	Toprak	(⊕)

### Uç bloğundaki uçlara bağlantı

	YERLEŞİM "1-3"	YERLEŞİM "2-4"
TEK FAZ veya İKİ FAZ 220-240 V~		
Kablo HO5V2V2F	3x2,5 mm <sup>2</sup>	3x4 mm <sup>2</sup>
ÜÇ FAZ 220-240 V3~		
Kablo HO5V2V2F	4x1,5 mm <sup>2</sup>	4x1,5 mm <sup>2</sup>
ÜÇ FAZ 380-415 V2N~		
Kablo HO5V2V2F	4x1,5 mm <sup>2</sup>	4x1,5 mm <sup>2</sup>



### 5. OCAK İÇİN PIŞIRME GERECİ TAVSİYESİ

Ocağınızdan en iyi performans almak için iyi kalitede pişirme gereçlerinin kullanılması çok önemlidir.



• **Her zaman tamamen düz ve kalın tabanlı, iyi kalitede pişirme gereçleri kullanın:** Bu tür pişirme gereçlerinin kullanılması yemeğin yapışmasına neden olan sıcak noktaların oluşmasını önler. Kalın metal tencereler ve tavalar eşit ısı dağılımı sağlar.

• **Tencere veya tavanın tabanının kuru olduğundan emin olun:** Tencerelere sıvı doldururken veya buzdolabında saklanmış bir tencere kullanırken tencereyi ocağın üzerine yerleştirmeden önce tabanının tamamen kuru olduğundan emin olun. Böylece ocağın lekelenmesini önleyebilirsiniz.

• **Çapı, yüzey birimini tamamen kaplayacak kadar geniş olan tencereler kullanın:** Tencerenin boyutu ısıtma alanından küçük olmamalıdır. Tencere ısıtma alanından biraz daha büyük olduğunda enerji maksimum verimlilikle kullanılır.

**PIŞIRME GERECİ SEÇİMİ:** Aşağıdaki bilgiler iyi performans sağlayacak pişirme gereçleri seçmeniz konusunda yardımcı olacaktır.

**Paslanmaz Çelik:** Kesinlikle tavsiye edilir. Sandviç tipi kaplama tabanlı pişirme gereçleri özellikle iyi sonuç verir. Sandviç tipi taban, paslanmaz çeliğin avantajlarını (görünüş, dayanıklılık ve kararlılık) alüminyum veya bakırın avantajlarıyla (ısı iletimi, eşit ısı dağılımı) bir araya getirir.

**Alüminyum:** Ağır gereçler tavsiye edilir. İyi iletim sağlar. Alüminyum kalıntıları bazen ocağın üzerinde çizik olarak görünebilir ancak hemen temizlenirse giderilebilir.

Düşük erime noktası nedeniyle ince alüminyum kullanılmamalıdır.

**Dökme Demir:** Kullanılabilir, ancak tavsiye edilmez. Düşük performans verir. Yüzeyde çizilmeye neden olabilir.

**Bakır Tabanlı / Taş Pişirme Gereçleri:** Ağır gereçler tavsiye edilir. İyi performans sağlar ancak bakır çizik gibi görünebilecek kalıntılar bırakabilir. Kalıntılar, ocak hemen temizlendiğinde giderilebilir. Ancak bu tür tencerelerin kaynayıp kurumasına izin vermeyin. Aşırı ısınan metal cam ocağı yapışabilir. Aşırı ısınmış bakır tencere ocağın üzerinde kalıcı lekeler neden olacak kalıntılar bırakabilir.

**Porselen/emaye:** Bu tür gereçler yalnızca ince, pürüzsüz ve düz tabanlı olduklarında iyi performans sağlar.

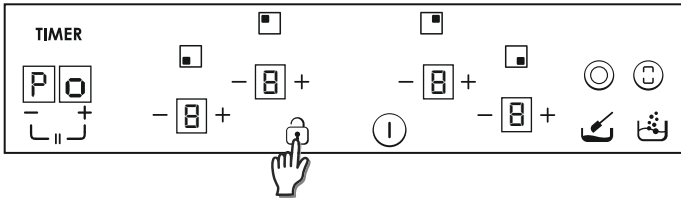
**Cam-seramik:** Tavsiye edilmez. Düşük performans verir. Yüzeyde çizilmeye neden olabilir.

## 6. KULLANIM

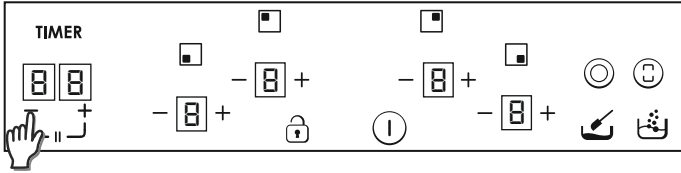
### Güç yönetimi düzeyinin seçilmesi

"Güç yönetimi" işleviyle, kullanıcı ocağın ulaşabileceği maksimum gücü ayarlayabilir. Güç yönetimi işlevi, yalnızca ocak açıldıktan sonraki ilk 30 saniye boyunca kullanılabilir. Bu ayar güç fişi çıkarılıp takılarak da yinelenir. İstenen maksimum gücü ayarlayarak, aşırı yük sorunu olmadan tüm bölgeleri aynı anda yönetebilme avantajıyla, ocak çeşitli pişirme bölgelerinde dağıtımı bu sınır asla geçilmeyecek şekilde otomatik olarak ayarlayabilir. Müşteri ocağın maksimum gücünü 2,5 kW ile ocağın maksimum anma gücü (modele göre farklı olabilir) arasında ayarlayabilir (Örneğin, ocağın maksimum gücü 7 kW ise ayar için maksimum güç seviyesi 2,5 kW ile 7 kW arasındadır. ). Satın alma tarihinde, ocak maksimum güce ayarlıdır. Cihazı elektrik gücüne bağladıktan sonra, 30 saniye içinde güç seviyesini aşağıda gösterilen noktalara göre ayarlayabilirsiniz:

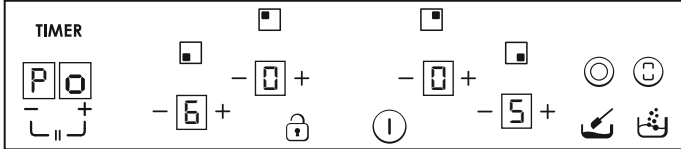
- 1.- Ocağı açın.
- 2.- Dokunmatik kontrolün başlatma işlemini tamamlamasını bekleyin.
- 3.- Kontrolün kilidini açın.



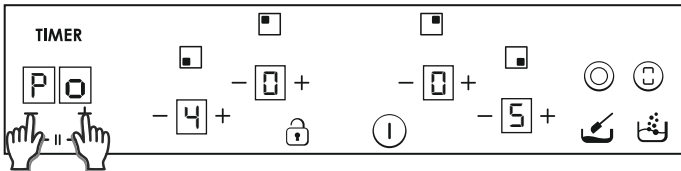
- 4.- Ocağı açtıktan sonra 30 saniye geçmeden zamanlayıcının "-" düğmesini 5 saniye basılı tutun.



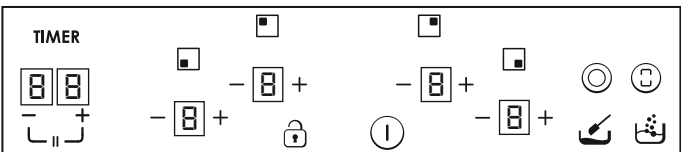
- 5.- Bundan sonra zamanlayıcı ekranında Po mesajı görüntülenir. Isıtıcı ekranlarında güç seviyesi 100'e bölünerek gösterilir.



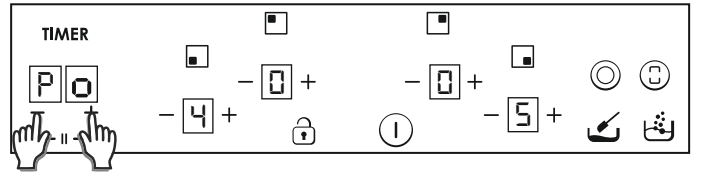
- 6.- Zamanlayıcının '+' ve '-' düğmelerini kullanarak Güç Yönetimi değerini ayarlayabilirsiniz. Gerekli değer seçildiğinde "+" ve "-" düğmelerini aynı anda 5 saniye basılı tutun.



- 7.- Bu işlem tamamlandığında, uzun bir bip sesi duyulur ve işlem sıfırlama gerçekleştirilir. Başlatma işlemi yeniden gerçekleştirilir.



- 8.- Başlatma işleminden sonra zamanlayıcı ekranında güç yönetimi gösterilir.

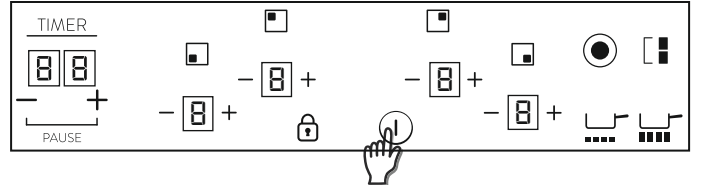


**Daha sonra, dokunmatik kontrol bu sınırı aşabilecek herhangi bir kombinasyona izin vermeyecektir.**

### Notlar:

- a) Bu güç yönetimi ayarı, yalnızca ocağın açılmasından itibaren ilk 30 saniye boyunca kullanılabilir.
- b) Bu güç yönetimi seçimi AÇIK durumdaysa ve ocak açıldıktan sonra 90 saniye geçmişse, yeni bir güç değeri kaydedilmeden bu işlem sonlandırılır.
- c) Bu güç yönetimi seçimi AÇIK durumdaysa ve zamanlayıcının "+" ve "-" düğmelerine aynı anda basılması dışında herhangi bir düğmeye basılırsa işlem **yeni bir güç değeri kaydedilmeden** sonlandırılır ve dokunma kontrolü sıfırlama olmaksızın normal şekilde çalışmaya başlar.
- d) Bu güç yönetimi seçimi AÇIK durumdayken, zamanlayıcının "+" ve "-" düğmelerine beraber basıldığında işlem **yeni bir güç** değerinin **kaydedilmesiyle** sonlandırılır, **sıfırlama** yapılır ve dokunma kontrolü normal şekilde çalışmaya başlar.

### Isıtıcı bölgesini Açma/Kapama



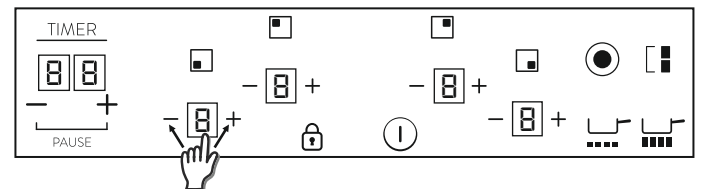
**Bir ısıtıcıyı AÇIK duruma getirmek için** açma-kapama butonuna 1-2 saniye boyunca dokunun. Uzun bir bip sesi duyulur ve hedef bölgenin hanesinde güç seviyesini gösteren "0" değeri görünür.

- 1) Herhangi bir pişirme aşaması 0 konumdaysa bu ekran 10 saniye sonra otomatik olarak KAPALI duruma geçer ve bölge için KAPALI sekansı duyulur.
- 2) Ekranda AÇIK durumda olup 0 güç konumunda bulunan kalıntı ısı göstergesi varsa "0" bilgisi yanıp söner.
- 3) Kilit fonksiyonu etkinse bir bölgeyi AÇIK duruma getiremezsiniz.

**Bir ısıtıcıyı KAPALI duruma getirmek için** açma-kapama butonuna 1-2 saniye boyunca dokunun. 3 kısa bip sesi duyulur ve hedef bölge hanesinde hiçbir bilgi görünmez ya da kalıntı ısı mevcutsa "H" değeri gösterilir. Bölge KAPALI duruma geçer.

- 1) Herhangi bir pişirme aşaması 0 konumdaysa bu ekran 10 saniye sonra otomatik olarak KAPALI duruma geçer ve bölge için KAPALI sekansı duyulur.
- 2) Ekranda KAPALI durumdayken kalıntı ısı göstergesi varsa "H" bilgisi yanıp söner.
- 3) Kilit fonksiyonu etkin olduğunda bile bir bölgeyi KAPALI duruma getirebilirsiniz.
- 4) Sadece bir ısıtıcı etkinse ve bu ısıtıcı kapalı duruma getirilirse 4 kısa bip sesi duyulur ve tüm pişirme yüzeyinin Kapalı duruma geçtiğini belirtir.

### Güç seviyesini artırma / azaltma

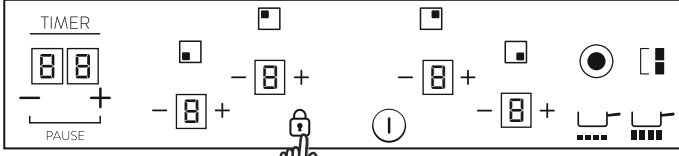


'+' veya '-' tuşlarına kısaca basarak seçili bölgenin hanesindeki güç seviyesini artırıp azaltabilirsiniz: 0-1-2-3...9-P

1. + veya - tuşlarına uzun basıldığında güç seviyesi sürekli olarak artar/azalır. Güç seviyesi hızlı artırıldığında güç seviye 9'da durur ve daha yüksek güç için + tuşuna bir kez daha kısaca basılması gerekir. Hızlı artırma / azaltma sırasında bip sesi duyulmaz.
2. P güç seviyesine gelindiğinde, + tuşuna tekrar basarsanız güç seviyesi 0'a getirilmez. 0 güç seviyesine gelindiğinde - tuşuna tekrar basarsanız güç seviyesi P'ye getirilmez.
3. 0 güç seviyesinde AÇIK durumda olan bir bölge sıcaksa 0 bilgisi yanıp söner. 10 saniye sonra 0 kaybolur ve ekranda sürekli olarak 'H' harfi gösterilir.

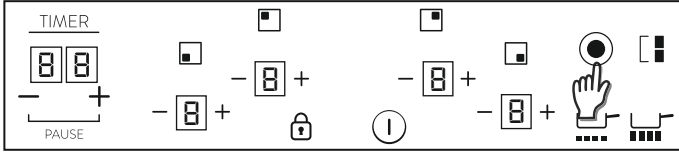
4. Bir ısıtıcı seçili olduğunda ve '+' ile '-' tuşlarına aynı anda basıldığında güç seviyesi '0'a gelir ama ısıtıcı 10 saniye boyunca seçili kalır. Isıtıcı süresi uzatılırsa zamanlayıcı Kapalı durumuna geçer. Bu işlem dokunmatik kontrol yapılandırmasına bağlı olarak çeşitli durumlarda oluşabilir. Aşağıda verilen örnekler yalnızca bilgi amaçlıdır. Kişisel deneyimleriniz bu ayarları zevkinize ve alışkanlıklarınıza göre uyarlamanızı sağlayacaktır.

### Çocuk Kilidi



Bu işlem kilit tuşuna basıldığında yapılır. Bundan sonra herhangi bir tuşa dokunulduğunda ekranda 2 saniye boyunca "L" harfi gösterilir. Isıtıcı aynı durumda kalır. Çocuk Kilidini devre dışı bırakmak için daha önce açıklanan işlemi uygulayın. Ardından kısa bir bip sesi duyulur ve ekranda "n" harfi gösterilir. Ocağın kilidi açık kalır.  
**Not:** Ocak tamamen Kapalı duruma getirildikten 15 dakika sonra otomatik çocuk kilidi devreye girer.

### İkili / Üçlü bölgeler



İkili genişletme halkasını AÇIK duruma getirmek için ilgili ana bölgenin AÇIK ve gösterilen güç seviyesinin 0'dan yüksek olması gerekir.

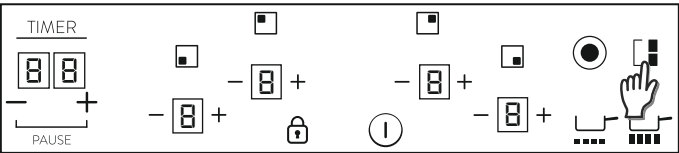
#### 8.1- İkili bölge AÇIK

Genişletme tuşuna ilk kez kısaca basıldığında genişletme halkası AÇIK duruma gelir. Genişletme halkası AÇIK durumdayken genişletme tuşunun üzerindeki LED yanar. Genişletme tuşuna tekrar kısaca basıldığında genişletme halkası KAPALI duruma gelir. Genişletme tuşuna her basıldığında kısa bir bip sesi duyulur.

#### 8.2- Üçlü bölge AÇIK

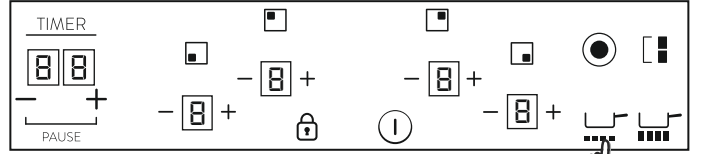
1. genişletme tuşuna ilk kez kısaca basıldığında genişletme halkası AÇIK duruma gelir. 1. genişletme halkası AÇIK durumdaysa genişletme tuşunun üzerindeki 1 LED YANAR (üçlü bölge için soldaki LED, ikili bölge için sadece ortadaki tek LED)  
Genişletme tuşuna tekrar kısaca basıldığında 2. genişletme halkası AÇIK duruma gelir. 1. ve 2. genişletme halkaları AÇIK durumdaysa genişletme tuşunun üzerindeki 2 LED YANAR  
Genişletme tuşuna üçüncü kez kısaca basıldığında 1. ve 2. genişletme halkaları KAPALI duruma gelir.  
Genişletme tuşuna her basıldığında kısa bir bip sesi duyulur.

### Köprü fonksiyonu



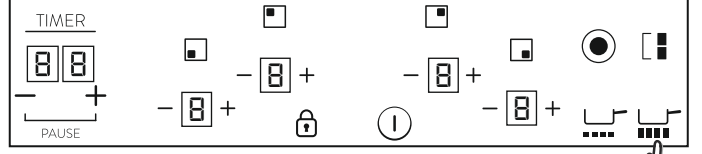
Köprü, yalnızca iki ısıtıcı da kapalıyken etkinleştirilebilir. Köprü fonksiyonunun dokunmatik köprü tuşunu etkinleştirmek için köprünün bir ısıtıcısı seçilir. Bir bip sesi duyulur ve bölge etkinleştirildiyse bölge LED'i yanar. Aynı anda iki köprü ısıtıcısı birden seçilecektir. Isıtıcılar seçildikten sonra güç seviyesi istenen ayarda değilse + ve - tuşlarını kullanarak ayarlayın. İki köprü ısıtıcısı da aynı güç seviyesini gösterir. Fonksiyon aşağıdaki durumlarda kapatılır:  
- Ayar modunda köprü tuşuna dokunulduğunda  
- Kullanıcı "0" güç seviyesini seçtiğinde

### Eritme fonksiyonu



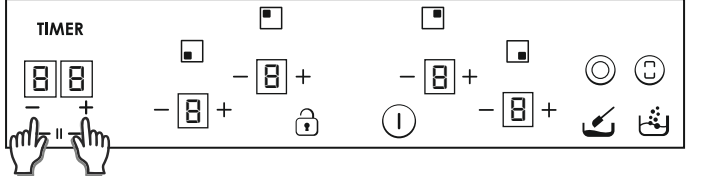
- Bir ısıtıcı seçildikten sonra, eritme fonksiyonunu çalıştırmak için; Eritme tuşuna basınız. Bip sesi duyulur ve ısıtıcı göstergesi "U" olarak görünür. Isıtıcı 2. seviyede çalışır.  
- Seçilen ısıtıcıda eritme fonksiyonu aşağıdaki durumlarda sonlandırılır;  
- Ocak kapatıldığında  
- Ya da ısıtıcı farklı bir seviyeye ayarlandığında.

### Kaynatma fonksiyonu



Bir ısıtıcı seçildikten sonra, kaynatma fonksiyonunu çalıştırmak için; Kaynatma tuşuna basınız. Bip sesi duyulur ve ısıtıcı göstergesi "P" olarak görünür. Isıtıcı maksimum seviyede 10 dk boyunca çalışır. Isıtıcı 10dk sonunda bip sesi ile 9. seviyeye düşer.  
- Seçilen ısıtıcıda kaynatma fonksiyonu aşağıdaki durumlarda sonlandırılır;  
- Ocak kapatıldığında  
- Ya da ısıtıcı farklı bir seviyeye ayarlandığında.

### DURAKLAT (DURDUR VE ÇIK) İŞLEVİ



Duraklatma işlevi pişirme işleminin geçici olarak duraklatılmasını sağlayarak kullanıcıların suyun fazla kaynadığından endişelenmeden kapağı veya telefona bakabilmelerine izin verir. Bu işlev, pişirme ayarını değiştirmeden kullanıcı arabirimi yüzeyini temizlemek için de faydalıdır. Bu işlevi seçmek için, kullanıcı "zamanlayıcı +/- tuşlarına" birlikte dokunmalıdır. "Zamanlayıcı +/- tuşları"na ½ saniye dokunulursa:  
• Bip sesi duyulur ve setüstü ocak durur,  
• Isıtıcının gerçek güç ayarı saklanır ve tüm etkin ısıtıcıların gücü 0 güç seviyesine ayarlanır,  
• Isıtıcıların otomatik kapanma saati duraklatılır,  
• Geriye sayım yapan tüm zamanlayıcılar duraklatılır,  
• "Zamanlayıcı +/- tuşları" ve "açma/kapatma tuşu" dışındaki tüm tuşlar kilitlenir (Zamanlayıcı tuşları yalnızca duraklatma işlevini devre dışı bırakmak için birlikte kullanılırlarsa etkinleşir),  
• Zamanlayıcı hiçbir şey göstermez ve tüm ısıtıcıların göstergeleri açılır ve "0"ı göstererek segment segment sol yönde açılır ve ardından segment segment sürekli olarak sağ yönde kapatılır.

Durdurma işlevi şunları sonlandıracaktır:

- "Zamanlayıcı +/- tuşları"na (birlikte) ½ saniyeden fazla dokunulursa, bir bip sesi duyulur ve ısıtıcıların gerçek güç ayarı ve zamanlayıcı geri sayımları geri yüklenir veya
- Setüstü ocak 10 dakikadan fazla durdurulursa, setüstü ocak otomatik olarak kapatılır.

### Taşma güvenliği


Bir şey (bir nesne veya sıvı) herhangi bir tuşa 5 saniyeden uzun süre bastığında devreye girer. Tuşa basılırken her 30 saniyede bir 2 Kısa bip sesi + 1 Uzun bip sesi duyulur. Pişirme yüzeyi Kapalı duruma geçer. Sorun devam ettiği sürece bu sembol yanıp sönme sürdürür.



## Zamanlayıcı

Zamanlayıcı fonksiyonu kendine ait tuşa ya da aynı anda '+' ve '-' tuşlarına dokunarak etkinleştirilebilir.

İki durumda da ısıtıcının seçili olması ve güç seviyesinin 0'dan büyük olması gerekir.

Zamanlanacak bölgeyi seçin. Bölgenin güç seviyesi 0'dan büyük olmalıdır. Zamanlanan bölgede süreli olarak  görüntülenir. Hanelerdeki "0" zamanlayıcı için ayrılmıştır.

1) "+" veya "-" tuşlarını kullanarak zamanlayıcı süresi seçilebilir. Süre değiştirildiğinde bip sesi duyulmaz.

2) Zamanlayıcıdaki tuşa aynı anda basıldığında zamanlayıcı iptal edilir (00 değerine döner).

3) Zamanlayıcının "+" veya "-" tuşları TBD süresi boyunca basılı tutulursa hızlı bir ayar yapılır.

4) Zamanlayıcı süresi ayarlanırken "-" tuşuyla "00"dan "99"a, "+" tuşuyla da "99"dan "00"a geçilebilir.

5) Maksimum süre 99 dakikadır.

6) Süre dolduğunda ve ocaktan bip sesi gelmeye başladığında herhangi bir tuşa basarak alarm ve hane sekansını sonlandırabilirsiniz.

7) Zamanlayıcı çalışırken zamanlayıcı süresini ayarlamak mümkündür.

8) Zamanlanmış bölgenin gücü, zamanlayıcı programını etkilemeden değiştirilebilir.

9) Son dakika saniye olarak gösterilir (Bazı modellerde yalnızca son dakika geri sayımı sırasında zamanlayıcı programına girildiğinde gösterilir)

10) Hiçbir bölge seçili değilken ve hiçbir bölge zamanlanmadığında, Zamanlayıcı tuşuna basarsanız hiçbir şey olmaz.

11) Hiçbir bölge seçili değilken ve birden çok bölge zamanlandığında, Zamanlayıcı tuşuna basarsanız süre hanelerinde gösterilen süre dönüşümlü şekilde değişir ve güç göstergesinde ondalık noktasının AÇIK olduğu bölgenin süresi gösterilir.

12) Zamanlanan bölgede dönüşümlü olarak Güç (5s) ve (0,5s) gösterilir.

Kalan süre zamanlayıcı için ayrılan hanelerde görüntülenir. Birden çok bölge zamanlanmışsa kalan en kısa süre görüntülenir ve ondalık noktası ilgili bölgede gösterilir.

## Kalıntı Isı Göstergesi (Radyan ısıtıcılarda -> hesaplanır)

"Kalıntı ısı" gösterimi için de aynı göstergeler kullanılabilir. Bu amaçla bir süre tablosu tanımlanmalıdır: Kalıntı Isı süresi=f (güç seviyesi, çalışma süresi).

Ocağın cam yüzeyindeki sıcaklık 65°C'nin (teorik değer) üzerindeyse, bu durum ilgili ekranda "H" harfiyle gösterilir.

65°C'nin üzerinde bir sıcaklık oluşması için bir ısıtma elemanının bir süredir çalışıyor olması gerekir; bu süre güç seviyesine bağlı olarak değişir. Bu süre dolduğunda, ısıtma elemanı kapatıldıktan sonra kalıntı ısı uyarısı gösterilir.

## Otomatik Güvenlik Kapatma

Güç seviyesi önceden ayarlanmış süre boyunca değişmezse ilgili ısıtıcı otomatik olarak kapanır.

Isıtıcının açık kalabileceği maksimum süre seçilen pişirme seviyesine göre değişir.

Güç seviyesi	Max. süre (saat)
1	10
2	5
3	5
4	4
5	3
6	2
7	2
8	2
9	2

**NOT:** En yüksek güç seviyeleri kullanılırken aşırı ısınma durumu oluşursa Ocak kontrolü ocağı aşırı ısınmaya karşı korumak için güç seviyesini otomatik olarak ayarlar.

## 7. TEMİZLİK VE BAKIM

. Ocakta herhangi bir bakım işlemi yapmadan önce soğumasını bekleyin.

. Yalnızca cam seramik yüzeyler için özel olarak tasarlanmış ürünler (kremler ve spatulalar) kullanılmalıdır. Bu ürünler naldurdan satın alınabilir.

. Ocak yüzeyine düşen her şey hızla yanacağı ve temizliği zorlaştıracağı için dökülmelerden kaçının.

. Plastik eşyalar, şeker veya şeker bazı ürünler gibi eriyebilecek tüm maddelerin ocaktan uzak tutulması tavsiye edilir.

### BAKIM:

- Birkaç damla özel temizlik ürününü ocak yüzeyine damlatın.  
- İnatçı lekeleri yumuşak bir bezle veya hafifçe nemlendirilmiş kağıt havluyla ovun.

- Yüzey temizlenene kadar yumuşak bir bez veya kuru kağıt havluyla silin.

### Hâlâ inatçı lekeler varsa:

- Birkaç damla daha özel temizlik sıvısını yüzeye damlatın.  
- Ocağa 30° açıyla tuttuğunuz bir spatula kullanarak leke çıkana kadar kazıyın.

- Yüzey temizlenene kadar yumuşak bir bez veya kuru kağıt havluyla silin.

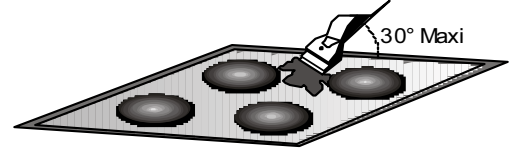
- Gerekirse bu işlemi tekrarlayın.

### BİRKAÇ İPUCU:

Sıkça temizleme, çizilmeyi ve aşınmayı önlemek için gerekli olan koruyucu bir katman oluşturur. Ocağı tekrar kullanmadan önce yüzeyin temiz olduğundan emin olun. Su lekelerini çıkarmak için birkaç damla beyaz sirke veya limon suyu kullanın. Ardından emici kağıtla ve birkaç damla özel temizleme sıvısıyla silin.

Cam seramik yüzey düz tabanlı tencerelerin sürtünmesine karşı dayanıklıdır, ancak tencereleri bir yüzeyden diğerine taşımanın en iyi yolu tencereyi kaldırarak taşımaktır.

### NOT:



**Çok ıslak bir sünger kullanmayın.**

**Hiçbir zaman bıçak veya tornavida kullanmayın.**

**30° açıyla tutulduğu sürece bıçaklı bir spatula yüzeye zarar vermez.**

**Bıçaklı spatulayı kesinlikle çocukların erişebileceği bir yerde bırakmayın.**

**Hiçbir zaman aşındırıcı ürünler veya ovma tozları kullanmayın.**

**Metal çerçeve:** Metal çerçeveyi güvenli şekilde temizlemek için su ve sabunla yıkayın, durulayın ve yumuşak bir bezle kurulayın.

**Cam seramik yüzeydeki renk değişiklikleri yüzeyin çalışmasını veya kararlılığını etkilemez. Bu gibi renk değişimleri, genellikle yanlış yemek kalıntılarında veya alüminyum veya bakır gibi malzemelerden yapılmış pişirme gereçlerinin kullanılmasından kaynaklanır. Bu lekelerin çıkarılması zordur.**

## 8. SORUN GİDERME

### Pişirme bölgeleri hafifçe kaynatmıyor veya kızartmıyor

Yalnızca düz tabanlı tencereler kullanın. Tencereyle ocak arasında ışık görünüyorsa bölge ısıyı doğru iletmemektedir. Tencere tabanının seçili bölgenin çapını tamamen kaplaması gerekir.

### Pişirme çok yavaş

Uygun olmayan tencereler kullanılmaktadır. Yalnızca düz tabanlı, ağır ve en az pişirme bölgesininkine eşit çapta pişirme gereçleri kullanın.

### Ocağın cam yüzeyinde küçük çizikler ve aşınmalar var

Yanlış temizleme yöntemleri veya sert tabanlı tencereler kullanılmıştır; ocakla tencerenin tabanı arasında kum veya tuz gibi parçacıklar kalmıştır. "Temizlik" bölümüne bakın. Kullanmadan önce tencere tabanlarının temiz olduğundan emin olun ve yalnızca pürüzsüz tabanlı tencereler kullanın. Çizikler ancak temizliğin doğru

yapılmasıyla azaltılabilir.

#### **Metal kalıntıları**

Alüminyum tencereleri ocağın üzerinde kaydırmayın. Temizlik tavsiyelerine bakın.

Doğru malzemeleri kullandığınız halde lekeler çıkmıyorsa: Bıçak kullanın ve "TEMİZLİK" bölümüne bakın.

#### **Koyu renkli lekeler**

Bıçak kullanın ve "TEMİZLİK" bölümüne bakın.

#### **Ocağın üzerindeki açık renkli yüzeyler**

Alüminyum veya bakır tencerelerin yanı sıra mineral, su veya yiyecek kalıntıları olabilir; bu lekeler krem temizleyici kullanılarak temizlenebilir.

#### **Ocağın üzerinde karamelizeasyon veya erimiş plastik**

"TEMİZLİK" bölümüne bakın.

#### **Ocak veya belirli bölgeler çalışmıyor**

Paralel çubuklar terminal kutusunda doğru yerleştirilmemiştir.

Bağlantının doğru yapıp yapılmadığını kontrol edin. Kontrol paneli kilitlidir. Ocağın kilidini açın.

#### **Ocak kapanmıyor**

Kontrol paneli kilitlidir. Ocağın kilidini açın.

#### **Pişirme bölgeleri için açma/kapama işlemlerinin sıklığı**

Açma-kapama döngüleri gerekli ısı seviyesine göre değişir:

- düşük seviye: kısa çalışma süresi,
- yüksek seviye: uzun çalışma süresi,

#### **Pişirme yüzeyi çalışmıyor.**

Bulduğunuz yerdeki sigortaların / devre kesicilerin durumunu kontrol edin. Elektrik kesintisi olup olmadığını kontrol edin.

#### **Pişirme yüzeyi kendi kendine kapandı.**

Yanlışlıkla ana düğmeye (AÇMA/KAPAMA tuşuna) dokunulmuş veya bir tuşun üzerine bir nesneyle basılıyor olabilir. Tuşlara hiçbir şeyin basmadığından emin olarak birimi tekrar açın. Ayarlarınızı tekrar girin.

#### **Ekranında F ve sayılar görünüyor**

Ekranında F ve sayılar gösteriliyorsa biriminiz bir arıza algılamıştır. Sorunu düzeltmek için aşağıda verilen işlemler listesine bakın.

## 9. SATIŞ SONRASI BAKIM

#### **Servis Mühendisi çağırılmadan önce lütfen aşağıdakileri kontrol edin:**

- fişin takılı ve sigortalı olduğundan emin olun;
- Arızanın nedeni belirlenmiyorsa cihazı kapatın, kurcalamayın ve Satış Sonrası Servis Merkezi'ni arayın. Cihaz Servis Merkezi'nde ücretsiz onarılmasını sağlayan bir garanti belgesiyle birlikte verilir.

Isıtıcı ekranı	Arıza	İşlem
F0	Dokunmatik kontrol yazılım hatası.	Hata oluştuysa pişirme yüzeyinin güç beslemesini kesip tekrar başlayın. Hata devam ederse satış sonrası servisi arayın. Hata normal çalışma sırasında aniden oluşursa satış sonrası servisi arayın.
Fc	Dokunmatik kontrol bölgesi çok sıcaktır ve tüm ısıtıcıları kapatmıştır.	Sıcaklık düşene kadar bekleyin, sıcaklık normal değere ulaştığında set üstü ocak düzelecektir. Mesaj kaybolduğunda, ocak tekrar kullanılabilir.
Ft	Dokunmatik kontrol sıcaklık sensörü hasar görmüş olabilir.	Sıcaklık düşene kadar bekleyin. Mesaj devam ederse sıcaklık normal değere ulaştığında satış sonrası servisi arayın.
FE	Dokunmatik kontrol sıcaklık sensörü hasar görmüş olabilir.	Sıcaklık düşene kadar bekleyin. Mesaj devam ederse sıcaklık normal değere ulaştığında satış sonrası servisi arayın.
Fb	Herhangi bir tuşta aşırı hassasiyet vardır.	Pişirme yüzeyinin doğru monte edildiğini kontrol edin. Tuşların cam yüzeye doğru şekilde dokunduğundan emin olun.
FU / FJ	Güvenlik klavyesi hatası	Bu, otomatik klavye kontrolüdür. Otomatik kontrol güvenli değere geri döndüğünde hata kaybolur. Hata devam ederse satış sonrası servisi arayın.
FA	Güvenlik klavyesi hatası	Bu, otomatik yazılım kontrolüdür. Otomatik kontrol güvenli değere geri döndüğünde hata kaybolur. Hata devam ederse satış sonrası servisi arayın.
FC / Fd	Güvenlik klavyesi hatası	Bu, otomatik yazılım kontrolüdür. Otomatik kontrol güvenli değere geri döndüğünde hata kaybolur. Hata devam ederse satış sonrası servisi arayın.
Fr	Röle güvenlik hatası	Herhangi bir röle sürücüsünde sorun olabilir. Pişirme yüzeyini güç beslemesinden çıkarın, bir dakika bekleyin ve tekrar açın. Hata devam ederse satış sonrası servisi arayın.

# TÜKETİCİ HİZMETLERİ

Yetkili servislerimizden hizmet talebiniz olduğunda veya ürünlerimizle ilgili genel öneri ve talepleriniz için aşağıdaki numaradan ulaşabilirsiniz.

## TÜKETİCİ HATTI: 444 03 98

Sabit telefonlardan veya cep telefonlarından alan kodu çevirmeden arayınız.

Ürününüzü kullanmadan önce montaj ve kullanma kılavuzunu mutlaka okuyunuz. Ürünün montaj ve kullanım kılavuzunda yer alan hususlara aykırı kullanılması, kullanım hataları ve cihazın standart kullanım şartları / amaçları haricinde kullanılması halinde ürün garanti kapsamı dışında kalacaktır.

Ürünün standart ve sorunsuz çalışma koşullarının sağlanması için gerekli / zorunlu olan montaj ve kullanım kılavuzunda belirtilen teknik özelliklerinin (su basıncı, voltaj değeri, gaz besleme basıncı, sigorta değeri, topraklama, yakıt cinsi, yakıt kalitesi vb.) uygun olmaması, sabit olmaması ve/veya değişken olması halinde, cihazda meydana gelebilecek arızalar ve sorunlar garanti kapsamı dışında kalacaktır.

Candy Hoover Euroasia tarafından sağlanan garanti şartları aşağıdaki koşullarda geçersiz olacaktır.

• Ürüne, yetkili servis dışındaki kişiler tarafından müdahale edilmesi, elektrik-su kesintisi ve üründen kaynaklanmayan kaçaklar garanti kapsamı dışındadır.  
• Kullanım hatalarından dolayı oluşan arıza ve hasarlar, elektrik-gaz -su tesisatı ve / veya tesisat ekipmanları nedeniyle meydana gelebilecek arızalar garanti kapsamı dışındadır.

• Ürünün, müşteriye ulaştırılması sonrası yapılan taşıma işlemine bağlı arıza ve hasarlar, tüketici tarafından yapılan yanlış depolama ve ortam koşulları nedeniyle cihazda meydana gelen hasarlar ve arızalar garanti kapsamı dışındadır.

• Hatalı elektrik tesisatı, ürünün üzerinde belirtilen voltajdan farklı voltajda kullanılması veya şebeke voltajındaki dalgalanmalar sonucu oluşan arıza ve hasarlar, doğal afetler, üründen kaynaklanmayan harici/fiziki dış etkenler, mevsimsel hava şartları ve çevresel etkenler (deprem, yangın, sel, su basması, şiddetli rüzgar, yıldırım düşmesi, kireç, nem, rutubet, toz, nakliye, taşıma, ürünün dona maruz kalması, susuz çalışma vb.) nedeniyle oluşan arızalar garanti kapsamı dışında kalacaktır.

• Kullanım kılavuzunda belirtilen hususlara aykırı kullanılmasından kaynaklanan arızalar ve hasarlar.

Yukarıda belirtilen arızaların giderilmesi ücret karşılığı yapılır.

Ürünün kullanım ömrü 10 (on) yıldır. Bu ürünün tanımlandığı şekilde çalışabilmesi için gerekli yedek parçaları bulundurma süresidir.

Üretim yeri Türkiye'dir.

### İTHALATCI FİRMA:

CANDY HOOVER EUROASIA EV GEREÇLERİ SAN. VE TİC. A.Ş.

İçerenköy Mh. Hal Yolu Cd. Çayır Yolu Sk. No: 11

Sayar İş Merkezi Kat: 7 34752 Ataşehir / İSTANBUL/ TÜRKİYE

Tel: 0216 466 42 42 • Fax: 0216 466 15 45

www.hoover.com.tr • servis@hoover.com.tr

### ÜRETİCİ FİRMA:

CANDY HOOVER GROUP

Via Privata E. Fumagalli 20861 Brugherio (MB) - ITALY

Tel: 039.2086.1 • Fax: 039.2086.403

www.candy-group.com



## GARANTİ BELGESİ

### ANKASTRE OCAK

Ankastre ocak kullanma kılavuzunda gösterildiği şekilde kullanılması ve yetkili kıldığımız servis elemanları dışındaki şahıslar tarafından bakımı, onarımı veya başka bir nedenle müdahale edilmemiş olması şartıyla bütün parçaları dahil olmak üzere tamamı malzeme, işçilik ve üretim hatalarına karşı ürünün teslim tarihinden itibaren **3 ( ÜÇ ) YIL SÜRE İLE CANDY HOOVER EUROASIA A.Ş. TARAFINDAN GARANTİ EDİLMİŞTİR.**

Malın bütün parçaları dahil olmak üzere tamamı garanti kapsamındadır.

Malın ayıplı olduğunun anlaşılması durumunda tüketici, 6502 sayılı Tüketicinin Korunması Hakkında Kanununun 11 inci maddesinde yer alan;

a) Satılanı geri vermeye hazır olduğunu bildirerek sözleşmeden dönme,

b) Satılanı alıkoymuş ayıp oranında satış bedelinde indirim isteme,

c) Aşırı bir masraf gerektirmediği takdirde, bütün masrafları satıcıya ait olmak üzere satılanın ücretsiz onarılmasını istem,

ç) İmkân varsa, satılanın ayıpsız bir misli ile değiştirilmesini isteme, seçimlik haklarından birini kullanabilir.

Tüketicinin, Kanununun 11. maddesinde yer alan seçimlik haklarından ücretsiz onarım hakkını seçmesi durumunda satıcı; işçilik masrafı, değiştirilen parça bedeli ya da başka herhangi bir ad altında hiçbir ücret talep etmeksizin malın onarımını yapmak veya yaptırmakla yükümlüdür. Tüketici ücretsiz onarım hakkını üretici veya ithalatçıya karşı da kullanabilir. Satıcı, üretici ve ithalatçı tüketicinin bu hakkını kullanmasından müteselsilen sorumludur.

Tüketicinin, ücretsiz onarım hakkını kullanması halinde malın;

• Garanti süresi içinde tekrar arızalanması,

• Tamiri için gereken azami sürenin aşılması,

• Tamirinin mümkün olmadığı, yetkili servis istasyonu, satıcı, üretici veya ithalatçı tarafından bir raporla belirlenmesi durumlarında;

tüketici malın bedel iadesini alıp, ayıp oranında bedel indirimi veya imkân varsa malın ayıpsız misli ile değiştirilmesini satıcıdan talep edebilir. Satıcı, tüketicinin talebini reddetmez. Bu talebin yerine getirilmemesi durumunda satıcı, üretici ve ithalatçı müteselsilen sorumludur.

**Garanti uygulaması sırasında değiştirilen malın garanti süresi, satın alınan malın kalan garanti süresi ile sınırlıdır.**

Malın tamir süresi 20 iş gününü geçemez. Bu süre, garanti süresi içerisinde mala ilişkin arızanın yetkili servis istasyonuna veya satıcıya bildirim tarihinde, garanti süresi dışında ise malın yetkili servis istasyonuna teslim tarihinden itibaren başlar. Malın arızasının 10 iş günü içerisinde giderilememesi halinde, üretici veya ithalatçı; malın tüketicinin kullanımına tahsis etmek zorundadır. Malın garanti süresi içerisinde arızalanması durumunda, tamirde geçen süre garanti süresine eklenir.

Malın kullanma kılavuzunda yer alan hususlara aykırı kullanılmasından kaynaklanan arızalar garanti kapsamı dışındadır.

Tüketici, garantiden doğan haklarının kullanılması ile ilgili olarak çıkabilecek uyuşmazlıklarda yerleşim yerinin bulunduğu veya tüketici işleminin yapıldığı yerdeki Tüketici Hakem Heyetine veya Tüketici Mahkemesine başvurabilir.

**Garanti belgesinin tekemmül ettirilerek tüketiciye verilmesi ve bu yükümlülüğün yerine getirildiğinin ispatı satıcıya aittir.**

**Satılan mala ilişkin olarak düzenlenen faturalar garanti belgesi yerine geçmez.**

Satıcı tarafından bu Garanti Belgesinin verilmemesi durumunda, tüketici Gümrük ve Ticaret Bakanlığı Tüketicinin Korunması ve Piyasa Gözetimi Genel Müdürlüğüne başvurabilir.

### CANDY-HOOVER-EUROASIA EV GEREÇLERİ SAN VE TİC. A.Ş.

Genel Müdür:

Adres:

Tel - Fax:

Satıcı Firma (Kaşe ve İmza):

Model:.....

Bandrol ve Seri No:.....

Teslim Tarihi Yeri: .....

Fatura Tarihi No: .....

Satıcı Firma Ünvanı: .....

CANDY HOOVER EUROASIA EV  
GEREÇLERİ SAN. VE TİC. A.Ş.  
İçerenköy Mh. Hal Yolu Cd. Çayır Yolu Sk. No:11  
Sayar İş Merkezi Kat:7 PK:34752 Ataşehir / İSTANBUL  
Tel:0 (216) 466 42 42 Fax:0 (216) 466 15 45  
Yenikapı Vergi Dairesi:703 003 9546

Bu bölümü, ürünü aldığınız Yetkili Satıcı imzalayacak ve kaşeyecektir.

Bu garanti belgesi ile kesilen fatura garanti süresi boyunca garanti belgesi ile muhafaza edilmesi önerilir.



42828712 • A4 • 07.2022 • Rev\_A

#### **GB**

The manufacturer will not be responsible for any inaccuracy resulting from printing or transcript errors contained in this brochure. We reserve the right to carry out modifications to products as required, including the interests of consumption, without prejudice to the characteristics relating to safety or function.

#### **IT**

Il Produttore non si assume responsabilità per eventuali errori di stampa o errori di trascrizione all'interno di questa brochure. Ci riserviamo il diritto di apportare modifiche ai prodotti a seconda delle necessità, compresi gli interessi di consumo, senza influenza alcuna sulle caratteristiche relative a sicurezza o funzionamento.

#### **FR**

Le fabricant ne pourra être tenu pour responsable de toute inexactitude résultant d'erreurs d'impression ou de transcription contenues dans cette brochure. Nous nous réservons le droit d'apporter, le cas échéant, des modifications aux produits, y compris dans l'intérêt de la consommation et sans préjudice des caractéristiques relatives à la sécurité et aux fonctions.

#### **CZ**

Výrobce nezodpovídá za nepřesnosti vyplývající z případných chyb při tisku nebo překlepu v této brožuře. Vyhrazueme si právo provádět úpravy produktů podle potřeby, včetně oblasti spotřeby, aniž by byly dotčeny vlastnosti týkající se bezpečnosti nebo funkce.

#### **DE**

Der Hersteller haftet nicht für Ungenauigkeiten aufgrund von Fehlern bei Druck oder Niederschrift, die in dieser Broschüre enthalten sein können. Wir behalten uns das Recht vor, je nach Bedarf Veränderungen am Produkt vorzunehmen, einschließlich Belange des Verbrauchs, unbeschadet der Sicherheits- oder Funktionsmerkmale.

#### **TR**

Bu broşürde bulunan baskı veya yazım yanlışlarına bağlı oluşabilecek hatalardan üretici sorumlu değildir. Güvenlik veya işlevsellik özellikleri etki altında kalmaksızın, tüketicilerin menfaatleri dâhil olmak üzere, ürünlerimizde değişiklik yapma hakkımız saklıdır.