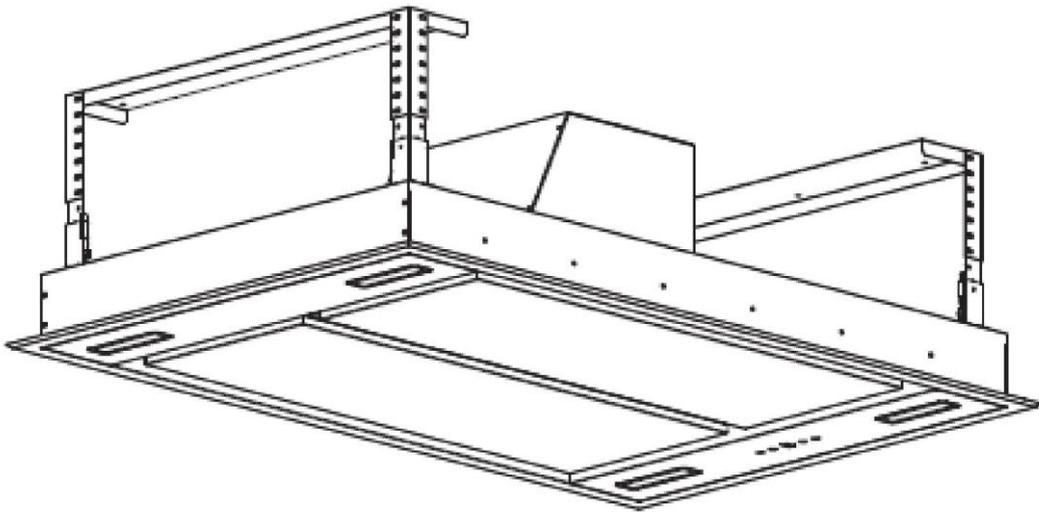


HDC110IN/1

Cooker Hood

Instruction Manual



ENGLISH(EN) -----	page 001
PORTUGUESE(PT)-----	page 018
DEUTSCH(DE) -----	Seite 039
NEDERLANDS(NL) -----	page 056
FRANÇAIS(FR)-----	page 073

Content

1.....	Safety instructions
2.....	Installation
3.....	Start using your cooker hood
4.....	Troubleshooting
5.....	Maintenance and cleaning
6.....	Environment protection

SAFETY INSTRUCTIONS

This manual explains the proper installation and use of your cooker hood, please read it carefully before using even if you are familiar with the product. The manual should be kept in a safe place for future reference.

Never to do:

- Do not try to use the cooker hood without the grease filters or if the filters are excessively greasy!
- Do not install above a cooker with a high level grill.
- Do not leave frying pans unattended during use because overheated fats or oils might catch fire.
- Never leave naked flames under the cooker hood.



- If the cooker hood is damaged, do not attempt to use.
- Do not flambé under the cooker hood.
- CAUTION: Accessible parts may become hot when used with cooking appliances.
- The minimum distance between the supporting surface for the cooking vessels on the hob and the lowest part of the cooker hood. (When the cooker hood is located above a gas appliance, this distance shall be at least 65 cm)
- The air must not be discharged into a flue that is used for exhausting fumes from appliances burning gas or other fuels. Range hoods and other cooking fume extractors may adversely affect the safe operation of appliances burning gas or other fuels (including those in other rooms) due to back flow of combustion gases. These gases can potentially result in carbon monoxide poisoning. After installation

of a range hood or other cooking fume extractor, the operation of open flued gas appliances should be tested by a competent person to ensure that back flow of combustion gases does not occur.



Always to do:

- Important! Always switch off the electricity supply at the mains during installation and maintenance such as light bulb replacement.
- The cooker hood must be installed in accordance with the installation instructions and all measurements followed.
- All installation work must be carried out by a competent person or qualified electrician.
- Please dispose of the packing material carefully. Children are vulnerable to it.
- Pay attention to the sharp edges inside the cooker hood especially during installation and cleaning.
- Make sure the ducting has no bends sharper than 90 degrees as this will reduce the efficiency of the cooker hood.
- Warning: Failure to install the screws or fixing device in accordance with these instructions may result in electrical hazards.
- Warning: Before obtaining access to terminals, all supply circuits must be disconnected.

Always to do:

- Always put lids on pots and pans when cooking on a gas cooker.
- When in extraction mode, air in the room is being removed by the cooker hood. Please make sure that proper ventilation measures are being observed. The cooker hood removes odours from room but not steam.
- There shall be adequate ventilation of the room when the cooker hood is used at the same time as appliances burning gas or other fuels.
- Cooker hood is for domestic use only.



- If the supply cord is damaged, it must be replaced by the manufacturer, its service agent or similarly qualified persons in order to avoid a hazard.
- This appliance can be used by children aged from 8 years and above and persons with reduced physical, sensory or mental capabilities or lack of experience and knowledge if they have been given supervision or instruction concerning use of the appliance in a safe way and understand the hazards involved. Children shall not play with the appliance. Cleaning and user maintenance shall not be made by children without supervision.



Always to do:

- **Caution:** The appliance and its accessible parts can become hot during operation. Be careful to avoid touching the heating elements. Children younger than 8 years old should stay away unless they are under permanent supervision.
- There shall be adequate ventilation of the room when the range hood is used at the same time as appliances burning gas or other fuels.
- There is a fire risk if cleaning is not carried out in accordance with the instructions.
- Regulations concerning the discharge of air have to be fulfilled.
- Clean your appliance periodically by following the method given in the chapter MAINTENANCE.
- For safety reason, please use only the same size of fixing or mounting screw which are recommended in this instruction manual.
- Regarding the details about the method and frequency of cleaning, please refer to maintenance and cleaning section in the instruction manual.
- Cleaning and user maintenance shall not be made by children without supervision.
- When the range hood and appliances supplied with energy other than electricity are simultaneously in operation, the negative pressure in the room must not exceed 4 Pa (4×10^{-5} bar).
- **WARNING:** Danger of fire: do not store items on the cooking surfaces.
- A steam cleaner is not to be used.
- **NEVER** try to extinguish a fire with water, but switch off the appliance and then cover flame e.g. with a lid or a fire blanket.

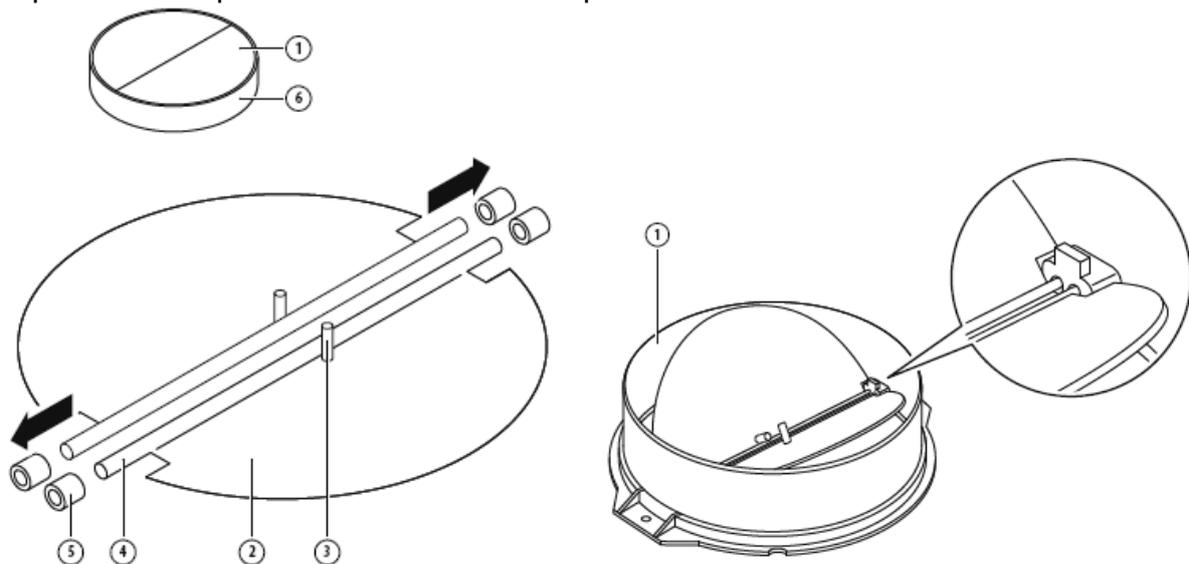
INSTALLATION (VENT OUTSIDE)

MOUNTING OF THE V-FLAP

If the cooker hood does not have an assembled V-flap 1, you should mount the half-parts to its body. The images only show an example of how to mount the V-flap, because the outlet may vary according to different models and configurations.

To mount the V-flap 1 you should:

- Mount two half-parts 2 into the body 6
- the pin 3 should be top oriented;
- the axis 4 should be inserted into the holes 5 on the body;
- repeat all the operations for the 2nd half-part

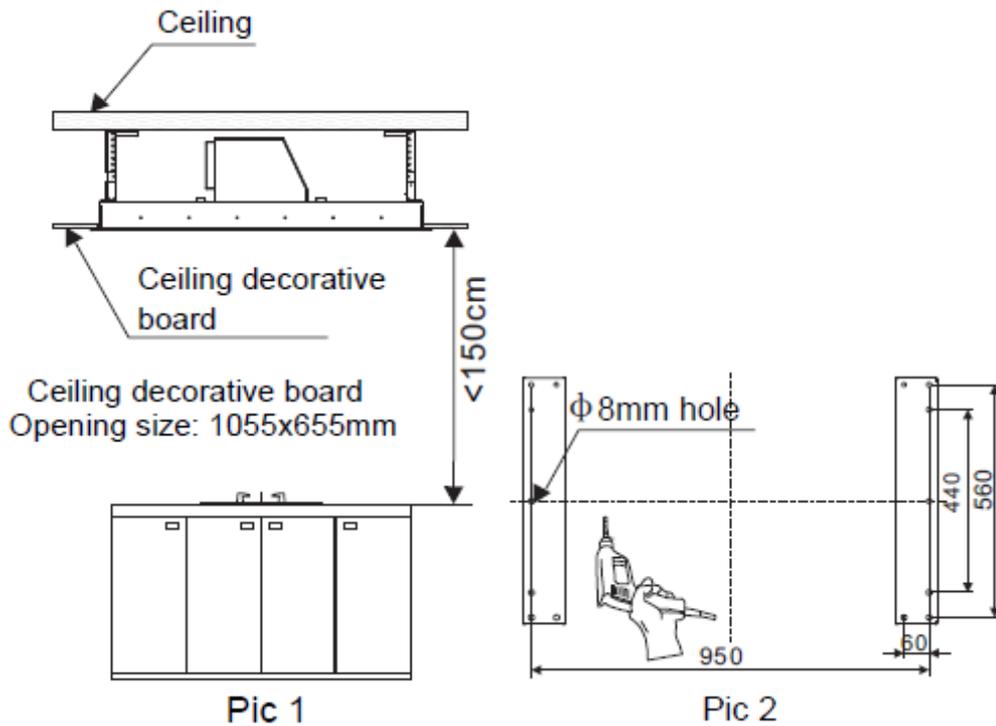


INSTALLATION

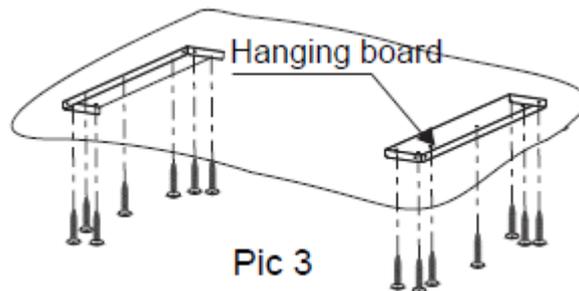
1. Before installation, turn the unit off and unplug it from the outlet.



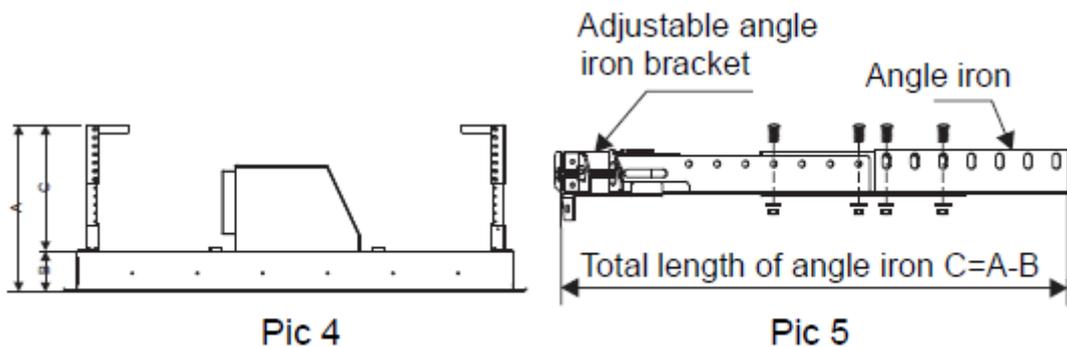
2. The cooker hood should not be placed at a distance of no more than 150cm from the cooking surface for the best performance. See pic 1.
3. The ceiling must can bear at least 120kg weight, and the thickness of the ceiling must be ≥ 30 mm.



4. According to the size shown on pic 2, drill 14pcs $\phi 8\text{mm}$ holes on the ceiling once the installation height is determined, 14pcs explode screws (or 14 pcs of ST6*40mm big flat screws + 14 pcs wall plugs) will be used to fix the two hanging board on the ceiling. See pic 3.

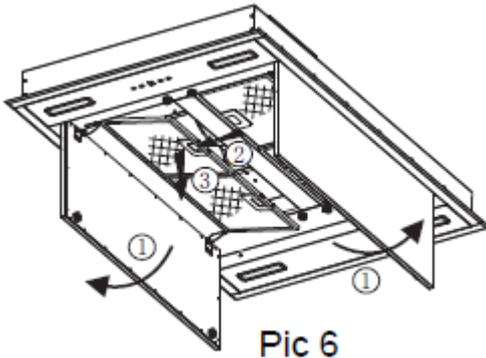


5. Calculate the length of the angle iron (see pic 4 & 5), then 32 pcs of M4*10 screws and M4 nut with gasket will be used to connect the angle iron into the adjustable angle iron bracket. (Make sure the overlap length of angle iron cannot less than 36mm)

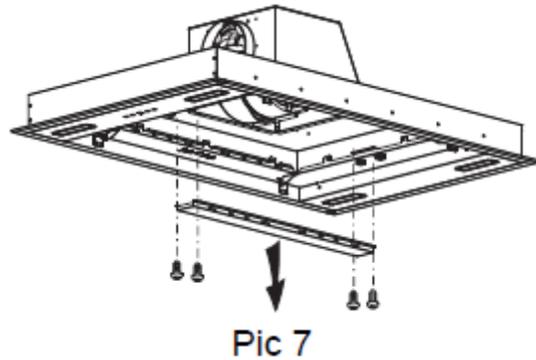


6. As pic 8 shown, choose the direction of the outlet ①/②/③/④
 - a. Refer to pic 6, open the decorative plate in order, and take out the filter.

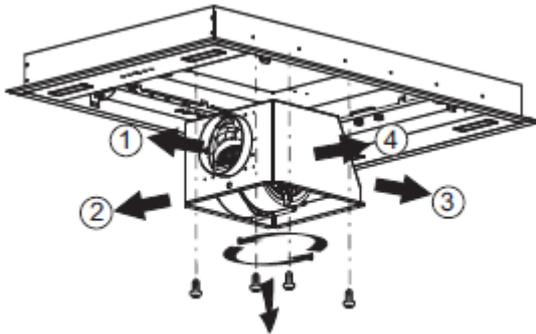
- b. Refer to pic 7, unscrew and take away the 4 pcs ST4*8mm screws that on the panel decorative strip.
- c. Unscrew the 8 pcs machine silk from the bottom of the cabinet housing and rotate it by 90°/180°/270° to choose the direction of the outlet, then screw the 8 pcs machine silk to fix the housing well;
- d. Install the panel decorative strip and filter well apply to the reverse order of a/b steps above. Meanwhile, install the expansion pipe to the outlet. See pic 9.



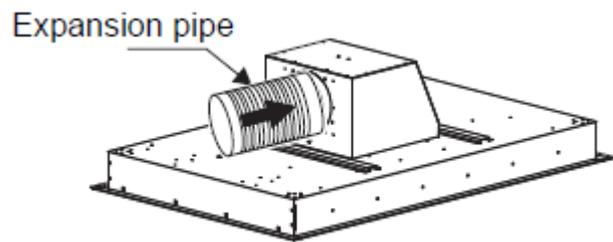
Pic 6



Pic 7

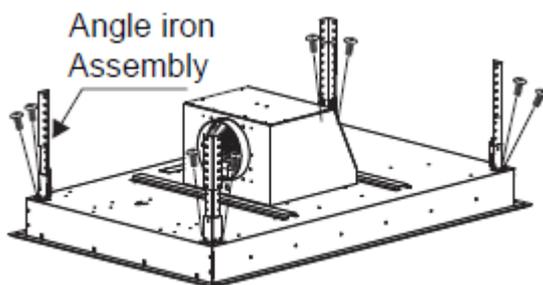


Pic 8

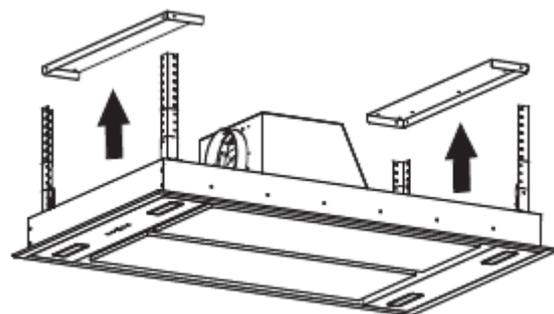


Pic 9

7. As pic 10 shown, connect the 4 adjustable angle iron bracket with the housing by 8pcs M4*12mm machine silk screw, next refer to pic 11/12, lift up the housing, use 8pcs M4*12mm machine silk screw and M4 nut with gasket to fix the housing onto the 2 hanging board, meanwhile, pull the expansion pipe outside.(Note: The expansion pipe must be fixed on the housing firmly.)



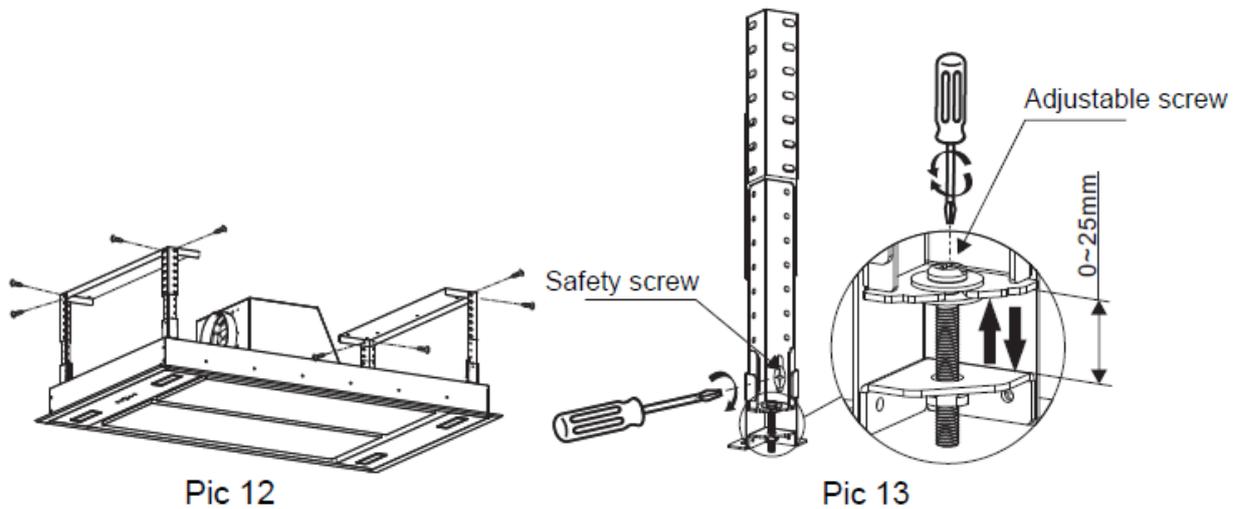
Pic 10



Pic 11

8. After installing the housing to the hanging board, use cross screwdriver or straight screwdriver to adjust the screw of the angle iron bracket, direct the housing level position and height till it is suitable. Adjust method: Adjust rang of the angle iron bracket is 0-25mm, clockwise twist the screw of the 4 angle iron bracket, slightly

move the housing upwards; meanwhile, anticlockwise twist the screw of the angle iron bracket, slightly move the housing downwards. Use the cross screwdriver to screw the safety screw tightly after the level position and height is suitable. See pic 13.



HINTS FOR EXHAUST DUCT INSTALLATION

The following rules must be strictly followed to obtain optimal air extraction:

- Keep expansion pipe short and straight.
- Do not reduce the size or restrict the expansion pipe.
- When using the expansion pipe always install the pipe pulled taut to minimize pressure loss.
- Failure to observe these basic instructions will reduce the performance and increase noise levels of the cooker hood.
- Any installation work must be carried out by a qualified electrician or competent person.
- Do not connect the ducting system of the hood to any existing ventilation system which is being used for any other appliance, such as warmer tube, gas tube, hot wind tube.
- The angle of the bend of the expansion pipe should not be less than 120°; you must direct the pipe horizontally, or, alternatively, the pipe should go up from the initial point and should be led to an outer wall.
- After the installation, make sure that the cooker hood is level to avoid grease collection at one end.
- Ensure the expansion pipe selected for installation complies with relevant standards and is fire retardant.

<p>WARNING:</p> 	<ul style="list-style-type: none"> ➤ For safety reason, please use only the same size of fixing or mounting screws which are recommended in this instruction manual. ➤ Failure to install the screws or fixing device in accordance with these instructions may result in electrical hazards.
--	---

Controls

Several button on the controls panel which perform different function separately (refer to photo 1)

When you initially connect your hood to the electrical supply. The LCD display backlight will turn on. The backlight will be turn off after 30 seconds if no buttons are pressed.

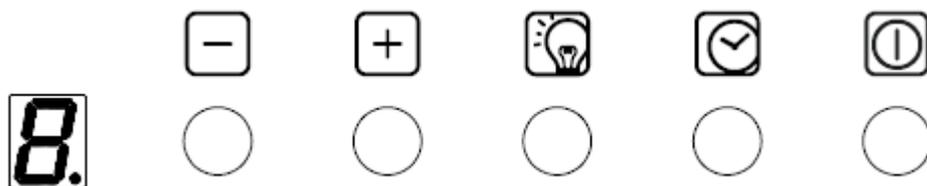


Photo 1

Light control



·Press the light button once to turn the cooker hood light on. Press the light button again to turn the cooker hood light off. The lighting button it is controlled separately and will not affect any other functions.

Power control



·Press the power button once, power indicator light on and the cooker hood run at Medium 2 speed, with moto speed button and lighting button light on. Press the Power button again, the cooker hood will be power off and the indicator light off together, the cooker hood in standby mode.

Speed increasing selection



·The speed function totally with 4 speed selection. Low, Medium2, Medium1, High speed. The speed symbol will appear from LCD display as: "1", "2", "3", "4".



·Press the  button, the indicator light on. The motor run at low speed. "1" will appear on LCD display.



·When the motor run at low speed, you may press the  button shift motor speed to medium2, "2" speed symbol will appear on LCD display.

·When the motor run at medium2 speed, you may press the  button shift motor speed to medium1, "3" speed symbol will appear on LCD display.

When the motor run at medium1 speed, you may press the  button shift motor speed to high, "4" speed symbol will appear on LCD display.

When the motor run at high speed, press the  button, the motor keep working at high speed mode.

·When the hood on shift working, the motor speed run at High and Medium1 speed cumulative work for 7 minutes it will automatically shift to speed medium2.

Speed decreasing selection

·Press the  button once, the speed level will be decreased to a lower one, the speed level no. will appear on LCD display. Press there  repeated till the speed level to "0", the cooker hood will be switch off and the indicator light off together.

Timer control

·When the cooker hood in working mode, included motor speed run and light turn on, you are able to setting the timer.

Before setting the timer, keep the hoods at the speed you would like it be, press the timer button. Timer delay for 5 minutes, "5" appear on LCD display. The no. will be decrease to "4,3,2" in every minute. When "0" appear on the display, the power will be shut off. Motor stop working and the lighting will be turn off at the same time.

·After setting the timer, the timer will recalculate if the motor speed shifted.

Connecting the remote control

·A New remote control has to establish a new connection to the cooker hood when used for first time. One remote control could possibly control several cooker hoods at the same time.

Connection process between remote control and cooker hood



·Press  for 5 seconds within 15 seconds of cooker hood plug in, the indicators light begin flashing, the cooker hood is in connection mode, press any bottom on remote control to confirm the connection. The connection process finished and the remote control can be used for speed selection, lighting and timer setting.

·If you want to connect again, you will need to clear the code that has been set up previously.



·To clear the code, press  for 5 seconds, the indicators light begin

flashing, the cooker is in connection mode. Then, press  again for 5 seconds, the previous connection code is cleared.

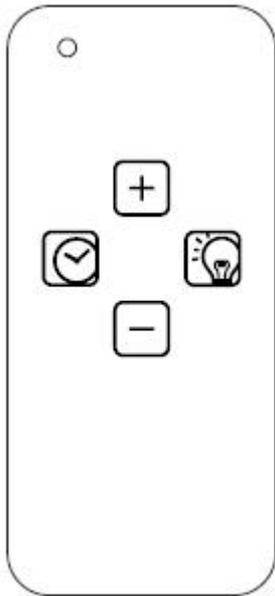
·When the previous code has been cleared, the cooker hood back to standby



mode, press  for 5 seconds, the indicate light flashing from one button to another ,the cooker hood it in connection mode, then, press any bottom on remote control to confirm the connection.

·The remote control can set up the turning on/ increasing motor speed, turning off/Decreasing motor speed, timer on/off and light on/off functions.

Remote control



Lighting



Press button once, the light is on, press again, the light is off. The lighting button it is controlled separately and will not affect any other functions.

Turning on/ Increasing motor speed



1st press, Low speed

2nd press, Medium 2 speed

3rd press Medium 1 speed

4th press High speed

·When the hood on shift working, the motor speed run at High and Medium1 speed cumulative work for 7 minutes it will automatically shift to speed medium2.

Turning off/Decreasing motor speed



Press the button and the motor begins shift to a lower speed and the LCD screen display the speed level. Repeating press the button, it keeps on decreasing the motor speed to till the cooker hood turning off.

Timer



Press the button to set up the timer on/off function.

·When the cooker hood in working mode, included motor speed run and light turn on, you are able to setting the timer. Set timer delay for 5 minutes. After 5 minutes, the power will be shut off. Motor stop working and the lighting will be turn off at the same time.

·After setting the timer, the timer will recalculate if the motor speed shifted.

RC remote controler-radio equipment intentionally emitting radio waves

Parameter	Specifications
Wireless Standard	ETSI EN 300 220-2 V3.1.1
Frequency Range	433.92 MHz \pm 50 kHz
Max <u>Trasmit</u> Power	-27.21dbm
Minimum Receiving Sensitivity	/
Channel	1

TROUBLESHOOTING

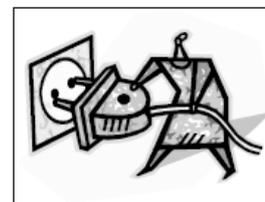
Fault	Possible Cause	Solution
Light on, but motor does not work	Fan switch turned off	Select a fan switch position.
	Fan switch failed	Contact service center.
	Motor failed	Contact service center.
Light does not work, motor does not work	House fuses blown	Reset/Replace fuses.
	Mains power cable is loose or disconnected	Refit mains power cable to power outlet. Switch power outlet on.
Oil leakage	One way valve and the outlet are not tightly sealed	Take down the one way valve and seal with sealant.
	Leakage from the connection of chimney and cover	Take chimney down and seal.
Lights not working	Broken or faulty bulbs	Replace bulbs as per this instruction.
Insufficient suction	The distance between the cooker hood and the gas top is too far	Refit the cooker hood to the correct distance.
The Cooker hood inclines	The fixing screw is not tight enough	Tighten the hanging screw and make it horizontal.

NOTE:
 Any electrical repairs to this appliance must conform to your local, state and federal laws. Please contact the service centre if in any doubt before undertaking any of the above. Always disconnect the unit from the power source when opening the unit.

MAINTENANCE AND CLEANING

Caution:

- Before maintenance or cleaning is carried out, the cooker hood should be disconnected from the mains power supply. Ensure that the cooker hood is switched off at the wall socket and the plug removed.



- External surfaces are susceptible to scratches and abrasions, so follow the cleaning instructions to ensure the best possible result is achieved without damage.

GENERAL

Cleaning and maintenance should be carried out with the appliance cold especially when cleaning. Avoid leaving alkaline or acid substances (lemon juice, vinegar etc.) on the surfaces.

STAINLESS STEEL

The stainless steel must be cleaned regularly (e.g. weekly) to ensure a long life expectancy. Dry with a clean soft cloth. A specialized stainless steel cleaning fluid may be used.

NOTE:

Ensure that wiping is done along with the grain of the stainless steel to prevent any unsightly crisscross scratching patterns from appearing.

CONTROL PANEL SURFACE

The inlay control panel can be cleaned using warm soapy water. Ensure the cloth is clean and well wrung before cleaning. Use a dry soft cloth to remove any excess moisture left after cleaning.

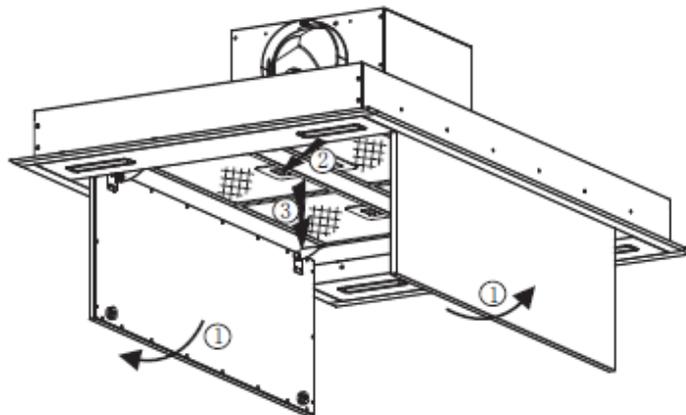
Important

Using neutral detergents and avoid using harsh cleaning chemicals, strong household detergents or products containing abrasives, as this will affect the appearance of the appliance and potentially remove any printing of artwork on the control panel and will void manufacturer's warranty.

GREASE MESH FILTERS

The mesh filters can be cleaned by hand. Soak them for about 3 minutes in water with a mild detergent and then brush it gently with a soft brush. Do not apply too much pressure so as to avoid any damage to it. (Leave to dry naturally out of direct sun light)

Filters should be washed separately to crockery and kitchen utensils. It is advisable not to use rinse aid.



INSTALLING GREASE MESH FILTERS

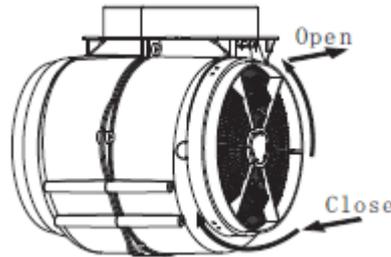
- To install filters for the following four steps:
 - Angle the filter into the slots at the back of the hood.
 - Push the button on the handle of the filter.
 - Release the handle once the filter fits into a resting position.
 - Repeat to install all filters.

CARBON FILTER- not supplied

Activated carbon filter can be used to trap odors. Normally the activated carbon filter should be changed every 3 to 6 months according to your cooking habits. The installation procedure of activated carbon filter is as below:

Attention for outdoor ventilation of cooker hood: If you choose ② or ④ air direction, you need to remove the filter and panel decorative strip according to steps “a” and “b” in step 6 of INSTALLATION to install and remove carbon filters.

1. Before installing or replacing the carbon filters, disconnect the mains power to the unit.
2. Press the filter lock and remove the mesh filter.
3. Turn the carbon filter on both sides of the motor anti-clockwise. Replace the carbon filters with the new carbon filters.
4. Replace the mesh filter.
5. Connect the power supply to the wall socket.



NOTE:

- Make sure the filter is securely locked. Otherwise, it would loosen and cause danger.
- When activated carbon filter attached, the suction power will be lowered.

BULB REPLACEMENT

<p>Important :</p> 	<ul style="list-style-type: none"> ✧ The bulb must be replaced by the manufacturer, its service agent or similarly qualified persons. ✧ Always switch off the electricity supply before carrying out any operations on the appliance. When handling bulb, make sure it has completely cooled down before any direct contact with hands. ✧ When handling bulbs hold with a cloth or gloves to ensure perspiration does not come in contact with the bulb as this can reduce the life of the bulb.
--	---

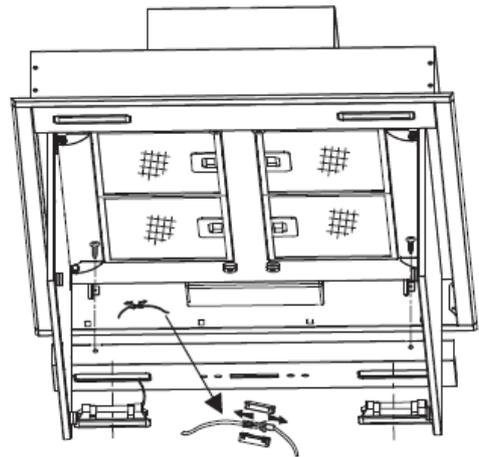
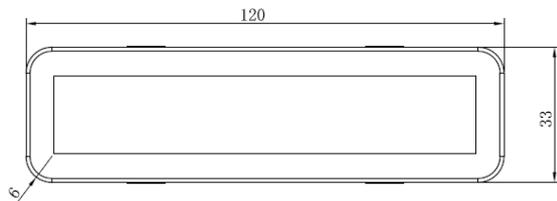
Note:

- Before changing the lights, make sure that the appliance is turned off and unplugged.
- Protect against danger when changing lights, such as wearing gloves.

Changing the light

Use a screwdriver to carefully pry the lamp along the edge to remove it. Then slowly pull out the lamp wire for replacement.

- ILCOS D code for this lamp is: **DSS-1.5/65-S-120/33**
- LED modules –rectangle lamp
- Max wattage: 4×1.5 W
- Voltage range: DC 12V
- Dimensions:



ENVIRONMENTAL PROTECTION:



This appliance is labelled in accordance with European Directive 2012/19/EU on Waste Electrical and Electronic Equipment Regulations 2013 regarding electric and electronic appliances (WEEE). The WEEE contain both polluting substances (that can have a negative effect on the environment) and base elements (that can be reused). It is important that the WEEE undergo specific treatments to correctly remove and dispose of the pollutants and recover all the materials. Individuals can play an important role in ensuring that the WEEE do not become an environmental problem; it is essential to follow a few basic rules:

- the WEEE should not be treated as domestic waste;
- the WEEE should be taken to dedicated collection areas managed by the town council or a registered company.

In many countries, domestic collections may be available for large WEEEs. When you buy a new appliance, the old one can be returned to the vendor who must accept it free of charge as a one-off, as long as the appliance is of an equivalent type and has the same functions as the purchased appliance.

NOTE:

The following shows how to reduce total environmental impact (e.g. energy use) of the cooking process).

- (1) Install the cooker hood in a proper place where there is efficient ventilation.
- (2) Clean the cooker hood regularly so as not to block the airway.
- (3) Remember to switch off the cooker hood light after cooking.
- (4) Remember to switch off the cooker hood after cooking.

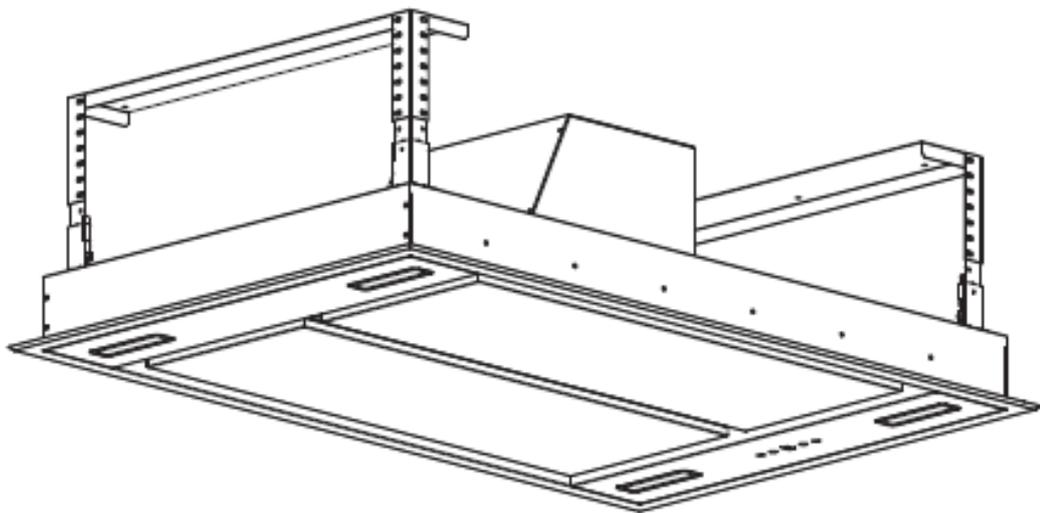
INFORMATION FOR DISMANTLING

Do not dismantle the appliance in a way which is not shown in the user manual. The appliance could not be dismantled by user. At the end of life, the appliance should not be disposed of with household waste. Check with you Local Authority or retainer for recycling advice.

HDC110IN/1

Exaustor

Manual de instruções



Índice

1.....	Instruções de segurança
2.....	Instalação
3.....	Começar a usar o seu exaustor
4.....	Resolução de problemas
5.....	Manutenção e limpeza
6.....	Proteção ambiente

INSTRUÇÕES DE SEGURANÇA

Este manual explica a instalação e a utilização correta do seu exaustor, leia-o atentamente antes de usar o produto, mesmo que já esteja familiarizado com o mesmo. O manual deve ser mantido num local seguro para referência futura.

O que nunca deve fazer:

- Nunca tente usar o exaustor sem os filtros de gordura ou se os filtros estiverem demasiado engordurados!
- Não instale sobre um fogão com um grelhador muito elevado.
- Não deixe frigideiras em uso sem supervisão porque gorduras ou óleos sobreaquecidos podem incendiar-se.
- Nunca deixe chamas desprotegidas debaixo do exaustor.



- Se o exaustor estiver danificado, não tente utilizá-lo.
- Não faça pratos flambé debaixo do exaustor.
- **CUIDADO:** As peças acessíveis podem tornar-se quentes quando usadas com aparelhos para cozinhar.
- A distância mínima entre a superfície de suporte e os recipientes para cozinhar no fogão e na parte mais baixa do exaustor. (Quando o exaustor estiver localizado sobre um aparelho a gás, esta distância deve ser de pelo menos 65 cm.)
- O ar não deve ser descarregado num cano de chaminé usado para evacuar fumos de eletrodomésticos que



utilizem gás ou outros combustíveis.

O que deve fazer sempre:

- **Importante!** Desligue sempre a fonte de alimentação na fonte durante instalação e manutenção como, por exemplo, quando troca uma lâmpada.
- O exaustor tem de ser instalado em conformidade com as instruções de instalação e deve cumprir todas as medições indicadas.
- Todo o trabalho de instalação tem de ser realizado por uma pessoa competente ou por um electricista qualificado.
- Elimine o material da embalagem cuidadosamente. As crianças são vulneráveis a este material.
- Preste atenção às extremidades aguçadas no interior do exaustor durante a instalação e limpeza.
- Quando o exaustor estiver colocado por cima de um aparelho a gás, a distância mínima entre a superfície de apoio para os recipientes para cozinhar no fogão e a parte mais baixa do exaustor tem de ser:
Fogões a gás: 75 cm
Fogões elétricos: 65 cm
Fogões a óleo ou carvão: 75 cm
- Certifique-se de que a canalização não tem dobras com um ângulo mais apertado que 90 graus uma vez que isto reduz a eficiência do exaustor.
- **Aviso:** Se os parafusos ou o dispositivo de fixação não forem montados de acordo com estas instruções, podem ocorrer riscos elétricos.

O que deve fazer sempre:

- Coloque sempre tampas nos tachos e panelas quando estiver a cozinhar num fogão a gás.
- Quando no modo de extração, o ar na divisão está a ser removido pelo exaustor. Certifique-se de que estão a ser cumpridas as medidas de ventilação apropriadas. O exaustor remove odores da divisão mas não o vapor.
- O exaustor destina-se apenas a uso doméstico.



- Se o cabo de alimentação estiver danificado, este tem de ser substituído pelo fabricante, pelo agente de serviço ou por pessoas igualmente qualificadas de forma a evitar o perigo.
- Este aparelho pode ser utilizado por crianças de idade igual ou superior a 8 anos e por pessoas com capacidades físicas, sensoriais ou mentais reduzidas ou falta de experiência e conhecimento, caso lhes tenha sido fornecida supervisão ou instruções relativas à utilização do aparelho de forma segura e desde que compreendam os perigos envolvidos. As crianças não devem brincar com o aparelho. A limpeza e manutenção pelo utilizador não deve ser realizada por crianças sem supervisão.



- **Aviso:** Antes de obter acesso a terminais, todos os circuitos de alimentação elétrica têm de estar desligados.

O que deve fazer sempre:

- **Cuidado:** O aparelho e as suas peças acessíveis podem ficar quentes durante o funcionamento. Tenha o cuidado de evitar tocar nos elementos de aquecimento. Crianças com menos de 8 anos devem manter-se afastadas a menos que estejam sob constante supervisão.
- Deverá existir uma ventilação adequada da divisão quando o exaustor estiver a ser usado ao mesmo tempo que aparelhos que funcionam a gás ou outros combustíveis.
- Existe o risco de incêndio se a limpeza não for realizada de acordo com as instruções.
- Os regulamentos referentes à descarga de ar têm de ser acatados.
- Limpe o seu aparelho periodicamente seguindo o método fornecido no capítulo MANUTENÇÃO.
- Por motivos de segurança, use apenas o mesmo tamanho de parafuso de montagem ou fixação recomendado neste manual de instruções.
- Em relação a dados sobre o método e sobre a frequência de limpeza, consulte a secção de manutenção e limpeza no manual de instruções.
- A limpeza e a manutenção pelo utilizador não devem ser realizadas por crianças sem supervisão.
- Quando o exaustor e aparelhos com fornecimento de energia que não eletricidade estiverem simultaneamente em funcionamento,

a pressão negativa na divisão não deve exceder 4 Pa (4×10^{-5} bar).

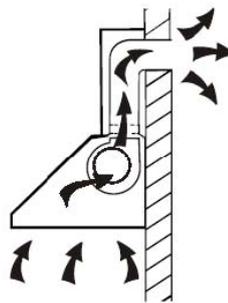


Para receber uma cópia da declaração de conformidade, contacte o fabricante através do website em: www.candy-group.com.

INSTALAÇÃO (VENTILAÇÃO EXTERIOR)

Se tiver uma saída para o exterior, o seu exaustor pode ser ligado como apresentado na imagem a seguir através de um tubo de extração (tubo flexível ou material não inflamável, esmalte ou alumínio com um diâmetro interior de 150/120mm).

1. Antes de realizar a instalação, d



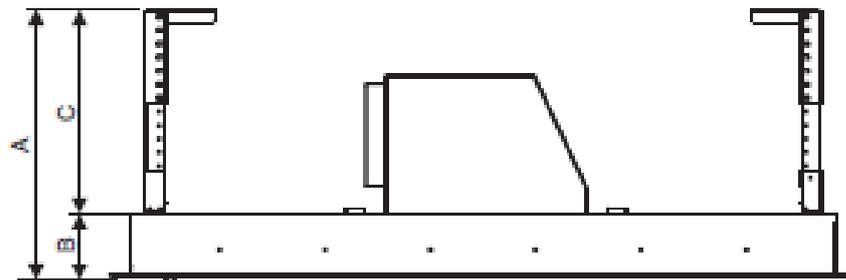
retire a ficha da tomada.

2. O exaustor não deve ser colocado a uma distância de mais de 150 cm de um fogão elétrico ou a gás para o

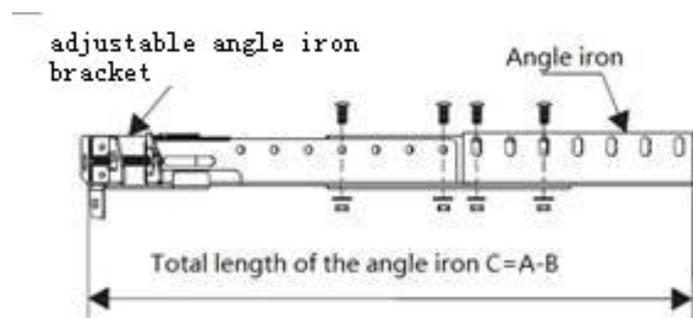


melhor resultado. Consultar a figura 1.

3. O teto tem de poder suportar de pelo menos 120 KG, e deve ter uma espessura ≥ 30 MM.

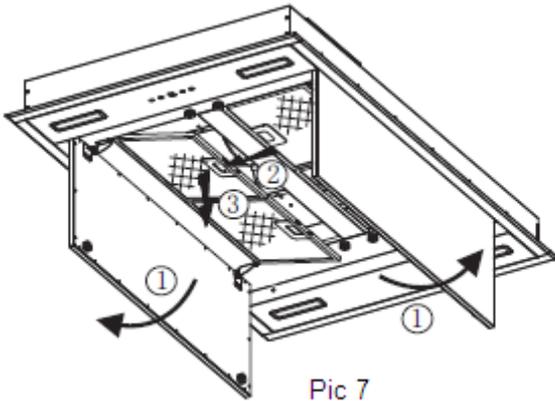


Pic 4

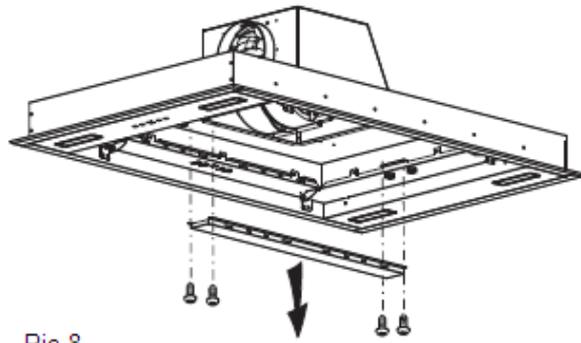


PIC-5

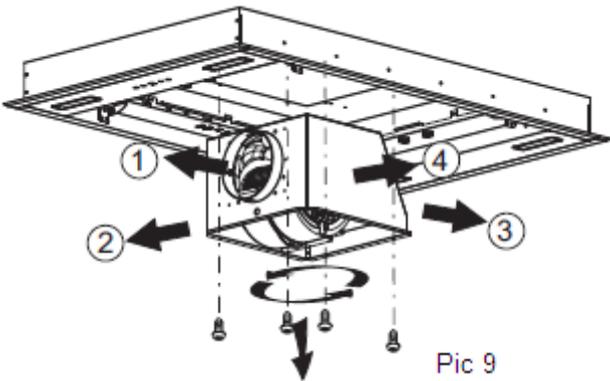
6. Consulte a fig. 6, utilize 4 parafusos ST4*8 mm para fixar a saída ao alojamento do exaustor;
7. Em seguida, em conformidade com a fig. 9, escolha a direção da saída ①/②/③/④
 - a. Consulte a fig. 7, abra a placa decorativa para poder remover o filtro.
 - b. Consulte a fig. 8, desaparafuse e retire os 4 parafusos ST4*8 mm existentes na tira decorativa do painel.
 - c. Desaparafuse os 8 parafusos de seda para máquinas do fundo da armação e rode-os 90°/180°/270° para escolher a direção da saída e, em seguida, aperte os 8 parafusos novamente para fixar bem a armação;
 - d. Instale corretamente a tira decorativa do painel e o filtro na ordem contrária aos passos a/b anteriores, e depois instale o tubo de expansão na saída (consultar a fig. 10).



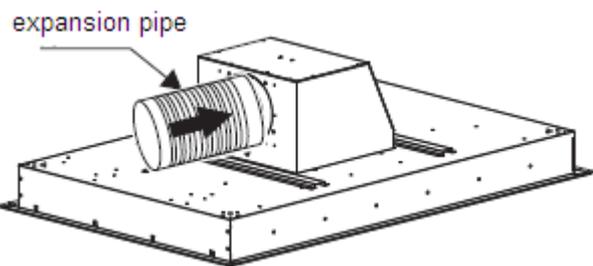
Pic 7



Pic 8

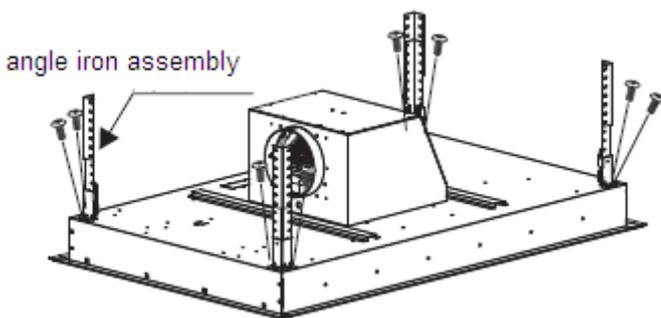


Pic 9

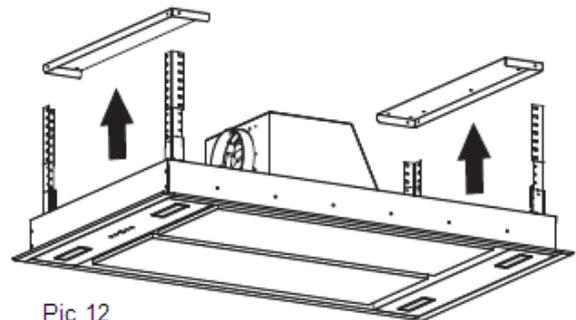


Pic 10

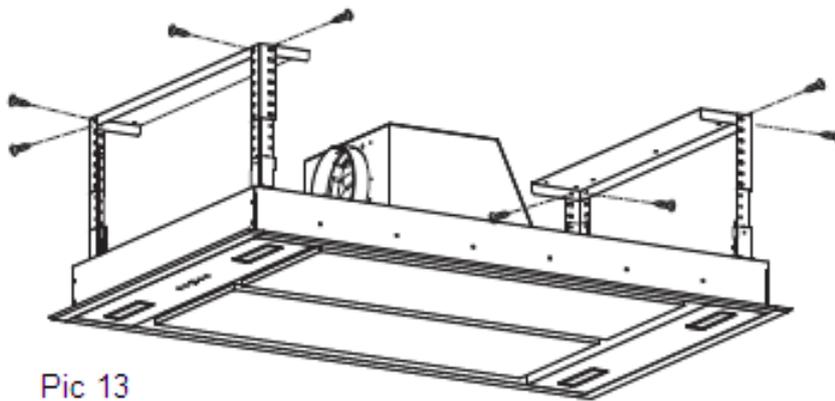
7. Conforme apresentado na fig. 11, ligue as 4 unidades de código de ângulo ajustáveis ao alojamento usando 8 parafusos de seda para máquinas M4*12 mm; consulte em seguida a fig. 12/13, levantando a armação, e usando 8 parafusos de seda para máquinas M4*12 mm e quatro porcas com arruelas M4 para fixar o alojamento às 2 armações, puxando entretanto o tubo de expansão para fora. (Nota: o tubo de expansão tem de ser fixado firmemente na armação.)



Pic 11

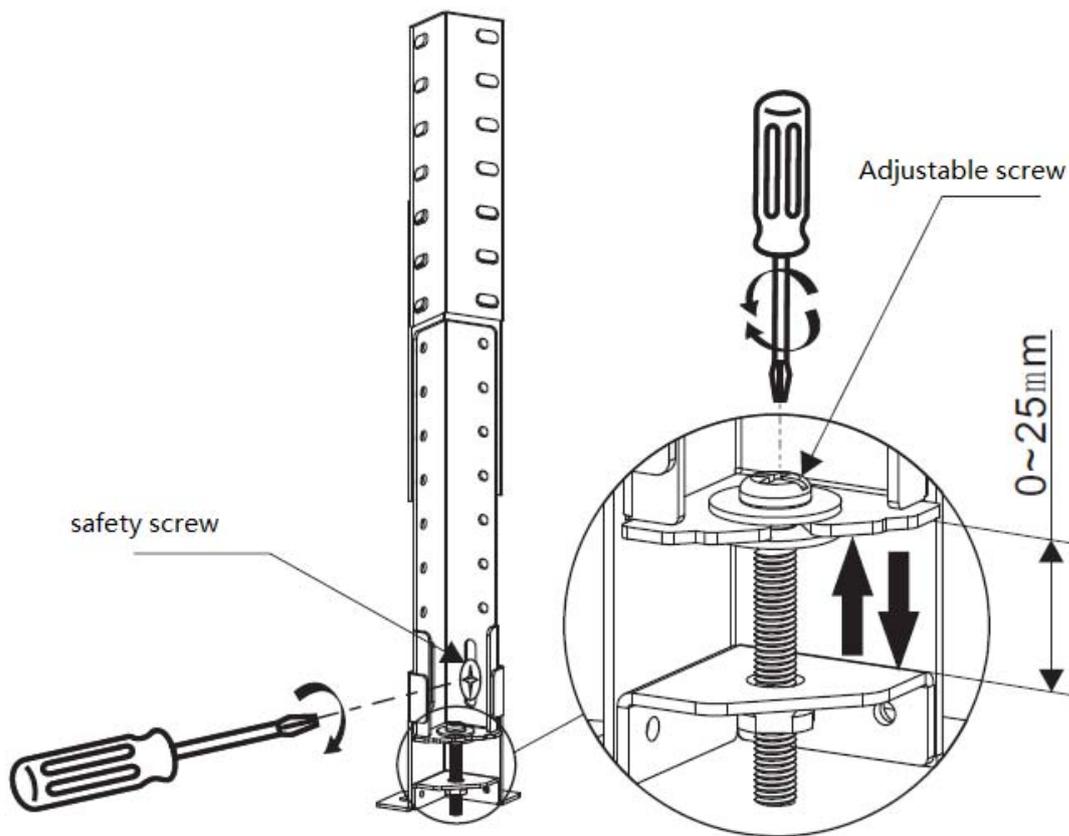


Pic 12



Pic 13

8. Depois de instalar o alojamento na armação, utilize uma chave Philips ou de fendas para ajustar o parafuso do suporte da cantoneira de ferro, oriente o alojamento horizontalmente e de acordo com a altura necessária. Método de ajuste: O intervalo de ajuste do suporte da cantoneira de ferro é de 0-25 mm; rodar o parafuso das 4 cantoneiras de ferro no sentido dos ponteiros do relógio, movimenta ligeiramente o alojamento para cima; ao mesmo tempo, rodar o parafuso no sentido contrário aos ponteiros do relógio no suporte da cantoneira de ferro, movimenta ligeiramente o alojamento para baixo. Utilize a chave de fendas Philips para apertar bem o parafuso de segurança depois de alcançada uma posição e uma altura apropriada. (Consultar a fig. 14)



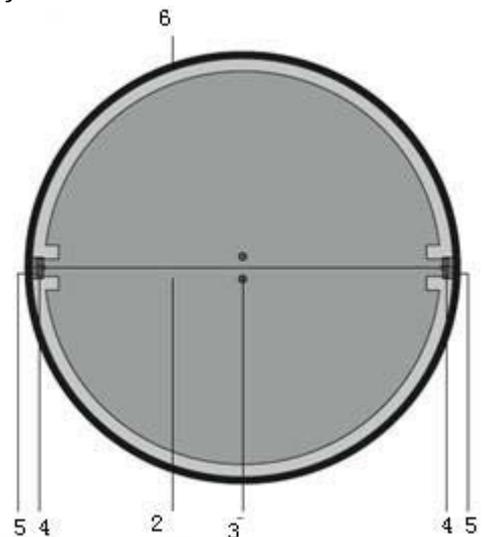
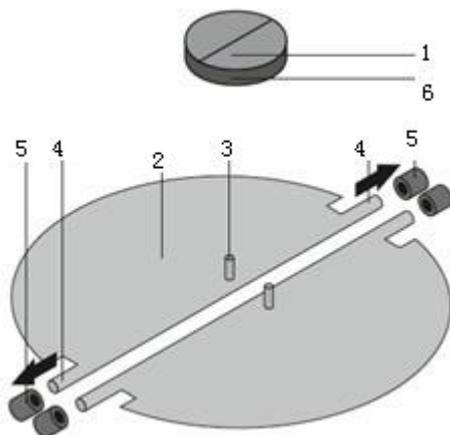
Pic 14

MONTAGEM DA UNIDADE DE ALETAS (opcional)

Se o exaustor não tiver uma unidade de aletas 1 montada, deve montar as metades na sua estrutura.

Para montar a unidade de aletas 1 deverá:

- montar duas metades 2 na armação 6;
- um pino 3 deve estar orientado para o topo;
- o eixo 4 deve ser inserido nos orifícios 5 na armação;
- repetir todas as operações para a 2ª metade.



DICAS PARA INSTALAÇÃO DA CONDOTA DE EXAUSTÃO

As seguintes regras devem ser estritamente seguidas para obter uma extração de ar ideal:

- Mantenha o tubo de expansão curto e direito.
- Não reduza o tamanho nem restrinja o tubo de expansão.
- Quando utilizar o tubo de expansão instale sempre o tubo esticado para minimizar perdas de pressão.
- O não cumprimento destas instruções básicas irá reduzir o desempenho e aumentar os níveis de ruído do exaustor.
- Qualquer trabalho de instalação deve ser efetuado por um electricista qualificado ou pessoa competente.
- Não ligue o sistema de condutas do exaustor a qualquer sistema de ventilação existente que esteja a ser utilizado para qualquer outro aparelho, tal como um tubo de aquecimento, tubo de gás, tubo de vento quente.
- O ângulo de curvatura do tubo de expansão não pode ser inferior a 120°; deve orientar o tubo horizontalmente ou, em alternativa, o tubo deve ir desde o ponto inicial e deve estar dirigido para uma parede externa.
- Depois da instalação, certifique-se de que o exaustor está nivelado para evitar a recolha de gordura no final.
- Certifique-se de que o tubo de expansão selecionado para instalação está em conformidade com as normas relevantes e é anti-incendio.

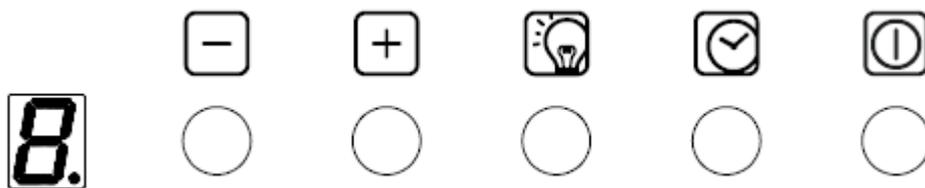
<p>AVISO:</p> 	<ul style="list-style-type: none">➤ Por motivos de segurança, use apenas o mesmo tamanho de parafuso de montagem ou fixação recomendado neste manual de instruções.➤ Se os parafusos ou o dispositivo de fixação não forem montados de acordo com estas instruções, podem ocorrer riscos elétricos.
---	--

Começar a utilizar o exaustor

Ecrã LED com controlo tátil

Diversos botões no painel de controlo realizam diferentes funções separadamente (consultar foto a seguir).

Ao conectar o exaustor pela primeira vez à alimentação elétrica, a retroiluminação do visor LCD acende-se. A retroiluminação apaga-se após 30 segundos se nenhum botão for premido.



Controlo da luz



· Prima o botão da luz uma vez para acender a luz do exaustor. Prima o botão da luz novamente para apagar a luz do exaustor. O botão da luz é controlado separadamente e não afeta as outras funções.

Controlo da alimentação



· Prima o botão de alimentação uma vez, a luz indicadora de alimentação acende-se e o exaustor funciona à velocidade Média 2, com o botão de velocidade do motor e o botão de iluminação acesos. Prima o botão de alimentação novamente, o exaustor desliga e a luz indicadora apaga-se simultaneamente, ficando o exaustor no modo de espera.

Seleção de aumento da velocidade



· É possível seleccionar 4 velocidades diferentes. Velocidade Baixa, Média 2, Média 1 e Alta. O símbolo da velocidade aparecerá no visor LCD como: "1" , " 2" , " 3" , " 4" .



· Prima o botão  , a luz indicadora acende-se. O motor roda à baixa velocidade. Aparece "1" no visor LCD.

· Quando o motor estiver a funcionar a baixa velocidade, é possível premir o



botão  de mudança da velocidade do motor para média 2, o símbolo de velocidade "2" aparecerá no visor LCD.

· Quando o motor estiver a funcionar à velocidade média 2, é possível premir o



botão de mudança da velocidade do motor para média 1, o símbolo de velocidade "3" aparecerá no visor LCD.

Quando o motor estiver a funcionar à velocidade média 1, é possível premir o



botão de mudança da velocidade do motor para alta, o símbolo de velocidade "4" aparecerá no visor LCD.

Quando o motor estiver a funcionar à velocidade alta, prima o botão , o motor continua a funcionar no modo de velocidade alta.

· Quando o exaustor estiver a funcionar com o motor a velocidade alta e média 1, depois de 7 minutos de funcionamento, a velocidade passa automaticamente para média 2.

Seleção de diminuição da velocidade



· Prima o botão  uma vez, o nível de velocidade diminuirá para uma mais baixa, o número do nível de velocidade aparecerá no visor LCD. Prima o

botão  repetidamente até o nível de velocidade chegar a "0", o exaustor será desligado e a luz apagar-se-á simultaneamente.

Controlo do temporizador



· Quando o exaustor está no modo de trabalho, com o motor a funcionar e a luz acesa, é possível ajustar o temporizador.

Antes de ajustar o temporizador, coloque o exaustor na velocidade desejada e prima o botão do temporizador. Ajuste do temporizador por 5 minutos, "5" aparece no visor LCD. O número diminuirá para "4, 3, 2" a cada minuto. Quando aparecer "0" no visor, a alimentação será desligada. O motor para de trabalhar e a luz apaga-se simultaneamente.

· Após o ajuste do temporizador, este recalculará se a velocidade do motor mudou.

Conexão do comando à distância

· Um comando à distância novo precisa estabelecer uma nova conexão com o exaustor quando usado pela primeira vez. Um comando à distância pode controlar vários exaustores ao mesmo tempo.

Processo de conexão entre o comando à distância e o exaustor

· Prima  por 5 segundos no espaço de 15 segundos após inserir a ficha do exaustor, a luz indicadora começa a piscar, o exaustor está no modo de conexão, prima qualquer botão no comando à distância para confirmar a conexão. Concluído o processo de conexão, o comando à distância pode ser usado para selecionar a velocidade, acender a luz e ajustar o temporizador.

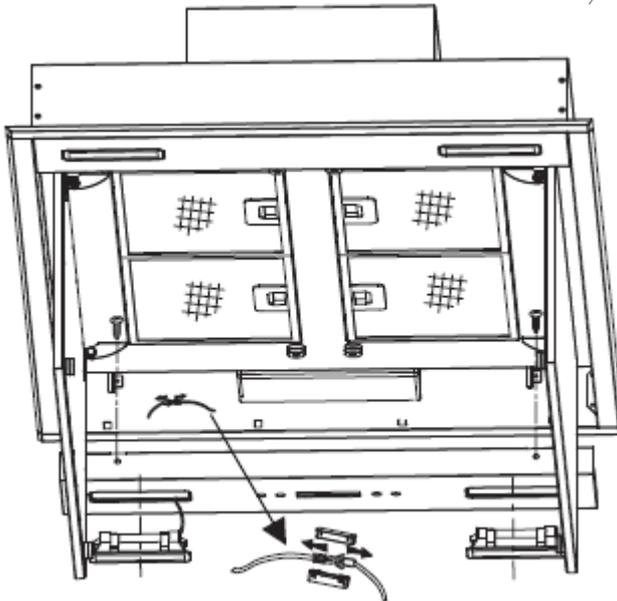
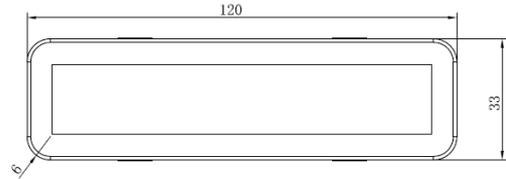
· Se desejar fazer a conexão novamente, deverá eliminar o código que foi definido anteriormente.

· Para eliminar o código, prima  por 5 segundos, a luz indicadora começa a piscar, o exaustor está no modo de conexão. Depois, prima  novamente por 5 segundos, o código de conexão anterior é eliminado.

· Quando o código anterior tiver sido eliminado, o exaustor volta para o modo de espera, prima  por 5 segundos, a luz indicadora pisca de um botão para outro, o exaustor fica no modo de conexão; depois, pressione qualquer botão do comando à distância para confirmar a conexão.

· O comando à distância pode definir as funções de ativação/aumento da velocidade do motor, desativação/diminuição da velocidade do motor, ativação/desativação do temporizador e acender/apagar a luz.

- Tensão máx.: 1,5 W
- Gama de tensão: CD 12V
- Dimensões:



RC remote controler-radio equipment intentionally emitting radio waves

Parameter	Specifications
Wireless Standard	ETSI EN 300 220-2 V3.1.1
Frequency Range	433.92 MHz \pm 50 kHz
Max <u>Trasmit</u> Power	-27.21dbm
Minimum Receiving Sensitivity	/
Channel	1

PROTEÇÃO DO AMBIENTE:



Prima o botão para ajustar a função do temporizador como ligada ou desligada.

· Quando o exaustor está no modo de trabalho, com o motor a funcionar e a luz acesa, é possível ajustar o temporizador. Ajuste o temporizador para 5 minutos. Após 5 minutos, a alimentação será desligada. O motor para de trabalhar e a luz apaga-se simultaneamente.

· Após o ajuste do temporizador, este recalculará se a velocidade do motor mudou.

RESOLUÇÃO DE PROBLEMAS

Problema	Causa possível	Solução
Luz acesa, mas o motor não funciona	Interruptor de ventoinha desligado	Selecione uma posição do interruptor da ventoinha
	Falha do interruptor da ventoinha	Contacte o centro de serviço.
	Falha do motor	Contacte o centro de serviço.
A luz não acende, o motor não funciona	Fusíveis domésticos fundidos	Volte a ligar/substitua os fusíveis.
	Cabo de alimentação solto ou desligado	Volte a ligar o cabo à tomada. Ligue a alimentação.
Fuga de óleo	A válvula unidirecional e a entrada de ventilação de ar não estão bem vedadas	Retire a válvula unidirecional e vede com vedante.
	Fuga na ligação de secção em U e da cobertura	Retire a secção em U e o vedante.
As luzes não funcionam	Globos quebrados/defeituosos	Substitua os globos de acordo com esta instrução.
Aspiração insuficiente	A distância entre o exaustor e a boca a gás é demasiado	Volte a posicionar o exaustor de acordo com uma distância

	grande	correta.
O exaustor está inclinado	O parafuso de fixação não está suficientemente apertado	Aperte o parafuso de pendurar e certifique-se de que fica na horizontal.

NOTA:

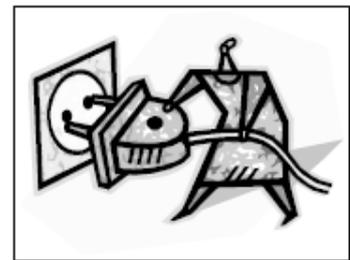


Quaisquer reparações elétricas a este aparelho devem estar em conformidade com as suas leis locais, estatais e federais. Contacte o centro de assistência se tiver alguma dúvida antes de efetuar alguma das operações acima. Desligue sempre a unidade da rede quando abrir a unidade.

MANUTENÇÃO E LIMPEZA

Cuidado:

- Antes de realizar a manutenção ou limpeza, o exaustor deve ser desligado da fonte de alimentação. Certifique-se de que o exaustor está desligado da tomada de parede e que a ficha está retirada da tomada.



- As superfícies externas são suscetíveis a riscos e abrasões, por isso siga as instruções de limpeza para se certificar de que obtém o melhor resultado possível sem ocorrência de danos.

ASPETOS GERAIS

A limpeza e manutenção deverão ser efetuadas com o aparelho frio especialmente quando se limpa. Evite deixar substâncias alcalinas ou ácidas (sumo de limão, vinagre, etc.) nas superfícies.

AÇO INOXIDÁVEL

O aço inoxidável deve ser limpo regularmente (ou seja, semanalmente) para garantir uma longa esperança de vida. Seque com um pano macio e limpo. Pode utilizar um líquido de limpeza especializado para aço inoxidável.

NOTA:

Certifique-se de que a limpeza é realizada ao longo do grão do aço inoxidável para impedir a formação de padrões cruzados antiestéticos.

SUPERFÍCIE DO PAINEL DE CONTROLO

O painel de controlo incorporado pode ser limpo usando água com sabão. Certifique-se de que o pano está limpo e bem espremido antes de realizar

a limpeza. Utilize um pano macio seco para remover humidade em excesso existente após a limpeza.

Importante

Use detergentes neutros e evite o uso de químicos de limpeza abrasivos, detergentes domésticos fortes ou produtos com abrasivos, uma vez que estes afetarão a aparência do aparelho e potencialmente removerão qualquer impressão de ilustrações do painel de controlo e invalidarão a garantia do fabricante.

FILTROS DE REDE DE GORDURA

Os filtros de rede podem ser limpos manualmente.

Mergulhe-os durante cerca de três minutos em água com um detergente de libertação de gordura e, em seguida, escove-os suavemente com uma escova suave. Não aplique muita pressão, para evitar danificar os filtros. (Deixe secar naturalmente sem exposição direta à luz solar.)

Os filtros devem ser limpos separadamente de utensílios de cozinha e louça. É aconselhável que não use abrillantador.

INSTALAR OS FILTROS DE REDE DE GORDURA

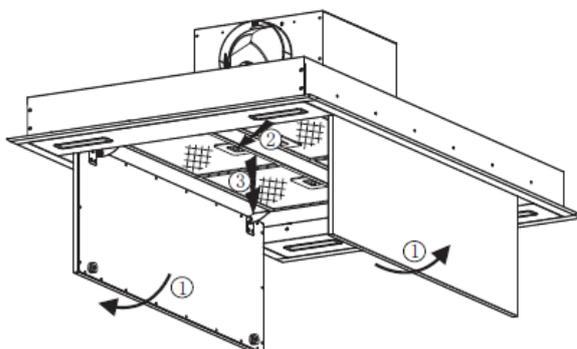
- Siga os quatro passos a seguir para instalar os filtros.
- Oriente o filtro de acordo com as ranhuras na parte traseira do exaustor.
- Pressione o botão na pega do filtro.
- Liberte a pega assim que o filtro encaixar numa posição de repouso.
- Repita a ação para instalar todos os filtros.

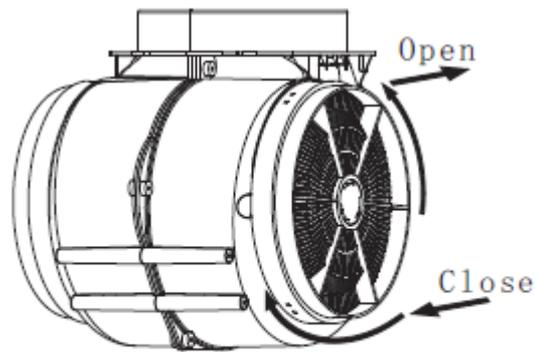
FILTRO DE CARBONO - comprar separadamente

É possível usar um filtro de carvão ativado para captar odores.

Normalmente o filtro de carvão ativado deve ser substituído a cada três ou seis meses consoante os seus hábitos de cozinhar. O procedimento de instalação do filtro de carvão ativado é indicado a seguir.

Para instalar o filtro de carvão ativado, primeiro é necessário desprender o filtro de alumínio. Primeiro, abra cuidadosamente a cobertura em aço inoxidável e, em seguida, pressione o fecho do filtro de alumínio e retire-o.





Cf110

NOTA:

- Certifique-se de que o filtro está bem preso. Caso contrário, este pode soltar-se e pode constituir um perigo.
- Com um filtro de carvão ativado instalado, o poder de aspiração será reduzido.

SUBSTITUIÇÃO DA LÂMPADA

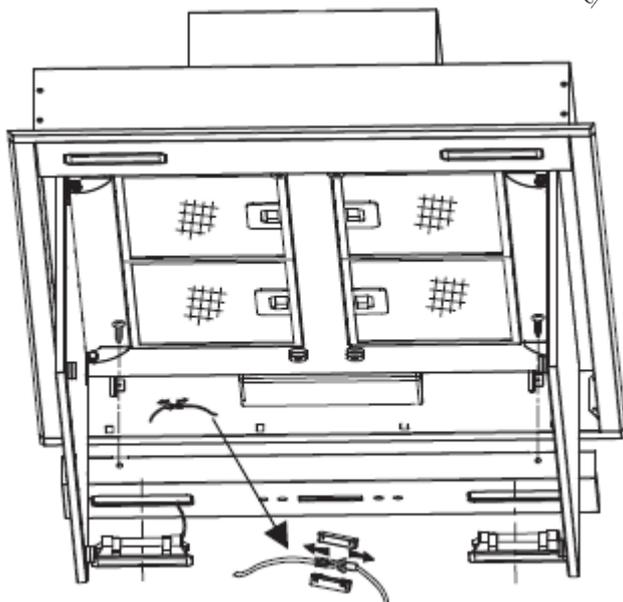
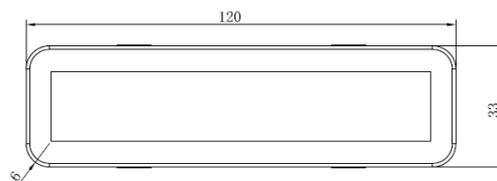
<p>Importante:</p> 	<ul style="list-style-type: none">✧ A lâmpada tem de ser substituída pelo fabricante, pelo seu agente de serviço ou por pessoas igualmente qualificadas.✧ Desligue sempre a fonte de alimentação antes de realizar quaisquer operações no aparelho. Ao manusear a lâmpada, certifique-se de que esta está completamente fria antes de qualquer contacto com as mãos.✧ Ao manusear os globos segure-os com um pano ou com luvas para se certificar que transpiração não entra em contacto com os mesmos uma vez que isso pode reduzir a vida útil do globo.
--	--

Troca da lâmpada para LED de alta pressão

Use a chave de parafusos para soltar o parafuso autorroscante ST4*8MM (2 un.) do painel luminoso, remova a luminária. Abra a caixa de terminais conectada ao fio, desconecte o conector do fio e substitua a lâmpada.

- O código ILCOS D para esta lâmpada é: DSS-1,5/65-H-120/33
- Módulos LED – lâmpada retangular

- Tensão máx.: 1,5 W
- Gama de tensão: CD 12V
- Dimensões:



PROTEÇÃO DO AMBIENTE:



Este aparelho está rotulado em conformidade com a Diretiva Europeia 2012/19/UE relativa aos resíduos de equipamentos elétricos e eletrónicos (REEE) 2013 em relação aos aparelhos elétricos e eletrónicos. Os REEE contêm substâncias poluentes (que podem ter um efeito negativo no meio ambiente) e elementos base (que podem ser reutilizados). É importante que os REEE sejam submetidos a tratamentos específicos para remover e eliminar os poluentes e recuperar todos os materiais. As pessoas podem desempenhar um papel importante para garantir que os REEE não representem um problema ambiental; é essencial que sejam cumpridas algumas normas básicas:

- Os REEE não devem ser tratados como lixo doméstico;
 - Os REEE devem ser levados para áreas de recolha dedicadas administradas pelo município ou por uma empresa registada.
- Em muitos países, as recolhas domésticas podem estar disponíveis para grandes REEEs. Quando compra um aparelho novo, o antigo pode ser devolvido ao revendedor, que deve aceitar tratar da recolha gratuitamente, desde que o aparelho seja de um tipo equivalente e tenha as mesmas funções do aparelho fornecido.

NOTA:

A seguir indicamos como reduzir o impacto ambiental total (por ex. uso energético) do processo de cozinhar.

- (1) Instale o exaustor num local adequado onde exista uma ventilação eficiente.
- (2) Limpe o exaustor regularmente de modo a não bloquear as vias aéreas.
- (3) Lembre-se de desligar a luz do exaustor depois de cozinhar.
- (4) Lembre-se de desligar o exaustor depois de cozinhar.

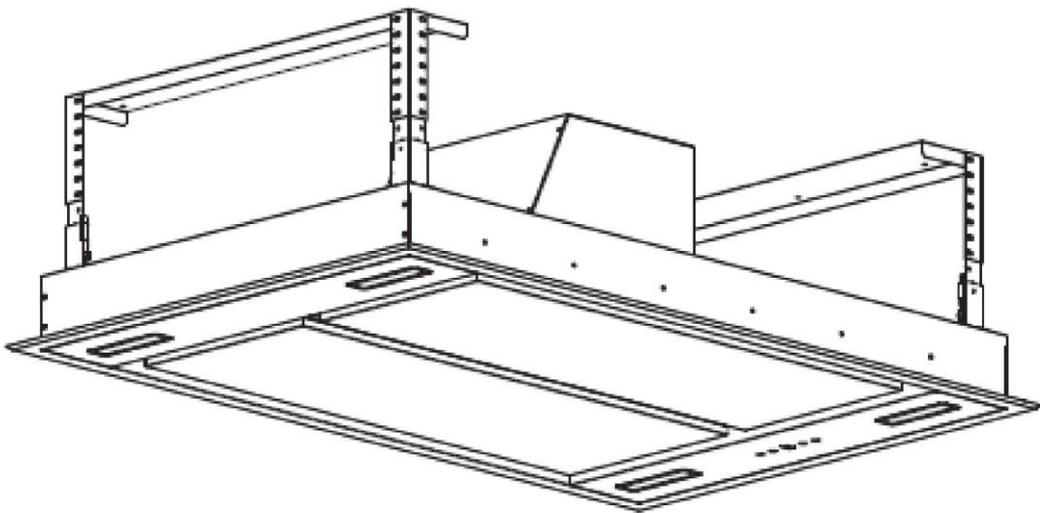
INFORMAÇÃO SOBRE DESMANTELAMENTO

Não desmantele o aparelho de um modo não indicado no manual de instruções. O aparelho não pode ser desmontado pelo utilizador. No final da sua vida útil, o aparelho não deve ser eliminado juntamente com os resíduos domésticos. Consulte a sua autoridade local ou retentor em relação a conselhos de reciclagem.

HDC110IN/1

Dunstabzugshaube

Bedienungshandbuch



Inhalt

1	Sicherheitshinweise
2	Installation
3	Inbetriebnahme der Abzugshaube
4	Fehlerbehebung
5	Wartung und Reinigung
6	Umweltschutz

SICHERHEITSHINWEISE

Dieses Handbuch beschreibt die ordnungsgemäße Installation und Verwendung der Dunstabzugshaube. Lesen Sie sich die Bedienungsanleitung daher sorgfältig durch, auch wenn Sie das Produkt bereits kennen. Heben Sie das Handbuch auch für zukünftige Nachschlagezwecke gut auf.

Was Sie auf keinen Fall tun sollten:

- Abzugshaube nicht ohne Fettfilter oder mit extrem fettigen Filtern laufen lassen!
- Nicht über einem Herd mit hochgelagertem Grill aufhängen.
- Bratpfannen mit heißem Fett nicht unbeaufsichtigt lassen, da sich überhitzte Fette oder Öle entzünden können.
- Kein offenes Feuer unter der Abzugshaube entzünden.



- Die Abzugshaube außer Betrieb nehmen, wenn sie beschädigt ist.
- Keine Gerichte unter der Abzugshaube flambieren.
- VORSICHT: Es kann sein, dass bestimmte Teile der Abzugshaube beim Kochen heiß werden.
- Halten Sie den Mindestabstand zwischen dem Kochfeld und dem Unterteil der Dunstabzugshaube ein. (Wird die Abzugshaube über einem Gasherd angebracht, sollte der Abstand mindestens 65 cm betragen.)
- Die Abluft darf nicht in einen Rauchfang geleitet werden, der auch für die Abgase einer Gas- oder Ölheizung verwendet wird. Dunstabzugshauben und andere Kochdunstabzüge können den sicheren Betrieb von Geräten, die mit Gas oder anderen Brennstoffen betrieben werden (auch in anderen Räumen), durch Rückströmung von Verbrennungsgasen beeinträchtigen. Diese Gase können grundsätzlich zu einer Kohlenmonoxidvergiftung führen.

Nach der Installation einer Dunstabzugshaube oder eines anderen Kochdunstabzugs sollte der Betrieb von Gasgeräten mit offenem Abzug von einer sachkundigen Person getestet werden, um sicherzustellen, dass es nicht zu einem Rückfluss von Verbrennungsgasen kommt.



Was Sie immer tun sollten:

- Wichtig! Das Gerät vor der Installation und Wartung (z. B. Austausch einer Leuchte) immer von der Stromversorgung trennen.
- Die Abzugshaube muss gemäß der Installationsanleitung aufgehängt und alle Maße müssen eingehalten werden.
- Sämtliche Installationsarbeiten müssen durch einen Fachmann oder qualifizierten Elektriker vorgenommen werden.
- Verpackungsmaterial ordentlich entsorgen. Für Kinder kann es eine Gefahrenquelle darstellen.
- Bei der Installation und Reinigung auf scharfe Kanten im Inneren der Abzugshaube achten.
- Sicherstellen, dass der Abluftkanal nicht spitzer als 90 Grad gebogen ist, da dies die Effizienz der Dunstabzugshaube beeinträchtigen würde.
- Warnung: Werden Schrauben nicht richtig festgezogen oder wird das Gerät nicht gemäß dieser Anleitung eingebaut, können Gefahren durch elektrischen Strom entstehen.
- Warnung: Vor dem Zugriff auf Anschlussklemmen müssen alle Versorgungsstromkreise abgeschaltet werden.

Was Sie immer tun sollten:

- Töpfe und Pfannen beim Kochen auf einem Gasherd immer mit einem Deckel schließen.
- Ist die Abzugshaube eingeschaltet, wird die Raumluft abgesaugt. Achten Sie darauf, dass für eine ausreichende Belüftung gesorgt ist. Die Abzugshaube saugt Gerüche ab, aber keinen Wasserdampf.
- Für ausreichende Belüftung sorgen, wenn die Abzugshaube zusammen mit Geräten betrieben wird, die Gas oder andere Brennstoffe verbrennen.
- Die Abzugshaube ist ausschließlich für den Hausgebrauch bestimmt.



- Wenn das Stromkabel beschädigt ist, muss es vom Hersteller oder von seinem Service-Mitarbeiter, oder einer gleichwertig qualifizierten Person ausgetauscht werden, um jegliches Risiko zu vermeiden.
- Dieses Gerät kann von Kindern ab 8 Jahren und Personen mit eingeschränkten körperlichen, sensorischen oder geistigen Fähigkeiten oder mangelnder Erfahrung und mangelndem Wissen benutzt werden, wenn diese in die sichere Bedienung des Geräts eingewiesen wurden oder beaufsichtigt werden und die damit verbundenen Gefahren verstanden haben. Kinder dürfen nicht mit dem Gerät spielen. Kinder dürfen das Gerät nur unter Aufsicht reinigen und pflegen.



Was Sie immer tun sollten:

- Vorsicht: Das Gerät und dessen zugängliche Teile können während des Betriebs sehr heiß werden. Das Berühren dieser Teile vermeiden. Kinder unter acht Jahren sind vom Gerät fernzuhalten, es sei denn, sie werden permanent beaufsichtigt.
- Insbesondere für eine ausreichende Belüftung sorgen, wenn die Abzugshaube zusammen mit Geräten betrieben wird, die Gas oder Benzin verbrennen.
- Es besteht Brandgefahr, wenn die Reinigung nicht entsprechend diesen Anweisungen durchgeführt wird.
- Halten Sie die vor Ort geltenden Abluftvorschriften ein.
- Das Gerät regelmäßig entsprechend der Anweisungen im Kapitel „WARTUNG“ reinigen.
- Aus Sicherheitsgründen für die Montage nur Schrauben in der Größe verwenden, die in diesem Handbuch empfohlen wird.
- Die im Abschnitt „Wartung und Reinigung“ des Bedienungshandbuchs angegebenen Anweisungen zur Reinigung und deren Häufigkeit unbedingt einhalten.
- Kinder dürfen das Gerät nur unter Aufsicht reinigen und pflegen.
- Wird die Abzugshaube zusammen mit Geräten betrieben, die nicht durch Strom, sondern durch andere Energiequellen versorgt werden, darf der Unterdruck im Raum 4 Pa (4×10^{-5} bar) nicht übersteigen.
- **WARNUNG: Feuergefahr:** Keine Gegenstände auf Kochfeldern ablegen.
- Keinen Dampfreiniger verwenden.
- **NIEMALS** Feuer mit Wasser löschen! Stattdessen das Gerät ausschalten und die Flammen abdecken, z. B. mit einem Deckel oder einer Löschdecke.

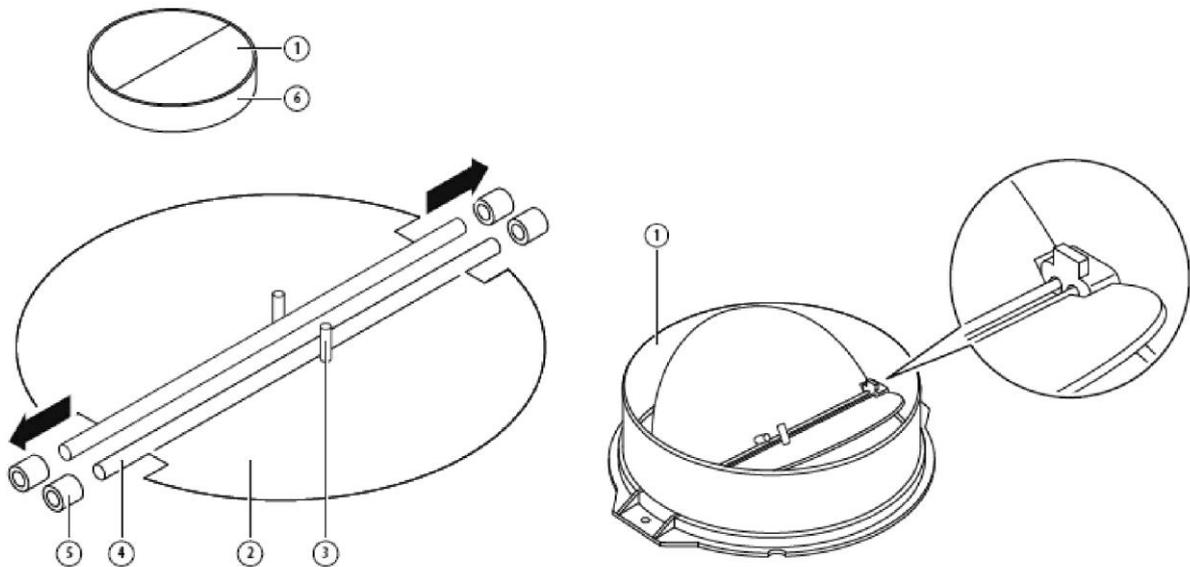
INSTALLATION (ABLUFT NACH DRAUSSEN)

MONTAGE DER V-KLAPPE

Wenn die V-Klappe „1“ nicht an der Abzugshaube montiert ist, montieren Sie die Hälften am Korpus. Die Abbildungen dienen lediglich der Veranschaulichung der Montage der V-Klappe. Der Auslass kann abhängig vom Modell und der Konfiguration variieren.

Vorgehensweise für die Montage der V-Klappe 1:

- Montieren Sie die beiden Teile „2“ am Korpus „6“.
- Der Stift „3“ muss nach oben zeigen.
- Die Achse „4“ wird in die Öffnungen „5“ am Korpus eingesetzt.
- Wiederholen Sie die Schritte für die zweite Hälfte



INSTALLATION

1. Schalten Sie vor der Installation das Gerät aus und ziehen Sie den Netzstecker.



2. Die Dunstabzugshaube sollte nicht weiter als 150 cm von der Kochfläche entfernt sein, um eine optimale Leistung zu erzielen. Siehe Abb. 1.
3. Die Decke muss ein Gewicht von mindestens 120 kg tragen können, und die Dicke der Decke muss ≥ 30 mm sein.

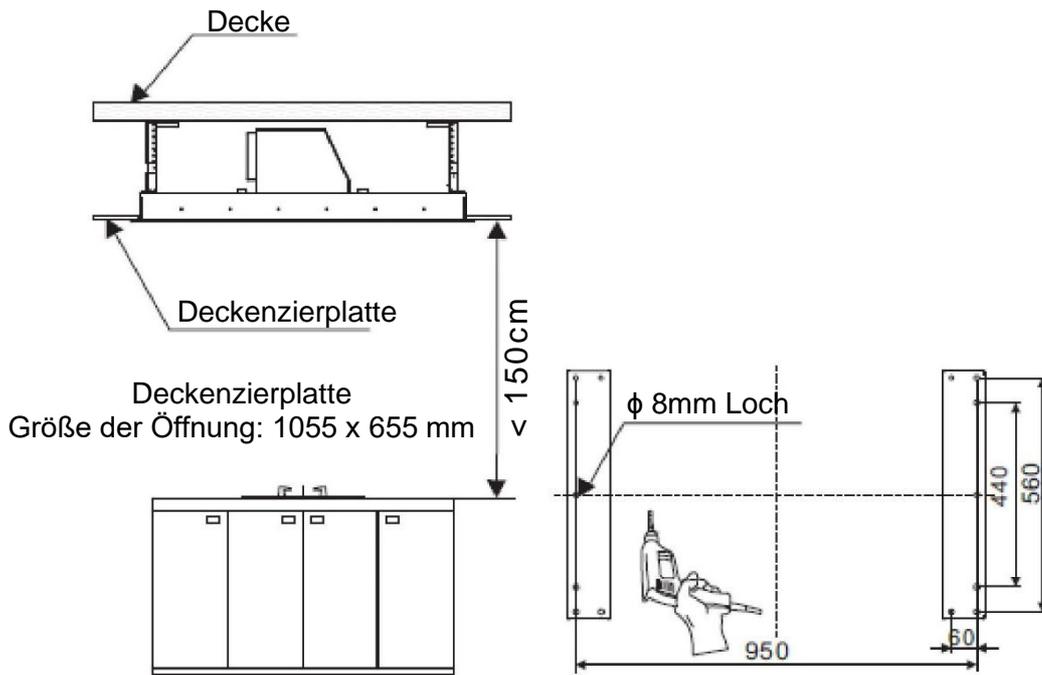


Abb. 1

Abb. 2

4. Entsprechend der auf Bild 2 gezeigten Größe bohren Sie 14 Löcher mit einem Durchmesser von 8mm in die Decke, sobald die Installationshöhe bestimmt ist. 14 Stück Explosionsschrauben (oder 14 Stück ST6*40mm große Flachschaubren + 14 Stück Dübel) werden verwendet, um die beiden Hängebretter an der Decke zu befestigen. Siehe Abb. 3.

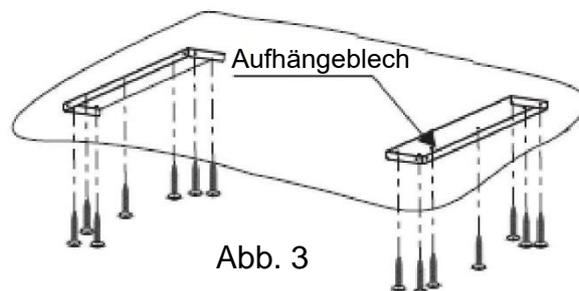


Abb. 3

5. Berechnen Sie die Länge des Winkeleisens (siehe Abb. 4 & 5), dann werden 32 Stück M4*10 Schrauben und M4 Mutter mit Dichtung verwendet, um das Winkeleisen mit der verstellbaren Winkeleisenhalterung zu verbinden. (Stellen Sie sicher, dass die Überlappungslänge des Winkeleisens nicht weniger als 36 mm beträgt)

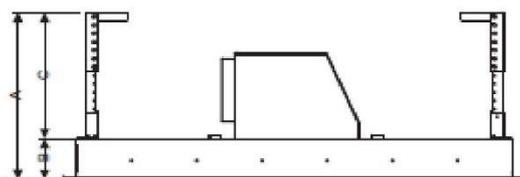


Abb. 4

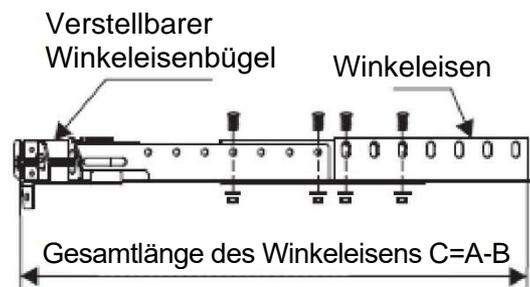


Abb. 5

6. Stellen Sie die Richtung des Auslasses wie in Abbildung 8 dargestellt ①/②/③/④ ein.
 - a. Siehe Abb. 6, öffnen Sie die Zierplatte der Reihe nach und nehmen Sie den Filter heraus.

- b. Siehe Bild 7, schrauben Sie die 4 ST4*8mm Schrauben an der Zierleiste ab und nehmen Sie die Leiste ab.
- c. Lösen Sie die 8 Sechskantschrauben an der Unterseite des Schrankes und drehen Sie den Auslass um 90°/180°/270°, um die Richtung des Auslasses zu wählen, schrauben Sie anschließend die 8 Sechskantschrauben fest, um das Gehäuse gut zu befestigen;
- d. Bringen Sie den Zierstreifen und den Filter in umgekehrter Reihenfolge der oben genannten Schritte a/b an. Installieren Sie in der Zwischenzeit das Verlängerungsrohr am Auslass. Siehe Abb. 9.

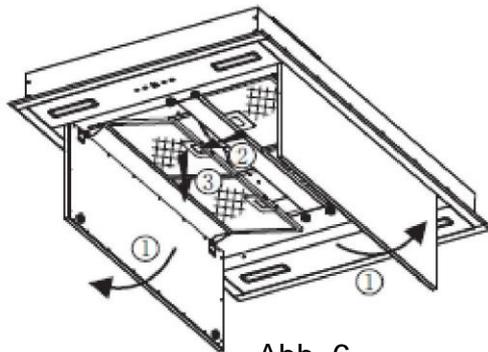


Abb. 6

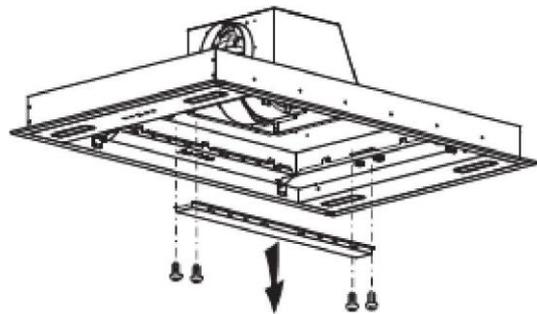


Abb. 7

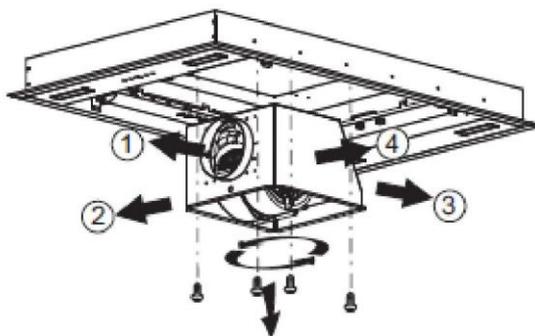


Abb. 8

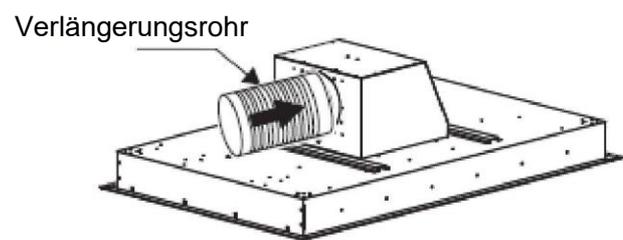


Abb. 9

7. Befestigen Sie, wie in Abb. 10 gezeigt, die 4 verstellbaren Winkeleisen mithilfe von 8 M4*12mm Sechskantschrauben am Gehäuse, siehe Bild 11/12. Heben Sie das Gehäuse an und verwenden 8 M4*12mm Sechskantschrauben und M4 Muttern mit Dichtungen, um das Gehäuse an den 2 Aufhängeblechen zu befestigen; ziehen Sie das Verlängerungsrohr nach außen (Hinweis: Das Verlängerungsrohr muss fest am Gehäuse befestigt werden).

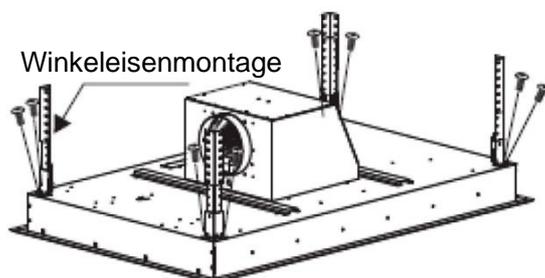


Abb. 10

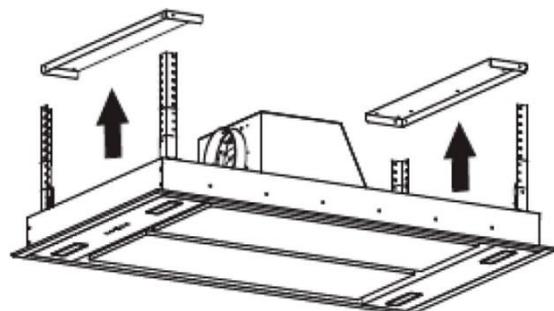


Abb. 11

8. Nach der Montage des Gehäuses am Aufhängeblech verwenden Sie einen Kreuzschraubendreher oder einen geraden Schraubendreher, um die Schraube der Winkeisenhalterung zu justieren und die Position und Höhe des Gehäuses so einzustellen, dass sie passt. Anpassungsmethode: Der Einstellbereich des Winkeisenbügels beträgt 0-25 mm. Drehen Sie die Schraube der 4 Winkeisenbügel im Uhrzeigersinn, bewegen Sie das Gehäuse

nach oben; drehen Sie die Schraube des Winkeleisenbügels gegen den Uhrzeigersinn, bewegen Sie das Gehäuse leicht nach unten. Wenn Sie Position und Höhe kontrolliert haben, schrauben Sie mit einem Kreuzschraubendreher die Sicherheitschraube fest. Siehe Abb. 13.

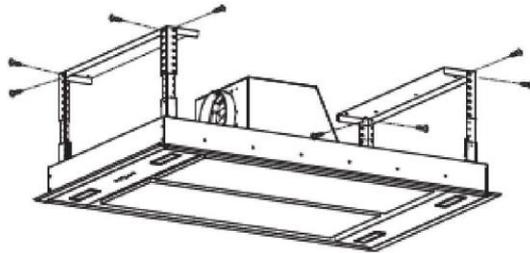


Abb. 12

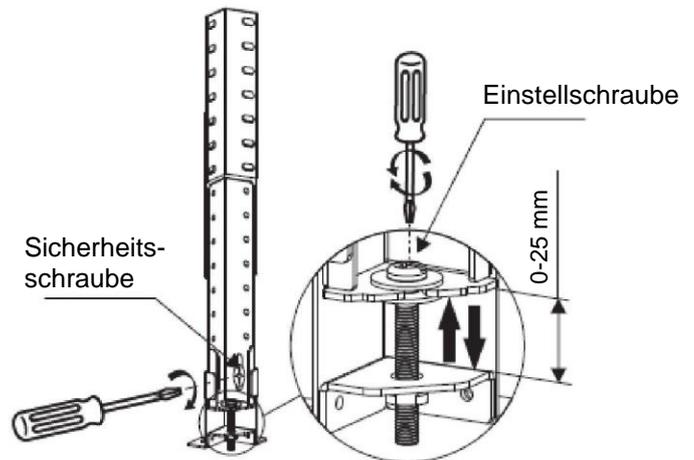


Abb. 13

TIPPS FÜR DIE MONTAGE DER ABZUGSHAUBE

Die folgenden Regeln müssen für den optimalen Luftabzug strikt befolgt werden:

- Das Verlängerungsrohr muss kurz und gerade sein.
- Die Größe des Verlängerungsrohrs nicht verringern oder begrenzen.
- Bei der Verwendung eines Verlängerungsrohrs muss das Rohr während der Installation nach oben gezogen werden, um den Druckverlust zu minimieren.
- Bei Nichtbeachtung dieser grundlegenden Anweisungen verringert sich Leistung der Abzugshaube und die Geräusentwicklung vergrößert sich.
- Sämtliche Installationsarbeiten müssen durch einen Fachmann oder qualifizierten Elektriker vorgenommen werden.
- Schließen Sie den Abluftkanal der Dunstabzugshaube nicht an vorhandene Lüftungssysteme an, die für andere Geräte verwendet werden, beispielsweise Wärmestrahler, Gasheizung, Ventilator.
- Der Winkel des Verlängerungsrohrs muss mindestens 120 Grad betragen. Das Rohr muss horizontal geführt werden oder vom ersten Anschlusspunkt gerade nach oben und durch die Außenwand.
- Vergewissern Sie sich nach der Montage, dass die Abzugshaube gerade montiert ist, damit sich nicht an einem Ende Fett ansammelt.
- Das für die Montage gewählte Verlängerungsrohr muss den geltenden Normen entsprechen und feuerfest sein.

WARNUNG:



- **Verwenden Sie aus Sicherheitsgründen für die Montage nur Schrauben in der Größe, die in diesem Handbuch empfohlen wird.**
- **Werden Schrauben nicht richtig festgezogen oder wird das Gerät nicht gemäß dieser Anleitung eingebaut, können Gefahren durch elektrischen Strom entstehen.**

Bedienfeld

Verschiedene Tasten auf dem Bedienfeld führen unterschiedliche Funktionen aus (siehe Foto 1).

Wenn Sie Ihre Dunstabzugshaube erstmalig an die Stromversorgung anschließen, schaltet sich die Hintergrundbeleuchtung des LCD-Displays ein. Wird nach 30 Sekunden keine Taste gedrückt, schaltet sich die Hintergrundbeleuchtung wieder aus.

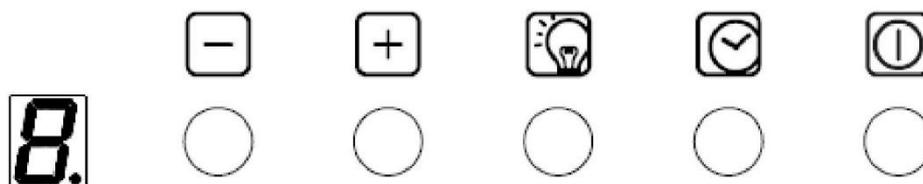


Foto 1

Lichttaste

•Drücken Sie die Lichttaste einmal, um das Licht der Dunstabzugshaube anzuschalten. Drücken Sie die Lichttaste erneut, um das Licht der Dunstabzugshaube auszuschalten. Die Lichttaste wird separat gesteuert und betrifft keine anderen Funktionen.

Ein-/Austaste

•Drücken Sie die Taste einmal. Die Stromanzeige leuchtet und die Dunstabzugshaube läuft in der Geschwindigkeit Medium 2. Auch die Anzeigelichter der Taste für die Lüftergeschwindigkeit und die Lichttaste leuchten. Drücken Sie die Ein-/Austaste erneut, werden die Dunstabzugshaube und die Stromanzeige ausgeschaltet. Die Dunstabzugshaube ist jetzt im Standby-Modus.

Auswahl der Lüftergeschwindigkeit

•Der Lüfter läuft in vier Geschwindigkeiten: Niedrig, Medium2, Medium1, Hoch. Die Geschwindigkeit wird im LCD-Display wie folgt angezeigt: „1“ „2“ „3“ „4“.

•Drücken Sie Taste  und das Anzeigelicht geht an. Der Motor läuft bei niedriger Drehzahl. Auf dem Display erscheint „1“.

•Wenn der Motor auf niedrigster Geschwindigkeitsstufe läuft, können Sie die Taste  drücken, um die Geschwindigkeit auf Medium2 zu erhöhen. Im LCD-Display wird die Geschwindigkeit „2“ angezeigt.

•Wenn der Motor in der Geschwindigkeitsstufe Medium2 läuft, können Sie die  Taste drücken, um die Geschwindigkeit auf Medium1 zu erhöhen. Im LCD-Display wird die Geschwindigkeit „3“ angezeigt.

Wenn der Motor auf Geschwindigkeitsstufe Medium1 läuft, können Sie die Taste  drücken, um die Geschwindigkeit auf „Hoch“ zu ändern. Im LCD-Display wird die Geschwindigkeit „4“ angezeigt.

Wenn der Motor auf höchster Geschwindigkeit läuft und Sie drücken die Taste , läuft der Motor weiter auf höchster Stufe.

•Wenn die Dunstabzugshaube eingeschaltet ist und der Motor auf der Höchststufe oder Medium1 läuft, wird die Geschwindigkeit nach sieben Minuten automatisch auf Medium2 reguliert.

Verringern der Lüftergeschwindigkeit

•Drücken Sie Taste  einmal und die Lüftergeschwindigkeit wird um eine Stufe reduziert.

Die Geschwindigkeit wird im LCD Display angezeigt. Wenn Sie Taste  wiederholt drücken, bis die Geschwindigkeit auf „0“ geschaltet ist, werden Dunstabzugshaube und Anzeigelicht zusammen ausgeschaltet.

Timer-Steuerung

•Wenn die Dunstabzugshaube läuft, d.h., die Lüftergeschwindigkeit und das Anzeigelicht leuchten, kann der Timer eingestellt werden.

Schalten Sie die Dunstabzugshaube vor dem Einstellen des Timers auf die gewünschte Geschwindigkeit und drücken Sie dann die Timer-Taste. Die Timer-Zeit beträgt 5 Minuten, auf dem LCD-Display wird „5“ angezeigt. Die Zahl verringert sich jede Minute auf „4,3,2“. Wenn im Display „0“ erscheint, wird der Strom ausgeschaltet. Der Motor hört auf zu laufen und das Licht wird ausgeschaltet.

•Nach dem Einstellen des Timers, stellt sich der Timer nach jeder Geschwindigkeitsänderung neu ein.

Verbindung zwischen Fernbedienung und Gerät herstellen

•Wird eine neue Fernbedienung erstmalig benutzt, muss zunächst eine neue Verbindung mit der Dunstabzugshaube hergestellt werden. Es ist möglich, mit einer Fernbedienung mehrere Dunstabzugshauben gleichzeitig zu bedienen.

So stellen Sie eine Verbindung zwischen Fernbedienung und Dunstabzugshaube her



•Drücken Sie fünf Sekunden lang die Taste . 15 Sekunden nach dem Einschalten beginnen die Anzeigelichter zu blinken und die Verbindung mit der Dunstabzugshaube kann hergestellt werden. Drücken Sie zur Bestätigung der Verbindung eine beliebige Taste auf der Fernbedienung. Die Verbindung mit der Dunstabzugshaube wurde hergestellt und über die Fernbedienung können Lüftergeschwindigkeit, Licht und Timer eingestellt werden.

•Wenn Sie eine neue Verbindung herstellen möchten, müssen Sie den zuvor eingestellten Code löschen.



•Drücken Sie zum Löschen des Codes fünf Sekunden lang die Taste . Die Anzeigelichter beginnen zu blinken und die Verbindung mit der Dunstabzugshaube kann hergestellt werden.



Drücken Sie dann erneut fünf Sekunden lang die Taste  und der zuvor eingestellte Code wird gelöscht.

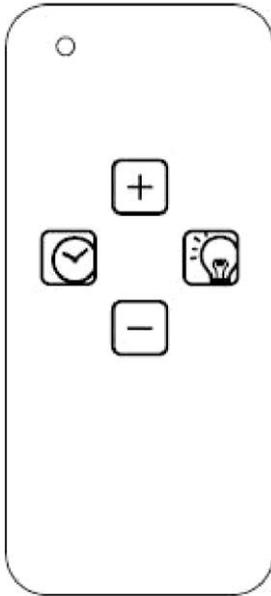
•Wenn der alte Code gelöscht wurde und die Dunstabzugshaube wieder im Standby-Modus ist,



drücken Sie fünf Sekunden lang . Die Anzeigelichter fangen an zu blinken und die Dunstabzugshaube befindet sich im Verbindungsmodus; drücken Sie zur Bestätigung der Verbindung eine beliebige Taste auf der Fernbedienung.

•Mit der Fernbedienung können die Lüftergeschwindigkeit eingeschaltet, erhöht und gesenkt sowie der Timer und das Licht ein- und ausgeschaltet werden.

Fernsteuerung



Beleuchtung



Durch einmaliges Drücken wird das Licht eingeschaltet, durch erneutes Drücken ausgeschaltet. Die Lichttaste wird separat gesteuert und betrifft keine anderen Funktionen.

Einschalten/Erhöhen der Lüftergeschwindigkeit



- Erstes Drücken, niedrige Geschwindigkeit
- Zweites Drücken, Geschwindigkeit Medium 2
- Drittes Drücken, Geschwindigkeit Medium 1
- Viertes Drücken, hohe Geschwindigkeit

•Wenn die Dunstabzugshaube eingeschaltet ist und der Motor auf der Höchststufe oder Medium1 läuft, wird die Geschwindigkeit nach sieben Minuten automatisch auf Medium2 reguliert.

Ausschalten/Senken der Lüftergeschwindigkeit



Drücken Sie die Taste und der Motor schaltet in eine niedrigere Geschwindigkeit. Das LCD-Display zeigt die Geschwindigkeitsstufe an. Durch wiederholtes Drücken der Taste wird die Motorgeschwindigkeit weiter verringert, bis die Dunstabzugshaube ganz ausgeschaltet wird.

Timer



Taste drücken, um den Timer ein-/auszuschalten.

•Wenn die Dunstabzugshaube läuft, d.h., die Lüftergeschwindigkeit und das Anzeigelicht leuchten, kann der Timer eingestellt werden. Stellen Sie die Timerverzögerung auf fünf Minuten. Nach fünf Minuten wird der Strom ausgeschaltet. Der Motor hört auf zu laufen und das Licht wird ausgeschaltet.

•Nach dem Einstellen des Timers, stellt sich der Timer nach jeder Geschwindigkeitsänderung neu ein.

RC-Fernsteuerung **Funkgeräte, die gezielt Funkwellen ausstrahlen**

Parameter	Technische Daten
WLAN-Standard	ETSI EN 300 220-2 V3.1.1
Frequenzbereich	433,92 MHz ~ 50 kHz
Maximale Übertragungsrate	-27,21 dbm
Minimale Empfangsempfindlichkeit	/
Kanal	1

FEHLERBEHEBUNG

Fehler	Mögliche Ursache	Lösung
Licht an, aber Motor läuft nicht.	Ventilator ist ausgeschaltet.	Lüftergeschwindigkeit auswählen.
	Lüfterschalter defekt.	Kundendienstzentrum kontaktieren.
	Motor läuft nicht.	Kundendienstzentrum kontaktieren.
Licht und Motor funktionieren nicht.	Stromsicherung ist durchgebrannt.	Sicherungen wieder einschalten/austauschen.
	Netzstromkabel ist lose oder nicht angeschlossen.	Stecken Sie das Netzkabel wieder in die Steckdose. Stromversorgung einschalten.
Es tritt Öl aus.	Rückschlagventil und Auslass sind nicht dicht.	Rückschlagventil abnehmen und mit Dichtmaterial abdichten.
	Verbindung zwischen Abzug und Abzugshaube ist undicht.	Abzug abnehmen und abdichten.
Licht funktioniert nicht.	Kaputte oder defekte Glühbirnen.	Glühbirnen gemäß dieser Anweisung austauschen.
Absaugen nicht stark genug.	Abstand zwischen Abzugshaube und Kochfeld ist zu groß.	Abzugshaube erneut mit dem richtigen Abstand anbringen.
Abzugshaube hängt herunter.	Befestigungsschraube ist nicht fest.	Schraube anziehen, sodass die Abzugshaube wieder gerade hängt.

HINWEIS:

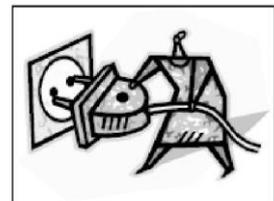


Alle elektrischen Reparaturen dieses Geräts müssen der geltenden regionalen und bundesweiten Gesetzgebung (VDE-Vorschriften) entsprechen. Wenn Sie Zweifel haben, kontaktieren Sie den Kundendienst, bevor Sie die vorstehenden Maßnahmen durchführen. Das Gerät ist immer zuerst von der Stromversorgung zu trennen, bevor das Gehäuse geöffnet wird.

WARTUNG UND REINIGUNG

Vorsicht:

- Vor der Wartung oder Reinigung die Abzugshaube von der Stromversorgung trennen. Überprüfen Sie, ob die Abzugshaube ausgeschaltet ist und ob der Stecker aus der Steckdose gezogen ist.



- Da die äußeren Oberflächen empfindlich für Kratzer sind, befolgen Sie diese Reinigungshinweise für ein optimales Ergebnis ohne Beschädigungen.

ALLGEMEINES

Die Reinigung und Wartung sollte erfolgen, wenn das Gerät abgekühlt ist. Vermeiden Sie die Verwendung alkali- oder säurehaltiger Reinigungsmittel (Zitronensaft, Essig usw.), da diese die Oberfläche angreifen.

EDELSTAHL

Die Oberfläche aus Edelstahl muss regelmäßig (z. B. wöchentlich) gereinigt werden, damit sie lange hält. Wischen Sie sie mit einem weichen Tuch trocken. Es kann ein spezieller Edelstahlreiniger verwendet werden.

HINWEIS:

Wischen Sie immer in der Richtung der Körnung des Edelstahls, sodass keine unschönen Kratzmuster entstehen.

OBERFLÄCHE DES BEDIENFELDS

Das eingelassene Bedienfeld kann mit warmem Seifenwasser gereinigt werden. Das saubere Tuch vor dem Reinigen gut ausdrücken. Restliche Feuchtigkeit mit einem weichen trockenen Tuch abreiben.

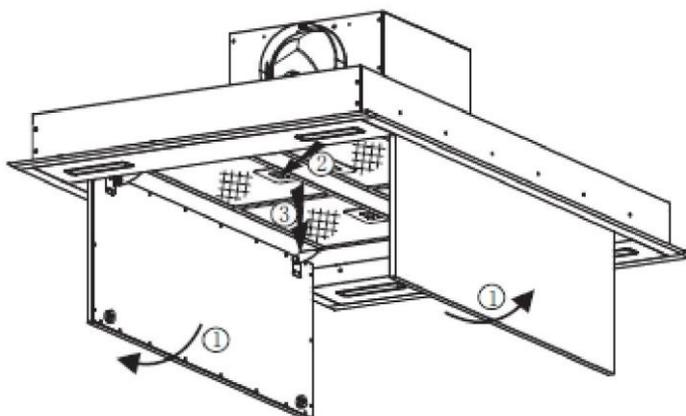
Wichtig

Verwenden Sie neutrale Reinigungsmittel und keine aggressiven Chemikalien oder Scheuermittel, da diese das Aussehen des Geräts verändern und Aufdrucke entfernen können. Außerdem verfällt dadurch die Garantie des Herstellers.

FETTFILTER

Die Netzfilter können von Hand gereinigt werden. Filter in Wasser mit mildem Reiniger eintauchen und zirka drei Minuten lang einweichen. Dann vorsichtig mit einer weichen Bürste abbürsten. Nicht zu viel Druck ausüben, da dies den Filter beschädigen kann. (An der Luft, nicht in direktem Sonnenlicht, trocknen lassen.)

Filter sollten getrennt von anderen Küchenutensilien gereinigt werden. Es wird empfohlen, etwas Klarspüler zu verwenden.



EINSETZEN DER FETTFILTER

- So setzen Sie die Filter in vier Schritten ein:
 - Setzen Sie die Filter in die Schlitze an der Rückseite der Abzugshaube ein.
 - Drücken Sie auf den Knopf am Filtergriff.
 - Lassen Sie den Griff los, sobald sich der Filter in der richtigen Position befindet.
 - Setzen Sie alle Filter auf diese Weise ein.

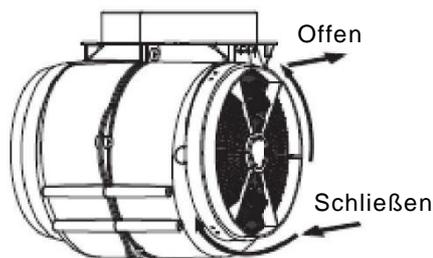
KOHLEFILTER – nicht im Lieferumfang enthalten

Aktivkohlefilter schließen unangenehme Gerüche ein. Normalerweise sollte ein Aktivkohlefilter entsprechend der Kochgewohnheiten alle drei bis sechs Monate gewechselt werden.

Den Aktivkohlefilter wie folgt einsetzen:

Achtung bei Außenlüftung der Dunstabzugshaube: Wenn Sie die Lüftrichtung ② oder ④ wählen, müssen Sie den Filter und den Zierstreifen der Platte gemäß den Schritten „a“ und „b“ in Schritt 6 von INSTALLATION entfernen, um die Kohlefilter zu installieren und zu entfernen.

1. Trennen Sie das Gerät vor dem Beginn von Montagearbeiten oder dem Austausch von Kohlefiltern vom Stromnetz.
2. Drücken Sie die Filtersperre und nehmen Sie den Netzfilter heraus.
3. Drehen Sie den Kohlefilter an beiden Seiten des Motors gegen den Uhrzeigersinn. Setzen Sie neue Kohlefilter ein.
4. Setzen Sie den Netzfilter ein.
5. Stecken Sie den Stecker wieder in die Wandsteckdose.



HINWEIS:

- Prüfen Sie, ob der Filter sicher verankert ist. Anderenfalls kann er herausfallen und gefährliche Unfälle verursachen.
- Bei Verwendung eines Aktivkohlefilters wird die Absaugkraft herabgesetzt.

AUSTAUSCH DER LAMPE

<p>Wichtig:</p> 	<ul style="list-style-type: none"> ✦ Die Lampe muss durch den Hersteller, seinen Kundendienstmitarbeiter oder ähnlich qualifizierte Fachleute ausgetauscht werden. ✦ Gerät immer von der Stromversorgung trennen, bevor Reinigungs-, Wartungs- oder Reparaturarbeiten am Gerät durchgeführt werden. Leuchtmittel vor dem Entfernen vollständig abkühlen lassen, bevor sie angefasst werden. ✦ Leuchtmittel mit einem Tuch oder mit Handschuhen wechseln, damit kein Schweiß damit in Berührung kommt. Dies kann die Lebensdauer der Lampe verkürzen.
--	---

Hinweis:

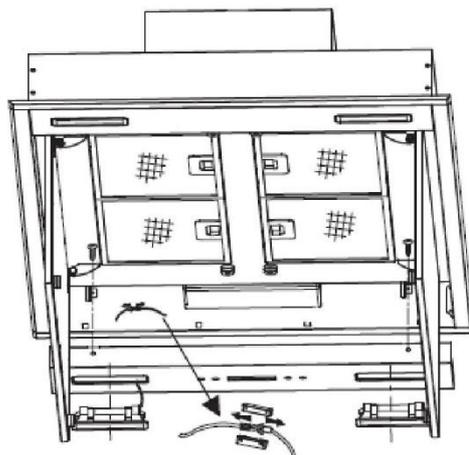
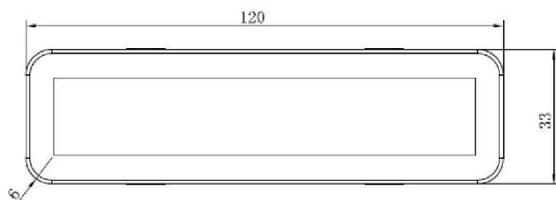
- Vergewissern Sie sich vor dem Austausch der Leuchtmittel, ob das Gerät ausgeschaltet und von der Stromversorgung getrennt wurde.
- Schützen Sie sich beim Austausch der Leuchtmittel z. B. durch das Tragen von Handschuhen.

So tauschen Sie die Lampe aus

Verwenden Sie einen Schraubendreher, um die Lampe vorsichtig an der Kante herauszuhebeln. Ziehen Sie dann langsam das Lampenkabel heraus, um es auszutauschen.

• **ILCOS D-Code für diese Lampe: DSS-1.5/65-S-120/33**

- LED-Module – rechteckige Lampe
- Max. Wattzahl: 4x1,5 W
- Spannungsbereich: DC 12V
- Abmessungen:



UMWELTSCHUTZ:



Dieses Elektrohaushaltsgerät ist gemäß der EU-Richtlinie 2012/19/EU über Elektro- und Elektronik-Altgeräte (WEEE, Waste Electrical and Electronic Equipment 2013) gekennzeichnet. Elektro- und Elektronik-Altgeräte enthalten umweltschädigende Substanzen (die ggf. eine negative Auswirkung auf die Umwelt haben) sowie (wiederverwendbare) Grundelemente. Daher ist es wichtig, Elektro- und Elektronik-Altgeräte spezifisch zu entsorgen, um alle schädlichen Substanzen zu entfernen und wiederverwendbare Teile zu recyceln.

Verbraucher leisten einen wichtigen Beitrag, um zu gewährleisten, dass Elektro- und Elektronik-Altgeräte nicht zu einem Umweltproblem werden. Halten Sie sich daher bitte an die folgenden Grundregeln:

- Elektro- und Elektronik-Altgeräte dürfen nicht mit dem normalen Hausmüll entsorgt werden.
- Elektro- und Elektronik-Altgeräte müssen bei zugelassenen Sammelstellen abgegeben werden, die von der Stadtverwaltung oder anderen zuständigen Stellen verwaltet werden.

In vielen Ländern wird für die Entsorgung großer Elektro- und Elektronik-Altgeräte ein Abholservice angeboten. Beim Kauf eines neuen Geräts wird das alte vom Händler zurückgenommen, der es kostenfrei entsorgt, sofern das neue Gerät von einem ähnlichen Typ ist und die gleiche Funktion erfüllt wie das Altgerät.

HINWEIS:

Im Folgenden wird erläutert, wie die Umwelt durch den Kochvorgang möglichst wenig belastet wird (z. B. Energieverbrauch).

- (1) Die Abzugshaube an einem gut belüfteten Ort installieren.
- (2) Abzugshaube regelmäßig reinigen, sodass die Lüftung nicht blockiert wird.
- (3) Das Licht an der Abzugshaube nach dem Kochen immer ausschalten.
- (4) Abzugshaube nach dem Kochen immer ausschalten.

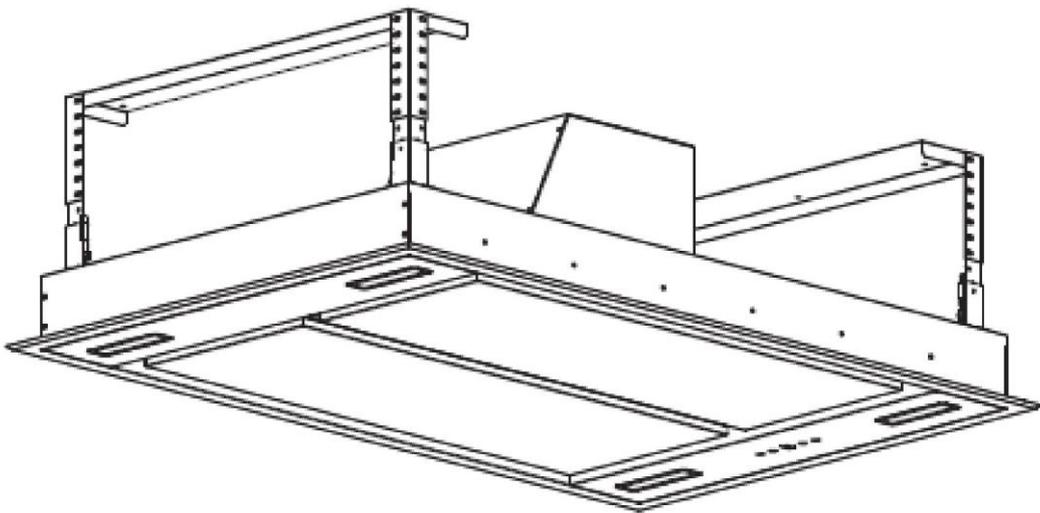
INFORMATIONEN FÜR EINE DEMONTAGE

Das Gerät nur wie in der Benutzeranleitung beschrieben öffnen oder aufschrauben. Das Gerät darf vom Benutzer nicht in seine Einzelteile zerlegt werden. Am Ende seiner Lebensdauer das Gerät nicht mit dem Hausmüll entsorgen. Informieren Sie sich bei der örtlichen Behörde oder beim Abfallentsorger, wie Ihr Gerät entsorgt werden muss.

HDC110IN/1

Afzuigkap

Handleiding



Inhoud

1	Veiligheidsinstructies
2	Installatie
3	Uw afzuigkap gebruiken
4	Problemen oplossen
5	Onderhoud en reiniging
6	Bescherming van het milieu

VEILIGHEIDSINSTRUCTIES

Deze handleiding geeft uitleg hoe u uw afzuigkap op de juiste wijze installeert en gebruikt. Lees de instructies aandachtig voordat u het apparaat gebruikt, zelfs als u met dit product vertrouwd bent. Bewaar de handleiding op een veilige plaats zodat u deze later kunt raadplegen.

Het volgende mag u nooit doen:

- Probeer niet om de afzuigkap zonder de vetfilters te gebruiken, of als de filters bijzonder vettig zijn!
- Niet boven een fornuis installeren met een grill op hoog niveau.
- Laat geen frituurpannen onbeheerd tijdens gebruik; oververhit vet en olie zou vlam kunnen vatten.
- Voorkom open vuur onder de afzuigkap.



- Probeer niet om de afzuigkap toch te gebruiken als deze beschadigd is.
- Niet flamberen onder de afzuigkap.
- VOORZICHTIG: Bij gebruik van kooktoestellen kunnen toegankelijke delen heet worden.
- Houd de minimum afstand tussen het steunoppervlak voor kookgerei op het fornuis en de onderkant van de afzuigkap aan. (Wanneer de afzuigkap boven een gasfornuis is aangebracht, moet deze afstand ten minste 65 cm bedragen)
- De lucht mag niet worden afgevoerd via een kanaal dat wordt gebruikt voor uitlaatgassen van toestellen die gas of andere brandstoffen verbranden. Afzuigkappen en andere kookdampafzuigers kunnen een negatief effect hebben op de veilige werking van toestellen die gas of andere brandstoffen verbranden (met inbegrip van die in andere ruimten) als gevolg van de terugstroom van verbrandingsgassen. Deze gassen kunnen leiden tot koolmonoxidevergiftiging.

Na installatie van een afzuigkap of andere kookdampafzuiging moet de werking van open gastoestellen worden getest door een bevoegde persoon om ervoor te zorgen dat er geen terugstroom van verbrandingsgassen optreedt.



Het volgende moet u altijd doen:

- Belangrijk! Schakel de netvoeding altijd uit tijdens installatie of onderhoud, bijvoorbeeld wanneer u een lampje moet vervangen.
- De afzuigkap moet worden geïnstalleerd in overeenstemming met de installatie-instructies en alle maten moeten worden aangehouden.
- Alle installatiewerkzaamheden moeten door een vakbekwame persoon of gekwalificeerde elektricien worden uitgevoerd.
- Voer de verpakking op de juiste manier af. Deze kan bij kinderen verwondingen veroorzaken.
- Let op voor scherpe randen binnenin in de afzuigkap, vooral tijdens het installeren en het schoonmaken.
- Zorg ervoor dat de bochten in de buizen maximaal 90 graden zijn, omdat de afzuigkap anders minder efficiënt is.
- Waarschuwing: Wanneer de schroeven of de bevestiging niet volgens deze instructies worden aangebracht, kan dit elektrische gevaren met zich meebrengen.
- Waarschuwing: Alle voedingscircuits worden losgekoppeld voordat er toegang wordt verschaft tot de aansluitpunten.

Het volgende moet u altijd doen:

- Doe altijd het deksel op de potten en pannen wanneer u op een gasfornuis kookt.
- Wanneer het apparaat in de afzuigstand staat, wordt de lucht in de kamer door de afzuigkap weggezogen. Zorg ervoor dat de juiste ventilatiemaatregelen worden nageleefd. De afzuigkap verwijdert geuren uit de kamer, maar geen stoom.
- Zorg voor voldoende ventilatie van de ruimte wanneer de afzuigkap gelijktijdig wordt gebruikt met toestellen die gas of andere brandstoffen verbranden.
- De afzuigkap is uitsluitend bedoeld voor huishoudelijk gebruik.



- Als het netsnoer beschadigd is, moet het worden vervangen door de fabrikant, diens servicevertegenwoordiger of vergelijkbaar gekwalificeerde personen om gevaar te voorkomen.
- Dit apparaat mag worden gebruikt door kinderen vanaf 8 jaar en door personen met verminderde lichamelijke, zintuiglijke of geestelijke vermogens of met een gebrek aan kennis en ervaring, mits zij onder toezicht worden gehouden of instructies hebben gekregen om het apparaat veilig te kunnen gebruiken en de gevaren begrijpen die ermee gepaard gaan. Kinderen mogen niet met het apparaat spelen. Het schoonmaken en het onderhoud mag niet door kinderen worden uitgevoerd als er geen toezicht is.



Het volgende moet u altijd doen:

- Voorzichtig: Tijdens gebruik kunnen het apparaat en de toegankelijke delen ervan erg heet worden. Let op wanneer u de verwarmingselementen aanraakt. Kinderen jonger dan 8 jaar moeten uit de buurt blijven, tenzij er voortdurend toezicht is.
- Zorg voor voldoende ventilatie van de ruimte wanneer de afzuigkap gelijktijdig wordt gebruikt met toestellen die gas of andere brandstoffen verbranden.
- Er is brandgevaar als de reiniging niet conform met de instructies wordt uitgevoerd.
- De voorschriften betreffende de afvoer van lucht dienen te worden gerespecteerd.
- Reinig uw apparaat regelmatig volgens de methode die in het hoofdstuk ONDERHOUD is beschreven.
- Vanwege de veiligheid mag u uitsluitend het formaat bevestigings- of montageschroeven gebruiken, die in deze handleiding worden aanbevolen.
- Raadpleeg het hoofdstuk over onderhoud en de reiniging voor meer informatie over reinigingsmethode en -frequentie.
- Het schoonmaken en het onderhoud mag niet door kinderen worden uitgevoerd als er geen toezicht is.
- Wanneer de afzuigkap en apparaten die met andere energie dan elektriciteit worden gevoed tegelijkertijd in werking zijn, mag de onderdruk in de ruimte niet meer bedragen dan 4 Pa (4×10^{-5} bar).
- **WAARSCHUWING:** Brandgevaar: gebruik de kookoppervlakken niet als bewaarplek voor spullen.
- Er mag geen stoomreiniger worden gebruikt.
- Probeer **NOOIT** om brand met water te blussen, maar schakel het apparaat uit en bedek de vlam dan met bijvoorbeeld een deksel of een branddeken.

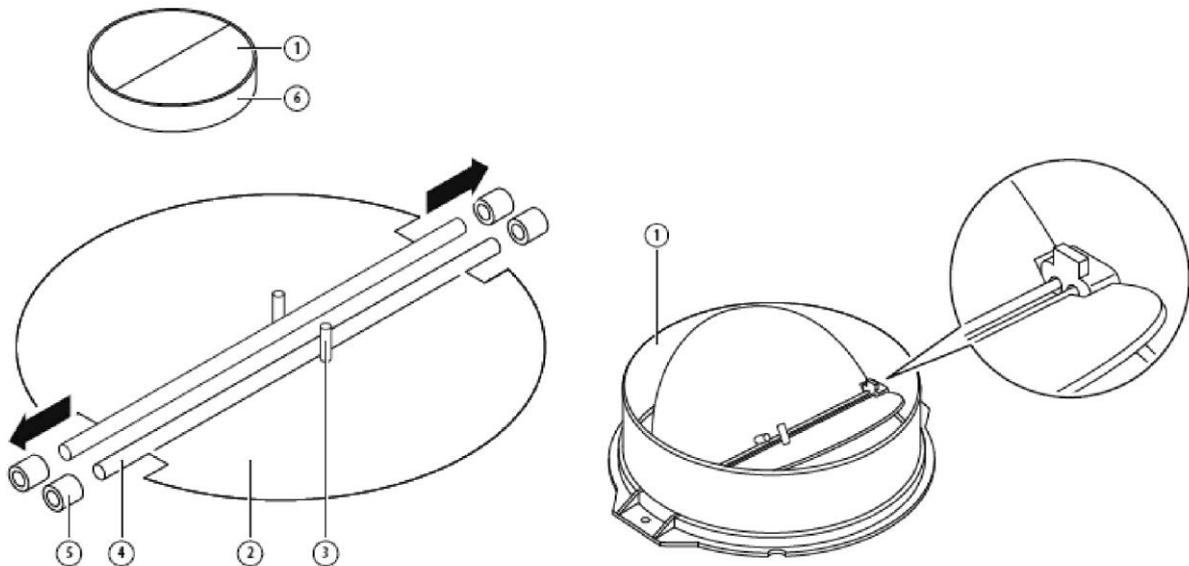
INSTALLATIE (VENTILATIE BUITEN)

MONTAGE VAN DE V-KLEP

Als de afzuigkap geen gemonteerde V-klep (1) heeft, moet u de twee delen in de behuizing monteren. De afbeeldingen geven alleen een voorbeeld van hoe de V-klep moet worden gemonteerd, omdat de uitlaat anders kan zijn, afhankelijk van verschillende modellen en configuraties.

Monteer de V-klep (1) als volgt:

- Monteer de twee delen (2) in de behuizing (6)
- de pen (3) moet naar boven gericht zijn;
- de as (4) moet in de openingen (5) van de behuizing worden gebracht.
- Herhaal dit voor het tweede deel.



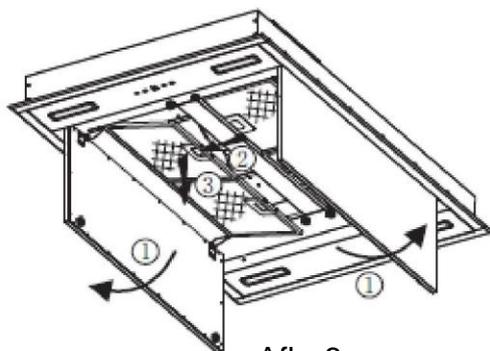
INSTALLATIE

1. Zet voorafgaand aan de installatie het apparaat uit en neem de stekker uit het stopcontact.

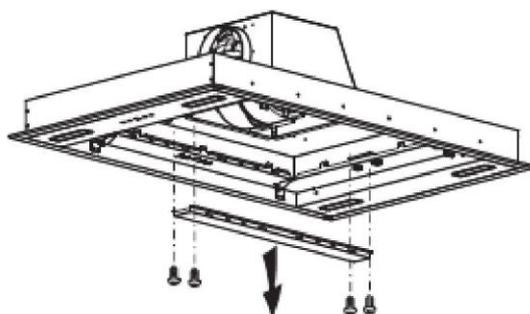


2. Voor de beste prestaties moet de afzuigkap op een afstand van niet meer dan 150 cm vanaf het kookoppervlak worden geplaatst. Zie afb. 1.
3. Het plafond moet ten minste 120 kg gewicht dragen, en de dikte van het plafond moet ≥ 30 mm zijn.

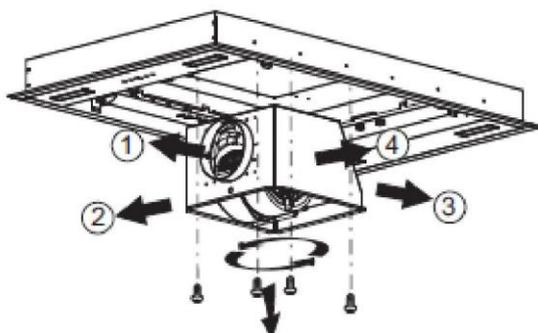
- b. Zie afb. 7, schroef de 4 ST4*8mm schroeven los op de decoratieve strook van het paneel en verwijder ze.
- c. Draai de zijde van de 8 st machinezijdeschroeven van de onderkant van het kasthuis los en draai deze met 90°/180°/270° om de richting van de uitlaat te kiezen en schroef ze dan weer vast om de behuizing goed te bevestigen;
- d. Installeer de decoratieve strip van het paneel en het filter goed in de omgekeerde volgorde van de stappen a/b hierboven. Installeer ondertussen de expansiebuis op de uitlaat. Zie afb. 9.



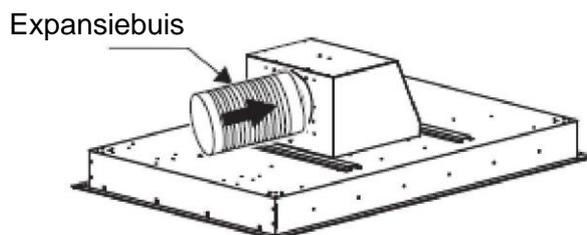
Afb. 6



Afb. 7

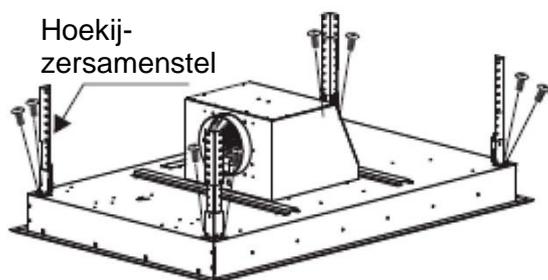


Afb. 8

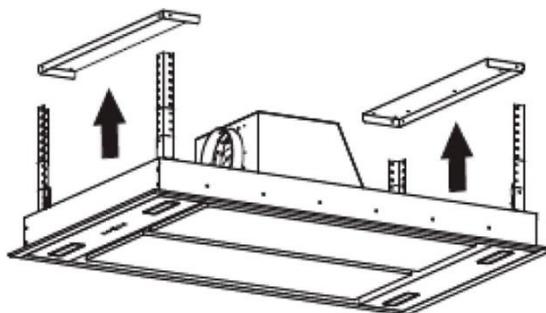


Afb. 9

7. Zoals te zien op afb. 10 moet u de verstelbare 4-hoekijzerbeugel op de behuizing aansluiten met 8 machinezijdeschroeven M4*12 mm, raadpleeg daarna afb. 11/12, til de behuizing op, gebruik 8 M4*12 mm machinezijdeschroeven en M4 moeren met pakkingen om de behuizing te bevestigen aan de 2 ophangplaten en trek tegelijkertijd de expansiebuis naar buiten. (Let op: De expansiebuis moet stevig op de behuizing worden bevestigd.)



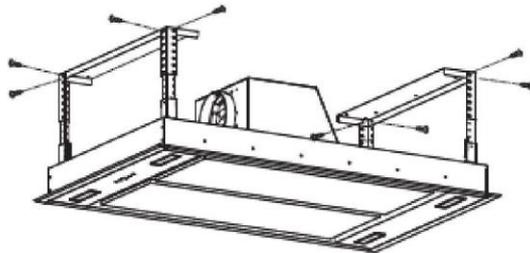
Afb. 10



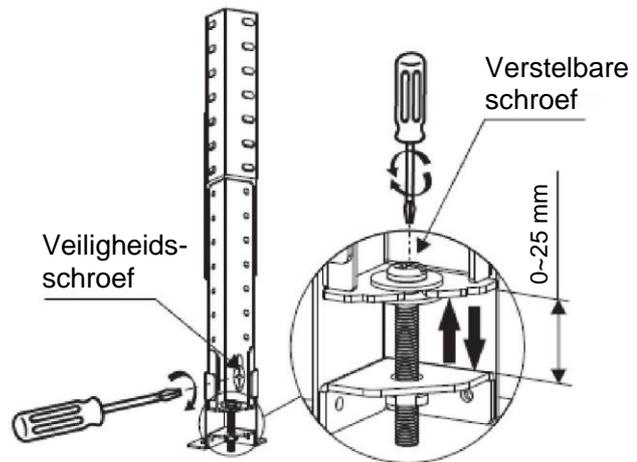
Afb. 11

8. Gebruik na het installeren van de behuizing op de ophangplaat een kruiskopschroevendraaier of een rechte schroevendraaier om de schroef van de hoekijzerbeugel aan te passen, de behuizing waterpas te maken en de hoogte aan te passen. Aanpassingsmethode: Pas het bereik van de hoekijzerbeugel aan op 0-25 mm, draai de schroef van de 4-hoekijzerbeugel rechtsom, breng de behuizing iets omhoog; draai tegelijkertijd de schroef van de hoekijzerbeugel linksom om de behuizing iets omlaag te brengen. Gebruik de kruiskop-

schroevendraaier om de veiligheidsschroef stevig vast te schroeven wanneer de nivellering en hoogte juist zijn. Zie afb. 13.



Afb. 12



Afb. 13

TIPS VOOR INSTALLATIE VAN HET AFVOERKANAAL

Voor een optimale luchtafzuiging moeten de volgende regels strikt worden opgevolgd:

- Houd de expansiebuis kort en recht.
- Maak de expansiebuis niet kleiner of smaller.
- Zorg dat de expansiebuis bij gebruik altijd strak getrokken is, zodat drukverlies wordt voorkomen.
- Als deze basisinstructies niet worden opgevolgd, neemt de werking van de afzuigkap af en produceert deze meer lawaai.
- Alle installatiewerkzaamheden moeten door een gekwalificeerde elektricien of een vakbekwame persoon worden uitgevoerd.
- Sluit het buissysteem van de afzuigkap niet aan op een bestaand ventilatiesysteem dat voor een ander apparaat wordt gebruikt, bijvoorbeeld een buis voor verwarming, gas of warme lucht.
- De buighoek van de expansiebuis mag niet kleiner zijn dan 120°; u moet de buis horizontaal leiden, of de pijp moet vanaf het beginpunt omhoog gaan en daarna naar een buitenmuur.
- Controleer na montage of de afzuigkap waterpas hangt, om te voorkomen dat er zich aan een kant vet ophoopt.
- Zorg dat de gekozen expansiebuis voldoet aan de betreffende normen en vlamvertragend is.

WAARSCHUWING:



- Vanwege de veiligheid mag u uitsluitend het formaat bevestigings- of montageschroeven gebruiken, die in deze handleiding worden aanbevolen.
- Wanneer de schroeven of de bevestiging niet volgens deze instructies worden aangebracht, kan dit elektrische gevaren met zich meebrengen.

Bedieningselementen

Verschillende knoppen op het bedieningspaneel waarmee verschillende functies worden uitgevoerd (zie foto 1)

Wanneer u de afzuigkap voor het eerst op de netvoeding aansluit. De achtergrondverlichting van het LCD-display gaat aan. Als er geen knoppen worden ingedrukt, gaat de achtergrondverlichting na 30 seconden uit.

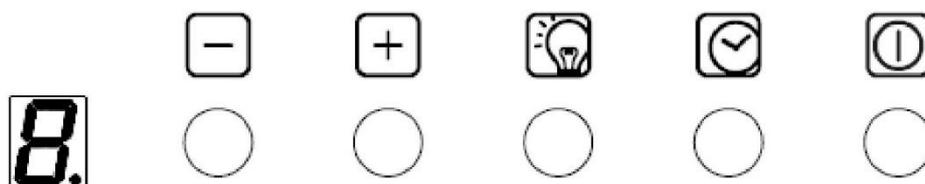


Foto 1

Lichtbediening



•Druk eenmaal op de lichtknop om de verlichting van de afzuigkap in te schakelen. Druk nog een keer op de lichtknop om de verlichting van de afzuigkap uit te schakelen. De lichtknop wordt apart bediend en heeft geen invloed op andere functies.

Aan/uit-knop



•Druk eenmaal op de aan/uit-knop, het indicatielampje gaat branden en de afzuigkap werkt op de snelheid Middelhoog 2, de lampjes van de knop voor de motorsnelheid en de lichtknop lichten op. Druk nog een keer op de aan/uit-knop. de afzuigkap wordt uitgeschakeld en het indicatielampje gaat uit, de afzuigkap is nu in standbymodus.

Selectie snelheidsverhoging



•Met de snelheidsfunctie kunnen in totaal 4 snelheden worden geselecteerd. Laag, Middelhoog2, Middelhoog1, Hoog. Het snelheidssymbool in het LCD-display ziet er als volgt uit: "1" "2" "3" "4"



•Druk op de -knop, het indicatielampje licht op. De motor draait op lage snelheid."1" verschijnt op het LCD-display.



•Wanneer de motor op lage snelheid loopt, kunt u op de -knop drukken om de motorsnelheid in te stellen op Middelhoog2, nu verschijnt het symbool voor snelheid "2" in het LCD-display.

•Wanneer de motor op de snelheid Middelhoog2 loopt, kunt u op de toets  drukken om de motorsnelheid in te stellen op Middelhoog1, nu verschijnt het symbool voor snelheid "3" op het LCD-display.

Wanneer de motor op de snelheid Middelhoog1 loopt, kunt u op de -knop drukken om de motorsnelheid in te stellen op Hoog, nu verschijnt het symbool voor snelheid "4" in het LCD-display.

Wanneer de motor op hoge snelheid loopt, drukt u op de -knop, de motor blijft nu in de hogesnelheidsmodus werken.

•Wanneer tijdens de werking van de afzuigkap de motorsnelheid in totaal 7 minuten Hoog en Middelhoog1 is geweest, zal deze automatisch naar de snelheid Middelhoog2 worden omgeschakeld.

Selectie snelheidsverlaging



•Druk eenmaal op de -knop, de snelheid wordt naar een lager niveau teruggeschakeld, het nummer van het snelheidsniveau verschijnt in het LCD-display. Druk meerdere malen op



totdat het snelheidsniveau op "0" staat, de afzuigkap en het indicatielampje gaan allebei uit.

Timerregeling



•Wanneer de afzuigkap in de werkingsmodus staat, met ingestelde motorsnelheid en ingeschakeld lampje, kunt u de timer instellen.

Voordat u de timer instelt, de afzuigkap instellen op de gewenste snelheid en vervolgens op de timerknop drukken. Timervertraging ingesteld op 5 minuten, in het LCD-display verschijnt een "5". Elke minuut zal het getal afnemen tot "4,3,2" enzovoorts. Wanneer er een"0" in het display verschijnt, zal de stroom worden uitgeschakeld. De motor stopt en tegelijkertijd gaat ook het lampje uit.

•Nadat de timer is ingesteld, zal de timer de tijd opnieuw berekenen wanneer de motorsnelheid wordt veranderd.

De afstandsbediening aansluiten

•Bij het eerste gebruik van een nieuwe afstandsbediening moet een verbinding tot stand worden gebracht tussen de afstandsbediening en de afzuigkap. Een afstandsbediening kan meerdere afzuigkappen tegelijk besturen.

Procedure voor het tot stand brengen van verbinding tussen afstandsbediening en afzuigkap.



•Houd  5 seconden ingedrukt binnen 15 seconden nadat de afzuigkap is ingeschakeld, het indicatielampje begint te knipperen, de afzuigkap is in de verbindingmodus, druk op een willekeurige knop op de afstandsbediening om de verbinding te bevestigen. De procedure voor het tot stand brengen van verbinding is nu voltooid en de afstandsbediening kan worden gebruikt voor snelheidskeuze, bediening van de verlichting en instelling van de timer.

•Als u opnieuw een verbinding tot stand wilt brengen, dient u de eerder ingestelde code te wissen.



•Om de code te wissen houdt u  5 seconden ingedrukt, het indicatielampje begint te

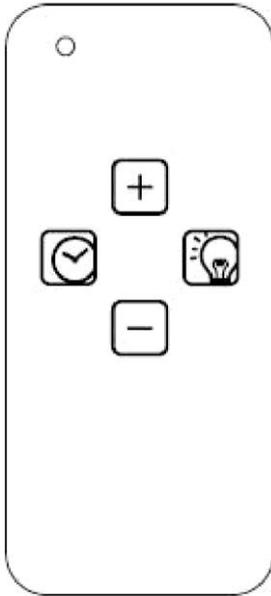
knipperen, de afzuigkap is in de verbindingmodus. Houd  vervolgens nogmaals 5 seconden ingedrukt, de oude verbindingcode is nu gewist.



•Nadat de oude code is gewist, schakelt de afzuigkap weer in de standbymodus, houd  5 seconden ingedrukt, het indicatielampje van de verschillende knoppen licht achtereenvolgens op, de afzuigkap is in verbindingmodus; druk vervolgens op een willekeurige knop op de afstandsbediening om de verbinding te bevestigen.

•Met de afstandsbediening bestuurt u de inschakeling/verhoging van de motorsnelheid, uitschakeling/verlaging van de motorsnelheid, in-/uitschakeling timer en in-/uitschakeling verlichting.

Bediening op afstand



Verlichting



Als u de knop eenmaal indrukt gaat de verlichting aan, als u hem nogmaals indrukt gaat de verlichting uit. De lichtknop wordt apart bediend en heeft geen invloed op andere functies.

Inschakeling/verhoging van de motorsnelheid



1^e maal indrukken, snelheid Laag

2^e maal indrukken, snelheid Middelhoog 2

3^e maal indrukken, snelheid Middelhoog 1

4^e maal indrukken, snelheid Hoog

•Wanneer tijdens de werking van de afzuigkap de motorsnelheid in totaal 7 minuten Hoog en Middelhoog1 is geweest, zal deze automatisch naar de snelheid Middelhoog2 worden omgeschakeld.

Uitschakeling/verlaging van de motorsnelheid



Wanneer u de knop indrukt begint de motor naar een lagere snelheid te schakelen en toont het LCD-display het snelheidsniveau. Door de knop herhaaldelijk in te drukken, wordt de motorsnelheid steeds verder verlaagd totdat de afzuigkap uitschakelt.

Timer



Druk op de knop om de aan/uit-functie van de timer in te stellen.

•Wanneer de afzuigkap in de werkingsmodus staat, met ingestelde motorsnelheid en ingeschakeld lampje, kunt u de timer instellen. Timervertraging instellen op 5 minuten. Na 5 minuten wordt de stroom uitgeschakeld. De motor stopt en tegelijkertijd gaat ook het lampje uit.

•Nadat de timer is ingesteld, zal de timer de tijd opnieuw berekenen wanneer de motorsnelheid wordt veranderd.

RC-afstandsbediening-radio- apparatuur die opzettelijk radiogolven uitstraalt

Parameter	Specificaties
Draadloze standaard	ETSI EN 300 220-2 V3.1.1
Frequentiebereik	433.92 MHz \pm 50 kHz
Max. zendvermogen	-27.21dbm
Minimum ontvangstgevoeligheid	/
Kanaal	1

PROBLEMEN OPLOSSEN

Fout	Mogelijke oorzaak	Oplossing
Verlichting werkt, maar de motor draait niet	Schakelaar van de ventilator staat uit	Selecteer een schakelstand voor de ventilator.
	Schakelaar van de ventilator werkt niet	Neem contact op met het servicecentrum.
	Motor draait niet	Neem contact op met het servicecentrum.
Verlichting werkt niet, motor draait niet	Zekeringen van de woning doorgeslagen	Reset/vervang de zekeringen.
	Het netsnoer is los of ontkoppeld	Sluit het netsnoer weer aan op het stopcontact. Schakel het stopcontact in.
Olielekkage	Terugslagklep en uitgang zijn niet goed gedicht	Demonteer de terugslagklep en dicht af met afdichtmiddel.
	Lekken uit de aansluiting van de dampafvoerpijp en afdekking	Neem de dampafvoerpijp weg en dicht.
Lampjes branden niet	Kapotte of defecte lampen	Vervang de lampjes volgens de instructies.
Onvoldoende zuigkracht	De afstand tussen de afzuigkap en het werkblad van het fornuis is te groot	Plaats de afzuigkap opnieuw op de juiste afstand.
De afzuigkap hangt scheef	De bevestigingsschroef is onvoldoende aangehaald	Haal de ophangschroef aan en zet de kap horizontaal.

OPMERKING:

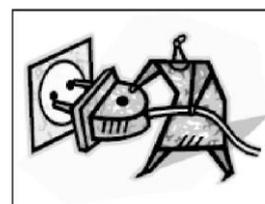


Alle werkzaamheden aan de elektra van dit apparaat moeten voldoen aan de lokale en landelijke voorschriften. Neem bij twijfel over bovenstaande werkzaamheden contact op met het servicecentrum. Koppel het apparaat altijd los van de voeding voordat u het opent.

ONDERHOUD EN REINIGING

Voorzichtig:

- Voordat u onderhoud of een reiniging uitvoert, moet de afzuigkap van het elektriciteitsnet worden losgekoppeld. Zorg ervoor dat de afzuigkap uit staat en dat de stekker uit het stopcontact is.



- Externe oppervlakken zijn gevoelig voor krassen en schuursporen. Volg de reinigingsinstructies op om de beste resultaten te verzekeren zonder dat het apparaat beschadigd raakt.

ALGEMEEN

Reiniging en onderhoud moet gebeuren wanneer het apparaat is afgekoeld, vooral het reinigen. Voorkom dat er alkalische of zure stoffen (citroensap, azijn enz.) op het oppervlak achterblijven.

ROESTVRIJ STAAL

Roestvrij staal moet regelmatig worden gereinigd (bijv. elke week) om een lange levensduur te verzekeren. Maak droog met een zachte doek. U mag een speciale reinigingsvloeistof voor roestvrij staal gebruiken.

OPMERKING:

Zorg ervoor dat u in de polijstrichting van het roestvrij staal veegt, om te vermijden dat er ontsierende, kruisgewijze kraspatronen ontstaan.

OPPERVLAK VAN HET BEDIENINGSPANEEL

Het ingebouwde bedieningspaneel kan met warm zeepsop worden schoongemaakt. Zorg ervoor dat de doek schoon is en goed uitgewrongen voordat u gaat schoonmaken. Verwijder overtollig vocht na het reinigen met een droge, zachte doek.

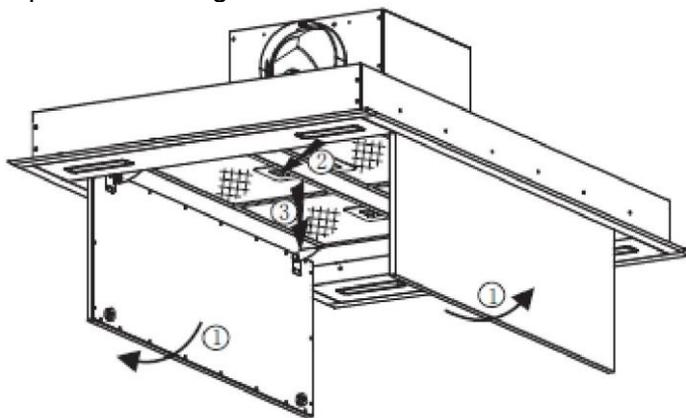
Belangrijk

Gebruik neutrale schoonmaakproducten en vermijd het gebruik van sterke chemische reinigingsmiddelen en producten die schuurmiddelen bevatten, omdat die het uiterlijk van het apparaat aantasten en eventuele sieropdruk van het bedieningspaneel verwijderen. Bovendien vervalt hierdoor de garantie van de fabrikant.

METALEN VETFILTERS

De gaasfilters kunnen handmatig worden gereinigd. Week ze ongeveer 3 minuten in water met een mild reinigingsproduct en borstel ze dan voorzichtig af met een zachte borstel. Oefen niet te veel druk uit om te voorkomen dat er schade aan wordt toegebracht. (Laat op natuurlijke wijze drogen, niet in direct zonlicht)

De filters moeten gescheiden van serviesgoed en keukengerei worden gewassen. Het wordt aanbevolen om geen spoelmiddel te gebruiken.



VETFILTERS VAN GAAS INSTALLEREN

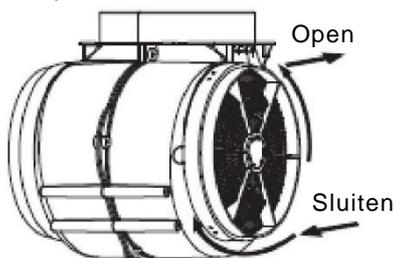
- Volg de vier onderstaande stappen om de filters te installeren:
 - Haak het filter in de gleuven aan de achterkant van de kap.
 - Duw op de knop van de handgreep van het filter.
 - Laat de handgreep los zodra het filter in positie is.
 - Herhaal dit voor alle filters.

KOOLSTOFFILTER - niet bijgeleverd

Actievekoolfilters worden gebruikt voor het opvangen van geurtjes. Normaal moet het actievekoolstoffilter elke 3 tot 6 maanden worden vervangen, afhankelijk van uw kookgewoonten. De procedure voor het installeren van een actievekoolstoffilter wordt hieronder beschreven:

Let op bij ventilatie naar buiten toe van de afzuigkap: Als u kiest voor luchtrichting ② of ④, moet u het filter en de decoratieve strook van het paneel verwijderen volgens de stappen "a" en "b" in stap 6 van INSTALLATIE om koolstoffilters te installeren en te verwijderen.

1. Voordat u de koolstoffilters installeert of vervangt, moet u de netvoeding van het apparaat loskoppelen.
2. Druk op de filtervergrendeling en verwijder het gasfilter.
3. Draai het koolstoffilter aan beide zijden van de motor linksom. Vervang de koolstoffilters door de nieuwe koolstoffilters.
4. Plaats het gasfilter terug.
5. Sluit de voeding aan op het stopcontact.



OPMERKING:

- Controleer of het filter stevig vastzit. Anders kan het losraken en gevaar veroorzaken.
- Wanneer een actievekoolstoffilter is aangebracht, neemt het afzuigvermogen af.

LAMPJE VERVANGEN

<p>Belangrijk:</p> 	<ul style="list-style-type: none"> ✦ Het lampje moet door de fabrikant, diens serviceagent of personen met gelijkwaardige kwalificatie worden vervangen. ✦ Schakel de netvoeding altijd uit voordat u werkzaamheden aan het apparaat uitvoert. Wanneer u het lampje wilt vastpakken, moet u controleren of het volledig is afgekoeld voordat u het met uw handen aanraakt. ✦ Wanneer u lampjes vastpakt, zorg dan dat u ze met een doek of met handschoenen vasthoudt, zodat er geen zweet op het lampje kan komen. Als dit gebeurt, kan dit de levensduur van het lampje verminderen.
---	---

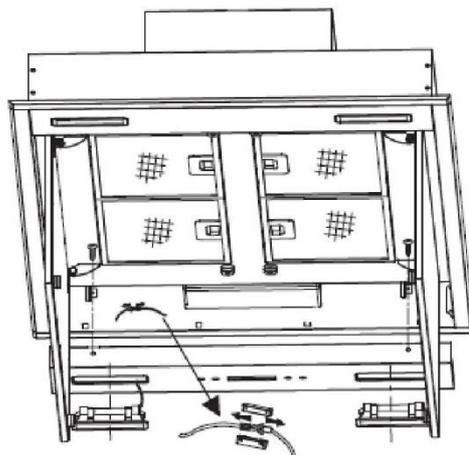
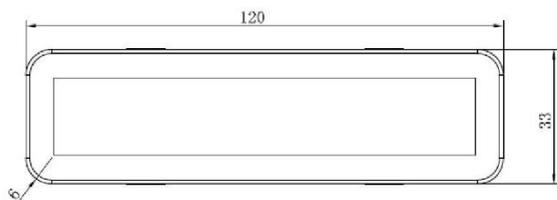
Opmerking:

- Voordat u lampjes gaat vervangen, moet u ervoor zorgen dat het apparaat is uitgeschakeld en dat de stekker uit het stopcontact is gehaald.
- Bescherm tegen gevaar bij het vervangen van lampjes, zoals het dragen van handschoenen.

Het lampje vervangen

Gebruik een schroevendraaier om de lamp zorgvuldig langs de rand los te wrikken om hem te verwijderen. Trek de lampkabel dan langzaam naar buiten voor vervanging.

- De ILCOS D-code van deze lamp is: **DSS-1.5/65-S-120/33**
- Ledmodules - rechthoekige lamp
- Max. wattage: 4x1,5 W
- Spanningsbereik: DC 12V
- Afmetingen:



BESCHERMING VAN HET MILIEU:



Dit apparaat is gemarkeerd in overeenstemming met de Europese Richtlijn 2012/19/EG betreffende afgedankte elektrische en elektronische apparatuur (AEEA) van 2013. De AEEA bevat zowel vervuilende stoffen (die een negatief effect op het milieu kunnen hebben) als basiscomponenten (die hergebruikt kunnen worden). Het is belangrijk dat de AEEA specifieke behandelingen ondergaat om de vervuilende stoffen op de juiste wijze te verwijderen en af te voeren en alle materialen terug te winnen. Individuen kunnen een belangrijke rol spelen om ervoor te zorgen dat de AEEA geen milieuprobleem wordt; het is van essentieel belang om enkele basisregels te volgen:

- de AEEA mag niet worden behandeld als huishoudelijk afval;
- de AEEA moet naar speciale inzamelgebieden worden gebracht, die beheerd worden door het gemeentebestuur of een geregistreerd bedrijf.

In veel landen wordt grote AEEA thuis opgehaald. Wanneer u een nieuw apparaat koopt, kan het oude teruggegeven worden aan de leverancier die het gratis moet accepteren met dien verstande dat het apparaat van een gelijkwaardig type is en dezelfde functies heeft als het gekochte apparaat.

OPMERKING:

Hierna wordt aangegeven hoe u de totale gevolgen van het koken voor het milieu kunt beperken (bijv. energieverbruik).

- (1) Installeer de afzuigkap op een geschikte plaats met efficiënte ventilatie.
- (2) Reinig de afzuigkap regelmatig, zodat de luchtstroming niet geblokkeerd raakt.
- (3) Denk eraan dat u het lampje van de afzuigkap na het koken moet uitschakelen.
- (4) Denk eraan dat u de afzuigkap na het koken moet uitschakelen.

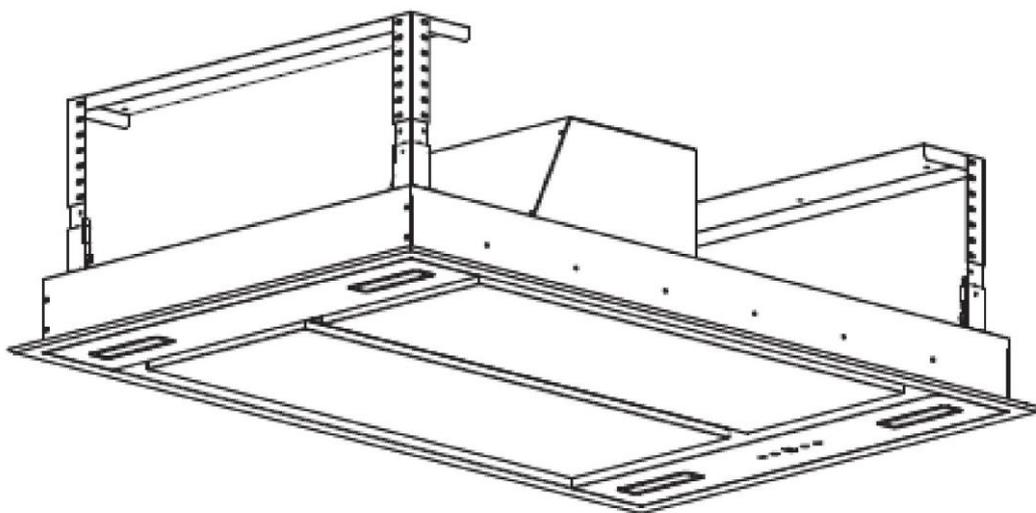
INFORMATIE VOOR DEMONTAGE

Demonteer het apparaat niet op een manier die niet in de handleiding is beschreven. Het apparaat kan niet door de gebruiker worden gedemonteerd. Aan het einde van de levensduur mag het apparaat niet met het huishoudelijke afval worden afgevoerd. Raadpleeg uw lokale overheid of een recyclingbedrijf voor recyclingadvies.

HDC110IN/1

Hotte aspirante

Manuel d'instruction



Sommaire

1	Consignes de sécurité
2	Installation
3	Commencez à utiliser votre hotte aspirante
4	Dépannage
5	Entretien et nettoyage
6	Protection de l'environnement

CONSIGNES DE SÉCURITÉ

Ce manuel explique comment installer et utiliser correctement votre hotte aspirante. Veuillez le lire attentivement avant toute utilisation même si vous connaissez bien le produit. Le manuel doit être conservé en lieu sûr pour pouvoir le consulter en cas de besoin.

À ne jamais faire :

- Ne tentez pas d'utiliser la hotte aspirante sans les filtres à graisse ou si les filtres sont excessivement encrassés !
- Ne l'installez jamais au-dessus d'une cuisinière avec un gril placé en hauteur.
- Ne laissez pas les poêles à frire sans surveillance pendant leur utilisation car les huiles ou les graisses surchauffées pourraient prendre feu.
- Ne laissez jamais des flammes nues sous la hotte aspirante.



- Si la hotte aspirante est endommagée, n'essayez pas de l'utiliser.
- N'allumez aucune flamme sous la hotte.
- Attention : les parties accessibles peuvent devenir chaudes lors de l'utilisation avec des appareils de cuisson.
- La distance minimale entre la surface de support pour les récipients de cuisson sur la plaque de cuisson et la partie la plus basse de la hotte. (Quand la hotte aspirante est située au-dessus d'une cuisinière à gaz, cette distance doit être d'au moins 65 cm)
- L'air ne doit pas être évacué dans un conduit utilisé pour les fumées provenant d'appareils brûlant du gaz ou d'autres carburants. Les hottes et autres extracteurs de fumées de cuisson peuvent nuire à la sécurité d'utilisation des appareils brûlant du gaz ou d'autres combustibles (y compris ceux situés dans d'autres locaux) en raison du reflux de gaz de combustion. Ces gaz peuvent potentiellement entraîner une intoxication au monoxyde de carbone.

Après l'installation d'une hotte ou d'un autre extracteur de fumées de cuisson, le fonctionnement d'appareils à gaz fluides ouverts devrait être testé par une personne compétente afin de s'assurer que le retour des gaz de combustion ne se produit pas.



À toujours faire :

- Important ! Coupez toujours l'alimentation électrique durant l'installation et l'entretien, comme par exemple quand vous changez une ampoule.
- La hotte aspirante doit être installée conformément aux instructions d'installation et toutes les mesures doivent être respectées.
- Tout le travail d'installation doit être effectué par une personne compétente ou un électricien qualifié.
- Veuillez faire attention quand vous jetez l'emballage. Les enfants pourraient se blesser avec.
- Faites attention aux bords coupants à l'intérieur de la hotte aspirante durant l'installation et le nettoyage.
- Vérifiez que les coudes des conduits ne sont pas inférieurs à 90 degrés car cela réduirait l'efficacité de la hotte aspirante.
- Avertissement : Si les vis ou le dispositif de fixation ne sont pas installés conformément à ces instructions, cela peut provoquer des dangers électriques.
- Avertissement : Avant d'accéder aux bornes, il faut débrancher tous les circuits d'alimentation.

À toujours faire :

- Placez toujours le couvercle sur les casseroles et les poêles quand vous cuisinez sur une cuisinière à gaz.
- En mode extraction, l'air de la pièce est éliminé par la hotte aspirante. Vérifiez que des mesures de ventilation correctes sont adoptées. La hotte aspirante élimine les odeurs de la pièce mais pas la vapeur.
- Il doit y avoir une ventilation appropriée dans la pièce si la hotte est utilisée en même temps que d'autres appareils brûlant du gaz ou d'autres carburants.
- La hotte aspirante est réservée à un usage domestique.



- Si le cordon d'alimentation est endommagé, faites-le remplacer par le fabricant, le service après-vente ou un électricien qualifié pour éviter tout risque d'accident.
- Cet appareil peut être utilisé par les enfants de plus de 8 ans et les personnes ayant des capacités physiques, sensorielles ou mentales réduites ou un manque d'expérience et de connaissances, s'ils ont été supervisés ou si on leur a appris à utiliser l'appareil en toute sécurité et qu'ils comprennent les risques courus. Les enfants ne doivent pas jouer avec l'appareil. Le nettoyage et l'entretien ne doivent pas être effectués par des enfants sans surveillance.



À toujours faire :

- Attention : L'appareil et ses parties accessibles peuvent devenir chauds durant le fonctionnement. Évitez de toucher les éléments qui chauffent. Les enfants âgés de moins de 8 ans doivent rester à distance à moins d'être surveillés en permanence.
- Il doit y avoir une ventilation appropriée dans la pièce si la hotte est utilisée en même temps que d'autres appareils brûlant du gaz ou d'autres carburants.
- Il existe un risque d'incendie si le nettoyage n'est pas effectué conformément aux instructions.
- Les réglementations sur l'évacuation de l'air doivent être respectées.
- Nettoyez régulièrement votre appareil en suivant la méthode fournie dans le chapitre ENTRETIEN.
- Pour des raisons de sécurité, veuillez n'utiliser que des vis de fixation ou de montage de la même taille que celle recommandée dans ce manuel d'instruction.
- En ce qui concerne les détails sur la méthode et la fréquence de nettoyage, veuillez vous reporter au paragraphe relatif à l'entretien et au nettoyage dans le manuel d'instruction.
- Le nettoyage et l'entretien ne doivent pas être effectués par des enfants sans surveillance.
- Quand la hotte et les appareils alimentés par autre chose que de l'électricité fonctionnent simultanément, la pression négative à l'intérieur de la pièce ne doit pas dépasser 4 Pa (4×10^{-5} bar).
- Avertissement : Risque d'incendie : ne ranger aucun objet sur les surfaces de cuisson.
- Il ne faut pas utiliser de nettoyeur vapeur.
- Ne tentez jamais d'éteindre un incendie avec de l'eau, mais éteignez l'appareil puis couvrez la flamme par exemple avec un couvercle ou une couverture pare-flammes.

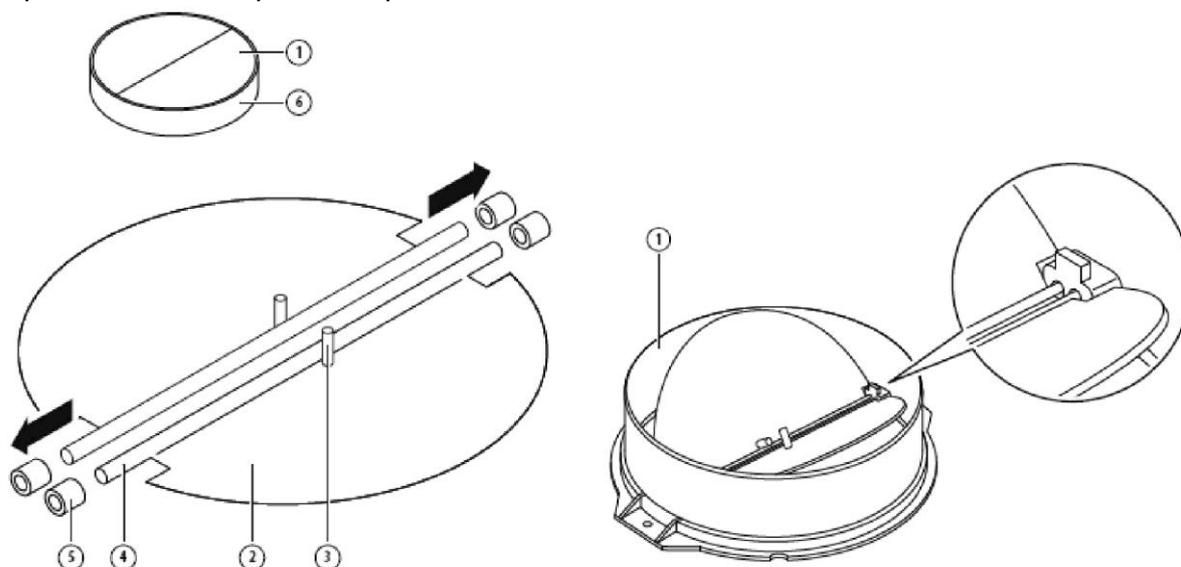
INSTALLATION (ÉVENT À L'EXTÉRIEUR)

MONTAGE DU RABAT EN V

Si la hotte aspirante n'a pas de rabat en V 1 monté, vous devez monter les moitiés sur son corps. Les images ne montrent qu'un exemple de la façon de monter le rabat en V, la sortie peut varier en fonction des modèles et des configurations.

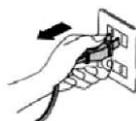
Pour monter le rabat en V 1, vous devez :

- Monter deux moitiés 2 dans le corps 6 ;
- La cheville 3 doit être dirigée vers le haut ;
- L'axe 4 doit être introduit dans les trous 5 sur le corps ;
- Répétez toutes les opérations pour la seconde moitié.



INSTALLATION

1. Avant l'installation, éteignez l'unité et débranchez-la de la prise.



2. La hotte aspirante ne doit pas être placée à plus de 150 cm de la surface de cuisson pour obtenir les meilleures performances. Voir fig. 1.
3. Le plafond doit pouvoir supporter un poids d'au moins 120 kg et l'épaisseur du plafond doit être ≥ 30 mm.

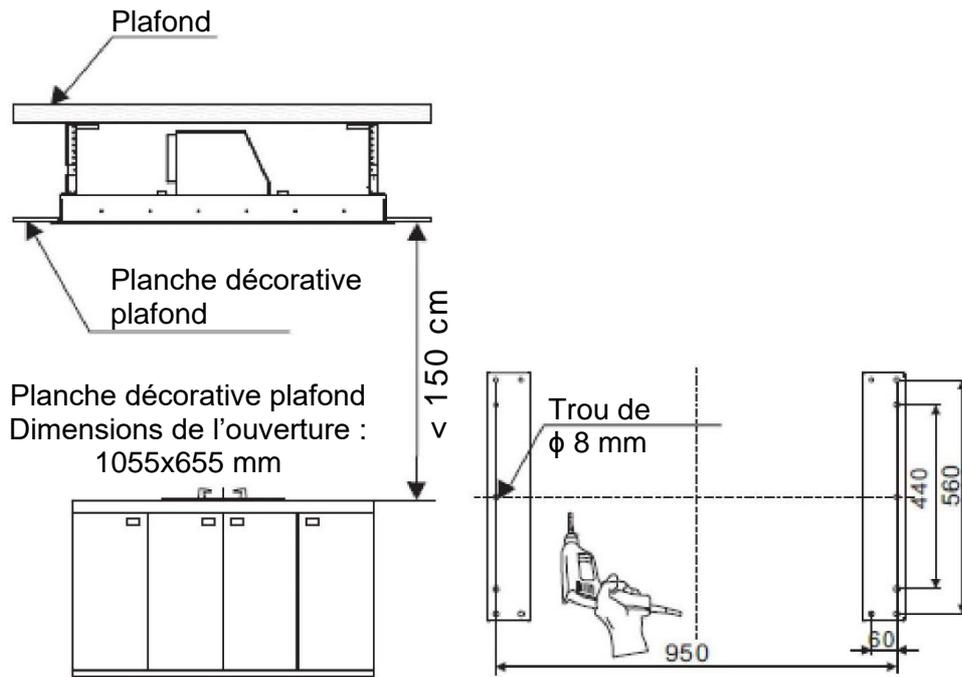


Fig. 1

Fig. 2

4. Selon la taille indiquée sur la fig. 2, percez 14 trous de $\phi 8\text{ mm}$ au plafond une fois la hauteur d'installation déterminée, 14 vis exposées (ou 14 vis plates ST6*40 mm + 14 chevilles) seront utilisées pour fixer les deux panneaux suspendus au plafond. Voir fig. 3.

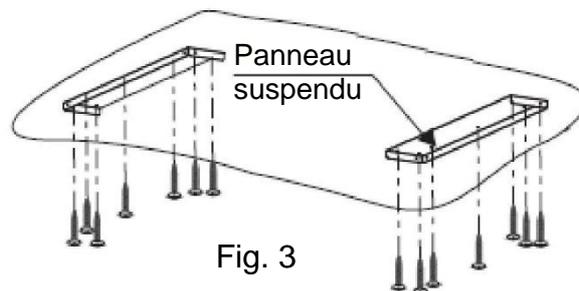


Fig. 3

5. Calculez la longueur de la cornière (reportez-vous aux fig. 4 et 5), puis vous utiliserez 32 vis M4*10 et écrous M4 avec rondelle pour raccorder la cornière sur l'étrier de réglage de la cornière. (Vérifiez que la longueur de chevauchement de la cornière ne soit pas inférieure à 36 mm)

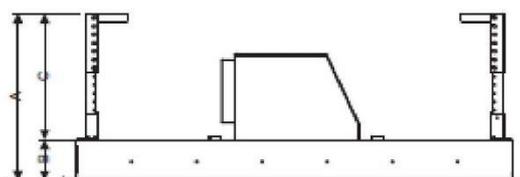


Fig. 4

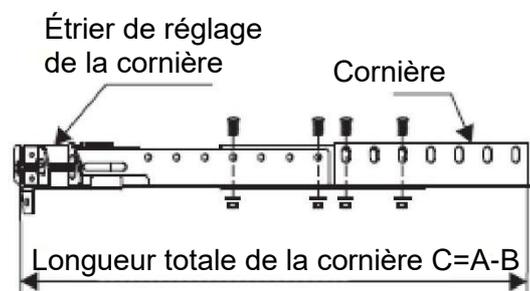


Fig. 5

6. Comme le montre la fig. 8, choisissez le sens de la sortie ①/②/③/④
 - a. Reportez-vous à la fig. 6, ouvrez la plaque décorative dans l'ordre et sortez le filtre.

- b. Reportez-vous à la fig. 7, dévissez et ôtez les 4 vis ST4*8 mm situées sur le bandeau décoratif du panneau.
- c. Dévissez les 8 vis du fond du carter et tournez-le de 90°/180°/270° pour choisir le sens de la sortie, puis vissez les 8 vis pour fixer la cage du carter.
- d. Installez le bandeau décoratif du panneau et le filtre en l'appliquant bien dans l'ordre inverse des étapes a/b ci-dessus. Pendant ce temps, installez la gaine extensible sur la sortie. Voir fig. 9.

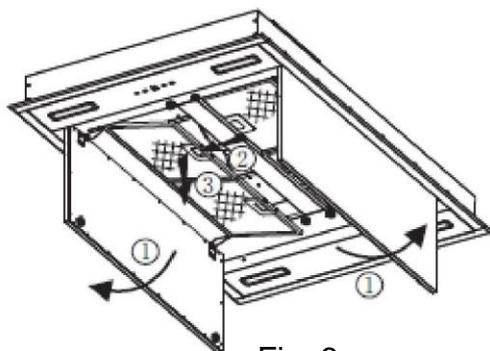


Fig. 6

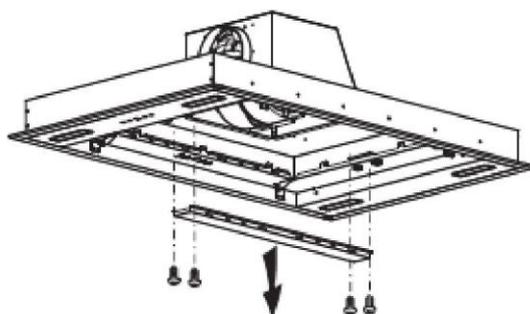


Fig. 7

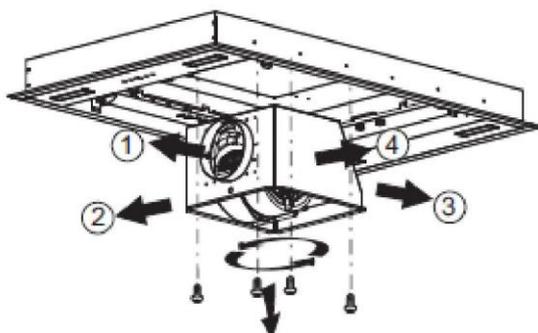


Fig. 8

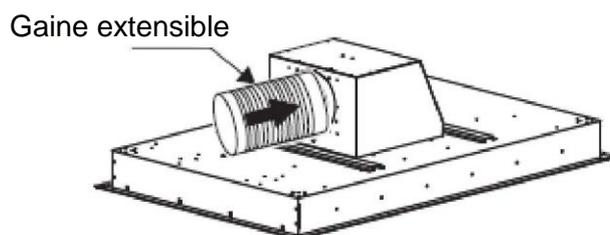


Fig. 9

7. Comme le montre la fig. 10, raccordez les 4 étriers de réglage de la cornière sur le carter avec les 8 vis M4*12 mm, reportez-vous ensuite aux fig. 11/12, soulevez le carter, utilisez 8 vis M4*12 mm et les écrous M4 avec rondelle pour fixer le carter sur les 2 plaques de suspension, pendant ce temps, tirez la gaine extensible à l'extérieur. (Remarque : la gaine extensible doit être fermement fixée sur le carter.)

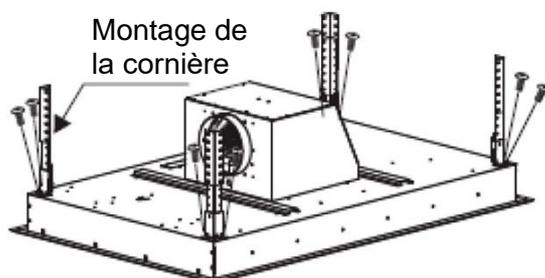


Fig. 10

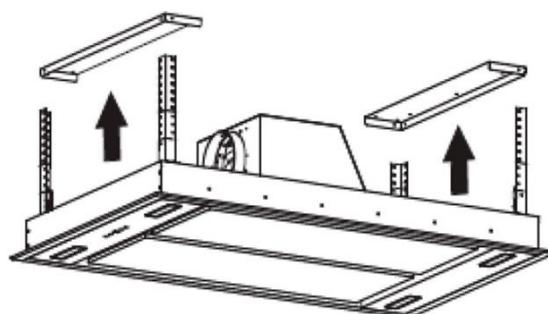


Fig. 11

8. Après l'installation du carter sur les plaques de suspension, utilisez un tournevis cruciforme ou un tournevis plat pour régler la vis de l'étrier de la cornière, dirigez le carter à niveau et à la hauteur requise. Méthode d'ajustement : La plage d'ajustement de l'étrier de la cornière est de 0-25 mm, tournez la vis des 4 étriers des cornières dans le sens des aiguilles d'une montre, bougez légèrement le carter vers le haut. Pendant ce temps, dévissez dans le sens contraire des aiguilles d'une montre la vis de l'étrier de la cornière, bougez légèrement le

carter vers le bas. Utilisez le tournevis cruciforme pour bien serrer la vis d'arrêt quand la position et la hauteur sont adaptées. Voir fig. 13.

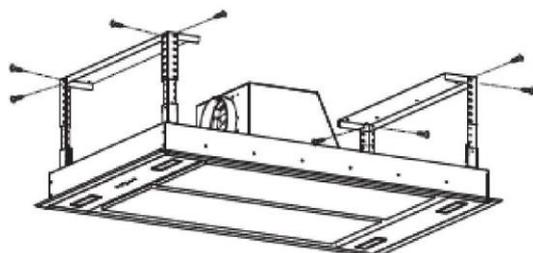


Fig. 12

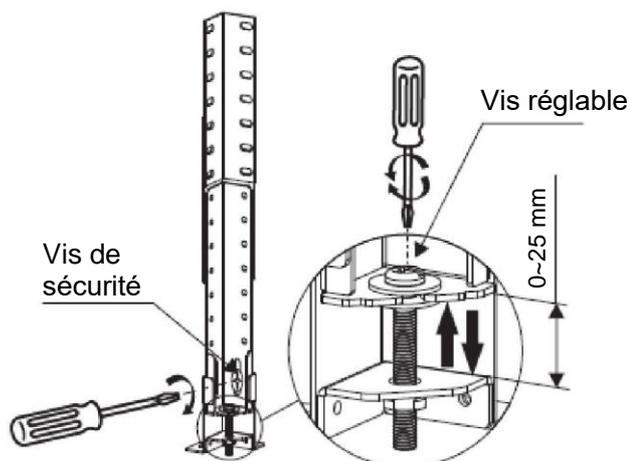


Fig. 13

ASTUCES POUR L'INSTALLATION DU CONDUIT D'ÉVACUATION

Vous devez suivre ces règles strictement pour obtenir une extraction optimale de l'air :

- Maintenez la gaine extensible courte et droite ;
 - Ne réduisez pas la taille de la gaine extensible et ne la rétrécissez pas ;
 - Quand vous utilisez la gaine extensible, installez toujours la gaine bien tendue pour minimiser la perte de pression ;
 - Le non-respect de ces instructions de base réduira les performances et augmentera les niveaux sonores de la hotte aspirante ;
 - Tout travail d'installation doit être effectué par un électricien qualifié ou une personne compétente ;
- Ne raccordez pas le système du conduit de la hotte à un système de ventilation existant qui est utilisé pour un autre appareil, comme un tuyau de chauffage, un tuyau de gaz ou un tuyau d'air chaud ;

L'angle de courbure de la gaine extensible ne doit pas être inférieur à 120°. Vous devez orienter la gaine à l'horizontale ou, en alternative, la gaine doit monter à partir du point initial et être amenée jusqu'à un mur extérieur ;

- Après l'installation, assurez-vous que la hotte aspirante est à niveau pour éviter que la graisse s'accumule à son extrémité ;
- Vérifiez que la gaine extensible choisie pour l'installation est conforme aux normes pertinentes et qu'elle est ignifuge.

AVERTISSEMENT :



- Pour des raisons de sécurité, veuillez n'utiliser que des vis de fixation ou de montage de la même taille que celle recommandée dans ce manuel d'instruction.
- Si les vis ou le dispositif de fixation ne sont pas installés conformément à ces instructions, cela peut provoquer des dangers électriques.

Commandes

Plusieurs touches sur le panneau de commande qui ont différentes fonctions séparément (cf. photo 1).

Quand vous raccordez au départ votre hotte à l'alimentation électrique. Le rétroéclairage de l'afficheur LCD s'allumera. Le rétroéclairage s'éteindra au bout de 30 secondes si vous n'appuyez sur aucune touche.

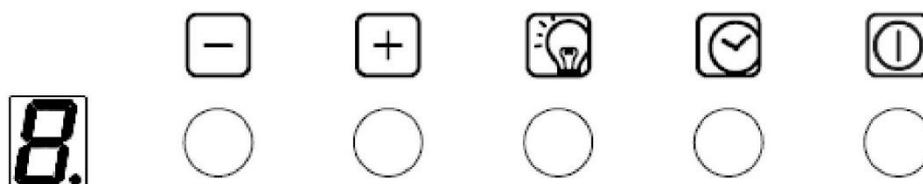


Figure 1

Commande de l'éclairage



• Appuyez sur la touche d'éclairage une fois pour allumer la lumière de la hotte aspirante. Appuyez à nouveau sur la touche d'éclairage pour éteindre la lumière de la hotte aspirante. La touche d'éclairage est commandée séparément et n'affectera pas les autres fonctions.

Commande de marche/arrêt



• Appuyez une fois sur la touche marche/arrêt, le voyant d'alimentation s'allume et la hotte aspirante fonctionne à la vitesse Moyenne 2, avec la touche de vitesse du moteur et la lumière de la touche d'éclairage allumée. Appuyez à nouveau sur la touche marche/arrêt, la hotte aspirante s'éteint en même temps que le voyant et la hotte aspirante passe en mode veille.

Sélection pour augmenter la vitesse



• La vitesse fonctionne au total avec une sélection de 4 vitesses. Vitesse Basse, Moyenne2, Moyenne1, Élevée. Le symbole de la vitesse apparaîtra sur l'afficheur LCD de la manière suivante : "1" "2" "3" "4"



• Appuyez sur la touche , le voyant s'allume. Le moteur fonctionne à basse vitesse. "1" apparaît sur l'écran LCD.

• Quand le moteur fonctionne à basse vitesse, vous pouvez appuyer sur la touche  pour que la vitesse passe à Moyenne2, le symbole de la vitesse "2" apparaîtra sur l'afficheur LCD.

• Quand le moteur fonctionne à la vitesse Moyenne2, vous pouvez appuyer sur la touche



pour que la vitesse du moteur passe à Moyenne1, le symbole de la vitesse "3" apparaîtra sur l'afficheur LCD.



Quand le moteur fonctionne à la vitesse Moyenne1, vous pouvez appuyer sur la touche pour que la vitesse du moteur passe à Élevée, le symbole de la vitesse "4" apparaîtra sur l'afficheur LCD.



Quand le moteur fonctionne à une vitesse élevée, appuyez sur la touche, le moteur continue de fonctionner en mode vitesse élevée.

• Lorsque la hotte est en marche et que la vitesse du moteur est Élevée et Moyenne1, après 7 minutes de fonctionnement la vitesse passe automatiquement à Moyenne2.

Sélection pour diminuer la vitesse



• Appuyez une fois sur la touche , la vitesse passera à une vitesse inférieure, le numéro

du niveau de la vitesse apparaîtra sur l'afficheur LCD. Appuyez ici  à plusieurs reprises jusqu'à ce que le niveau de vitesse passe à "0", la hotte aspirante s'éteindra alors, de même que le voyant.

Commande de la minuterie



• Quand la hotte aspirante est en mode fonctionnement, avec le moteur et la lumière allumés, vous pouvez régler la minuterie.

Avant de régler la minuterie, maintenez la hotte à la vitesse à laquelle vous souhaitez qu'elle soit, appuyez sur la touche de la minuterie. Durée de la minuterie pendant 5 minutes, "5" apparaîtra sur l'afficheur LCD. Le chiffre diminuera à "4,3,2" à chaque minute. Quand "0" apparaît sur l'afficheur, la hotte s'éteint. Le moteur cesse de fonctionner et la lumière est éteinte en même temps.

• Après avoir réglé la minuterie, celle-ci recalculera si la vitesse du moteur a basculé.

Connexion de la télécommande

•Une nouvelle télécommande doit établir une nouvelle connexion avec la hotte aspirante quand elle est utilisée pour la première fois. Une télécommande peut commander plusieurs hottes aspirantes en même temps.

Processus de connexion entre la télécommande et la hotte aspirante

•Appuyez sur  pendant 5 secondes dans les 15 secondes où la hotte aspirante est branchée, les voyants se mettent à clignoter, la hotte est en mode connexion, appuyez sur n'importe quelle touche sur la télécommande pour confirmer la connexion. Le processus de connexion est terminé et la télécommande peut être utilisée pour choisir la vitesse et pour configurer l'éclairage et la minuterie.

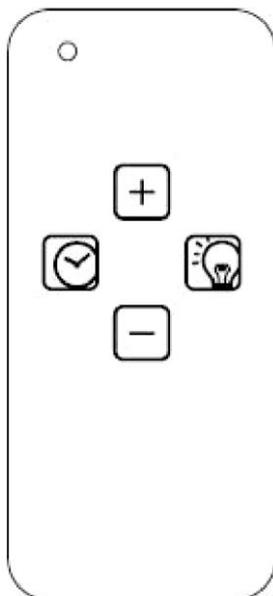
•Si vous souhaitez effectuer à nouveau la connexion, vous devez effacer le code configuré auparavant.

•Pour effacer le code, appuyez sur  pendant 5 secondes, les voyants se mettent à clignoter et la hotte est en mode connexion. Puis appuyez à nouveau sur  pendant 5 secondes, le code de connexion précédent est effacé.

•Quand le code précédent a été effacé, la hotte aspirante revient en mode veille, appuyez sur  pendant 5 secondes, le voyant clignote d'une touche à l'autre, la hotte aspirante est en mode connexion, puis appuyez sur n'importe quelle touche sur la télécommande pour confirmer la connexion.

•La télécommande peut configurer les fonctions allumer/augmenter la vitesse du moteur, éteindre/diminuer la vitesse du moteur, minuterie activée/désactivée et éclairage allumé/éteint.

Contrôle à distance



Éclairage



Appuyez une fois sur la touche, la lumière s'allume, appuyez à nouveau et la lumière s'éteint. La touche d'éclairage est commandée séparément et n'affectera pas les autres fonctions.

Allumer/Augmenter la vitesse du moteur



- 1^{ère} pression, Faible vitesse
- 2^{ème} pression, vitesse Moyenne 2
- 3^{ème} pression, vitesse Moyenne 1
- 4^{ème} pression, vitesse Élevée

•Lorsque la hotte est en marche et que la vitesse du moteur est Élevée et Moyenne1, après 7 minutes de fonctionnement la vitesse passe automatiquement à Moyenne2.

Éteindre/Diminuer la vitesse du moteur



Appuyez sur la touche et le moteur commence à une vitesse inférieure et l'écran LCD affiche le niveau de la vitesse. Appuyez à plusieurs reprises sur la touche, la vitesse du moteur continue de diminuer jusqu'à ce que la hotte soit éteinte.

Minuterie



Appuyez sur la touche pour régler la fonction minuterie activée/désactivée.

•Quand la hotte aspirante est en mode fonctionnement, avec le moteur et la lumière allumés, vous pouvez régler la minuterie. Réglez la durée de la minuterie sur 5 minutes. Au bout de 5 minutes, la hotte s'éteint. Le moteur cesse de fonctionner et la lumière est éteinte en même temps.

•Après avoir réglé la minuterie, celle-ci recalculera si la vitesse du moteur a basculé.

Télécommande RC - équipement radio émettant intentionnellement des ondes radio

Paramètre	Caractéristiques
Sans fil standard	ETSI EN 300 220-2 V3.1.1
Plage de fréquence	433,92 MHz \pm 50 kHz
Puissance de transmission max	-27,21 dBm
Sensibilité de réception minimale	/
Canal	1

DÉPANNAGE

Problème	Cause possible	Solution
La lumière est allumée mais le moteur ne fonctionne pas	Le ventilateur est éteint	Sélectionnez une position du commutateur du ventilateur.
	Panne du commutateur du ventilateur	Contactez le centre d'assistance.
	Panne du moteur	Contactez le centre d'assistance.
La lumière ne fonctionne pas, le moteur ne fonctionne pas	Les fusibles de la maison ont sauté	Remettez/Remplacez les fusibles.
	Le câble d'alimentation secteur est desserré ou débranché	Rebranchez le câble d'alimentation sur la prise d'alimentation. Mettez sous tension la prise de courant.
Fuite d'huile	Le clapet anti-refoulement et la sortie ne sont pas bien étanches	Ôtez le clapet anti-refoulement et rendez-le étanche avec du mastic.
	Fuite au niveau du raccordement de la cheminée et du couvercle	Ôtez la cheminée et rendez-la étanche.
Les lumières ne fonctionnent pas	Ampoules cassées ou défectueuses	Changez les ampoules selon ces instructions.
Aspiration insuffisante	La distance entre la hotte aspirante et la plaque de cuisson au gaz est trop importante	Remontez la hotte aspirante à la bonne distance.
La hotte aspirante est inclinée	La vis de fixation n'est pas suffisamment serrée	Serrez la vis de suspension et placez-la à l'horizontale.

REMARQUE :

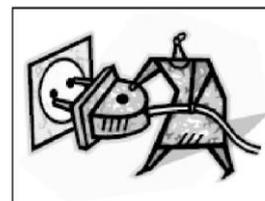


Toute réparation électrique de cet appareil doit être conforme à vos lois locales, nationales et fédérales. Veuillez contacter le service après-vente en cas de doute avant d'entreprendre l'une des opérations ci-dessus. Débranchez toujours l'appareil de la source d'alimentation lors de l'ouverture de l'appareil.

ENTRETIEN ET NETTOYAGE

Attention :

- Avant d'effectuer l'entretien ou le nettoyage, vous devez débrancher la hotte aspirante de l'alimentation. Vérifiez que la hotte aspirante est éteinte au niveau de la prise murale et que la fiche est débranchée.



- Les surfaces extérieures sont susceptibles d'être rayées et de subir des abrasions, veuillez donc respecter les instructions de nettoyage pour garantir le meilleur résultat possible sans dégât.

GÉNÉRALITÉS

Le nettoyage et l'entretien doivent être effectués avec l'appareil froid, surtout lors du nettoyage. Évitez de laisser des substances alcalines ou acides (jus de citron, vinaigre, etc.) sur les surfaces.

ACIER INOXYDABLE

L'acier inoxydable doit être nettoyé régulièrement (p.ex. une fois par semaine) pour assurer une longue durée de vie. Séchez à l'aide d'un chiffon doux et propre. Un liquide de nettoyage spécialement conçu pour l'acier inoxydable peut être utilisé.

REMARQUE :

Veillez à essuyer l'appareil le long du grain de l'acier inoxydable pour éviter l'apparition de rayures croisées.

SURFACE DU PANNEAU DE COMMANDE

Le panneau de commande peut être nettoyé avec de l'eau savonneuse chaude. Vérifiez que le chiffon est propre et bien essoré avant d'effectuer le nettoyage. Utilisez un chiffon doux et sec pour éliminer l'excès d'humidité restant après le nettoyage.

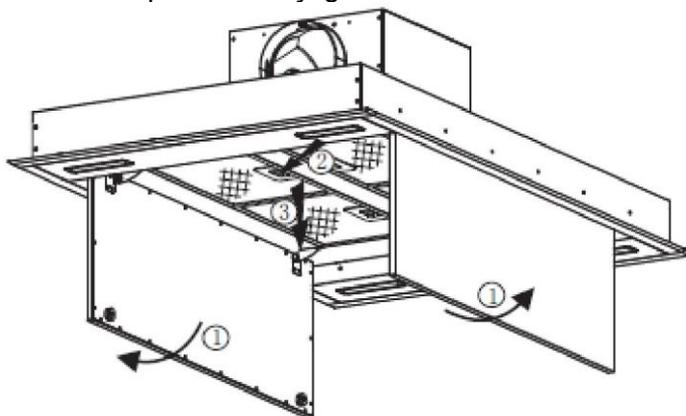
Important

Utilisez des détergents neutres et évitez les produits chimiques agressifs, les détergents ménagers puissants ou les produits contenant des abrasifs, car cela affectera l'aspect de l'appareil et pourrait éliminer les dessins imprimés sur le panneau de commande et rendre la garantie caduque.

FILTRES À TAMIS À GRAISSE

Les filtres à tamis peuvent être nettoyés à la main. Plongez-les pendant près de 3 minutes dans de l'eau avec un détergent doux, puis brossez-les délicatement avec une brosse douce. N'exercez pas une pression excessive afin d'éviter tout dommage. (Laissez-les sécher naturellement sans les placer en plein soleil)

Les filtres doivent être lavés séparément de la vaisselle et des ustensiles de cuisine. Il est conseillé de ne pas utiliser de liquide de rinçage.



INSTALLATION DES FILTRES À TAMIS À GRAISSE

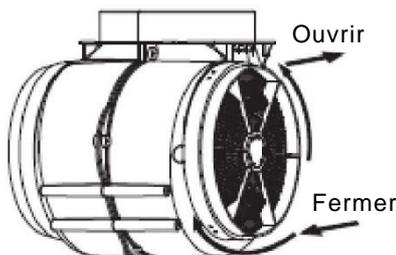
- Pour installer les filtres, suivez ces quatre étapes :
 - Inclinez le filtre pour l'introduire dans les fentes à l'arrière de la hotte ;
 - Appuyez sur le bouton situé sur la poignée du filtre ;
 - Relâchez la poignée une fois que le filtre est mis en place ;
 - Répétez cette opération pour installer tous les filtres.

FILTRE À CHARBON - non fourni

Le filtre à charbon actif peut être utilisé pour capturer les odeurs. Il faut habituellement remplacer le filtre à charbon actif tous les 3 à 6 mois en fonction de vos habitudes de cuisine. La procédure d'installation du filtre à charbon actif est indiquée ci-dessous :

Attention à la ventilation extérieure de la hotte aspirante : Si vous choisissez le sens de l'air ② ou ④, vous devez retirer le filtre et le bandeau décoratif du panneau en suivant les étapes "a" et "b" à l'étape 6 de l'INSTALLATION pour installer et retirer les filtres à charbon.

1. Avant d'installer ou de remplacer les filtres à charbon, veuillez mettre l'unité hors tension.
2. Appuyez sur le verrou du filtre et ôtez le filtre à tamis.
3. Tournez le filtre à charbon des deux côtés du moteur dans le sens contraire des aiguilles d'une montre. Remplacez les filtres à charbon par les filtres à charbon neufs.
4. Remplacez le filtre à tamis.
5. Remettez la prise murale sous tension.



REMARQUE :

- Assurez-vous que le filtre est bien verrouillé. Sinon, il pourrait se détacher et devenir dangereux.
- Quand le filtre à charbon actif est fixé, la puissance d'aspiration diminue.

REEMPLACEMENT DE L'AMPOULE

<p>Important :</p> 	<ul style="list-style-type: none"> ✧ L'ampoule doit être remplacée par le fabricant, le service après-vente ou d'autres personnes qualifiées. ✧ Coupez toujours le courant avant d'effectuer toute opération sur l'appareil. Quand vous manipulez l'ampoule, assurez-vous qu'elle ait entièrement refroidi avant tout contact direct avec les mains. ✧ Quand vous manipulez les ampoules, faites-le avec un chiffon ou des gants pour éviter tout contact entre de la transpiration et l'ampoule car cela peut réduire la durée de vie de l'ampoule.
---	---

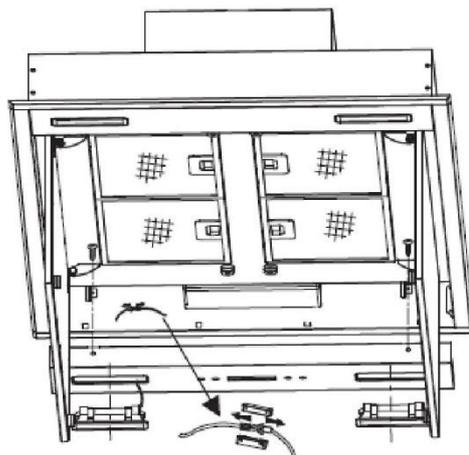
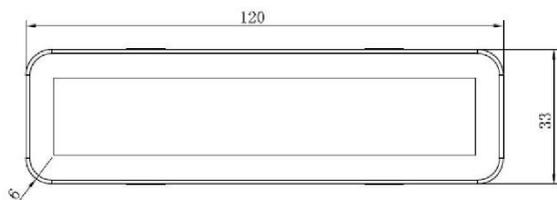
Remarque :

- Avant de changer les ampoules, assurez-vous que l'appareil a été éteint et débranché.
- Protégez-vous contre tout danger lors du remplacement des ampoules, par exemple en portant des gants.

Changer l'ampoule

À l'aide d'un tournevis, appuyez délicatement sur la lampe le long du bord pour la retirer. Puis retirez lentement le fil de la lampe pour le remplacer.

- Le code ILCOS D pour cette lampe est le suivant : **DSS-1.5/65-S-120/33**
- Modules LED - lampe rectangulaire
- Puissance maxi : 4x1,5 W
- Plage de tension : CC 12 V
- Dimensions :



PROTECTION DE L'ENVIRONNEMENT :



Cet appareil est étiqueté conformément à la Directive européenne 2012/19/UE sur les réglementations 2013 des déchets d'équipements électriques et électroniques relative aux équipements électriques et électroniques (DEEE). Les DEEE contiennent à la fois des substances polluantes (pouvant avoir un effet négatif sur l'environnement) et des éléments de base (pouvant être réutilisés). Il est important que les DEEE fassent l'objet de traitements spécifiques pour enlever et mettre au rebut les polluants et récupérer tous les matériaux.

Chaque personne peut jouer un rôle important en s'assurant que les DEEE ne deviennent pas un problème environnemental ; il est essentiel de suivre quelques règles fondamentales :

- les DEEE ne doivent pas être traités comme des déchets ménagers ;
- les DEEE doivent être amenés sur des sites de collecte spéciaux (déchèteries) gérés par la Mairie ou une entreprise agréée.

Dans de nombreux pays, les collectes chez les particuliers peuvent être disponibles pour les grands DEEE. Lors de l'achat d'un nouvel appareil, l'ancien peut être retourné au vendeur qui doit l'accepter gratuitement sous forme d'échange, à condition que l'appareil soit d'un type équivalent et qu'il possède les mêmes fonctions que l'appareil acheté.

REMARQUE :

Les indications suivantes montrent comment réduire l'impact total sur l'environnement (par ex. utilisation de l'énergie) du processus de cuisson.

- (1) Installez la hotte aspirante à un endroit approprié disposant d'une ventilation efficace.
- (2) Nettoyez la hotte aspirante régulièrement de manière à ne pas obstruer le conduit d'air.
- (3) N'oubliez pas d'éteindre la lumière de la hotte aspirante après avoir cuisiné.
- (4) N'oubliez pas d'éteindre la hotte aspirante après avoir cuisiné.

INFORMATIONS POUR LE DÉMONTAGE

Ne démontez pas l'appareil autrement que ce qui est indiqué dans le manuel d'utilisation.

L'appareil ne doit pas être démonté par l'utilisateur. À la fin de sa durée de vie, l'appareil ne doit pas être jeté avec les ordures ménagères. Adressez-vous aux autorités locales ou au revendeur pour connaître la méthode de recyclage.