

Instruction Book

Vision One

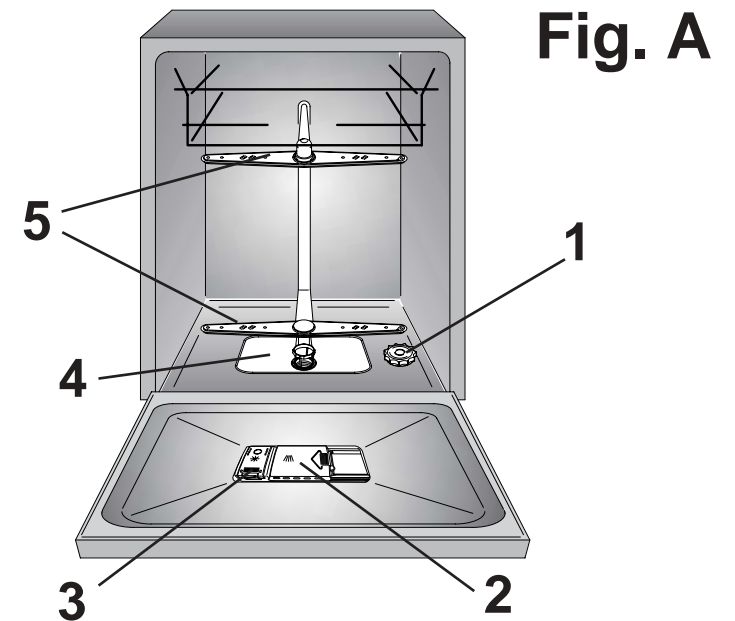
HOD 7715

DISHWASHER



CONTENTS

Safety advice	pag. 4
Setting up, installation	pag. 5
Water softener unit	pag. 9
Loading the salt	pag. 10
Adjusting the upper basket	pag. 11
Loading the dishes	pag. 12
Information for test laboratories	pag. 14
Loading the detergent	pag. 15
Types of detergent	pag. 16
Loading the rinse aid	pag. 17
Cleaning the filters	pag. 18
Some practical hints	pag. 19
Routine cleaning and maintenance	pag. 20
Description of the control panel	pag. 21
Technical data	pag. 21
Programme selection and special functions	pag. 22
Programme guide	pag. 26
Identifying minor faults	pag. 28
Your guarantee	pag. 30



Please read the instructions in this booklet carefully because they contain important information on how to install, use and maintain your dishwasher safely as well as containing useful tips on how to make the most of it.

Keep this booklet safe for future reference.

SAFETY INSTRUCTIONS

There are certain basic safety rules which are valid for any domestic appliance.

Installation

- Make sure that the plug fitted to the machine is compatible with the power supply socket. If it is not, get a suitably qualified person to fit the correct type, and to make sure that the cables to the mains socket are able to cope with the power rating of the appliance.
- Ensure that the dishwasher does not crush power cables.
- In general it is not advisable to use adaptors, multiple plugs and/or extension cables.
- Should it be necessary to replace the supply cord, call the After Sales Service Centre.

Safety

- Never touch the appliance when your hands or feet are wet or damp.
- Do not use when your feet are bare.
- Do not remove the plug from the mains supply socket by pulling the mains cable or the machine itself.
- Do not leave the appliance exposed to the elements (rain, sun etc).
- Do not let children (or others incapable of operating it) use the machine without supervision.
- Water left in the machine or on the dishes at the end of the wash programme should not be swallowed.
- The door should not be left in the open position since this could present a potential hazard (es. tripping).
- Leaning or sitting on the open door of the dishwasher could cause it to tip over.

WARNING !
Knives and other utensils with sharp points must be loaded in the basket with their points down or placed in a horizontal position.

Daily use

- This appliance is designed for domestic use only.
- The dishwasher is designed for normal kitchen utensils. Objects that have been contaminated by petrol, paint, traces of steel or iron, corrosive chemicals, acids or alkalis must not be washed in the dishwasher.
- If there is a water softening device installed in the home there is no need to add salt to the water softener fitted in the dishwasher.
- Cutlery is washed best if it is placed in the basket with the handles downwards.
- If the appliance breaks down or stops working properly, switch it off, turn off the water supply and do not tamper with it. Repair work should only be carried out by an approved service agent and only genuine spare parts should be fitted. Any failure to follow the above advice may have serious consequences for the safety of the appliance.

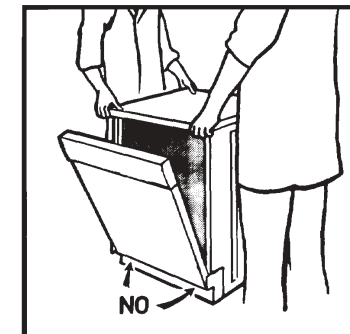
Disposal

- The dishwasher has been made from materials which can be recycled so that it can be disposed of in an environmentally friendly way.
- If you wish to dispose of an old dishwasher be careful to remove the door to eliminate the risk of children becoming trapped inside it.

INSTALLATION

(Technical notes)

- After unpacking, adjust the height of the dishwasher. For the dishwasher to work correctly it must be level. Adjust the feet so that the machine does not tilt by more than 2 degrees.
- If it you need to move the machine after removing the packaging, do not try to lift it by the bottom of the door. Follow the instructions in the figure. Open the door slightly and lift the machine by holding on the top.



IMPORTANT

When the appliance is located on a carpet floor, attention must be paid to ensure that there is no obstruction to the bottom vents.

Make sure that the plug on the appliance remains accessible after installation.

Electrical connection


Plug your dishwasher into the power socket.

If the plug we supply does not fit :

■ CUT IT OFF AND DESTROY IT!

You can't use it on other appliances, and the exposed wires could be dangerous if anyone plugged it in.

■ Fit a suitable plug, as follows:

Connect	to the terminal in the plug
Green and yellow wire	Marked with the letter E, OR marked with the Earth symbol,  OR coloured green, OR coloured green and yellow.
Blue wire	Marked N, OR coloured black.
Brown wire	Marked L, OR coloured red.

WARNING!
THIS APPLIANCE MUST BE EARTHED.

Fuses and plugs

This appliance should be used only on a socket with a minimum rating of 13 Amp.

Our ready-fitted plug is already equipped with a 13 amp fuse which is BS 1362 ASTA approved.

Any replacement should be exactly the same.

If the fuse cover is lost, do not use the plug until it is replaced.

A correct replacement fuse cover (obtainable from your dealer or Electricity board) must be the same colour as shown or named on the insert on the base of the plug.

Manufacturer declines all responsibility for any damage due to non-earthing of the machine.

CE This appliance complies with Directives 89/336/EEC, 73/23/EEC and following changes.

Water connection

IMPORTANT

The appliance must be connected to the water mains using new hose-sets. The old hose-sets should not be reused.

- The inlet and drain hoses can be directed to left or right.

IMPORTANT

The dishwasher can be connected to either cold or hot water, as long as it is no hotter than 60 °C.

- Water pressure must be between 0,08 MPa and 0,8 MPa. If the pressure is below the minimum consult our service department for advice.

- The inlet hose must be connected to a tap so that the water supply can be cut off when the machine is not in use (fig. 1 B).

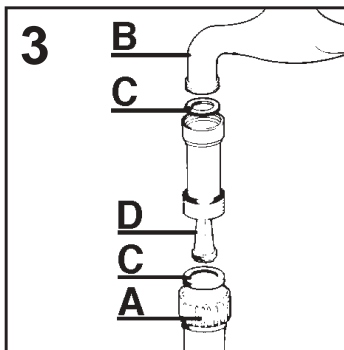
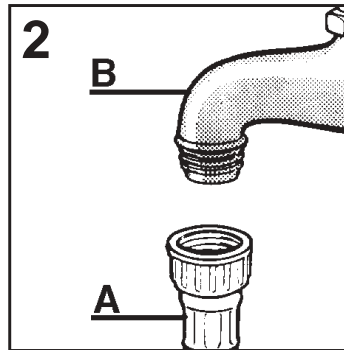
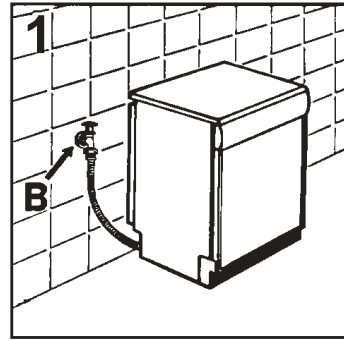
- The dishwasher is fitted with 3/4" threaded connector (fig. 2).

- Connect inlet hose "A" to water tap "B" with a 3/4" attachment making sure that it has been properly tightened.

- If it is necessary, the inlet pipe can be lengthened up to 2,5 m. The extension pipe is available from the After Sales Service Centre.

- If limescale deposits or sand are present in the water, it is advisable to obtain the appropriate filter, art. 9226085, from the After Sales Service Centre (fig. 3). The filter "D" must be inserted between the tap "B" and the inlet hose "A", remembering to fit the washer "C".

- If the dishwasher is connected to new pipes or to pipes which have not been in use for a long time run water through for a few minutes before connecting the inlet hose. In this way no deposits of sand or rust will clog up the water inflow filter.



Connecting the outlet hose

- The outlet hose should discharge into a standpipe, making sure that there are no kinks (fig. 4).

- The standpipe must be at least 40 cm above floor level and it must have an internal diameter of at least 4 cm.

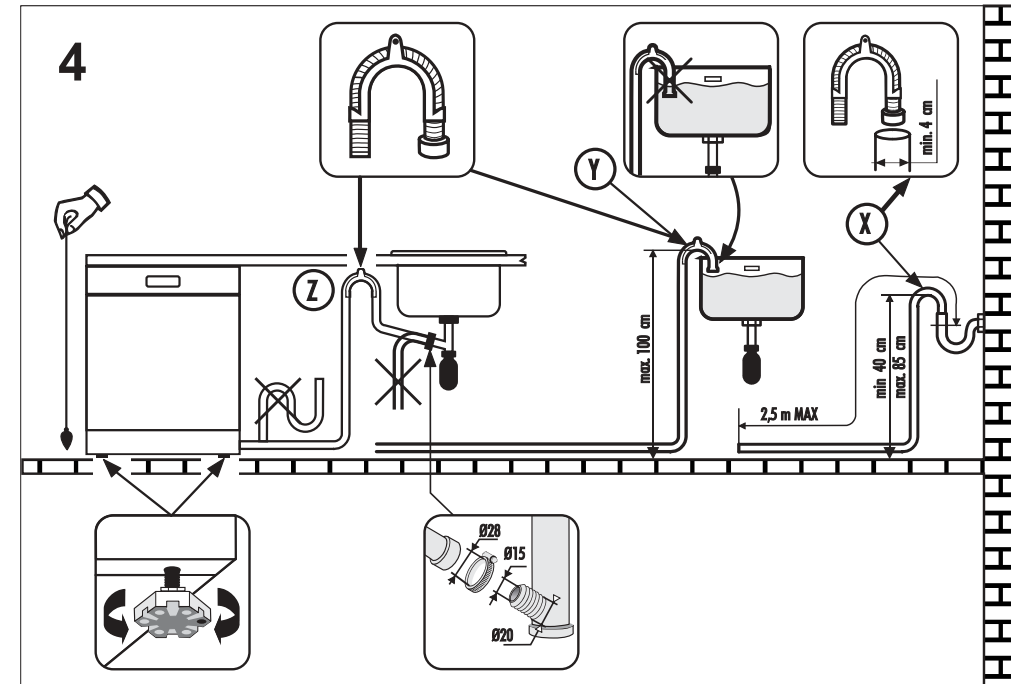
- It is advisable to fit an anti-odour air trap (fig. 4X).

- If necessary the outlet hose can be extended up to 2,5 m, provided that it is kept at a maximum height of 85 cm above floor level. The extension pipe is available from the After Sales Service Centre.

- The hose can be hooked over the side of the sink, but it must not be immersed in water, in order to prevent water from being syphoned back to the machine when this is in operation (fig. 4Y).

- When installing the appliance under a worktop the hose pipe clamp must be attached to the wall in the highest possible position under the worktop (fig. 4Z).

- Check that there are no kinks in the inlet and outlet hoses.



INSTALLATION IN FITTED KITCHENS

Fitting between existing cabinets

- The height of the dishwasher, 85 cm, has been designed in order to allow the machine to be fitted between existing cabinets of the same height in modern fitted kitchens. The feet can be adjusted so that correct height is reached.
- The laminated top of the machine does not require any particular care since it is heatproof, scratchproof and stainproof (fig. 5).

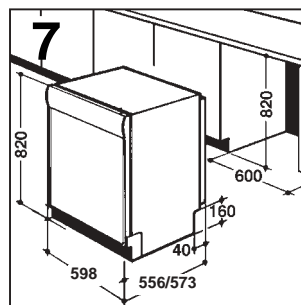
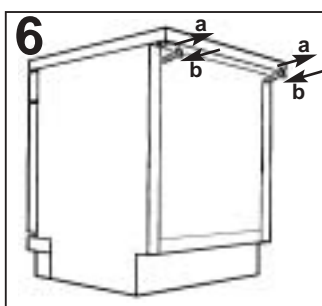
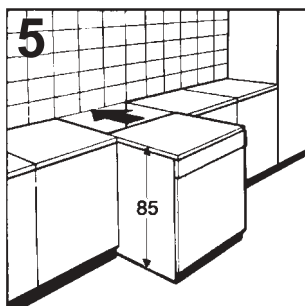
Underneath existing work top

(when fitting beneath a work top)

- In most modern fitted kitchens there is only one single work top under which cabinets and electrical appliances are fitted. In this case remove the work top of the dishwasher by unscrewing the screws under the rear edge of the top (fig. 6a).

IMPORTANT
After removing the work top, the screws **MUST BE** screwed again under the rear edge of the top (fig. 6b).

- The height will then be reduced to 82 cm, as scheduled by the International Regulations (ISO) and the dishwasher will fit perfectly under the kitchen working top (fig. 7).



Opening the door

Put your hand into the recess and pull. If the machine comes open while it is working, an electrical safety device automatically switches everything off.

IMPORTANT
For the machine to work properly, the door should not be opened while it is in operation.

Closing the door

Place the baskets in the machine. Make sure that both the spray arms are free to rotate and are not obstructed by cutlery, crockery or pans. Close the door, pressing on it to make sure it is firmly shut.

WATER SOFTENER UNIT

Depending on the source of the supply, water contains varying amounts of limestone and minerals which are deposited on the dishes leaving whitish stains and marks. The higher the level of these minerals present in the water, the harder the water is. The dishwasher is fitted with a water softener unit which, through the use of special regenerating salt, supplies softened water for washing the dishes. The degree of hardness of your water can be obtained from your water supply company.

Regulating the water softener with electronic programmer

The water softener can treat water with a hardness level of up to 90°FH (French grading) or 50°dH (German grading) through 8 settings.

The settings are listed in the table below:

Level	Water hardness		Use of regenerating salt	Water softener setting
	°fH (French)	°dH (German)		
0	0-5	0-3	NO	d1
1	6-10	4-6	YES	d1
2	11-20	7-11	YES	d2
3	21-30	12-16	YES	d3
*4	31-40	17-22	YES	d4
5	41-50	23-27	YES	d5
6	51-60	28-33	YES	d6
7	61-90	34-50	YES	d7

* The softener unit is set in the factory at level 4 (d4) as this satisfies the requirements of the majority of users.

Regulate the setting of your water softener unit according to the degree of hardness of your water as follows:

1. Keep the "DELAY START" button pressed in and at the same time press the "ON/OFF" button (⏻).

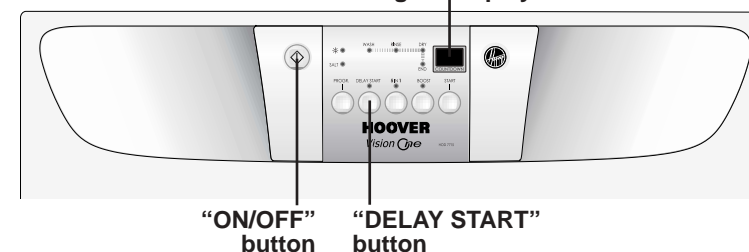
The factory setting "d4" will appear on the display.

2. To change the setting, press the "DELAY START" button. Each time you press that button the setting will increase by one level.

When you have reached "d7", the display will go back to "d1".

3. When the required setting appears on the display, wait for an audible signal to confirm that the new setting has been stored in memory.

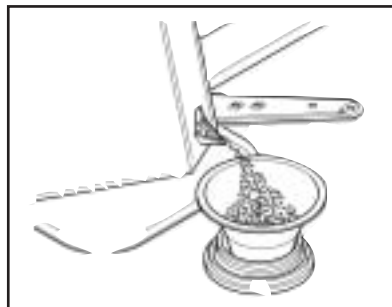
Digital display



LOADING THE SALT

- On the bottom of the machine there is a container for the salt for regenerating the softener.
- It is important to use only a salt that is specifically designed for dishwasher. Other types of salt contain small quantities of insoluble particles which over a long period of time may affect and deteriorate the softener performance.
- To add salt, unscrew the cap of the container on the bottom and then refill the container.
- During this operation a little water will overflow; but keep adding salt until the container is full. When the container is full, clean the thread of salt residue and retighten the tap.
- After loading the salt, it is recommended running a complete washing cycle, or COLD RINSE programme. The salt dispenser has a capacity of between 1.5 and 1.8 kg and, for efficient use of the appliance, it should be refilled from time to time according to the regulation of the water softener unit.

IMPORTANT
(Only for first start up)
When the appliance is used for the first time, after completely filling the salt container, it is necessary to add water until the container overflows.



Salt loading indicator

This model is provided with an indicator light on the control panel which will light up when it is necessary to reload the salt container.

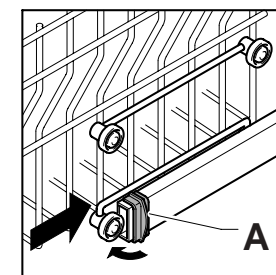
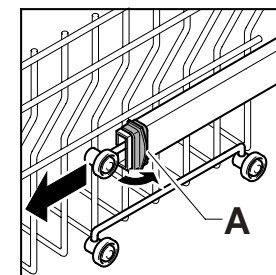
IMPORTANT
The appearance of white stains on dishes is generally an important sign that the salt container needs filling.

ADJUSTMENT OF THE UPPER BASKET

If 27 cm to 31 cm plates are normally used, load them onto the lower basket after the upper basket has been placed in its upper position and proceed as detailed below:

1. Turn the front stops "A" outwards;
2. Take out the basket and remount it in the upper position;
3. Replace the blocks "A" in their original position.

Dishes that are bigger than 20 cm in diameter can no longer be loaded onto the upper basket and the mobile supports cannot be used when the basket is in the upper position.



LOADING DISHES

Using the upper basket

■ The upper basket is provided with mobile racks hooked to the sides of the basket which can be regulated in two positions: upright and lowered. In the lowered position the racks may be used for tea and coffee cups, kitchen knives and ladles. Glasses with stems may be safely hung on the ends of the racks. Glasses, cups, saucers and dessert plates may be loaded under the racks.

■ Soup plates and ordinary plates may be loaded with the rack in the upright position. Plates should be loaded vertically with the underside of the plate towards the back of the dishwasher with a space between each plate to allow water to pass freely.

■ It is advisable to load plates of the same size together in order to utilize maximum basket capacity.

■ Plates may be loaded in a single row (fig. 1) or on both rows (fig. 2).

■ It is advisable to load large plates (approx. 27 or more cm) slightly tilted towards the rear to facilitate introduction of the basket into the machine.

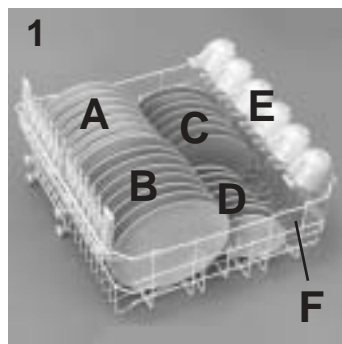
■ Salad bowls and plastic bowls may also be loaded on the upper basket. It is advisable to block these in place so that the jets of water do not make them overturn.

■ The upper basket has been designed to offer maximum flexibility in use and can be loaded with up to 24 plates on two rows, up to 30 glasses on five rows or a mixed load.

A standard daily load is represented in figs. 1 and 2.

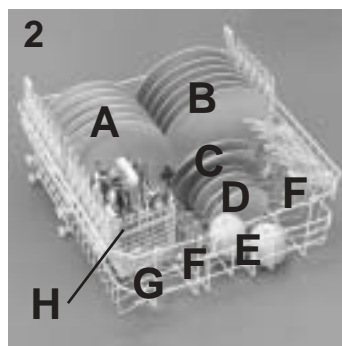
Upper basket (fig. 1)

A = soup plates
B = dinner plates
C = dessert plates
D = saucers
E = cups
F = glasses



Upper basket (fig. 2)

A = soup plates
B = dinner plates
C = dessert plates
D = saucers
E = cups
F = glasses with stems
G = glass
H = cutlery basket



Using the lower basket

■ Saucepans, oven dishes, tureens, salad bowls, lids, serving dishes, dinner plates, soup plates and ladles can be loaded on the lower basket.

■ Place the cutlery in the plastic cutlery holder with the handles pointing upwards.

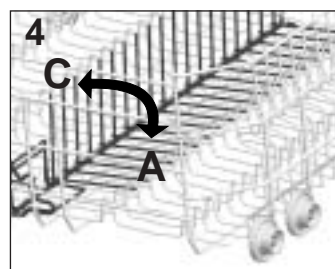
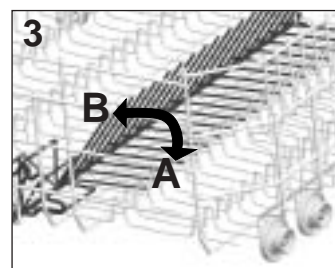
■ Place the cutlery holder on the lower basket (fig. 6), making sure that the cutlery does not get in the way of the rotating arms.

■ The lower basket is fitted with a special adjustable central rack (fig. 3 and 4). This permits stable and optimum loading, even when the size and/or shape of the dishes is non-standard.

- POSITION "A": for a standard load, or one that excludes pans, salad bowls and the like.

- POSITION "B": for dishes which, although standard size, have a particular shape (very deep bowls, square dishes or ones without borders etc.).

- POSITION "C": for larger than average flat plates and/or ones with non-standard shapes (square, hexagonal, oval, pizza dishes etc.).

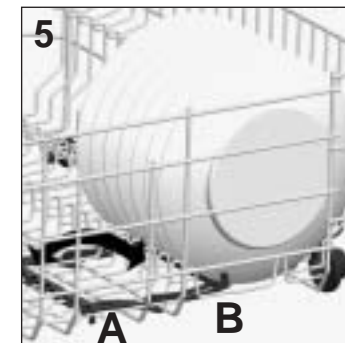


■ The small plates, as those used for desserts for example, must be placed in the lower basket as shown in the figure 5, with the support flap placed outwards ("B"). For normal or large plates the flap must be in the position ("A").



WARNING!

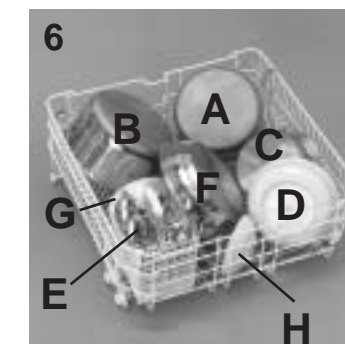
If the small plates are placed in the basket with the support flap in the incorrect position, the plates will interfere with the lower spraying arm preventing it to rotate.



A standard daily load is represented in fig. 6.

Lower basket (fig. 6)

A = medium-sized saucepan
B = large saucepan
C = frying pan
D = tureens, serving dishes
E = cutlery
F = oven dishes
G = medium bowl
H = small bowl



Please load the dishwasher sensibly to ensure the best wash results.

IMPORTANT

The lower basket has a safety-stop device, for its safe extraction, also especially useful with a full load. For loading salt, cleaning filter and for ordinary maintenance, the complete extraction of the basket is necessary.

Cutlery basket

The top of cutlery basket can be removed, for enable various loading options.

INFORMATION FOR THE TEST LABORATORIES

General programme comparison (Ref. EN 50242 Standards)

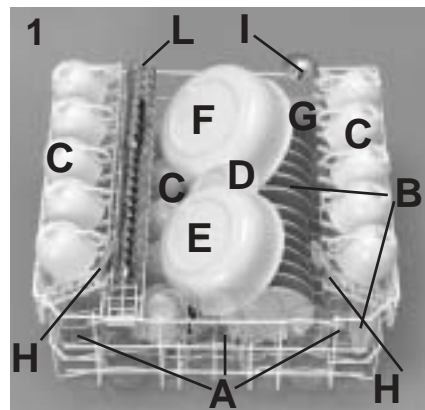
(see programmes selection)

1. Upper basket position: low
2. Normal load
3. Shine setting: 6

4. Amount of detergent:
 - 9,5 g for pre-wash;
 - 28 g for wash.

15 international place load (Ref. EN 50242 Standards)

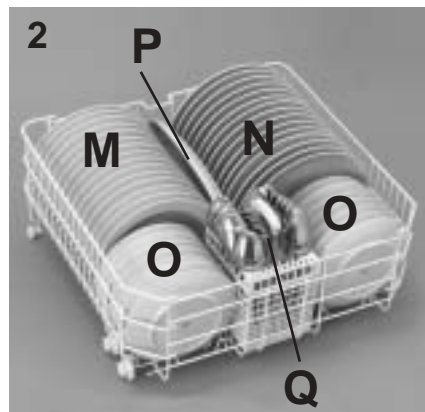
Correct loading is indicated, in **fig. 1** for the upper basket, in **fig. 2** for the lower basket and in **fig. 3** for the cutlery basket.



Upper basket (fig. 1)

- A = 5 + 5 + 5 glasses
- B = 12 + 3 saucers
- C = 5 + 5 + 5 cups
- D = small bowl
- E = medium bowl
- F = large bowl
- G = dessert plate
- H = 1 + 1 serving spoons
- I = ladle
- L = cutlery

- 1 = 15 dessert spoons
- 2 = 15 forks
- 3 = 12 teaspoons



Lower basket (fig. 2)

- M = 15 soup plates
- N = 15 dinner plates
- O = 7 + 7 dessert plates
- P = serving dish
- Q = cutlery



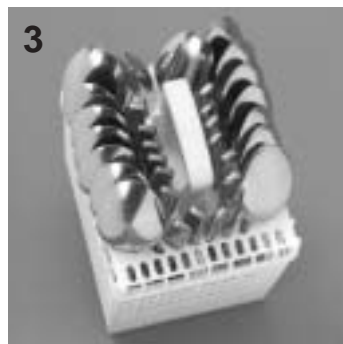
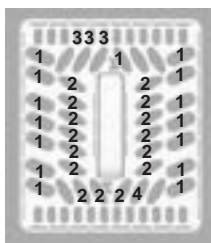
ATTENTION!

Before loading the lower basket, please remove the adjustable central rack.

Cutlery basket (fig. 3)

Insert the cutlery as indicated in figure.

- 1 = spoons
- 2 = knives
- 3 = teaspoons
- 4 = serving fork



LOADING THE DETERGENT

The detergent

IMPORTANT

It is essential to use a detergent that is specifically designed for dishwashers either in powder, liquid or tablet form.

"FINISH" gives very good results and can be easily obtained.

Unsuitable detergents (like those for washing up by hand) do not contain the proper ingredients for use in a dishwasher, and stop the dishwasher from working correctly.

Filling the detergent container

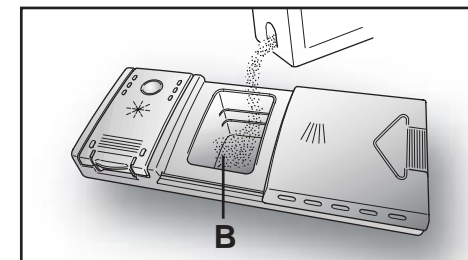
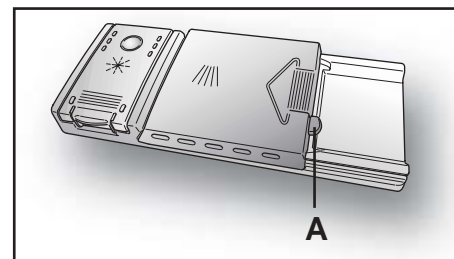
The detergent container is inside the door (fig. A "2"). If the lid of the container is closed, press the button (A) to open. At the end of every wash cycle the lid is always open and ready for the next time the dishwasher is used.



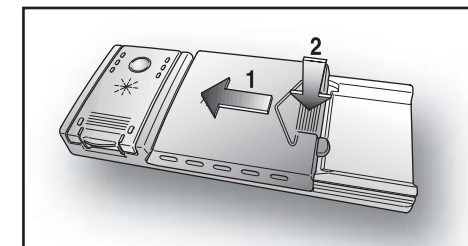
WARNING!

When loading the lower basket, please ensure that the plates or others do not obstruct the detergent dispenser.

The amount of detergent to be used varies according to how dirty the dishes are and on the type of dishes to be washed. We advise using 20-30 g of detergent in the wash section of detergent compartment (B).



After pouring the detergent into the container, close the lid, firstly pushing (1) and then pressing on it (2) until you hear the click.



Since not all detergents are the same the instructions on the boxes of detergent can vary. We should just like to remind users that too little detergent does not clean the dishes properly whilst too much detergent will not produce better results and is also a waste.

IMPORTANT

Do not use an excessive amount of detergent and help limit damage to the environment at the same time.

TYPES OF DETERGENT

Detergent tablets

Detergent tablets of different manufacturers dissolve at different speeds, for this reason, during short programmes, some detergent tablets may be not fully effective, because they are not completely dissolved. If these products are used, is recommended to choose longer programmes to guarantee the complete use of the detergent.

IMPORTANT

To get satisfactory washing results, the tablets **MUST** be placed in the wash section of the detergent container and **NOT** directly in the tub.

Concentrated detergents

The concentrated detergents, with reduced alkalinity and with natural enzymes, in conjunction with 50°C wash programmes, have a smaller impact on the environment and they protect the dishes and the dishwasher.

The 50°C wash programmes purposely exploit the dirt-dissolving properties of the enzymes, allowing therefore, with the use of the concentrated detergents, to achieve the same results of the 65°C programmes but at a lower temperature.

Combined detergents

The detergents that also contain the rinse aid must be placed in the wash section of the detergent container. The rinse aid container must be empty (if it is not empty, set the rinse aid regulator to lowest position before using combined detergents).

"3 in 1"/"4 in 1"/"5 in 1" combined detergents

If you are planning to use combined detergents i.e. those with built in salt and/or rinse agent, we would advise the following:

- read carefully and follow the manufacturer's instructions given on the packaging;

- the effectiveness of detergents containing the built in water softener/salt depends on the hardness of your water supply. Check that the hardness of your water supply is within the effective range given on the detergent packaging.

If when using this type of product, you don't get satisfactory washing results, please contact the detergent manufacturer.

In certain circumstances use of combined detergents can cause:

- limescale deposits on dishes or in the dishwasher;
- a reduction in washing and drying performance.

IMPORTANT

Any problems which arise as a direct result of the use of these products are not covered by our warranty.

Please note that using the "3 in 1"/"4 in 1"/"5 in 1" combined detergents, the rinse aid and salt indicator lights (only used on selected models) are superfluous, so you must ignore the lights.

If washing and/or drying problems occur, we recommend you return to use traditional separate products (salt, detergent and rinse agent). This will ensure that the water softener in the dishwasher operates correctly.

In this case, we recommends that you:

- refill both the salt and rinse aid container;
- run one normal washing cycle without a load.

Please note that on return to the use of conventional salt, a number of cycles will be required before the system becomes fully efficient again.

LOADING THE RINSE AID

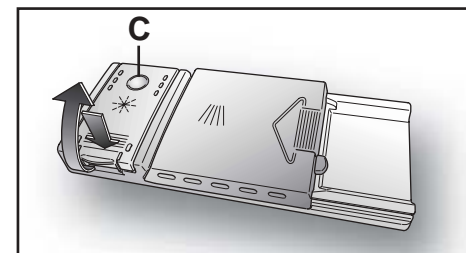
The rinse aid

The rinse aid, which is automatically released during the last rinsing cycle, helps the dishes to dry quickly and prevents spots and stains forming.

Filling the rinse aid container

The rinse aid container can be found to the left of the detergent container (fig. A "3"). To open the lid, push the reference mark and, in the same time, pull the tab of opening.

It is always advisable to use rinse aid that is specifically designed for dishwasher. Check the rinse aid level through the indicator eye (C) which is located on the dispenser.



FULL

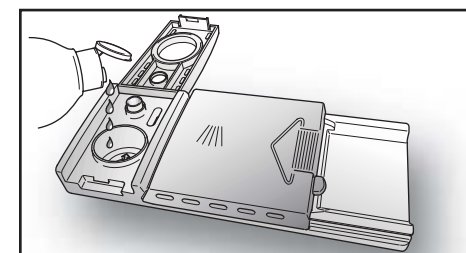


dark

EMPTY



light



Regulating the rinse aid from 1 to 6

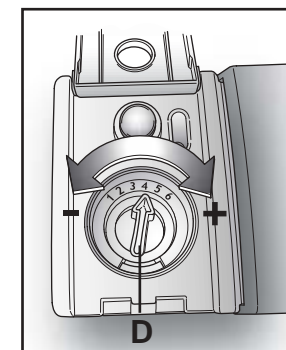
The regulator (D) is placed under the lid and can be turned using a coin.

The recommended position is 4.

The limestone content of the water considerably affects the formation of limescale and the drying performance.

It is therefore important to regulate the quantity of rinse aid to achieve good washing results.

If, after the wash, streaks occur on the dishes, decrease the amount by one position. If whitish spots occur, increase the amount by one position.



CLEANING THE FILTERS

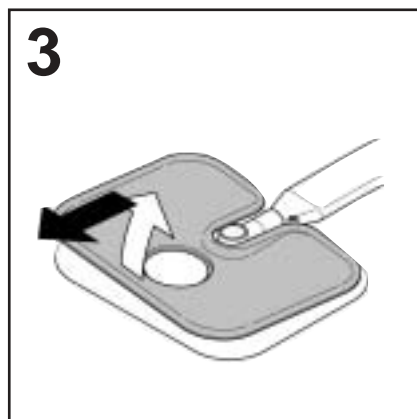
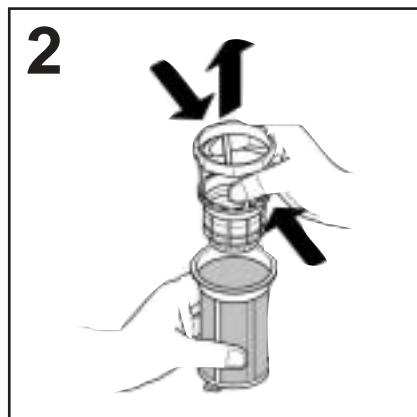
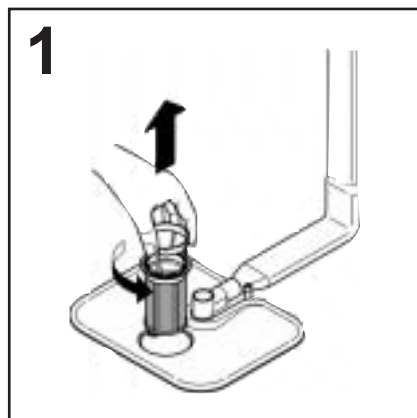
The filter system (fig.A “4”) consists of:

a central **container** that traps the larger particles;

a **flat gauze** that continuously filters the wash water;

a **micro filter**, located beneath the gauze, that traps the tiniest particles ensuring a perfect rinse.

- To achieve excellent results every time, the filters should be checked and cleaned after each wash.
- To remove the filter unit, simply turn the handle anticlockwise (fig. 1).
- For ease of cleaning, the central container is removable (fig. 2).
- Remove the gauze filter (fig.3) and wash the whole unit under a jet of water. If necessary a small brush can be used.
- With the **Self-cleaning Micro filter**, maintenance is reduced and the filter unit need only be checked every two weeks. Nevertheless, after each wash it is advisable to check that the central container and the gauze filter are not clogged.



WARNING!

After cleaning the filters, make sure that they are correctly reassembled and that the gauze filter is properly positioned at the bottom of the dishwasher.

Make sure that the filter is screwed back, clockwise, into the gauze, as poor seating of the filter unit could have an adverse effect on the efficiency of the appliance.

IMPORTANT

Never use the dishwasher without the filters.

PRATICAL HINTS

How to get really good wash results

- Before placing the dishes in the dishwasher, remove any remaining food (bones, shells, pieces of meat or vegetables, coffee grounds, skin of fruit, cigarette ash, tooth picks etc. to avoid blocking the filters, water outlet and washing arm nozzles.
- Try not to rinse the dishes before loading them into the dishwasher.
- If saucepans and oven dishes are encrusted with the remains of burnt or roast food, it is advisable to leave them to soak before washing.
- Place the dishes face downwards.
- Try to place the dishes in such a way that they are not touching one another. If they are loaded properly you will get better results.
- After loading the dishes check that the washing arms can rotate freely.
- Pans and other dishes that have particularly stubborn food particles or remnants of burnt food should be left to soak in water with dishwasher detergent.
- To wash silver properly:
 - a) rinse the silver immediately after use, especially if it has been used for mayonnaise, eggs, fish etc.;
 - b) do not sprinkle detergent onto it;
 - c) keep it separate from other metals.

How to make savings

- If you want the dishwasher to give a complete wash, place the dishes in the dishwasher at the end of each meal and if necessary turn on the COLD RINSE cycle to soften the food remains and remove bigger particles of food from the new load of dishes. When the dishwasher is full start the complete wash cycle programme.
- If the dishes are not very dirty or if the baskets are not very full select an ECONOMY programme, following the instructions in the program list.

What not to wash

- It should be remembered that not all dishes are suitable for washing in a dishwasher. We advise against using the dishwasher to wash items in thermoplastic, cutlery with wooden or plastic handles, saucepans with wooden handles, items in aluminium, crystal, leaded glass unless otherwise stated.
- Certain decorations may fade. It is therefore a good idea before loading the whole batch to wash just one of the items first so as to be sure that others like it will not fade.
- It is a good idea not to put silver cutlery with non-stainless steel handles into the dishwasher as there could be a chemical reaction between them.

IMPORTANT

When buying new crockery or cutlery always make sure that they are suitable for washing in a dishwasher.

Useful hints

- In order to avoid any dripping from the top rack, remove the lower rack first.
- If the dishes are to be left in the machine for some time, leave the door ajar, to let some air circulate and to improve the drying performance.

CLEANING AND MAINTENANCE

- To clean the dishwasher outside, do not use solvents (degreasing action) neither abrasives, but only a cloth soaked with water.
- The dishwasher does not require special maintenance, because the tank is self-cleaning.
- Regularly wipe the door gasket with a damp cloth to remove any food remains or rinse aid.
- It is advisable to remove limestone deposits or dirt periodically, by doing an empty wash; pour a glass of vinegar on the bottom of the tank and select the light wash.
- If, in spite of the routine cleaning of the filters, you notice that the dishes or pans are not properly washed or rinsed, check that all the spray heads on the rotor arms (**fig. A "5"**) are clear.

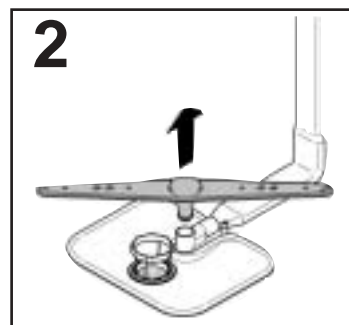
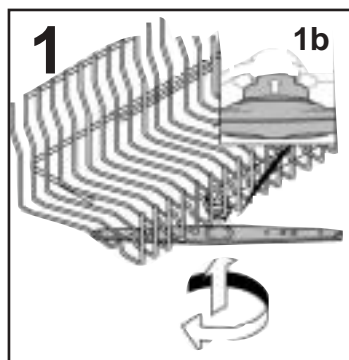
If they are blocked, clean them in the following way:

1. to remove the upper rotor arm, turn it until it lines up with the stop marked by the arrow (**fig. 1**). Push it upwards (**fig. 1b**) and, keeping it pushed in, unscrew it in a clockwise direction (**to reassemble it repeat the same operation, but turn it anticlockwise**). The lower rotor arm can be removed simply by pulling it upwards (**fig. 2**);

2. wash the rotor arms under a jet of water to clear any blockage in the spray heads;
3. when you have finished, refit the rotor arms in the same position, remembering to re-align the arrow and screw into position.

■ Both the door lining and the tank lining are in stainless steel; however, should spots caused by oxidation occur, this is probably due to a high level of iron salts presents in the water.

■ The spots can be removed with a mild abrasive agent; never use chlorine based materials, steel wool, etc.



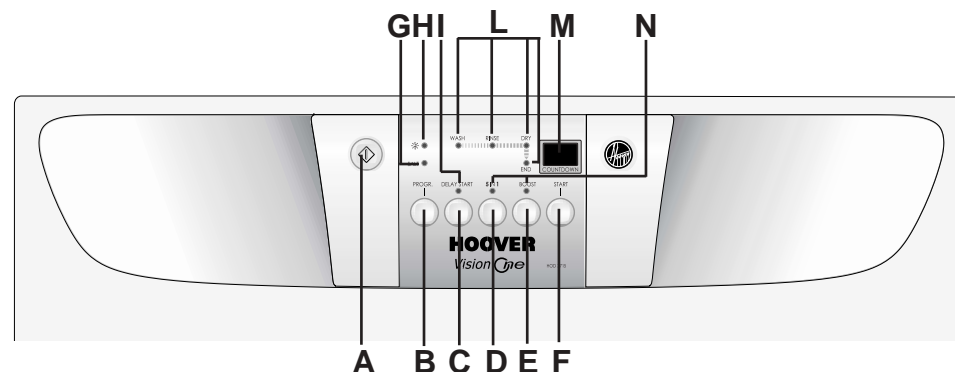
WHEN CYCLE IS FINISHED

After every wash it is essential to turn off water supply and to switch off the machine by pressing the On/Off button to the off position.

If the machine is not going to be used for some time, it is advisable to follow these rules:

1. do an empty wash with detergent in order to clean the machine of any deposits;
2. pull out the electric plug;
3. turn off the water tap;
4. fill the rinse aid container;
5. leave the door ajar;
6. keep the inside of the machine clean;
7. If the machine is left in places where the temperature is below 0°C any water left inside the pipes may freeze. Wait until the temperature rises above zero and then wait for about 24 hours before starting up the dishwasher.

DESCRIPTION OF THE CONTROL PANEL



- | | |
|---------------------------------------|------------------------------------|
| A "ON/OFF" button | G "SALT EMPTY" light |
| B "PROGRAMME SELECTION" button | H "RINSE AID EMPTY" light |
| C "DELAY START" button | I "DELAY START" light |
| D "5 IN 1" option button | L "PROGRAMME STATUS" lights |
| E "BOOST" option button | M DIGITAL DISPLAY |
| F "START PROGRAMME" button | N "OPTION SELECTION" lights |

DIMENSIONS:

		with working top	without working top
Height	cm	85	82
Depth	cm	60	57,3
Width	cm	60	59,8
Depth with door open	cm	120	117

TECHNICAL DATA:

EN 50242 place load	15
Capacity with pans and dishes	9 persons
Water supply pressure	Min. 0,08 - Max 0,8 MPa
Fuse	(see rating plate)
Power input	(see rating plate)
Supply voltage	(see rating plate)

PROGRAMME SELECTION AND SPECIAL FUNCTIONS


(Use in conjunction with programme guide)

IMPORTANT

The dishwasher has two very practical functions:

- the "recommended" programme (which is ideal for full load daily use) for quick and accurate selection;
- the "Auto' Memory", function saves any programme used at least 3 times consecutively, so that if you regularly use the same washing cycle you do not have to continually set the programme thereby saving time and effort.

Programme settings

- Open the door and place the dirty dishes inside the appliance.
- Press the "ON/OFF" button .
- After pressing the "ON/OFF" button, the programme which is factory set at "recommended" or the "Auto' Memory" programme will appear on the display.
- To select an option, press the corresponding button (the indicator light will turn on).

Option buttons must be pressed BEFORE starting the programme for them to be accepted.

- To set another programme, press the "PROGRAMME SELECTION" button ("PROGR.").

- When the required programme is shown in the display, press the "START" button. The length of the program will be shown on the display alternating hours with minutes [l.e.: 1 h] (1 hour) / [25] (25 minutes)].

If the previously described operations were performed with the door open, the programme will not start until the door is closed.

Programme interruption

Opening the door when a programme is running is not recommended especially during the main wash and final hot rinse phases. However, if the door is opened while a programme is running (for example, to add dishes) the machine stops automatically and the display will flash the remaining time before the end of the cycle. Close the door, *without pressing any buttons*. The cycle will start from where it left off.

IMPORTANT

A running program can be interrupted without opening the door by pausing the dishwasher.
To pause, hold the "START" button down for at least 3 seconds and release when the running program starts blinking on the display.
Simply press the "START" button again to restart the cycle from where it left off.

! WARNING!

If you open the door during the drying cycle, an audible audio signal advises you that the drying cycle has not yet finished.

Changing a running programme

Proceed as follows to change or cancel a running programme:

- Hold the "START" button down for at least 5 seconds (the running programme will be cancelled).
- At this point a new programme can be set.



WARNING!

Before starting a new programme, you should check that there is still detergent in the dispenser. If necessary, top up the dispenser.

If there is any break in the power supply while the dishwasher is operating, a special memory stores the selected programme and, when the power is restored, it continues where it left off.

Programme operations

When a programme is running, the time until the end of the cycle will be displayed and the 4 "PROGRAMME STATUS" indicator lights ("WASH", "RINSE", "DRY", "END") will light *singularly and in sequence* to indicate the current phase.

Programme end

A 5 second alarm will sound (if not muted) 3 times at 30 second intervals to signal that the programme has ended. The programme end indicator light will light up and the display will go blank. Dishes can now be removed and the dishwasher turned off by pressing the "ON/OFF" button or dishes can be loaded for a new cycle.

Option buttons

IMPORTANT

All options MUST be turned on or off, BEFORE pressing "START" button.

"5 IN 1" button

This option optimises the use of "3 in 1"/"4 in 1"/"5 in 1" combined detergents. By pressing this button, the selected washing programme is modified to get the best performance from combined detergents; furthermore, the salt and rinse aid shortage lights are de-activated.



WARNING!

Once selected, this option keeps being on (light on) also for next washing cycles and it can be de-activate (light off) only by pressing the button once again.

IMPORTANT

When this option is selected, the "RAPID" cycle is 10 minutes longer.

"BOOST" button

The "BOOST" button provides over 20% time and energy savings by reducing the final water heating and drying times during the last rinse cycle. This option is recommended for light soil washes, and for when the dishes are not required perfectly dry straight away. If you want to get better drying, we advise to leave the dishwasher door slightly ajar at the end of the cycle, to allow for a natural circulation of air inside the dishwasher.

"DELAY START" button

Dishwasher start time can be set with this button, delaying start from 1 to 23 hours.

Proceed as follows to set a delayed start:

- Press the "DELAY START" button ("00" will appear on the display).
- Press the button again to increase the delay in hours (each time the button is pressed the delay is increased by 1 hour to a maximum of 23). The "DELAY START" indicator light will turn on.
- To start the countdown press the "START" button (the "DELAY START" indicator light will start to flash). At the end of the countdown, the programme will automatically start (the "DELAY START" indicator light will turn off).

If you wish to see which programme has been selected, press the "PROGRAMME SELECTION" button.

Proceed as follows to cancel a delayed start:

- Hold the "START" button down for at least 5 seconds.
- At this point, a new programme and option buttons must be set to start a new programme as indicated in the "PROGRAMME SETTINGS" section.

Alarm mute for the PROGRAMME END

The alarm for the programme end may be muted as follows:

- With the dishwasher off, hold down the "PROGRAMME SELECTION" button for few seconds while simultaneously pushing the "ON/OFF" button.
- "b1" will appear on the display to indicate that the alarm is on.
- Press the "PROGRAMME SELECTION" button again ("b0" will appear on the display to indicate that the alarm is off).
- Wait for the alarm to sound to indicate that the settings were saved.
- To turn the alarm on again, follow the same procedure ("b1" will appear on the display to indicate that the alarm is on).

IMPORTANT

This dishwasher is equipped with an anti-overflow safety device which will automatically discharge any excess water should a problem occur.



WARNING!

To ensure the correct operation of the anti-overflow safety device, we recommend that the dishwasher is not moved or tilted during operation. If however it is necessary to tilt or move the dishwasher, please ensure that the washing cycle is complete and that there is no remaining water inside the dishwasher.

The dishwasher is able to signal a series of faults in the display.

AUTOMATIC FAULT SIGNALS








FAULTS	CAUSE	SOLUTION
E2 appears on the display and the alarm sounds.	No water (inlet hose closed).	Turn off the dishwasher, open the inlet hose and reset the cycle.
E3 appears on the display and the alarm sounds.	The machine cannot drain water.	Check if the drain tube is bent or if the siphon or filters are clogged. If the problem persists, contact Customer Service.
E4 appears on the display and the alarm sounds.	Water leak	Check if the drain tube is bent or if the siphon or filters are clogged. If the problem persists, contact Customer Service.
E5 appears on the display and the alarm sounds.	Electronic temperature control fault.	Contact Customer Service.
E6 appears on the display and the alarm sounds.	Electronic control fault.	Contact Customer Service.
E8 or Ei appear on the display and the alarm sounds.	The water heating element is not working correctly or the filter plate is clogged.	Clean the filter plate. If the problem persists, contact Customer Service.

PROGRAMME GUIDE

Wash with prewash

If setting the **INTENSIVE** wash programme, a second dose of about 20 g of detergent (1 table-spoon) must be added directly in the machine. For **A WASH 59'** programme add 5 g.

Programme	Description
-----------	-------------

 65°C	UNIVERSAL	(“RECOMMENDED” PROGRAMME) Once a day - for normal soiled pans and any other items that have been left all day for washing.
 75°C	INTENSIVE	Once a day - for heavily soiled pans and any other items that have been left all day for washing.
 70°C	A WASH 59'	Suitable for heavily soiled items that are to be washed straight after a meal (Max 8 place load). - WASHING CLASS A-
 45°C	ECO	Energy Saving Programme suitable for normal soiled items. Using detergents with enzyme. Programme standardised to EN 50242.
 45°C	DELICATE	Suitable for delicate crockery and glassware. Also for less soiled items excluding pans.
 50°C	RAPID 29'	Quick wash for dishes which are to be washed immediately after the meal. Wash load of 4/6 persons.
	COLD RINSE	Short cold pre-wash for items that are stored in the dishwasher until you are ready to wash a full load.

Check list					Programme contents					Average duration in minutes	Special function buttons available			
Detergent for soaking (Prewash)	Detergent for washing	Clean filter	Check rinse aid dispenser	Check salt container	Hot pre-wash	Cold pre-wash	Main wash	First cold rinse	Second cold rinse	Hot rinse with rinse aid	With cold water (15°C)* -Tolerance ± 10%*	"DELAY START" button	"5 IN 1" button	"BOOST" button

	●	●	●	●		○	65°C	○	○	○	95	YES	YES	YES
●	●	●	●	●	○		75°C	○	○	○	120	YES	YES	YES
●	●	●	●	●	○		70°C			○	59	YES	YES	YES
●	●	●	●	●		○	45°C			○	140	YES	YES	YES
	●	●	●	●		○	45°C	○		○	80	YES	YES	YES
	●	●	●	●			50°C			○	29	YES	YES	N/A
		●									5	YES		N/A

* WITH HOT WATER THE TIME REMAINING UNTIL THE END OF THE PROGRAMME IS AUTOMATICALLY DISPLAYED WHILE THE PROGRAMME IS RUNNING.

N/A = OPTION NOT AVAILABLE

IDENTIFYING MINOR FAULTS

Should the dishwasher fail to operate, before contacting the Service Centre, make the following checks:

FAULT	CAUSE	REMEDY
1 - Machine completely dead	Plug is not connected to wall socket	Connect electric plug
	O/I button has not been pressed	Press button
	Door is open	Close door
	No electricity	Check the fuse in the plug and the electricity supply
2 - Machine does not draw water	See causes for no. 1	Check
	Water tap is turned off	Turn water tap on
	Programme selector is not at correct position	Turn programme selector to correct position
	The inlet hose is bent	Eliminate the bends in the hose
	The inlet hose filter is not correctly connected	Clean the filter at the end of the hose
3 - Machine does not discharge water	Filter is dirty	Clean filter
	Outlet hose is kinked	Straighten outlet hose
	The outlet hose extension is not correctly connected	Follow the instructions for connecting the outlet hose carefully
	The outlet connection on the wall is pointing downwards not upwards	Call a qualified technician
4 - Machine discharges water continuously	Position of outlet hose is too low	Lift outlet hose to at least 40 cm above floor level
5 - Spray arms are not heard to rotate	Excessive amount of detergent	Reduce amount of detergent Use suitable detergent
	Item prevents arms from rotating	Check
	Plate and cup filter very dirty	Clean plate and cup filter
6 - On electronic appliances without a display: one or more indicator lights flashing quickly.	Water inlet tap turned off	Switch off the appliance. Turn on the tap. Re-set the cycle.

FAULT	CAUSE	REMEDY
7 - Load of dishes is only partially washed	See causes for no. 5	Check
	Bottom of saucepans have not been washed well	Burnt on food remains must be soaked before putting pans in dishwasher
	Edge of saucepans have not been washed well	Reposition saucepans
	Spray arms are partially blocked	Remove spray arms by unscrewing ring nuts clockwise and wash under running water
	The dishes have not been properly loaded	Do not place the dishes too closely together
	The end of the outlet hose is in the water	The end of the outlet hose must not come into contact with the outflow water
	The incorrect amount of detergent has been measured out; the detergent is old and hard	Increase the measure according to how dirty the dishes are and change detergent
	The wash programme is not thorough enough	Choose a more vigorous programme
8 - Detergent not dispensed or partially dispensed	The lower basket dishes have not been washed	Depress half load button
	Cutlery, dishes, pans, etc... stop the detergent dispenser opening	Position dishes not to obstruct the dispenser
9 - Presence of white spots on dishes	Water is too hard	Check salt and rinse aid level and regulate amount. Should the fault persist, Contact Service Centre
10 - Noise during wash	The dishes knock against one another	Re-check loading of dishes in the basket
	The revolving arms knock against the dishes	Again re-check loading
11 - The dishes are not completely dry	Inadequate air flow	Leave the dishwasher door ajar at the end of the wash program to allow the dishes to dry naturally
	Rinse aid missing	Fill the rinse aid dispenser

N.B.: Should any of the situations occur and should the machine give a bad wash performance, it is necessary to remove the deposits from the dishes by hand since the final drying cycle hardens the deposits which a second wash in the machine would not be able to remove.

If the malfunction continues contact a Service Centre quoting the serial number of the dishwasher. This is found on the plaque on the inside of the dishwasher door at the top or on the guarantee. This information will make it possible to take more effective action more quickly.

The manufacturers decline any responsibility for any printing mistakes in this instruction booklet. They also reserve the right to modify their own appliances as necessary without altering the essential characteristics.

Your Guarantee

Hoover guarantees all parts of this product for 5 years from the date of purchase. During that time Hoover will replace or repair all defective parts free of charge, except for parts subject to fair wear and tear such as belts. The call out fee and labour costs are chargeable after the first 12 months. To qualify for benefits under the guarantee, you must be able to provide proof of date of purchase and the appliance must have been installed and used in accordance with the instructions described in this manual. Consequential losses and accidental damage to the machine is not covered by the guarantee.

Hoover cannot be responsible for the results of using this machine for any purposes other than those described in this manual.

This guarantee does not effect your statutory or common law rights.

For service and repairs please call our national number:

GIAS Service - Tel: 08705 400 600
Support Service [Eire 018301 666]

Always use genuine Hoover spares, available direct from GIAS Service:

Hoover Spares Service
Tel: 01204 556111

Hoovercare

To maintain your Hoover product in peak condition you may wish to take out a Hoovercare policy, which for an annual payment provides a comprehensive maintenance and repair scheme. For more information please call 08705 400 600.

The Hoovercare scheme is not available in Eire.

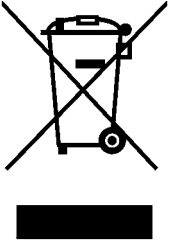
The manufacturer declines all responsibility in the event of any printing mistakes in this booklet. The manufacturer also reserves the right to make appropriate modifications to its products without changing the essential characteristics.

This appliance is marked according to the European directive 2002/96/EC on Waste Electrical and Electronic Equipment (WEEE).

By ensuring this product is disposed of correctly, you will help prevent potential negative consequences for the environment and human health, which could otherwise be caused by inappropriate waste handling of this product.

The symbol on the product indicates that this product may not be treated as household waste. Instead it shall be handed over to the applicable collection point for the recycling of electrical and electronic equipment. Disposal must be carried out in accordance with local environmental regulations for waste disposal.

For more detailed information about treatment, recovery and recycling of this product, please contact your local city office, your household waste disposal service or the shop where you purchased the product.

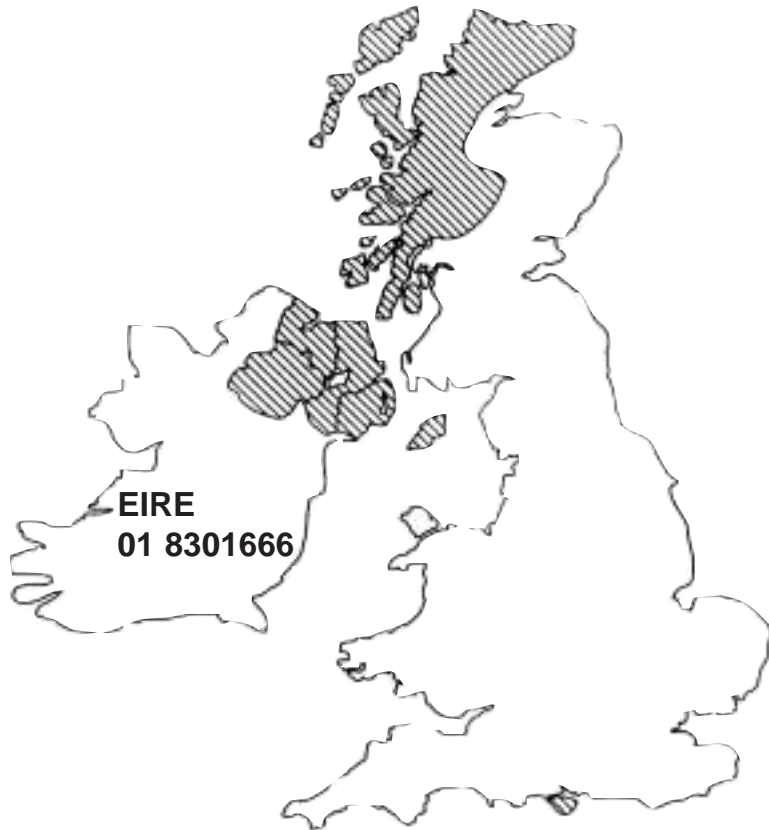


The manufacturer declines all responsibility in the event of any printing mistakes in this booklet. The manufacturer also reserves the right to make appropriate modifications to its products without changing the essential characteristics.

HOOVER SERVICE

FOR YOUR LOCAL ENGINEER PLEASE CALL OUR NATIONAL NUMBER

08705-400600



EN

06.11 - 41023073 - www.graficaestampa.it - Printed in Italy - Imprimé en Italie



Areas covered by HOOVER SERVICE DEALERS
Also Channel Islands, Scilly Isles, Orkney, Shetlands
See local telephone directory

Hoover policy is one of continuous development and for this reason
we reserve the right to change specifications without prior notice

