

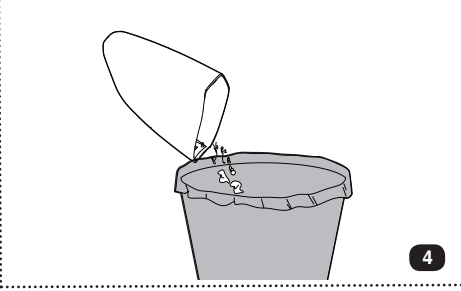
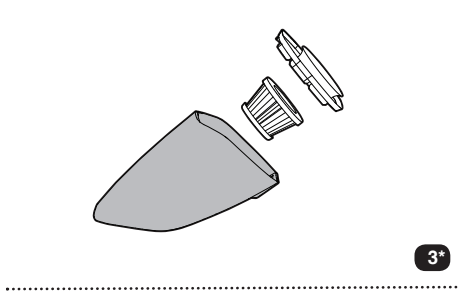
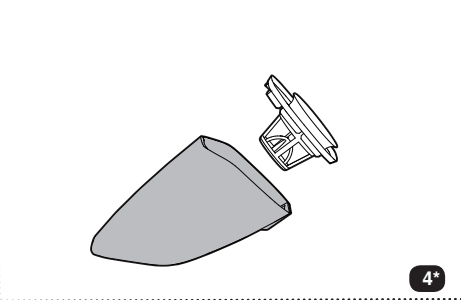
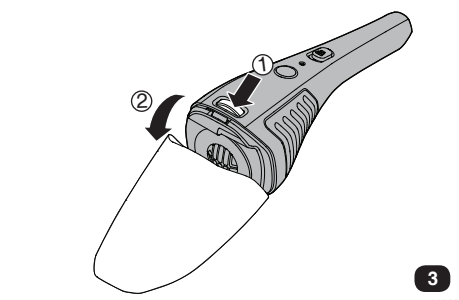
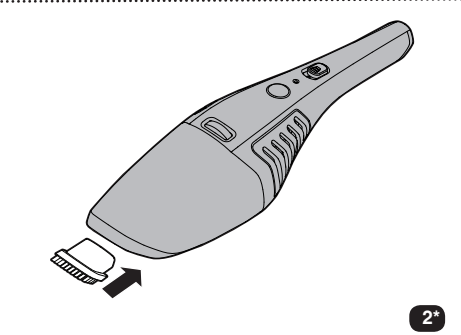
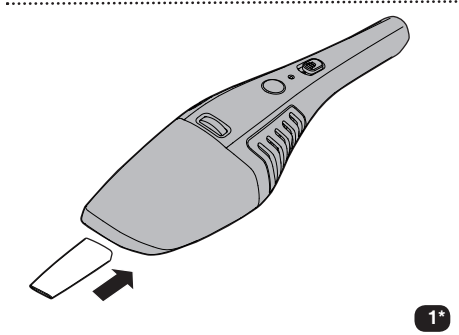
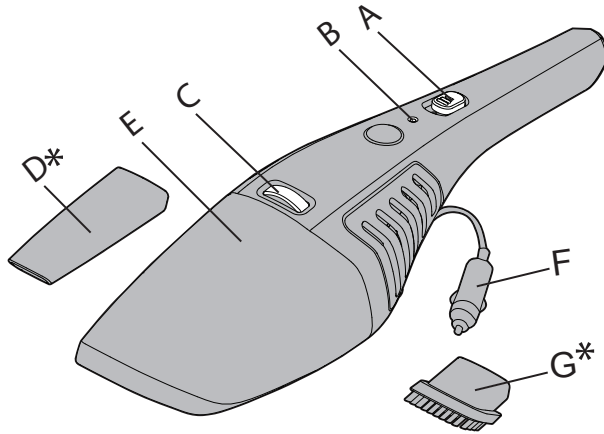
HOOVER

USER MANUAL



GENERATION FUTURE





*Certain Models only



INSTRUCTIONS FOR SAFE USE

This appliance should only be used for domestic cleaning, as described in this user guide. Please ensure that this guide is fully understood before operating the appliance.

Always switch off and remove the car plug from the socket before cleaning the appliance or any maintenance task.

This appliance can be used by children aged from 8 years and above and persons with reduced physical, sensory or mental capabilities or lack of experience and knowledge if they have been given supervision or instruction concerning use of the appliance in a safe way and understand the hazards involved. Children shall not play with the appliance. Cleaning and user maintenance shall not be made by children without supervision.

If the power cord or plug is damaged stop using the appliance immediately. To avoid a safety hazard, an authorised Hoover service engineer must replace the power cord and plug.

Never touch the appliance with wet hands.

Use only attachments, consumables or spares recommended or supplied by Hoover.

Do frequently clean the dust bin and filter assembly when picking up fine powder.

Do not pick up liquids, hard or sharp objects, matches, hot ashes, cigarette ends or other similar items.

Do not spray with or pick up flammable liquids, cleaning fluids, aerosols or their vapours.

Do not continue to use your appliance if it appears faulty.

Hoover service: To ensure the continued safe and efficient operation of this appliance we recommend that any servicing or repairs are only carried out by an authorised Hoover service engineer.

Do not use the appliance to clean animals or people.

Do not unplug the car plug by pulling on the power cord.



Do not use your appliance out of vehicle or on any wet surface or for wet pickup.

The Car cleaner model does NOT contain batteries and can only be operated via a car battery rated at 12V D.C. This model is supplied with a cord fitted with a plug only suitable for insertion into a car cigarette/cigar lighter socket supplied by the car battery (on some cars this is now labelled Power Outlet). The red indicator light is On when the ON/OFF switch is in the On position.

The Environment

The symbol on this appliance indicates that this appliance may not be treated as household waste. Instead it must be handed over to the applicable collection point for the recycling of electrical and electronic equipment. Disposal must be carried out in accordance with local environmental regulations for waste disposal. For more detailed information about treatment, recovery and recycling of this appliance, please contact your local city office, your household and waste disposal service or the shop where you purchased the appliance.



CE This product complies with the European Directives 2014/35/EU, 2014/30/EU and 2011/65/EU.

CANDY HOOVER GROUP S.r.l. Via Privata Eden Fumagalli, 20861 Brugherio (MB) Italy



FEATURES

- A. On/off Switch
- B. On/off Indicator
- C. Dust Container Release Button
- D. Crevice Tool*
- E. Dust Container
- F. Car Plug
- G. Dusting Brush*

HOW TO USE

TO USE: Insert Car Plug into Car Supply (DC 12V). Slide the power switch to the ON position. Empty and clean the unit and filter after each use or when the unit becomes full.

ATTACHMENTS

Crevice Tool*

Fit the crevice tool onto the dust cup to clean corners and hard to reach areas. [1]

Dusting Brush*

Fit the dusting brush onto the dust cup to clean keyboards and other delicate areas. [2]

DUST CONTAINER & FILTER: REMOVAL and REPLACEMENT

IMPORTANT: FOR BEST RESULTS CLEAN THE FILTER AFTER EACH USE

Depress the release button and remove dust cup assembly. [3]

Hold dust container over waste bin and gently remove filter or HEPA filter*. [4,5]

Empty dust container. Brush the dust and dirt off the Filter* /HEPA filter* or shake the filter inside the waste bin. [6]

The Filter* may be washed in warm soapy water, make sure the Filter* is completely dry before replacing in your cleaner.

The HEPA filter* should be washed in warm water only. Do not use any detergent, make sure the HEPA filter* is completely dry before replacing in your cleaner.

Replace the filter*/HEPA Filter* into the dust container and re-assemble the dust container to the cleaner

NOTE: Should you experience any difficulties in dismantling the unit or for more detailed information about treatment, recovery and recycling of this product, please contact your local city office, your household waste disposal service.

YOUR GUARANTEE

The guarantee conditions for this appliance are as defined by our representative in the country in which it is sold. Details regarding these conditions can be obtained from the dealer from whom the appliance was purchased. The bill of sale or receipt must be produced when making any claim under the terms of this guarantee.

HOOVER spares and Consumables

Always replace parts with genuine HOOVER spares. These are available from your local HOOVER dealer or direct from HOOVER. When ordering parts always quote your model number.

- | | |
|--------------|-----------------|
| Cloth filter | - T110 35601348 |
| HEPA Filter | - T111 35601349 |

*Certain Models only



®

GENERATION FUTURE



PRINTED IN P.R.C
48020783

